

WR 25SE

INSTRUCTION MANUAL AND SAFETY INSTRUCTIONS

WARNING

IMPROPER OR UNSAFE use of this power tool can result in death or serious bodily injury! This manual contains important information about product safety. Please read and understand this manual **BEFORE** operating the power tool. Please keep this manual available for other users and owners before they use the power tool. This manual should be stored in safe place.

INSTRUCTIONS DE SECURITE ET MODE D'EMPLOI

AVERTISSEMENT

Une utilisation **INCORRECTE OU DANGEREUSE** de cet outil motorisé peut entraîner la mort ou de sérieuses blessures corporelles!
Ce mode d'emploi contient d'importantes informations à propos de la sécurité de ce produit. Prière de lire et de comprendre ce mode d'emploi **AVANT** d'utiliser l'outil motorisé. Garder ce mode d'emploi à la disponibilité des autres utilisateurs et propriétaires avant qu'ils utilisent l'outil motorisé. Ce mode d'emploi doit être conservé dans un endroit sûr.

INSTRUCCIONES DE SEGURIDAD Y MANUAL DE INSTRUCCIONES

ADVERTENCIA

¡La utilización **INAPROPIADA O PELIGROSA** de esta herramienta eléctrica puede resultar en lesiones de gravedad o la muerte!
Este manual contiene información importante sobre la seguridad del producto. Lea y comprenda este manual **ANTES** de utilizar la herramienta eléctrica. Guarde este manual para que puedan leerlo otras personas antes de utilizar la herramienta eléctrica. Este manual debe ser guardado en un lugar seguro.



DOUBLE INSULATION
DOUBLE ISOLATION
AISLAMIENTO DOBLE

CONTENTS

English		Page		Page
	IMPORTANT SAFETY INFORMATION	3	ASSEMBLY AND OPERATION	8
	MEANINGS OF SIGNAL WORDS	3	APPLICATIONS	8
			PRIOR TO OPERATION	8
	SAFETY	3	HOW TO USE	9
	GENERAL POWER TOOL SAFETY WARNINGS ...	3	OPERATIONAL CAUTIONS.....	10
	SPECIFIC SAFETY RULES AND SYMBOLS	4	MAINTENANCE AND INSPECTION	12
	DOUBLE INSULATION FOR SAFER		ACCESSORIES	13
	OPERATION	5	OPTIONAL ACCESSORIES	13
	FUNCTIONAL DESCRIPTION	7	PARTS LIST	41
	NAME OF PARTS	7		
	SPECIFICATIONS	7		

TABLE DES MATIÈRES

Français		Page		Page
	INFORMATIONS IMPORTANTES DE SÉCURITÉ.....	15	SPECIFICATIONS	19
	SIGNIFICATION DES MOTS		ASSEMBLAGE ET FONCTIONNEMENT ...	20
	D'AVERTISSEMENT	15	APPLICATIONS	20
	SECURITE	15	AVANT L'UTILISATION	20
	AVERTISSEMENTS DE SÉCURITÉ GÉNÉRAUX		UTILISATION	21
	CONCERNANT LES OUTILS ÉLECTRIQUES	15	PRECAUTIONS POUR L'UTILISATION	22
	REGLES DE SECURITE SPECIFIQUES ET SYMBOLES ...	17	ENTRETIEN ET INSPECTION	25
	DOUBLE ISOLATION POUR UN		ACCESSOIRES	26
	FONCTIONNEMENT PLUS SUR	18	ACCESSOIRES SUR OPTION	26
	DESCRIPTION FONCTIONNELLE	19	LISTA DES PIÈCES	41
	NOM DES PARTIES	19		

ÍNDICE

Español		Página		Página
	INFORMACIÓN IMPORTANTE SOBRE SEGURIDAD	28	ESPECIFICACIONES	32
	SIGNIFICADO DE LAS PALABRAS DE		MONTAJE Y OPERACIÓN	33
	SEÑALIZACIÓN	28	APLICACIONES	33
	SEGURIDAD	28	ANTES DE LA OPERACIÓN	33
	ADVERTENCIAS DE SEGURIDAD GENERAL DE LA		COMO SE USA	34
	HERRAMIENTA ELÉCTRICA	28	PRECAUCIONES DURANTE LA OPERACION ...	35
	NORMAS Y SÍMBOLOS ESPECÍFICOS DE SEGURIDAD	30	MANTENIMIENTO E INSPECCIÓN	38
	AISLAMIENTO DOBLE PARA OFRECER UNA		ACCESORIOS	39
	OPERACIÓN MÁS SEGURA	31	ACCESORIOS OPCIONALES	39
	DESCRIPCIÓN FUNCIONAL	32	LISTA DE PIEZAS	41
	NOMENCLATURA	32		

IMPORTANT SAFETY INFORMATION

Read and understand all of the safety precautions, warnings and operating instructions in the Instruction Manual before operating or maintaining this power tool.

Most accidents that result from power tool operation and maintenance are caused by the failure to observe basic safety rules or precautions. An accident can often be avoided by recognizing a potentially hazardous situation before it occurs, and by observing appropriate safety procedures.

Basic safety precautions are outlined in the "SAFETY" section of this Instruction Manual and in the sections which contain the operation and maintenance instructions.

Hazards that must be avoided to prevent bodily injury or machine damage are identified by WARNINGS on the power tool and in this Instruction Manual.

NEVER use this power tool in a manner that has not been specifically recommended by metabo HPT.

MEANINGS OF SIGNAL WORDS

WARNING indicates a potentially hazardous situations which, if ignored, could result in death or serious injury.

CAUTION indicates a potentially hazardous situations which, if not avoided, may result in minor or moderate injury, or may cause machine damage.

NOTE emphasizes essential information.

SAFETY

GENERAL POWER TOOL SAFETY WARNINGS

WARNING:

Read all safety warnings and all instructions.

Failure to follow the warnings and instructions may result in electric shock, fire and/or serious injury.

Save all warnings and instructions for future reference.

The term "power tool" in the warnings refers to your mains-operated (corded) power tool or battery-operated (cordless) power tool.

- 1) **Work area safety**
 - a) **Keep work area clean and well lit.**
Cluttered or dark areas invite accidents.
 - b) **Do not operate power tools in explosive atmospheres, such as in the presence of flammable liquids, gases or dust.**
Power tools create sparks which may ignite the dust or fumes.
 - c) **Keep children and bystanders away while operating a power tool.**
Distractions can cause you to lose control.
- 2) **Electrical safety**
 - a) **Power tool plugs must match the outlet. Never modify the plug in any way. Do not use any adapter plugs with earthed (grounded) power tools.**
Unmodified plugs and matching outlets will reduce risk of electric shock.
 - b) **Avoid body contact with earthed or grounded surfaces such as pipes, radiators, ranges and refrigerators.**
There is an increased risk of electric shock if your body is earthed or grounded.
- 3) **Personal safety**
 - a) **Stay alert, watch what you are doing and use common sense when operating a power tool. Do not use a power tool while you are tired or under the influence of drugs, alcohol or medication.**
 - b) **Do not expose power tools to rain or wet conditions.**
Water entering a power tool will increase the risk of electric shock.
 - d) **Do not abuse the cord. Never use the cord for carrying, pulling or unplugging the power tool. Keep cord away from heat, oil, sharp edges or moving parts.**
Damaged or entangled cords increase the risk of electric shock.
 - e) **When operating a power tool outdoors, use an extension cord suitable for outdoor use.**
Use of a cord suitable for outdoor use reduces the risk of electric shock.
 - f) **If operating a power tool in a damp location is unavoidable, use a residual current device (RCD) protected supply.**
Use of an RCD reduces the risk of electric shock.

A moment of inattention while operating power tools may result in serious personal injury.

- b) **Use personal protective equipment. Always wear eye protection.**

Protective equipment such as dust mask, non-skid safety shoes, hard hat, or hearing protection used for appropriate conditions will reduce personal injuries.

- c) **Prevent unintentional starting. Ensure the switch is in the off-position before connecting to power source and/or battery pack, picking up or carrying the tool.**

Carrying power tools with your finger on the switch or energising power tools that have the switch on invites accidents.

- d) **Remove any adjusting key or wrench before turning the power tool on.**

A wrench or a key left attached to a rotating part of the power tool may result in personal injury.

- e) **Do not overreach. Keep proper footing and balance at all times.**

This enables better control of the power tool in unexpected situations.

- f) **Dress properly. Do not wear loose clothing or jewellery. Keep your hair, clothing and gloves away from moving parts.**

Loose clothes, jewellery or long hair can be caught in moving parts.

- g) **If devices are provided for the connection of dust extraction and collection facilities, ensure these are connected and properly used.**

Use of dust collection can reduce dust-related hazards.

- 4) **Power tool use and care**

- a) **Do not force the power tool. Use the correct power tool for your application.**

The correct power tool will do the job better and safer at the rate for which it was designed.

- b) **Do not use the power tool if the switch does not turn it on and off.**

Any power tool that cannot be controlled with the switch is dangerous and must be repaired.

- c) **Disconnect the plug from the power source and/or the battery pack from the power tool before making any adjustments, changing accessories, or storing power tools.**

Such preventive safety measures reduce the risk of starting the power tool accidentally.

- d) **Store idle power tools out of the reach of children and do not allow persons unfamiliar with the power tool or these instructions to operate the power tool.**

Power tools are dangerous in the hands of untrained users.

- e) **Maintain power tools. Check for misalignment or binding of moving parts, breakage of parts and any other condition that may affect the power tool's operation.**

If damaged, have the power tool repaired before use.

Many accidents are caused by poorly maintained power tools.

- f) **Keep cutting tools sharp and clean.**

Properly maintained cutting tools with sharp cutting edges are less likely to bind and are easier to control.

- g) **Use the power tool, accessories and tool bits etc. in accordance with these instructions, taking into account the working conditions and the work to be performed.**

Use of the power tool for operations different from those intended could result in a hazardous situation.

- 5) **Service**

- a) **Have your power tool serviced by a qualified repair person using only identical replacement parts.**

This will ensure that the safety of the power tool is maintained.

SPECIFIC SAFETY RULES AND SYMBOLS

- 1. **Hold power tools by insulated gripping surfaces, when performing an operation where the fastener may contact hidden wiring or its own cord.**

Fasteners contacting a "live" wire may make exposed metal parts of the power tool "live" and could give the operator an electric shock.

- 2. **Wear ear protectors.**

Exposure to noise can cause hearing loss.



- 3. **Use auxiliary handles, if supplied with the tool.**

Loss of control can cause personal injury.

- 4. **NEVER** touch the tool bit with bare hands after operation.

- 5. **NEVER** wear gloves made from materials likely to roll up such as cotton, wool, cloth or string, etc.

- 6. **ALWAYS** attach the side handle and securely grip the Impact Wrench.

- 7. **NEVER touch moving parts.**

NEVER place your hands, fingers or other body parts near the tool's moving parts.

- 8. **NEVER operate without all guards in place.**

NEVER operate this tool without all guards or safety features in place and in proper working order. If maintenance or servicing requires the removal of a guard or safety feature, be sure to replace the guard or safety feature before resuming operation of the tool.

- 9. **Use right tool.**

Don't force small tool or attachment to do the job of a heavy-duty tool.

Don't use tool for purpose not intended — for example — don't use circular saw for cutting tree limbs or logs.

10. NEVER use a power tool for applications other than those specified.

NEVER use a power tool for applications other than those specified in the Instruction Manual.

11. Handle tool correctly.

Operate the tool according to the instructions provided herein. Do not drop or throw the tool. NEVER allow the tool to be operated by children, individuals unfamiliar with its operation or unauthorized personnel.

12. Keep all screws, bolts and covers tightly in place.

Keep all screws, bolts, and plates tightly mounted. Check their condition periodically.

13. Do not use power tools if the plastic housing or handle is cracked.

Cracks in the tool's housing or handle can lead to electric shock. Such tools should not be used until repaired.

14. Blades and accessories must be securely mounted to the tool.

Prevent potential injuries to yourself or others. Blades, cutting implements and accessories which have been mounted to the tool should be secure and tight.

15. Keep motor air vent clean.

The tool's motor air vent must be kept clean so that air can freely flow at all times. Check for dust build-up frequently.

16. Operate power tools at the rated voltage.

Operate the power tool at voltages specified on its nameplate.

If using the power tool at a higher voltage than the rated voltage, it will result in abnormally fast motor revolution and may damage the unit and the motor may burn out.

17. NEVER use a tool which is defective or operating abnormally.

If the tool appears to be operating unusually, making strange noises, or otherwise appears defective, stop using it immediately and arrange for repairs by a metabo HPT authorized service center.

18. NEVER leave tool running unattended. Turn power off.

Don't leave tool until it comes to a complete stop.

19. Carefully handle power tools.

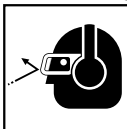
Should a power tool be dropped or struck against hard materials inadvertently, it may be deformed, cracked, or damaged.

20. Do not wipe plastic parts with solvent.

Solvents such as gasoline, thinner benzine, carbon tetrachloride, and alcohol may damage and crack plastic parts. Do not wipe them with such solvents.

Wipe plastic parts with a soft cloth lightly dampened with soapy water and dry thoroughly.

21. ALWAYS wear eye protection that meets the requirement of the latest revision of ANSI Standard Z87.1.



22. When working in high places, check there is nobody below. During operation, take care not to catch or tighten the cord accidentally.

23. Switch the reversing switch only after the motor is stopped when it is necessary to change the direction of the rotation.

24. Use a step up transformer when a long extension cable is used.

25. Confirm the tightening torque by a torque wrench before use in order to ascertain the correct tightening torque to be used.

26. Attach the hex. socket securely onto the anvil. If the hex. socket is insufficiently secured, it may drop out and cause an accident. For hex. socket attachment refer to "PRIOR TO OPERATION" on page 8.

27. Confirm whether the socket has any crack in it.

28. Definitions for symbols used on this tool


V.....volts

Hz.....hertz

A.....amperes

n_0 no load speed


W.....watt

Class II Construction

---/min.....revolutions per minute

~.....Alternating current

DOUBLE INSULATION FOR SAFER OPERATION

To ensure safer operation of this power tool, metabo HPT has adopted a double insulation design. "Double insulation" means that two physically separated insulation systems have been used to insulate the electrically conductive materials connected to the power supply from the outer frame handled by the operator. Therefore, either the symbol  or the words "Double insulation" appear on the power tool or on the nameplate.

Although this system has no external grounding, you must still follow the normal electrical safety precautions given in this Instruction Manual, including not using the power tool in wet environments.

To keep the double insulation system effective, follow these precautions:

○ Only metabo HPT AUTHORIZED SERVICE CENTER should disassemble or assemble this power tool, and only genuine metabo HPT replacement parts should be installed.

○ Clean the exterior of the power tool only with a soft cloth moistened with soapy water, and dry thoroughly. Never use solvents, gasoline or thinners on plastic components; otherwise the plastic may dissolve.

**SAVE THESE INSTRUCTIONS
AND
MAKE THEM AVAILABLE TO
OTHER USERS
AND
OWNERS OF THIS TOOL!**

FUNCTIONAL DESCRIPTION

NOTE:

The information contained in this Instruction Manual is designed to assist you in the safe operation and maintenance of the power tool.

NEVER operate, or attempt any maintenance on the tool unless you have first read and understood all safety instructions contained in this manual.

Some illustrations in this Instruction Manual may show details or attachments that differ from those on your own power tool.

NAME OF PARTS

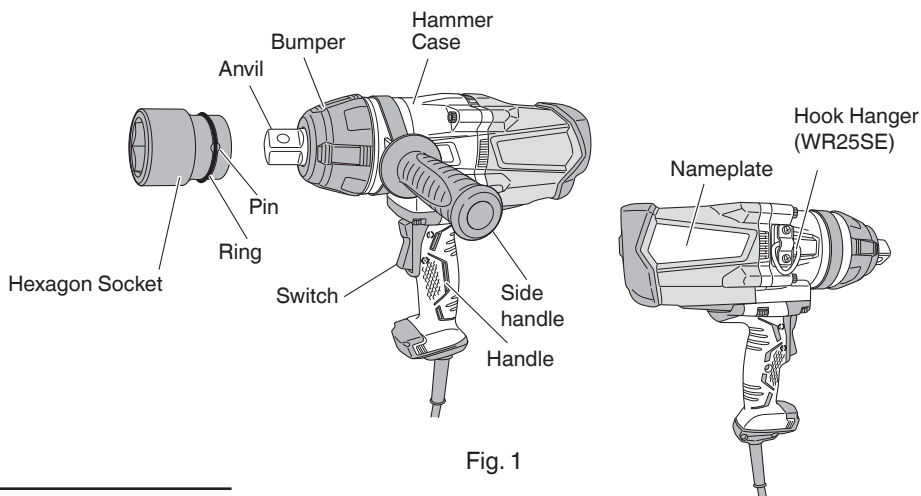


Fig. 1

SPECIFICATIONS

		WR22SE	WR25SE
Motor		Brushless motor	
Power Source		Single-Phase, 120 V AC 60 Hz	
Current		8.3 A	9.4 A
No-Load Speed		1,400/min.	1,100/min.
Impact rate		2,000/min.	1,500/min.
Capacities	High tension bolt	5/8" – 7/8" (M16 – M22)	7/8" – 15/16" (M22 – M24)
	Ordinary bolt	9/16" – 15/16" (M14 – M24)	7/8" – 15/16" (M22 – M30)
Tightening Torque		460 ft-lbs (620 N·m)	740 ft-lbs (1,000 N·m)
Square Drive		3/4" (19 mm)	1" (25.4 mm)
Weight		10.1 lbs (4.6 kg)	17 lbs (7.7 kg)

ASSEMBLY AND OPERATION

APPLICATIONS

- Tightening and loosening various kinds of bolts and nuts.

PRIOR TO OPERATION

1. Power source
Ensure that the power source to be utilized conforms to the power source requirements specified on the product nameplate.
2. Power switch
Ensure that the switch is in the OFF position. If the plug is connected to a receptacle while the switch is in the ON position, the power tool will start operating immediately and can cause serious injury.
3. Extension cord
When the work area is far away from the power source, use an extension cord of sufficient thickness and rated capacity. The extension cord should be kept as short as practicable.



⚠ WARNING:
Damaged cord must be replaced or repaired.

4. Check the receptacle
If the receptacle only loosely accepts the plug, the receptacle must be repaired. Contact a licensed electrician to make appropriate repairs.
If such a faulty receptacle is used, it may cause overheating, resulting in a serious hazard.
5. Confirming condition of the environment
Confirm that the work site is placed under appropriate conditions conforming to prescribed precautions.
6. Mounting the side handle
After loosening the handle, slide it over the main unit and tighten the handle to secure it. When sliding over the main unit, make sure to align the unit's protrusion with the side handle's slot. (Fig. 2)

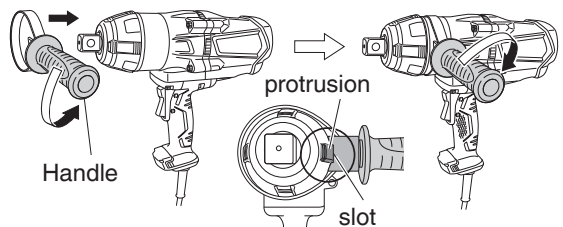


Fig. 2

7. Mounting the socket

(1) WR22SE: Plunger type (Fig. 3)

Align the plunger located in the square part of the anvil with the hole in the hex. socket. Then push the plunger, and mount the hex. socket on the anvil. Check that the plunger is fully engaged in the hole. When removing the socket, reverse the sequence.

(2) WR25SE: Pin, O-ring type (Fig. 4)

Select a socket matched to the bolt to be tightened or loosened. Insert the socket on the anvil of the wrench, and secure it with the pin and ring. When dismantling the socket, reverse the sequence.

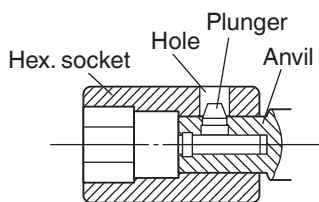


Fig. 3

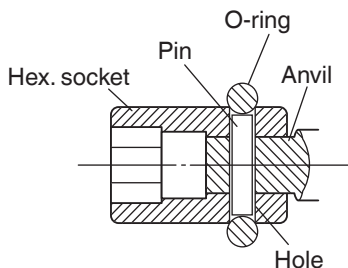


Fig. 4

HOW TO USE

1. Operation of switch (Fig. 5)

The switch in this machine functions as a motor switch and rotational direction selector switch. When the switch is set to R indicated on the handle cover, the motor rotates clockwise to tighten the bolt. When the switch is set to L, the motor rotates counterclockwise to loosen the bolt. When the switch is released, the motor stops.

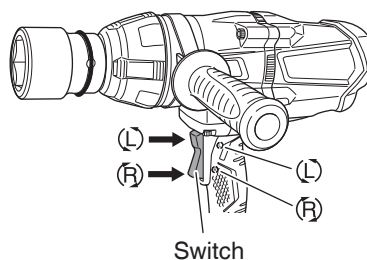


Fig. 5

⚠ CAUTION:

Be sure to turn the switch OFF and wait until the motor completely stops before changing the direction of wrench revolution. Switching while the motor is rotating will result in burning the motor.

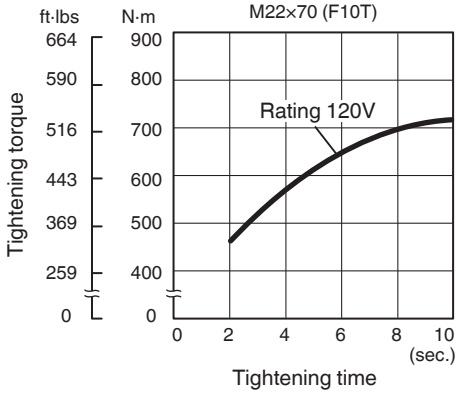
2. Tightening and loosening bolts

A hex. socket matching the bolt or nut must first be selected. Then mount the socket on the anvil, and grip the nut to be tightened with the hex. socket. Holding the wrench in line with the bolt, press the power switch to impact the nut for several seconds. If the nut is only loosely fitted to the bolt, the bolt may turn with the nut, therefore preventing proper tightening. In this case, stop impact on the nut and hold the bolt head with a wrench before restarting impact, or manually tighten the bolt and nut to prevent them slipping.

OPERATIONAL CAUTIONS

1. Do not touch the bumper or hammer case during continuous operation
The bumper and hammer case become hot during continuous screw tightening so be careful not to touch them at that time.
2. Work at a tightening torque suitable for the bolt under impact
The optimum tightening torque for nuts and bolts differs with material and size of the nuts and bolts. An excessively large tightening torque for a small bolt may stretch or break the bolt. The tightening torque increases proportionally to the operating time. Use the correct operating time for the bolt.
3. Selecting the socket to be matched to the bolt
Be sure to use a socket which is matched to the bolt to be tightened. Using an improper socket will result not only in insufficient tightening but also in damage to the socket or nut. A worn or deformed hex. or square-holed socket will not give an adequate tightness for fitting to the nut or anvil, consequently resulting in loss of tightening torque.
Pay attention to wear of socket holes, and replace before further wear has developed. Matching socket and bolt sizes are shown in Table 2.
The numerical value of a socket designation denotes the side-to-side distance (S) of its hex. hole.
4. Holding the tool
Hold the Impact Wrench firmly with both hands by the body handle and the side handle. In this case hold the wrench in line with the bolt.
It is not necessary to push the wrench very hard. Hold the wrench with a force just sufficient to counteract the impact force.
5. Confirm the tightening torque
The following factors contribute to a reduction of the tightening torque. So confirm the actual tightening torque needed by screwing up some bolts before the job with a hand torque wrench.
Factors affecting the tightening torque are as follows.
 - (1) Line voltage:
The tightening torque decreases when the line voltage becomes low.
 - (2) Operating time:
The tightening torque increases when the operating time increases. But the tightening torque does not increase above a certain value even if the tool is driven for a long time. (See Fig. 6)

WR22SE



WR25SE

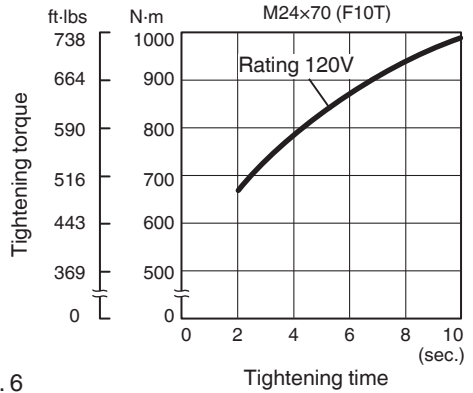


Fig. 6

(3) Diameter of bolt:

The tightening torque differs with the diameter of the bolt. Generally a larger diameter bolt has a larger tightening torque.

(4) Tightening conditions:

The tightening torque differs according to the torque ratio; class, and length of bolts even when bolts with the same size threads are used. The tightening torque also differs according to the condition of the surface of metal through which the bolts are to be tightened.

(5) Using optional parts:

The tightening torque is reduced a little when an extension bar, universal joint or a long socket is used.

(6) Clearance of the socket:

A worn or deformed hex. or a square-holed socket will not give an adequate tightness to the fitting between the nut or anvil, consequently resulting in loss of tightening torque.

Using an improper socket which does not match to the bolt will result in an insufficient tightening torque. Matching socket and bolt sizes are shown in Table 2.

6. The protection function

To protect the tool, the protection function will be activated, automatically shutting down the unit in the event of any problems. Table 1 describes each situation for which the aforementioned may occur.

Table 1

Indicated Situation
Automatic shutdown initiated by excessive load (*1)
Automatic shutdown initiated due to the tool's internal temperature exceeding the specified temperature level (*2)

*1 Excessive load protection function

For excessive load conditions, the tool will shutdown to prevent damage.

Discontinue the heavy load task and unplug the power cord from the outlet. When the cord is plugged back in, the tool will recover.

*2 Increased temperature protection function

Automatic shutdown is activated to prevent damage from high temperatures.

The tool's internal temperature will increase for tasks involving the use of large currents of electricity, or when used in high temperature environments.

In such cases, let the tool cool down for 10 to 15-minutes before continuing use.

7. Using the hook hanger (WR25SE) (Fig. 7)

When using the hook hanger, make sure the rope or wire is securely fastened to the hanger.

CAUTION:

Always make sure to use a rope or wire with sufficient strength to support the weight of the main unit and withstand impact from dropping.

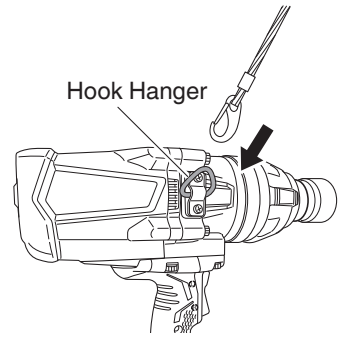


Fig. 7

MAINTENANCE AND INSPECTION

WARNING: Be sure to switch power OFF and disconnect the plug from the receptacle during maintenance and inspection.

1. Inspecting the socket

A worn or deformed hex. or a square-holed socket will not give an adequate tightness to the fitting between the nut or anvil, consequently resulting in loss of tightening torque. Pay attention to wear of socket holes periodically, and replace with a new one if needed.

2. Inspecting the screws

Regularly inspect all screws and ensure that they are properly tightened. Should any of the screws be loosened, retighten them immediately.

WARNING: Using this impact wrench with loosen screws is extremely dangerous.

3. Maintenance of the motor

The motor unit winding is the very “heart” of the power tool. Exercise due care to ensure the winding does not become damaged and/or wet with oil or water.

4. Service and repairs

All quality power tools will eventually require servicing or replacement of parts because of wear from normal use. To assure that only authorized replacement parts will be used, all service and repairs must be performed by a metabo HPT AUTHORIZED SERVICE CENTER, ONLY.

5. Service parts list

⚠ CAUTION: Repair, modification and inspection of metabo HPT Power Tools must be carried out by a metabo HPT Authorized Service Center.

This Parts List will be helpful if presented with the tool to the metabo HPT Authorized Service Center when requesting repair or other maintenance. In the operation and maintenance of power tools, the safety regulations and standards prescribed in each country must be observed.

MODIFICATIONS:

metabo HPT Power Tools are constantly being improved and modified to incorporate the latest technological advancements.

Accordingly, some parts may be changed without prior notice.

ACCESSORIES

⚠ WARNING: ALWAYS use Only authorized metabo HPT replacement parts and accessories. NEVER use replacement parts or accessories which are not intended for use with this tool. Contact metabo HPT if you are not sure whether it is safe to use a particular replacement part or accessory with your tool.

The use of any other attachment or accessory can be dangerous and could cause injury or mechanical damage.

NOTE:

Accessories are subject to change without any obligation on the part of the metabo HPT.

OPTIONAL ACCESSORIES sold separately

1. Variety of sockets

Although the metabo HPT Impact Wrench is delivered with only one standard socket, ample sockets are available to cover impact tightening of various sizes and types of bolts.

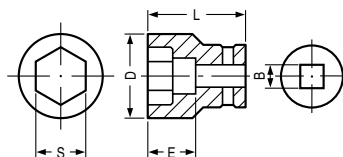


Table 2

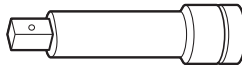
B (mm)	Ordinary Socket					Long Socket				
	Dimension (mm)					Dimension (mm)				
	S	D	E	L	Code No.	S	D	E	L	Code No.
19 [3/4"]	23	38	15	55	874527					
	24	40					24	34	23	60
	26	42	16		874529	26	38	25	85	955034
	27	43			874530	27	39	26	85	955035
	30	47	19		874532	30	43	26	85	955037
	32	50			874523	32	46	26	100	955038
	35	52			874533					
	36	55			874534	36	55	26	55	955092
25.4 [1"]	36	58	40	72	956080					
	41	63	38	68	873636					

2. Extension bar : Code No. 873633

The extension bar is convenient for working in very restricted spaces or when the socket provided cannot reach the bolt to be tightened.

⚠ CAUTION:

When the extension bar is used the tightening torque is reduced slightly compared with the ordinary socket. So it is necessary to operate the tool a little longer to get the same torque.



NOTE:

Specifications are subject to change without any obligation on the part of the metabo HPT.

INFORMATIONS IMPORTANTES DE SÉCURITÉ

Lire et comprendre toutes les précautions de sécurité, les avertissements et les instructions de fonctionnement dans ce mode d'emploi avant d'utiliser ou d'entretenir cet outil motorisé.

La plupart des accidents causés lors de l'utilisation ou de l'entretien de l'outil motorisé proviennent d'un non respect des règles ou précautions de base de sécurité. Un accident peut la plupart du temps être évité si l'on reconnaît une situation de danger potentiel avant qu'elle ne se produise, et en observant les procédures de sécurité appropriées.

Les précautions de base de sécurité sont mises en évidence dans la section "SECURITE" de ce mode d'emploi et dans les sections qui contiennent les instructions de fonctionnement et d'entretien.

Les dangers qui doivent être évités pour prévenir des blessures corporelles ou un endommagement de la machine sont identifiés par AVERTISSEMENTS sur l'outil motorisé et dans ce mode d'emploi.

NE JAMAIS utiliser cet outil motorisé d'une manière qui n'est pas spécifiquement recommandée par metabo HPT.

SIGNIFICATION DES MOTS D'AVERTISSEMENT

AVERTISSEMENT indique des situations potentiellement dangereuses qui, si elles sont ignorées, pourraient entraîner la mort ou de sérieuses blessures.

PRECAUTION indique des situations dangereuses potentielles qui, si elles ne sont pas évitées, peuvent entraîner de mineures et légères blessures ou endommager la machine.

REMARQUE met en relief des informations essentielles.

SECURITE

AVERTISSEMENTS DE SÉCURITÉ GÉNÉRAUX CONCERNANT LES OUTILS ÉLECTRIQUES

⚠ AVERTISSEMENT:

Lire tous les avertissements de sécurité et toutes les instructions

Tout manquement à observer ces avertissements et instructions peut engendrer des chocs électriques, des incendies et/ou des blessures graves.

Conservez tous les avertissements et toutes les instructions pour vous y référer ultérieurement.

Le terme "outil électrique", utilisé dans les avertissements, se réfère aux outils électriques (câblé) ou aux outils à piles (sans fil).

1) Sécurité de l'aire de travail

a) Maintenir l'aire de travail propre et bien éclairée.

Les endroits encombrés ou sombres sont propices aux accidents.

b) Ne pas utiliser d'outils électriques en présence de liquides, gaz ou poussière inflammables, au risque de provoquer une explosion.

Les outils électriques créent des étincelles susceptibles d'enflammer la poussière.

c) Ne pas laisser les enfants et les visiteurs s'approcher de vous lorsque vous utilisez un outil électrique.

Les distractions peuvent faire perdre le contrôle.

2) Sécurité électrique

a) Les prises de l'outil électrique doivent correspondre à la prise secteur.

Ne jamais modifier la prise.

Ne pas utiliser d'adaptateurs avec les outils électriques mis à la masse.

Les prises non modifiées et les prises secteurs correspondantes réduisent les risques de choc électrique.

b) Éviter tout contact avec les surfaces mises à la masse telles que les tuyaux, radiateurs, bandes et réfrigérateurs.

Le risque de choc électrique est accru en cas de mise à la masse du corps.

c) Ne pas exposer les outils électriques à la pluie ou à des conditions humides.

Si l'eau pénètre dans l'outil, cela augmente les risques de choc électrique.

d) Ne pas utiliser le cordon à tort. Ne jamais utiliser le cordon pour transporter ou débrancher l'outil électrique.

Maintenir le cordon loin de la chaleur, de l'huile, des bords pointus ou des pièces mobiles.

Les cordons endommagés ou usés augmentent les risques de choc électrique.

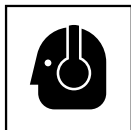
- e) **En cas d'utilisation d'un outil électrique à l'extérieur, utiliser un cordon de rallonge adapté à un usage extérieur.**
L'utilisation d'un cordon adapté à l'usage extérieur réduit les risques de choc électrique.
- f) **Si vous devez utiliser un outil électrique dans un endroit humide, utilisez une alimentation protégée contre les courants résiduels.**
L'utilisation d'un dispositif de protection contre les courants résiduels réduit le risque de choc électrique.
- 3) **Sécurité personnelle**
- a) **Restez alerte, regarder ce que vous faites et usez de votre bon sens en utilisant un outil électrique.**
Ne pas utiliser d'outil électrique si vous êtes sous l'influence de drogues, d'alcool ou de médicaments.
Pendant l'utilisation d'outils électrique, un instant d'inattention peut entraîner des blessures graves.
- b) **Utiliser un équipement de protection individuelle. Toujours porter des verres de protection.**
L'utilisation d'équipements de protection tels que les masques anti-poussière, les chaussures de sécurité anti-dérapantes, les casques ou les protections auditives dans des conditions appropriées réduisent les risques de blessures.
- c) **Empêcher les démarrages intempestifs. Veiller à ce que l'interrupteur soit en position d'arrêt avant de brancher à une source d'alimentation et/ou une batterie, de ramasser l'outil au sol ou de le transporter.**
Transporter les outils électriques avec le doigt sur l'interrupteur ou brancher les outils électriques avec l'interrupteur en position de marche peut entraîner des accidents.
- d) **Retirer toute clé de sécurité ou clé avant de mettre l'outil électrique en marche.**
Laisser une clé ou une clé de sécurité sur une partie mobile de l'outil électrique peut engendrer des blessures.
- e) **Ne pas trop se pencher. Toujours garder une bonne assise et un bon équilibre pendant le travail.**
Cela permet un meilleur contrôle de l'outil électrique dans des situations imprévisibles.
- f) **Porter des vêtements adéquats. Ne pas porter de vêtements amples ni de bijoux. Maintenir les cheveux, les vêtements et les gants loin des pièces mobiles.**
Les vêtements amples ou les cheveux longs peuvent se prendre dans les pièces mobiles.
- g) **En cas de dispositifs destinés au raccordement d'installations d'extraction et de recueil de la poussière, veiller à ce qu'ils soient correctement raccordés et utilisés.**
L'utilisation d'un dispositif de collecte de la poussière peut réduire les dangers associés à la poussière.
- 4) **Utilisation et entretien d'un outil électrique**
- a) **Ne pas forcer sur l'outil électrique. Utiliser l'outil électrique adapté à vos travaux.**
Le bon outil électrique fera le travail mieux et en toute sécurité au régime pour lequel il a été conçu.
- b) **Ne pas utiliser l'outil électrique si l'interrupteur ne le met pas en position de marche et d'arrêt.**
Tout outil ne pouvant être contrôlé par l'interrupteur est dangereux et doit être réparé.
- c) **Débrancher la prise ou retirer la batterie avant de procéder à des réglages, au remplacement des accessoires ou au stockage des outils électriques.**
Ces mesures préventives de sécurité réduisent les risques de démarrage accidentel de l'outil électrique.
- d) **Stockez les outils électriques inutilisés hors de la portée des enfants et ne pas laisser des personnes non familiarisées avec l'outil ou ces instructions utiliser l'outil électrique.**
Les outils électriques sont dangereux entre les mains d'utilisateurs non habilités.
- e) **Entretien des outils électriques. Vérifier l'absence de mauvais alignement ou d'arrêt, d'endommagement de pièces ou toute autre condition susceptible d'affecter l'opération de l'outil.**
Si l'outil est endommagé, le faire réparer avant utilisation.
De nombreux accidents sont dus à des outils mal entretenus.
- f) **Maintenir les outils coupants aiguisés et propres.**
Des outils coupants bien entretenus avec des bords aiguisés sont moins susceptibles de se coincer et plus simples à contrôler.
- g) **Utiliser l'outil électrique, les accessoires et les mèches de l'outil, etc. conformément à ces instructions en tenant compte des conditions d'utilisation et du travail à réaliser.**
L'utilisation de l'outil électrique pour des opérations différentes de celles pour lesquelles il a été conçu est dangereuse.
- 5) **Service**
- a) **Faire entretenir l'outil électrique par un technicien habilité à l'aide de pièces de rechange identiques exclusivement.**
Cela garantira le maintien de la sécurité de l'outil électrique. lesquelles il a été conçu est dangereuse.

REGLES DE SECURITE SPECIFIQUES ET SYMBOLES

1. **Tenir l'outil électrique par les surfaces isolées permettant de l'agripper pour effectuer une opération où coupe/attache peut entrer en contact avec des fils électriques masqués ou son propre cordon.**

Le contact de l'attache avec un fil sous tension peut transmettre du courant dans les pièces métalliques exposées de l'outil et communiquer une décharge électrique à l'opérateur.

2. **Porter des protections anti-bruit.**



L'exposition au bruit peut engendrer une perte de l'audition.

3. **Utilisez les poignées auxiliaires, si fourni avec l'outil.**

Toute perte de contrôle peut entraîner des blessures.

4. **NE JAMAIS** toucher la mèche avec des mains nues après l'utilisation.

5. **NE JAMAIS** porter de gants faits d'une matière qui risque de s'enrouler, comme du coton, de la laine, de la toile ou de la ficelle, etc.

6. **TOUJOURS** fixer la poignée latérale et tenir le clé à choc solidement.

7. **NE JAMAIS toucher les parties mobiles.**

NE JAMAIS placer ses mains, ses doigts ou toute autre partie de son corps près des parties mobiles de l'outil.

8. **NE JAMAIS utiliser l'outil sans que tous les dispositifs de sécurité ne soient en place.**

NE JAMAIS faire fonctionner cet outil sans que tous les dispositifs et caractéristiques de sécurité ne soient en place et en état de fonctionnement. Si un entretien ou une réparation nécessite le retrait d'un dispositif ou d'une caractéristique de sécurité, s'assurer de bien remettre en place le dispositif ou la caractéristique de sécurité avant de recommencer à utiliser l'outil.

9. **Utiliser l'outil correct**

Ne pas forcer sur un petit outil ou accessoire pour faire le travail d'un outil de grande puissance. Ne pas utiliser un outil pour un usage pour lequel il n'a pas été prévu: par exemple, ne pas utiliser une scie circulaire pour couper des branches d'arbre ou des bûches.

10. **NE JAMAIS utiliser un outil motorisé pour des applications autres que celles spécifiées.**

NE JAMAIS utiliser un outil motorisé pour des applications autres que celles spécifiées dans le mode d'emploi.

11. **Manipuler l'outil correctement**

Utiliser l'outil de la façon indiquée dans ce mode d'emploi. Ne pas laisser tomber ou lancer l'outil. **NE JAMAIS** permettre que l'outil soit utilisé par des enfants, des personnes non familiarisées avec son fonctionnement ou un personnel non autorisé.

12. **Maintenir toutes les vis, tous les boulons et les couvercles fermement en place.**

Maintenir toutes les vis, tous les boulons et les couvercles fermement montés. Vérifier leurs conditions périodiquement.

13. **Ne pas utiliser les outils motorisés si le revêtement de plastique ou la poignée est fendu.**

Des fentes dans le revêtement ou la poignée peuvent entraîner une électrocution. De tels outils ne doivent pas être utilisés avant d'être réparé.

14. **Les lames et les accessoires doivent être fermement montés sur l'outil.**

Eviter les blessures potentielles personnelles et aux autres. Les lames, les instruments de coupe et les accessoires qui ont été montés sur l'outil doivent être fixés et serrés fermement.

15. **Garder propres les événements d'air du moteur.**

Les événements d'air du moteur doivent être maintenus propres de façon que l'air puisse circuler librement tout le temps. Vérifier les accumulations de poussière fréquemment.

16. **Utiliser l'outil motorisé à la tension nominale.**

Utiliser l'outil motorisé à la tension spécifiée sur sa plaque signalétique.

Si l'on utilise l'outil motorisé avec une tension supérieure à la tension nominale, il en résultera une rotation anormalement trop rapide du moteur et cela risque d'endommager l'outil et le moteur risque de griller.

17. **NE JAMAIS utiliser un outil défectueux ou qui fonctionne anormalement.**

Si l'outil n'a pas l'air de fonctionner normalement, fait des bruits étranges ou sans cela paraît défectueux, arrêter de l'utiliser immédiatement et le faire réparer par un centre de service metabo HPT autorisé.

18. **NE JAMAIS laisser fonctionner l'outil sans surveillance. Le mettre hors tension.**

Ne pas abandonner l'outil avant qu'il ne soit complètement arrêté.

19. **Manipuler l'outil motorisé avec précaution.**

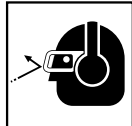
Si un outil motorisé tombe ou frappe un matériau dur accidentellement, il risque d'être déformé, fendu ou endommagé.

20. **Ne pas essuyer les parties en plastique avec du solvant.**

Les solvants comme l'essence, les diluants, la benzine, le tétrachlorure de carbone et l'alcool peuvent endommager et fissurer les parties en plastique. Ne pas les essuyer avec de tels solvants.

Essuyer les parties en plastique avec un chiffon doux légèrement imbibé d'une solution d'eau savonneuse et sécher minutieusement.

21. **TOUJOURS** porter des lunettes de protection qui respectent les dernières révisions du Standard ANSI Z87.1.



22. Lors d'un travail en hauteur, s'assurer qu'il n'y a personne dessous. Pendant le travail, faire attention de ne pas coincer ni serrer le cordon accidentellement.
23. Commuter l'interrupteur d'inversion après avoir arrêté le moteur quand il est nécessaire de changer le sens de rotation.
24. Utiliser un transformateur de relais quand un câble de rallonge est utilisé.
25. Vérifier le couple de serrage l'aide d'une clé dynamométrique avant utilisation afin de s'assurer que le couple utilisé est correct.
26. Pour la fixation de la douille hexagonale, voir "AVANT L'UTILISATION", page 20.
Fixer la douille hexagonale à fond sur la goupille. Si la douille n'est pas suffisamment serrée, elle risque de tomber et de provoquer un accident.
27. Vérifier que la douille n'est pas fissurée.
28. **Définitions pour les symboles utilisés sur cet outil**

V.....volts

Hz.....hertz

A.....ampères

n_ovitesse sans charge

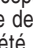
W.....watt

.....Construction de classe II

---/min.....tours par minute

~.....Courant alternatif

DOUBLE ISOLATION POUR UN FONCTIONNEMENT PLUS SUR

Pour assurer un fonctionnement plus sûr de cet outil motorisé, metabo HPT a adopté une conception à double isolation. "Double isolation" signifie que deux systèmes d'isolation physiquement séparés ont été utilisés pour isoler les matériaux conducteurs d'électricité connectés à l'outil motorisé à partir du cadre extérieur manipulé par l'utilisateur. C'est pourquoi, le symbole  ou les mots "Double insulation" (double isolation) apparaissent sur l'outil motorisé ou sur la plaque signalétique.

Bien que ce système n'ait pas de mise à terre extérieure, il est quand même nécessaire de suivre les précautions de sécurité électrique données dans ce mode d'emploi, y-compris de ne pas utiliser l'outil motorisé dans un environnement humide.

Pour garder le système de double isolation effectif, suivre ces précautions:

- Seuls les CENTRES DE SERVICE AUTORISES metabo HPT peuvent démonter et remonter cet outil motorisé et uniquement des pièces de rechange metabo HPT garanties d'origine doivent être utilisées.
- Nettoyer l'extérieur de l'outil motorisé uniquement avec un chiffon doux légèrement imbibé d'une solution savonneuse et essuyer minutieusement. Ne jamais utiliser des solvants, de l'essence ou des diluants sur les parties en plastique; sinon le plastique risquerait de se dissoudre.

**CONSERVER CES INSTRUCTIONS
ET
LES METTRE A LA DISPOSITION
DES AUTRES UTILISATEURS
ET
PROPRIETAIRES DE CET OUTIL!**

DESCRIPTION FONCTIONNELLE

REMARQUE:

Les informations contenues dans ce mode d'emploi sont conçues pour assister l'utilisateur dans une utilisation sans danger et un entretien de l'outil motorisé.

NE JAMAIS utiliser ni entreprendre une révision de l'outil sans avoir d'abord lu et compris toutes les instructions de sécurité contenues dans ce manuel.

Certaines illustrations dans ce mode d'emploi peuvent montrer des détails ou des accessoires différents de ceux de l'outil motorisé utilisé.

NOM DES PARTIES

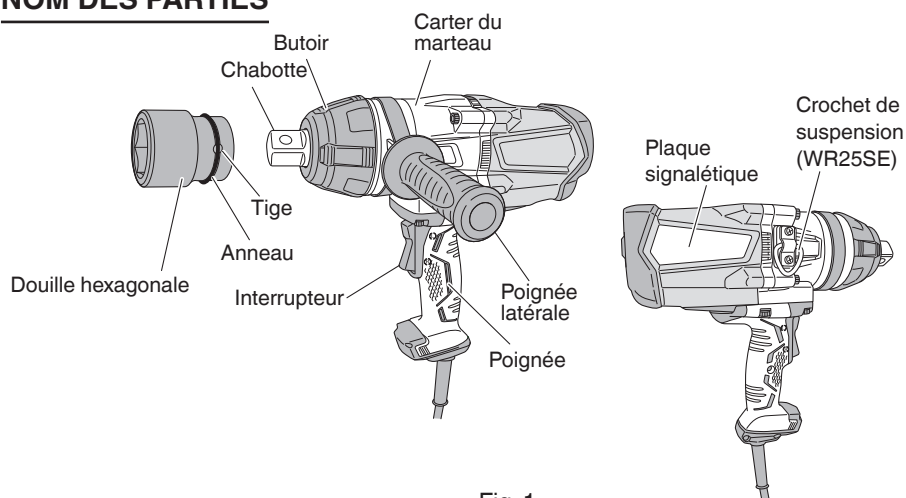


Fig. 1

SPECIFICATIONS

		WR22SE	WR25SE
Moteur		Moteur sans balais	
Source d'alimentation		Secteur, 120 V 60 Hz, monophasé	
Courant		8.3 A	9.4 A
Vitesse sans charge		1,400/min.	1,100/min.
Taux de percussion		2,000/min.	1,500/min.
Capacité	Boulon hautement extensible	5/8" – 7/8" (M16 – M22)	7/8" – 15/16" (M22 – M24)
	Boulon ordinaire	9/16" – 15/16" (M14 – M24)	7/8" – 15/16" (M22 – M30)
Couple de serrage		460 ft-lbs (620 N·m)	740 ft-lbs (1,000 N·m)
Extrémité carrée		3/4" (19 mm)	1" (25.4 mm)
Poids		10.1 lbs (4.6 kg)	17 lbs (7.7 kg)

ASSEMBLAGE ET FONCTIONNEMENT

APPLICATIONS

- Serrer et desserrer diverses sortes de boulons et d'écrous.

AVANT L'UTILISATION

1. Source d'alimentation

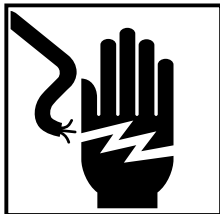
S'assurer que la source d'alimentation qui doit être utilisée est conforme à la source d'alimentation requise spécifiée sur la plaque signalétique du produit.

2. Interrupteur d'alimentation

S'assurer que l'interrupteur est sur la position OFF (arrêt). Si la fiche est connectée sur une prise alors que l'interrupteur est sur la position ON (marche), l'outil motorisé démarrera immédiatement risquant de causer de sérieuses blessures.

3. Cordon prolongateur

Quand la zone de travail est éloignée de la source d'alimentation, utiliser un cordon prolongateur d'épaisseur et de capacité nominale suffisante. Le cordon prolongateur doit être aussi court que possible.



⚠ AVERTISSEMENT:

Tout cordon endommagé devra être remplacé ou réparé.

4. Vérifier la prise

Si la prise reçoit la fiche avec beaucoup de jeu, elle doit être réparée. Contacter un électricien licencié pour réaliser les réparations nécessaires.

Si une telle prise défectueuse est utilisée, elle peut causer une surchauffe entraînant des dangers sérieux.

5. Vérification des conditions d'environnement

Vérifier que l'état de l'aire de travail est conforme aux précautions.

6. Montage de la poignée latérale

Après avoir desserré la poignée, faites-la glisser sur l'unité principale et serrer la poignée pour la fixer. Lorsque vous la faites glisser sur l'unité principale, assurez-vous d'aligner la partie saillante de l'appareil avec la fente de la poignée latérale. (Fig. 2)

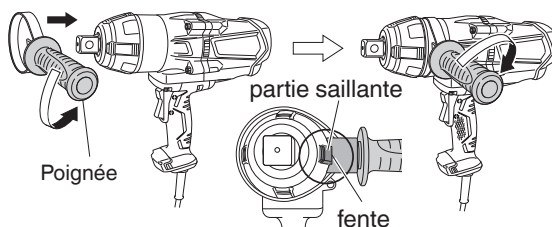


Fig. 2

7. Mise en place de la douille

(1) WR22SE: Type piston (Fig. 3)

Aligner le piston, situé dans la partie carrée de l'enclume, avec l'orifice de la fiche hexagonale. Ensuite, enfoncer le piston et la fiche hexagonale dans l'enclume. S'assurer que le piston est complètement engagé dans l'orifice. Lorsqu'on enlève la fiche hexagonale, inverser les démarches.

(2) WR25SE: Tige, type joint torique (Fig. 4)

Sélectionnez une douille adaptée au boulon à serrer ou desserrer. Insérez la douille sur la goupille de la clé, et fixez la avec la tige et l'anneau. Lors du démontage de la douille, inverser l'ordre.

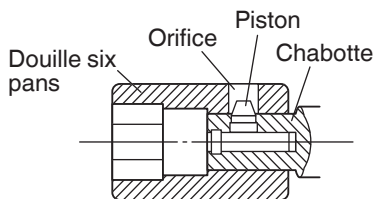


Fig. 3

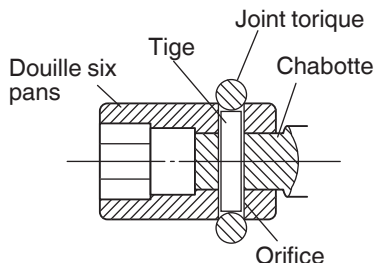


Fig. 4

UTILISATION

1. Fonctionnement de l'interrupteur (Fig. 5)

L'interrupteur de cet appareil fonctionne comme interrupteur de moteur tout comme sélecteur de sens de rotation. Quand l'interrupteur est amené sur R indiqué sur le couvercle de poignée, le moteur tourne dans le sens des aiguilles d'une montre et le boulon est serré. Quand l'interrupteur est réglé sur L, le moteur tourne dans le sens inverse des aiguilles d'une montre et le boulon est desserré. Le moteur s'arrête en relâchant l'interrupteur.

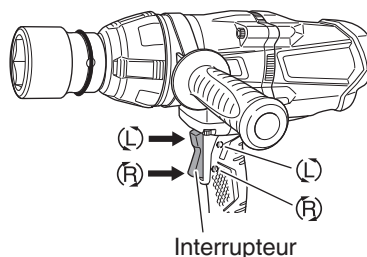


Fig. 5

⚠️ PRECAUTION:

Bien mettre l'appareil hors tension sur ARRÊT et attendre que le moteur soit complètement arrêté avant de changer le sens de rotation de la visseuse. Toute commutation effectuée pendant que le moteur tourne entraînera le grillage du moteur.

2. Serrage et desserrage de boulons

Choisir tout d'abord une douille six pans en fonction du boulon ou de l'écrou en question; puis, monter la douille sur la chabotte et serrer l'écrou qui doit être serré à l'aide de la douille six pans. En tenant l'appareil perpendiculairement au boulon, appuyer sur l'interrupteur pour percuter l'écrou pendant quelques secondes. Si l'écrou adhère mal au boulon celui-ci tournera avec l'écrou empêchant un serrage approprié. Le cas échéant, cesser la percussion sur l'écrou et immobiliser la tête du boulon à l'aide d'une clé avant de recommencer la percussion, ou serrer le boulon et l'écrou à la main pour éviter qu'ils ne glissent.

PRECAUTIONS POUR L'UTILISATION

1. **Ne touchez pas au butoir ou au boîtier à marteau lors d'une utilisation continue**
Le butoir et le boîtier à marteau sont chauds pendant un vissage continu, alors veillez à ne pas y toucher.
2. **Travailler à un couple de serrage convenable pour le boulon percuté**
Le couple de serrage optimal pour écrous et boulons diffère en fonction de la matière et de la taille des écrous et des boulons. Un couple de serrage trop important pour un petit boulon risque de déformer ou de fendre le boulon. Le couple augmente proportionnellement au temps de fonctionnement. Travailler pendant le temps approprié en fonction du boulon.
3. **Choisir une douille pouvant s'accoupler au boulon**
Bien choisir une douille pouvant s'accoupler au boulon qui doit être serré. Une douille trop grande non seulement empêchera un bon serrage mais risque aussi d'endommager la douille ou l'écrou.
Une douille six pans ou carrée usée ou déformée ne permettra pas un bon serrage pour fixer l'écrou ou la chabotte, et, en conséquence, ceci se traduira par une perte de couple.
Veiller à l'usure des trous de douilles et les remplacer avant que toute usure excessive ne soit constatée. L'appariement des dimensions des douilles et des boulons est indiqué dans le table 2.
La valeur numérique d'une désignation de douille dénote la distance entr'axe (S) de son trou six pans.
4. **Manipulation de l'appareil**
Tenir la visseuse à percussion fermement avec les deux mains à l'aide des deux poignées. Dans ce cas, tenir la visseuse perpendiculairement au boulon.
Il n'est pas nécessaire de pousser trop fort sur l'appareil. Maintenir l'appareil avec une force suffisant à contrer la force de percussion.
5. **Vérifier le couple de serrage**
Les facteurs suivants contribuent à une réduction du couple de serrage. Ainsi, vérifier le couple de serrage réel désiré en serrant quelques boulons avec une clé dynamométrique main avant d'effectuer le travail.
Facteurs influençant le couple de serrage.
 - (1) Tension secteur:
Le couple de serrage diminue quand la tension secteur baisse.
 - (2) Temps de fonctionnement:
Le couple de serrage augmente quand le temps de fonctionnement augmente. Toutefois, le couple de serrage n'augmente pas au-dessus d'une certaine valeur, ceci même si l'appareil marche pendant longtemps. (Voir Fig. 6)

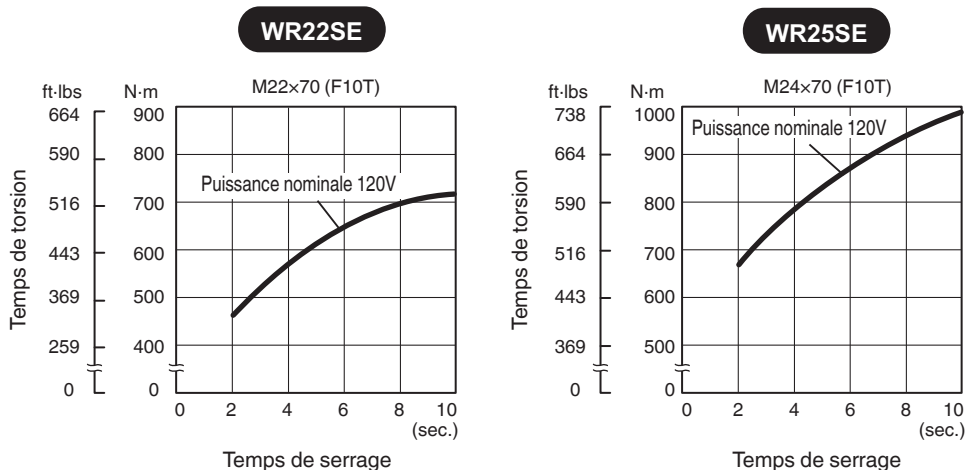


Fig. 6

(3) Diamètre de boulon:

Le couple de serrage diffère selon le diamètre du boulon. En règle générale, un boulon de diamètre plus large nécessite un couple de serrage plus important.

(4) Conditions de serrage:

Le couple de serrage diffère selon le rapport de couple, la classification et la longueur des boulons et ceci même si des boulons avant des filetages de dimensions identiques sont utilisés. Le couple diffère aussi en fonction de l'état du métal à la surface à travers lequel les boulons doivent être serrés.

(5) Utilisation de pièces optionnelles:

Le couple de serrage est légèrement réduit en utilisant une barre de rallonge, un joint universel ou une douille longue.

(6) Jeu de la douille:

Une douille six pans ou carrée usée ou déformée ne permettra pas un bon serrage pour fixer l'écrou ou la chabotte, ce qui se traduira par une perte de couple.

L'utilisation d'une douille inappropriée qui ne s'apparie pas au boulon se traduira par un couple de serrage insuffisant. L'appariement des dimensions des douilles et des boulons est indiqué dans le table 2.

6. À propos de la fonction de protection

Pour protéger l'outil, la fonction de protection est activée automatiquement et arrête la machine en cas de problèmes. Le Tableau 1 décrit chaque situation possible d'arrêt de la machine.

Tableau 1

Situation
Arrêt automatique en cas de surcharge (*1)
Arrêt automatique en raison de l'augmentation de la température interne de l'outil au-delà du niveau de température spécifié (*2)

*1 Fonction de protection contre les surcharges

En cas de surcharge, l'outil s'arrête pour empêcher des dommages.

Interrompre la tâche difficile et débrancher le cordon d'alimentation de la prise. L'outil va récupérer lors du rebranchement.

*2 Fonction de protection d'augmentation de la température

L'arrêt automatique est activé pour empêcher les dommages dus à une température élevée.

La température interne de l'outil augmente pour les tâches consommant beaucoup d'énergie ou si l'outil est utilisé dans un endroit à la température élevée.

Le cas échéant, laisser l'outil refroidir de 10 à 15 minutes avant de continuer.

7. Utilisation du crochet de suspension (WR25SE) (Fig. 7)

Lorsque vous utilisez le crochet de suspension, assurez-vous que la corde ou le câble est solidement fixé au crochet.

⚠ PRECAUCIÓN:

Veillez à toujours utiliser une corde ou un câble avec suffisamment de force pour supporter le poids de l'unité principale et résister à l'impact d'une chute.

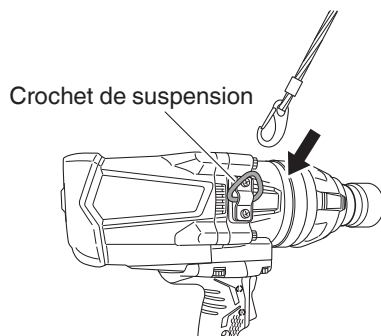


Fig. 7

ENTRETIEN ET INSPECTION

⚠ AVERTISSEMENT: S'assurer de mettre l'interrupteur d'alimentation sur la position OFF et de déconnecter la fiche de la prise secteur avant l'entretien et l'inspection de la meuleuse.

1. Contrôle de la douille

Une douille six pans ou carrée usée ou déformée ne permettra pas un bon serrage pour fixer l'écrou ou la chabotte, ce qui se traduira par une perte de couple de serrage. Contrôler périodiquement l'état d'usure des trous de douille et les remplacer par des neufs en cas de besoin.

2. Inspection des vis

Inspecter régulièrement toutes les vis pour s'assurer qu'elles sont bien serrées. Si l'une des vis était desserrée, la resserrer immédiatement.

⚠ AVERTISSEMENT: Utiliser la clé à choc avec des vis desserrées est extrêmement dangereux.

3. Entretien du moteur

Le bobinage de l'ensemble moteur est le "coeur" même de l'outil électro-portatif. Veiller soigneusement à ce que ce bobinage ne soit pas endommagé et/ou mouillé par de l'huile ou de l'eau.

4. Entretien et réparation

Tous les outils motorisés de qualité auront éventuellement besoin d'une réparation ou du remplacement d'une pièce à cause de l'usure normale de l'outil.

Pour assurer que seules des pièces de rechange autorisées seront utilisées, tous les entretiens et les réparations doivent être effectués UNIQUEMENT par un CENTRE DE REPARATION AUTORISE metabo HPT.

5. Liste des pièces de rechange

⚠ PRECAUCIÓN : Les réparations, modifications et inspections des outils électriques metabo HPT doivent être confiées à un service après-vente metabo HPT agréé.

Il sera utile de présenter cette liste de pièces au service après-vente metabo HPT agréé lorsqu'on apporte un outil nécessitant des réparations ou tout autre entretien. Lors de l'utilisation et de l'entretien d'un outil électrique, respecter les règlements et les normes de sécurité en vigueur dans le pays en question.

MODIFICATIONS :

Les outils électriques metabo HPT sont constamment améliorés et modifiés afin d'incorporer les tous derniers progrès technologiques.

En conséquence, il est possible que certaines pièces soient modifiées sans avis préalable.

ACCESSOIRES

⚠ AVERTISSEMENT: TOUJOURS utiliser UNIQUEMENT des pièces de rechange et des accessoires metabo HPT. NE JAMAIS utiliser de pièce de rechange ou d'accessoires qui ne sont pas prévus pour être utilisé avec cet outil. En cas de doute, contacter metabo HPT pour savoir si une pièce de rechange ou un accessoire particulier peuvent être utilisés en toute sécurité avec votre outil.

L'utilisation de tout autre attachement ou accessoire peut être dangereux et peut causer des blessures ou des dommages mécaniques.

REMARQUE:

Les accessoires sont sujets à changement sans obligation de la part de metabo HPT.

ACCESSOIRES SUR OPTION vendus séparément

1. Variété douilles

Bien que la visseuse à percussion de metabo HPT soit livrée avec une seule douille standard, de nombreuses douilles sont disponibles pour effectuer le serrage à percussion de boulons de taille et de type différents.

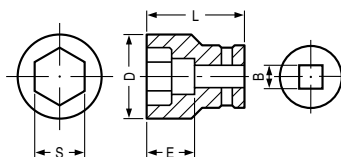


Tableau 2

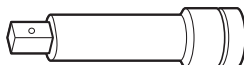
B (mm)	Douille ordinaire					Douille longue				
	Dimensions (mm)					Dimensions (mm)				
	S	D	E	L	No. de code	S	D	E	L	No. de code
19 [3/4"]	23	38	15	55	874527					
	24	40			874528	24	34	23	60	955033
	26	42	16		874529	26	38	25	85	955034
	27	43			874530	27	39	26	85	955035
	30	47	19		874532	30	43	26	85	955037
	32	50			874523	32	46	26	100	955038
	35	52			874533					
	36	55			874534	36	55	26	55	955092
25.4 [1"]	36	58	40	72	956080					
	41	63	38	68	873636					

2. Barre de rallonge : No. de Code 873633

La barre de rallonge est pratique pour le travail dans des espaces très resserrés ou lorsque la douille utilisée ne permet pas d'atteindre le boulon à serrer.

⚠ PRECAUTION:

Quand la rallonge est utilisée, le couple de serrage est légèrement réduit comparé à celui de la douille ordinaire. A cet effet, il convient de faire marcher l'appareil un peu plus longtemps pour obtenir le même couple.



REMARQUE:

Les spécifications sont sujettes à modification sans aucune obligation de la part de metabo HPT.

INFORMACIÓN IMPORTANTE SOBRE SEGURIDAD

Antes de utilizar o de realizar cualquier trabajo de mantenimiento de esta herramienta eléctrica, lea y comprenda todas las precauciones de seguridad, advertencias e instrucciones de funcionamiento de este Manual de instrucciones.

La mayoría de los accidentes producidos en la operación y el mantenimiento de una herramienta eléctrica se deben a la falta de observación de las normas o precauciones de seguridad. Los accidentes normalmente podrán evitarse reconociendo una situación potencialmente peligrosa a tiempo y siguiendo los procedimientos de seguridad apropiados.

Las precauciones básicas de seguridad se describen en la sección "SEGURIDAD" de este Manual de instrucciones y en las secciones que contienen las instrucciones de operación y mantenimiento.

Para evitar lesiones o el daño de la herramienta eléctrica, los riesgos están identificados con ADVERTENCIAS en dicha herramienta y en este Manual de instrucciones.

No utilice **NUNCA** esta herramienta eléctrica de ninguna forma que no esté específicamente recomendada por metabo HPT.

SIGNIFICADO DE LAS PALABRAS DE SEÑALIZACIÓN

ADVERTENCIA indica situaciones potencialmente peligrosas que, si se ignoran, pueden resultar en la muerte o en lesiones de gravedad.

PRECAUCIÓN indica situaciones potencialmente peligrosas que, de no evitarse, pueden resultar en lesiones menores o moderadas, o causar daños en la herramienta eléctrica.

NOTA acentúa información esencial.

SEGURIDAD

ADVERTENCIAS DE SEGURIDAD GENERAL DE LA HERRAMIENTA ELÉCTRICA

ADVERTENCIA:

Lea todas las instrucciones y todas las advertencias de seguridad.

Si no se siguen las advertencias e instrucciones, podría producirse una descarga eléctrica, un incendio y/o daños graves.

Guarde todas las advertencias e instrucciones para futura referencia.

El término "herramienta eléctrica" en las advertencias hace referencia a la herramienta eléctrica que funciona con la red de suministro (con cable) o a la herramienta eléctrica que funciona con pilas (sin cable).

1) Seguridad en el área de trabajo

a) **Mantenga la zona de trabajo limpia y bien iluminada.**

Las zonas desordenadas o oscuras pueden provocar accidentes.

b) **No utilice las herramientas eléctricas en entornos explosivos como, por ejemplo, en presencia de líquidos inflamables, gases o polvo.**

Las herramientas eléctricas crean chispas que pueden hacer que el polvo desprenda humo.

c) **Mantenga a los niños y transeúntes alejados cuando utilice una herramienta eléctrica.**

Las distracciones pueden hacer que pierda el control.

2) Seguridad eléctrica

a) **Los enchufes de las herramientas eléctricas tienen que ser adecuados a la toma de corriente.**

No modifique el enchufe.

No utilice enchufes adaptadores con herramientas eléctricas conectadas a tierra.

Si no se modifican los enchufes y se utilizan tomas de corriente adecuadas se reducirá el riesgo de descarga eléctrica.

b) **Evite el contacto corporal con superficies conectadas a tierra como tuberías, radiadores y frigoríficos.**

Hay mayor riesgo de descarga eléctrica si su cuerpo está en contacto con el suelo.

c) **No exponga las herramientas eléctricas a la lluvia o a la humedad.**

La entrada de agua en una herramienta eléctrica aumentará el riesgo de descarga eléctrica.

d) **No utilice el cable incorrectamente. No utilice el cable para transportar, tirar de la herramienta eléctrica o desenchufarla.**

Mantenga el cable alejado del calor, del aceite, de bordes afilados o piezas móviles. Los cables dañados o enredados aumentan el riesgo de descarga eléctrica.

- e) **Cuando utilice una herramienta eléctrica al aire libre, utilice un cable prolongador adecuado para utilizarse al aire libre.**
La utilización de un cable adecuado para usarse al aire libre reduce el riesgo de descarga eléctrica.
- f) **Si no se puede evitar el uso de una herramienta eléctrica en un lugar húmedo, utilice un suministro protegido mediante un dispositivo de corriente residual (RCD).**
El uso de un RCD reduce el riesgo de descarga eléctrica.
- 3) **Seguridad personal**
- a) **Esté atento, preste atención a lo que hace y utilice el sentido común cuando utilice una herramienta eléctrica.**
No utilice una herramienta eléctrica cuando esté cansado o esté bajo la influencia de drogas, alcohol o medicación.
La distracción momentánea cuando utiliza herramientas eléctricas puede dar lugar a importantes daños personales.
- b) **Utilice un equipo de protección. Utilice siempre una protección ocular.**
El equipo de protección como máscara para el polvo, zapatos de seguridad antideslizantes, casco o protección para oídos utilizado para condiciones adecuadas reducirá los daños personales.
- c) **Evite un inicio involuntario. Asegúrese de que el interruptor está en "off" antes de conectar la herramienta a una fuente de alimentación y/o batería, cogerla o transportarla.**
El transporte de herramientas eléctricas con el dedo en el interruptor o el encendido de herramientas eléctricas con el interruptor encendido puede provocar accidentes.
- d) **Retire las llaves de ajuste antes de encender la herramienta eléctrica.**
Si se deja una llave en una pieza giratoria de la herramienta eléctrica podrían producirse daños personales.
- e) **No se extralimite. Mantenga un equilibrio adecuado en todo momento.**
Esto permite un mayor control de la herramienta eléctrica en situaciones inesperadas.
- f) **Vístase adecuadamente. No lleve prendas sueltas o joyas. Mantenga el pelo, la ropa y los guantes alejados de las piezas móviles.**
La ropa suelta, las joyas y el pelo largo pueden pillarse en las piezas móviles.
- g) **Si se proporcionan dispositivos para la conexión de extracción de polvo e instalaciones de recogida, asegúrese de que están conectados y se utilizan adecuadamente.**
La utilización de un sistema de recogida de polvo puede reducir los riesgos relacionados con el polvo.
- 4) **Utilización y mantenimiento de las herramientas eléctricas**
- a) **No fuerce la herramienta eléctrica. Utilice la herramienta eléctrica correcta para su aplicación.**
La herramienta eléctrica correcta trabajará mejor y de forma más segura si se utiliza a la velocidad para la que fue diseñada.
- b) **No utilice la herramienta eléctrica si el interruptor no la enciende y apaga.**
Las herramientas eléctricas que no pueden controlarse con el interruptor son peligrosas y deben repararse.
- c) **Antes de hacer ajustes, cambiar accesorios o almacenar las herramientas eléctricas, desconecte el enchufe de la fuente eléctrica y/o las baterías de la herramienta.**
Estas medidas de seguridad preventivas reducen el riesgo de que la herramienta eléctrica se ponga en marcha accidentalmente.
- d) **Guarde las herramientas eléctricas que no se utilicen para que no las cojan los niños y no permita que utilicen las herramientas eléctricas personas no familiarizadas con las mismas o con estas instrucciones.**
Las herramientas eléctricas son peligrosas si son utilizadas por usuarios sin formación.
- e) **Mantenimiento de las herramientas eléctricas. Compruebe si las piezas móviles están mal alineadas o unidas, si hay alguna pieza rota u otra condición que pudiera afectar al funcionamiento de las herramientas eléctricas. Si la herramienta eléctrica está dañada, lívela a reparar antes de utilizarla.**
Se producen muchos accidentes por no realizar un mantenimiento correcto de las herramientas eléctricas.
- f) **Mantenga las herramientas de corte afiladas y limpias.**
Las herramientas de corte correctamente mantenidas con los bordes de corte afilados son más fáciles de controlar.
- g) **Utilice la herramienta eléctrica, los accesorios y las brocas de la herramienta, etc. de acuerdo con estas instrucciones, teniendo en cuenta las condiciones laborales y el trabajo que se va a realizar.**
La utilización de la herramienta eléctrica para operaciones diferentes a pretendidas podría dar lugar a una situación peligrosa.
- 5) **Revisión**
- a) **Lleve su herramienta a que la revise un experto cualificado que utilice sólo piezas de repuesto idénticas.**
Esto garantizará el mantenimiento de la seguridad de la herramienta eléctrica.

NORMAS Y SÍMBOLOS ESPECÍFICOS DE SEGURIDAD

1. **Sostenga la herramienta eléctrica por las superficies de agarre aisladas cuando realice una operación en la que el sujetador pueda entrar en contacto con el cableado oculto o con su propio cable.**

Si el sujetador entra en contacto con un cable con corriente, las partes metálicas expuestas de la herramienta eléctrica pueden transmitir esa corriente y producir una descarga eléctrica al operador.

2. **Utilice protecciones auriculares.**



La exposición al ruido puede causar daños auditivos.

3. **Utilice los mangos auxiliares si es proporcionados con la herramienta.**

La pérdida de control puede causar daños personales.

4. **NO toque NUNCA** una broca de la herramienta con las manos desnudas después de la operación.

5. **NUNCA** utilice guantes hechos de materiales que tiendan a enrollarse, como algodón, lana, paño, cuerda, etc.

6. Fije **SIEMPRE** la empuñadura lateral del llave de impacto y sujétela con seguridad.

7. **NO toque NUNCA las piezas móviles.**

NO coloque **NUNCA** sus manos, dedos, ni demás partes del cuerpo cerca de las piezas móviles de la herramienta.

8. **NO utilice NUNCA la herramienta sin los protectores colocados en su lugar.**

NO utilice **NUNCA** esta herramienta sin los protectores de seguridad correctamente instalados. Si el trabajo de mantenimiento o de reparación requiere el desmontaje de un protector de seguridad, cerciórese de volver a instalarlo antes de utilizar la herramienta.

9. **Utilice la herramienta correcta.**

No fuerce herramientas ni accesorios pequeños para realizar un trabajo pesado.

No utilice las herramientas para fines no proyectados, por ejemplo, no utilice esta amoladora angular para cortar madera.

10. **NO utilice NUNCA una herramienta eléctrica para aplicaciones que no sean las especificadas.**

NO utilice **NUNCA** una herramienta eléctrica para aplicaciones no especificadas en este Manual de instrucciones.

11. **Maneje correctamente la herramienta.**

Maneje la herramienta de acuerdo con las instrucciones ofrecidas aquí. No deje caer ni tire la herramienta. **NO** permita **NUNCA** que los niños ni otras personas no autorizadas ni familiarizadas con la operación de la herramienta utilicen ésta.

12. **Mantenga todos los tornillos, pernos, y cubiertas firmemente fijados en su lugar.**

Mantenga todos los tornillos, pernos, y cubiertas firmemente montados. Compruebe periódicamente su condición.

13. **No utilice herramientas eléctricas si la carcasa o la empuñadura de plástico está rajada.**

Las rajadas en la carcasa o en la empuñadura de plástico pueden conducir a descargas eléctricas. Tales herramientas no deberán utilizarse mientras no se hayan reparado.

14. **Las cuchillas y los accesorios deberán montarse con seguridad en la herramienta.**

Evite lesiones personales y de otras personas. Las cuchillas, los accesorios de corte, y demás accesorios montados en la herramienta deberán fijarse con seguridad.

15. **Mantenga limpio el conducto de ventilación del motor.**

El conducto de ventilación del motor limpio para que el aire pueda circular libremente en todo momento. Compruebe frecuentemente y limpie el polvo acumulado.

16. **Utilice las herramientas eléctricas con la tensión de alimentación nominal.**

Utilice las herramientas eléctricas con las tensiones indicadas en sus placas de características.

La utilización de una herramienta eléctrica con una tensión superior a la nominal podría resultar en revoluciones anormalmente altas del motor, en el daño de la herramienta, y en la quemadura del motor.

17. **NO utilice NUNCA una herramienta defectuosa o que funcione anormalmente.**

Si la herramienta parece que funciona anormalmente, produciendo ruidos extraños, etc., deje inmediatamente de utilizarla y solicite su arreglo a un centro de reparaciones autorizado por metabo HPT.

18. **NO deje NUNCA la herramienta en funcionamiento desatendida. Desconecte su alimentación.**

No deje sola las herramientas hasta mientras no se haya parado completamente.

19. **Maneje con cuidado las herramientas eléctricas.**

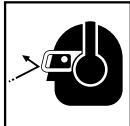
Si una herramienta eléctrica se ha caído o ha chocado inadvertidamente contra materiales duros, es posible que se haya deformado, rajado, o dañado.

20. **No limpie las partes de plástico con disolvente.**

Los disolventes, como gasolina, diluidor de pintura, bencina, tetracloruro de carbono, y alcohol pueden dañar o rajar las partes de plástico. No las limpie con tales disolventes.

Limpie las partes de plástico con un paño suave ligeramente humedecido en agua jabonosa y después séquelas bien.

21. **SIEMPRE** utilice gafas protectoras que cumplan con los requerimientos de la última revisión de la norma ANSI Z87.1.



22. Cuando trabaje en lugares elevados, cerciórese de que no haya nadie debajo. Durante la operación, preste atención para no enganchar ni apretar accidentalmente el cordón.
23. Activar el interruptor de inversión solamente cuando el motor esté parado, cuando sea necesario cambiar la dirección de rotación.
24. Utilizar el transformador elevador cuando se use un cable de extensión larga.
25. Confirmar la tensión de apriete por medio de una llave dinamométrica para verificar que la tensión sea la correcta.
26. Coloque firmemente la llave hexagonal en el yunque. Si la llave hexagonal no está debidamente asegurada, podría desprenderse y provocar un accidente. Con respecto a la colocación de la llave hexagonal, consulte "ANTES DE LA OPERACIÓN" en la página 33.
27. Verificar si el receptáculo tiene alguna grieta.
28. **Definiciones para los símbolos utilizados en esta herramienta**
- V..... voltios
 Hz..... hertzios
 A..... amperios
 no velocidad sin carga
 W..... vatios
 □..... Construcción de clase II
 ---/min..... revoluciones por minuto
 ~..... Corriente alterna

AISLAMIENTO DOBLE PARA OFRECER UNA OPERACIÓN MÁS SEGURA

Para garantizar una operación más segura de esta herramienta eléctrica, metabo HPT ha adoptado un diseño de aislamiento doble. "Aislamiento doble" significa que se han utilizado dos sistemas de aislamiento físicamente separados para aislar los materiales eléctricamente conductores conectados a la fuente de alimentación del bastidor exterior manejado por el operador. Por lo tanto, en la herramienta eléctrica o en su placa de características aparecen el símbolo "□" o las palabras "Double insulation" (aislamiento doble).

Aunque este sistema no posee puesta a tierra externa, usted deberá seguir las precauciones sobre seguridad eléctrica ofrecidas en este Manual de instrucciones, incluyendo la no utilización de la herramienta eléctrica en ambientes húmedos.

Para mantener efectivo el sistema de aislamiento doble, tenga en cuenta las precauciones siguientes:

- Esta herramienta eléctrica solamente deberá desensamblar y ensamblarla un CENTRO DE REPARACIONES AUTORIZADO POR metabo HPT, y solamente deberán utilizarse con ella piezas de reemplazo genuinas de metabo HPT.
- Limpie el exterior de la herramienta eléctrica solamente con un paño suave humedecido en agua jabonosa, y después séquela bien. No utilice disolventes, gasolina, ni diluidor de pintura para limpiar las partes de plástico, ya que podría disolverlas.

**¡GUARDE ESTAS INSTRUCCIONES
 Y
 PÓNGALAS A DISPOSICIÓN DE
 OTROS USUARIOS
 Y
 PROPIETARIOS DE ESTA
 HERRAMIENTA!**

DESCRIPCIÓN FUNCIONAL

NOTA:

La información contenida en este Manual de instrucciones ha sido diseñada para ayudarle a utilizar con seguridad y mantener esta herramienta eléctrica.

NUNCA haga funcionar ni efectúe el mantenimiento de la herramienta antes de leer y comprender todas las instrucciones de seguridad contenidas en este manual.

Algunas ilustraciones de este Manual de Instrucciones pueden mostrar detalles o accesorios diferentes a los de la propia herramienta eléctrica.

NOMENCLATURA

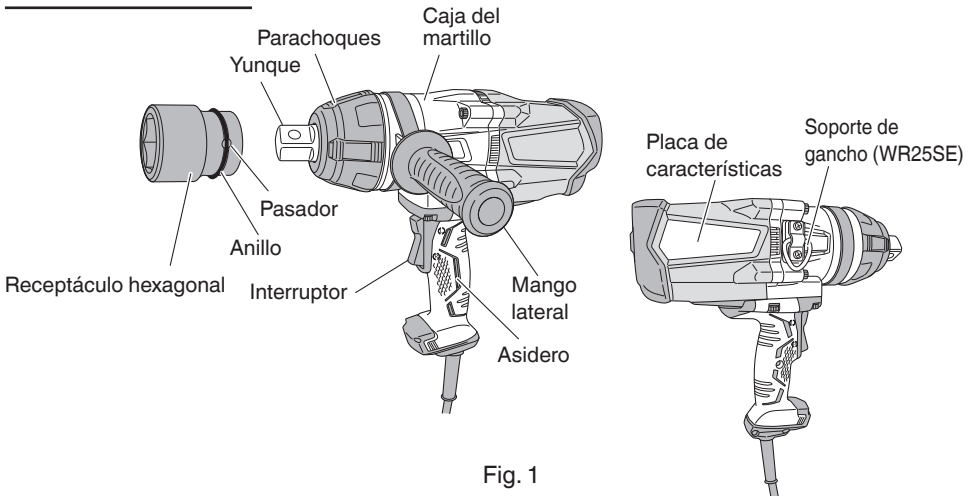


Fig. 1

ESPECIFICACIONES

		WR22SE	WR25SE
Motor		Motor sin escobillas	
Fuente de alimentación		120 V c. a., 60 Hz, monofásica	
Corriente		8.3 A	9.4 A
Velocidad de marcha en vacío		1,400/min.	1,100/min.
Frecuencia de impactos		2,000/min.	1,500/min.
Capacidad	Perno de alta tensión	5/8" – 7/8" (M16 – M22)	7/8" – 15/16" (M22 – M24)
	Perno corriente	9/16" – 15/16" (M14 – M24)	7/8" – 15/16" (M22 – M30)
Par de apriete		460 ft-lbs (620 N·m)	740 ft-lbs (1,000 N·m)
Troquel cuadrado		3/4" (19 mm)	1" (25.4 mm)
Peso		10.1 lbs (4.6 kg)	17 lbs (7.7 kg)

MONTAJE Y OPERACIÓN

APLICACIONES

- Para apretar y aflojar diversos tipos de pernos y tuercas.

ANTES DE LA OPERACIÓN

1. Fuente de alimentación

Cerciórese de que la fuente de alimentación que vaya a utilizar cumpla los requisitos indicados en la placa de características del producto.

2. Interruptor de alimentación

Cerciórese de que el interruptor de alimentación esté en la posición OFF. Si enchufase el cable de alimentación en un tomacorriente de la red con el interruptor en ON, la herramienta eléctrica comenzaría a funcionar inmediatamente, lo que podría provocar lesiones serias.

3. Cable prolongador

Cuando el área de trabajo esté alejada de la fuente de alimentación, utilice un cable prolongador de suficiente grosor y con la capacidad nominal. El cable prolongador deberá mantenerse lo más corto posible.



⚠ ADVERTENCIA:

Si un cable está dañado deberá reemplazarse o repararse.

4. Comprobación del tomacorriente

Si el enchufe del cable de alimentación queda flojo en el tomacorriente, habrá que reparar éste. Póngase en contacto con un electricista cualificado para que realice las reparaciones adecuadas.

Si utilizase un tomacorriente en este estado, podría producirse recalentamiento, lo que supondría un riesgo serio.

5. Confirme las condiciones del medio ambiente

Confirme que el lugar de trabajo esté en las condiciones apropiadas de acuerdo con las precauciones descritas.

6. Montaje de la empuñadura lateral

Luego de aflojar la empuñadura, deslícela sobre la unidad principal y apriete la empuñadura para asegurarla. Al deslizarla sobre la unidad principal, asegúrese de alinear el saliente de la unidad con la ranura de la empuñadura lateral. (Fig. 2)

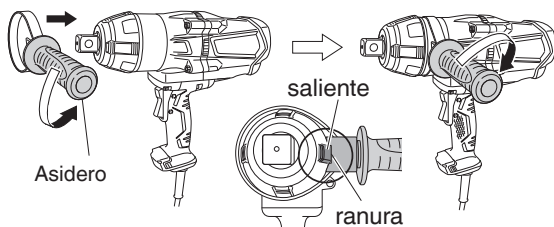


Fig. 2

7. Montaje del receptáculo

(1) WR22SE: Tipo émbolo (Fig. 3)

Alinee el émbolo situado en la parte cuadrada de la boca con el orificio del cubo hexagonal. Después empuje el émbolo y monte el cubo hexagonal en la boca. Compruebe que el émbolo esté completamente enganchado en el orificio. Para extraer el cubo, invierta la secuencia.

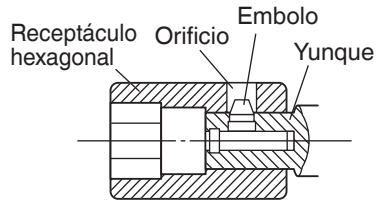


Fig. 3

(2) WR25SE: Tipo pasador, junta tórica (Fig. 4)

Seleccione una llave ajustada al perno que se va a apretar o aflojar. Inserte la llave en el yunque de la herramienta y asegúrela con el pasador y el anillo. Para desmantelar el receptáculo, invierta la secuencia.

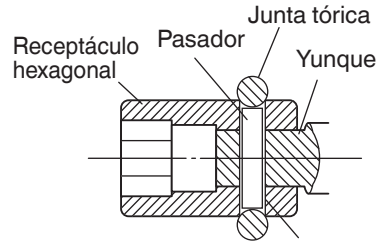


Fig. 4

COMO SE USA

1. Operación del interruptor (Fig. 5)

El interruptor de esta herramienta funciona como interruptor del motor y selector de la dirección de rotación. Cuando el interruptor se pone en la posición R indicada en la tapa del asa, el motor gira hacia la derecha para apretar el perno. Cuando el interruptor se ponga en la posición L, el motor gira hacia la izquierda para aflojar el perno. Cuando el interruptor se libere, el motor se para.

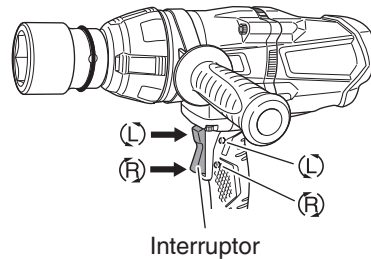


Fig. 5

⚠ PRECAUCIÓN:

Antes de cambiar la dirección de rotación del aprietatuercas, cerciorarse de poner el interruptor en la posición OFF (desconectado) y esperar a que el motor se pare. El motor se quemará si se cambia la dirección de rotación mientras que éste está funcionando.

2. Para apretar ya aflojar tornillos

Primero debe seleccionarse un receptáculo hexagonal que se adapte al perno o a la tuerca. Luego, montar el receptáculo en el yunque y sujetar la tuerca a ser apretada con el receptáculo hexagonal. Sujetando el aprietatuercas en línea con el perno, presionar el interruptor de la alimentación para apretar la tuerca durante varios segundos. Si la tuerca está colocada en el perno flojamente, el perno girará con la tuerca y el apriete no será adecuado. En este caso, dejar de apretar la tuerca y sujetar la cabeza del perno con una llave apropiada antes de proseguir con el apriete, o apretar manualmente el perno y la tuerca para evitar que se deslicen.

PRECAUCIONES DURANTE LA OPERACION

1. **No toque el parachoques o la caja del martillo durante el funcionamiento**
El parachoques y la caja del martillo se recalientan durante un apriete continuo de los tornillos, por lo que no debe tocarlos en ese momento.
2. **Tensión de apriete apropiada para los pernos y tuercas**
La tensión de apriete óptima para pernos y tuercas difiere según su material y tamaño. Una tensión de apriete excesiva para un perno pequeño podría deformarlo o romperlo. La tensión de apriete aumenta proporcionalmente al tiempo de operación. Utilizar el tiempo de operación apropiado para el perno.
3. **Selección del receptáculo que concuerde con el perno**
Cerciorarse de utilizar un receptáculo que concuerde con el perno a ser apretado. Si se utilizase un receptáculo inadecuado, el apriete no será satisfactorio y la cabeza del perno o la tuerca se dañarán.
Un receptáculo, hexagonal o cuadrado, deformado no quedará bien apretado en la tuerca o en el yunque por lo que la tensión de apriete no será la adecuada. Poner atención al desgaste de los agujeros del receptáculo y cambiarlo antes de que el desgaste sea excesivo. Los tamaños de acoplamiento de pernos y receptáculos se muestran en la tabla 2.
El valor numérico de la designación de un receptáculo denota la distancia (S) de lado a lado de su agujero hexagonal.
4. **Sujeción de la herramienta**
Sujetar firmemente la llave de impacto con ambas manos, sujetando el asa del cuerpo y el asa lateral, y ponerla en línea con el perno.
No es necesario presionar el aprietatuercas excesivamente. Sujetar el aprietatuercas con una fuerza equivalente a la fuerza de apriete.
5. **Confirmación de la tensión de apriete**
Los factores que se mencionan a continuación contribuyen a reducir la tensión de apriete. Comprobar por ello la tensión de apriete necesaria atornillando previamente algunos tornillos con una llave de tuercas manual.
Factores que afectan a la tensión de apriete.
 - (1) **Tensión de la línea:**
La tensión de apriete disminuye cuando la tensión de la línea desciende.
 - (2) **Tiempo de operación:**
La tensión de apriete aumenta al aumentar el tiempo de operación. La tensión de apriete sin embargo no supera cierto valor a pesar de que la herramienta funcione durante un largo período de tiempo. (Ver la Fig. 6)

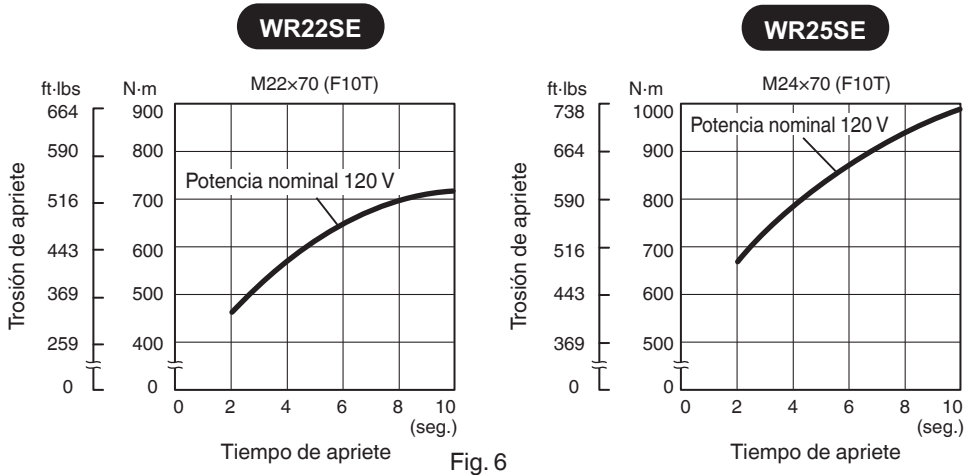


Fig. 6

(3) Diámetro del perno:

La tensión de apriete difiere según el diámetro del perno. Generalmente, cuanto mayor sea el diámetro del perno, mayor será la tensión de apriete.

(4) Condiciones de apriete:

La tensión de apriete difiere según la clase y longitud de los tornillos; a pesar de que éstos tengan la rosca del mismo tamaño. La tensión de apriete difiere también según las condiciones de las superficies del metal en el cual van a apretarse los pernos.

(5) Utilización de piezas opcionales:

La tensión de apriete se reduce un poco cuando se utiliza una barra de extensión, una junta universal o un receptáculo de gran tamaño.

(6) Holgura del receptáculo:

Un receptáculo con sus agujeros hexagonal o cuadrado deformados no quedará bien sujeto a la tuerca o al yunque por lo que la tensión de apriete no será apropiada. Un receptáculo inapropiado, que no concuerde con el perno, también evitará que la tensión de apriete sea adecuada. Los tamaños de los pernos y receptáculos que concuerdan con ellos se muestran en la tabla 2.

6. Función de protección

Para proteger la herramienta, se activa la función de protección, deteniendo automáticamente la unidad en caso de que surja algún problema. La Tabla 1 describe todas las situaciones en las cuales puede suceder lo antes mencionado.

Tabla 1

Situación indicada
Detención automática iniciada por carga excesiva (*1)
Detención automática iniciada por la temperatura interna de la herramienta que excede el nivel de temperatura especificado (*2)

*1 Función protección contra carga excesiva

En condiciones de carga excesiva, la herramienta se detendrá para evitar daños.

Cancele la tarea de carga pesada y desenchufe el cable de alimentación del tomacorriente.

La herramienta se recuperará al enchufar el cable.

*2 Función protección contra el aumento de temperatura

La detención automática se activa para evitar daños causados por altas temperaturas.

La temperatura interna de la herramienta aumentará en tareas que impliquen el uso de grandes corrientes de electricidad o cuando se utilice la herramienta en ambientes de alta temperatura.

En esos casos, deje que la herramienta se enfríe de 10 a 15 minutos antes de continuar el uso.

7. Uso del soporte de gancho (WR25SE) (Fig. 7)

Al usar el soporte de gancho, asegúrese de que la cuerda o el alambre está fijado en forma segura al soporte.

⚠ PRECAUCIÓN:

Asegúrese de usar siempre una cuerda o un alambre con resistencia suficiente como para soportar el peso de la unidad principal y de resistir el impacto de una caída.

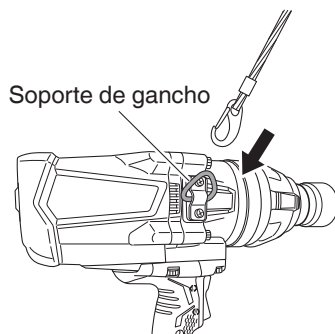


Fig. 7

MANTENIMIENTO E INSPECCIÓN

⚠️ ADVERTENCIA: Antes de realizar el mantenimiento o la inspección de la amoladora, cerciórese de OFF (desconectar) la alimentación y de desenchufar el cable de alimentación del tomacorriente.

1. Inspección del receptáculo
Un receptáculo con sus agujeros hexagonal o cuadeformados no quedará bien sujeto a la tuerca o al yunque por lo que la tensión de apriete no será apropiada. Periódicamente, poner atención al desgaste de los agujeros del receptáculo y cambiarlo por otro nuevo cuando sea necesario.
2. Inspección de los tornillos
Inspeccione regularmente todos los tornillos y asegúrese de que estén bien apretados. Si hay algún tornillo flojo, apriételo inmediatamente.

⚠️ ADVERTENCIA: La utilización de esta llave de impacto con tornillos flojos es extremadamente peligrosa.

3. Mantenimiento de motor
La unidad de bobinado del motor es el verdadero “corazón” de las herramientas eléctricas. Prestar el mayor cuidado y asegurarse de que el bobinado no se dañe y/o se humedezca con aceite o agua.
4. Mantenimiento y reparación
Todas las herramientas eléctricas de calidad requieren de vez en cuando el servicio de mantenimiento o el reemplazo de piezas debido al desgaste producido durante la utilización normal. Para asegurarse de que solamente se utilicen piezas de reemplazo autorizadas, todos los servicios de mantenimiento y reparación deberán realizarse SOLAMENTE en un CENTRO DE SERVICIO AUTORIZADO POR metabo HPT.
5. Lista de repuestos

⚠️ PRECAUCIÓN: La reparación, modificación e inspección de las herramientas eléctricas metabo HPT deben ser realizadas por un Centro de Servicio Autorizado de metabo HPT.

Esta lista de repuestos será de utilidad si es presentada junto con la herramienta al Centro de Servicio Autorizado de metabo HPT para solicitar la reparación o cualquier otro tipo de mantenimiento. En el manejo y el mantenimiento de las herramientas eléctricas, se deberán observar las normas y reglamentos vigentes en cada país.

MODIFICACIONES:

metabo HPT Power Tools introduce constantemente mejoras y modificaciones para incorporar los últimos avances tecnológicos.

Por consiguiente, algunas partes pueden ser modificadas sin previo aviso.

ACCESORIOS

⚠ ADVERTENCIA: UTILICE únicamente repuestos y accesorios autorizados por metabo HPT. NO utilice NUNCA repuestos o accesorios no previstos para usar con esta herramienta. Si tiene dudas en cuanto a la seguridad de usar determinado repuesto o accesorio junto con su herramienta, póngase en contacto con metabo HPT.

La utilización de otros accesorios puede resultar peligrosa y causar lesiones o daños mecánicos.

NOTA:

Los accesorios están sujetos a cambio sin ninguna obligación por parte de metabo HPT.

ACCESORIOS OPCIONALES De venta por separado

1. Variedad de receptáculos

A pesar de que la llave de impacto se envía con un receptáculo normal solamente, se dispone también de una gran cantidad de receptáculos para los diversos tipos y tamaños de pernos.

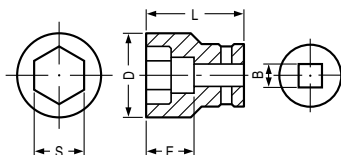


Tabla 2

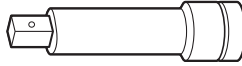
B (mm)	Receptáculo ordinario					Receptáculo largo				
	Dimensión (mm)					Dimensión (mm)				
	S	D	E	L	Núm. de código	S	D	E	L	Núm. de código
19 [3/4"]	23	38	15	55	874527					
	24	40			874528	24	34	23	60	955033
	26	42	16		874529	26	38	25	85	955034
	27	43			874530	27	39	26	85	955035
	30	47	19		874532	30	43	26	85	955037
	32	50			874523	32	46	26	100	955038
	35	52			874533					
	36	55			874534	36	55	26	55	955092
25.4 [1"]	36	58	40	72	956080					
	41	63	38	68	873636					

2. Barra de extensión : Núm. de código 873633

La barra de extensión es muy apropiada para trabajar en espacios muy reducidos o cuando el receptáculo provisto no pueda llegar al perno a ser apretado.

⚠ PRECAUCIÓN:

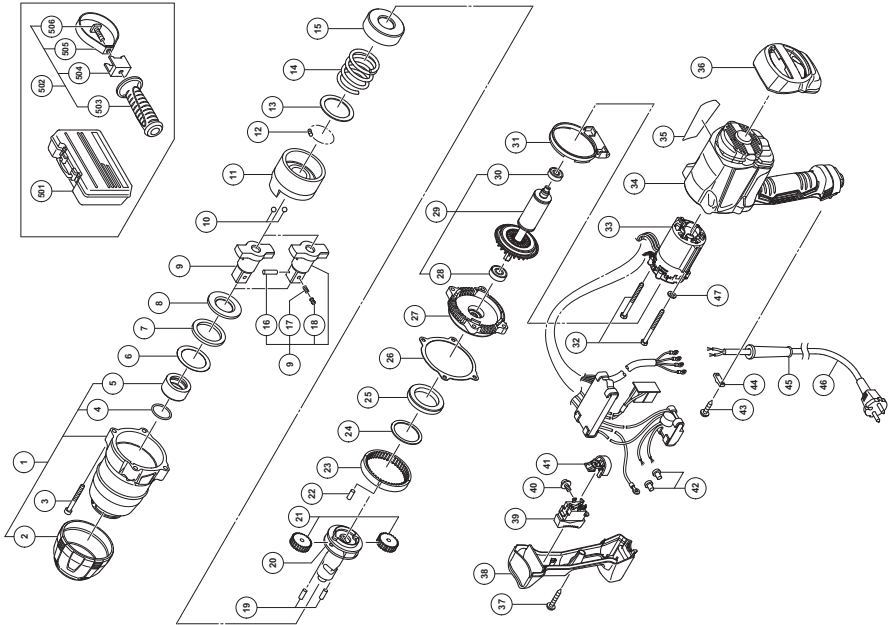
Cuando se utilice la barra de extensión, la tensión de apriete se reduce ligeramente en comparación a la tensión lograda con el receptáculo ordinario. Para obtener la misma tensión será necesario operar la herramienta durante un poco más de tiempo.



NOTA:

Las especificaciones están sujetas a cambio sin ninguna obligación por parte de metabo HPT.

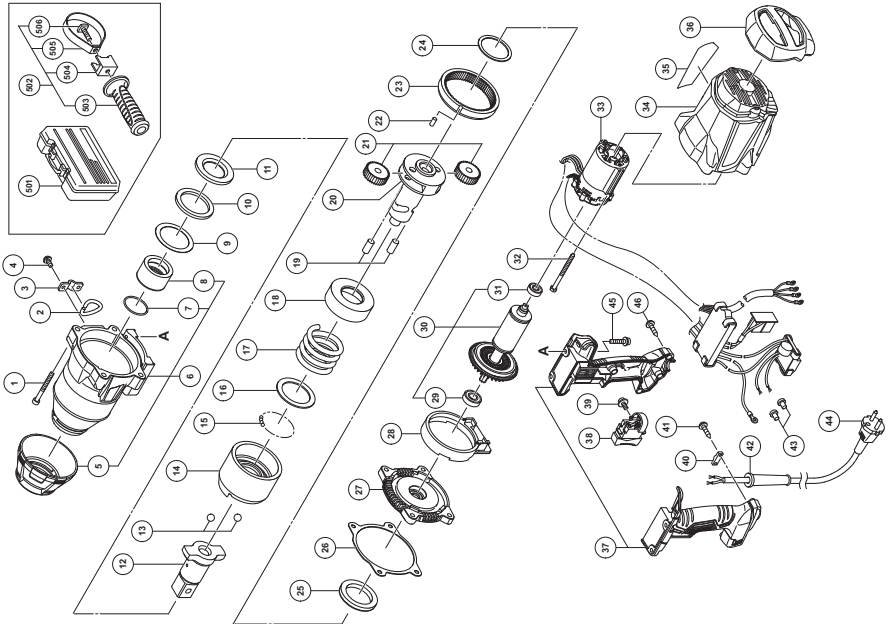
WR 22SE



Item No.	Part Name	QTY
43	TAPPING SCREW (W/FLANGE) D4x16	2
44	CORD CLIP	1
45	CORD ARMOR	1
46	CORD	1
501	PLASTIC CASE	1
502	SIDE HANDLE ASSY	1
503	SIDE HANDLE	1
504	HANDLE HOLDER	1
505	HANDLE RING	1
506	SQUARE BOLT M8	1

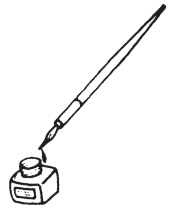
Item No.	Part Name	QTY
1	HAMMER CASE(D) ASSY	1
2	BUMPER(D)	1
3	SEAL LOCK HEX. SOCKET HD. BOLT M3	4
4	O-RING	1
5	METAL(F)	1
6	WASHER(D)	1
7	DAMPER(D)	1
8	WASHER(F)	1
9	ANVIL(A)	1
9	ANVIL(B)ASSY	1
10	STEEL BALL D7.14	2
11	HAMMER(D)	1
12	STEEL BALL D3.969	38
13	HAMMER WASHER	1
14	SPRING	1
15	SPRING SHEET	1
16	ROLL PIN D2x14	1
17	SPRING	1
18	PLUNGER	1
19	GEAR SHAFT	2
20	SPINDLE	1
21	IDLE GEAR	2
22	NEEDLE ROLLER D5x10	1
23	RING GEAR	1
24	WASHER(E)	1
25	METAL(E)	1
26	PACKING(D)	1
27	INNER COVER(D)	1
28	BALL BEARING	1
29	ROTOR ASSY(D)	1
30	BALL BEARING	1
31	FAN GUIDE(D)	1
32	HEX. HEAD TAPPING SCREW D4x60	2
33	STATOR CONTROLLER (D) SET	1
34	HOUSING(D)	1
35	NAME PLATE	1
36	TAIL BUMPER(D)	1
37	TAPPING SCREW (W/FLANGE)	1
38	HANDLE COVER(D)	1
39	SWITCH	1
40	MACHINE SCREW (W/WASHER) M3.5x5	4
41	SWITCH ADAPTER	1
42	CONNECTOR	2

WR 25SE



Item No.	Part Name	QTY
43	CONNECTOR 50091	2
44	CORD	1
45	HEX. SOCKET HD. BOLT (W/WASH-ERS) M5X20	4
46	TAPPING SCREW (W/FLANGE) D4X20	4
501	CASE (PLASTIC)	1
502	SIDE HANDLE ASSY	1
503	SIDE HANDLE	1
504	HANDLE HOLDER	1
505	HANDLE RING	1
506	SQUARE BOLT M8	1

Item No.	Part Name	QTY
1	SEAL LOCK HEX. SOCKET HD. BOLT M6X50	4
2	HANGER (B)	1
3	HANGER (A)	1
4	SEAL LOCK SCREW (W/SP. WASHER) M5X12	2
5	BUMPER (C)	1
6	HAMMER CASE (C)	1
7	O-RING (P-35)	1
8	METAL (B)	1
9	WASHER (C)	1
10	DAMPER (C)	1
11	WASHER (B)	1
12	ANVIL (C)	1
13	STEEL BALL DT10.3	2
14	HAMMER (C)	1
15	STEEL BALL D4.76	35
16	HAMMER WASHER (C)	1
17	HAMMER SPRING (C)	1
18	SPRING SHEET (C)	1
19	NEEDLE ROLLER	2
20	SPINDLE (C)	1
21	IDLE GEAR (C)	2
22	NEEDLE ROLLER	2
23	RING GEAR (C)	1
24	WASHER (A)	1
25	METAL (A)	1
26	PACKING (C)	1
27	INNER COVER (C)	1
28	FAN GUIDE (C)	1
29	BALL BEARING 6001DDCMPS2L	1
30	ROTOR ASSY	1
31	BALL BEARING 608VV	1
32	HEX. HD. TAPPING SCREW D5X70	2
33	STATOR CONTROLLER (C) SET	1
34	HOUSING (C)	1
35	NAME PLATE	1
36	TAIL BUMPER (C)	1
37	HANDLE (A),(B) SET	1
38	SWITCH	1
39	MACHINE SCREW (W/WASHER) M3.5X5	4
40	CORD CLIP	1
41	TAPPING SCREW (W/FLANGE) D4X16	2
42	CORD ARMOR D8.8	1



WARNING:

Some dust created by power sanding, sawing, grinding, drilling, and other construction activities contains chemicals known to the State of California to cause cancer, birth defects or other reproductive harm. Some examples of these chemicals are:

- Lead from lead-based paints,
- Crystalline silica from bricks and cement and other masonry products, and
- Arsenic and chromium from chemically-treated lumber.

Your risk from these exposures varies, depending on how often you do this type of work. To reduce your exposure to these chemicals: work in a well ventilated area, and work with approved safety equipment, such as those dust masks that are specially designed to filter out microscopic particles.

AVERTISSEMENT:

La poussière résultant d'un ponçage, d'un sciage, d'un meulage, d'un perçage ou de toute autre activité de construction renferme des produits chimiques qui sont connus par l'Etat de Californie pour causer des cancers, des défauts de naissance et autres anomalies de reproduction. Nous énumérons ci-dessus certains de ces produits chimiques:

- Plomb des peintures à base de plomb,
- Silice cristalline des briques et du ciment et autres matériaux de maçonnerie, et
- Arsenic et chrome du bois d'oeuvre traité chimiquement.

Le risque d'exposition à ces substances varie en fonction de la fréquence d'exécution de ce genre de travail. Pour réduire l'exposition à ces produits chimiques, travailler dans un lieu bien ventilé, et porter un équipement de protection agréé, par exemple un masque anti-poussière spécialement conçu pour filter les particules microscopiques.

ADVERTENCIA:

Algunos polvos creados por el lijado mecánico, el aserrado, el esmerilado, el taladrado y otras actividades de construcción contienen sustancias químicas conocidas por le Estado de California como agentes cancerígenos, defectos congénitos y otros daños reproductores. Algunos ejemplos de estas sustancias químicas son:

- El plomo de las pinturas a base de plomo,
- El sílice cristalino de los ladrillos y cemento y otros productos de mampostería, y
- El arsénico y el cromo de la madera tratada químicamente.

El riesgo resultante de la exposición varía según la frecuencia con que se realiza este tipo de trabajo. Para reducir la exposición a esta sustancias químicas: trabaje en un lugar bien ventilado y realice el trabajo utilizando el equipamiento apropiado, tal como las máscaras para el polvo especialmente diseñados para eliminar las partículas minúsculas.

Issued by

Koki Holdings Co., Ltd.

Shinagawa Intercity Tower A, 15-1, Konan 2-chome,
Minato-ku, Tokyo 108-6020, Japan

Distributed by

Koki Holdings America Ltd.

1111 Broadway Ave,
Braselton, Georgia, 30517

Koki Holdings America Ltd. Canadian Branch

3405 American Drive, Units 9-10,
Mississauga, ON, L4V 1T6

806
Code No. C99711762 N
Printed in Japan