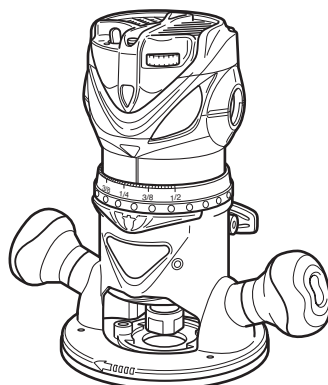


Model
Modèle
Modelo

M 12VC • M 12SC
KM 12VC • KM 12SC

Router
Toupe
Fresadora



M12VC

SAFETY INSTRUCTIONS AND INSTRUCTION MANUAL

⚠ WARNING

IMPROPER OR UNSAFE use of this power tool can result in death or serious bodily injury!

This manual contains important information about product safety. Please read and understand this manual **BEFORE** operating the power tool. Please keep this manual available for other users and owners before they use the power tool. This manual should be stored in safe place.

INSTRUCTIONS DE SECURITE ET MODE D'EMPLOI

⚠ AVERTISSEMENT

Une utilisation **INCORRECTE OU DANGEREUSE** de cet outil motorisé peut entraîner la mort ou de sérieuses blessures corporelles !

Ce mode d'emploi contient d'importantes informations à propos de la sécurité de ce produit. Prière de lire et de comprendre ce mode d'emploi **AVANT** d'utiliser l'outil motorisé. Garder ce mode d'emploi à la disponibilité des autres utilisateurs et propriétaires avant qu'ils utilisent l'outil motorisé. Ce mode d'emploi doit être conservé dans un endroit sûr.

INSTRUCCIONES DE SEGURIDAD Y MANUAL DE INSTRUCCIONES

⚠ ADVERTENCIA

¡La utilización **INAPROPIADA O PELIGROSA** de esta herramienta eléctrica puede resultar en lesiones de gravedad o la muerte!

Este manual contiene información importante sobre la seguridad del producto. Lea y comprenda este manual **ANTES** de utilizar la herramienta eléctrica. Guarde este manual para que puedan leerlo otras personas antes de utilizar la herramienta eléctrica. Este manual debe ser guardado en un lugar seguro.

CONTENTS

English

	Page		Page
IMPORTANT SAFETY INFORMATION	3	ASSEMBLY AND OPERATION	9
MEANINGS OF SIGNAL WORDS	3	APPLICATIONS	9
SAFETY	4	PRIOR TO OPERATION	9
GENERAL POWER TOOL SAFETY WARNINGS	4	INSTALLING AND REMOVING BITS	10
SPECIFIC SAFETY RULES AND SYMBOLS	5	INSTALLING THE MOTOR HOUSING	11
USE OF EXTENSION CORD	7	HOW TO USE THE ROUTER	11
FUNCTIONAL DESCRIPTION	8	MAINTENANCE AND INSPECTION	15
NAME OF PARTS	8	ACCESSORIES	17
SPECIFICATIONS	8	STANDARD ACCESSORIES	17
		OPTIONAL ACCESSORIES	18
		PARTS LIST	51

TABLE DES MATIERES

Français

	Page		Page
INFORMATIONS IMPORTANTES		ASSEMBLAGE ET FONCTIONNEMENT	25
DE SÉCURITÉ	19	APPLICATIONS	25
SIGNIFICATION DES MOTS		AVANT L'UTILISATION	25
D'AVERTISSEMENT	19	INSTALLATION ET RETRAIT DE LA MECHE	26
SÉCURITÉ	20	INSTALLATION DU CARTER MOTEUR	27
AVERTISSEMENTS DE SÉCURITÉ GÉNÉRAUX		UTILISATION DE LA TOUPIE	27
CONCERNANT LES OUTILS ÉLECTRIQUES	20	ENTRETIEN ET INSPECTION	31
RÈGLES DE SÉCURITÉ SPÉCIFIQUES		ACCESSOIRES	33
ET SYMBOLES	21	ACCESSOIRES STANDARD	33
UTILISATION D'UN CORDON DE RALLONGE ...	23	ACCESSOIRES SUR OPTION	34
DESCRIPTION FONCTIONNELLE	24	LISTE DES PIÈCES	51
NOM DES PARTIES	24		
SPECIFICATIONS	24		

ÍNDICE

Español

	Página		Página
INFORMACIÓN IMPORTANTE		MONTAJE Y OPERACIÓN	41
SOBRE SEGURIDAD	35	APLICACIONES	41
SIGNIFICADO DE LAS PALABRAS		ANTES DE LA OPERACIÓN	41
DE SEÑALIZACIÓN	35	INSTALACIÓN Y EXTRACCIÓN DE	
SEGURIDAD	36	LAS BROCAS	42
ADVERTENCIAS DE SEGURIDAD GENERAL		INSTALACIÓN DE LA CARCASA	
DE LA HERRAMIENTA ELÉCTRICA	36	DEL MOTOR	43
NORMAS Y SÍMBOLOS		CÓMO USAR LA FRESDADORA	43
ESPECÍFICOS DE SEGURIDAD	37	MANTENIMIENTO E INSPECCIÓN	47
UTILIZACIÓN DE UN CABLE PROLONGADOR ...	39	ACCESORIOS	49
DESCRIPCIÓN FUNCIONAL	40	ACCESORIOS ESTÁNDAR	49
NOMENCLATURA	40	ACCESORIOS OPCIONALES	50
SPECIFICATIONS	40	LISTA DE PIEZAS	51

IMPORTANT SAFETY INFORMATION

Read and understand all of the safety precautions, warnings and operating instructions in the Instruction Manual before operating or maintaining this power tool.

Most accidents that result from power tool operation and maintenance are caused by the failure to observe basic safety rules or precautions. An accident can often be avoided by recognizing a potentially hazardous situation before it occurs, and by observing appropriate safety procedures.

Basic safety precautions are outlined in the "SAFETY" section of this Instruction Manual and in the sections which contain the operation and maintenance instructions.

Hazards that must be avoided to prevent bodily injury or machine damage are identified by WARNINGS on the power tool and in this Instruction Manual.

NEVER use this power tool in a manner that has not been specifically recommended by metabo HPT.

MEANINGS OF SIGNAL WORDS

WARNING indicates a potentially hazardous situations which, if ignored, could result in death or serious injury.

CAUTION indicates a potentially hazardous situations which, if not avoided, may result in minor or moderate injury, or may cause machine damage.

NOTE emphasizes essential information.

SAFETY

GENERAL POWER TOOL SAFETY WARNINGS

WARNING:

Read all safety warnings and all instructions.

Failure to follow the warnings and instructions may result in electric shock, fire and/or serious injury.

Save all warnings and instructions for future reference.

The term “power tool” in the warnings refers to your mains-operated (corded) power tool or battery-operated (cordless) power tool.

1) Work area safety

a) Keep work area clean and well lit.

Cluttered or dark areas invite accidents.

b) Do not operate power tools in explosive atmospheres, such as in the presence of flammable liquids, gases or dust.

Power tools create sparks which may ignite the dust or fumes.

c) Keep children and bystanders away while operating a power tool.

Distractions can cause you to lose control.

2) Electrical safety

a) Power tool plugs must match the outlet. Never modify the plug in any way.

Do not use any adapter plugs with earthed (grounded) power tools.

Unmodified plugs and matching outlets will reduce risk of electric shock.

b) Avoid body contact with earthed or grounded surfaces such as pipes, radiators, ranges and refrigerators.

There is an increased risk of electric shock if your body is earthed or grounded.

c) Do not expose power tools to rain or wet conditions.

Water entering a power tool will increase the risk of electric shock.

d) Do not abuse the cord. Never use the cord for carrying, pulling or unplugging the power tool.

Keep cord away from heat, oil, sharp edges or moving parts.

Damaged or entangled cords increase the risk of electric shock.

e) When operating a power tool outdoors, use an extension cord suitable for outdoor use.

Use of a cord suitable for outdoor use reduces the risk of electric shock.

f) If operating a power tool in a damp location is unavoidable, use a residual current device (RCD) protected supply.

Use of an RCD reduces the risk of electric shock.

3) Personal safety

a) Stay alert, watch what you are doing and use common sense when operating a power tool.

Do not use a power tool while you are tired or under the influence of drugs, alcohol or medication.

A moment of inattention while operating power tools may result in serious personal injury.

b) Use personal protective equipment. Always wear eye protection.

Protective equipment such as dust mask, non-skid safety shoes, hard hat, or hearing protection used for appropriate conditions will reduce personal injuries.

c) Prevent unintentional starting. Ensure the switch is in the off-position before connecting to power source and/or battery pack, picking up or carrying the tool.

Carrying power tools with your finger on the switch or energising power tools that have the switch on invites accidents.

d) Remove any adjusting key or wrench before turning the power tool on.

A wrench or a key left attached to a rotating part of the power tool may result in personal injury.

e) Do not overreach. Keep proper footing and balance at all times.

This enables better control of the power tool in unexpected situations.

f) Dress properly. Do not wear loose clothing or jewellery. Keep your hair, clothing and gloves away from moving parts.

Loose clothes, jewellery or long hair can be caught in moving parts.

- g) If devices are provided for the connection of dust extraction and collection facilities, ensure these are connected and properly used.

Use of dust collection can reduce dust-related hazards.

4) Power tool use and care

- a) **Do not force the power tool. Use the correct power tool for your application.**

The correct power tool will do the job better and safer at the rate for which it was designed.

- b) **Do not use the power tool if the switch does not turn it on and off.**

Any power tool that cannot be controlled with the switch is dangerous and must be repaired.

- c) **Disconnect the plug from the power source and/or the battery pack from the power tool before making any adjustments, changing accessories, or storing power tools.**

Such preventive safety measures reduce the risk of starting the power tool accidentally.

- d) **Store idle power tools out of the reach of children and do not allow persons unfamiliar with the power tool or these instructions to operate the power tool.**

Power tools are dangerous in the hands of untrained users.

- e) **Maintain power tools. Check for misalignment or binding of moving parts, breakage of parts and any other condition that may affect the power tool's operation. If damaged, have the power tool repaired before use.**

Many accidents are caused by poorly maintained power tools.

- f) **Keep cutting tools sharp and clean.**

Properly maintained cutting tools with sharp cutting edges are less likely to bind and are easier to control.

- g) **Use the power tool, accessories and tool bits etc. in accordance with these instructions, taking into account the working conditions and the work to be performed.**

Use of the power tool for operations different from those intended could result in a hazardous situation.

5) Service

- a) **Have your power tool serviced by a qualified repair person using only identical replacement parts.**

This will ensure that the safety of the power tool is maintained.

SPECIFIC SAFETY RULES AND SYMBOLS

1. **Hold power tool by insulated gripping surfaces, because the cutter may contact its own cord.** Cutting a "live" wire may make exposed metal parts of the power tool "live" and shock the operator.

2. **Use clamps or another practical way to secure and support the workpiece to a stable platform.**

Holding the work by your hand or against the body leaves it unstable and may lead to loss of control.

3. **ALWAYS wear ear protectors when using the tool for extended periods.**



Prolonged exposure to high intensity noise can cause hearing loss.

4. **Handle the bits very carefully.**
5. **Check the bit carefully for cracks or damage before operation. Replace cracked or damaged bit immediately.**
6. **Avoid cutting nails. Inspect for and remove all nails from the workpiece before operation.**
7. **Hold the tool firmly with both hands.**
8. **Keep hands away from rotating parts.**
9. **Make sure the bit is not contacting the workpiece before the switch is turned on.**
10. **Before using the tool on an actual workpiece, let it run for a while. Watch for vibration or wobbling that could indicate improperly installed bit.**
11. **Be careful of the bit rotating direction and the feed direction.**
12. **Do not leave the tool running. Operate the tool only when hand-held.**
13. **Always switch off and wait for the bit to come to a complete stop before removing the tool from workpiece.**
14. **Do not touch the bit immediately after operation: it may be extremely hot and could burn your skin.**
15. **Always lead the power supply cord away from the tool towards the rear.**
16. **Never run the motor unit when it is not inserted in one of the router bases.**
The motor is not designed to be handheld.
17. **After changing the bits or making any adjustments, make sure the collet nut and any other adjustment devices are securely tightened.**
Loose adjustment device can unexpectedly shift, causing loss of control, loose rotating components will be violently thrown.

18. Definitions for symbols used on this tool

- V volts
- Hz hertz
- A amperes
- n_0 no load speed
- /min revolutions per minute
- \sim alternating or direct current

 **WARNING:**

Some dust created by power sanding, sawing, grinding, drilling, and other construction activities contains chemicals known to cause cancer, birth defects or other reproductive harm. Some examples of these chemicals are:

- lead from lead-based paint.
- crystalline silica from bricks and cement and other masonry products.
- arsenic and chromium from chemically-treated lumber.

Your risk from these exposures varies, depending on how often you do this type of work. To reduce your exposure to these chemicals: work in a well ventilated area, and work with approved safety equipment, such as those dust masks that are specially designed to filter out microscopic particles.

USE OF EXTENSION CORD

Make sure your extension cord is in good condition. When using an extension cord, be sure to use one heavy enough to carry the current your product will draw.

An undersized cord will cause a drop in line voltage resulting in loss of power and overheating. Table shows the correct size to use depending on cord length and nameplate ampere rating. If in doubt, use the next heavier gage. The smaller the gage number, the heavier the cord.

MINIMUM GAGE FOR CORD SETS

		Total Length of Cord in Feet (Meter)			
		0 – 25 (0 – 7.6)	26 – 50 (7.9 – 15.2)	51 – 100 (15.5 – 30.5)	101 – 150 (30.8 – 45.7)
Ampere More Than	Rating Not More Than	AWG			
	0 – 6	18	16	16	14
	6 – 10	18	16	14	12
	10 – 12	16	16	14	12
	12 – 16	14	12	Not Recommended	

⚠ WARNING: Avoid electrical shock hazard. Never use this tool with a damaged or frayed electrical cord or extension cord. Inspect all electrical cords regularly. Never use in or near water or in any environment where electric shock is possible.

**SAVE THESE INSTRUCTIONS
AND
MAKE THEM AVAILABLE TO
OTHER USERS
AND
OWNERS OF THIS TOOL!**

FUNCTIONAL DESCRIPTION

NOTE:

The information contained in this Instruction Manual is designed to assist you in the safe operation and maintenance of the power tool.

NEVER operate, or attempt any maintenance on the tool unless you have first read and understood all safety instructions contained in this manual.

Some illustrations in this Instruction Manual may show details or attachments that differ from those on your own power tool.

NAME OF PARTS

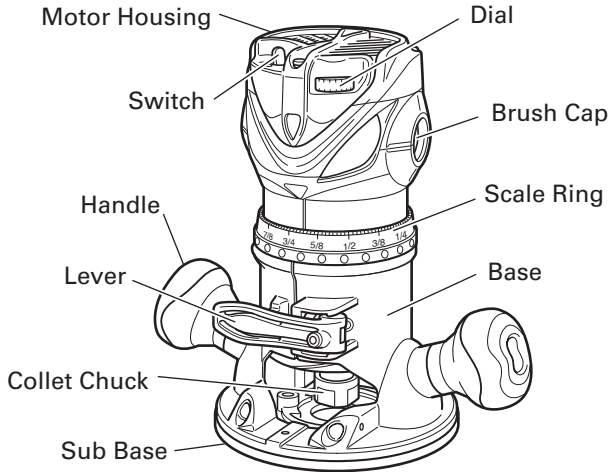


Fig. 1

SPECIFICATIONS

Model	M12VC	M12SC
Motor	Single Phase, Series Commutator Motor	
Power source	Single Phase 120V AC 60 Hz	
Collet chuck capacity	1/2" (12.7 mm), 1/4" (6.35 mm)	
Current	11 A	
No-load speed	8000/min – 24000/min	24000/min
Weight (with cord)	7.3 lbs (3.3 kg)	

ASSEMBLY AND OPERATION

APPLICATIONS

- Woodworking jobs centered on grooving and beveling.
For example, grooving beveling, cutting, copying, engraving, shape cutting, combinations and others.

PRIOR TO OPERATION

1. Power source
Ensure that the power source to be utilized conforms to the power source requirements specified on the product nameplate.
2. Power switch
Ensure that the switch is in the OFF position. If the plug is connected to a receptacle while the switch is in the ON position, the power tool will start operating immediately and can cause serious injury.
3. Extension cord
When the work area is far away from the power source, use an extension cord of sufficient thickness and rated capacity. The extension cord should be kept as short as practicable.



⚠ WARNING:
Damaged cord must be replaced or repaired.

4. Check the receptacle
If the receptacle only loosely accepts the plug, the receptacle must be repaired. Contact a licensed electrician to make appropriate repairs.
If such a faulty receptacle is used, it may cause overheating, resulting in a serious hazard.
5. Confirming condition of the environment
Confirm that the work site is placed under appropriate conditions conforming to prescribed precautions.

INSTALLING AND REMOVING BITS

⚠ WARNING: Be sure to switch power OFF and disconnect the plug from the receptacle to avoid serious trouble.

1. Installing bits

- (1) Remove the motor housing from base as follows.
 - (a) Open the lever. (Fig. 2)
 - (b) While holding the base, turn the motor housing counterclockwise.
 - (c) Turn it until the pin in the base is disengaged from the groove in the motor housing. Lift the motor housing free from the base.
- (2) Clean and insert shank of bit into the collet chuck until shank bottoms, then back it out approximately 1/16" (approx. 2 mm).
- (3) With the bit inserted and 16 mm wrench holding the armature shaft, use the 23 mm wrench to firmly tighten the collet chuck in a clockwise direction (viewed from under the router). (Fig. 3)
- (4) When using the 1/4" diameter shank bit, replace the equipped collet chuck with the one for 1/4" diameter shank bit which is provided as the standard accessory.

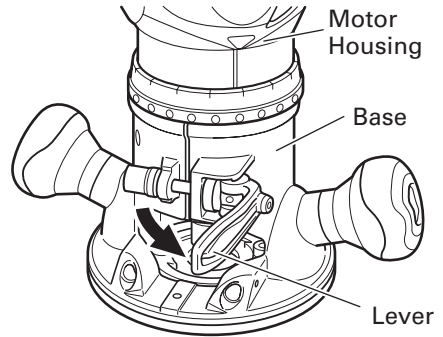


Fig. 2

⚠ CAUTION:

- Ensure that the collet chuck is firmly tightened after inserting a bit. Failure to do so will result in damage to the collet chuck.

2. Removing bits

When removing the bits, do so by following the steps for installing bits in reverse order.

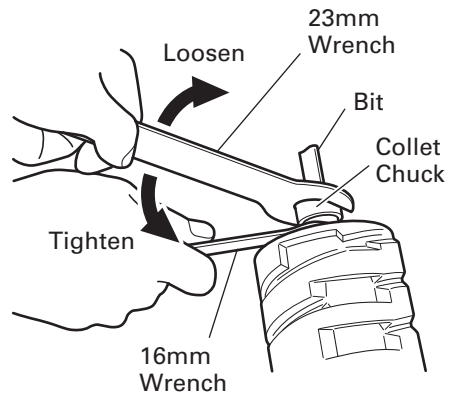


Fig. 3

INSTALLING THE MOTOR HOUSING

⚠ WARNING: Be sure to switch power OFF and disconnect the plug from the receptacle to avoid serious trouble.

1. Installing the motor housing
 - (1) Open the lever.
 - (2) While holding the base, insert the motor housing into the base aligning the pin with the groove in the base.
 - (3) Confirm that the pin and the groove are aligning. Rotate the motor housing clockwise into the base.
 - (4) Close the lock lever.

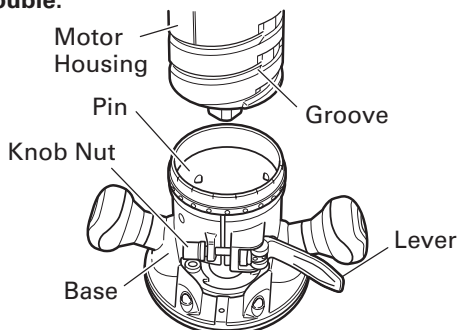


Fig. 4

⚠ CAUTION:

You should be able to clamp the locking lever without excessive force. Excessive force may damage the base. You should not be able to move the motor in the base when the lever is clamped. To adjust the lever's clamping force, open the locking lever and turn the knob nut in small increments. Turning the knob nut clockwise tightens the lever, while turning the knob nut counterclockwise loosens the lever.

HOW TO USE THE ROUTER

⚠ WARNING: Be sure to switch power OFF and disconnect the plug from the receptacle to avoid serious trouble.

1. Adjusting depth of cut
 - (1) Place the tool on a flat wood surface.
 - (2) Open the lever and turn the motor housing until the bit just touches the flat surface. (Fig. 5)
 - (3) Clamp the lever down until the point where a click can be felt. (Fig. 6)

NOTE:

The motor housing can be temporarily secured by clamping the lever (the motor housing does not slide down by its own weight).

If the motor housing slides down, make adjustments by tightening the knob nut. Turning the knob nut clockwise tightens the lever, while turning the knob nut counterclockwise loosens the lever.

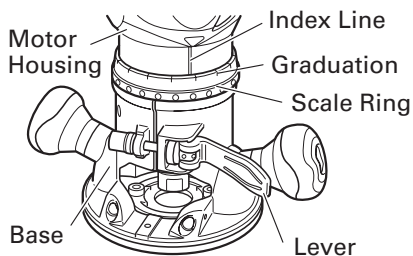


Fig. 5

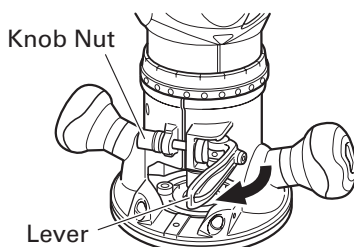


Fig. 6

(4) While holding up the base slightly, turn the motor housing clockwise until the index line on the motor housing reaches the desired depth indicated on the scale ring. (Fig. 5)

(5) Close the lever firmly.

2. Adjusting the rotation speed (Model M12VC only)

The M12VC have an electronic control system that allows stepless rpm changes. As shown in Fig. 7 dial position "1" is for minimum speed and position "6" for maximum speed.

3. Centering the template guide adapter

⚠ WARNING: Be sure to switch power OFF and disconnect the plug from the receptacle to avoid serious trouble.

(1) Loosen the 2 template guide adapter screws, so that the template guide adapter can be moved. (Fig. 8)

(2) Insert the centering gauge through the hole in the template guide adapter and into the collet chuck. (Fig. 9)

(3) Tighten the collet chuck by hand.

(4) Tighten the lever. (This aligns the center of the template guide adapter.)

(5) Tighten the template guide adapter screws, and pull out the centering gauge.

4. Guiding the router

(1) Template guide (M12VC, M12SC: Optional accessory)

Use the template guide when employing a template for producing a large quantity of identically shaped products. (Fig. 10)

As shown in Fig. 11, to install insert template guide in center hole in template guide adapter and secure in place with the lock nut.

A template is a profiling mold made of plywood or thin lumber. When making a template, pay particular attention to the matters described below and illustrated in Fig. 12.

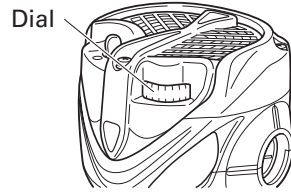


Fig. 7

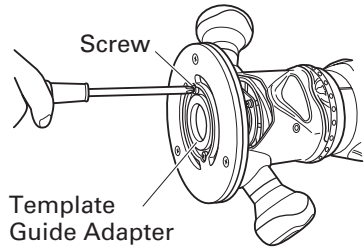


Fig. 8

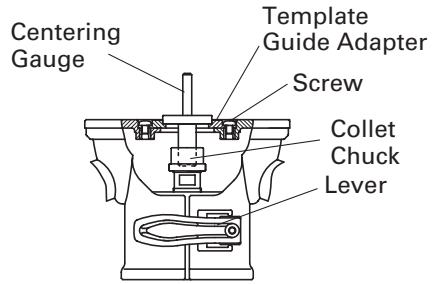


Fig. 9

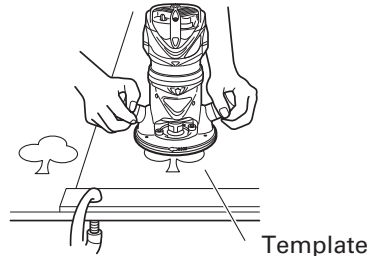


Fig. 10

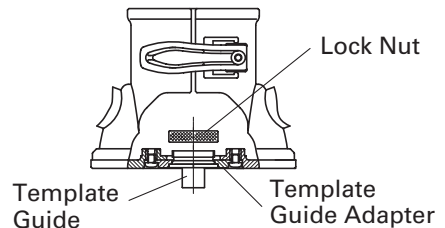


Fig. 11

When using the router along the interior plane of the template, the dimensions of the finished product will be less than the dimensions of the template by an amount equal to dimension "A", the difference between the radius of the template guide and the radius of the bit. The reverse is true when using the router along the exterior of the template.

Secure the template to the workpiece. Feed the router in the manner that the template guide moves along the template as shown in Fig. 12.

- (2) Straight guide (optional accessory)
Use straight guide for chamfering and groove cutting along the materials side.
 - ① Insert the guide bar into the hole in the bar holder, then lightly tighten the 2 wing bolts (A) on top of the bar holder.
 - ② Insert the guide bar into the hole in the base, then firmly tighten the 2 hex socket bolts (standard accessories).
 - ③ Make minute adjustments of the dimensions between the bit and the guide surface with the feed screw, then firmly tighten the 2 wing bolts (A) on top of the bar holder and the wing bolt (B) that secures the straight guide. (Fig.13)
 - ④ As shown in Fig. 14, securely attach the bottom of the base to processed surface of the materials. Feed the router while keeping the guide plane on the surface of the materials.
5. Cutting

⚠ WARNING:

- Wear eye protection when operating this tool.
- Keep your hands, face and other body parts away from the bits and any other rotating parts, while operating the tool.

- (1) The bit must be kept clear of the materials which are to be cut, when the power is being turned on. (Fig. 15)
- (2) Then turn the tool on and wait until the bit attains full speed.

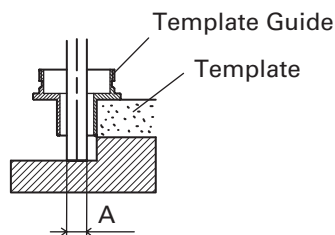


Fig. 12

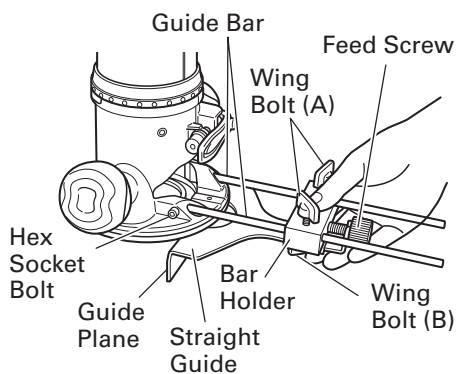


Fig. 13

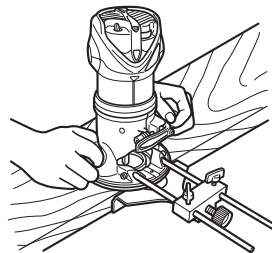


Fig. 14

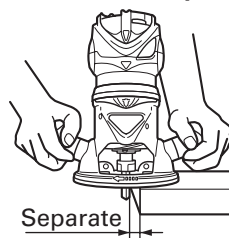


Fig. 15

- (3) The bit rotates clockwise (arrow direction indicated on the base). To obtain maximum conformance with the feed directions shown in Fig. 16.

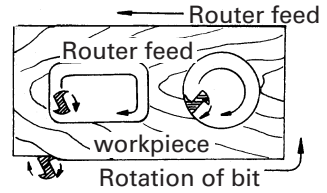


Fig. 16

NOTE:

- Moving the tool forward fast may cause a poor quality of cut, or damage to the bit or motor. Moving the tool forward too slowly may burn and mar the cut. The proper feed rate will depend on the bit size, the kind of workpiece and depth of cut. Before beginning the cut on the actual workpiece, it is advisable to make a sample cut on a piece of scrap lumber. This will show exactly how the cut will look as well as enable you to check dimensions.
- Abnormalities and overloads will trigger the overload protector, and stop operation. Remove the load immediately, and turn the power off, then on. The rotation speed should return to normal.
- Do not use a power generator as the power source. It may cause the rotation speed to fluctuate.
- When using the straight guide, be sure to install it on the right side in the feed direction. This will help to keep it flush with the side of the workpiece.

MAINTENANCE AND INSPECTION

⚠ WARNING: Be sure to switch power OFF and disconnect the plug from the receptacle during maintenance and inspection.

1. Inspecting the screws

Regularly inspect all screws and ensure that they are fully tightened. Should any of the screws be loosened, retighten them immediately.

⚠ WARNING: Using this router with loosened screws is extremely dangerous.

2. Inspecting the carbon brushes (Fig. 17)

The motor employs carbon brushes which are consumable parts. Replace the carbon brush with a new one when it becomes worn to its wear limit. Always keep carbon brushes clean and ensure that they slide freely within the brush holders.

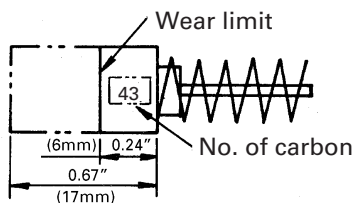


Fig. 17

⚠ CAUTION: Using this router with a carbon brush which is worn in excess of the wear limit will damage the motor.

NOTE: Use metabo HPT carbon brush No. 43 indicated in Fig. 17.

3. Replacing carbon brushes

Remove the brush caps with a slotted screwdriver. The carbon brushes can then be easily removed. (Fig. 18)

4. Service and repairs

All quality power tools will eventually require servicing or replacement of parts because of wear from normal use. To assure that only authorized replacement parts will be used, all service and repairs must be performed by a metabo HPT AUTHORIZED SERVICE CENTER, ONLY.

5. Service parts list

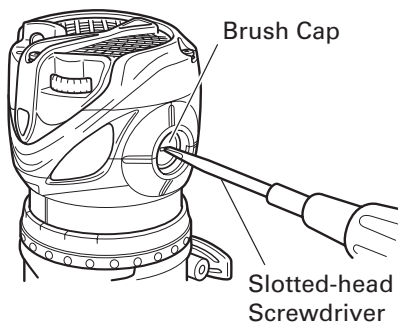



Fig. 18

⚠ CAUTION: Repair, modification and inspection of metabo HPT Power Tools must be carried out by a metabo HPT Authorized Service Center.

This Parts List will be helpful if presented with the tool to the metabo HPT Authorized Service Center when requesting repair or other maintenance. In the operation and maintenance of power tools, the safety regulations and standards prescribed in each country must be observed.

6. Service parts list

- A: Item No.
- B: Code No.
- C: No. Used
- D: Remarks

 **CAUTION:** Repair, modification and inspection of metabo HPT Power Tools must be carried out by an metabo HPT Authorized Service Center.

This Parts List will be helpful if presented with the tool to the metabo HPT Authorized Service Center when requesting repair or other maintenance. In the operation and maintenance of power tools, the safety regulations and standards prescribed in each country must be observed.

MODIFICATIONS:

metabo HPT Power Tools are constantly being improved and modified to incorporate the latest technological advancements.

Accordingly, some parts (i.e. code numbers and/or design) may be changed without prior notice.

ACCESSORIES

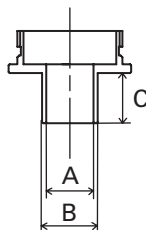
⚠ WARNING: ALWAYS use Only authorized metabo HPT replacement parts and accessories. NEVER use replacement parts or accessories which are not intended for use with this tool. Contact metabo HPT if you are not sure whether it is safe to use a particular replacement part or accessory with your tool. The use of any other attachment or accessory can be dangerous and could cause injury or mechanical damage.

NOTE:

Accessories are subject to change without any obligation on the part of the metabo HPT.

STANDARD ACCESSORIES

1. Model M12VC, M12SC
 - (1) 1/4" Collet Chuck (Code No. 323-293)
 - (2) Template Guide Adapter (attaches to the router) (Code No. 323-272)
 - (3) Centering Gauge (Code No. 323-296)
 - (4) 16 mm Wrench (Code No. 323-294)
 - (5) 23 mm Wrench (Code No. 323-295)
2. Model KM12VC, KM12SC
 - (1) 1/4" Collet Chuck (Code No. 323-293)
 - (2) Template Guide Adapter (attaches to the router) (Code No. 323-272)
 - (3) Centering Gauge (Code No. 323-296)
 - (4) 16 mm Wrench (Code No. 323-294)
 - (5) 23 mm Wrench (Code No. 323-295)
 - (6) Large Hole Sub Base (Code No. 323-297)
 - (7) Template Guide (Fig. 19)
 - (8) Lock Nut (Code No. 323-305)
 - (9) Chip Cover (Code No. 323-292)
 - (10) Case (Code No. 323-358)



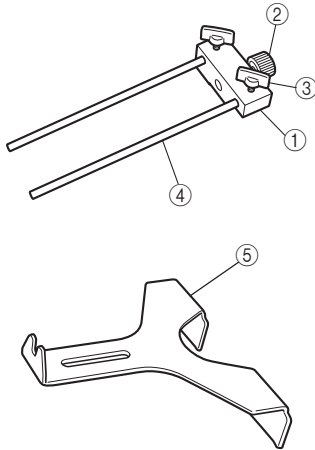
Code No.	A	B	C
323-298	1/4" (6.5 mm)	5/16" (8 mm)	5/32" (4 mm)
323-299	9/32" (7 mm)	3/8" (9.5 mm)	5/16" (8 mm)
323-300	11/32" (8.7 mm)	7/16" (11.1 mm)	5/32" (4 mm)
323-301	13/32" (10.3 mm)	1/2" (12.7 mm)	5/16" (8 mm)
323-302	17/32" (13.5 mm)	5/8" (16 mm)	9/16" (14.3 mm)
323-303	21/32" (16.6 mm)	3/4" (19.1 mm)	9/16" (14.3 mm)
323-304	5/8" (16 mm)	51/64" (20.2 mm)	9/16" (14.3 mm)

Fig. 19

OPTIONAL ACCESSORIES sold separately

(1) Straight Guide Set (Code No. 323-342)

- ① Bar Holder (Code No. 323-343)
- ② Feed Screw (Code No. 956-793)
- ③ Wing Bolt (Code No. 301-806)
- ④ Guide Bar (Code No. 323-345)
- ⑤ Straight Guide (Code No. 323-344)



(2) Dust Collector Set (Code No. 323-346)



NOTE:

Specifications are subject to change without any obligation on the part of the metabo HPT.

INFORMATIONS IMPORTANTES DE SÉCURITÉ

Lire et comprendre toutes les précautions de sécurité, les avertissements et les instructions de fonctionnement dans ce mode d'emploi avant d'utiliser ou d'entretenir cet outil motorisé.

La plupart des accidents causés lors de l'utilisation ou de l'entretien de l'outil motorisé proviennent d'un non respect des règles ou précautions de base de sécurité. Un accident peut la plupart du temps être évité si l'on reconnaît une situation de danger potentiel avant qu'elle ne se produise, et en observant les procédures de sécurité appropriées.

Les précautions de base de sécurité sont mises en évidence dans la section "SECURITE" de ce mode d'emploi et dans les sections qui contiennent les instructions de fonctionnement et d'entretien.

Les dangers qui doivent être évités pour prévenir des blessures corporelles ou un endommagement de la machine sont identifiés par AVERTISSEMENTS sur l'outil motorisé et dans ce mode d'emploi.

NE JAMAIS utiliser cet outil motorisé d'une manière qui n'est pas spécifiquement recommandée par metabo HPT.

SIGNIFICATION DES MOTS D'AVERTISSEMENT

AVERTISSEMENT indique des situations potentiellement dangereuses qui, si elles sont ignorées, pourraient entraîner la mort ou de sérieuses blessures.

PRECAUTION indique des situations dangereuses potentielles qui, si elles ne sont pas évitées, peuvent entraîner de mineures et légères blessures ou endommager la machine.

REMARQUE met en relief des informations essentielles.

SÉCURITÉ

AVERTISSEMENTS DE SÉCURITÉ GÉNÉRAUX CONCERNANT LES OUTILS ÉLECTRIQUES

⚠ AVERTISSEMENT:

Lire tous les avertissements de sécurité et toutes les instructions.

Tout manquement à observer ces avertissements et instructions peut engendrer des chocs électriques, des incendies et/ou des blessures graves.

Conservez tous les avertissements et toutes les instructions pour vous y référer ultérieurement.

Le terme "outil électrique", utilisé dans les avertissements, se réfère aux outils électriques (câblé) ou aux outils à piles (sans fil).

1) Sécurité de l'aire de travail

a) Maintenir l'aire de travail propre et bien éclairée.

Les endroits encombrés ou sombres sont propices aux accidents.

b) Ne pas utiliser d'outils électriques en présence de liquides, gaz ou poussière inflammables, au risque de provoquer une explosion.

Les outils électriques créent des étincelles susceptibles d'enflammer la poussière.

c) Ne pas laisser les enfants et les visiteurs s'approcher de vous lorsque vous utiliser un outil électrique.

Les distractions peuvent faire perdre le contrôle.

2) Sécurité électrique

a) Les prises de l'outil électrique doivent correspondre à la prise secteur.

Ne jamais modifier la prise.

Ne pas utiliser d'adaptateurs avec les outils électriques mis à la masse.

Les prises non modifiées et les prises secteurs correspondantes réduisent les risques de choc électrique.

b) Éviter tout contact avec les surfaces mises à la masse telles que les tuyaux, radiateurs, bandes et réfrigérateurs.

Le risque de choc électrique est accru en cas de mise à la masse du corps.

c) Ne pas exposer les outils électriques à la pluie ou à des conditions humides.

Si l'eau pénètre dans l'outil, cela augmente les risques de choc électrique.

d) Ne pas utiliser le cordon à tort. Ne jamais utiliser le cordon pour transporter ou débrancher l'outil électrique.

Maintenir le cordon loin de la chaleur, de l'huile, des bords pointus ou des pièces mobiles.

Les cordons endommagés ou usés augmentent les risques de choc électrique.

e) En cas d'utilisation d'un outil électrique à l'extérieur, utiliser un cordon de rallonge adapté à un usage extérieur.

L'utilisation d'un cordon adapté à l'usage extérieur réduit les risques de choc électrique.

f) Si vous devez utiliser un outil électrique dans un endroit humide, utilisez une alimentation protégée contre les courants résiduels.

L'utilisation d'un dispositif de protection contre les courants résiduels réduit le risque de choc électrique.

3) Sécurité personnelle

a) Restez alerte, regarder ce que vous faites et usez de votre bon sens en utilisant un outil électrique.

Ne pas utiliser d'outil électrique si vous êtes sous l'influence de drogues, d'alcool ou de médicaments.

Pendant l'utilisation d'outils électrique, un instant d'inattention peut entraîner des blessures graves.

b) Utiliser un équipement de protection individuelle. Toujours porter des verres de protection.

L'utilisation d'équipements de protection tels que les masques anti-poussière, les chaussures de sécurité anti-dérapantes, les casques ou les protections auditives dans des conditions appropriées réduisent les risques de blessures.

c) Empêcher les démarrages intempestifs. Veiller à ce que l'interrupteur soit en position d'arrêt avant de brancher à une source d'alimentation et/ou une batterie, de ramasser l'outil au sol ou de le transporter.

Transporter les outils électriques avec le doigt sur l'interrupteur ou brancher les outils électriques avec l'interrupteur en position de marche peut entraîner des accidents.

d) Retirer toute clé de sécurité ou clé avant de mettre l'outil électrique en marche.

Laisser une clé ou une clé de sécurité sur une partie mobile de l'outil électrique peut engendrer des blessures.

e) Ne pas trop se pencher. Toujours garder une bonne assise et un bon équilibre pendant le travail.

Cela permet un meilleur contrôle de l'outil électrique dans des situations imprévisibles.

f) Porter des vêtements adéquats. Ne pas porter de vêtements amples ni de bijoux. Maintenir les cheveux, les vêtements et les gants loin des pièces mobiles.

Les vêtements amples ou les cheveux longs peuvent se prendre dans les pièces mobiles.

g) En cas de dispositifs destinés au raccordement d'installations d'extraction et de recueil de la poussière, veiller à ce qu'ils soient correctement raccordés et utilisés.

L'utilisation d'un dispositif de collecte de la poussière peut réduire les dangers associés à la poussière.

4) Utilisation et entretien d'un outil électrique

a) Ne pas forcer sur l'outil électrique. Utiliser l'outil électrique adapté à vos travaux.

Le bon outil électrique fera le travail mieux et en toute sécurité au régime pour lequel il a été conçu.

b) Ne pas utiliser l'outil électrique si l'interrupteur ne le met pas en position de marche et d'arrêt.

Tout outil ne pouvant être contrôlé par l'interrupteur est dangereux et doit être réparé.

c) Débrancher la prise ou retirer la batterie avant de procéder à des réglages, au remplacement des accessoires ou au stockage des outils électriques.

Ces mesures préventives de sécurité réduisent les risques de démarrage accidentel de l'outil électrique.

d) Stockez les outils électriques inutilisés hors de la portée des enfants et ne pas laisser des personnes non familiarisées avec l'outil ou ces instructions utiliser l'outil électrique.

Les outils électriques sont dangereux entre les mains d'utilisateurs non habilités.

e) Entretien les outils électriques. Vérifier l'absence de mauvais alignement ou d'arrêt,

d'endommagement de pièces ou toute autre condition susceptible d'affecter l'opération de l'outil.

Si l'outil est endommagé, le faire réparer avant utilisation.

De nombreux accidents sont dus à des outils mal entretenus.

f) Maintenir les outils coupants aiguisés et propres.

Des outils coupants bien entretenus avec des bords aiguisés sont moins susceptibles de se coincer et plus simples à contrôler.

g) Utiliser l'outil électrique, les accessoires et les mèches de l'outil, etc. conformément à ces instructions en tenant compte des conditions d'utilisation et du travail à réaliser.

L'utilisation de l'outil électrique pour des opérations différentes de celles pour lesquelles il a été conçu est dangereuse.

5) Service

a) Faire entretenir l'outil électrique par un technicien habilité à l'aide de pièces de rechange identiques exclusivement.

Cela garantira le maintien de la sécurité de l'outil électrique.

REGLES DE SECURITE SPECIFIQUES ET SYMBOLES

1. Tenir l'outil électrique par les surfaces isolées car l'accessoire de coupe peut entrer en contact avec son propre cordon d'alimentation.

Le coupage d'un fil sous tension peut exposer des pièces métalliques de l'outil sous tension et électrocuter l'opérateur.

2. Utilisez des attaches ou une autre méthode appropriée pour attacher et supporter les pièces ensembles pour une plateforme stable.

Tenir le travail avec votre main ou contre le corps peut le laisser instable et peut conduire à la perte de contrôle.

3. TOUJOURS porter des bouchons d'oreille lors de l'utilisation de l'outil pendant de longues périodes.

Une exposition prolongée à un son de forte intensité peut endommager l'ouïe de l'utilisateur.

4. Faire extrêmement attention en manipulant les mèches.

5. Avant l'utilisation, vérifier soigneusement si la mèche n'est pas fissurée ou endommagée. Remplacer immédiatement toute mèche fissurée ou endommagée.



6. Ne pas couper de clous. Avant le travail, vérifier s'il y a des clous, et les retirer le cas échéant.
7. Tenir l'outil fermement des deux mains.
8. Ne pas approcher les mains des pièces en mouvement.
9. S'assurer que la mèche n'est pas en contact avec la pièce avant de mettre l'outil sous tension.
10. Avant d'utiliser l'outil sur la pièce proprement dite, laisser l'outil tourner pendant quelques instants. Regarder s'il y a des vibrations ou des irrégularités de rotation qui signaleraient une mauvaise installation de la mèche.
11. Faire attention au sens de rotation de la mèche et au sens d'avance.
12. Ne pas s'éloigner de l'outil pendant qu'il fonctionne. Toujours le tenir dans la main quand il fonctionne.
13. Toujours éteindre l'outil et attendre que la mèche soit complètement arrêtée avant de retirer l'outil de la pièce.
14. Ne pas toucher la mèche tout de suite après l'utilisation : elle risque d'être extrêmement chaude et pourrait provoquer des brûlures.
15. Toujours acheminer le cordon d'alimentation loin de l'outil, vers l'arrière.
16. Ne jamais faire marcher le moteur quand il n'est pas inséré dans l'un des socles de toupie. Le moteur n'est pas conçu pour être tenu à la main.
17. Après avoir remplacé une mèche ou effectué des réglages, s'assurer que l'écrou de mandrin et les autres éléments de réglage sont bien serrés à fond.

Un élément de réglage mal serré peut se déplacer de façon inattendue, provoquant une perte de contrôle de l'outil, et les composants mobiles risqueraient d'être violemment éjectés.

18. Définitions pour les symboles utilisés sur cet outil
 - V volts
 - Hz hertz
 - A ampères
 - n_0 vitesse sans charge
 - /min tours par minute
 - \sim courant alternatif ou courant continu

AVERTISSEMENT:

La poussière résultant des opérations de ponçage, de sciage, de meulage, de perçage avec un outil électrique et des autres activités de construction renferme des produits chimiques qui risquent de provoquer des cancers, des malformations congénitales et autres troubles de la reproduction. Ces produits chimiques peuvent être notamment :

- le plomb des peintures à base de plomb.
- la silice cristalline des briques, ciment, etc.
- l'arsenic et le chrome du bois de construction traité chimiquement.

Le risque d'exposition à ces produits dépend de la fréquence du travail les faisant intervenir. Pour réduire l'exposition à ces produits chimiques : travailler dans une zone bien ventilée, et utiliser un équipement de sécurité approuvé, par exemple un masque anti-poussière spécialement conçu pour filtrer les particules microscopiques.

UTILISATION D'UN CORDON DE RALLONGE

Utiliser exclusivement un cordon de rallonge en bon état. Lorsqu'on utilise un cordon de rallonge, veiller à ce qu'il soit suffisamment lourd pour supporter le courant dont l'appareil aura besoin.

Un cordon trop petit provoquera une chute de la tension de ligne, ce qui entraînera une perte de puissance et une surchauffe. Le tableau indique le calibre à utiliser en fonction de la longueur du cordon et de l'intensité nominale indiquée sur la plaque signalétique. En cas de doute, utiliser un calibre supérieur. Plus le numéro du calibre est petit, plus le cordon est lourd.

CALIBRE MINIMUM DES CORDONS

		Longueur totale de cordon en pieds (mètres)			
		0 – 25 (0 – 7,6)	26 – 50 (7,9 – 15,2)	51 – 100 (15,5 – 30,5)	101 – 150 (30,8 – 45,7)
Intensité nominale		CALIBRE			
Supérieure à	Non supérieure à				
0 – 6	18	16	16	14	14
6 – 10	18	16	16	14	12
10 – 12	16	16	16	14	12
12 – 16	14	12	12	Non recommandé	

⚠ AVERTISSEMENT: Eviter tout risque de choc électrique. Ne jamais utiliser l'outil avec un cordon électrique ou un cordon de rallonge endommagé ou dénudé.
Inspecter régulièrement les cordons électriques. Ne jamais utiliser dans l'eau ou à proximité d'eau, ni dans un environnement susceptible de provoquer un choc électrique.

**CONSERVER CES INSTRUCTIONS
ET
LES METTRE A LA DISPOSITION
DES AUTRES UTILISATEURS
ET
PROPRIETAIRES DE CET OUTIL !**

DESCRIPTION FONCTIONNELLE

REMARQUE:

Les informations contenues dans ce mode d'emploi sont conçues pour assister l'utilisateur dans une utilisation sans danger et un entretien de l'outil motorisé.

NE JAMAIS utiliser ni entreprendre une révision de l'outil sans avoir d'abord lu et compris toutes les instructions de sécurité contenues dans ce manuel.

Certaines illustrations dans ce mode d'emploi peuvent montrer des détails ou des accessoires différents de ceux de l'outil motorisé utilisé.

NOM DES PARTIES

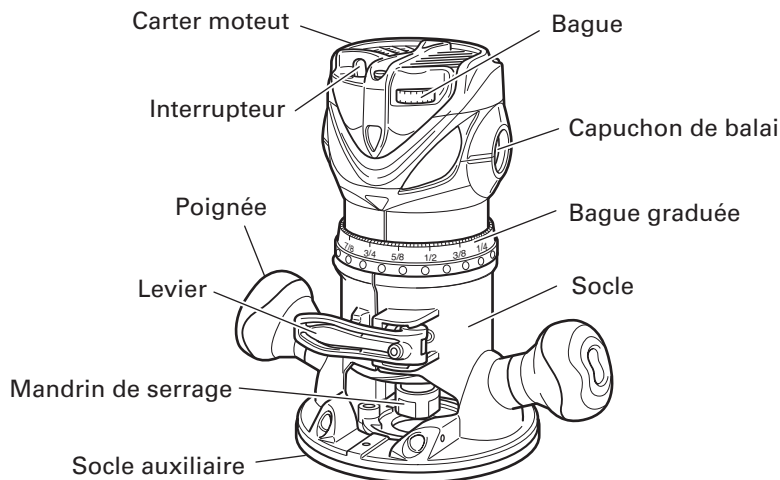


Fig. 1

SPECIFICATIONS

Modèle	M12VC	M12SC
Moteur	Moteur série monophasé à collecteur	
Source d'alimentation	Secteur, 120V 60 Hz, monophasé	
Capacité du mandrin de serrage	1/2" (12,7 mm), 1/4" (6,35 mm)	
Courant	11 A	
Vitesse sans charge	8000/min – 24000/min	24000/min
Poids (avec le cordon)	7,3 lbs (3,3 kg)	

ASSEMBLAGE ET FONCTIONNEMENT

APPLICATIONS

- Travail du bois, essentiellement creusage de rainures et coupes transversales. Par exemple, creusage de rainures, coupes transversales, coupe, duplication, burinage, coupe à gabarit, coupes mixtes et autres.

AVANT L'UTILISATION

1. Source d'alimentation
S'assurer que la source d'alimentation qui doit être utilisée est conforme à la source d'alimentation requise spécifiée sur la plaque signalétique du produit.
2. Interrupteur d'alimentation
S'assurer que l'interrupteur est sur la position OFF (arrêt). Si la fiche est connectée sur une prise alors que l'interrupteur est sur la position ON (marche), l'outil motorisé démarrera immédiatement risquant de causer de sérieuses blessures.
3. Cordon prolongateur
Quand la zone de travail est éloignée de la source d'alimentation, utiliser un cordon prolongateur d'épaisseur et de capacité nominale suffisante. Le cordon prolongateur doit être aussi court que possible.



⚠ AVERTISSEMENT:

Tout cordon endommagé devra être remplacé ou réparé.

4. Vérifier la prise
Si la prise reçoit la fiche avec beaucoup de jeu, elle doit être réparée. Contacter un électricien licencié pour réaliser les réparations nécessaires.
Si une telle prise défectueuse est utilisée, elle peut causer une surchauffe entraînant des dangers sérieux.
5. Vérification des conditions d'environnement
Vérifier que le lieu de travail est soumis à des conditions appropriées, conformément aux précautions spécifiées.

INSTALLATION ET RETRAIT DE LA MÈCHE

⚠ AVERTISSEMENT : Bien mettre l'interrupteur sur OFF et débrancher la fiche de la prise secteur pour éviter tout ennui grave.

1. Installation de la mèche

(1) Retirer le carter moteur du socle comme indiqué ci-dessous.

(a) Ouvrir le levier. (Fig. 2)

(b) Tout en tenant le socle, tourner le carter moteur dans le sens inverse des aiguilles d'une montre.

(c) Le tourner jusqu'à ce que la goupille du socle soit dégagée de la rainure du carter moteur. Soulever le carter moteur pour le séparer du socle.

(2) Nettoyer et insérer la queue de la mèche dans le mandrin de serrage jusqu'à ce que la queue touche le fond, puis la ramener en arrière d'environ 1/16" de pouce (2 mm).

(3) La mèche étant insérée et la clé de 16 mm tenant l'arbre d'armature, utiliser la clé de 23 mm pour serrer fermement le mandrin de serrage dans le sens des aiguilles d'une montre (Vu de dessous la toupie). (Fig. 3)

(4) Si l'on utilise une mèche à queue de 1/4" de pouce de diamètre, remplacer le mandrin de serrage par celui pour mèche à queue de 1/4" de pouce de diamètre, qui est fourni comme accessoire standard.

⚠ ATTENTION :

● **Après avoir inséré la mèche, s'assurer que le mandrin de serrage est solidement serré, sinon le mandrin de serrage risque d'être endommagé.**

2. Retrait de la mèche

Pour retirer la mèche, procéder dans le sens inverse de l'installation.

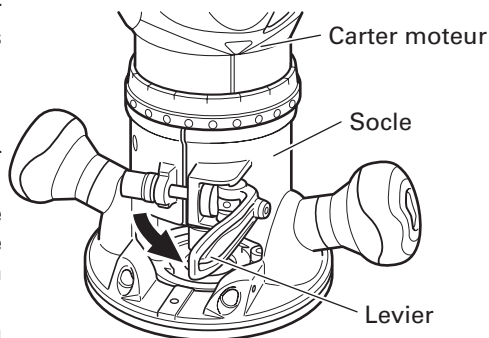


Fig. 2

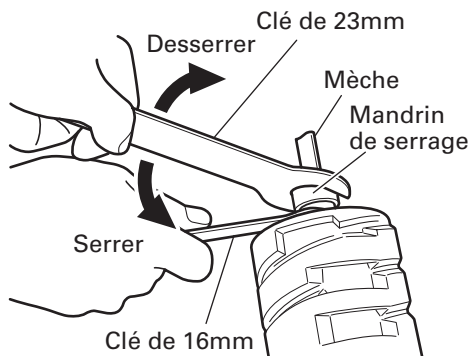


Fig. 3

INSTALLATION DU CARTER MOTEUR

⚠ AVERTISSEMENT : Bien mettre l'interrupteur sur OFF et débrancher la fiche de la prise secteur pour éviter tout ennui grave.

1. Installation du carter moteur
 - (1) Ouvrir le levier.
 - (2) Tout en tenant le socle, insérer le carter moteur dans le socle en alignant la goupille sur la rainure du socle.
 - (3) Vérifier que la goupille et la rainure sont bien alignées. Faire tourner le carter moteur dans le sens des aiguilles d'une montre dans le socle.
 - (4) Refermer le levier de verrouillage.

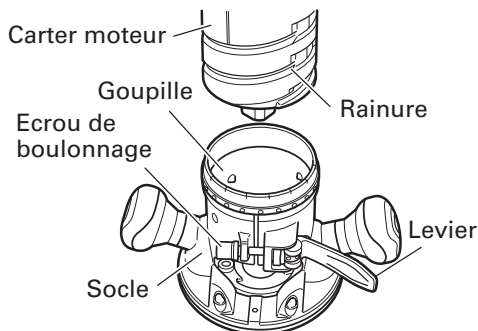


Fig. 4

⚠ ATTENTION :

On doit pouvoir serrer le levier de verrouillage sans force excessive. Une force excessive risque d'endommager le socle. Il ne devrait pas être possible de déplacer le carter moteur dans le socle quand le levier est serré. Pour ajuster la force de serrage du levier, ouvrir le levier de verrouillage et tourner l'écrou du bouton par petits incréments. Tourner l'écrou du bouton dans le sens des aiguilles d'une montre pour serrer le levier, et dans le sens inverse pour desserrer le levier.

UTILISATION DE LA TOUPIE

⚠ AVERTISSEMENT : Bien mettre l'interrupteur sur OFF et débrancher la fiche de la prise secteur pour éviter tout ennui grave.

1. Réglage de la profondeur de coupe
 - (1) Placer l'outil sur une surface de bois plane.
 - (2) Ouvrir le levier et tourner le carter moteur jusqu'à ce que la mèche touche la surface du plan. (Fig. 5)
 - (3) Serrer le levier jusqu'à ce que l'on sente un dé clic. (Fig. 6)

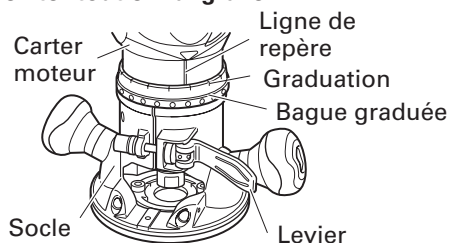


Fig. 5

REMARQUE :

Il est possible de fixer temporairement le carter moteur en serrant le levier (le carter moteur ne glisse pas sous l'effet de son propre poids).

Si le carter moteur glisse, effectuer un réglage en tournant l'écrou de boulonnage.

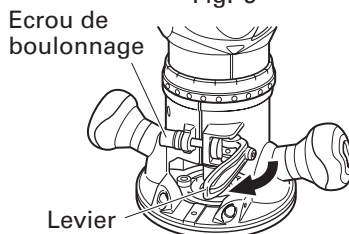


Fig. 6

Tourner l'écrou de boulonnage dans le sens des aiguilles d'une montre pour serrer le levier, et dans le sens inverse pour desserrer le levier.

- (4) Tout en soulevant légèrement le socle, tourner le carter moteur dans le sens des aiguilles d'une montre jusqu'à ce que la ligne de repère du carter moteur arrive à la profondeur voulu de la bague graduée. (Fig. 5)

- (5) Bien refermer le levier.

2. Réglage de la vitesse de rotation (Modèle M12VC seulement)

Le M12VC possède un système de commande électronique qui permet un changement continu de la vitesse de rotation. Comme indiqué sur la Fig. 7, la position "1" de la bague correspond à la vitesse minimum, et la position "6" à la vitesse maximum.

3. Centrage de l'adaptateur de guide de gabarit

⚠ AVERTISSEMENT : Bien mettre l'interrupteur sur OFF et débrancher la fiche de la prise secteur pour éviter tout ennui grave.

- (1) Desserrer les deux vis de l'adaptateur de guide de gabarit, de façon à pouvoir déplacer l'adaptateur de guide de gabarit. (Fig. 8)

- (2) Insérer le calibre de centrage dans l'orifice de l'adaptateur de guide de gabarit et dans le mandrin de serrage. (Fig. 9)

- (3) Serrer le mandrin de serrage à la main.

- (4) Serrer le levier. (Ceci aligne le centre de l'adaptateur de guide de gabarit.)

- (5) Serrer les vis de l'adaptateur de guide de gabarit, et retirer le calibre de centrage.

4. Guidage de la toupie

- (1) Guide de gabarit (M12VC, M12SC: Accessoire en option)

Utiliser le guide de gabarit lorsqu'on veut utiliser un gabarit pour produire une grande quantité de pièces de forme identique. (Fig. 10) Comme indiqué sur la Fig. 11, pour l'installation, installer le guide de gabarit dans l'orifice central de l'adaptateur de guide de gabarit, et le fixer avec l'écrou de boulonnage.

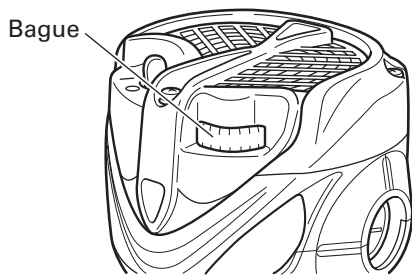


Fig. 7

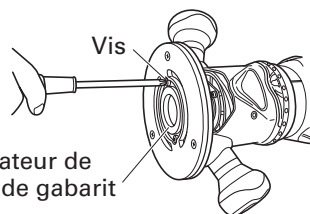


Fig. 8

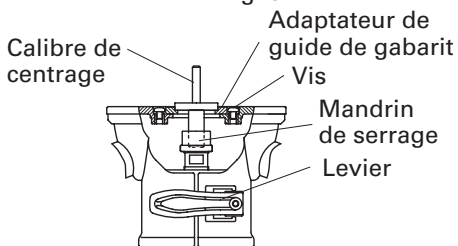


Fig. 9

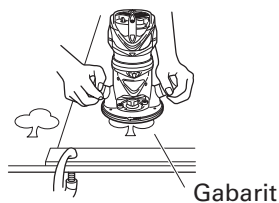


Fig. 10

Un gabarit est un moule à profiler en contreplaqué ou en bois mince. Pour fabriquer un gabarit, faire particulièrement attention aux points décrits ci-dessous et illustrés à la Fig. 12.

Lorsqu'on utilise la toupie le long du plan interne du gabarit, les dimensions de la pièce finie seront inférieures au gabarit d'une valeur égale à la dimension "A", qui représente la différence entre le rayon du guide de gabarit et le rayon de la mèche.

L'inverse est valable, lorsqu'on utilise la toupie de long de l'extérieur du gabarit. Fixer le gabarit sur le matériau. Faire avancer la toupie de façon que le guide de gabarit se déplace le long du gabarit, comme indiqué sur la Fig. 12.

(2) Guide droit (accessoire en option)

Utiliser un guide droit lors d'une coupe en biseau ou d'une coupe de rainure sur les côtés du matériau.

- ① Insérer la barre de guidage dans l'orifice du support de barre, puis serrer légèrement les 2 boulons à ailettes (A) sur le dessus du support de barre.
- ② Insérer la barre de guidage dans l'orifice du socle, puis serrer à fond les deux boulons à tête creuse à 6 pans (accessoires standard).
- ③ Effectuer les réglages fins de la dimension entre la mèche et la surface du guide, puis serrer à fond les deux boulons à ailettes (A) sur le dessus du support de barre, et le boulon à ailettes (B) de fixation du guide droit. (Fig. 13)
- ④ Comme indiqué sur la Fig. 14, fixer solidement le fond du socle sur la surface traitée du matériau. Faire avancer la toupie tout en maintenant le plan du guide sur la surface du matériau.

5. Coupe

⚠ AVERTISSEMENT :

- Porter des lunettes de protection lorsqu'on utilise cet outil.
- Ne pas approcher les mains, le visage ni aucune autre partie du corps de la mèche ni des autres pièces mobiles lorsqu'on utilise l'outil.

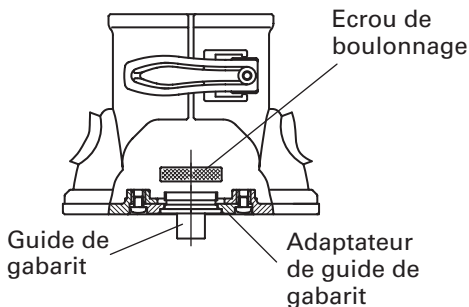


Fig. 11

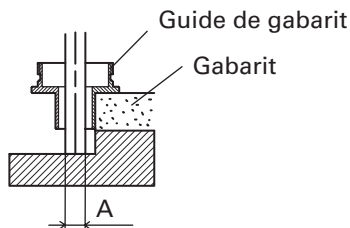


Fig. 12

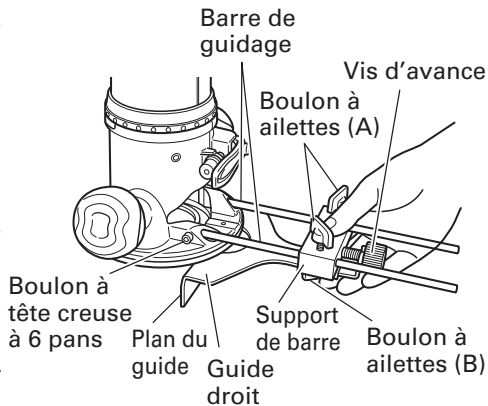


Fig. 13

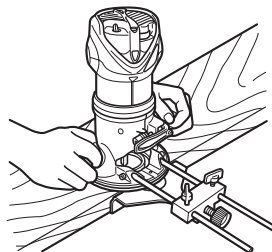


Fig. 14

- (1) Débarrasser la mèche de tout résidu du matériau coupé avant de mettre l'outil sous tension. (Fig. 15)
- (2) Mettre l'outil sous tension et attendre que la mèche ait atteint sa vitesse maximale.
- (3) La mèche tourne dans le sens des aiguilles d'une montre (sens de la flèche indiqué sur le socle). Pour obtenir le rendement de coupe maximal, faire avancer la toupie conformément au sens d'avance indiqué à la Fig. 16.

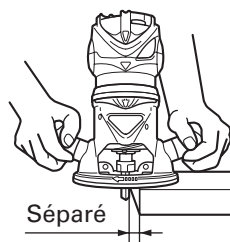


Fig. 15

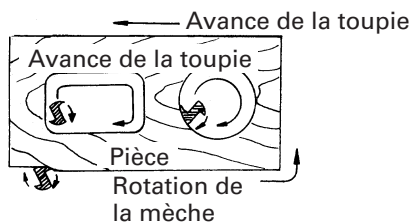


Fig. 16

REMARQUE :

- Le fait de déplacer l'outil trop rapidement vers l'avant risque de donner une médiocre qualité de coupe, ou d'endommager la mèche ou le moteur. En revanche, un déplacement trop lent risque de brûler et d'endommager la coupe. La vitesse d'avance correcte dépend de la taille de la mèche, du travail et de la profondeur de coupe. Avant de commencer à couper la pièce proprement dite, il est recommandé de faire des essais sur un morceau de rebut. Cela montrera exactement à quoi ressemblera la coupe, et permettra de vérifier les dimensions.
- Les anomalies et les surcharges déclencheront le protecteur de surcharge, et le fonctionnement s'arrêtera. Supprimer immédiatement la charge, éteindre l'outil, puis le rallumer. La vitesse de rotation devrait redevenir normale.
- Ne pas utiliser de générateur comme source d'alimentation. Cela risque de faire fluctuer la vitesse de rotation.
- Si l'on utilise le guide droit, bien l'installer sur le côté droit dans le sens de l'avance. Ceci aidera à le maintenir à ras sur le côté de la pièce.

ENTRETIEN ET INSPECTION

⚠ AVERTISSEMENT: S'assurer de mettre l'interrupteur d'alimentation sur la position OFF et de déconnecter la fiche de la prise secteur avant l'entretien et l'inspection de la meuleuse.

1. Inspection des vis

Inspecter régulièrement toutes les vis et s'assurer qu'elles sont serrées à fond. Si l'une des vis était desserrée, la resserrer immédiatement.

⚠ AVERTISSEMENT: Il serait extrêmement dangereux d'utiliser la toupie avec des vis desserrées.

2. Inspection des balais en carbone (Fig. 17)

Le moteur utilise des balais en carbone qui sont des pièces qui s'usent. Remplacer un balai en carbone par un nouveau quand il est usé jusqu'à sa limite d'usure. Toujours garder propres les balais en carbone et s'assurer qu'ils glissent librement à l'intérieur des porte-balais.

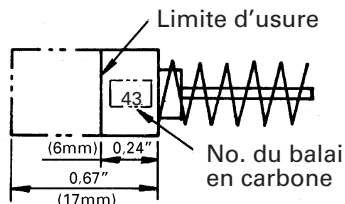


Fig. 17

⚠ PRECAUTION: Utiliser la défonceuse avec un balai en carbone qui est usé au-delà de la limite d'usure endommagera le moteur.

REMARQUE: Utiliser le balai en carbone metabo HPT No. 43 indiqué sur la figure 17.

3. Remplacement d'un balai en carbone

Retirer le couvercle du balai (Fig. 18) avec un tournevis plat. Le balai en carbone peut être alors facilement retiré.

4. Entretien et réparation

Tous les outils motorisés de qualité auront éventuellement besoin d'une réparation ou du remplacement d'une pièce à cause de l'usure normale de l'outil. Pour assurer que seules des pièces de rechange autorisées seront utilisées, tous les entretiens et les réparations doivent être effectués uniquement par UN CENTRE DE SERVICE metabo HPT AUTORISÉ.

5. Liste des pièces de rechange

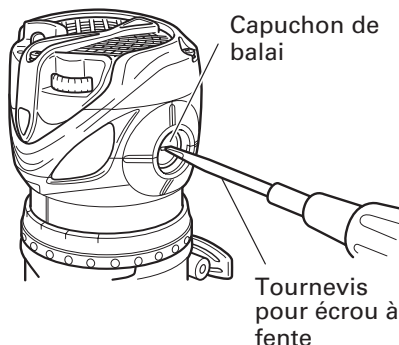


Fig. 18

⚠ PRECAUCIÓN: Les réparations, modifications et inspections des outils électriques metabo HPT doivent être confiées à un service après-vente metabo HPT agréé.

Il sera utile de présenter cette liste de pièces au service après-vente metabo HPT agréé lorsqu'on apporte un outil nécessitant des réparations ou tout autre entretien. Lors de l'utilisation et de l'entretien d'un outil électrique, respecter les règlements et les normes de sécurité en vigueur dans le pays en question.

6. Liste des pièces de rechange

A: No. élément

B: No. code

C: No. utilisé

D: Remarques

⚠ PRECAUCIÓN: Les réparations, modifications et inspections des outils électriques metabo HPT doivent être confiées à un service après-vente metabo HPT agréé. Il sera utile de présenter cette liste de pièces au service après-vente metabo HPT agréé lorsqu'on apporte un outil nécessitant des réparations ou tout autre entretien.

Lors de l'utilisation et de l'entretien d'un outil électrique, respecter les règlements et les normes de sécurité en vigueur dans le pays en question.

MODIFICATIONS:

Les outils électriques metabo HPT sont constamment améliorés et modifiés afin d'incorporer les tous derniers progrès technologiques.

En conséquence, il est possible que certaines pièces (c.-à-d. no. de code et/ou dessin) soient modifiées sans avis préalable.

ACCESSOIRES

⚠ AVERTISSEMENT: TOUJOURS utiliser uniquement des pièces de rechange et des accessoires metabo HPT. NE JAMAIS utiliser de pièce de rechange ou d'accessoires qui ne sont pas prévus pour être utilisés avec cet outil. En cas de doute, contacter metabo HPT pour savoir si une pièce de rechange ou un accessoire particulier peuvent être utilisés en toute sécurité avec votre outil. L'utilisation de tout autre attachement ou accessoire peut être dangereux et peut causer des blessures ou des dommages mécaniques.

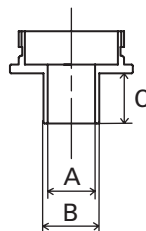
REMARQUE:

Les accessoires sont sujets à changement sans obligation de la part de metabo HPT.

ACCESSOIRES STANDARD

1. Modèle M12VC, M12SC
 - (1) Mandrin de serrage de 1/4" de pouce (N° de code 323-293)
 - (2) Adaptateur de guide de gabarit (se fixe à la toupie) (N° de code 323-272)
 - (3) Calibre de centrage (N° de code 323-296)
 - (4) Clé de 16 mm (N° de code 323-294)
 - (5) Clé de 23 mm (N° de code 323-295)

2. Modèle KM12VC, KM12SC
 - (1) Mandrin de serrage de 1/4" de pouce (N° de code 323-293)
 - (2) Adaptateur de guide de gabarit (se fixe à la toupie) (N° de code 323-272)
 - (3) Calibre de centrage (N° de code 323-296)
 - (4) Clé de 16 mm (N° de code 323-294)
 - (5) Clé de 23 mm (N° de code 323-295)
 - (6) Socle auxiliaire à gros orifice (N° de code 323-297)
 - (7) Guide de gabarit (Fig. 19)
 - (8) Écrou de boulonnage (N° de code 323-305)
 - (9) Couvercle d'éclats (N° de code 323-292)
 - (10) Boîtier (N° de code 323-358)

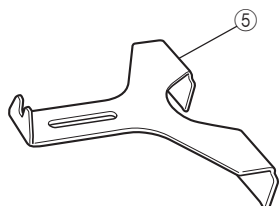
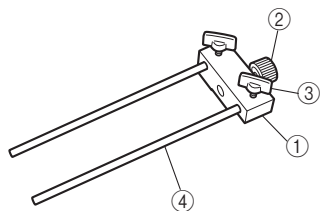


Code No.	A	B	C
323-298	1/4" (6,5 mm)	5/16" (8 mm)	5/32" (4 mm)
323-299	9/32" (7 mm)	3/8" (9,5 mm)	5/16" (8 mm)
323-300	11/32" (8,7 mm)	7/16" (11,1 mm)	5/32" (4 mm)
323-301	13/32" (10,3 mm)	1/2" (12,7 mm)	5/16" (8 mm)
323-302	17/32" (13,5 mm)	5/8" (16 mm)	9/16" (14,3 mm)
323-303	21/32" (16,6 mm)	3/4" (19,1 mm)	9/16" (14,3 mm)
323-304	5/8" (16 mm)	51/64" (20,2 mm)	9/16" (14,3 mm)

Fig. 19

ACCESSOIRES SUR OPTION vendus séparément

- (1) Jeu de guide droit (N° de code 323-342)
- ① Support de barre (N° de code 323-343)
 - ② Vis d'avance (N° de code 956-793)
 - ③ Boulon à ailettes (N° de code 301-806)
 - ④ Barre de guidage (N° de code 323-345)
 - ⑤ Guide droit (N° de code 323-344)



- (2) Jeu de collecteur de poussière (N° de code 323-346)



REMARQUE:

Les spécifications sont sujettes à modification sans aucune obligation de la part de metabo HPT.

INFORMACIÓN IMPORTANTE SOBRE SEGURIDAD

Antes de utilizar o de realizar cualquier trabajo de mantenimiento de esta herramienta eléctrica, lea y comprenda todas las precauciones de seguridad, advertencias e instrucciones de funcionamiento de este Manual de instrucciones.

La mayoría de los accidentes producidos en la operación y el mantenimiento de una herramienta eléctrica se deben a la falta de observación de las normas o precauciones de seguridad. Los accidentes normalmente podrán evitarse reconociendo una situación potencialmente peligrosa a tiempo y siguiendo los procedimientos de seguridad apropiados.

Las precauciones básicas de seguridad se describen en la sección "SEGURIDAD" de este Manual de instrucciones y en las secciones que contienen las instrucciones de operación y mantenimiento.

Para evitar lesiones o el daño de la herramienta eléctrica, los riesgos están identificados con ADVERTENCIAS en dicha herramienta y en este Manual de instrucciones.

NO utilice **NUNCA** esta herramienta eléctrica de ninguna forma que no esté específicamente recomendada por metabo HPT.

SIGNIFICADO DE LAS PALABRAS DE SEÑALIZACIÓN

ADVERTENCIA indica situaciones potencialmente peligrosas que, si se ignoran, pueden resultar en la muerte o en lesiones de gravedad.

PRECAUCIÓN indica situaciones potencialmente peligrosas que, de no evitarse, pueden resultar en lesiones menores o moderadas, o causar daños en la herramienta eléctrica.

NOTA acentúa información esencial.

SEGURIDAD

ADVERTENCIAS DE SEGURIDAD GENERAL DE LA HERRAMIENTA ELÉCTRICA

⚠️ ADVERTENCIA:

Lea todas las instrucciones y todas las advertencias de seguridad.

Si no se siguen las advertencias e instrucciones, podría producirse una descarga eléctrica, un incendio y/o daños graves.

Guarde todas las advertencias e instrucciones para futura referencia.

El término "herramienta eléctrica" en las advertencias hace referencia a la herramienta eléctrica que funciona con la red de suministro (con cable) o a la herramienta eléctrica que funciona con pilas (sin cable).

1) Seguridad en el área de trabajo

a) Mantenga la zona de trabajo limpia y bien iluminada.

Las zonas desordenadas o oscuras pueden provocar accidentes.

b) No utilice las herramientas eléctricas en entornos explosivos como, por ejemplo, en presencia de líquidos inflamables, gases o polvo.

Las herramientas eléctricas crean chispas que pueden hacer que el polvo desprenda humo.

c) Mantenga a los niños y transeúntes alejados cuando utilice una herramienta eléctrica.

Las distracciones pueden hacer que pierda el control.

2) Seguridad eléctrica

a) Los enchufes de las herramientas eléctricas tienen que ser adecuados a la toma de corriente.

No modifique el enchufe.

No utilice enchufes adaptadores con herramientas eléctricas conectadas a tierra. Si no se modifican los enchufes y se utilizan tomas de corriente adecuadas se reducirá el riesgo de descarga eléctrica.

b) Evite el contacto corporal con superficies conectadas a tierra como tuberías, radiadores y frigoríficos.

Hay mayor riesgo de descarga eléctrica si su cuerpo está en contacto con el suelo.

c) No exponga las herramientas eléctricas a la lluvia o a la humedad.

La entrada de agua en una herramienta eléctrica aumentará el riesgo de descarga eléctrica.

d) No utilice el cable incorrectamente. No utilice el cable para transportar, tirar de la herramienta eléctrica o desenchufarla.

Mantenga el cable alejado del calor, del aceite, de bordes afilados o piezas móviles.

Los cables dañados o enredados aumentan el riesgo de descarga eléctrica.

e) Cuando utilice una herramienta eléctrica al aire libre, utilice un cable prolongador adecuado para utilizarse al aire libre.

La utilización de un cable adecuado para usarse al aire libre reduce el riesgo de descarga eléctrica.

f) Si no se puede evitar el uso de una herramienta eléctrica en un lugar húmedo, utilice un suministro protegido mediante un dispositivo de corriente residual (RCD).

El uso de un RCD reduce el riesgo de descarga eléctrica.

3) Seguridad personal

a) Esté atento, preste atención a lo que hace y utilice el sentido común cuando utilice una herramienta eléctrica.

No utilice una herramienta eléctrica cuando esté cansado o esté bajo la influencia de drogas, alcohol o medicación.

La distracción momentánea cuando utiliza herramientas eléctricas puede dar lugar a importantes daños personales.

b) Utilice un equipo de protección. Utilice siempre una protección ocular.

El equipo de protección como máscara para el polvo, zapatos de seguridad antideslizantes, casco o protección para oídos utilizado para condiciones adecuadas reducirá los daños personales.

c) Evite un inicio involuntario. Asegúrese de que el interruptor está en "off" antes de conectar la herramienta a una fuente de alimentación y/o batería, cogerla o transportarla.

El transporte de herramientas eléctricas con el dedo en el interruptor o el encendido de herramientas eléctricas con el interruptor encendido puede provocar accidentes.

d) Retire las llaves de ajuste antes de encender la herramienta eléctrica.

Si se deja una llave en una pieza giratoria de la herramienta eléctrica podrían producirse daños personales.

e) No se extralimite. Mantenga un equilibrio adecuado en todo momento.

Esto permite un mayor control de la herramienta eléctrica en situaciones inesperadas.

f) Vístase adecuadamente. No lleve prendas sueltas o joyas. Mantenga el pelo, la ropa y los guantes alejados de las piezas móviles.

La ropa suelta, las joyas y el pelo largo pueden pillarse en las piezas móviles.

g) Si se proporcionan dispositivos para la conexión de extracción de polvo e instalaciones de recogida, asegúrese de que están conectados y se utilizan adecuadamente.

La utilización de un sistema de recogida de polvo puede reducir los riesgos relacionados con el polvo.

4) Utilización y mantenimiento de las herramientas eléctricas

a) No fuerce la herramienta eléctrica. Utilice la herramienta eléctrica correcta para su aplicación.

La herramienta eléctrica correcta trabajará mejor y de forma más segura si se utiliza a la velocidad para la que fue diseñada.

b) No utilice la herramienta eléctrica si el interruptor no la enciende y apaga.

Las herramientas eléctricas que no pueden controlarse con el interruptor son peligrosas y deben repararse.

c) Antes de hacer ajustes, cambiar accesorios o almacenar las herramientas eléctricas, desconecte el enchufe de la fuente eléctrica y/o las baterías de la herramienta.

Estas medidas de seguridad preventivas reducen el riesgo de que la herramienta eléctrica se ponga en marcha accidentalmente.

d) Guarde las herramientas eléctricas que no se utilicen para que no las cojan los niños y no permita que utilicen las herramientas eléctricas personas no familiarizadas con las mismas o con estas instrucciones.

Las herramientas eléctricas son peligrosas si son utilizadas por usuarios sin formación.

e) Mantenimiento de las herramientas eléctricas. Compruebe si las piezas móviles están mal alineadas o unidas, si hay alguna pieza rota u otra condición que pudiera afectar al funcionamiento de las herramientas eléctricas.

Si la herramienta eléctrica está dañada, llévela a reparar antes de utilizarla.

Se producen muchos accidentes por no realizar un mantenimiento correcto de las herramientas eléctricas.

f) Mantenga las herramientas de corte afiladas y limpias.

Las herramientas de corte correctamente mantenidas con los bordes de corte afilados son más fáciles de controlar.

g) Utilice la herramienta eléctrica, los accesorios y las brocas de la herramienta, etc. de acuerdo con estas instrucciones, teniendo en cuenta las condiciones laborales y el trabajo que se va a realizar.

La utilización de la herramienta eléctrica para operaciones diferentes a pretendidas podría dar lugar a una situación peligrosa.

5) Revisión

a) Lleve su herramienta a que la revise un experto cualificado que utilice sólo piezas de repuesto idénticas.

Esto garantizará el mantenimiento de la seguridad de la herramienta eléctrica.

NORMAS Y SÍMBOLOS ESPECÍFICOS DE SEGURIDAD

1. Sostenga la herramienta eléctrica por las superficies de agarre, ya que el accesorio de corte puede entrar en contacto con su propio cable.

Al cortar un cable con corriente pueden quedar expuestas partes metálicas de la herramienta eléctrica y provocar descargas eléctricas al operario.

2. Utiliza abrazaderas u otra forma práctica para asegurar y sujetar la pieza a una plataforma estable.

Si sujeta la pieza con la mano o contra su cuerpo quedará inestable y puede perder el control.

3. SIEMPRE utilice protectores auditivos cuando tenga que utilizar la herramienta durante mucho tiempo.

La exposición prolongada a ruido de gran intensidad puede causar la sordera.



4. Maneje las brocas con sumo cuidado.
5. Antes de la operación, inspeccione atentamente la broca por grietas o daños. Reemplace inmediatamente la broca si está agrietada o dañada.
6. Evite cortar clavos. Inspeccione y extraiga todos los clavos de la pieza de trabajo antes de la operación.
7. Sujete firmemente la herramienta con ambas manos.
8. Mantenga las manos alejadas de las piezas de rotación.
9. Antes de conectar el interruptor, asegúrese de que la broca no esté en contacto con la pieza de trabajo.
10. Antes de usar la herramienta en la pieza de trabajo, déjela funcionar durante unos momentos. Preste atención a las vibraciones o las oscilaciones, pues indican que la broca no está instalada correctamente.
11. Preste atención a la dirección de rotación y de avance de la broca.
12. No deje la herramienta en marcha. Opere la herramienta sólo mientras la sujeta con la mano.
13. Siempre apague la herramienta y espere hasta que se detenga completamente antes de removerla de la pieza de trabajo.
14. No toque la broca inmediatamente después de la operación: podría estar muy caliente y quemarse.
15. Mantenga siempre el cordón de la fuente de alimentación alejado de la herramienta y posicónelo hacia atrás.
16. Nunca haga funcionar la unidad de motor cuando no está insertada en una de las bases de la fresadora.
El motor no ha sido diseñado para sostenerse con la mano.
17. Después de cambiar las brocas o realizar cualquier ajuste, asegúrese de que la tuerca del portabroca y otros componentes de ajuste se encuentren firmemente apretados.
Un elemento de ajuste flojo podría desplazarse inesperadamente, provocando la pérdida de control. Los componentes flojos saldrán despedidos violentamente.
18. Definiciones para los símbolos utilizados en esta herramienta
V voltios
Hz hertzios
A amperios
n_o velocidad sin carga
---/min revoluciones por minuto
~ corriente alterna o continua

ADVERTENCIA:

Cierto polvo generado por el lijado, aserrado, amolado, taladrado y otras actividades de construcción contienen agentes químicos que se sabe que causan cáncer, defectos de nacimiento u otros defectos de reproducción. Algunos ejemplos de estos agentes químicos son:

- plomo de pinturas a base de plomo.
- sílice cristalina de ladrillos y cemento y otros productos de mampostería.
- arsénico y cromo de madera tratada químicamente.

Su riesgo por causa de estas exposiciones varía, dependiendo de con cuánta frecuencia realice este tipo de trabajo. Para reducir su exposición a estos agentes químicos: trabaje en un área bien ventilada y trabaje con un equipo de seguridad aprobado, como por ejemplo máscaras antipolvo que estén diseñadas especialmente para impedir mediante filtración el paso de partículas microscópicas.

UTILIZACIÓN DE UN CABLE PROLONGADOR

Cerciórese de que el cable prolongador esté en buenas condiciones. Cuando utilice un cable prolongador, cerciórese de que tenga el calibre (grosor) suficiente como para poder conducir la corriente necesaria para la herramienta.

Un cable de calibre inferior causaría la caída de tensión, lo que resultaría en pérdida de potencia y en recalentamiento. En la tabla siguiente se indica el calibre correcto de acuerdo con la longitud del cable y la indicación de amperaje de la tabla de características. Cuando menor sea el número de calibre, mayor será el cable.

CALIBRE MÍNIMO PARA CABLES

		Longitud total del cable en pies (metros)			
		0 – 25 (0 – 7,6)	26 – 50 (7,9 – 15,2)	51 – 100 (15,5 – 30,5)	101 – 150 (30,8 – 45,7)
Amperaje nominal		AWG			
Más de	No más de				
	0 – 6	18	16	16	14
	6 – 10	18	16	14	12
	10 – 12	16	16	14	12
	12 – 16	14	12	No se recomienda.	

⚠ ADVERTENCIA: Evite descargas eléctricas. No utilice nunca esta herramienta con un cable de alimentación o prolongador dañado ni reparado. Inspeccione regularmente todos los cables eléctricos. No utilice nunca la herramienta cerca del agua ni en ningún otro lugar en el que exista el riesgo de descargas eléctricas.

**¡GUARDE ESTAS INSTRUCCIONES
Y
PÓNGALAS A DISPOSICIÓN DE
OTROS USUARIOS
Y
PROPIETARIOS DE ESTA
HERRAMIENTA!**

DESCRIPCIÓN FUNCIONAL

NOTA:

La información contenida en este Manual de instrucciones ha sido diseñada para ayudarle a utilizar con seguridad y mantener esta herramienta eléctrica.

NUNCA haga funcionar ni efectúe el mantenimiento de la herramienta antes de leer y comprender todas las instrucciones de seguridad contenidas en este manual.

Algunas ilustraciones de este Manual de Instrucciones pueden mostrar detalles o accesorios diferentes a los de la propia herramienta eléctrica.

NOMENCLATURA

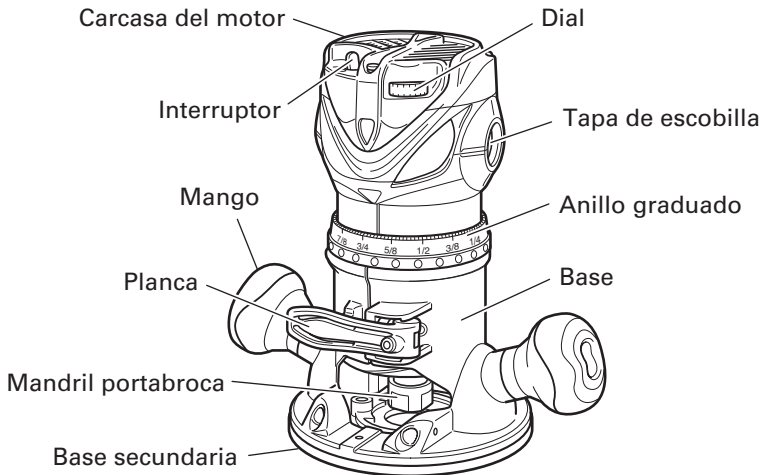


Fig. 1

SPECIFICATIONS

Modelo	M12VC	M12SC
Motor	Motor conmutador en serie monofásico	
Fuente de alimentación	120V CA, 60 Hz, monofásica	
Capacidad de pinza	1/2" (12,7 mm), 1/4" (6,35 mm)	
Corriente	11 A	
Velocidad de marcha en vacío	8000/min – 24000/min	24000/min
Peso (con cordón)	7,3 lbs (3,3 kg)	

MONTAJE Y OPERACIÓN

APLICACIONES

- Trabajos en madera centrados en ranuración y biselado.
Por ejemplo, ranuración con biselado, corte, copia, grabado, corte con plantilla, combinaciones, y otros.

ANTES DE LA OPERACIÓN

1. Fuente de alimentación
Cerciórese de que la fuente de alimentación que vaya a utilizar cumpla los requisitos indicados en la placa de características del producto.
2. Interruptor de alimentación
Cerciórese de que el interruptor de alimentación esté en la posición OFF. Si enchufase el cable de alimentación en un tomacorriente de la red con el interruptor en ON, la herramienta eléctrica comenzaría a funcionar inmediatamente, lo que podría provocar lesiones serias.
3. Cable prolongador
Cuando el área de trabajo esté alejada de la fuente de alimentación, utilice un cable prolongador de suficiente grosor y con la capacidad nominal. El cable prolongador deberá mantenerse lo más corto posible.



⚠ ADVERTENCIA:
Si un cable está dañado deberá reemplazarse o repararse.

4. Comprobación del tomacorriente
Si el enchufe del cable de alimentación queda flojo en el tomacorriente, habrá que reparar éste. Póngase en contacto con un electricista cualificado para que realice las reparaciones adecuadas.
Si utilizase un tomacorriente en este estado, podría producirse recalentamiento, lo que supondría un riesgo serio.
5. Confirme las condiciones del medio ambiente
Condírome que el lugar de trabajo esté en las condiciones apropiadas de acuerdo con las precauciones descritas.

INSTALACIÓN Y EXTRACCIÓN DE LAS BROCAS

⚠ ADVERTENCIA: Asegúrese de desconectar (OFF) el interruptor y de desenchufar la clavija del tomacorriente para evitar serios contratiempos.

1. Instalación de las brocas

- (1) Retire la carcasa del motor de la base, de la siguiente manera.
 - (a) Abra la palanca. (Fig. 2)
 - (b) Gire la carcasa del motor en el sentido contrario a las agujas del reloj mientras sujeta la base.
 - (c) Gírela hasta que el pasador de la base se desenganche de la ranura existente en la carcasa del motor. Levante la carcasa del motor hasta liberarla de la base.
- (2) Limpie e inserte el mango de la broca en el mandril portabroca hasta al fondo y seguidamente, hágalo retroceder aproximadamente 1/16" (aprox 2 mm).
- (3) Con la broca insertada y la llave de 16 mm sujetando el eje del inducido, utilice la llave de 23 mm para apretar firmemente el mandril portabroca en el sentido de las agujas del reloj (visto desde la parte inferior de la fresadora). (Fig. 3)
- (4) Cuando se utiliza la broca de mango de 1/4", reemplace el mandril portabroca equipado con una de las brocas de mango de 1/4" suministradas como accesorio estándar.

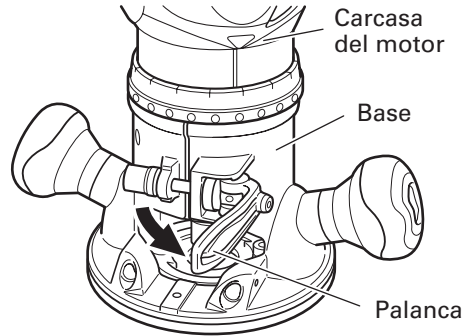


Fig. 2

⚠ PRECAUCIÓN:

- Asegúrese de que el mandril portabroca esté firmemente insertado después de insertar una broca. De lo contrario, se podrían producir daños en el mandril portabroca.

2. Extracción de brocas

Para extraer las brocas, invierta los pasos de instalación.

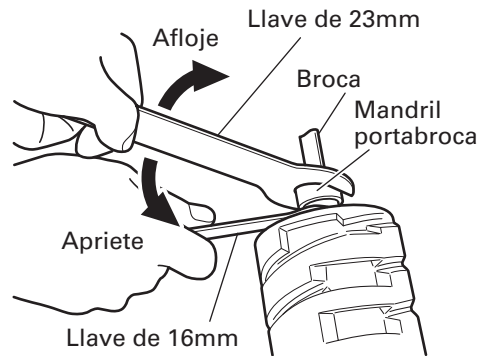
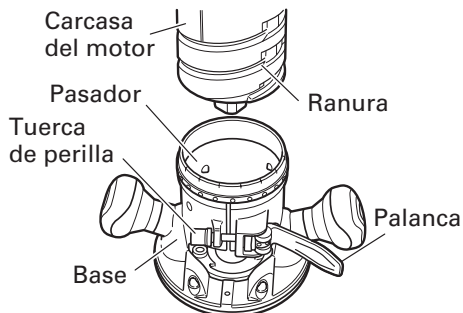


Fig. 3

INSTALACIÓN DE LA CARCASA DEL MOTOR

⚠️ ADVERTENCIA: Asegúrese de desconectar (OFF) el interruptor y de desenchufar la clavija del tomacorriente para evitar serios contratiempos.

1. Instalación de la carcasa del motor
 - (1) Abra la palanca.
 - (2) Mientras sostiene la base, inserte la carcasa del motor en la base alineando el pasador con la ranura de la base.
 - (3) Confirme que el pasador y la ranura estén alineados. Gire la carcasa del motor en la base, en el sentido de las agujas del reloj.
 - (4) Cierre la palanca de bloqueo.



⚠️ PRECAUCIÓN:

Procure fijar la palanca de bloqueo sin usar una fuerza excesiva. La aplicación de una fuerza excesiva producirá daños a la base. No deje que la carcasa del motor se mueva en la base mientras se fija la palanca. Para ajustar la fuerza de fijación de la palanca, abra ésta y gire la tuerca de perilla en pequeños incrementos. La palanca se aprieta al girar la tuerca de perilla en el sentido de las agujas del reloj, y se afloja girándola en sentido contrario.

CÓMO USAR LA FRESADORA

⚠️ ADVERTENCIA: Asegúrese de desconectar (OFF) el interruptor y de desenchufar la clavija del tomacorriente para evitar serios contratiempos.

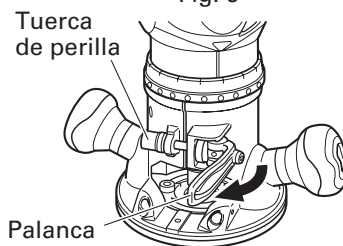
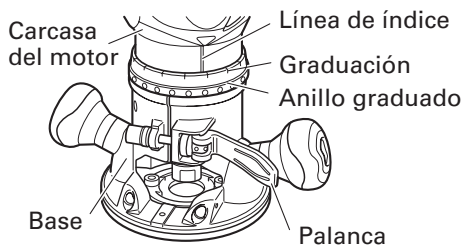
1. Ajuste de la profundidad de corte
 - (1) Coloque la herramienta sobre una superficie de madera plana.
 - (2) Abra la palanca y gire la carcasa del motor hasta que la broca haga un contacto ligero con la superficie plana. (Fig. 5)
 - (3) Fije la palanca hasta el punto en que se escucha un chasquido. (Fig. 6)

NOTA:

La carcasa del motor se puede asegurar temporalmente fijando la palanca (la carcasa del motor no se desliza hacia abajo por su propio peso).

Si la carcasa del motor se deslizara hacia abajo, realice los ajustes apretando la tuerca de perilla.

La palanca se aprieta al girar la tuerca de perilla en el sentido de las agujas del reloj, y se afloja girándola en sentido contrario.



(4) Sujetando ligeramente la base, gire la carcasa del motor en el sentido de las agujas del reloj hasta que la línea de índice de la carcasa del motor quede frente a la profundidad deseada indicada en el anillo graduado. (Fig. 5)

(5) Cierre firmemente la palanca.

2. Ajuste de la velocidad de rotación (Modelo M12VC solamente)

El modelo M12VC dispone de un sistema de control electrónico que permite los cambios progresivos de rpm.

Tal como se puede observar en la Fig. 7, la posición "1" del cuadrante es para la velocidad mínima, y la posición "6", para la velocidad máxima.

3. Centrado del adaptador de guía de la plantilla

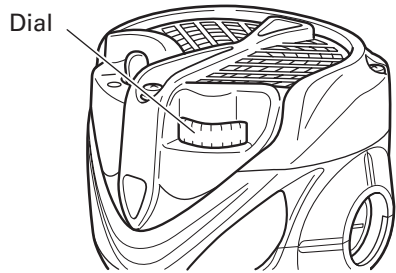


Fig. 7

⚠ ADVERTENCIA: Asegúrese de desconectar (OFF) el interruptor y de desenchufar la clavija del tomacorriente para evitar serios contratiempos.

(1) Afloje los 2 tornillos del adaptador de guía de la plantilla hasta que ceda el adaptador de guía de la plantilla. (Fig. 8)

(2) Inserte el calibrador de centrado a través del orificio del adaptador de la guía de la plantilla y en el mandril portabroca. (Fig. 9)

(3) Apriete el mandril portabroca con la mano.

(4) Apriete la palanca. (Esto permite alinear el centro del adaptador de guía de la plantilla).

(5) Apriete los tornillos del adaptador de guía de la plantilla, y extraiga el calibrador de centrado.

4. Cómo guiar la fresadora

(1) Guía de plantilla (M12VC, M12SC: Accesorio opcional)

Utilice la guía de plantilla cuando se emplee una plantilla para producir un gran número de productos de forma idéntica. (Fig. 10)

Tal como se muestra en la Fig. 11, instale insertando la guía de plantilla en el orificio central del adaptador de guía de la plantilla y asegúrela en su lugar con la contratuerca. Una plantilla es un molde de perfil hecho de madera contrachapada o madera delgada. Al hacer una plantilla, preste especial atención a los puntos descritos abajo e ilustrados en la Fig. 12.

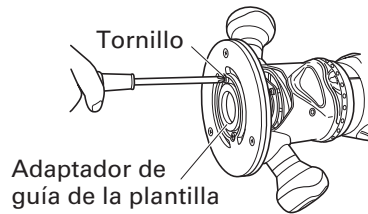


Fig. 8

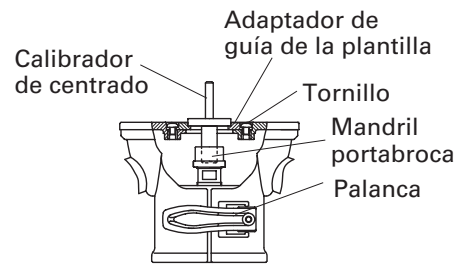


Fig. 9

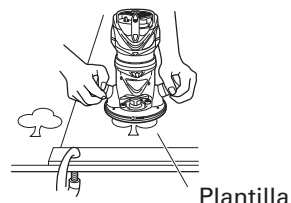


Fig. 10

Cuando se utiliza la fresadora a lo largo del plano interior de la plantilla, las dimensiones del producto acabado serán menores que las de la plantilla en una cantidad igual a la dimensión "A", la diferencia entre el radio de la guía de la plantilla y el radio de la broca. Lo inverso sucede cuando se utiliza la fresadora a lo largo del exterior de la plantilla.

Asegure la plantilla a la pieza de trabajo. Haga avanzar la fresadora de manera que la guía de la plantilla se mueva a lo largo de la plantilla, como se muestra en la Fig. 12.

(2) Guía recta (accesorio opcional)

Utilice una guía recta para biselar y cortar ranuras a lo largo de la parte lateral de los materiales.

① Inserte la barra de guía en el orificio del sujetador de la barra y, a continuación, apriete ligeramente los 2 pernos de aletas (A) de la parte superior de dicho sujetador.

② Inserte la barra de guía en el orificio de la base y, a continuación, apriete firmemente los 2 tornillos de cabeza hueca hexagonal (accesorios estándar).

③ Utilice el tornillo de alimentación para realizar ajustes precisos de las dimensiones entre la broca y la superficie de la guía y, a continuación, apriete firmemente los 2 pernos de aletas (A) de la parte superior del sujetador de la barra y el perno de aletas (B) de fijación de la guía recta. (Fig. 13)

④ Como se muestra en la Fig. 14, asegure firmemente la parte inferior de la base a la superficie procesada de los materiales. Haga avanzar la fresadora mientras mantiene el plano de la guía sobre la superficie de los materiales.

5. Corte

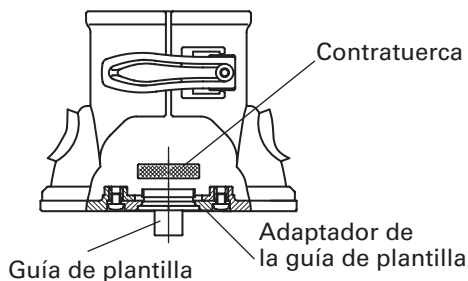


Fig. 11

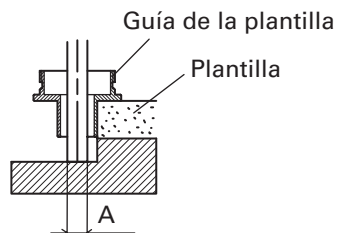


Fig. 12

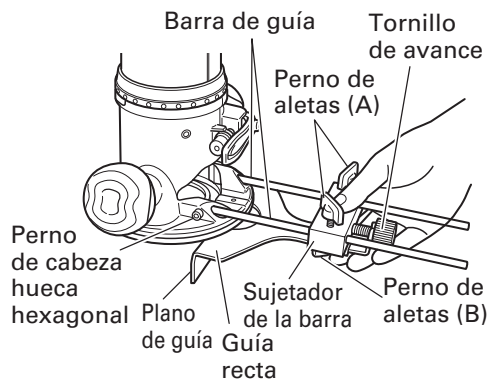


Fig. 13

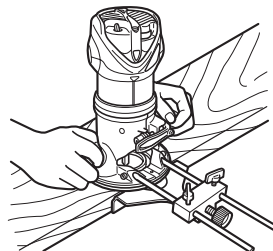


Fig. 14

⚠️ ADVERTENCIA:

- Utilice protectores para los ojos mientras opera la herramienta.
- Mientras opera la herramienta, mantenga sus manos, cara y otras partes del cuerpo alejados de las brocas y otras piezas de rotación.

- (1) Al conectar la alimentación, la broca debe estar separada de los materiales que se van a cortar. (Fig. 15)
- (2) Luego encienda la herramienta y espere hasta que la broca alcance la velocidad total.
- (3) La broca gira en el sentido de las agujas del reloj (dirección de la flecha indicada en la base). Para una máxima efectividad de corte, observe las direcciones de avance mostradas en la Fig. 16.

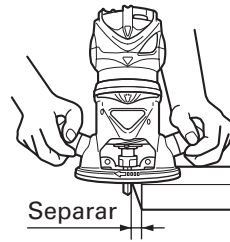


Fig. 15

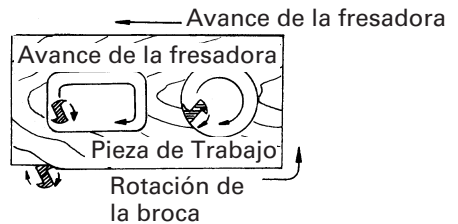


Fig. 16

NOTA:

- Mover la herramienta hacia adelante a una velocidad excesiva podrá producir una calidad de corte deficiente, o daños en la broca o el motor. Mover la herramienta hacia adelante a una velocidad muy lenta podrá quemar e indentar el corte. La velocidad de avance apropiada del tamaño de la broca, de la clase de pieza de trabajo y de la profundidad de corte. Antes de empezar a trabajar en la pieza de trabajo real, se recomienda realizar un corte de prueba sobre un trozo de madera que no necesite. Esto le permitirá saber con exactitud cómo se realizará el corte y verificar también las dimensiones.
- Las anomalías y las sobrecargas harán que se active el protector de sobrecarga, y la operación se parará. Quite la carga inmediatamente, desconecte la alimentación, y vuélvala a conectar. Entonces se restablecerá la velocidad de rotación normal.
- No utilice un generador de energía como fuente de alimentación. La velocidad de rotación podría fluctuar.
- Cuando se utiliza una guía recta, asegúrese de instalarla sobre el lado derecho de la dirección de avance. Esto le ayudará a mantenerla a ras con el lateral de la pieza de trabajo.

MANTENIMIENTO E INSPECCIÓN

⚠ ADVERTENCIA: Antes de realizar el mantenimiento o la inspección de la amoladora, cerciéndose de OFF la alimentación y de desenchufar el cable de alimentación del tomacorriente.

1. Inspección de los tornillos
Inspeccione regularmente todos los tornillos y asegúrese de que estén completamente apretados. Si hay algún tornillo flojo, apriételo inmediatamente.

⚠ ADVERTENCIA: La utilización de esta fresadora con tornillos flojos es extremadamente peligroso.

2. Inspección de las escobillas (Fig. 17)
El motor utiliza escobillas de carbón, que son piezas fungibles. Reemplace las escobillas por otras nuevas cuando se hayan desgastado hasta su límite. Mantenga siempre limpias las escobillas para asegurar que se deslicen libremente dentro de los portaescobillas.

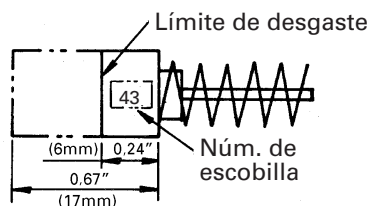


Fig. 17

⚠ PRECAUCIÓN: La utilización de esa ranuradora con escobillas desgastadas más allá del límite dañará el motor.

NOTA: Utilice las escobillas metabo HPT Núm. 43 indicadas en la Fig. 17.

3. Reemplazo de las escobillas
Quite la tapa de la escobilla (Fig. 18) con un destornillador de punta plana. La escobilla podrá extraerse fácilmente.
4. Mantenimiento y reparación
Todas las herramientas eléctricas de calidad requieren de vez en cuando el servicio de mantenimiento o el reemplazo de piezas debido al desgaste producido durante la utilización normal. Para asegurarse de que solamente se utilicen piezas de reemplazo autorizadas, todos los servicios de mantenimiento y reparación deberán realizarse SOLAMENTE EN UN CENTRO DE REPARACIONES AUTORIZADO POR metabo HPT.
5. Lista de repuestos

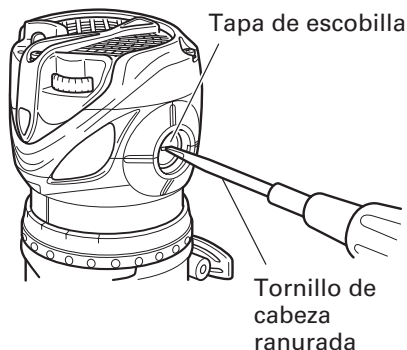


Fig. 18

⚠ PRECAUTION: La reparación, modificación e inspección de las herramientas eléctricas metabo HPT deben ser realizadas por un Centro de Reparaciones Autorizado por metabo HPT.

Esta lista de repuestos será de utilidad si es presentada junto con la herramienta al Centro de Reparaciones Autorizado por metabo HPT para solicitar la reparación o cualquier otro tipo de mantenimiento. En el manejo y el mantenimiento de las herramientas eléctricas, se deberán observar las normas y reglamentos vigentes en cada país.

6. Lista de repuestos

- A: N°. ítem
- B: N°. código
- C: N°. usado
- D: Observaciones

⚠ PRECAUTION: La reparación, modificación e inspección de las herramientas eléctricas metabo HPT deben ser realizadas por un Centro de Servicio Autorizado de metabo HPT.

Esta lista de repuestos será de utilidad si es presentada junto con la herramienta al Centro de Servicio Autorizado de metabo HPT para solicitar la reparación o cualquier otro tipo de mantenimiento.

En el manejo y el mantenimiento de las herramientas eléctricas, se deberán observar las normas y reglamentos vigentes en cada país.

MODIFICACIONES:

metabo HPT Power Tools introduce constantemente mejoras y modificaciones para incorporar los últimos avances tecnológicos.

Por consiguiente, algunas partes (por ejemplo, números de códigos y/o diseño) pueden ser modificadas sin previo aviso.

ACCESORIOS

⚠️ ADVERTENCIA: SIEMPRE utilice únicamente repuestos y accesorios autorizados por metabo HPT. NO utilice NUNCA repuestos o accesorios no previstos para usar con esta herramienta. Si tiene dudas en cuanto a la seguridad de usar determinado repuesto o accesorio junto con su herramienta, póngase en contacto con metabo HPT. La utilización de otros accesorios puede resultar peligrosa y causar lesiones o daños mecánicos.

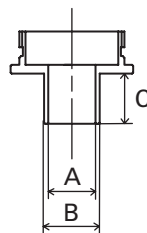
NOTA:

Los accesorios están sujetos a cambio sin ninguna obligación por parte de metabo HPT.

ACCESORIOS ESTÁNDAR

1. Modelo M12VC, M12SC

- (1) Mandril portabroca de 1/4" (N° de código 323-293)
- (2) Adaptador de guía de plantilla (se fija a la fresadora) (N° de código 323-272)
- (3) Calibrador de centrado (N° de código 323-296)
- (4) Llave de 16 mm (N° de código 323-294)
- (5) Llave de 23 mm (N° de código 323-295)



2. Modelo KM12VC, KM12SC

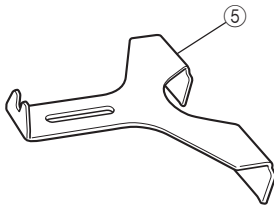
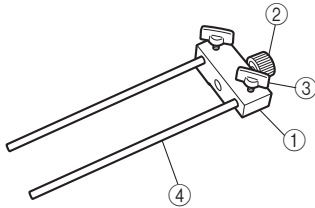
- (1) 1/4" Mandril portabroca (N° de código 323-293)
- (2) Adaptador de guía de plantilla (se fija a la fresadora) (N° de código 323-272)
- (3) Calibrador de centrado (N° de código 323-296)
- (4) Llave de 16 mm (N° de código 323-294)
- (5) Llave de 23 mm (N° de código 323-295)
- (6) Base secundaria del orificio grande (N° de código 323-297)
- (7) Guía de plantilla (Véase Fig. 19)
- (8) Contratuerca (N° de código 323-305)
- (9) Cubierta de virutas (N° de código 323-292)
- (10) Caja (N° de código 323-358)

Code No.	A	B	C
323-298	1/4" (6,5 mm)	5/16" (8 mm)	5/32" (4 mm)
323-299	9/32" (7 mm)	3/8" (9,5 mm)	5/16" (8 mm)
323-300	11/32" (8,7 mm)	7/16" (11,1 mm)	5/32" (4 mm)
323-301	13/32" (10,3 mm)	1/2" (12,7 mm)	5/16" (8 mm)
323-302	17/32" (13,5 mm)	5/8" (16 mm)	9/16" (14,3 mm)
323-303	21/32" (16,6 mm)	3/4" (19,1 mm)	9/16" (14,3 mm)
323-304	5/8" (16 mm)	51/64" (20,2 mm)	9/16" (14,3 mm)

Fig. 19

ACCESORIOS OPCIONALES de venta por separado

- (1) Juego de guía recta (N° de código 323-342)
- ① Sujetador de barra (N° de código 323-343)
 - ② Tornillo de avance (N° de código 956-793)
 - ③ Perno de aletas (N° de código 301-806)
 - ④ Barra de guía (N° de código 323-345)
 - ⑤ Guía recta (N° de código 323-344)



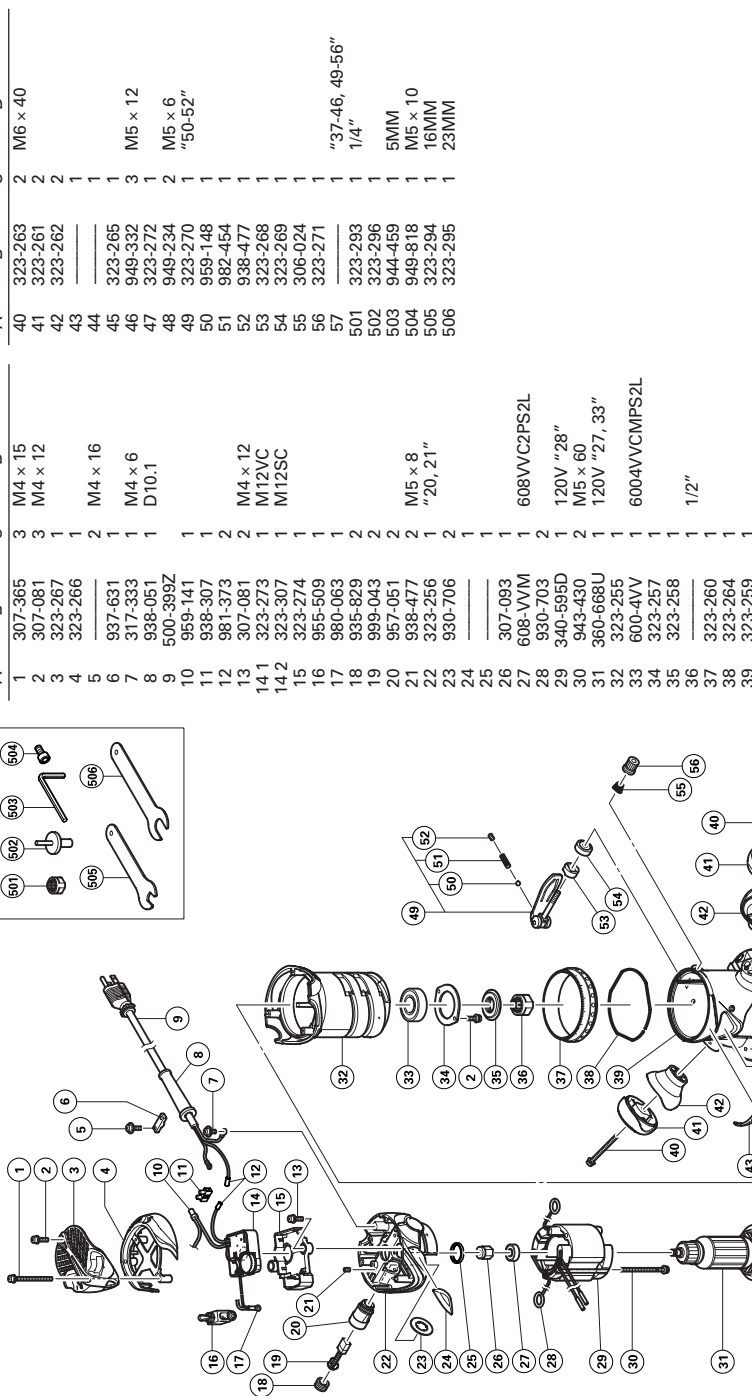
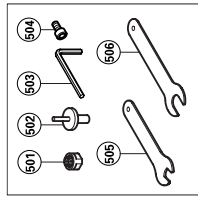
- (2) Juego de colector de polvo (N° de código 323-346)

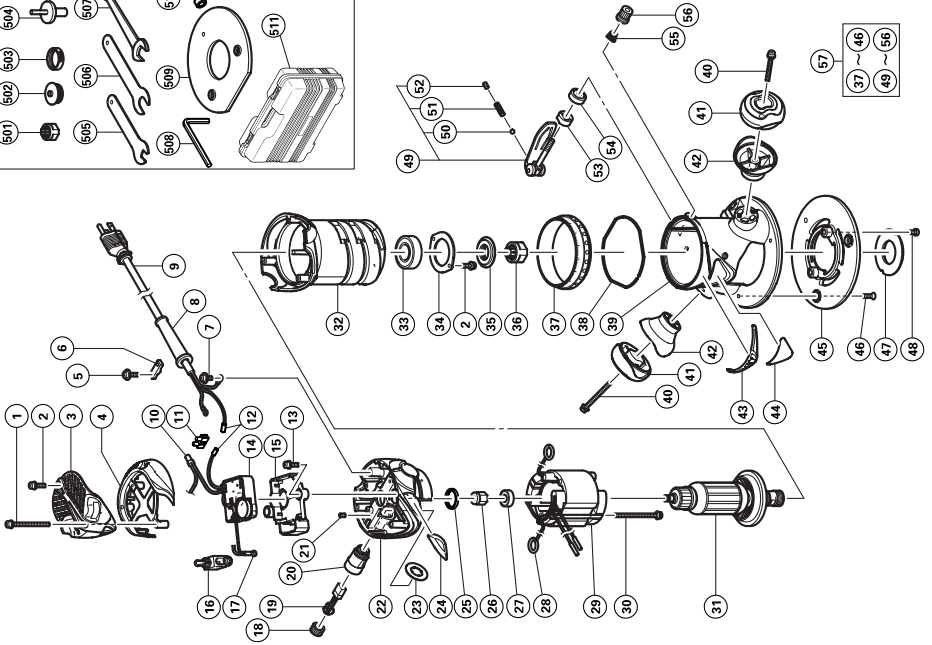
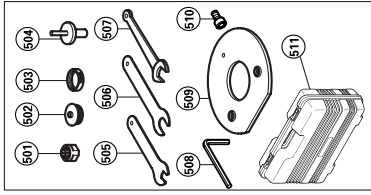
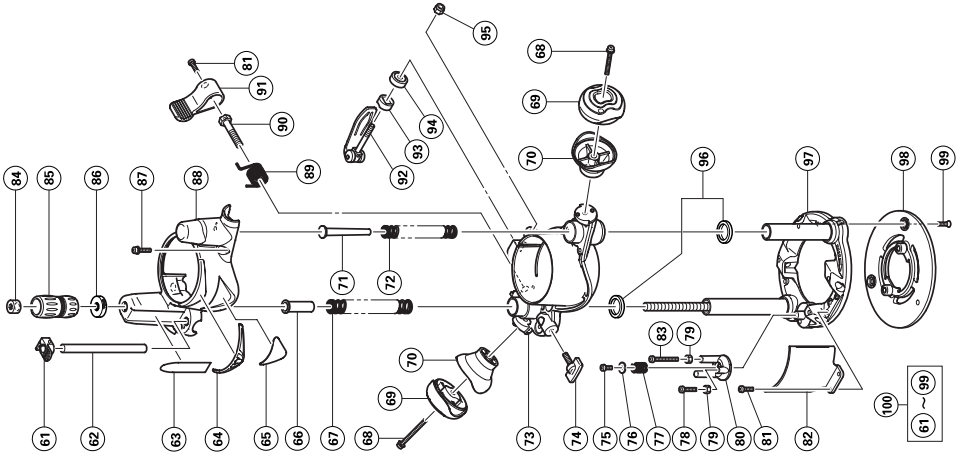


NOTA:

Las especificaciones están sujetas a cambio sin ninguna obligación por parte de metabo HPT.

M12VC..M12SC



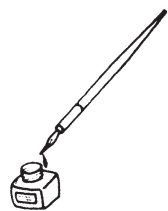


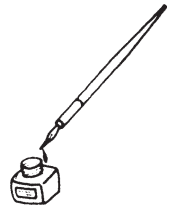
KM12VC, KM12SC

A	B	C	D
84	949-560	1	M10
85	323-278	1	
86	_____	1	
87	307-294	4	M5 x 16
88	323-277	1	
89	323-284	1	
90	323-285	1	
91	323-283	1	
92	323-280	1	
93	323-268	1	
94	323-269	1	
95	311-144	1	M6 x 40
96	_____	2	
97	323-276	1	
98	323-265	1	
99	949-332	3	M5 x 12
100	_____	1	"61-99"
501	323-293	1	1/4"
502 1	323-298	1	D7.9
502 2	323-299	1	D9.5
502 3	323-300	1	D11.1
502 4	323-301	1	D12.7
502 5	323-302	1	D15.9
502 6	323-303	1	D19.1
502 7	323-304	1	D20.2
503	323-305	1	
504	323-296	1	16MM
505	323-294	1	23MM
506	323-295	1	10MM
507	_____	1	5MM
508	944-459	1	
509	323-297	1	
510	949-818	2	M5 x 10
511	323-358	1	

A	B	C	D
41	323-261	2	
42	323-262	2	
43	_____	1	
44	_____	1	
45	323-265	1	
46	949-332	3	M5 x 12
47	323-272	2	M5 x 6
48	949-234	2	"50-52"
49	323-270	1	
50	959-148	1	
51	982-454	1	
52	938-477	1	
53	323-268	1	
54	323-269	1	
55	306-024	1	
56	323-271	1	"37-46, 49-56"
57	_____	1	
61	323-287	1	
62	323-286	1	
63	323-279	1	
64	_____	1	
65	_____	1	
66	323-288	1	
67	323-289	1	
68	323-263	2	M6 x 40
69	323-261	2	
70	323-262	2	
71	323-290	1	
72	323-291	1	
73	323-275	1	
74	301-806	1	M5 x 15
75	949-216	1	M4 x 10
76	323-282	1	
77	971-858	1	
78	_____	1	
79	_____	2	
80	323-281	1	
81	305-691	3	M4 x 12
82	323-292	1	
83	_____	1	

A	B	C	D
1	307-365	3	M4 x 15
2	307-081	3	M4 x 12
3	323-267	1	
4	323-266	1	
5	_____	2	M4 x 16
6	937-631	1	
7	317-333	1	M4 x 6
8	938-051	1	D10.1
9	500-399Z	1	
10	959-141	1	
11	938-307	1	
12	981-373	2	
13	307-081	2	M4 x 12
14 1	323-273	1	KM12VC
14 2	323-307	1	KM12SC
15	323-274	1	
16	955-509	1	
17	980-063	1	
18	935-829	2	
19	999-043	2	
20	957-051	2	
21	938-477	2	M5 x 8
22	323-256	1	"20, 21"
23	930-706	2	
24	_____	1	
25	_____	1	
26	307-093	1	
27	608-VVM	1	608VVC2PS2L
28	930-703	2	
29	340-595D	1	120V "28"
30	943-430	2	M5 x 60
31	360-668U	1	120V "27, 33"
32	323-255	1	
33	600-4VV	1	600AVVCMP2L
34	323-257	1	
35	323-258	1	
36	_____	1	1/2"
37	323-260	1	
38	323-264	1	
39	323-259	1	
40	323-263	2	M6 x 40





WARNING:

Some dust created by power sanding, sawing, grinding, drilling, and other construction activities contains chemicals known to the State of California to cause cancer, birth defects or other reproductive harm. Some examples of these chemicals are:

- Lead from lead-based paints,
- Crystalline silica from bricks and cement and other masonry products, and
- Arsenic and chromium from chemically-treated lumber.

Your risk from these exposures varies, depending on how often you do this type of work. To reduce your exposure to these chemicals: work in a well ventilated area, and work with approved safety equipment, such as those dust masks that are specially designed to filter out microscopic particles.

AVERTISSEMENT:

La poussière résultant d'un ponçage, d'un sciage, d'un meulage, d'un perçage ou de toute autre activité de construction renferme des produits chimiques qui sont connus par l'Etat de Californie pour causer des cancers, des défauts de naissance et autres anomalies de reproduction. Nous énumérons ci-dessus certains de ces produits chimiques:

- Plomb des peintres à base de plomb,
- Silice cristalline des briques et du ciment et autres matériaux de maçonnerie, et
- Arsenic et chrome du bois d'oeuvre traité chimiquement.

Le risque d'exposition à ces substances varie en fonction de la fréquence d'exécution de ce genre de travail. Pour réduire l'exposition à ces produits chimiques, travailler dans un lieu bien ventilé, et porter un équipement de protection agréé, par exemple un masque anti-poussière spécialement conçu pour filter les particules microscopiques.

ADVERTENCIA:

Algunos polvos creados por el lijado mecánico, el aserrado, el esmerilado, el taladrado y otras actividades de construcción contienen sustancias químicas conocidas por le Estado de California como agentes cancerígenos, defectos congénitos y otros daños reproductores. Algunos ejemplos de estas sustancias químicas son:

- El plomo de las pinturas a base de plomo,
- El sílice cristalino de los ladrillos y cemento y otros productos de mampostería, y
- El arsénico y el cromo de la madera tratada químicamente.

El riesgo resultante de la exposición varía según la frecuencia con que se realiza este tipo de trabajo. Para reducir la exposición a esta sustancias químicas: trabaje en un lugar bien ventilado y realice el trabajo utilizando el equipamiento apropiado, tal como las máscaras para el polvo especialmente diseñados para eliminar las partículas minúsculas.

Issued by

Koki Holdings Co., Ltd.

Shinagawa Intercity Tower A, 15-1, Konan 2-chome,
Minato-ku, Tokyo 108-6020, Japan

Distributed by

Koki Holdings America Ltd.

1111 Broadway Ave,
Braselton, Georgia, 30517

Koki Holdings America Ltd. Canadian Branch

3405 American Drive, Units 9-10,
Mississauga, ON, L4V 1T6

806
Code No. C99133062 F
Printed in China