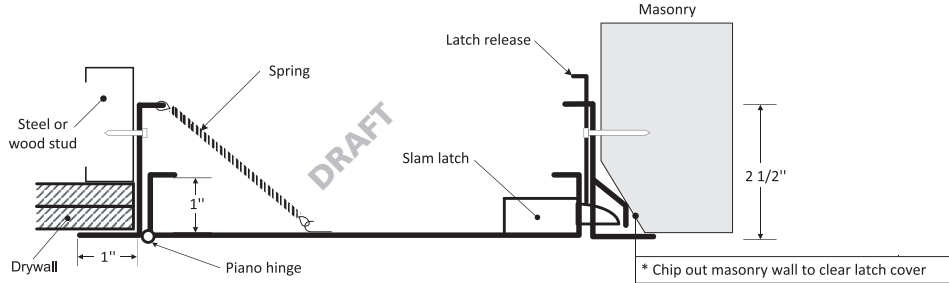


**FIRE RATED UNINSULATED ACCESS DOOR**  
FOR WALLS ONLY

**BA-FRN**

INSTALLATION: WALLS ONLY

[ 2 HOUR WALL APPLICATION ]



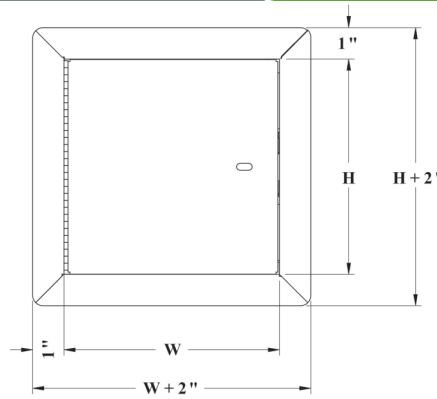
Authorities Having Jurisdiction (AHJ) should be consulted in all cases as to the particular requirements covering the installation and use of fire rated access doors.

DIMENSIONS AND APPEARANCE

LEED ready: This product contributes to LEED® credits.

Your odd sizes:  
Made in 5 days

DOOR SIZE W x H inches (MM)	NUMBER OF LOCKS	WEIGHT LBS KG
8 x 8 (203 x 203)	1	5 2.3
10 x 10 (254 x 254)	1	7 3.2
12 x 12 (304 x 304)	1	8 3.6
14 x 14 (355 x 355)	1	10 4.5
16 x 16 (406 x 406)	1	12 5.5
18 x 18 (457 x 457)	1	14 6.4
22 x 22 (558 x 558)	1	18 8.2
22 x 30 (558 x 762)	1	22 10
22 x 36 (558 x 914)	2	27 12.2
24 x 24 (609 x 609)	1	22 10
24 x 36 (609 x 914)	2	29 13.2
30 x 30 (762 x 762)	1	30 13.6
32 x 32 (812 x 812)	2	33 15
36 x 36 (914 x 914)	2	39 17.7



Rough wall opening is door size + 1/4" or + 6mm



DESCRIPTION AND MATERIAL SPECIFICATION

**FIRE RATING: For vertical wall assemblies only:**

CERTIFIED TO STANDARDS: UBC 7-2 (1997), UL 10B (1997), UL 10B (2009), NFPA 252 (2003), NFPA 252 (2008), NFPA 252 (2012), CAN/ULC S104 (R1985), CAN/ULC S104 (2010).

RATING ACHIEVED: 1-1/2 hours, neutral/negative pressure.

MAXIMUM SIZE: 36" wide x 36" high (914 mm x 914 mm). Maximum area of 1296 in<sup>2</sup>.

Tolerance on height and width limitation is ± 3" (76 mm) as long as the area does not exceed 1296 in<sup>2</sup>.

TEMPERATURE RISE: No rating achieved.

**Material:** 16 gauge cold rolled steel

**Hinge:** continuous piano hinge

**Lock / latch:** self latching tool-key operated latch and/or ring operated latch, both included

**Inside panel release:** standard on all doors over 12" x 12"

**Automatic panel closer:** standard on all doors

**Finish:** high quality white powder coat primer

**Packaging:** individually wrapped, 1 per box

**POPULAR OPTIONS** For complete list of options go to: [www.bestaccessdoors.com](http://www.bestaccessdoors.com)

**Material:** stainless steel #4 (brushed finish),

**Lock / latch:** key operated cylinder cam latch, handle operated slam latch, mortise preparation for cylinder (cylinder optional), hex head slam latch, mortise deadbolt lock

**Masonry anchor:** available on all sizes



PROJECT DATA

PROJECT NAME:	QTY	W	H	OPTIONS
ARCHITECT:				
DEALER:				
CONTRACTOR:				
LOCATION:	SPECIAL INSTRUCTIONS:			
DATE:				
TAGGING INSTRUCTIONS:	SUBMITTAL APPROVAL: (signature or stamp)			