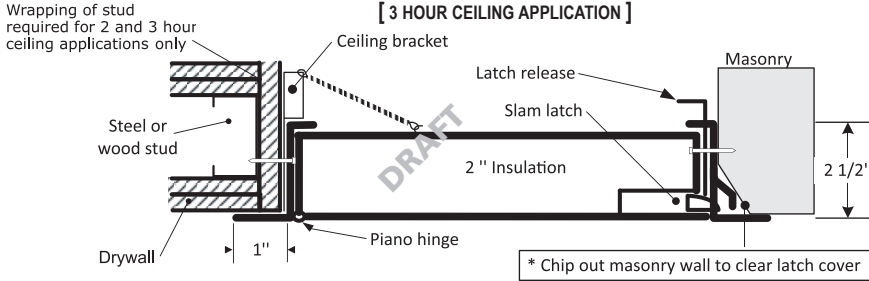


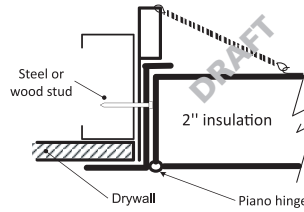
FIRE RATED INSULATED ACCESS DOOR
FOR ALL SURFACE TYPES

BA-FRI

INSTALLATION: WALLS AND CEILINGS



[1 HOUR CEILING APPLICATION]

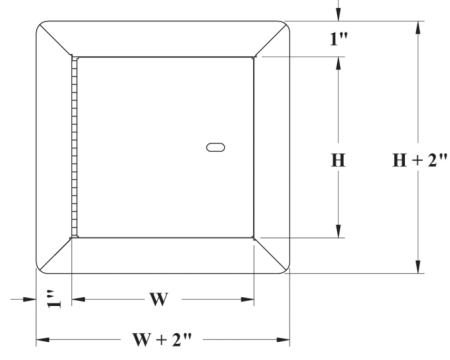


Authorities Having Jurisdiction (AHJ) should be consulted in all cases as to the particular requirements covering the installation and use of fire rated access doors.

DIMENSIONS AND APPEARANCE

DOOR SIZE W x H inches (MM)	NUMBER OF LOCKS	WEIGHT	
		LBS	KG
8 x 8 (203 x 203)	1	7	3.2
10 x 10 (254 x 254)	1	8	3.6
12 x 12 (304 x 304)	1	10	4.5
14 x 14 (355 x 355)	1	12	5.4
16 x 16 (406 x 406)	1	14	6.4
18 x 18 (457 x 457)	1	17	7.7
22 x 22 (558 x 558)	1	20	9.1
22 x 30 (558 x 762)	1	30	13.6
22 x 36 (558 x 914)	2	34	15.5
24 x 24 (609 x 609)	1	28	12.7
24 x 36 (609 x 914)	2	36	16.4
* 24 x 48 (609 x 1219)	2	48	21.8
* 30 x 30 (762 x 762)	1	40	18.1
* 32 x 32 (812 x 812)	2	43	19.5
* 36 x 36 (914 x 914)	2	50	22.7
* 48 x 48 (1219 x 1219)	2	83	37.7

LEED ready: This product contributes to LEED® credits.



Rough wall opening is door size + 1/4" or + 6mm
*Not available for ceiling rating (maximum 24"x36")

Your odd sizes:
Made in 5 days

DESCRIPTION AND MATERIAL SPECIFICATION

FIRE RATING: For installation in vertical wall assemblies:
CERTIFIED TO STANDARDS: UBC 7-2 (1997), UL 10B (1997), UL 10B (2009), NFPA 252 (2003), NFPA 252 (2008), NFPA 252 (2012), CAN/ULC S104 (R1985), CAN/ULC S104 (2010).
RATING ACHIEVED: 3 hours, neutral/negative pressure.
MAXIMUM SIZE: 48" wide x 48" high (1219 mm x 1219 mm). Maximum area of 2304 in². Tolerance on height and width limitation is ± 3" (76 mm) as long as the area does not exceed 2304 in².
TEMPERATURE RISE: 250°F (121°C) after 30 min. 450°F (232°C) after 60 min.

FIRE RATING: For installation in horizontal ceiling assemblies:
CERTIFIED TO STANDARDS: ASTM E119 (2012), CAN/ULC S101 (2007).
RATING ACHIEVED: 3 hours in non-combustible construction.
1 hour in combustible construction.
MAXIMUM SIZE: 24" x 36" (hinges & latch on 36" long sides) (610 mm x 914 mm). Tolerances on dimension limitations are ± 3" (76 mm) as long as the area does not exceed 864 in².
TEMPERATURE RISE: Not applicable.

- Material:** 16 gauge cold rolled steel frame and 20 gauge galvalneal steel door
- Insulation:** mineral wool
- Hinge:** continuous piano hinge
- Lock / latch:** self latching tool-key operated slam latch and/or ring operated slam latch, both included
- Inside panel release:** standard on all doors over 12" x 12"
- Automatic panel closer:** standard on all doors
- Finish:** high quality white powder coat primer
- Packaging:** individually wrapped, 1 per box
- POPULAR OPTIONS**
- Material:** stainless steel #4 (brushed finish)
- Lock / latch:** handle operated slam latch, mortise preparation for cylinder (cylinder optional), hex head slam latch, mortise deadbolt lock
- Masonry anchor:** available on all sizes

For complete list of options go to: www.bestaccessdoors.com

CENDREX PARTNERS



PROJECT DATA

PROJECT NAME:	QTY	W	H	OPTIONS
ARCHITECT:				
DEALER:				
CONTRACTOR:				
LOCATION:	SPECIAL INSTRUCTIONS:			
DATE:				
TAGGING INSTRUCTIONS:	SUBMITTAL APPROVAL: (signature or stamp)			