

DOOR FILTER™

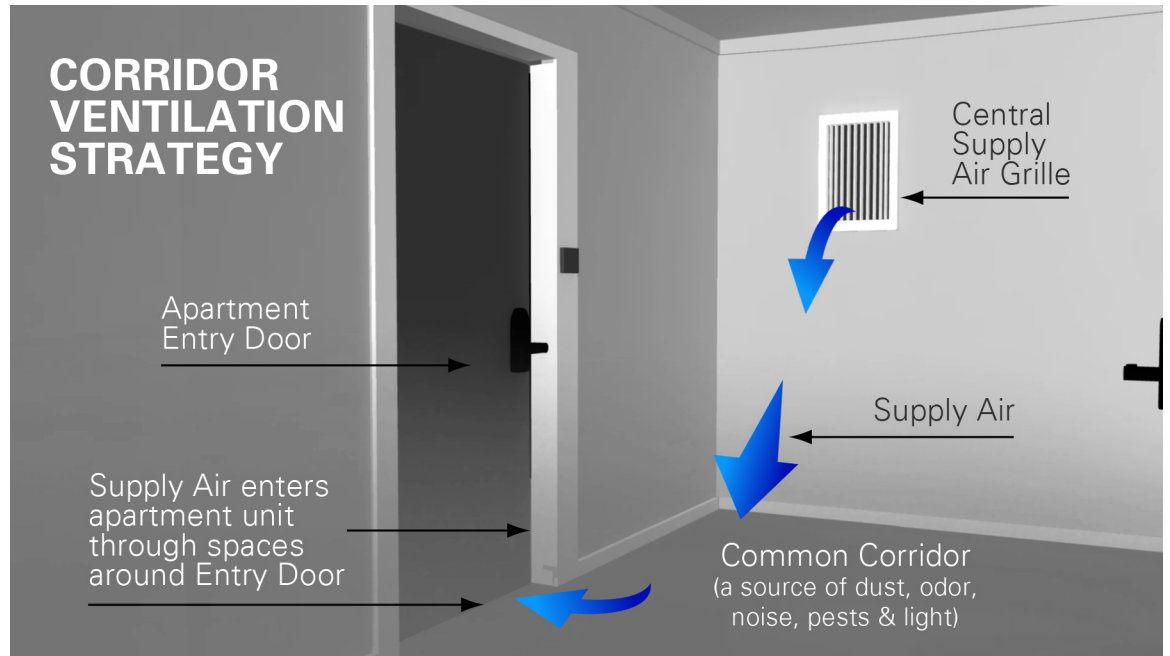
Clean Air Residential Filter



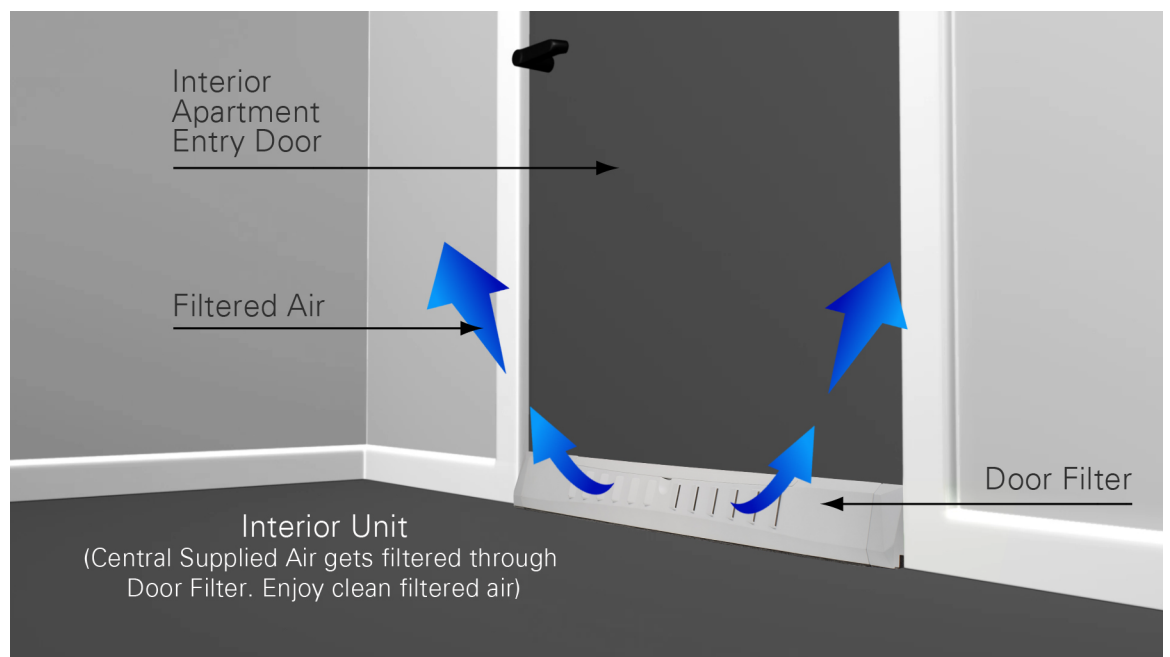
Door Filter™ air filter helps reduce indoor air irritants like dust, odor, noise, pests, light, and cooking fumes.

CORRIDOR VENTILATION STRATEGY

There is a long list of common complaints among apartment dwellers related to indoor air quality. This is a result of the ineffective "Corridor Ventilation Strategy" which has been replicated since the 1960's in thousands of buildings across North America (and internationally).



Essentially, fresh air is pumped into common corridors and then makes its way into each apartment unit through the spaces around a unit's entry door (between the door and its frame). While air enters into a unit, so may a host of other irritants like dust, odor, noise, pests, light, and in some rare cases carbon monoxide fumes from parking garages.



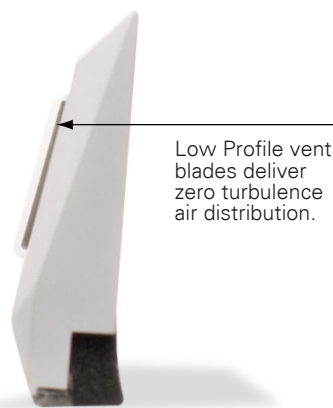
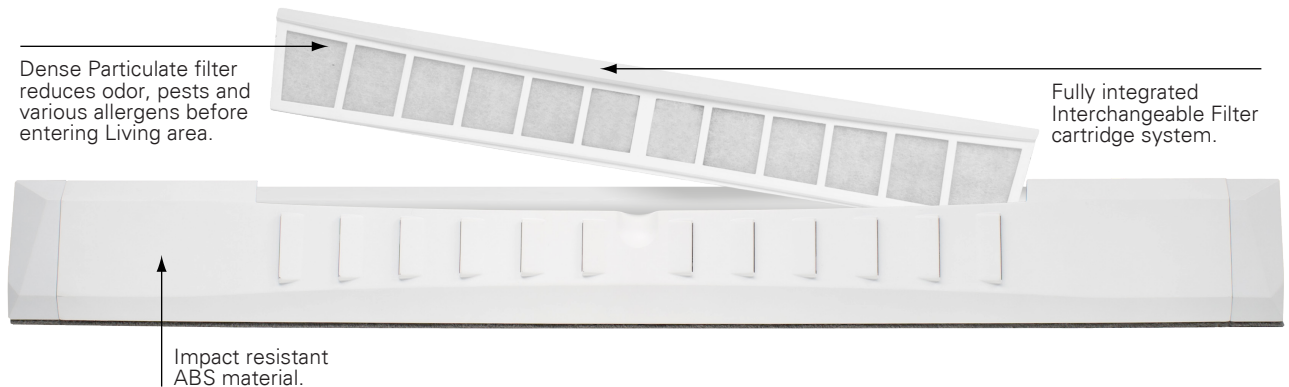
Designed to Improve the Indoor Air Quality within Apartment Units.

DOOR FILTER™

Clean Air Residential Filter

Door Filter™ air filter is a proven way to help remove indoor air irritants like dust, odor, noise, pests, light, and cooking fumes.

Introducing "Door Filter™" – A newly developed, innovative, North American filtration product designed to improve the indoor air quality within apartment units. Among the most common complaints of apartment dwellers is the issue of poor indoor air quality. By contrast, the Door Filter™ technology provides a simple, elegant and cost-effective solution that works with and enhances the existing corridor ventilation system.



Door Filter™ is a dense ABS extension that is fitted and secured to the bottom of the inside face of an apartment entry door and lined with a door sweep. A removable multi-stage air filter is placed inside the device. Small openings in the plastic allow air to pass through the device and internal filter promoting clean airflow into the apartment unit. The system has the added benefit of decreasing noise and eliminating light transfer from the corridor into the suite. In short, with Door Filter™, you can now add fresh air to the many benefits of apartment living.

While air enters into a unit, so may a host of other irritants like dust, odor, noise, pests, light, and cooking fumes.

The Clean Air Difference

By contrast, the Door Filter™ technology provides a simple, elegant and cost-effective solution that works with and enhances the existing corridor ventilation system. Door Filter™ is an innovative, new, North American-designed filtration product that improves the indoor air quality within apartment units as it captures a variety of air pollutants while still allowing proper air movement from the corridor to the apartment unit. Door Filter™ is a dense ABS extension that is fitted and secured to the bottom of the inside face of an apartment entry door and lined with a door sweep (to seal off units).

BENEFITS OF DOOR FILTER™

Door Filter™ will reduce your air of unwanted airborne particulates such as:

- DUST / PET DANDER
- COOKING FUMES (FROM OTHER UNITS)
- ODORS
- MICROBES / VIRUSES / BACTERIA

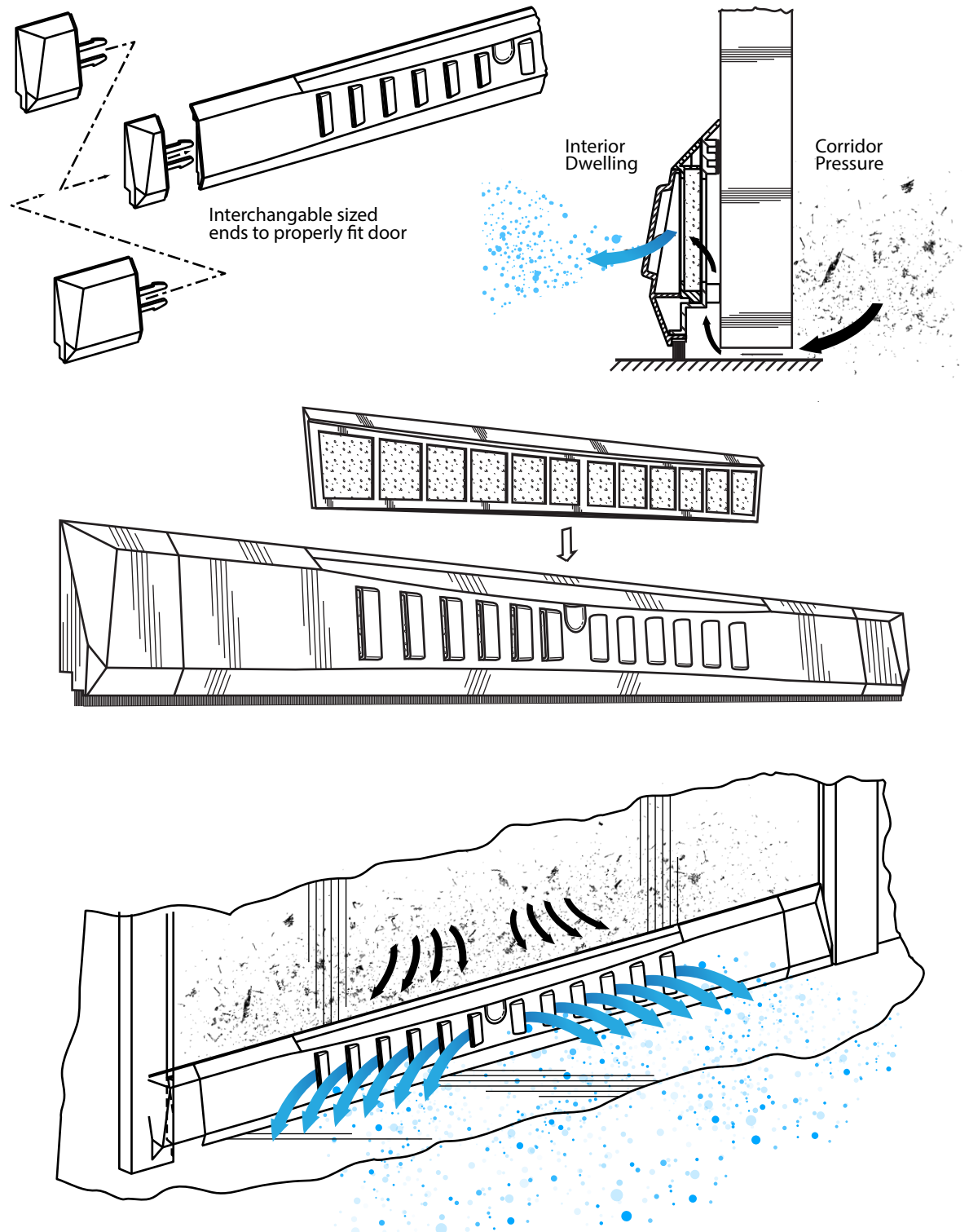
Door Filter™ will also reduce other irritants originating from the common corridors such as:

- NOISE
- LIGHT
- PESTS

DOOR FILTER

Clean Air Residential Filter

DOOR FILTER SPECS

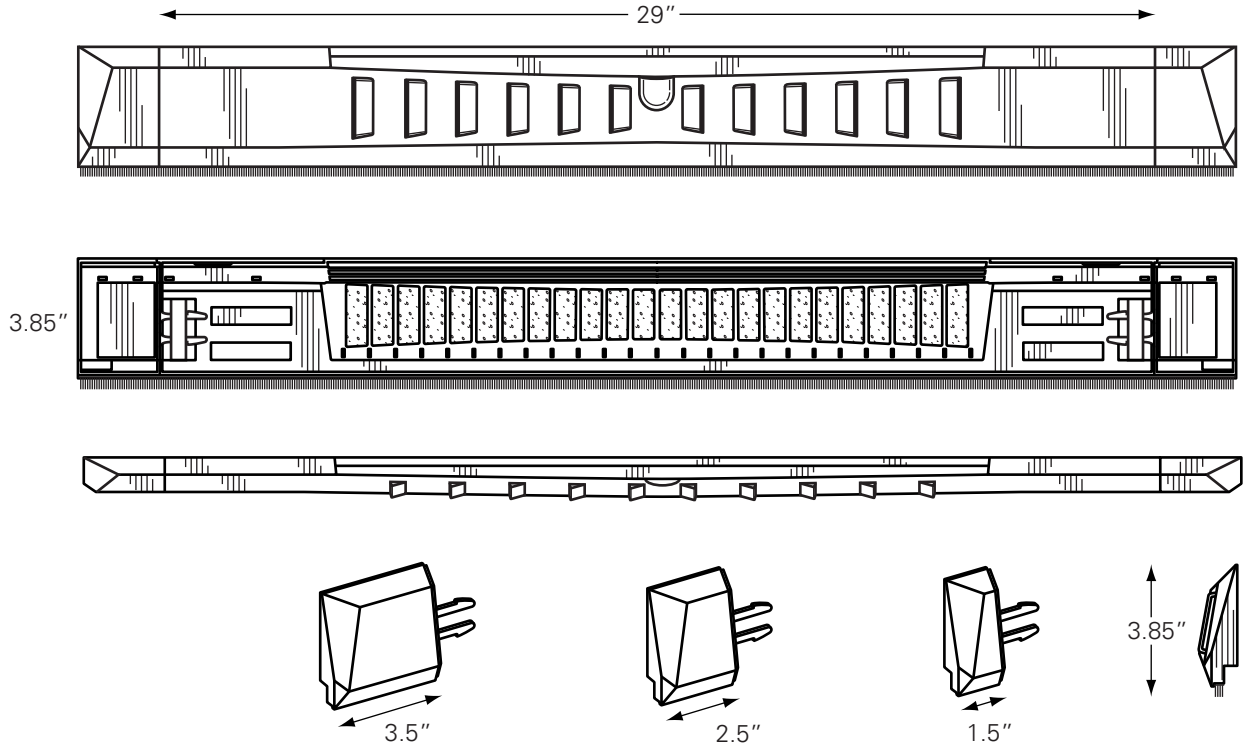


- Door Filter™ filters larger particles and some Volatile Organic Compounds
- Door Filter™ is a Hands-off, continuous powerless system that works with existing infrastructure
- Door Filter™ reliability - "has no moving parts that means the product will last a long time"
- Empowering the customer by providing them with another choice in home air filtration at the source of air supply.

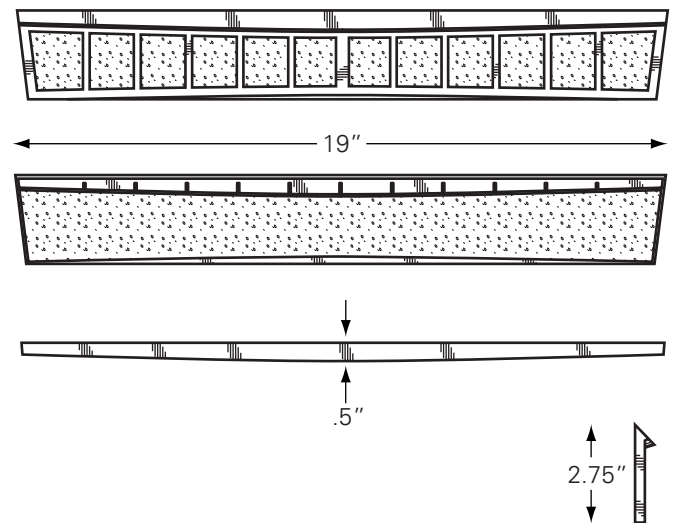
DOOR FILTER™

Clean Air Residential Filter

DOOR FILTER™



DOOR FILTER™ REPLACEMENT FILTER SPECS



Door Filter™ is a dense ABS extension that is fitted and secured to the bottom of the inside face of an apartment entry door and lined with a door sweep. A removable multi-stage air filter is placed inside the device. Small openings in the plastic allow air to pass through the device and internal filter promoting clean airflow into the apartment unit.