

12'x16' MERIDIAN WOOD GAZEBO

with ALUMINUM ROOF

Installation and Operating Instructions – YM11915



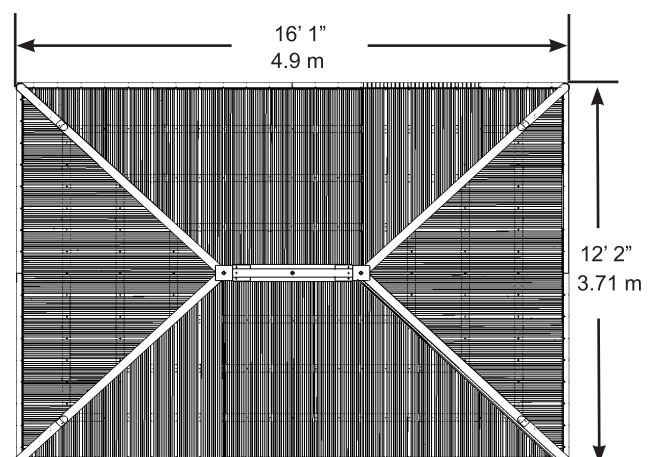
IMPORTANT, RETAIN FOR FUTURE REFERENCE: READ CAREFULLY

HEIGHT:
10'4" / 3.15m

Revised 05-14-2020

**YARDISTRY**[®]

Yardistry – North America
Toll Free Customer Support:
1.888.509.4382
info@yardistrystructures.com
www.yardistrystructures.com



Important Safety Notice!

Yardistry components are intended for privacy, decorative and ornamental use only.

Product is NOT INTENDED for the following:

- A safety barrier to prevent unsupervised access to pools, hot tubs, spas or ponds.
- As load bearing support for a building, structure, heavy objects or swings.
- Used in structures that trap wind, rain or snow that would create extra load on the product.

Accumulated snow must be removed from roof.

DO NOT climb or walk on roof for any reason.

Permanent structures may require a building permit. As the purchaser and or installer of this product you are advised to consult local planning, zoning and building inspection departments for guidance on applicable building codes and/or zoning requirements.

Wood is NOT flame retardant and will burn. Grills, fire pits and chimineas are a fire hazard if placed too close to a Yardistry structure. Consult user's manual of the grill, fire pit or chimenea for safe distances from combustible materials.

Wear gloves to avoid injury from possible sharp edges of individual elements before assembly.

During installation, follow all safety warnings provided with your tools and use OSHA approved safety glasses. Some structures may require two or more people to install safely.

Check for underground utilities before digging or driving stakes into the ground!

It is important during assembly to closely follow the instructions, complete the assembly on a solid level surface and that you follow the instruction to square up, level and anchor the structure, this will reduce the gap at wood connections during assembly.

General Information

General Information: Wood components are manufactured with Cedar (C. Lanceolata) which is protected with factory applied water-based stain. Knots, small checks (cracks) and weathering are naturally occurring and do not affect the strength of the product. Annual application of a water-based water repellent sealant or stain is important and will help reduce weathering and checks.

www.yardistrystructures.com

Questions?

Call toll free or write us at:

1 (888) 509-4382

info@yardistrystructures.com

Patents Pending

Limited Warranty

Yardistry warrants that this product is free from defect in materials and workmanship for a period of one (1) year from the original date of purchase. In addition, for any product with lumber, all lumber is warranted for five (5) years against rot and decay. This warranty applies to the original owner and registrant and is non-transferable.

Regular maintenance is required to assure the integrity of your product and is a requirement of the warranty. This warranty does not cover any inspection costs.

This Limited Warranty does not cover:

- Labour for replacement of any defective item(s);
- Incidental or consequential damages;
- Cosmetic defects which do not affect performance or integrity;
- Vandalism; improper use or installation; acts of nature, including but not limited to wind, storms, hail, floods, excessive water exposure;
- Minor twisting, warping, checking or any other natural occurring properties of wood that do not affect performance or integrity.

Yardistry products have been designed for safety and quality. Any modifications made to the original product could damage the structural integrity of the product leading to failure and possible injury. Yardistry cannot assume any responsibility for modified products. Furthermore, modification voids any and all warranties.

This product is warranted for RESIDENTIAL USE ONLY. Yardistry disclaims all other representations and warranties of any kind, express or implied.

This Warranty gives you specific legal rights. You may have other rights as well which vary from state to state or province to province. This warranty excludes all consequential damages, however, some states/provinces do not allow the limitation or exclusion of consequential damages, and therefore this limitation may not apply to you.

Instructions for Proper Maintenance

Your Yardistry structure is designed and constructed of quality materials. As with all outdoor products it will weather and wear. To maximize the enjoyment, safety and life of your structure it is important that you, the owner, properly maintain it.

HARDWARE:

- Check metal parts for rust. If found, sand and repaint using a non-lead paint complying with 16 CFR 1303.
- Inspect and tighten all hardware after completion of assembly; after first month of use; and then annually. Do not over-tighten as to cause crushing and splintering of wood.
- Check for sharp edges or protruding screw threads, add washers if required.

WOOD PARTS:

- Applying a water repellent or stain (water-based) on a yearly basis is important maintenance to maintain maximum life and performance of the product.
- Check all wood members for deterioration, structural damage and splintering. Sand down splinters and replace deteriorated wood members. As with all wood, some checking and small cracks in grain is normal
- Some gapping may occur at some wood connections.

Assembly Guides

Tools Required:

- | | | |
|------------------------------|------------------|---------------------------|
| • Tape Measure | • 8' Step Ladder | • 6' Step Ladder x 3 |
| • Carpenters Level | • Safety Glasses | • Square |
| • Standard or Cordless Drill | • Adult Helper | • Ratchet |
| • Claw Hammer | • Safety Gloves | • 7/16, 1/2 & 9/16 Socket |
| • 7/16" & 9/16" Wrench | • Hard Hat | |

Symbols:

Throughout these instructions symbols are provided in the top, right-hand corner of the page.



- Use Help, where this is shown, 2, 3 or 4 people are required to safely complete this step. To avoid injury or damage to the assembly make sure to get some help.



- Use a measuring tape to assure proper location



- Pre-drill a pilot hole before fastening screw or lag to prevent splitting of wood.

If you dispose of your Yardistry structure: Please disassemble and dispose of your unit so that it does not create any unreasonable hazards at the time it is discarded. Be sure to follow your local waste ordinances.

Assembly Tips

Following are some helpful tips to make the assembly process smooth and efficient.

PRE-ASSEMBLIES:

(i.e. Post and Beam Assemblies, Roof Rafter Assembly, etc)

- Work on a raised, solid and flat surface such as, a table or saw horse.
- Keep all connections flush where shown in the instructions.
- When assembling the beams keep parts flat, straight and snug when connecting.

METAL PARTS:

- Roofing material may have sharp edges, wear safety gloves.
- Remove all plastic covering, on both sides of the metal panels, directly before installing each piece.
- Place roofing material on a non-abrasive surface before and after assembly as it can bend, dent and scratch easily.
- The roofing screws can easily crush the roof panels and roof edges when using a power drill. We recommend hand tightening the roofing screws so they sit snug and tight to the roofing material.

Permanent Installation Examples

Note: It is critically important you start with square, solid and level footings, concrete pad or deck to attach your Pergola Room.

We supply Post Mounts with this structure which gives you the flexibility to permanently install your structure to a pre-existing or new wood or concrete surface.

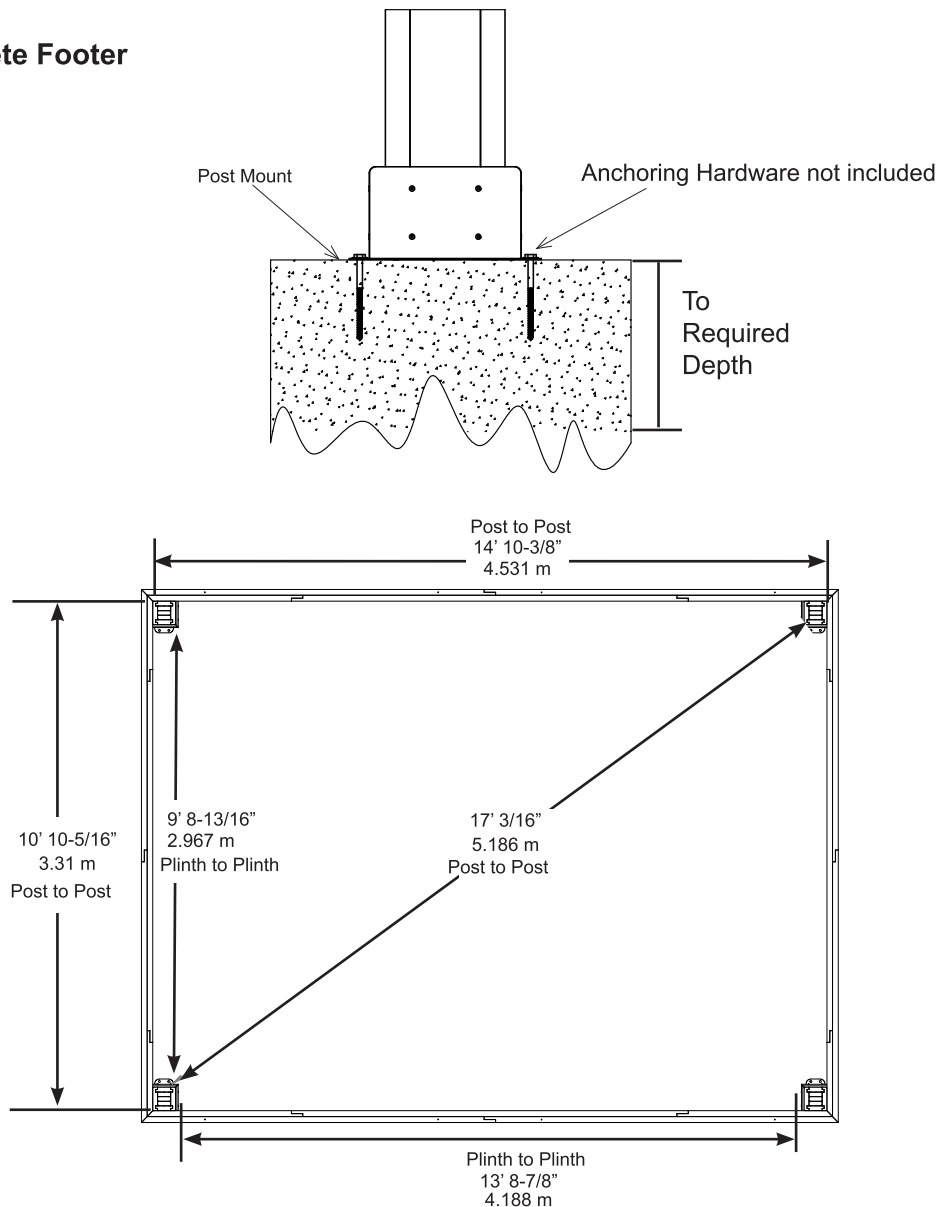
- The hardware to attach the Post Mount to the structure is included.
- The hardware to mount the structure permanently will need to be purchased separately at your local hardware store.

If you are mounting to concrete footers see below for the correct locations and placement. Please double check for possibility of any underground utilities such as gas, telephone, cable or sprinkler lines.

Following are some examples of how to mount the structure to wood or concrete surfaces.

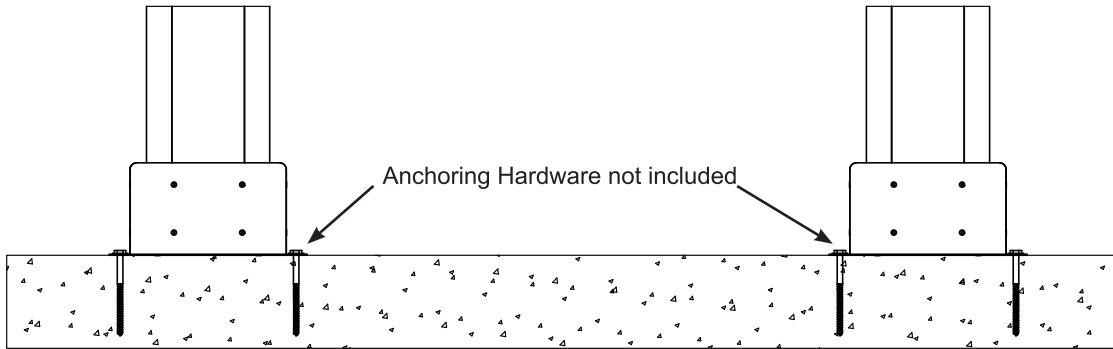
Refer to your local building and city codes, ordinances, neighbourhood covenants, or height restrictions regarding this type of structure for guidance on acceptable installation requirements.

Concrete Footer

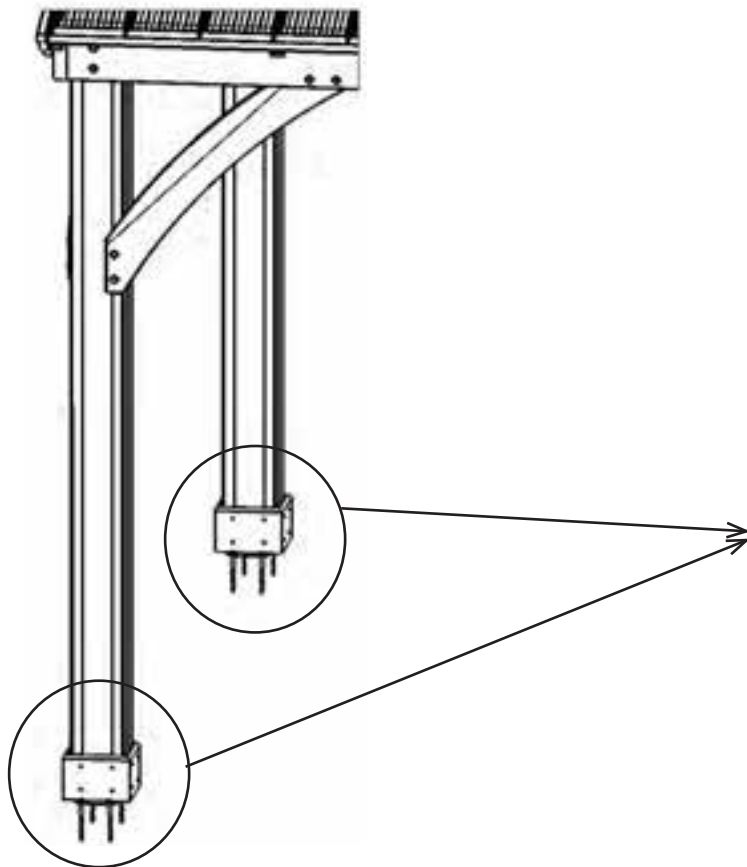


Permanent Installation Examples cont.

Concrete Patio [min. 11' 10-3/8" x 15' 10-3/8" (3.616 m x 4.836 m)] with 6" (15.24 cm) clearance on all sides



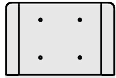
Wood Deck [min. 11' 10-3/8" x 15' 10-3/8" (3.616 m x 4.836 m)] with 6" (15.24 cm) clearance on all sides



Part Identification (Dimensions are approximate and are shown to assist in the identification of parts for assembly. Actual dimensions may be smaller or larger.)

16pc. (422) Plinth 190.5mm (7-1/2")

Y50131-422



2pc. (1012) Straight Gusset Right 1153mm (45-3/8")



Y50131-1012

2pc. (1011) Straight Gusset Left 1153mm (45-3/8")



Y50131-1011

2pc. (1017) Short Gusset RT 1096.3mm (43-3/16")



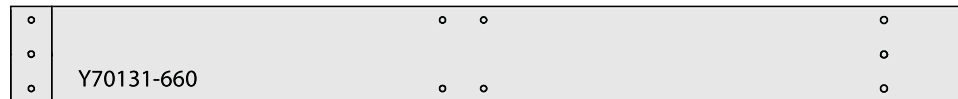
Y50131-1017

2pc. (1016) - Short Gusset LT 1096.3mm (43-3/16")



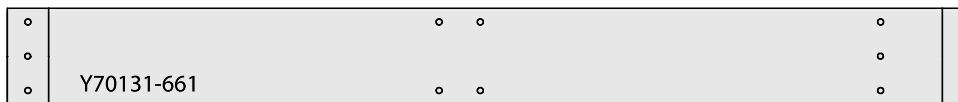
Y50131-1016

2pc. (660) Left Beam Short 1769.7mm (69-5/8")



Y70131-660

2pc. (661) Right Beam Short 1769.7mm (69-5/8")



Y70131-661

4pc. (665) End Short Beam 558.6mm (22")



Y70131-665

2pc. (664) Centre Beam Short 2422.1mm (95-3/8")



Y70131-664

2pc. (650) Outer End Left 2379.7mm (93-11/16")



Y70131-650

2pc. (649) Outer End Right 2379.7mm (93-11/16")



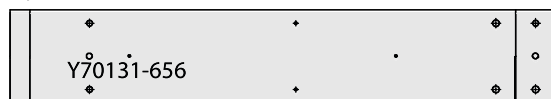
Y70131-649

2pc. (653) Inside Long Beam 2667mm (105")



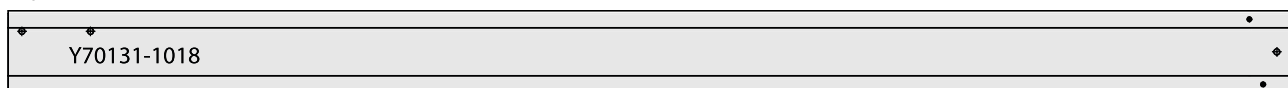
Y70131-653

4pc. (656) Inside Beam 1046.2mm (41-3/16")



Y70131-656

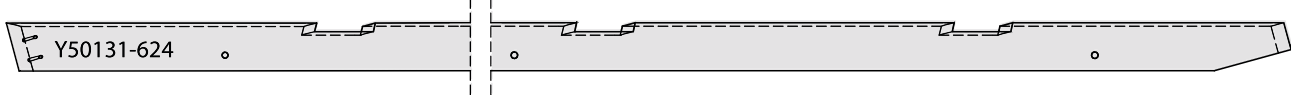
4pc. (1018) - M-Post 2387.6mm (94")



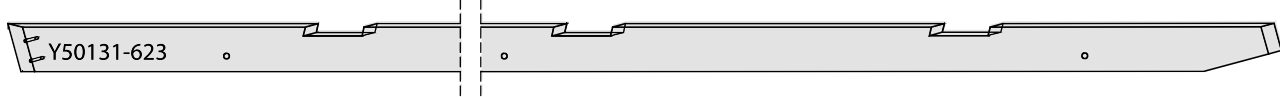
Y70131-1018

Part Identification (Dimensions are approximate and are shown to assist in the identification of parts for assembly. Actual dimensions may be smaller or larger.)

4pc. (624) Rafter Corner Left 2597.8mm (102 1/4")



4pc. (623) Rafter Corner Right 2597.8mm (102 1/4")



2pc. (627) Fascia Left Short 1855.5mm (73-1/16")



2pc. (628) Fascia Right Short 1855.5mm (73-1/16")



4pc. (629) Rafter Short RT 805.5mm (31-3/4")



4pc. (630) Rafter Short LT 805.5mm (31-3/4")



4pc. (631) Rafter Centre LT 1338.9mm (52-3/4")



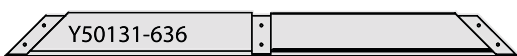
4pc. (632) Rafter Centre RT 1338.9mm (52-3/4")



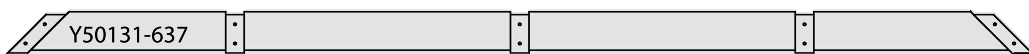
6pc. (634) Rafter 1907mm (75-1/16")



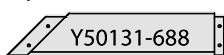
2pc. (636) Top Strap 953.8mm (37-35/64")



2pc. (637) Mid Strap 1908.3mm (75-1/8")



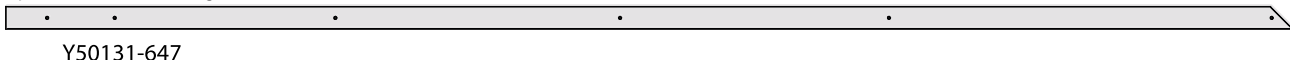
2pc. (688) Bottom Strap RT 406.3mm (16")



2pc. (687) Bottom Strap LT 2457mm (96-3/4")



4pc. (647) Soffit Long 2383mm (93-13/16")



Y50131-647

4pc. (648) Soffit 1774.5mm (69-7/8")



Y50131-648

Part Identification (Dimensions are approximate and are shown to assist in the identification of parts for) assembly. Actual dimensions may be smaller or larger.

2pc. (639) Fascia Block 368mm (14½")



2pc. (626) Fascia RT Long 2465.5mm (97-1/16")



2pc. (625) Fascia LT Long 2465.5mm (97-1/16")



2pc. (640) Strap Top Lg 2179mm (85-13/16")



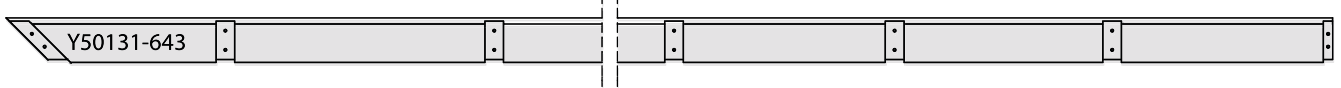
2pc. (642) Strap Mid RT 2175.8mm (85-5/8")



2pc. (641) Strap Mid LT 955.9mm (37-5/8")



2pc. (643) Strap Bot LT 2651.4mm (104-3/8")



2pc. (644) Strap Bot RT 1431.5mm (56-3/8")



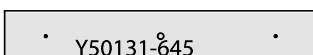
2pc. (635) Long Roof Top 1188.2mm (46-3/4")



4pc. (633) Centre Rafter 1873.6mm (73-3/4")



2pc. (645) Spacer 578.2mm (22-3/4")



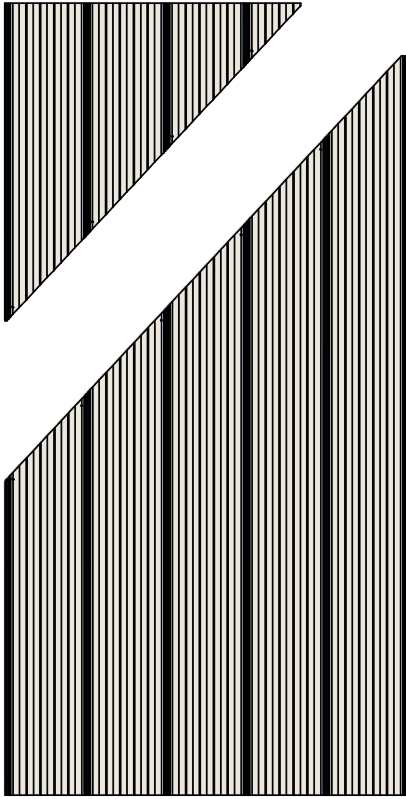
4pc. (646) Tie 2590.8mm (102")



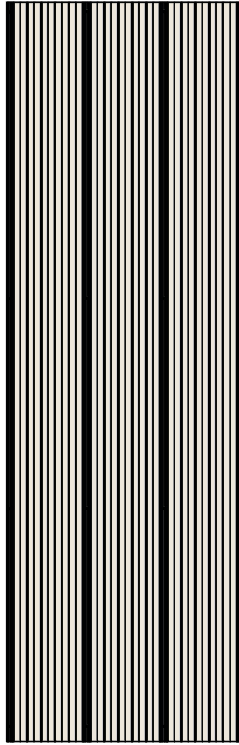
Hardware Identification

(Dimensions are approximate and are shown to assist in the identification of parts for assembly. Actual dimensions may be smaller or larger.)

4pc. - Short Panel Left
(Y01033-200)



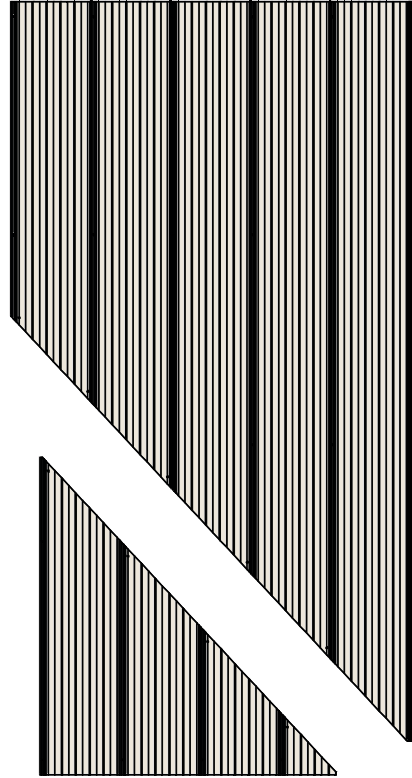
4pc. - Long Panel Left
(Y01033-198)



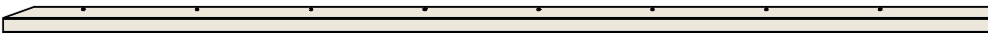
4pc. - Middle Panel
(Y01033-196)

1pc. - Roof Panel Set
(Y70833-195)

4pc. - Long Panel Right
(Y01033-197)



4pc. - Short Panel Right
(Y01033-199)



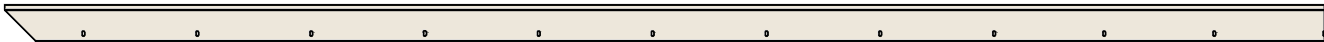
2pc. Roof Edge Left 72.2 - (Y01033-134)



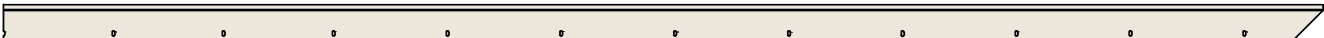
2pc. Roof Edge Right 72.2 - (Y01033-135)



8pc. Ridge Clip 102.5 - (Y01033-133)



2pc. Roof Edge Right 96.2 - (Y01033-136)



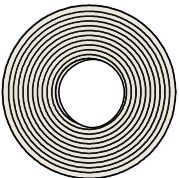
2pc. Roof Edge Left 96.2 - (Y01033-201)



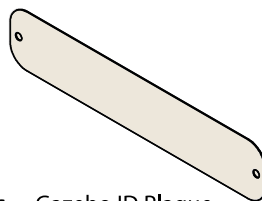
4pc. Ridge Cap Long 81.5 - (Y01033-131)



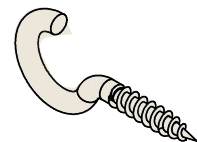
4pc. Ridge Cap Short 25.2 (Y01033-132)



1pc. - Weather Seal
Ridge Clip (8Pk)
(Y70818-074)



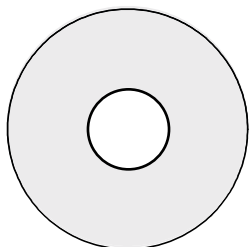
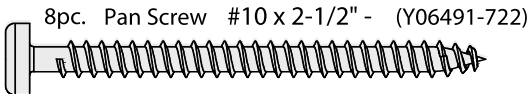
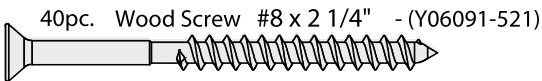
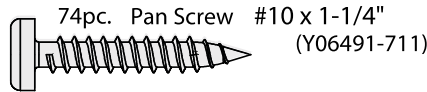
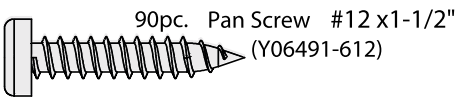
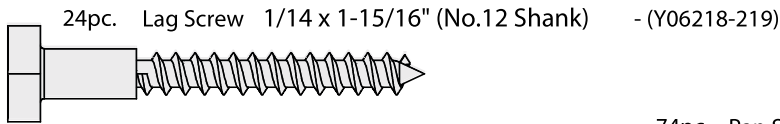
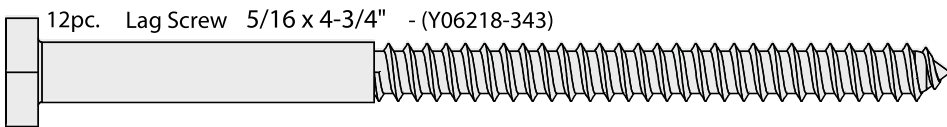
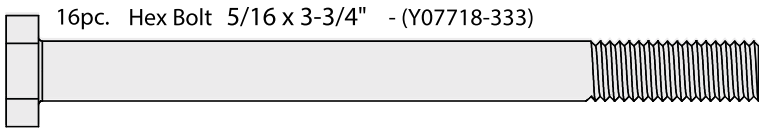
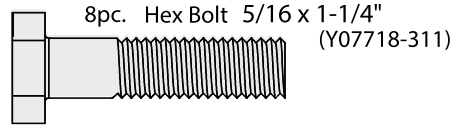
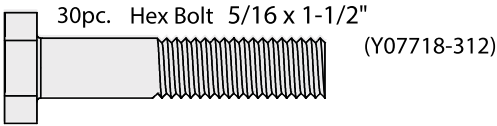
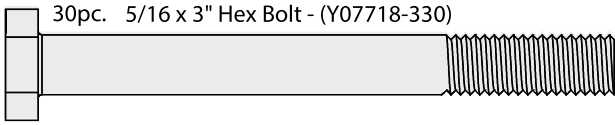
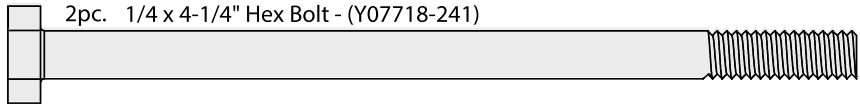
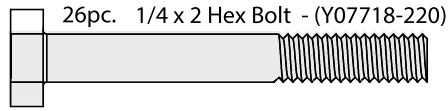
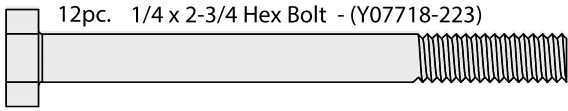
1pc. - Gazebo ID Plaque
(Y70800-104)



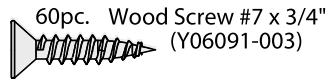
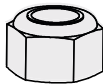
2pc. - 50mm Hook
(Y00418-050)

Hardware Identification

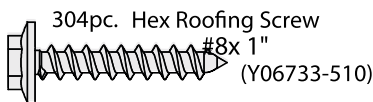
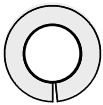
(Dimensions are approximate and are shown to assist in the identification of parts for assembly. Actual dimensions may be smaller or larger.)



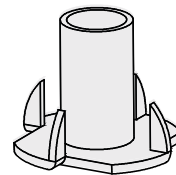
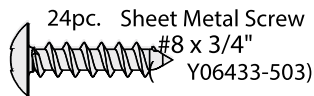
40pc. - 1/4" Lock Nut (Y08318-203)



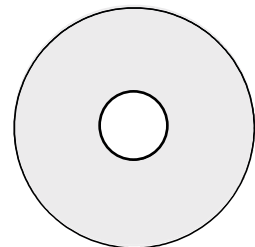
12pc. - 3/8" Lock Nut (Y08318-803)



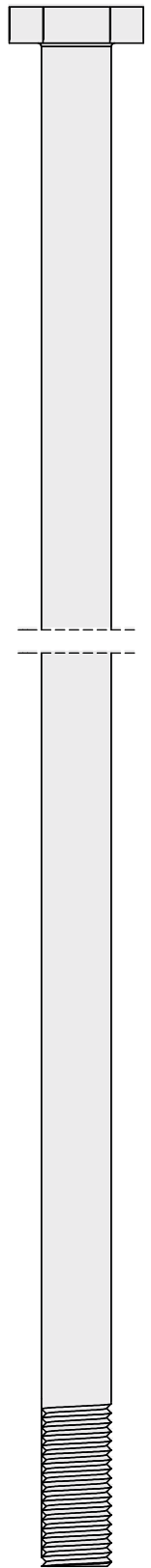
84pc. 5/16" Lock Washer (Y05318-300)



84pc. 5/16 - T-Nut (Y08518-300)



200pc. 1/4-5/16 x 1-1/4 Large Washer (Y05118-311)



12pc. Hex Bolt 3/8 x 9-1/2 (Y07718-892)

Hardware Identification

(Dimensions are approximate and are shown to assist in the identification of parts for assembly. Actual dimensions may be smaller or larger.)

4pc. Roof Peak Bracket (Y00429-125)

1pc. - Roof Peak Set (Y70829-215)

3pc. Peak Post (Y01000-094)

3pc. Spring Clip (Y09490-001)

3pc. 1/4" Nut (Y08490-200)

3pc. Loop (Y20018-003)

3pc. Contour Washer (Y05918-211)

3pc. Carriage Bolt (Y07428-260)

1pc. Peak Bracket (Y00429-190)

1pc. - Peak Cap Assembly (Y70833-249)

1pc. Post Mount (8Pk) (Y70819-109)

1pc. - (2 Pack) 45° Twist Bracket LT (Y70829-191)

1pc. - (2 Pack) 45° Twist Bracket RT (Y70829-192)

1pc. - 1/8" Drill Bit (Y00400-002)

1pc. Tie Wrap Bracket (8Pk) (Y70819-106)

1pc. - Roof To Beam Bracket Set (10Pk) (Y70819-218)

2pc. - Roof To Beam Bracket Set (8Pk) (Y70819-108)

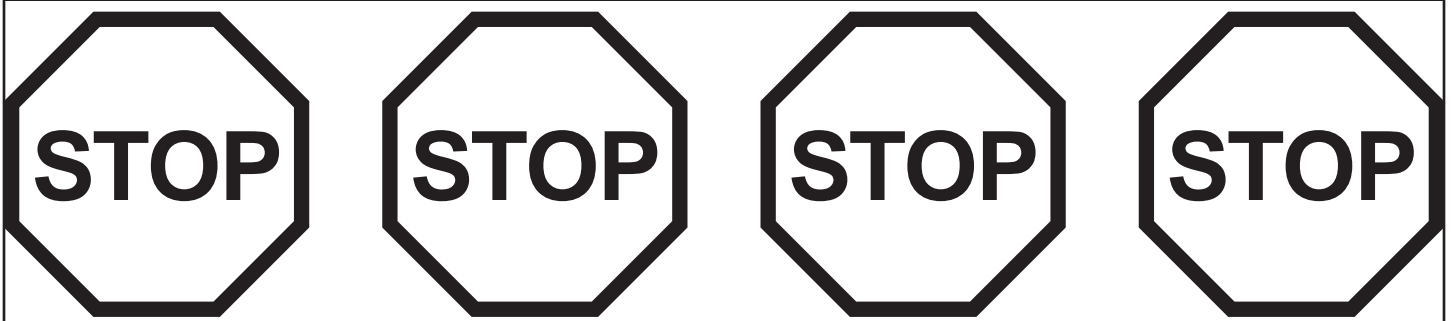
1pc. #2 x 2" Robertson Driver (Y00400-005)

1pc. - Hex Driver (Y00400-004)

1pc. - Corner Cap Set (4Pk) (Y70833-103)

2pc. Long Beam Insert - (Y00429-194)

Step 1: Inventory Parts - Read This Before Starting Assembly



- A.** This is the time for you to inventory all your hardware, wood and accessories, referencing the parts identification sheets. This will assist you with your assembly.
- Each step indicates which bolts and/or screws you will need for assembly, as well as any flat washers, lock washers, t-nuts or lock nuts.
- B.** If there are any missing or damaged pieces or you need assistance with assembly please contact the consumer relations department directly. Call us before going back to the store.

1-888-509-4382
support@yardistrystructures.com

- C.** Read the assembly manual completely, paying special attention to ANSI warnings; notes; and safety/maintenance information on pages 1 - 4.
- Follow the instructions in order.
 - This structure is designed to be assembled and installed ideally by four people, DO NOT attempt to install alone.
 - Consider the slope of elevation where you plan to install the structure. Also, check for gas, telephone, other utilities or sprinkler line locations prior to excavating any holes.
- D.** Before you discard your cartons fill out the form below.
- The carton I.D. stamp is located on the end of each carton.
 - Please retain this information for future reference. You will need this information if you contact the Consumer Relations Department.

PRODUCT NUMBER: **YM11915**

CARTON I.D. STAMP: __ __ __ __ __ (Box 1)

CARTON I.D. STAMP: __ __ __ __ __ (Box 2)

CARTON I.D. STAMP: __ __ __ __ __ (Box 3)

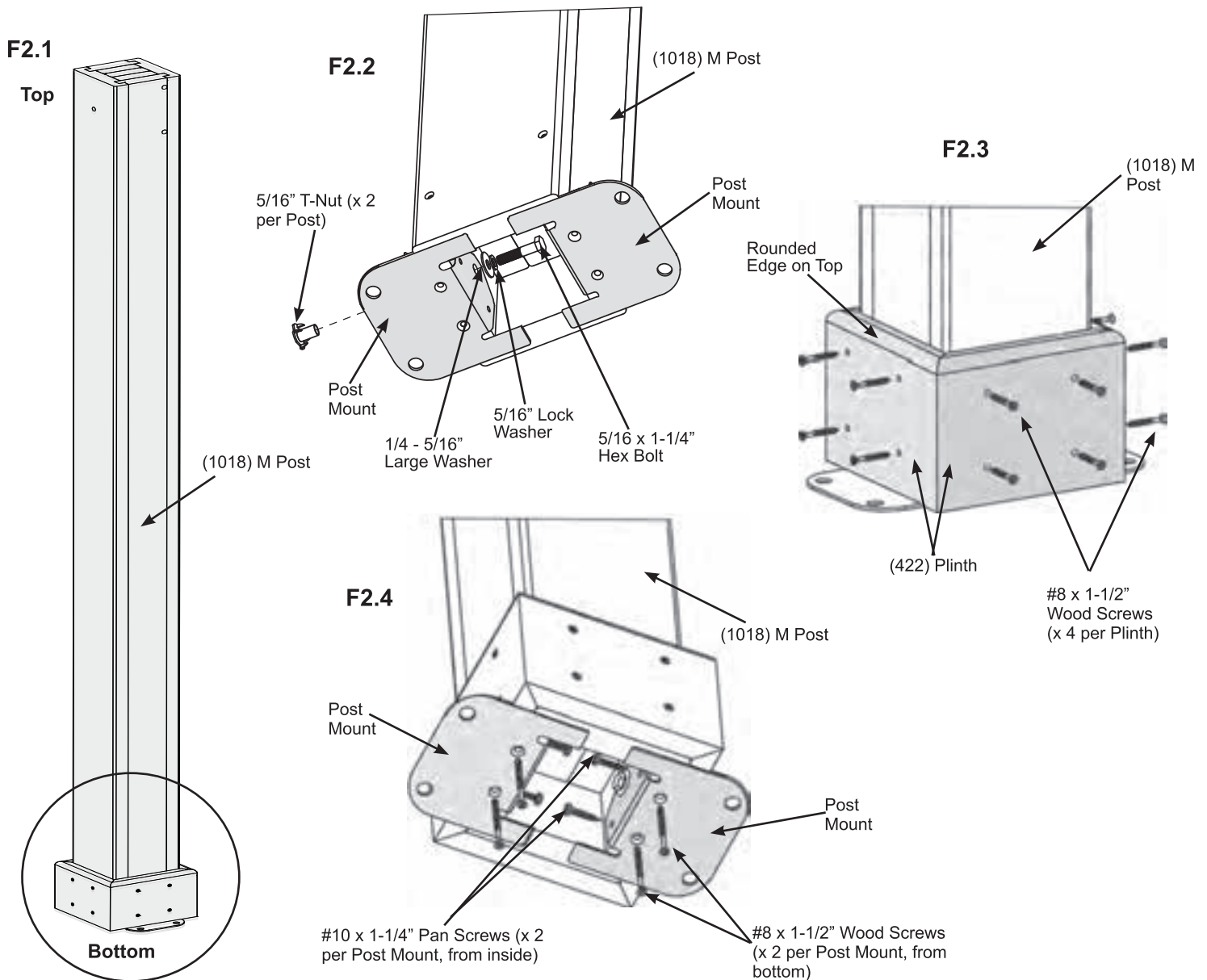
Step 2: Post Assemblies

A: At the bottom of four (1018) M Posts insert two 5/16" T-Nuts as shown in F2.1 and F2.2.

B: At the bottom of each (1018) M Post place two Post Mounts tight to the bottom and inside faces as shown in F2.1 and F2.2. Loosely attach with one 5/16 x 1-1/4" Hex Bolt (with 5/16" lock washer and 1/4-5/16" large washer) per mount so they connect to the T-Nuts.

C: On each side of the Posts, place one (422) Plinth flush to the bottom and attach with four #8 x 1-1/2" Wood Screws per plinth. Rounded edges on top. (F2.1 and F2.3)

D: From the bottom of each Post Mount attach to posts with two #8 x 1-1/2" Wood Screws per mount and then from the inside with two #10 x 1-1/4" Pan Screws per mount. These screws are installed at a slight angle. Tighten all bolts. There will be four M Post Assemblies. (F2.4)



Wood Parts

4 x (1018) M Post
16 x (422) Plinth

Hardware

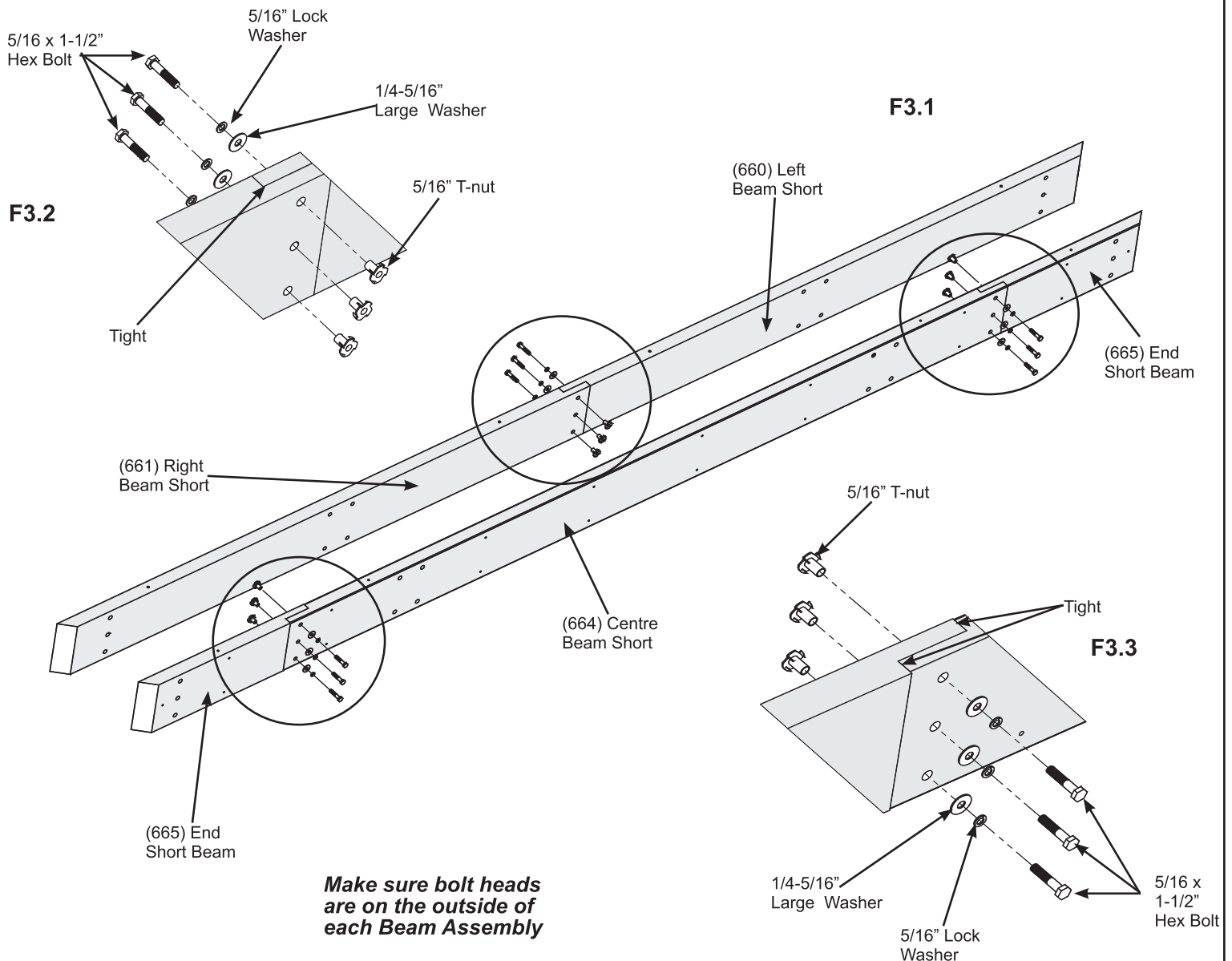
16 x #10 x 1-1/4" Pan Screw
80 x #8 x 1-1/2" Wood Screw
8 x Post Mount
8 x 5/16" T-Nut
8 x 5/16 x 1-1/4" Hex Bolt (with 5/16" lock washer, 1/4-5/16" large washer)

Step 3: Short Beam Assembly Part 1

A: Connect one (660) Left Beam Short and one (661) Right Beam Short using three 5/16 x 1-1/2" Hex Bolts (with 5/16" lock washer, 1/4-5/16" large washer and 5/16" t-nut) as shown in F3.1 and F3.2. Notice orientation of bolt heads.

B: Connect one (665) End Short Beam to each end of one (664) Centre Beam Short using three 5/16 x 1-1/2" Hex Bolts (with 5/16" lock washer, 1/4-5/16" large washer and 5/16" t-nut) per end as shown in F3.1 and F3.3. Notice orientation of bolt heads.

C: Repeat Steps A and B one more time to make two Short Beam L-R Assemblies and two End Short Beam Assemblies.



Wood Parts

- 2 x (664) Centre Beam Short
- 4 x (665) End Short Beam
- 2 x (660) Left Beam Short
- 2 x (661) Right Beam Short

Hardware

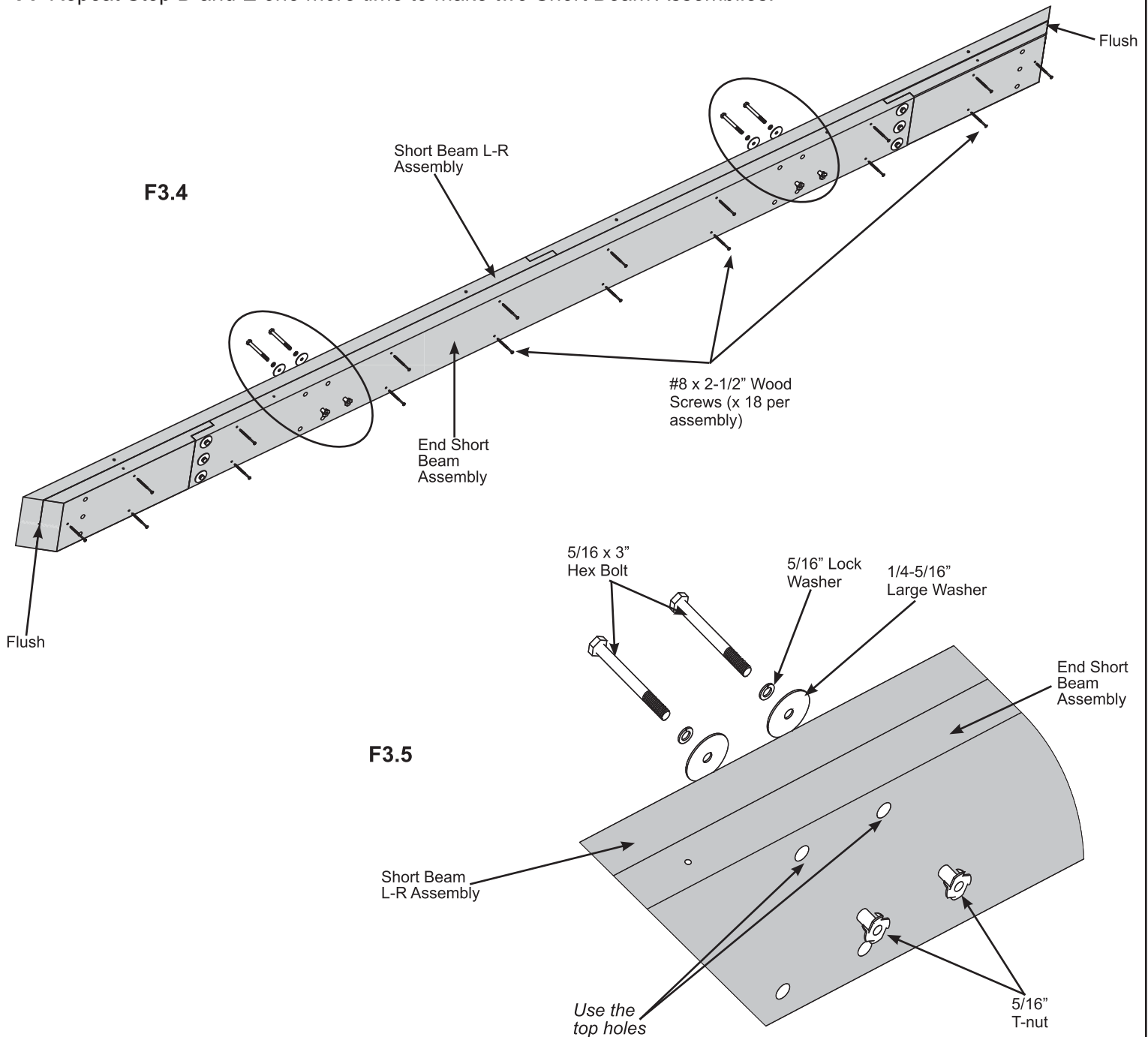
- 18 x 5/16 x 1-1/2" Hex Bolt
(5/16" lock washer, 1/4-5/16" large washer, 5/16" t-nut)

Step 3: Short Beam Assembly Part 2

D: Place one Short Beam L-R Assembly and one End Short Beam Assembly together so the beam assembly ends are flush and the angled ends match. Bolt heads must be on the outside of both beam assemblies. Match the bolt holes in each assembly then loosely attach with four 5/16 x 3" Hex Bolts (with 5/16" lock washer, 1/4-5/16" large washer and 5/16" t-nut) in the top holes. (F3.4 and F3.5)

E: Secure assemblies with 18 #8 x 2-1/2" Wood Screws then tighten bolts. (F3.4)

F: Repeat Step D and E one more time to make two Short Beam Assemblies.



Hardware

36 x #8 x 2-1/2" Wood Screw

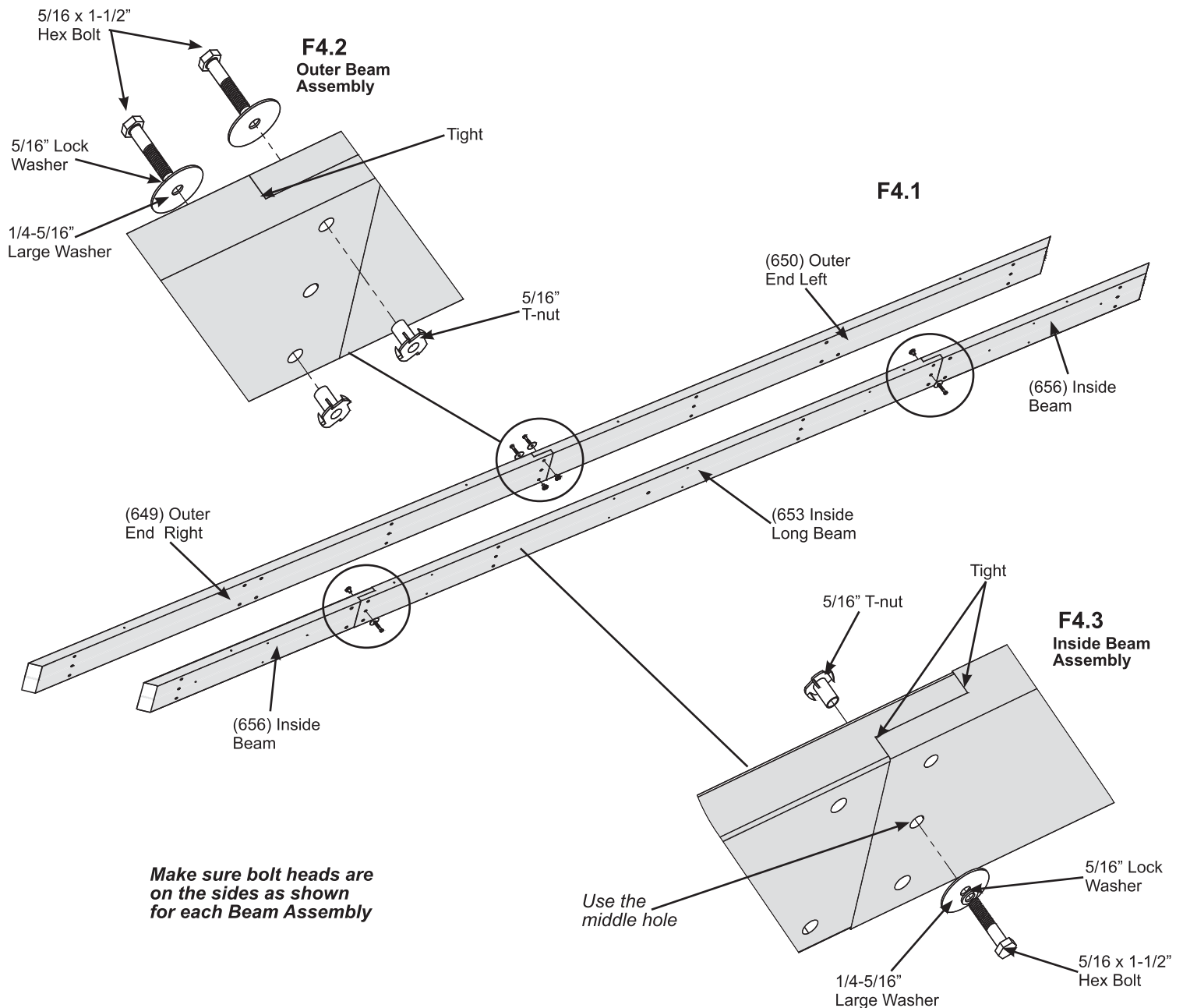
8 x 5/16 x 3" Hex Bolt
(5/16" lock washer, 1/4-5/16" large washer, 5/16" t-nut)

Step 4: Long Beam Assembly Part 1

A: Connect one (649) Outer End Right and one (650) Outer End Left using two 5/16 x 1-1/2" Hex Bolts (with 5/16" lock washer, 1/4-5/16" large washer and 5/16" t-nut) as shown in F4.1 and F4.2. Notice orientation of bolt heads.

B: Connect one (656) Inside Beam to each end of one (653) Inside Long Beam using two 5/16 x 1-1/2" Hex Bolts (with 5/16" lock washer, 1/4-5/16" large washer and 5/16" t-nut), in the middle holes, as shown in F4.1 and F4.3. Notice orientation of bolt heads.

C: Repeat Steps A and B to make two Outer Beam Assemblies and two Inside Beam Assemblies.



Wood Parts

- 2 x (649) Outer End Right
- 2 x (650) Outer End Left
- 2 x (653) Inside Long Beam
- 4 x (656) Inside Beam

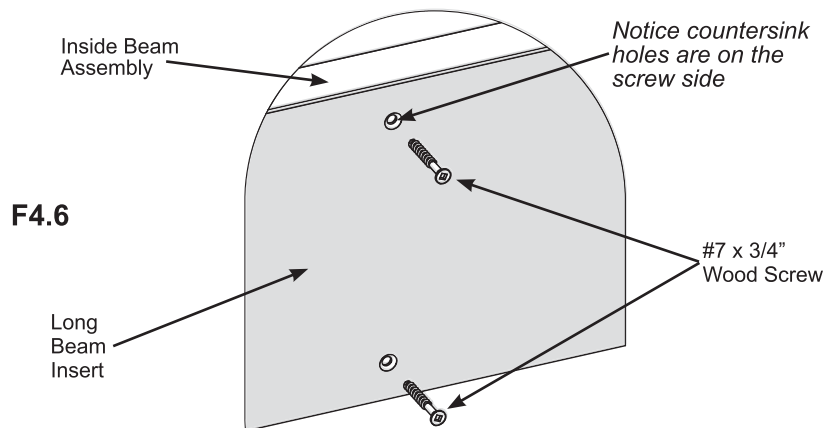
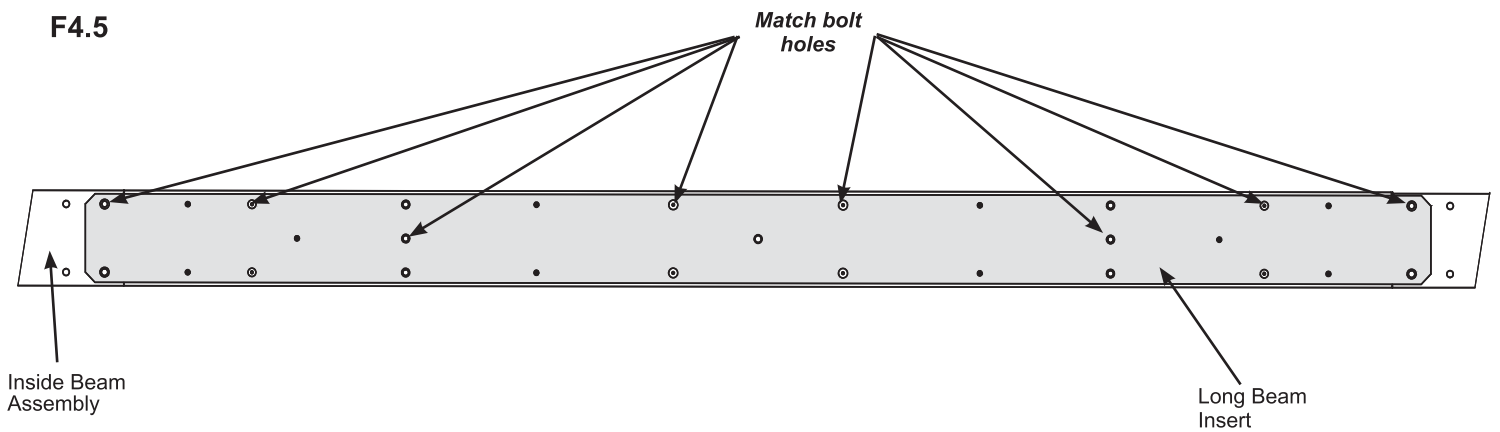
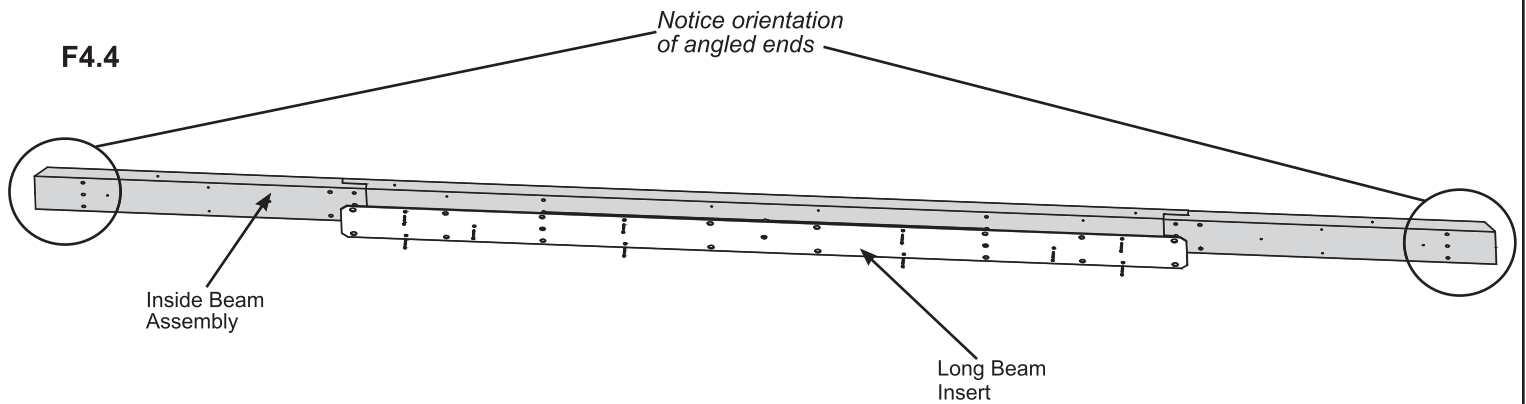
Hardware

- 8 x 5/16 x 1-1/2" Hex Bolt
(5/16" lock washer, 1/4-5/16" large washer, 5/16" t-nut)

Step 4: Long Beam Assembly Part 2

D: Place one Long Beam Insert centred on the inside of one Inside Beam Assembly (t-nut side). Match the bolt holes in the Inside Beam Assembly and Long Beam Insert then attach with ten #7 x 3/4" Wood Screws. (F4.4, F4.5 and F4.6)

E: Repeat Step D for the second Inside Beam Assembly.



Components:
2 x Long Beam Insert

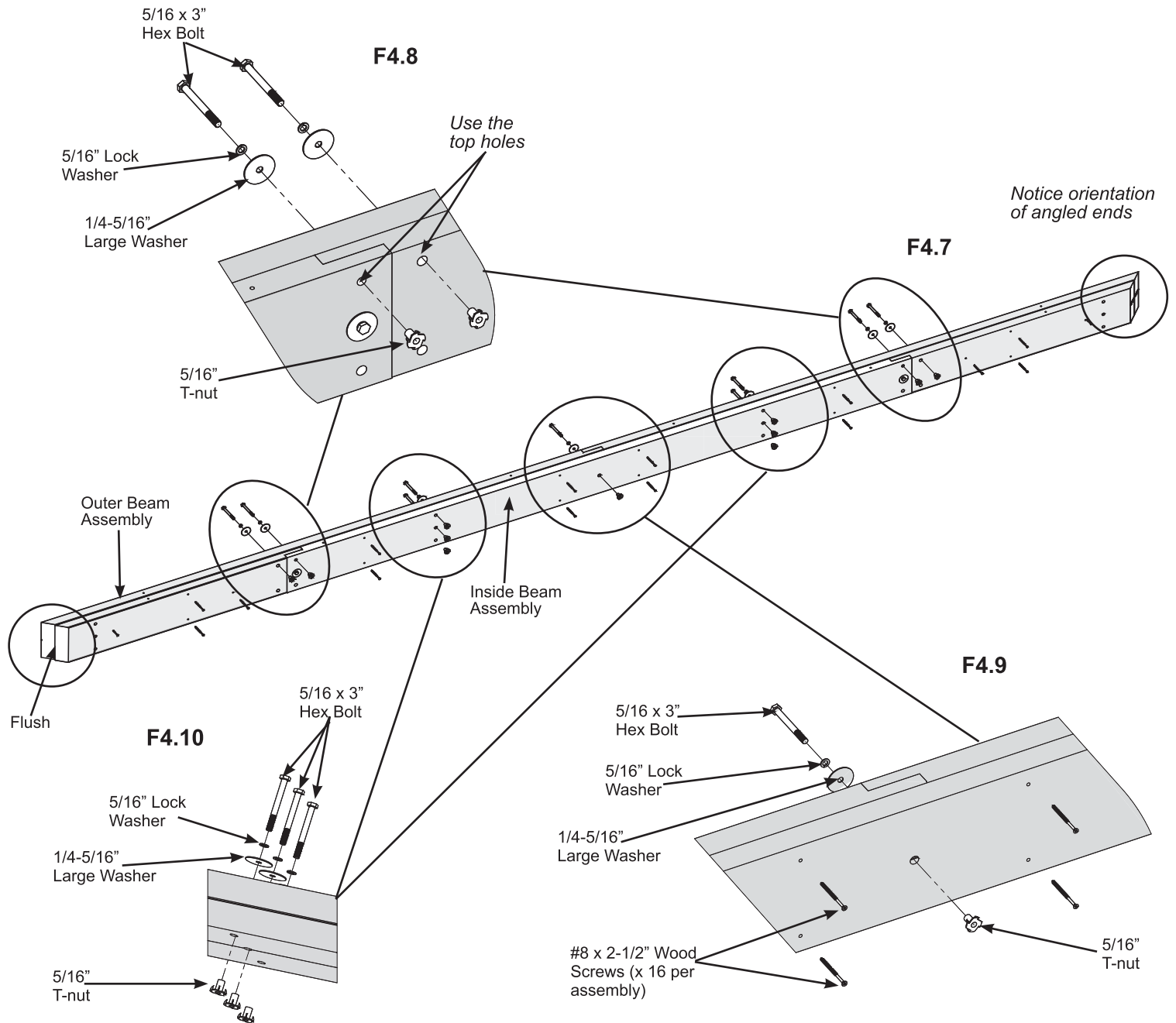
Hardware
20 x #7 x 3/4" Wood Screw

Step 4: Long Beam Assembly Part 3

F: Place one Outer Beam Assembly and one Inside Beam Assembly together so the beam assembly ends are flush and the angled ends match. Bolt heads must be on the outside of both beam assemblies. Match the bolt holes in each assembly then loosely attach with eleven 5/16 x 3" Hex Bolts (with 5/16" lock washer, 1/4-5/16" large washer and 5/16" t-nut). The bolts at each end must go in the top holes. (F4.7, F4.8, F4.9 and F4.10)

G: Secure assemblies with 16 #8 x 2-1/2" Wood Screws then tighten bolts. (F4.7 and F4.9)

H: Repeat Step F and G to make a second Long Beam Assembly.



Hardware

32 x #8 x 2-1/2" Wood Screw

22 x 5/16 x 3" Hex Bolt

(5/16" lock washer, 1/4-5/16" large washer, 5/16" t-nut)

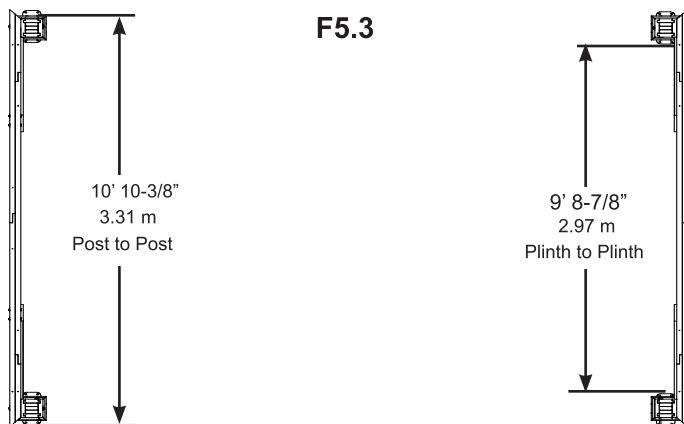
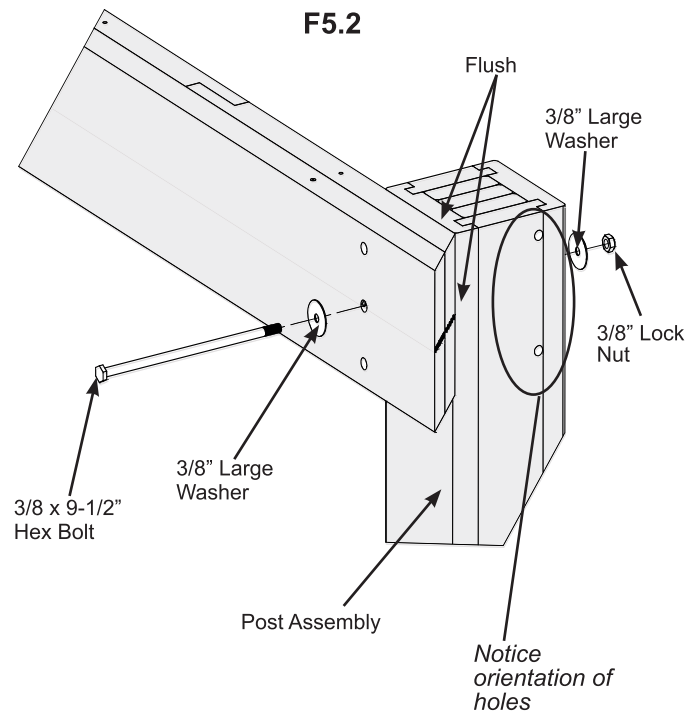
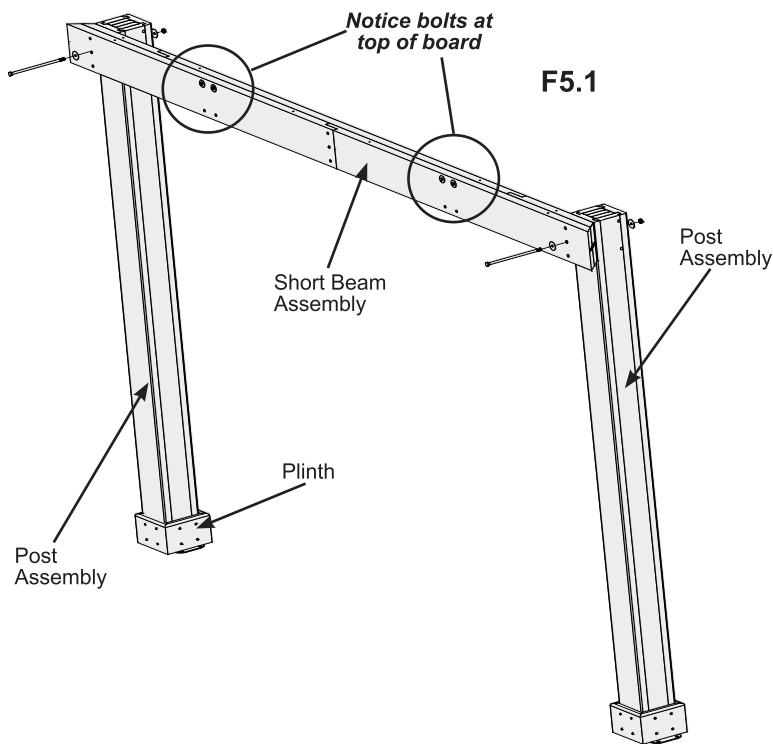
Step 5: Frame Assembly and Anchoring Part 1



A: On a hard, flat surface place one Short Beam Assembly against the outside of two Post Assemblies, on the short side, flush to the tops and outside corners. Attach Beam to Post, through the middle hole, with one 3/8 x 9-1/2" Hex Bolt (with two 3/8" large washers and one 3/8" lock nut) per Post. (F5.1 and F5.2)

The distance from the outside of one Post Assembly to the outside of the second Post Assembly should be 10' 10-3/8". See F5.3 for accurate positioning of Posts.

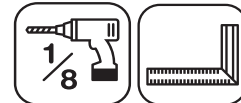
B: Repeat Step A for second Short Beam Assembly. These will now be referred to as Short Side Assemblies.



Hardware

4 x 3/8 x 9-1/2" Hex Bolt (3/8" large washer x 2, 3/8" lock nut)

Step 5: Frame Assembly and Anchoring Part 2

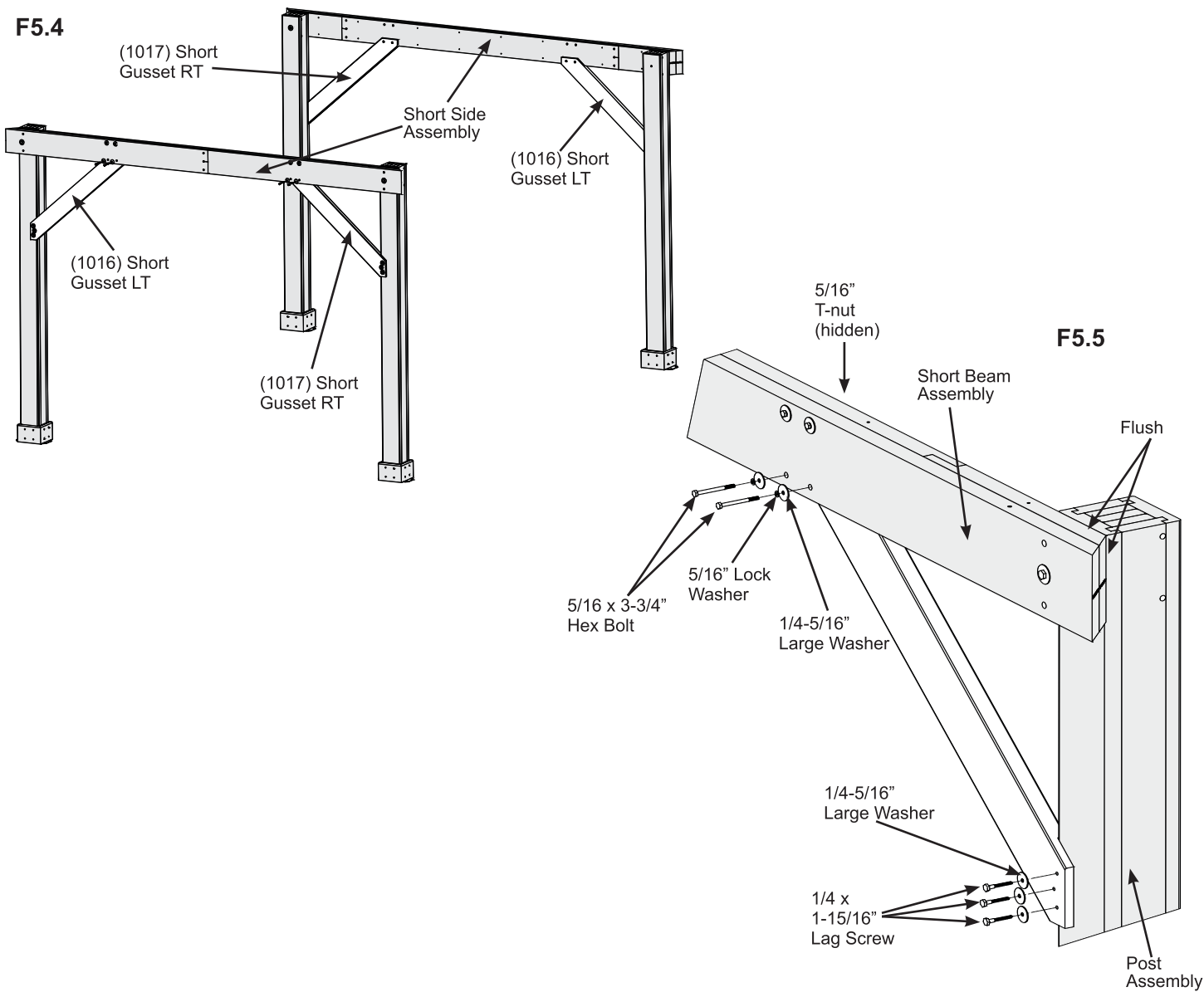


Note: The bevelled ends on each gusset should always face away from the wood it is attaching to.

C: Make sure each Short Side Assembly is square, top of Beam Assembly is flush to the top of the Post Assembly and angle of Beam Assembly is flush to the side of the Post Assembly, then facing one Short Beam Assembly from the outside place one (1017) Short Gusset RT on the right hand side so the top fits tight to the Short Beam Assembly and the bottom fits tight to the Post Assembly. Attach gusset to Short Beam Assembly with two 5/16 x 3-3/4" Hex Bolts (with 5/16" lock washer, 1/4-5/16" large washer and 5/16" t-nut). Pre-drill with a 1/8" drill bit then attach gusset to Post Assembly with three 1/4 x 1-15/16" Lag Screws (with 1/4-5/16" large washer). (F5.4 and F5.5)

D: Repeat Step C on the left hand side with one (1016) Short Gusset LT. (F5.4 and F5.5)

E: Repeat Steps C and D for second Short Side Assembly.



Wood Parts

- 2 x (1016) Short Gusset LT
- 2 x (1017) Short Gusset RT

Hardware

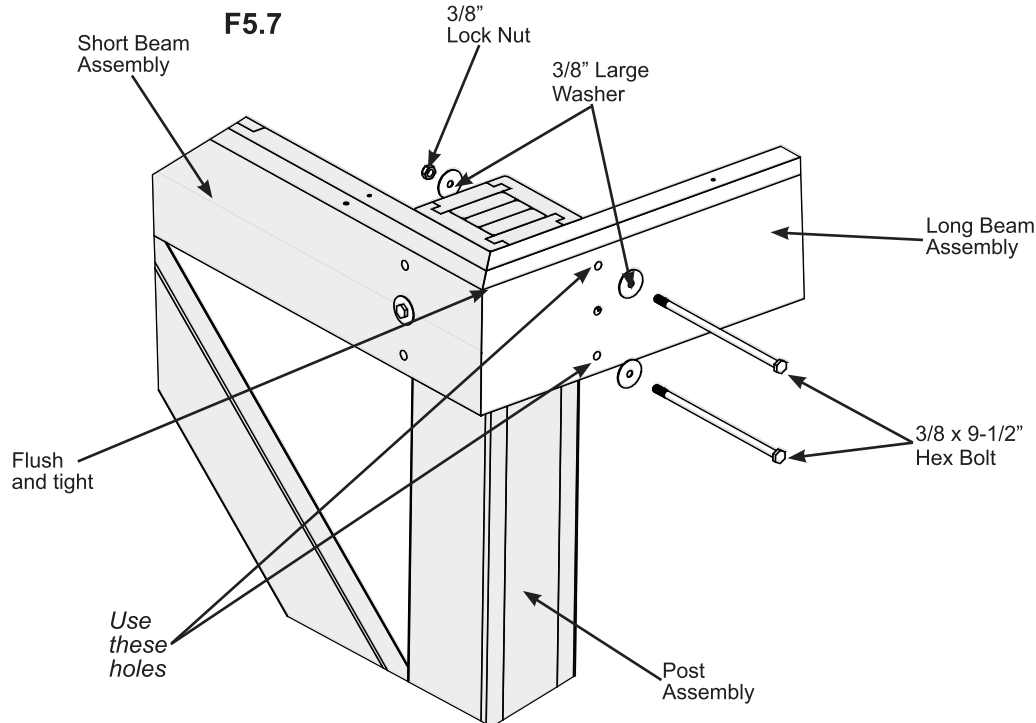
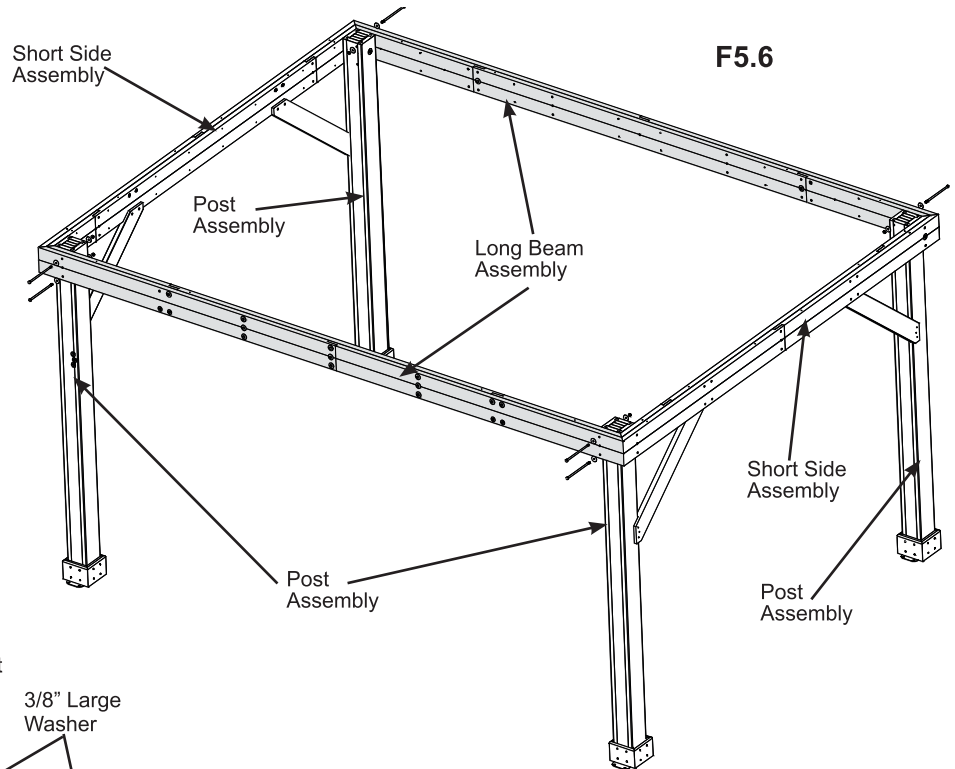
- 12 x 1/4 x 1-15/16" Lag Screw (1/4-5/16" large washer)
- 8 x 5/16 x 3-3/4" Hex Bolt (5/16" lock washer, 1/4-5/16" large washer, 5/16" t-nut)

Step 5: Frame Assembly and Anchoring Part 3



F: Move your Short Side Assemblies to the final location. Make sure the ground is flat and level before continuing assembly.

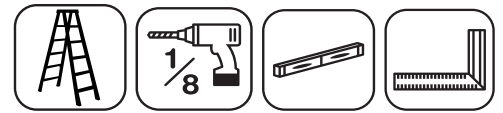
G: With helpers stand up Short Side Assemblies then place one Long Beam Assembly against the outside of two Post Assemblies, flush to the tops and outside corners and tight to Short Beam Assembly. Attach Long Beam Assembly to Post Assembly through the top and bottom holes with two 3/8 x 9-1/2" Hex Bolts (with two 3/8" large washers and one 3/8" lock nut) per Post Assembly. Repeat for the second Long Beam Assembly on the opposite side. (F5.6 and F5.7)



Hardware

8 x 3/8 x 9-1/2" Hex Bolt (3/8" large washer x 2, 3/8" lock nut)

Step 5: Frame Assembly and Anchoring Part 4

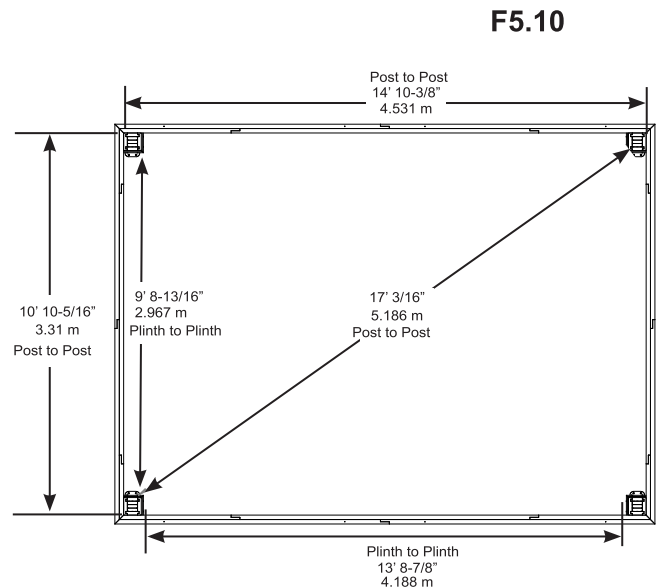
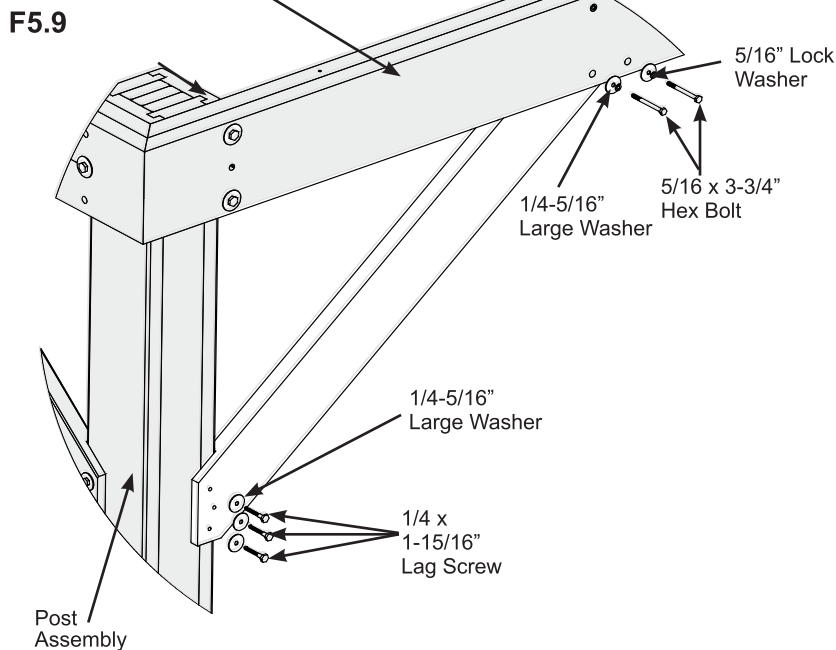
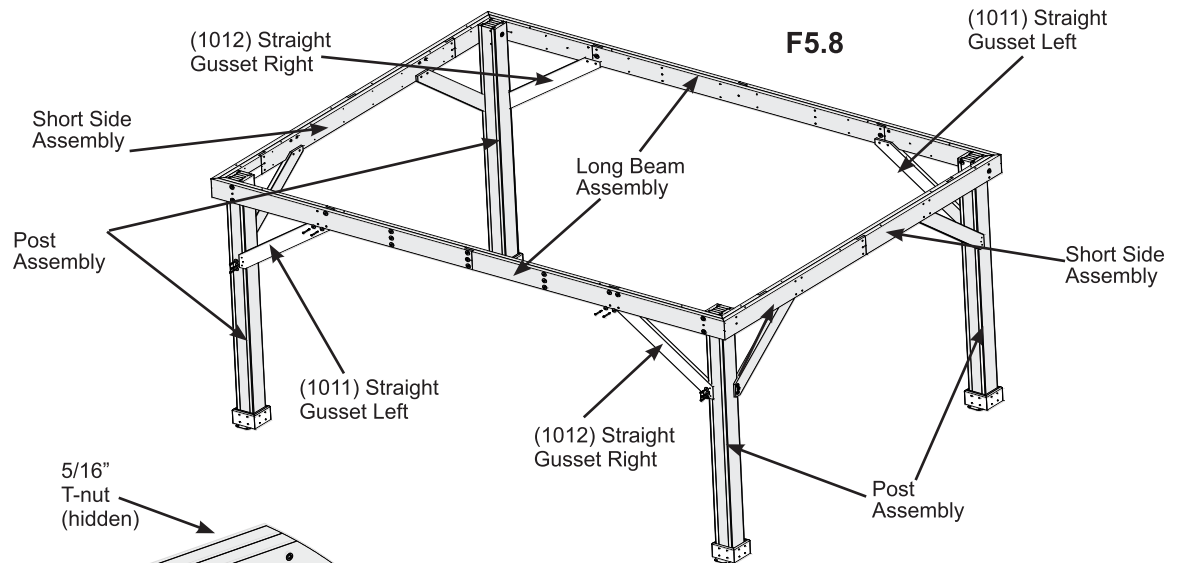


Note: The bevelled ends on each gusset should always face away from the wood it is attaching to.

H: Make sure the Frame Assembly is square and level then facing one Long Beam Assembly from the outside place one (1012) Straight Gusset Right on the right hand side Post Assembly so the top fits tight to the Long Beam Assembly and the bottom fits tight to the Post Assembly. Attach gusset to Long Beam Assembly with two 5/16 x 3-3/4" Hex Bolts (with 5/16" lock washer, 1/4-5/16" large washer and 5/16" t-nut). Pre-drill with a 1/8" drill bit then attach gusset to Post Assembly with three 1/4 x 1-15/16" Lag Screws (with 1/4-5/16" large washer). (F5.8, F5.9 and F5.10)

I: Repeat Step H to install (1011) Straight Gusset Left on the left hand side Post Assembly. (F5.8 and F5.9)

J: Repeat Steps H and I for the second Long Beam Assembly. (F5.8 and F5.9)



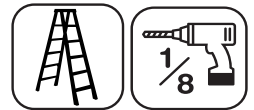
Wood Parts

- 2 x (1012) Straight Gusset Right
- 2 x (1011) Straight Gusset Left

Hardware

- 12 x 1/4 x 1-15/16" Lag Screw (1/4-5/16" large washer)
- 8 x 5/16 x 3-3/4" Hex Bolt (5/16" lock washer, 1/4-5/16" large washer, 5/16" t-nut)

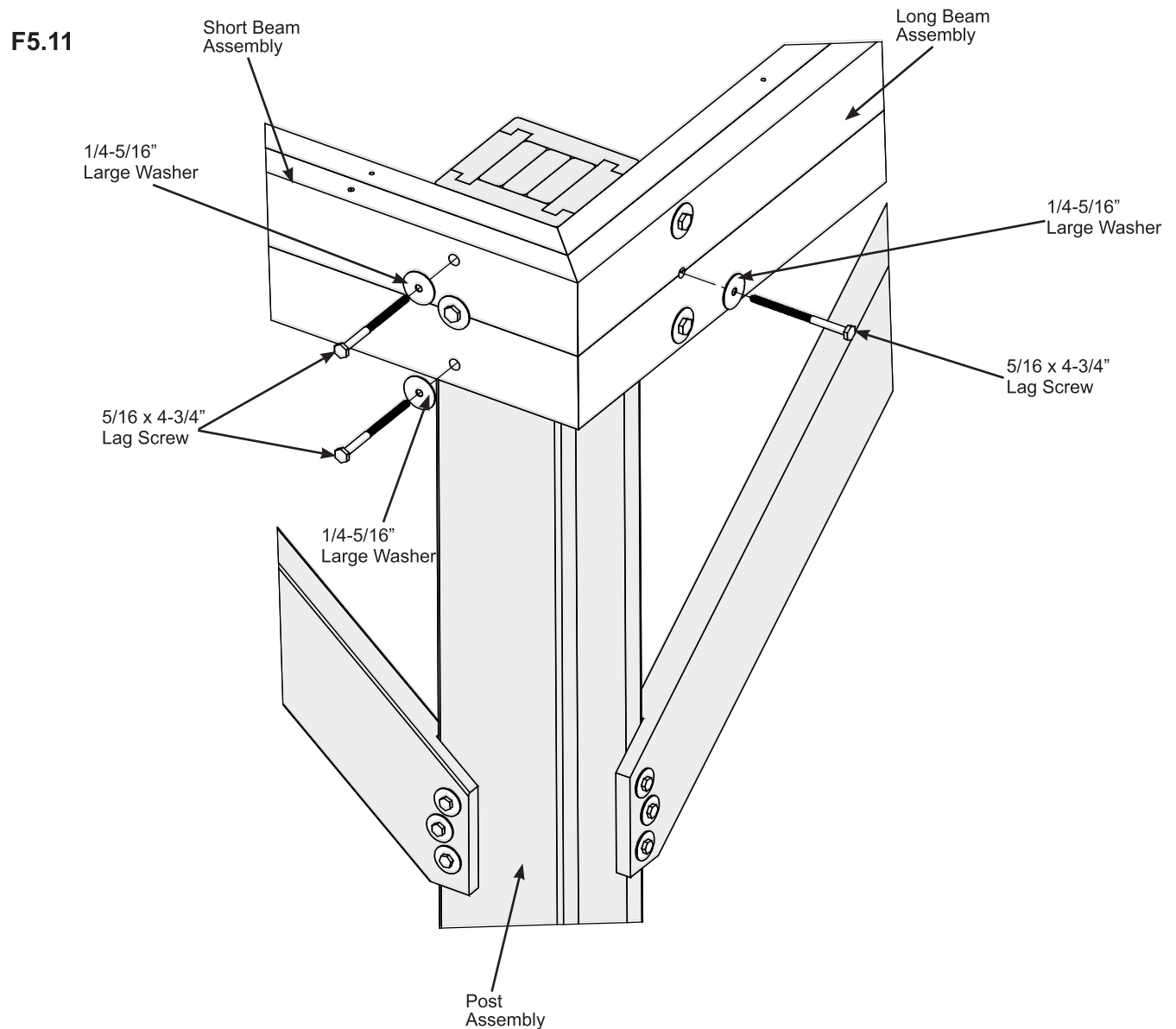
Step 5: Frame Assembly and Anchoring Part 5



K: Pre-drill with a 1/8" drill bit then attach Long Beam Assemblies to Post Assemblies with one 5/16 x 4-3/4" Lag Screw (with 1/4-5/16" large washer) per corner in the middle holes and Short Beam Assemblies to Post Assemblies with two 5/16 x 4-3/4" Lag Screws (with 1/4-5/16" large washer) per corner in the top and bottom holes. (F5.11)

L: Depending on what you are placing the Gazebo on will determine how you anchor it to that surface. Please refer to pages 6 and 7 for installation examples.

Any hardware or extra materials for mounting will have to be purchased in advance.

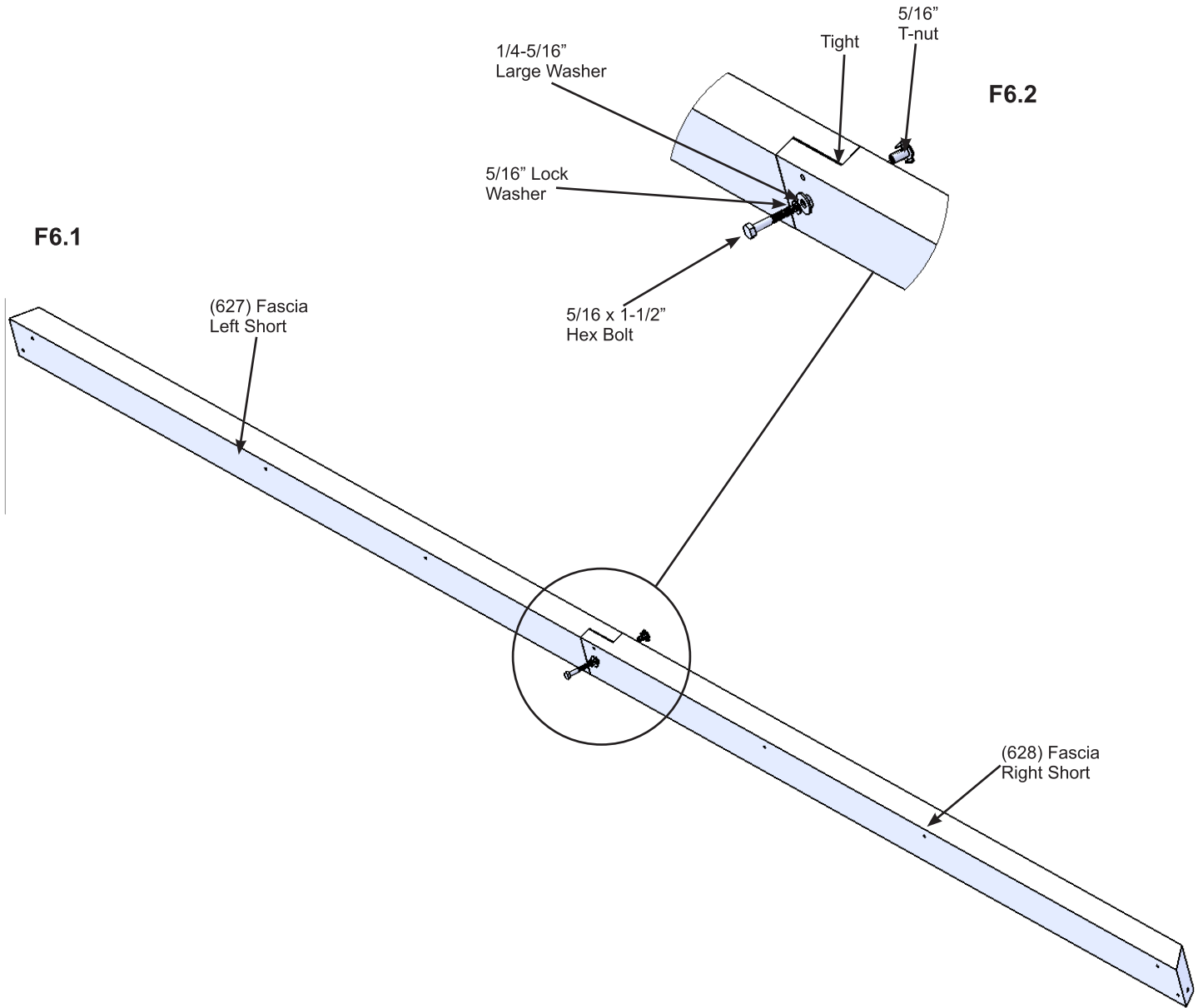


Hardware

12 x 5/16 x 4-3/4" Lag Screw
(1/4-5/16" large washer)

Step 6: Fascia Beam Assembly - Small Roof Assembly

A: Tightly connect one (627) Fascia Left Short and one (628) Fascia Right Short using one 5/16 x 1-1/2" Hex Bolt (with 5/16" lock washer, 1/4-5/16" large washer and 5/16" t-nut) as shown in F6.1 and F6.2. Repeat to make a second Fascia Beam Assembly.



Wood Parts

- 2 x (627) Fascia Left Short
- 2 x (628) Fascia Right Short

Hardware

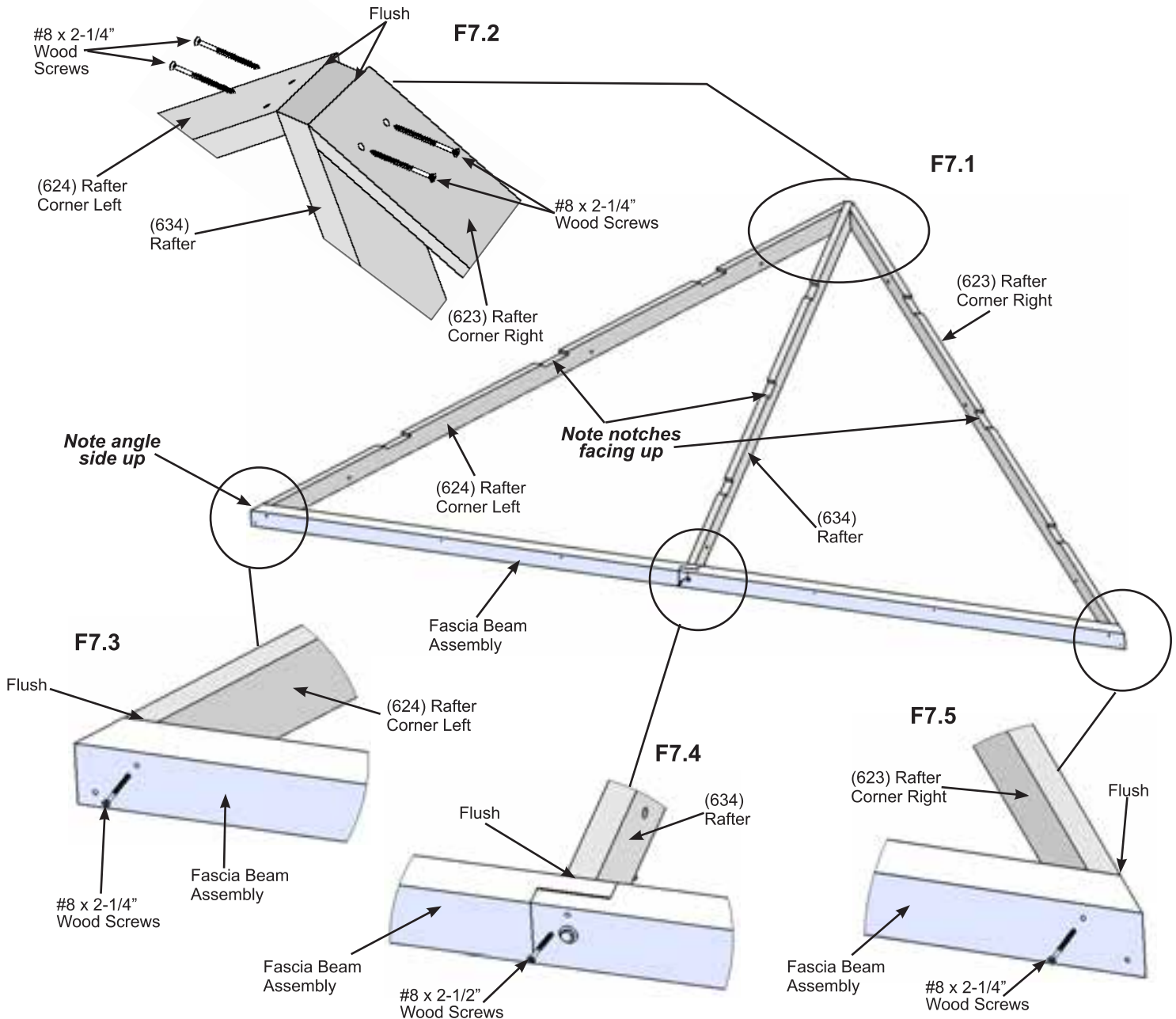
- 2 x 5/16 x 1-1/2" Hex Bolt
(5/16" lock washer, 1/4-5/16" large washer, 5/16" t-nut)

Step 7: Small Roof Assembly Part 1

A: On each side of one (634) Rafter place one (624) Rafter Corner Left and one (623) Rafter Corner Right so the tops and edges are flush then attach with two #8 x 2-1/4" Wood Screws per side. (F7.1 and F7.2)

B: Place Fascia Beam Assembly from Step 6 on the bottom of (624) Rafter Corner Left, (623) Rafter Corner Right and (634) Rafter so the sides are flush then attach with one #8 x 2-1/4" Wood Screw at each end and one #8 x 2-1/2" Wood Screw in the middle. (F7.1, F7.3, F7.4 and F7.5)

C: Repeat Steps A and B to make a second Small Roof Assembly.



Wood Parts

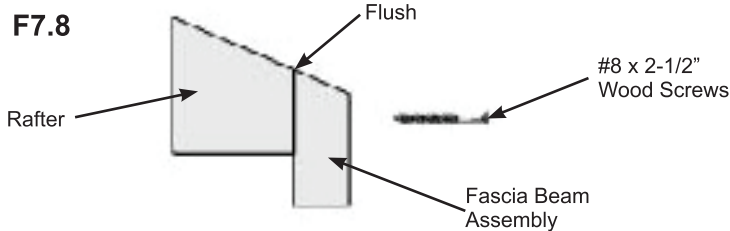
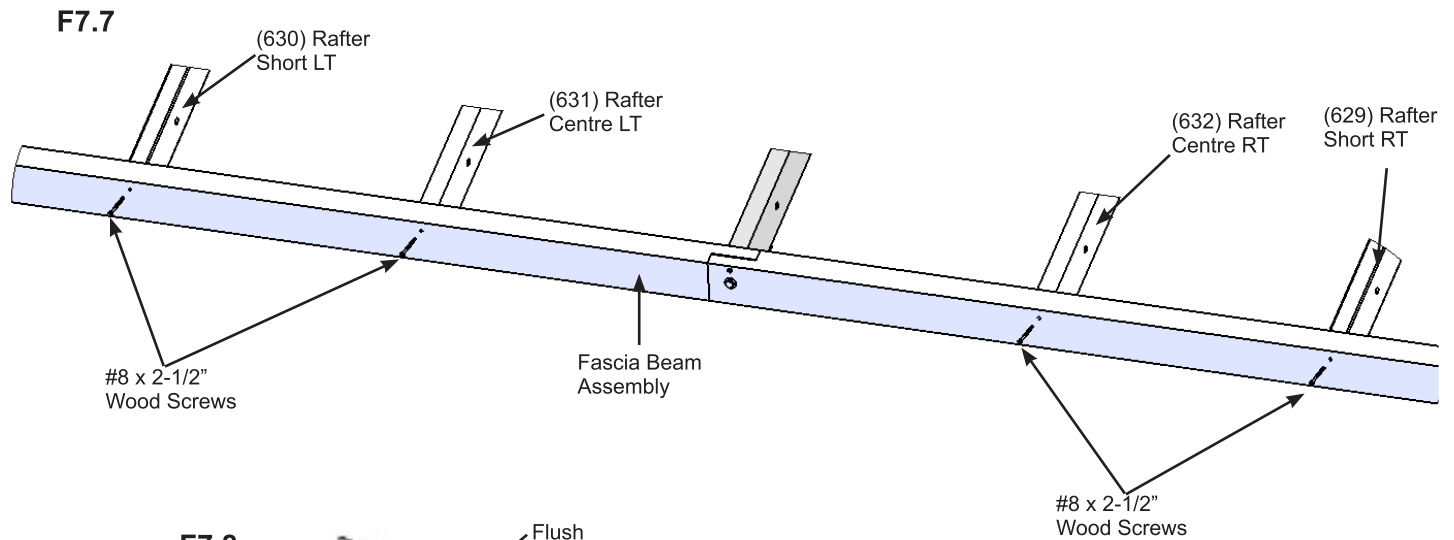
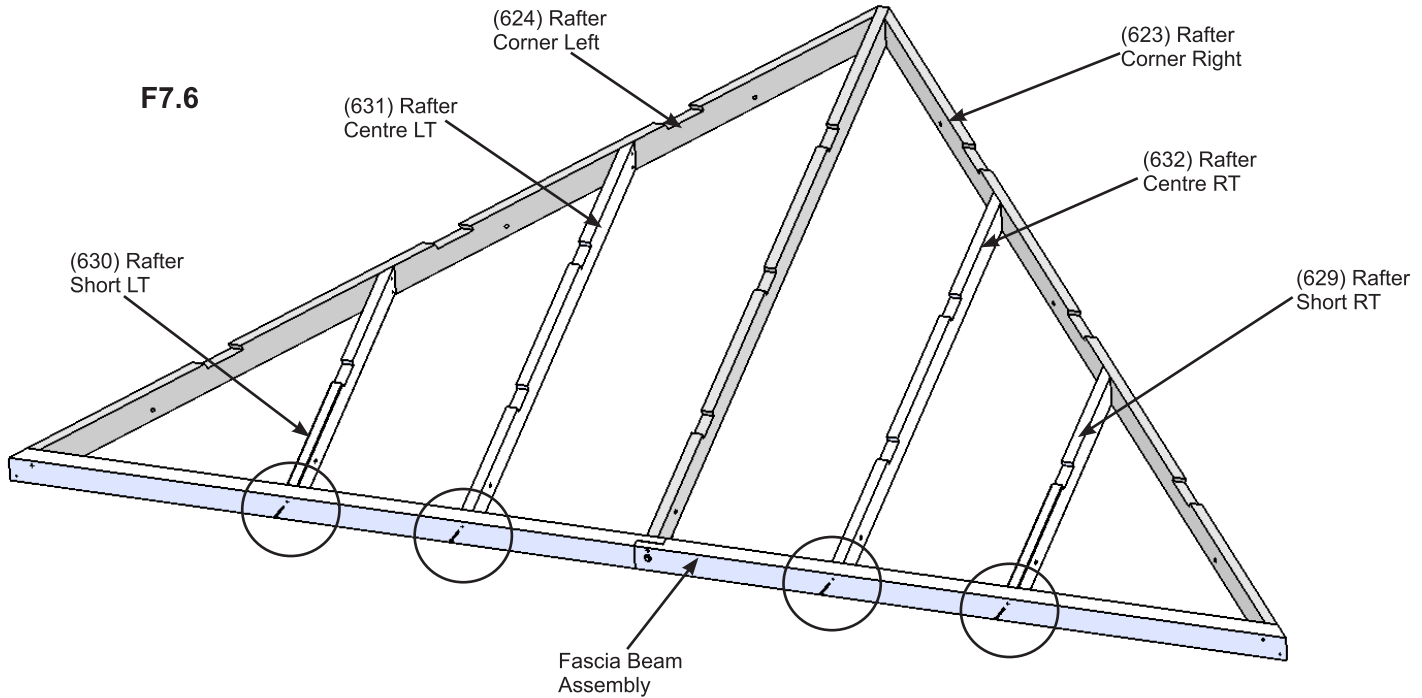
- 2 x (634) Rafter
- 2 x (623) Rafter Corner Right
- 2 x (624) Rafter Corner Left

Hardware

- 12 x #8 x 2-1/4" Wood Screw
- 2 x #8 x 2-1/2" Wood Screw

Step 7: Small Roof Assembly Part 2

D: Place one (629) Rafter Short RT, one (632) Rafter Centre RT, one (631) Rafter Centre LT and one (630) Rafter Short LT over the pilot holes in the Fascia Beam Assembly so they are flush to the top of the assembly and tight to both (623) Rafter Corner Right and (624) Rafter Corner Left, as shown in F7.6. Attach Fascia Beam Assembly to rafters with one #8 x 2-1/2" Wood Screw per rafter. Repeat for second Small Roof Assembly. (F7.6, F7.7 and F7.8)



Wood Parts

- 2 x (629) Rafter Short RT
- 2 x (630) Rafter Short LT
- 2 x (631) Rafter Centre LT
- 2 x (632) Rafter Centre RT

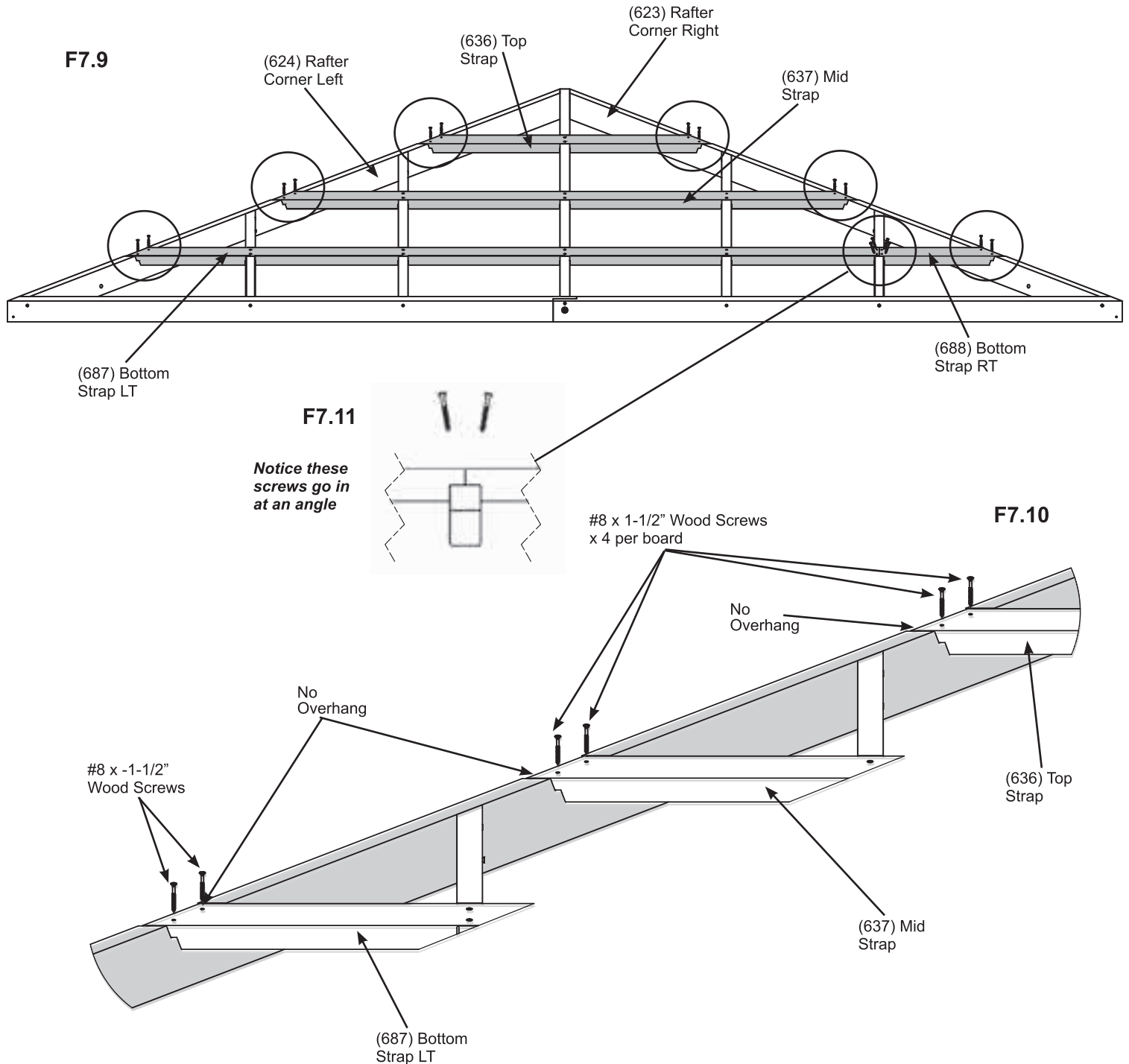
Hardware

- 8 x #8 x 2-1/2" Wood Screw

Step 7: Small Roof Assembly

Part 3

E: Place one (636) Top Strap, one (637) Mid Strap, one (687) Bottom Strap LT and one (688) Bottom Strap RT in the notches of each rafter so the ends do not overhang the outside edges of the outside boards. (687) Bottom Strap LT and (688) Bottom Strap RT sit tight together. Attach with four #8 x 1-1/2" Wood Screws per strap. Complete for each Small Roof Assembly. (F7.9, F7.10 and F7.11)



Wood Parts

- 2 x (636) Top Strap
- 2 x (637) Mid Strap
- 2 x (687) Bottom Strap LT
- 2 x (688) Bottom Strap RT

Hardware

- 32 x #8 x 1-1/2" Wood Screw

Step 7: Small Roof Assembly

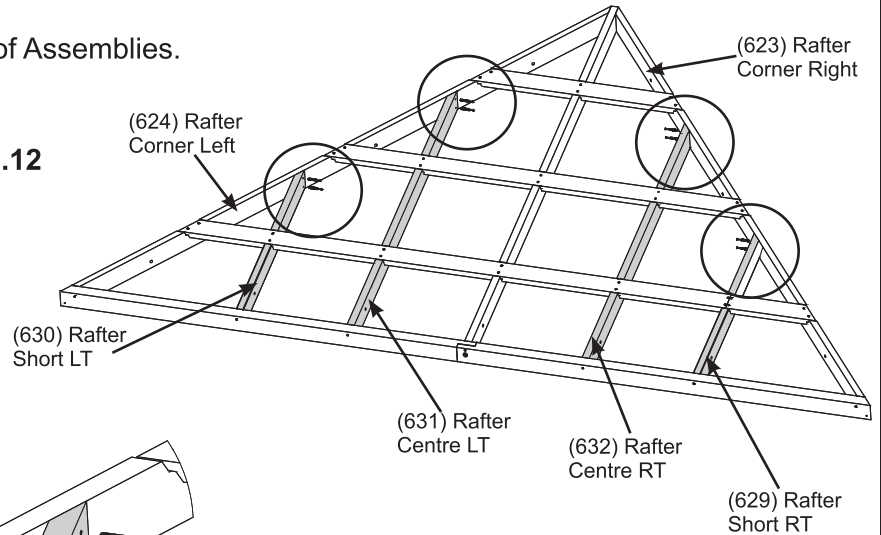
Part 4

F: Attach (629) Rafter Short RT and (632) Rafter Centre RT to (623) Rafter Corner Right and (631) Rafter Centre LT and (630) Rafter Short LT to (624) Rafter Corner Left with two #8 x 1-1/2" Wood Screw per rafter. (F7.12 and F7.13)

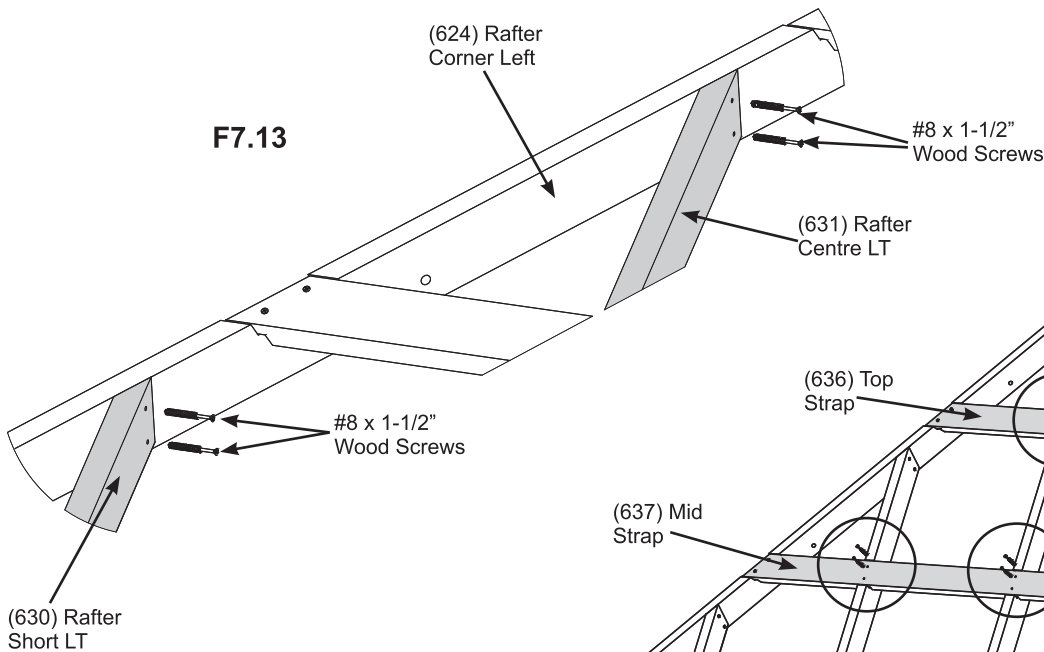
G: Attach (636) Top Strap, (637) Mid Strap and (687) Bottom Strap LT to rafters with 16 #8 x 1-1/2" Wood Screws. (F7.14)

H: Complete Steps F and G for both Small Roof Assemblies.

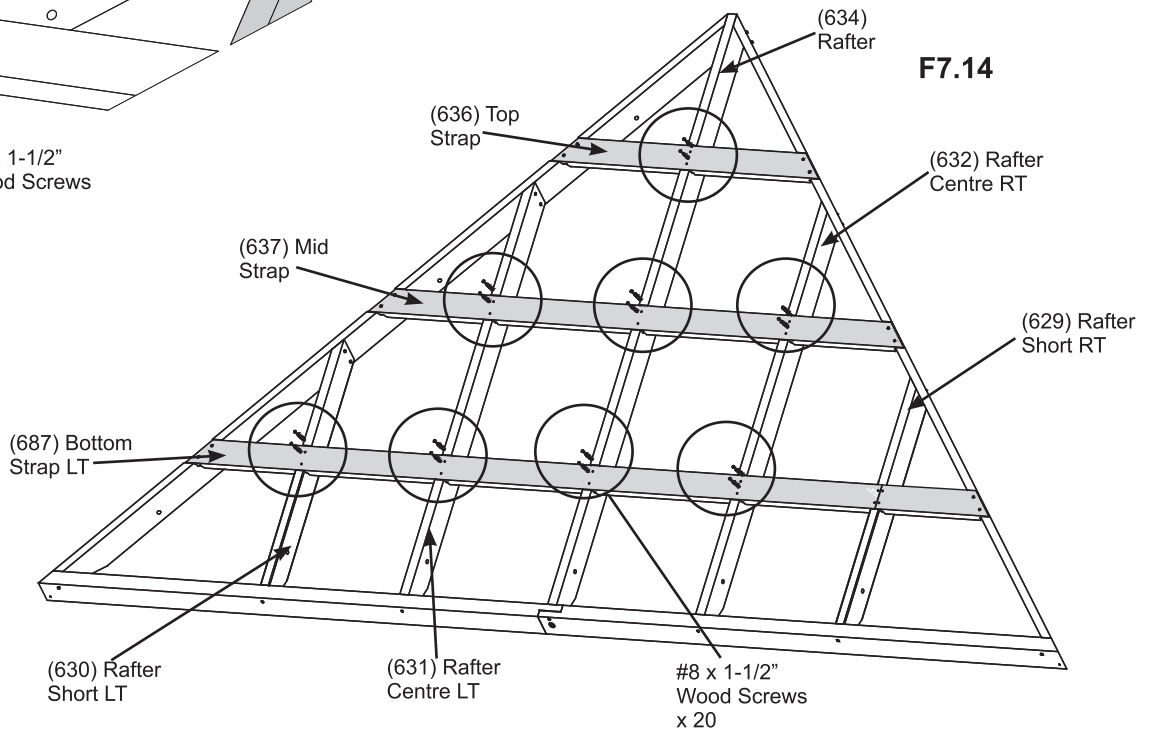
F7.12



F7.13



F7.14

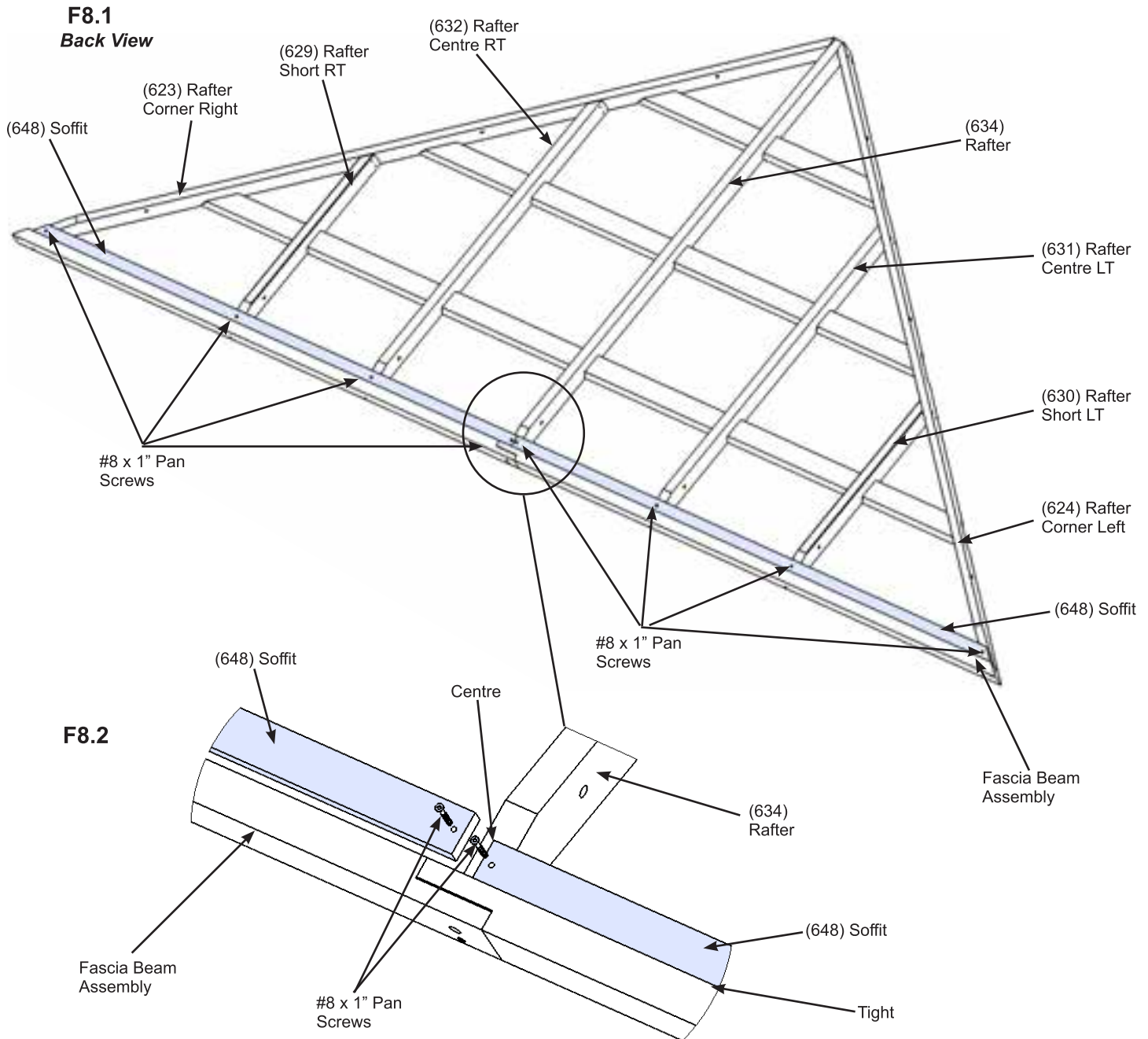


Hardware

48 x #8 x 1-1/2" Wood Screw

Step 8: Attach Soffits - Small Roof Assembly

A: Turn over each Small Roof Assembly then place two (648) Soffits tight together at centre of (634) Rafter and tight to the top of Fascia Beam Assembly. Attach (648) Soffits to (634) Rafter, (623) Rafter Corner Right, (624) Rafter Corner Left, (629) Rafter Short RT, (630) Rafter Short LT, (632) Rafter Centre RT and (631) Rafter Centre LT with four #8 x 1" Pan Screws per soffit. (F8.1 and F8.2)

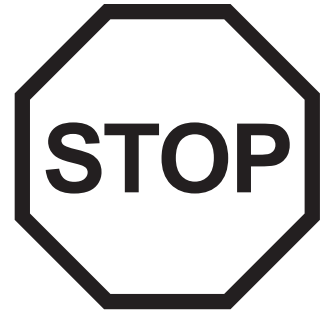
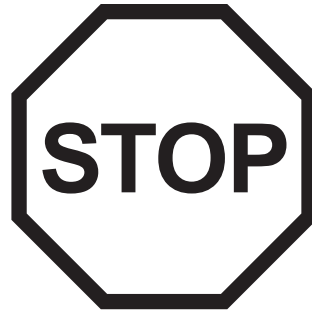
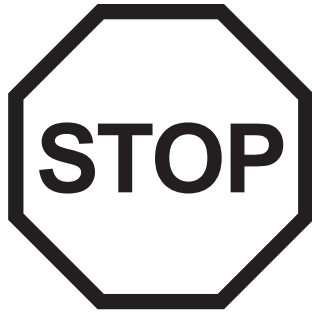


Wood Parts

4 x (648) Soffit

Hardware

16 x #8 x 1" Pan Screw



INSTALLING ROOFING MATERIAL

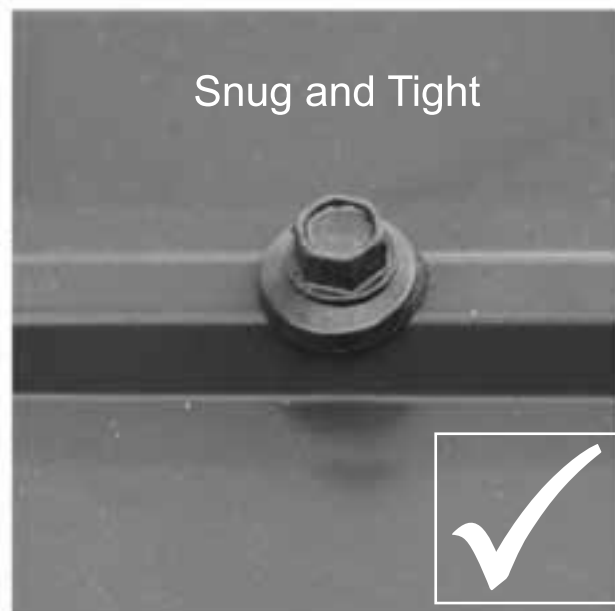
CAUTION!

Roofing material may have sharp edges! Wear gloves!

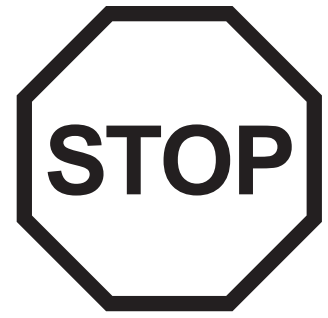
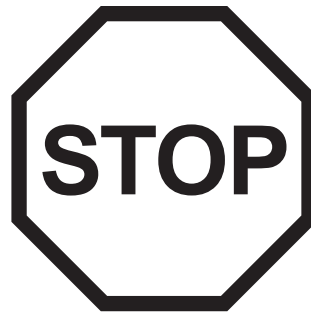
HANDLE WITH CARE!

Place roofing material on a non-abrasive surface before assembly as it can bend, dent and scratch easily.

**WARNING – DO NOT OVER TIGHTEN ROOFING SCREWS!
Over tightening screws will cause roofing material to crush.**



The roofing screws can easily crush the Roof Panels and Roof Edges when using a power drill. We recommend hand tightening the roofing screws so that they sit snug and tight to the roofing material.



INSTALLING ROOFING MATERIAL

CAUTION!

Roofing material may have sharp edges! Wear gloves!

BE SURE TO REMOVE ALL PLASTIC COVERING, ON BOTH SIDES OF THE ALUMINUM PANELS AND TRIM, DIRECTLY BEFORE INSTALLING EACH PIECE. *(One side is clear and the other is blue, both must be removed.)*



Step 9: Attach Roof Panels - Small Roof Assembly Part 1

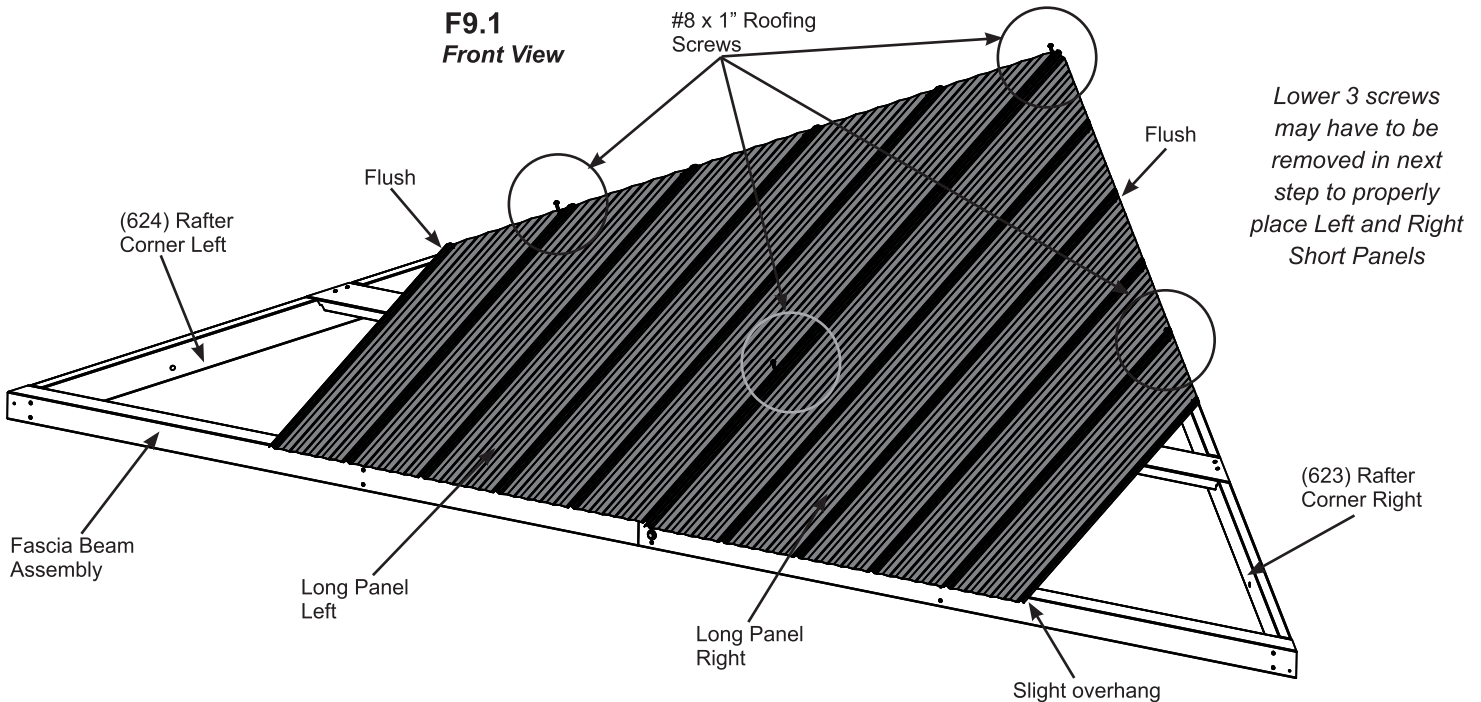
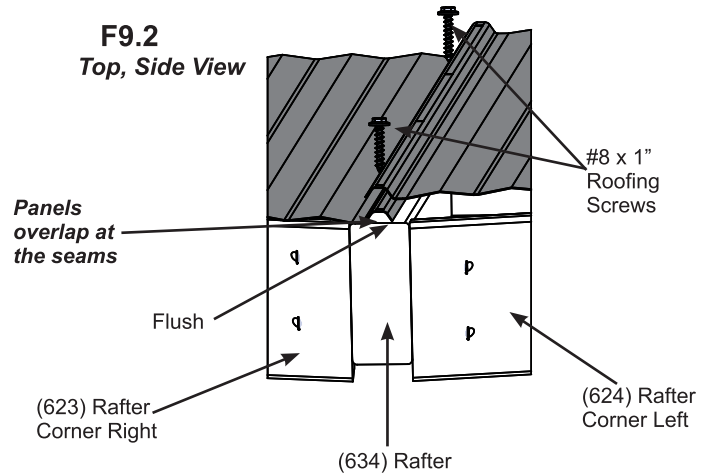
A: Place one Long Panel Left on the front of one Small Roof Assembly so it is flush to the side of (624) Rafter Corner Left and a slight overhang at the bottom of the Fascia Beam Assembly. (F9.1 and F9.2)

B: Place one Long Panel Right on Small Roof Assembly so it overlaps the Long Panel Left and it is flush to the side of (623) Rafter Corner Right and a slight overhang at the bottom of the Fascia Beam Assembly. (F9.1 and F9.2)

C: Attach both Left and Right Long Panels to Small Roof Assembly with four #8 x 1" Roofing Screws in locations shown in F9.1 and F9.2. Be sure not to overtighten screws.

D: Repeat Steps A - C for both Small Roof Assemblies.

DO NOT overtighten screws, could cause damage to roofing material



Roof Parts

2 x Long Panel Left
2 x Long Panel Right

Hardware

8 x #8 x 1" Roofing Screw

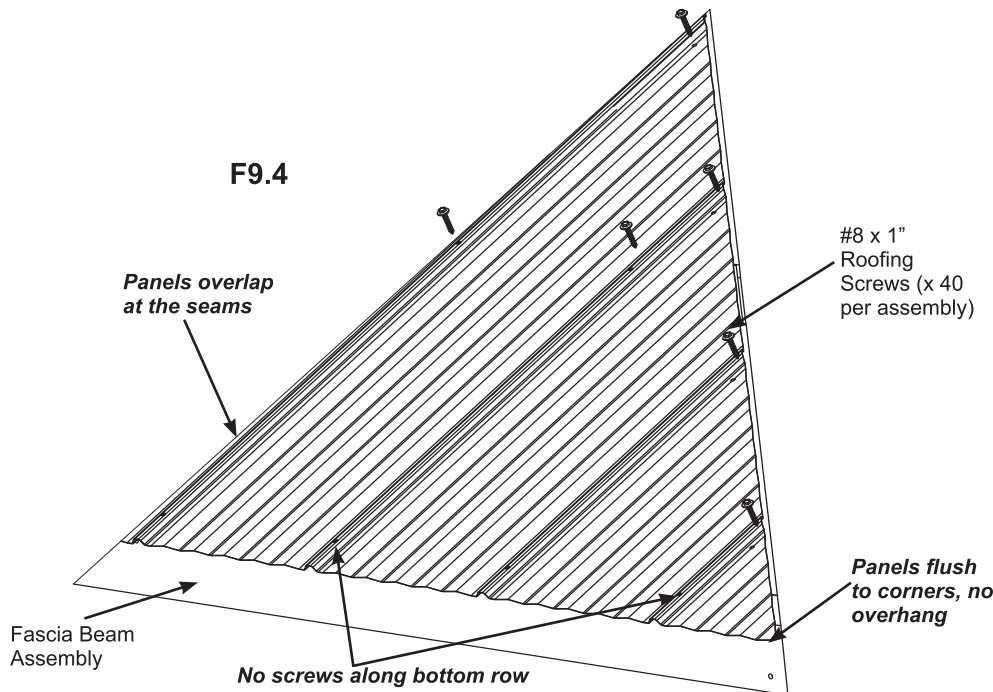
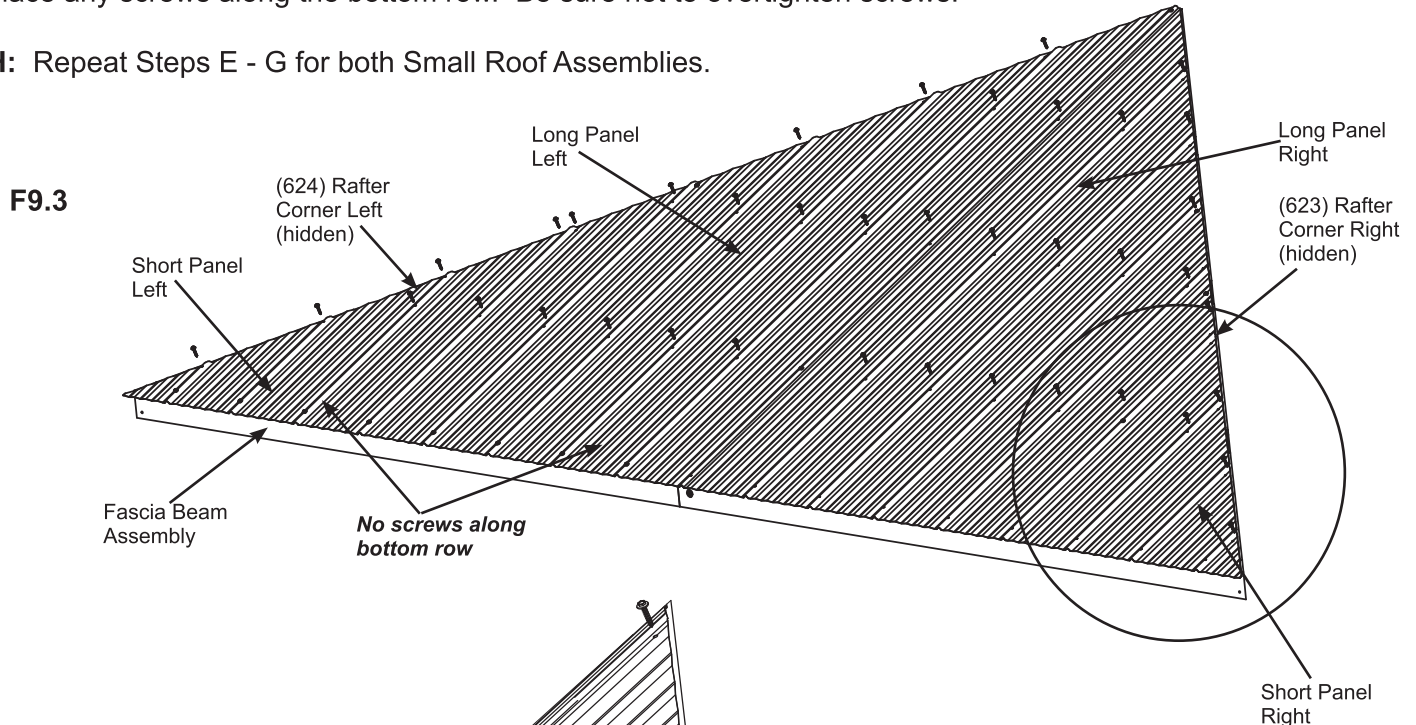
Step 9: Attach Roof Panels - Small Roof Assembly Part 2

E: Place one Short Panel Left on Small Roof Assembly so it overlaps the Long Panel Left and it is flush to the sides of (624) Rafter Corner Left and a slight overhang at the bottom of the Fascia Beam Assembly. There should be no overhang at the corners. (F9.3 and F9.4)

F: Place one Short Panel Right on Small Roof Assembly so it overlaps the Long Panel Right and it is flush to the side of (623) Rafter Corner Right and a slight overhang at the bottom of the Fascia Beam Assembly. There should be no overhanging at the corners. (F9.3 and F9.4)

G: Attach all panels to Small Roof Assembly with 40 #8 x 1" Roofing Screws in locations shown in F9.3. Do not place any screws along the bottom row. Be sure not to overtighten screws.

H: Repeat Steps E - G for both Small Roof Assemblies.



DO NOT overtighten screws, could cause damage to roofing material

Roof Parts

- 2 x Short Panel Left
- 2 x Short Panel Right

Hardware

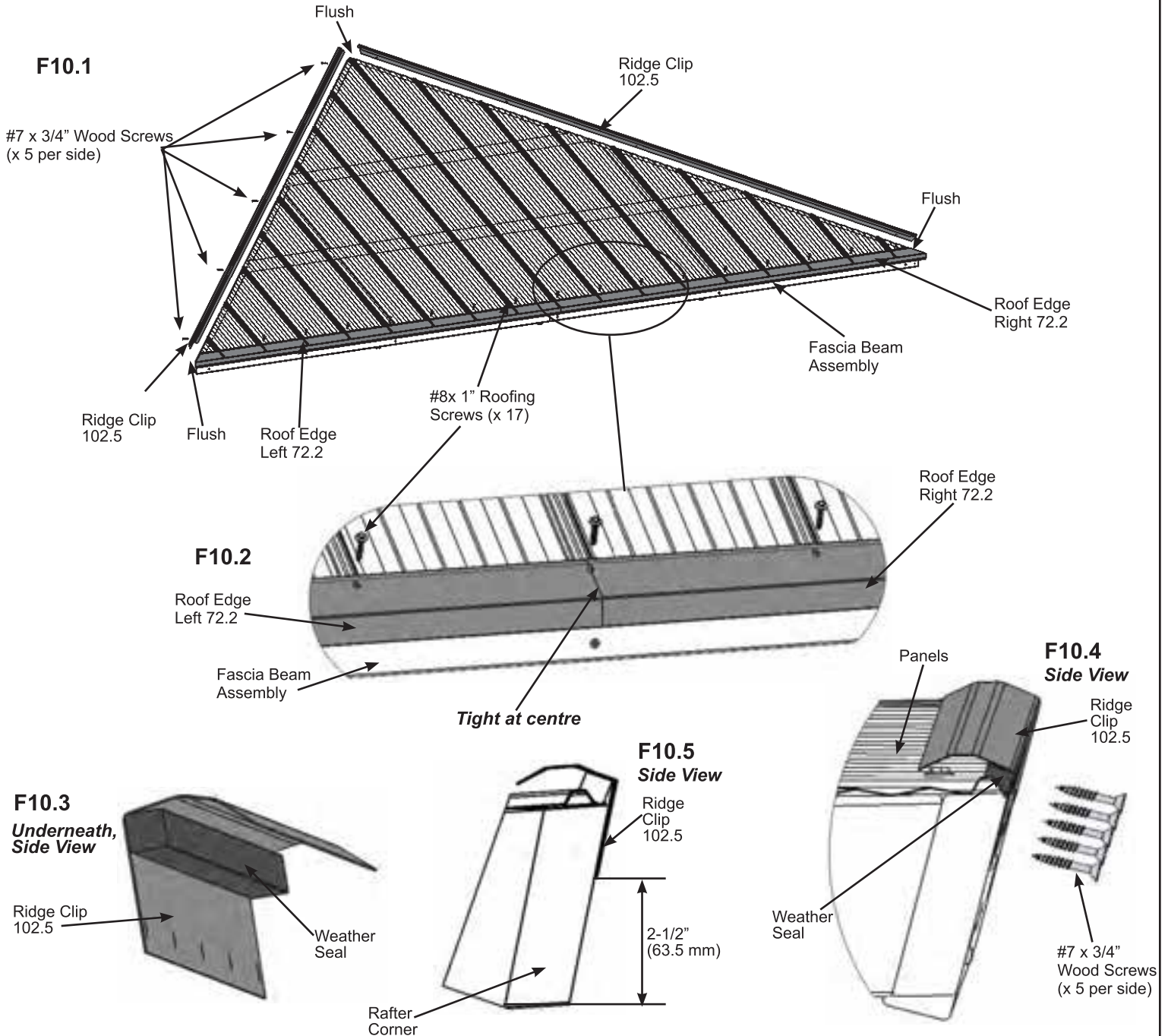
- 80 x #8 x 1" Roofing Screw

Step 10: Attach Ridge Clips and Roof Edges - Small Roof Assembly



A: Place one Roof Edge Left 72.2 and one Roof Edge Right 72.2 on the bottom of each Small Roof Assembly so the ends are flush with the outside ends of the Fascia Beam Assembly and meet tight in the centre. Attach both Roof Edges with 17 #8 x 1" Roofing Screws per Small Roof Assembly. (F10.1 and F10.2)

B: Place one Weather Seal on the inside of four Ridge Clip 102.5 then place one Ridge Clip 102.5 on each side of each Small Roof Assembly so they cover the panels. The bottom edge of each Ridge Clip 102.5 should be 2-1/2" (63.5 mm) up from the bottom edge of (623) Rafter Corner Right and (624) Rafter Corner Left. Attach with five #7 x 3/4" Wood Screws per Ridge Clip 102.5. (F10.1, F10.3, F10.4 and F10.5)



Components:

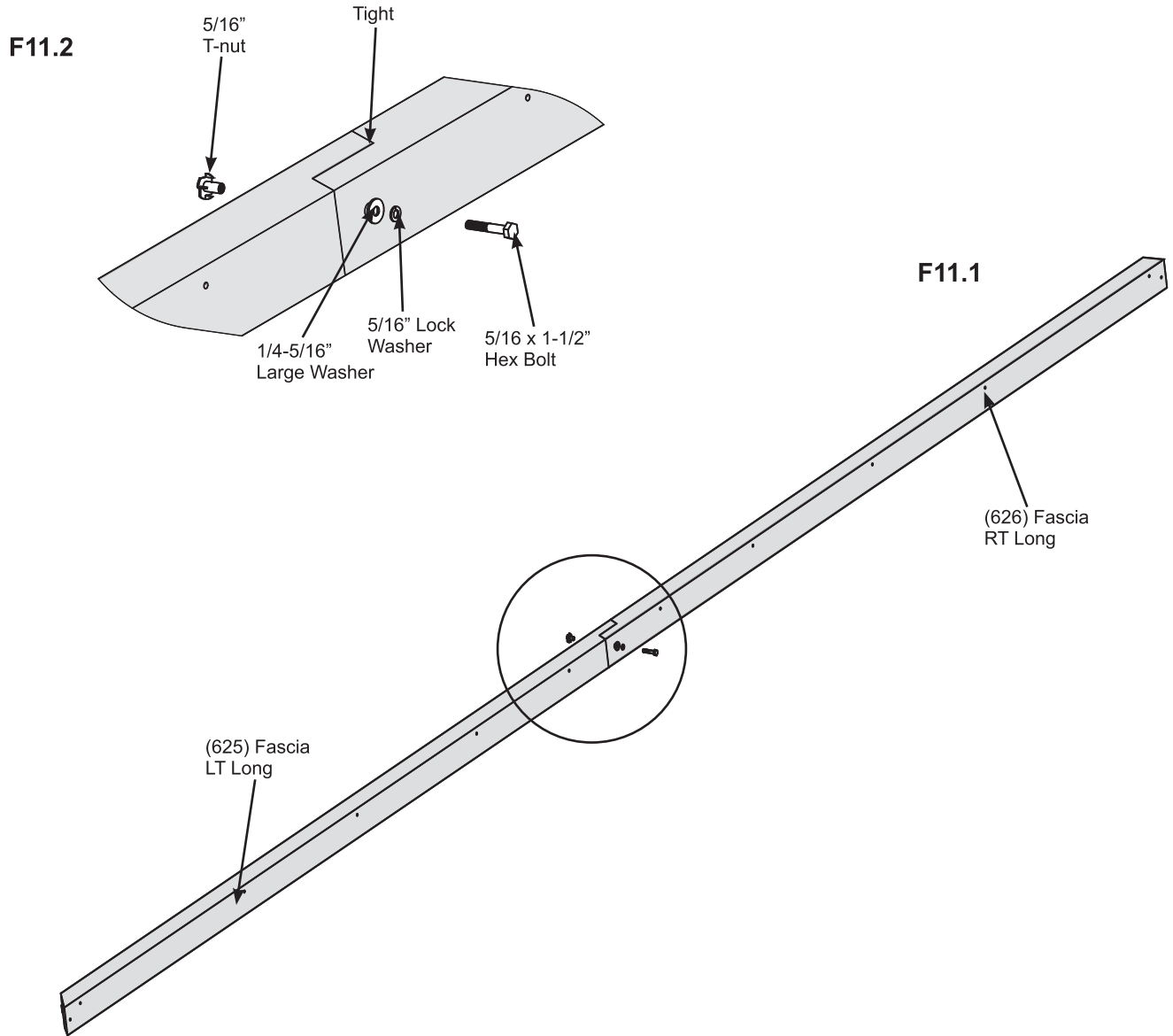
- 2 x Roof Edge Left 72.2
- 2 x Roof Edge Right 72.2
- 4 x Ridge Clip 102.5
- 4 x Weather Seal

Hardware

- 34 x #8 x 1" Roofing Screw
- 20 x #7 x 3/4" Wood Screw

Step 11: Fascia Beam Assembly - Large Roof Assembly

A: Tightly connect one (625) Fascia LT Long and one (626) Fascia RT Long using one 5/16 x 1-1/2" Hex Bolt (with 5/16" lock washer, 1/4-5/16" large washer and 5/16" t-nut) as shown in F11.1 and F11.2. Repeat to make a second Large Fascia Beam Assembly.



Wood Parts

- 2 x (625) Fascia LT Long
- 2 x (626) Fascia RT Long

Hardware

- 2 x 5/16 x 1-1/2" Hex Bolt
(5/16" lock washer, 1/4-5/16" large washer, 5/16" t-nut)

Step 12: Large Roof Assembly

Part 1

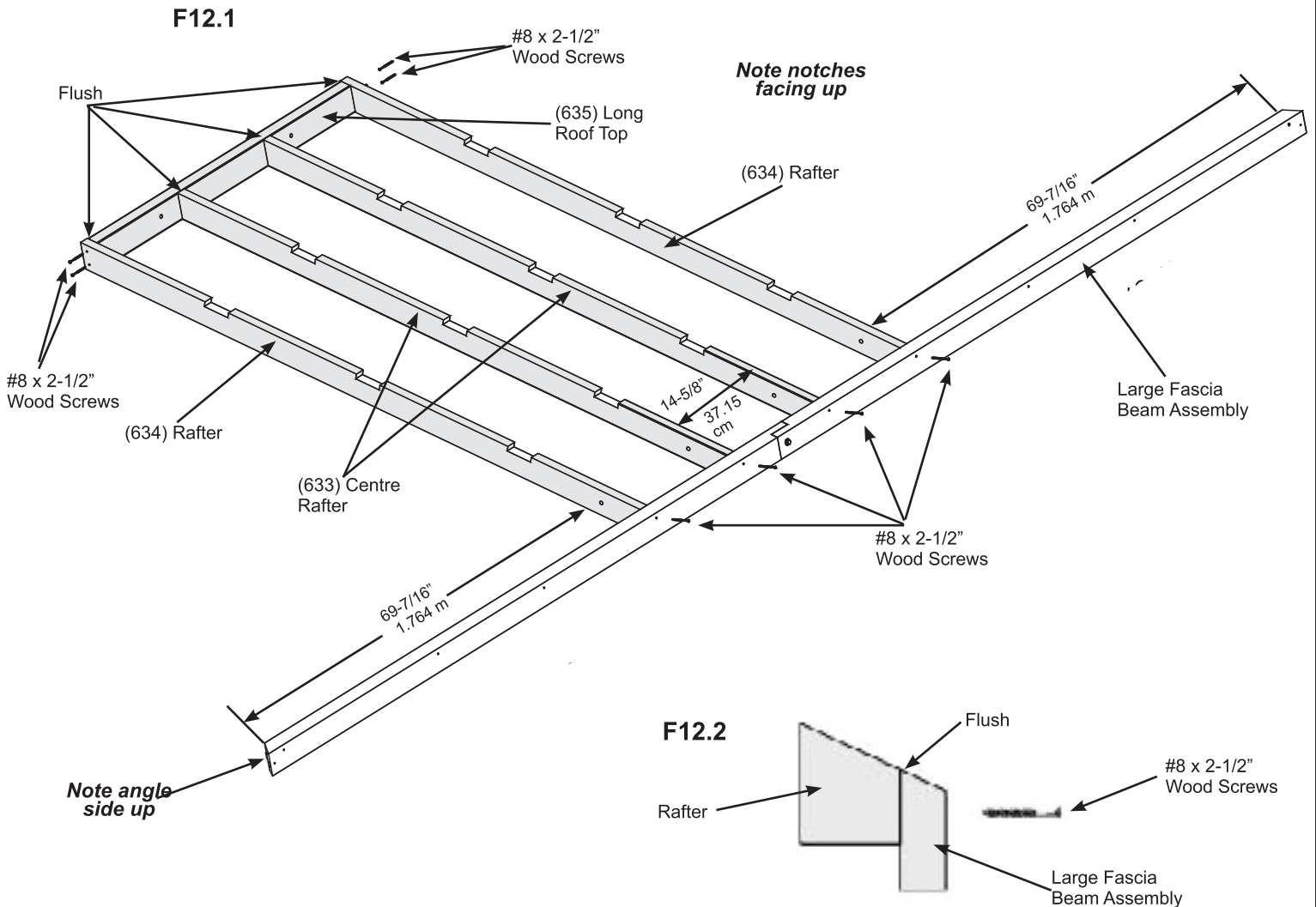


A: Place one (635) Long Roof Top in between both (634) Rafters. (635) Long Roof Top to be flush to the tops to the ends of each (634) Rafter. Attach each (634) Rafter to (635) Long Roof Top with two #8 x 2-1/2" Wood Screws per Rafter. (F12.1)

B: Measure 69-7/16" (1.764 m) from the inside ends of the Large Fascia Beam Assembly then place one (634) Rafter over each pilot hole, flush to the top of the Large Fascia Beam Assembly and attach with one #8 x 2-1/2" Wood Screw per rafter. (F12.1 and F12.2)

C: In between both (634) Rafters place two (633) Centre Rafters so the tops are flush to the top of the Large Fascia Beam Assembly and the distance between (633) Centre Rafters measures 14-5/8" (37.15 cm) then attach with one #8 x 2-1/2" Wood Screws per rafter. (F12.1 and F12.2)

D: Repeat Steps A - C to make a second Large Roof Assembly.



Wood Parts

- 4 x (633) Centre Rafter
- 4 x (634) Rafter
- 2 x (635) Long Roof Top

Hardware

- 16 x #8 x 2-1/2" Wood Screw

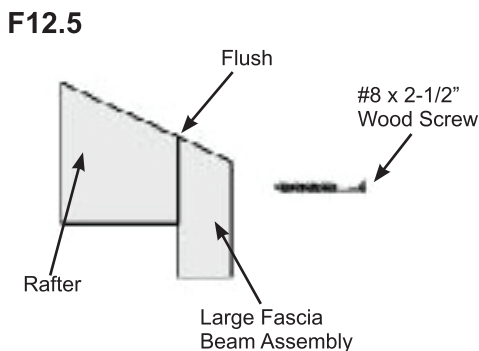
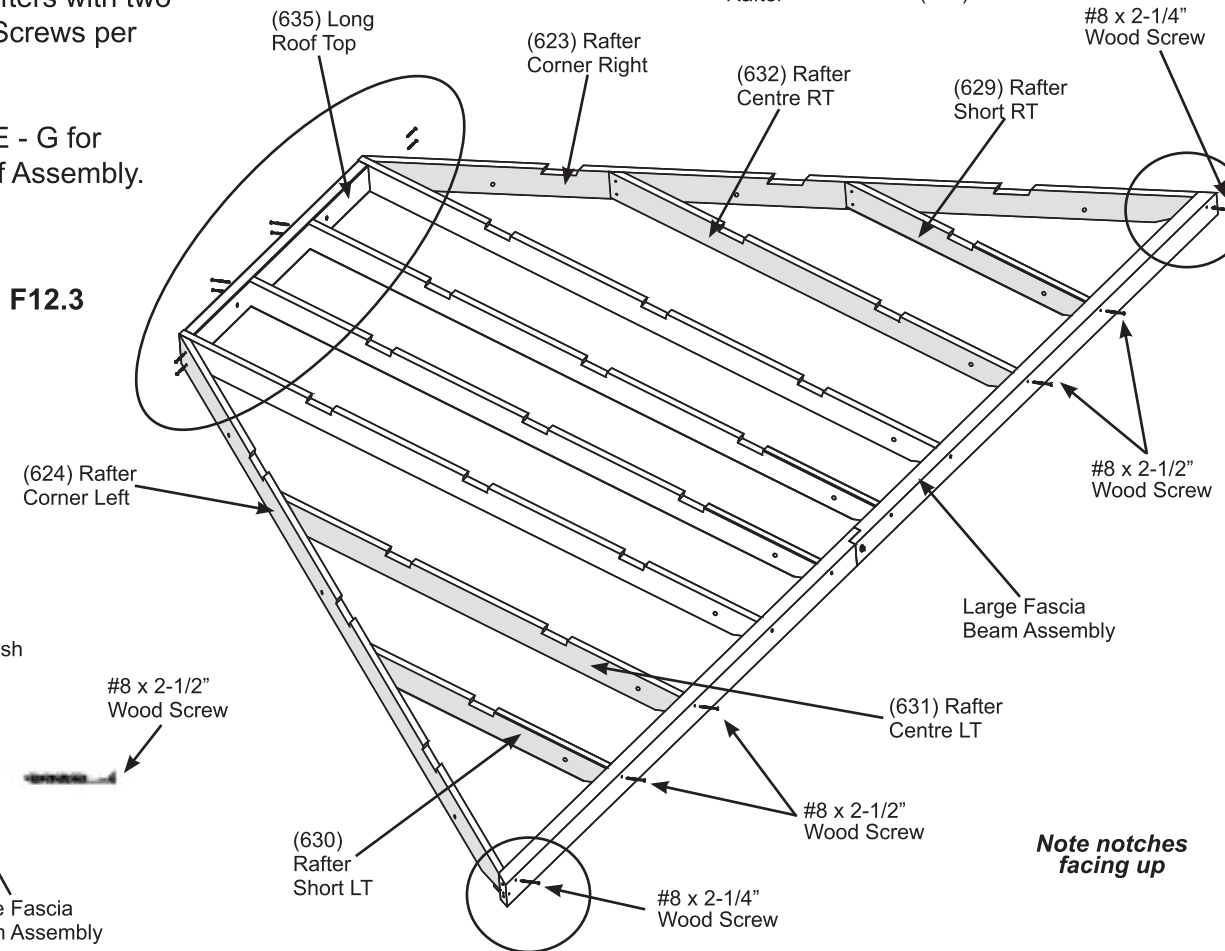
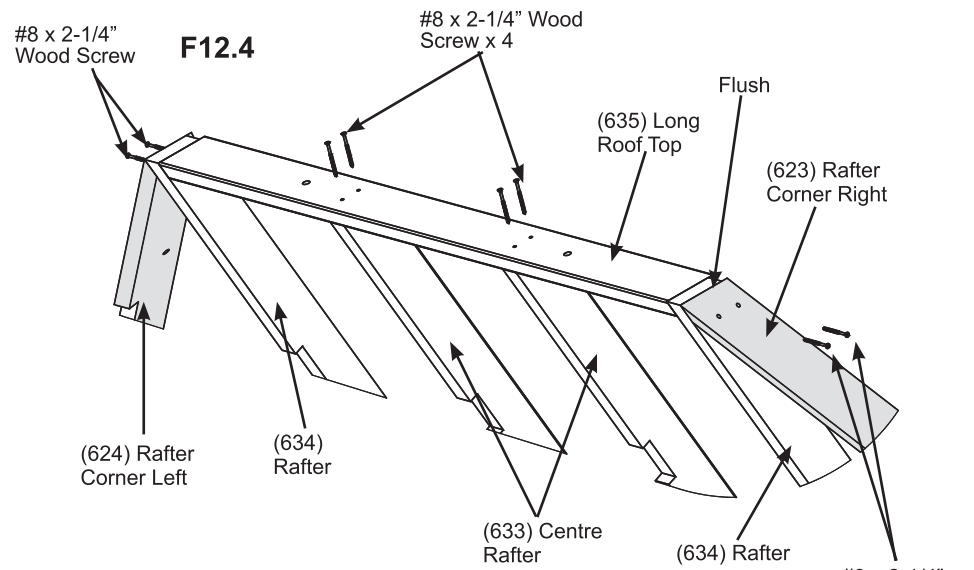
Step 12: Large Roof Assembly Part 2

E: On the sides of Large Fascia Beam Assembly place one (624) Rafter Corner Left and one (623) Rafter Corner Right so the tops and edges are flush then attach to (634) Rafters with two #8 x 2-1/4" Wood Screws per board and to Large Fascia Beam Assembly with one #8 x 2-1/4" Wood Screw per board. (F12.3, F12.4 and F12.5)

F: Place one (629) Rafter Short RT, one (632) Rafter Centre RT, one (631) Rafter Centre LT and one (630) Rafter Short LT over the pilot holes in the Large Fascia Beam Assembly so they are flush to the top of the assembly and tight to both (623) Rafter Corner Right and (624) Rafter Corner Left, as shown in F12.3. Attach Large Fascia Beam Assembly to rafters with one #8 x 2-1/2" Wood Screw per rafter. (F12.3 and F12.5)

G: Attach (635) Long Roof Top to (633) Centre Rafters with two #8 x 2-1/4" Wood Screws per rafter. (F12.4)

H: Repeat Steps E - G for second Large Roof Assembly.



Wood Parts

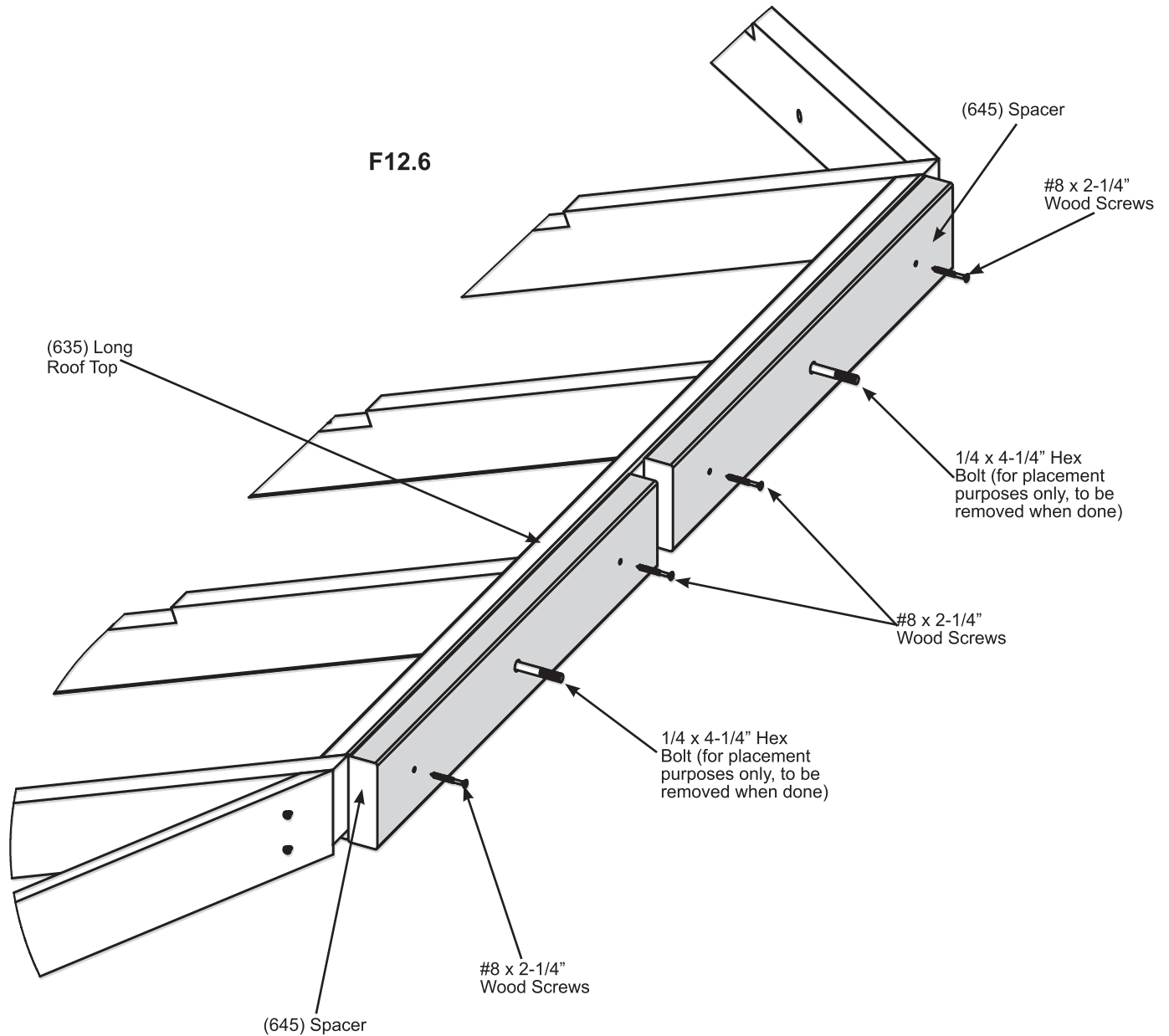
2 x (623) Rafter Corner Right	2 x (630) Rafter Short LT
2 x (624) Rafter Corner Left	2 x (631) Rafter Centre LT
2 x (629) Rafter Short RT	2 x (632) Rafter Centre RT

Hardware

20 x #8 x 2-1/4" Wood Screw
8 x #8 x 2-1/2" Wood Screw

Step 12: Large Roof Assembly Part 3

I: On only one Large Roof Assembly, place two (645) Spacers on (635) Long Roof Top. To find the correct placement of each spacer insert one 1/4 x 4-1/4" Hex Bolt through (635) Long Roof Top into each (645) Spacer. The bolts are for placement only, they are to be removed at the end of this step. Attach each spacer to (635) Long Roof Top with two #8 x 2-1/4" Wood Screws per spacer. Remove bolts, to be used in Step 18. (F12.6)



Wood Parts

2 x (645) Spacer

Hardware

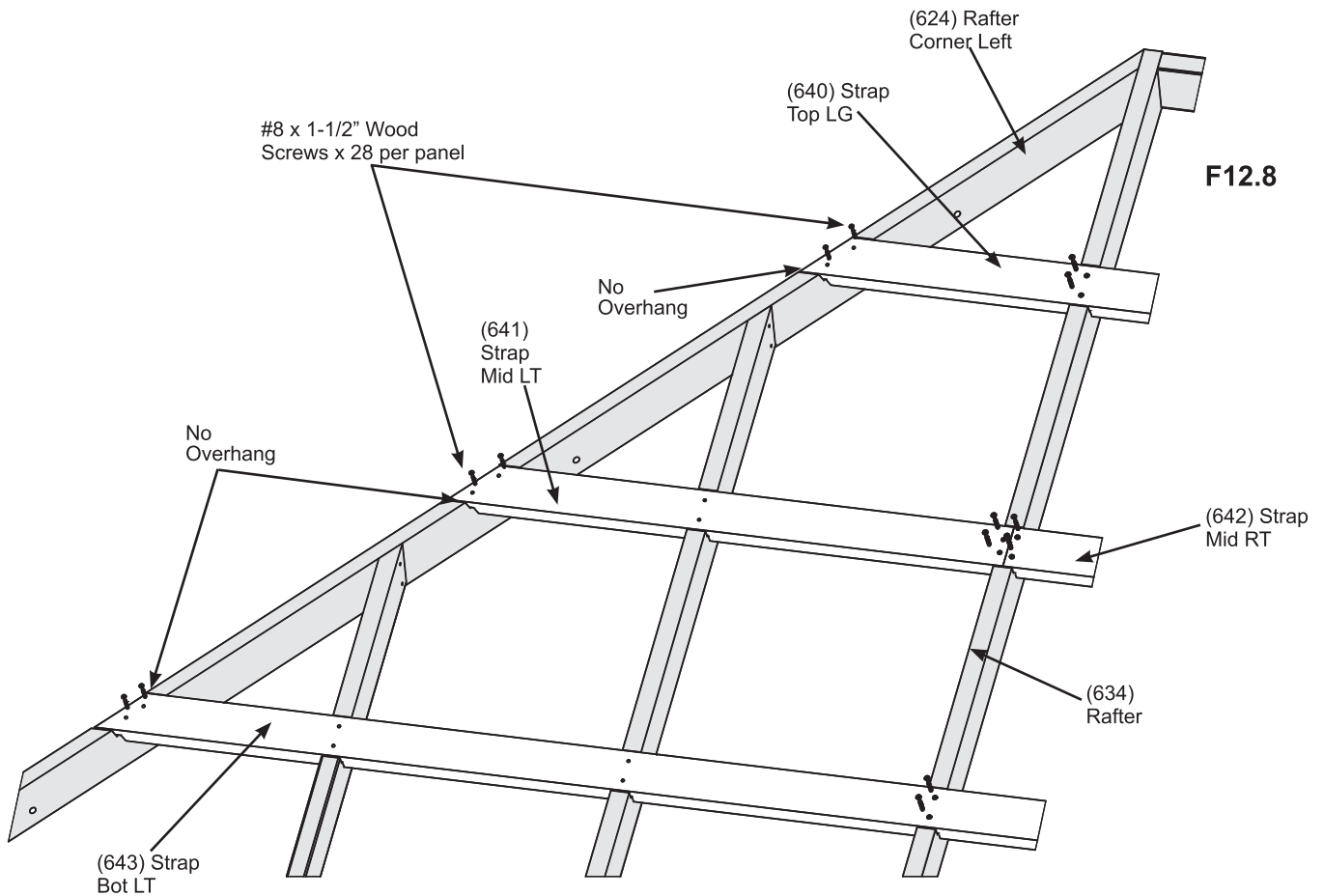
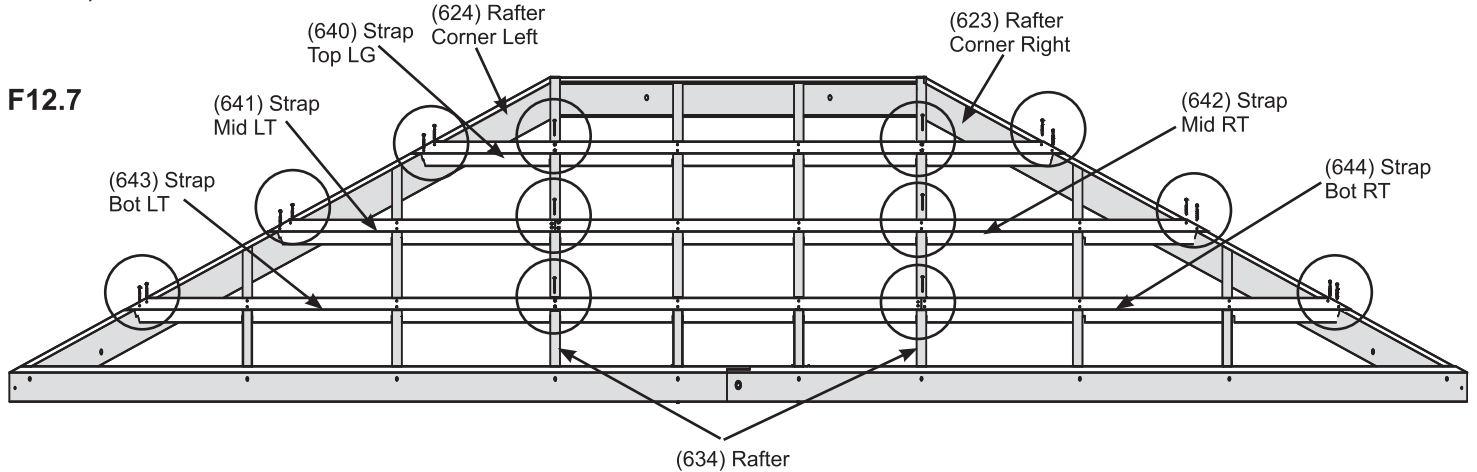
4 x #8 x 2-1/4" Wood Screw

2 x 1/4 x 4-1/4" Hex Bolt
(for placement purposes only)

Step 12: Large Roof Assembly

Part 4

E: Place one (640) Strap Top LG, one (641) Strap Mid LT, one (642) Strap Mid RT, one (643) Strap Bot LT and one (644) Strap Bot RT in the notches of each rafter so the ends do not overhang the outside edges of the outside boards. (641) Strap Mid LT and (642) Strap Mid RT sit tight together and (643) Strap Bot LT and (644) Strap Bot RT sit tight together. Attach to (623) Rafter Corner Right, (624) Rafter Corner Left and each (634) Rafter with 28 #8 x 1-1/2" Wood Screws as shown below. Complete for each Large Roof Assembly. (F12.7 and F12.8)



Wood Parts

2 x (640) Strap Top LG
 2 x (641) Strap Mid LT
 2 x (642) Strap Mid RT
 2 x (643) Strap Bot LT
 2 x (644) Strap Bot RT

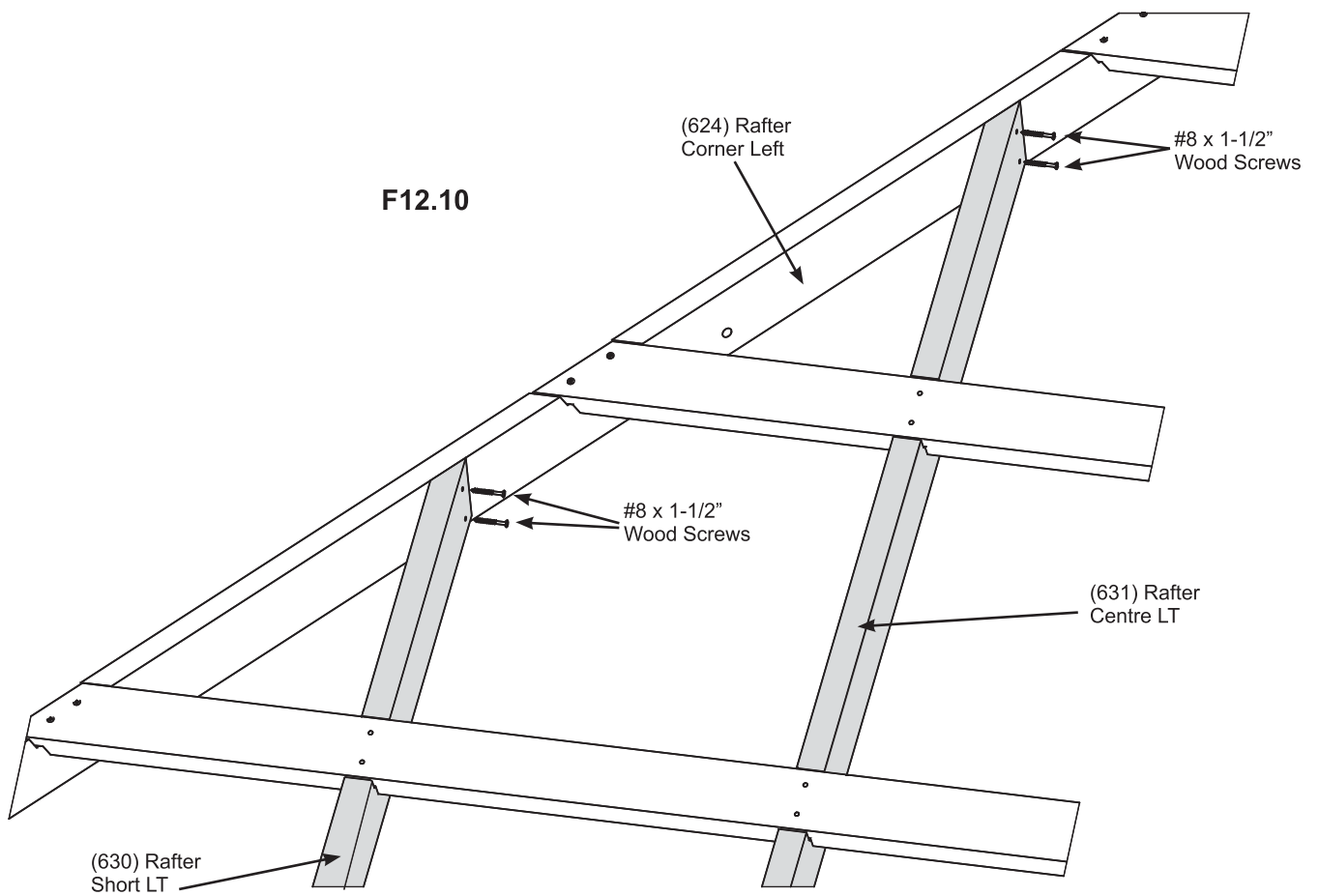
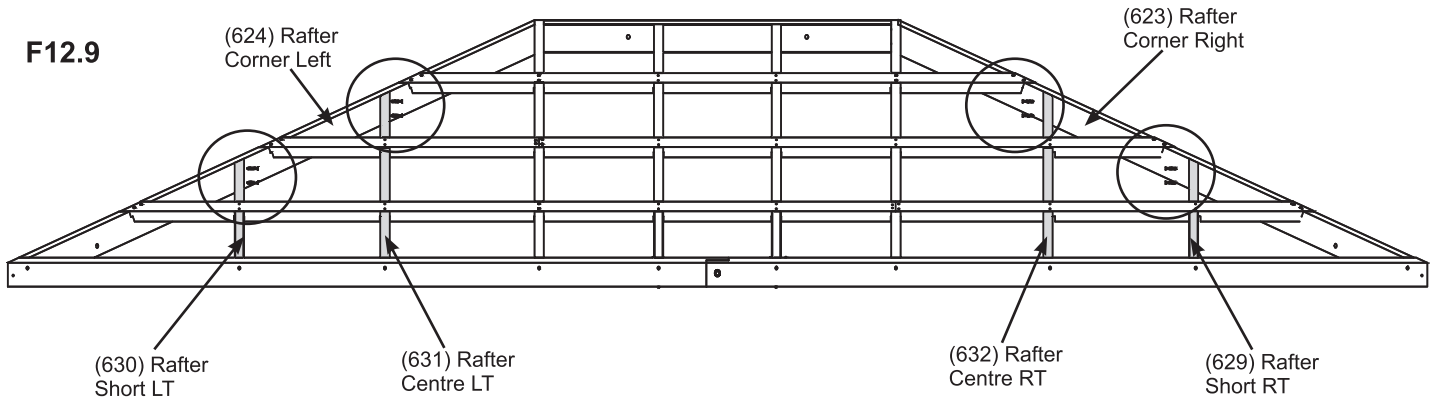
Hardware

56 x #8 x 1-1/2" Wood Screw

Step 12: Large Roof Assembly

Part 5

F: Attach (629) Rafter Short RT and (632) Rafter Centre RT to (623) Rafter Corner Right and (631) Rafter Centre LT and (630) Rafter Short LT to (624) Rafter Corner Left with two #8 x 1-1/2" Wood Screw per rafter. Complete for each Large Roof Assembly. (F12.9 and F12.10)



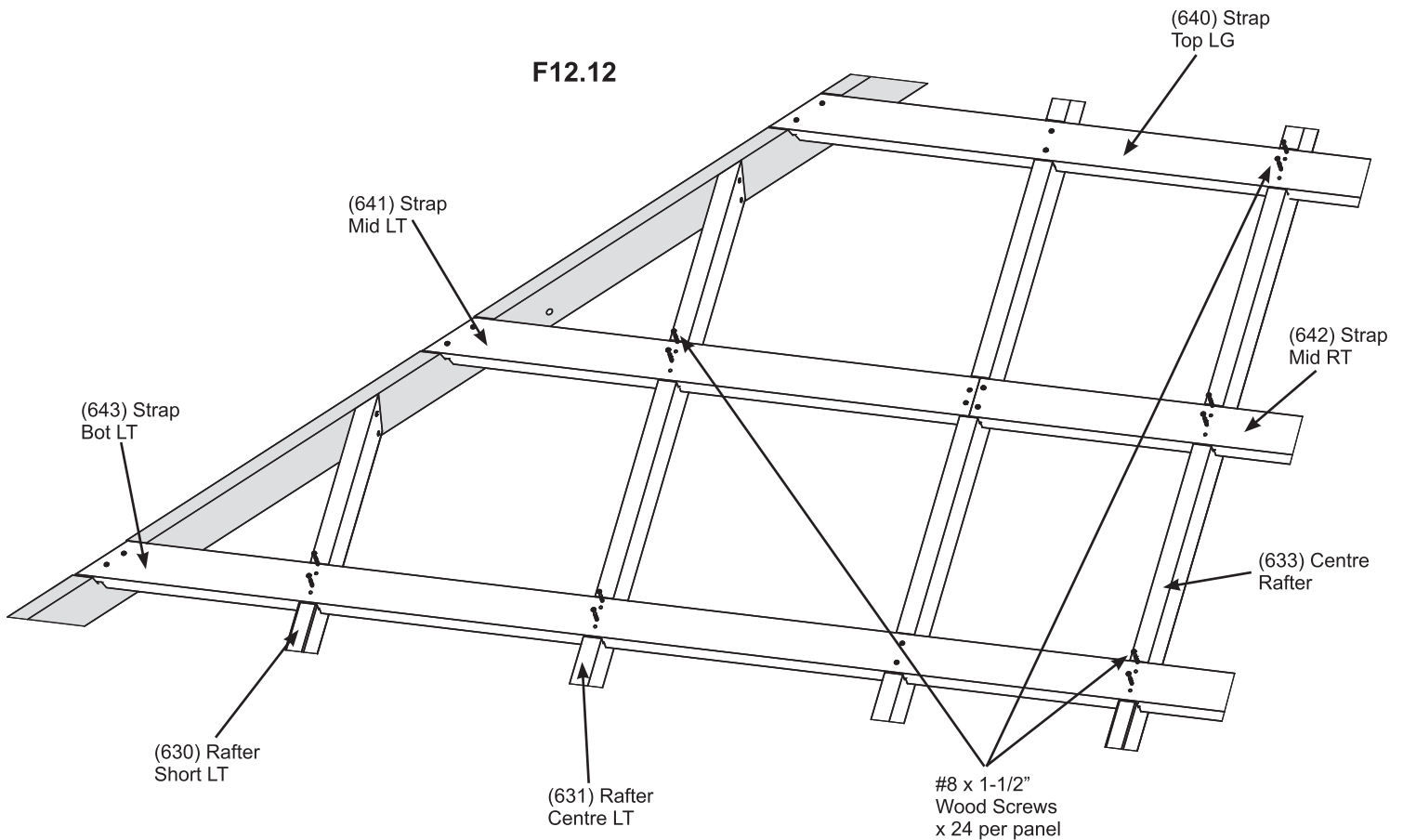
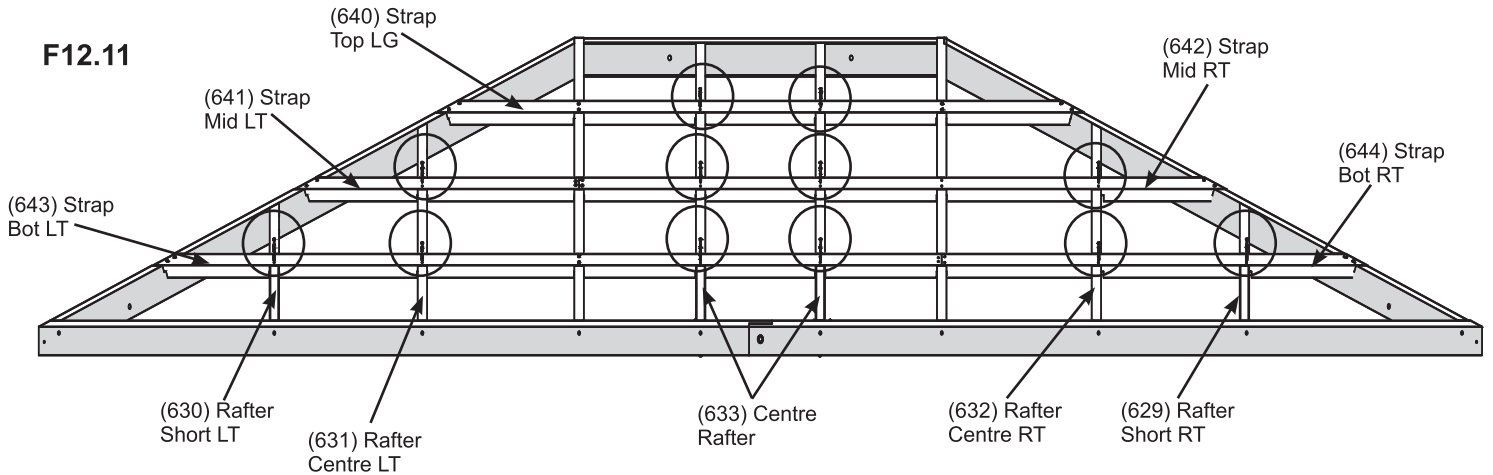
Hardware

16 x #8 x 1-1/2" Wood Screw

Step 12: Large Roof Assembly

Part 6

G: Attach (640) Strap Top LG, (641) Strap Mid LT, (642) Strap Mid RT, (643) Strap Bot LT and (644) Strap Bot RT to (629) Rafter Short RT, (632) Rafter Centre RT, (630) Rafter Short LT, (631) Rafter Centre LT and both (633) Centre Rafters with 24 #8 x 1-1/2" Wood Screws. Complete for each Large Roof Assembly. (F12.11 and F12.12)



Hardware

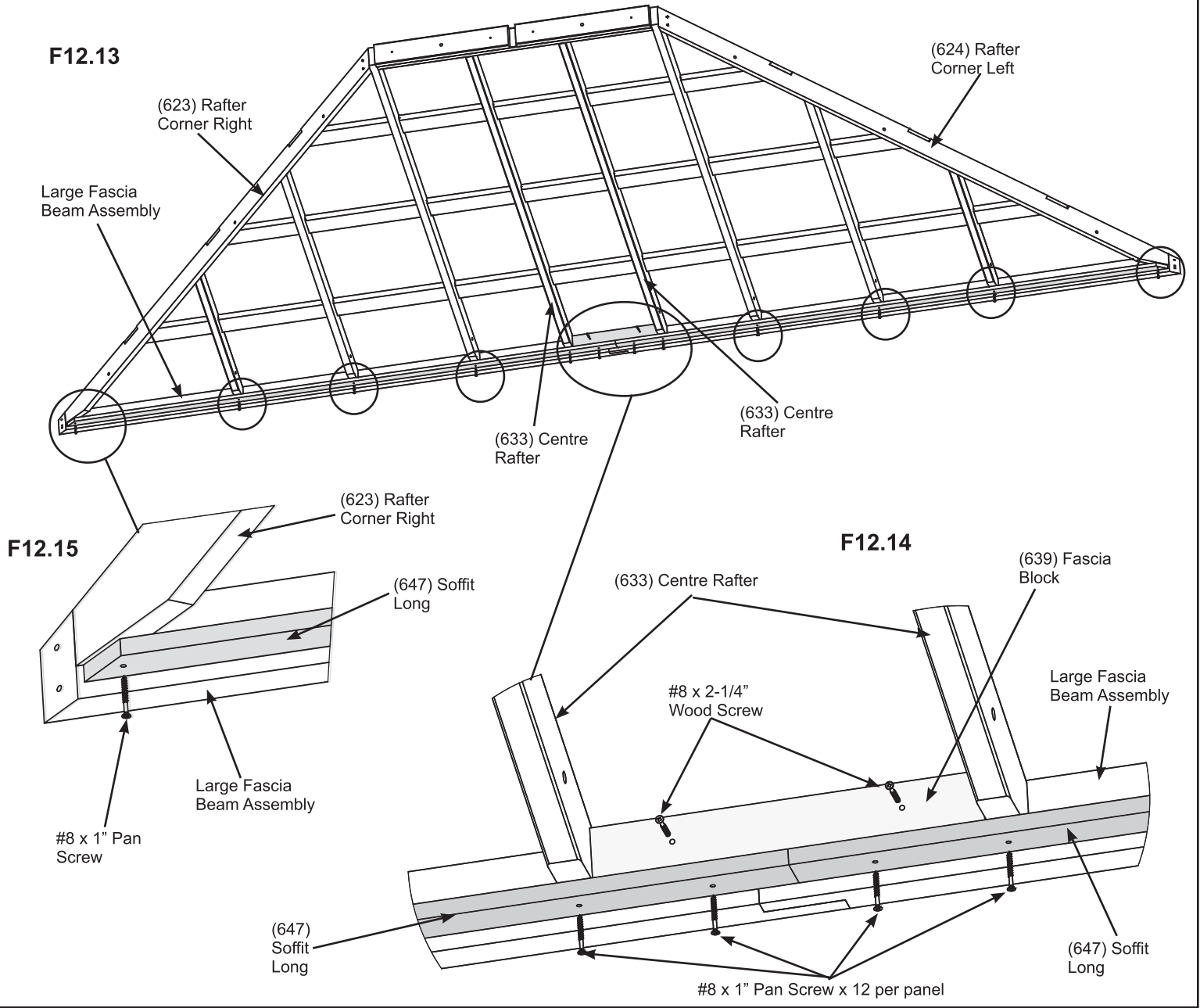
48 x #8 x 1-1/2" Wood Screw

Step 12: Large Roof Assembly Part 7

H: Turn over each Large Roof Assembly then place one (639) Fascia Block in between both (633) Centre Rafters, flush to the front of the Large Fascia Beam Assembly. Attach (639) Fascia Block to Large Fascia Assembly with two #8 x 2-1/4" Wood Screws. (F12.13 and F12.14)

I: Place two (647) Soffit Longs tight to the top Large Fascia Assembly so they meet tight together in the centre and are flush with the outside edges of (623) Rafter Corner Right and (624) Rafter Corner Left. Attach (647) Soffit Longs to each rafter and (639) Fascia Block with 12 #8 x 1" Pan Screws. (F12.13, F12.14 and F12.15)

J: Repeat Steps H and I for both Large Roof Assemblies.



Wood Parts

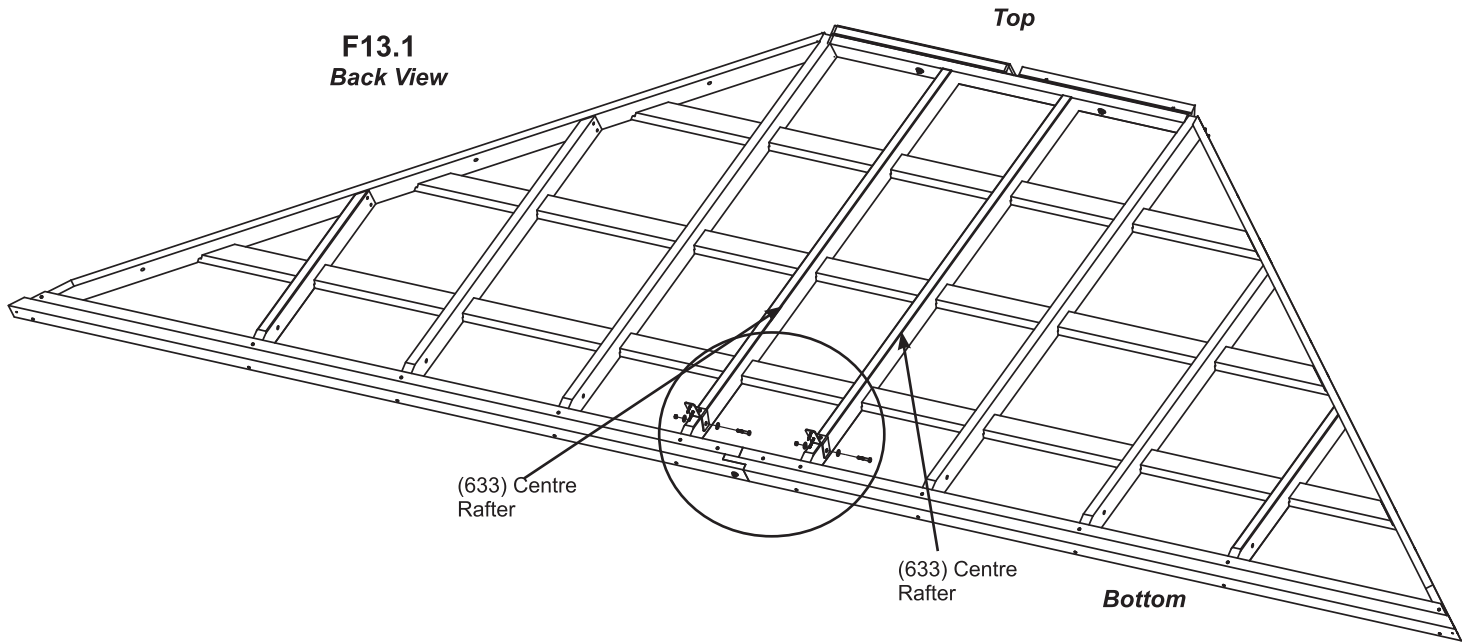
- 2 x (639) Fascia Block
- 4 x (647) Soffit Long

Hardware

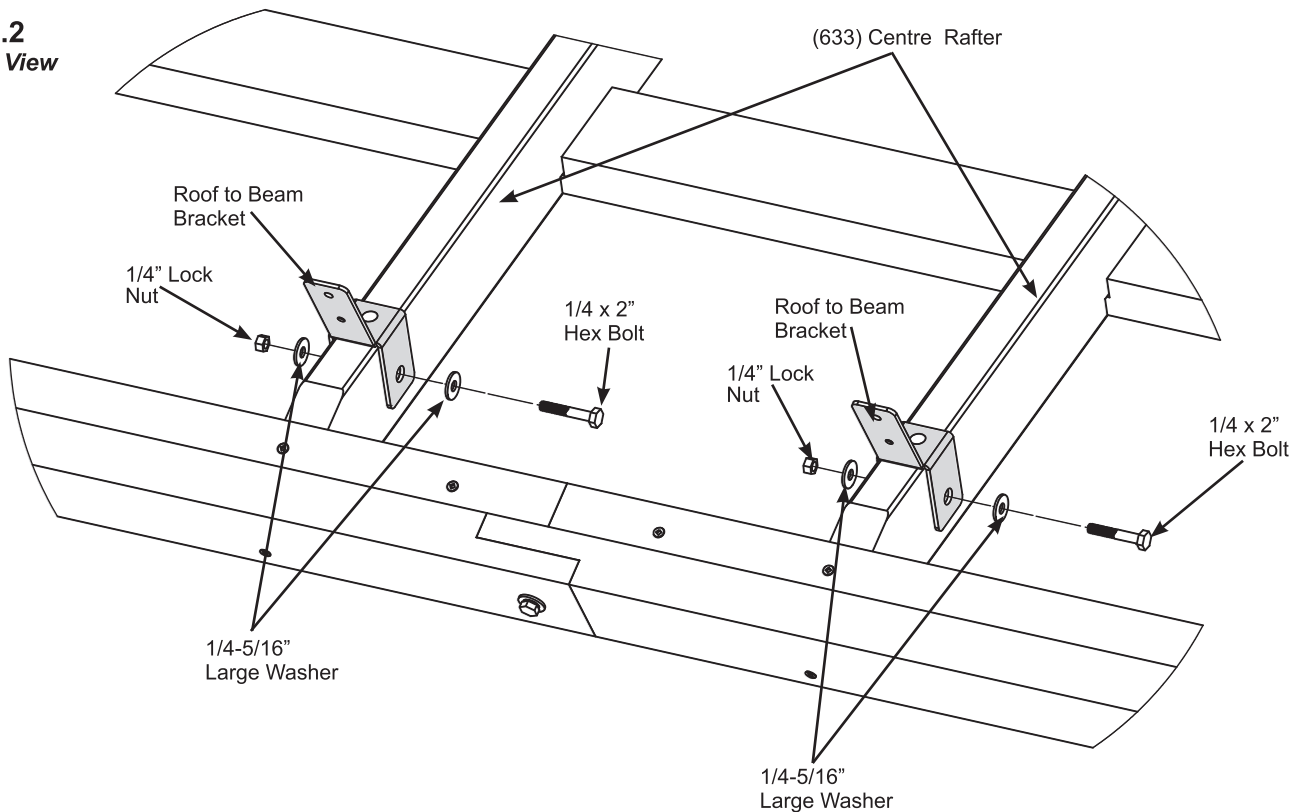
- 4 x #8 x 2-1/4" Wood Screw
- 24 x #8 x 1" Pan Screw

Step 13: Attach Roof to Beam Brackets - Large Roof Assembly

A: On the back of each Large Roof Assembly, through the bolt hole at the bottom of the board, loosely attach one Roof to Beam Bracket to each (633) Centre Rafter with one 1/4 x 2" Hex Bolt (with two 1/4-5/16" large washers and one 1/4" lock nut) per bracket. (F13.1 and F13.2)



F13.2
Back View



Components

4 x Roof to Beam Bracket

Hardware

4 x 1/4 x 2" Hex Bolt
(1/4-5/16" large washer x 2, 1/4" lock nut)

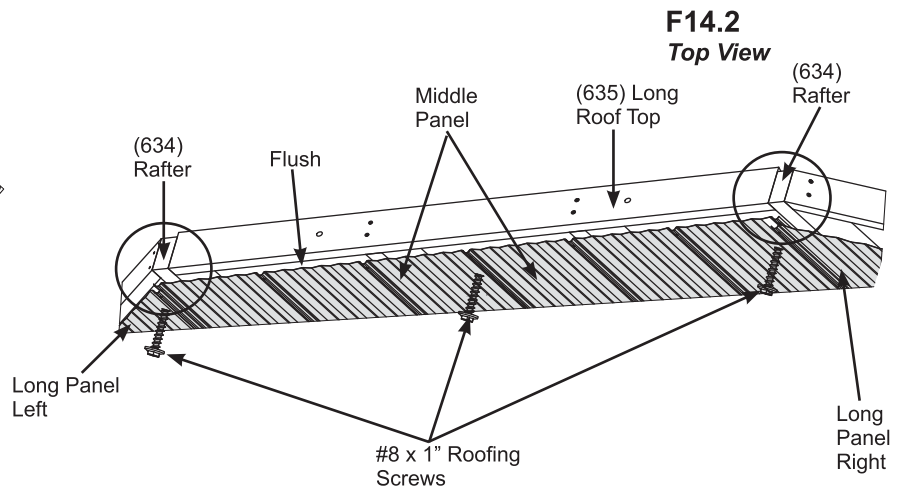
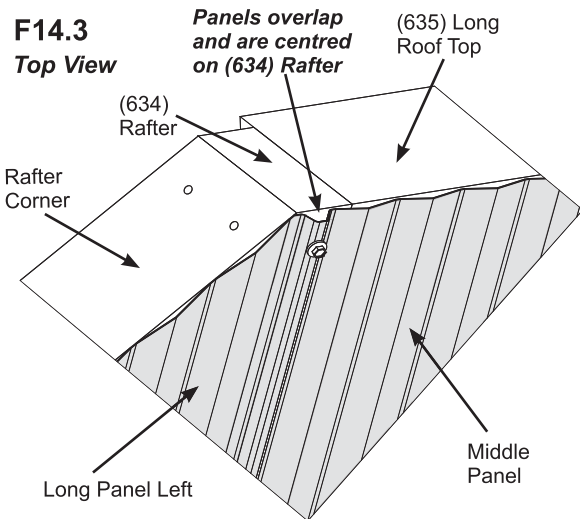
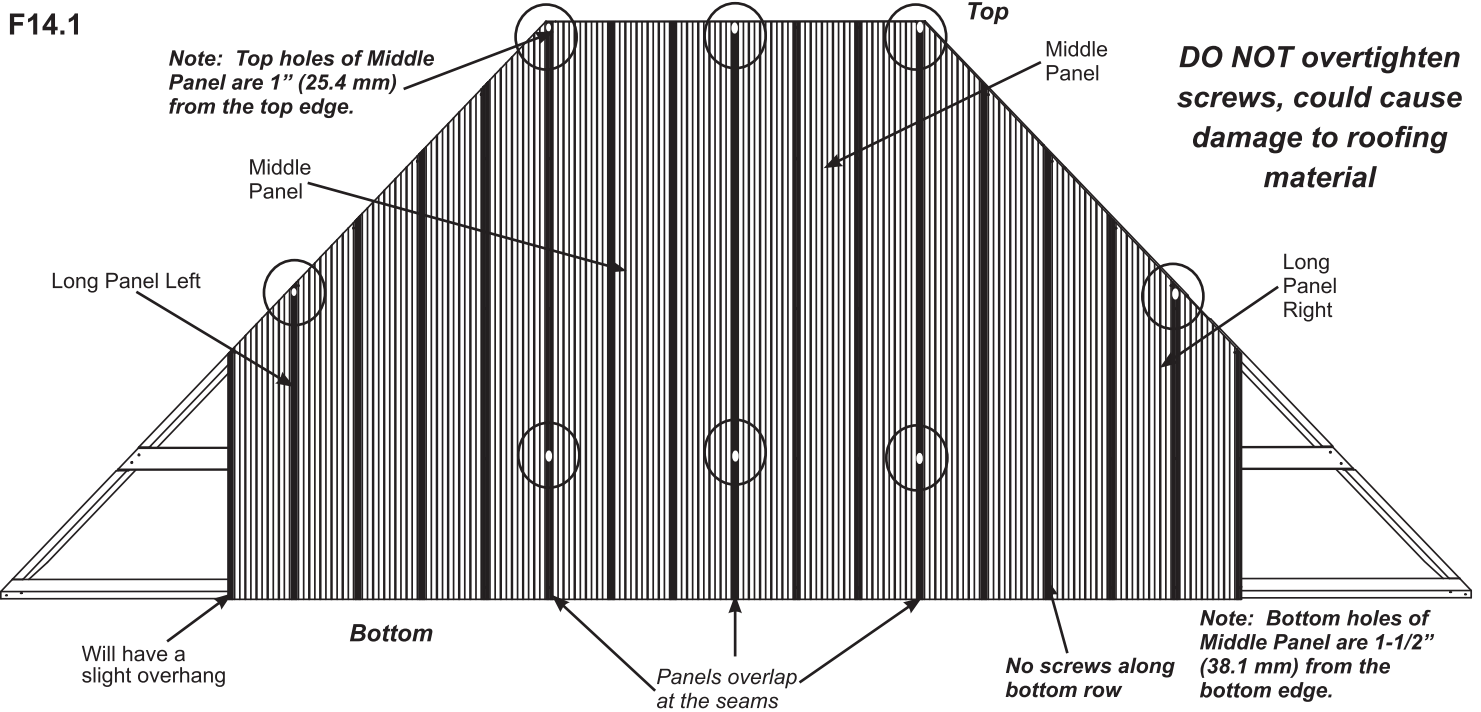
Step 14: Attach Roof Panels - Large Roof Assemblies Part 1



IMPORTANT! Before starting this step, be sure to refer back to pages 32 & 33 regarding correct installation and handling of the roofing.

A: Turn over Large Roof Assemblies. Place two Middle Panels flush to the top of (635) Long Roof Top. On each side of the Middle Panels place one Long Panel Left and one Long Panel Right. There will be an overhang at the bottom over Large Fascia Assembly but no overhang at the Corner Rafters. The panels overlap and screw holes line up as shown in F14.1, F14.2 and F14.3.

B: Make sure overlap seam of Middle Panels and Long Panel Left and Right are centred on each (634) Rafter. Attach with eight #8 x 1" Roofing Screw per Large Roof Assembly. (F14.1 and F14.3)



Roof Parts

- 4 x Middle Panel
- 2 x Long Panel Left
- 2 x Long Panel Right

Hardware

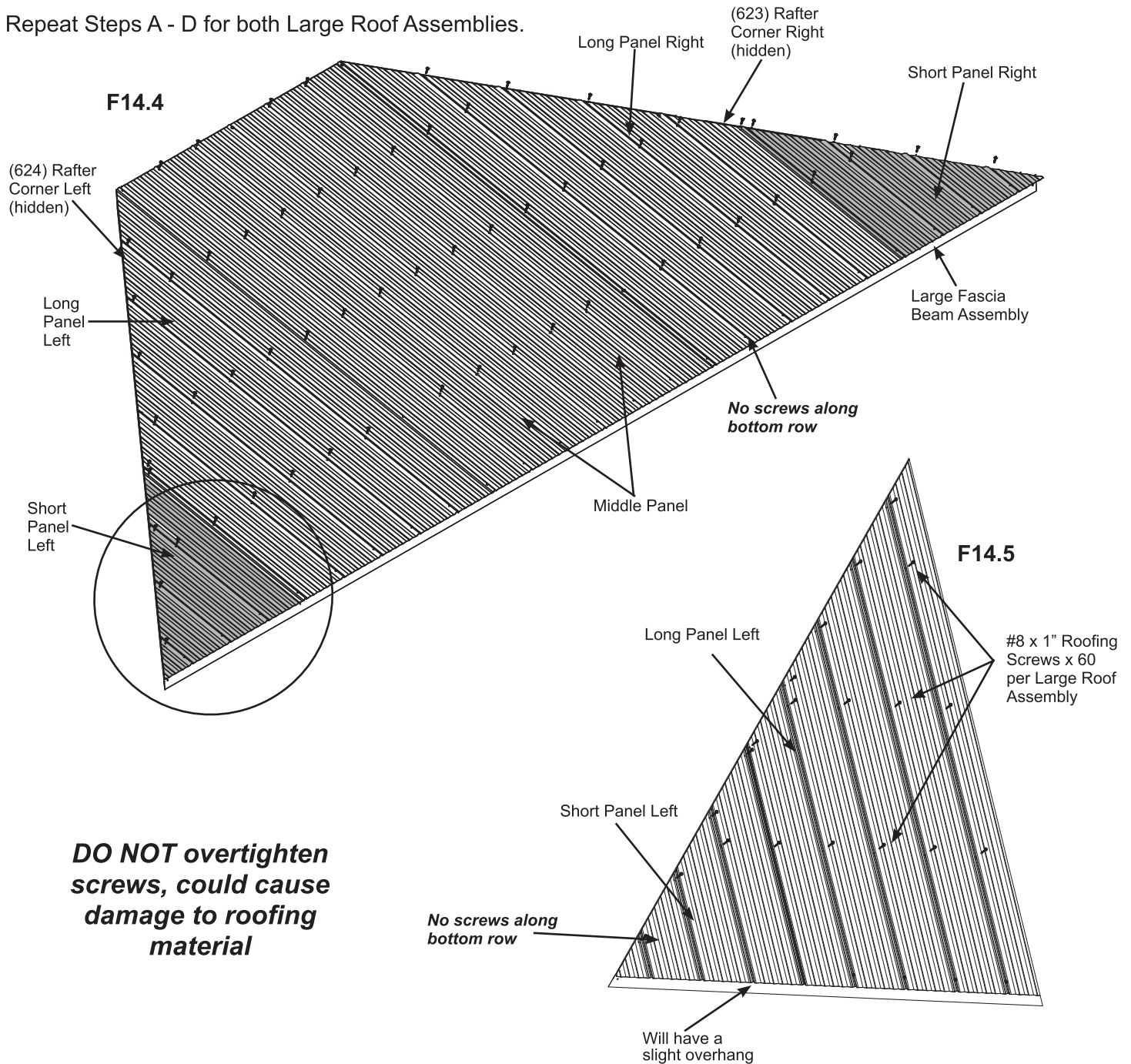
- 16 x #8 x 1" Roofing Screw

Step 14: Attach Roof Panels - Large Roof Assemblies Part 2

C: Place one Short Panel Left so it overlaps Long Panel Left and is flush to the side of (624) Rafter Corner Left. Place one Short Panel Right so it overlaps Long Panel Right and is flush to the side of (623) Rafter Corner Right. There will be a slight overhang at the bottom of the Large Fascia Beam Assembly. There should not be any overhang at the corners. (F14.4 and F14.5)

D: Make sure all panels fit properly then attach with 60 #8 x 1" Roofing Screws as shown in F14.4 and F14.5. Do not install screws along the bottom row or overtighten the screws.

E: Repeat Steps A - D for both Large Roof Assemblies.



Roof Parts

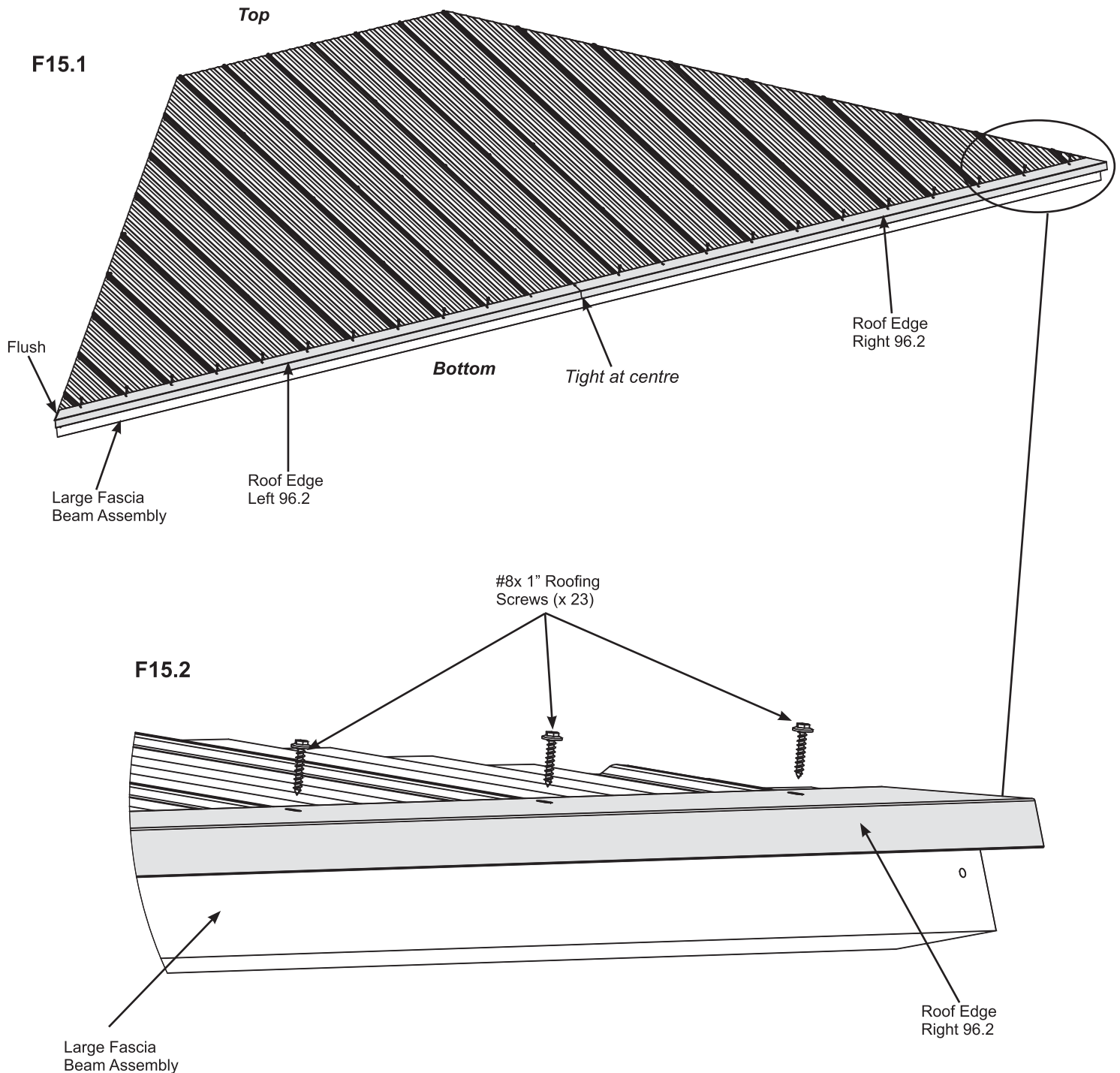
2 x Short Panel Left
2 x Short Panel Right

Hardware

120 x #8 x 1" Roofing Screw

Step 15: Attach Roof Edges - Large Roof Assemblies

A: Place one Roof Edge Left 96.2 and one Roof Edge Right 96.2 on the bottom of each Large Roof Assembly so the ends are flush with the outside ends of the Large Fascia Beam Assembly and meet tight in the centre. Attach both Roof Edges with 23 #8 x 1" Roofing Screws per Large Roof Assembly. (F15.1 and F15.2)



Components:

2 x Roof Edge Right 96.2
2 x Roof Edge Left 96.2

Hardware

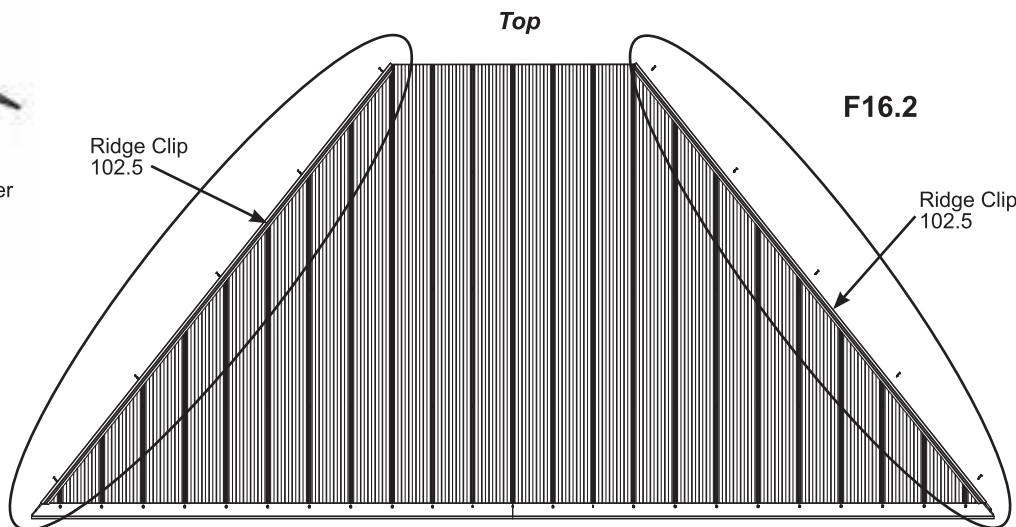
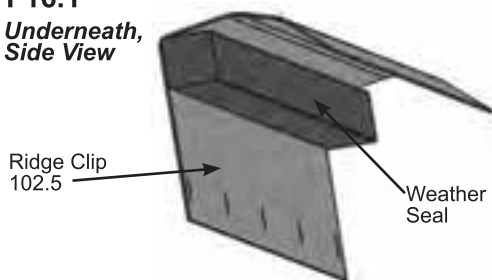
46 x #8 x 1" Roofing Screw

Step 16: Attach Ridge Clips - Large Roof Assemblies

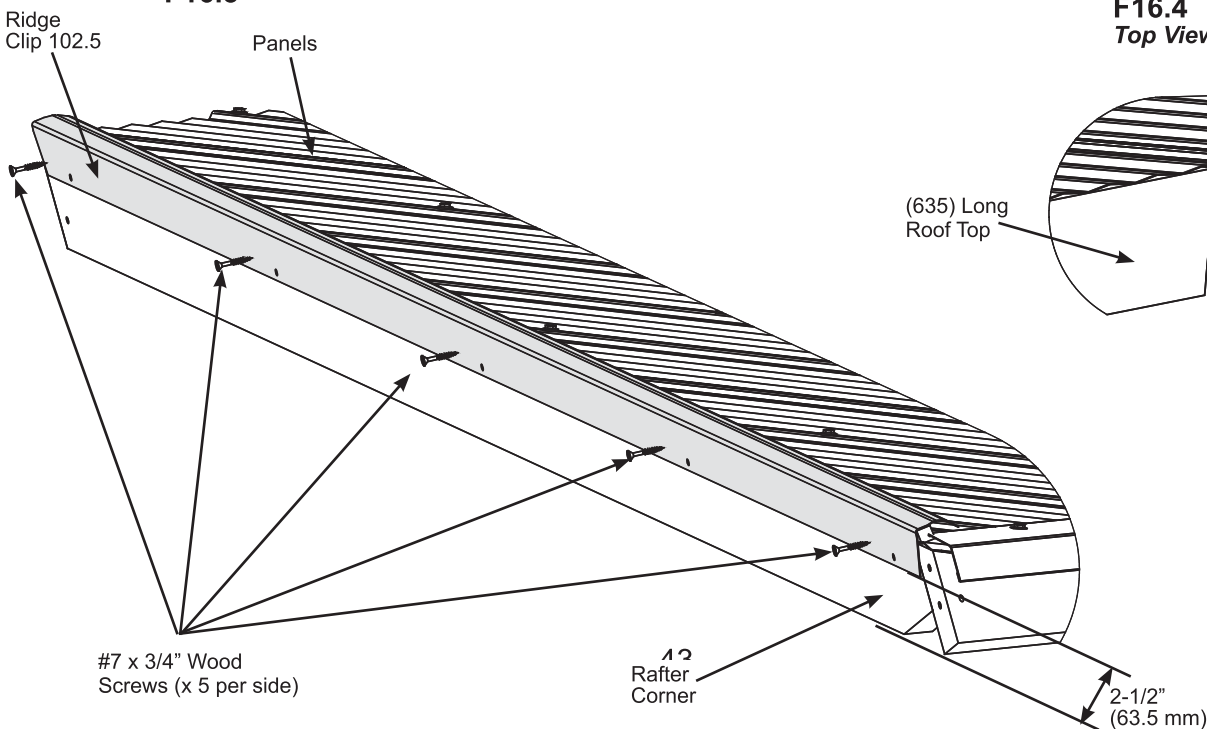


A: Place one Weather Seal on the inside of four Ridge Clip 102.5 then place one Ridge Clip 102.5 on each side of each Large Roof Assembly so they cover the panels and are flush to the tops of (623) Rafter Corner Right and (624) Rafter Corner Left. The bottom edge of each Ridge Clip 102.5 should be 2-1/2" (63.5 mm) up from the bottom edge of (623) Rafter Corner Right and (624) Rafter Corner Left. Attach with five #7 x 3/4" Wood Screws per Ridge Clip 102.5. (F16.1, F16.2, F16.3 and F16.4)

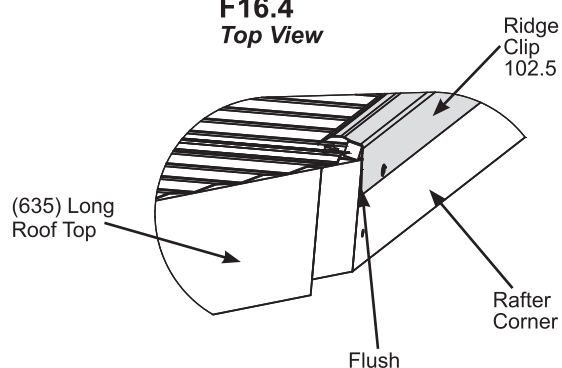
F16.1
*Underneath,
Side View*



F16.3



F16.4
Top View



Components:

- 4 x Ridge Clip 102.5
- 4 x Weather Seal

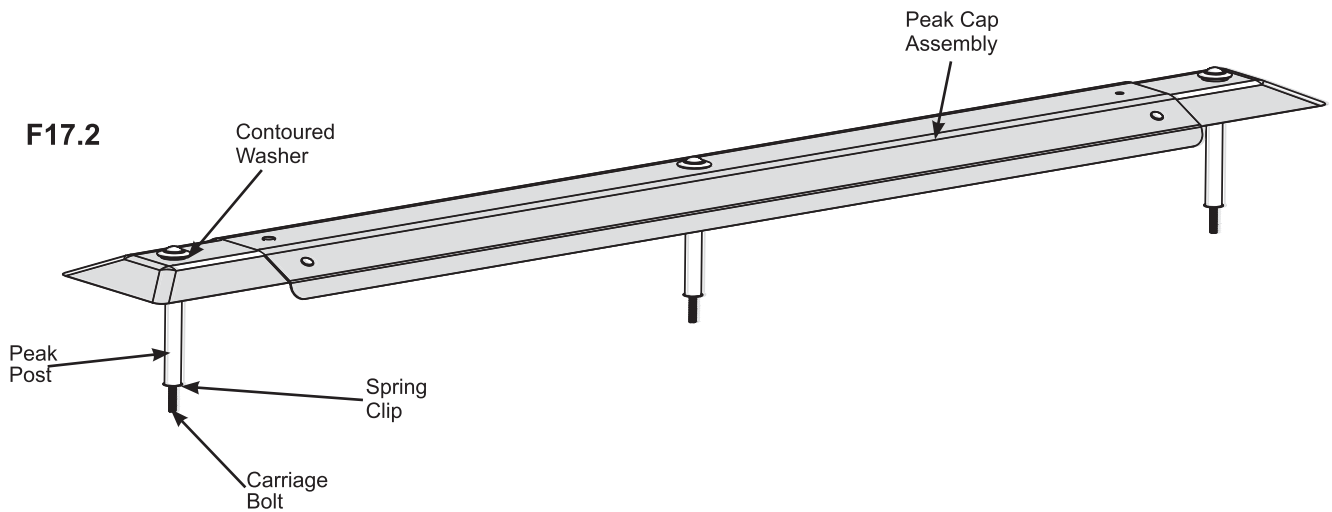
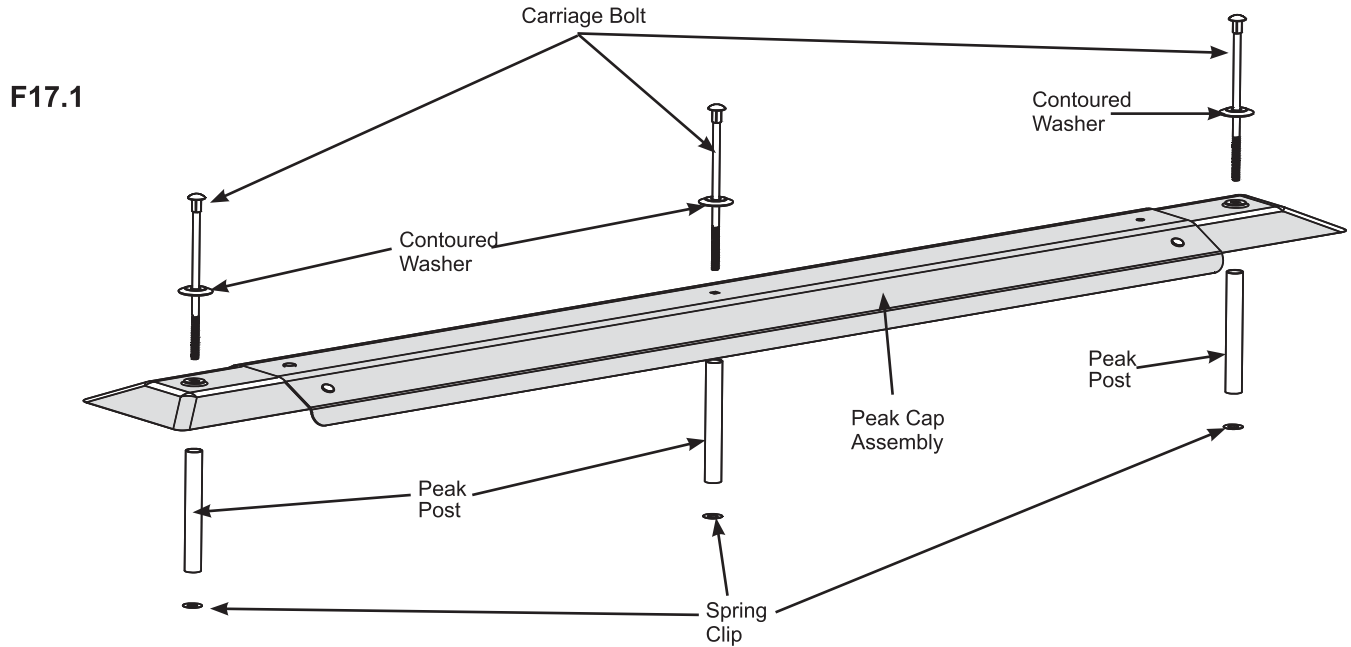
Hardware

- 20 x #7 x 3/4" Wood Screw

Step 17: Peak Cap Assembly



A: Insert three Carriage Bolts with Contoured Washers through the top of Peak Cap Assembly. Place one Peak Post over each Carriage Bolt and secure with Spring Clips. The Spring Clip holds the assembly together. (F17.1 and F17.2)



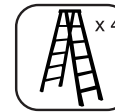
Components:

1 x Peak Cap Assembly

Hardware

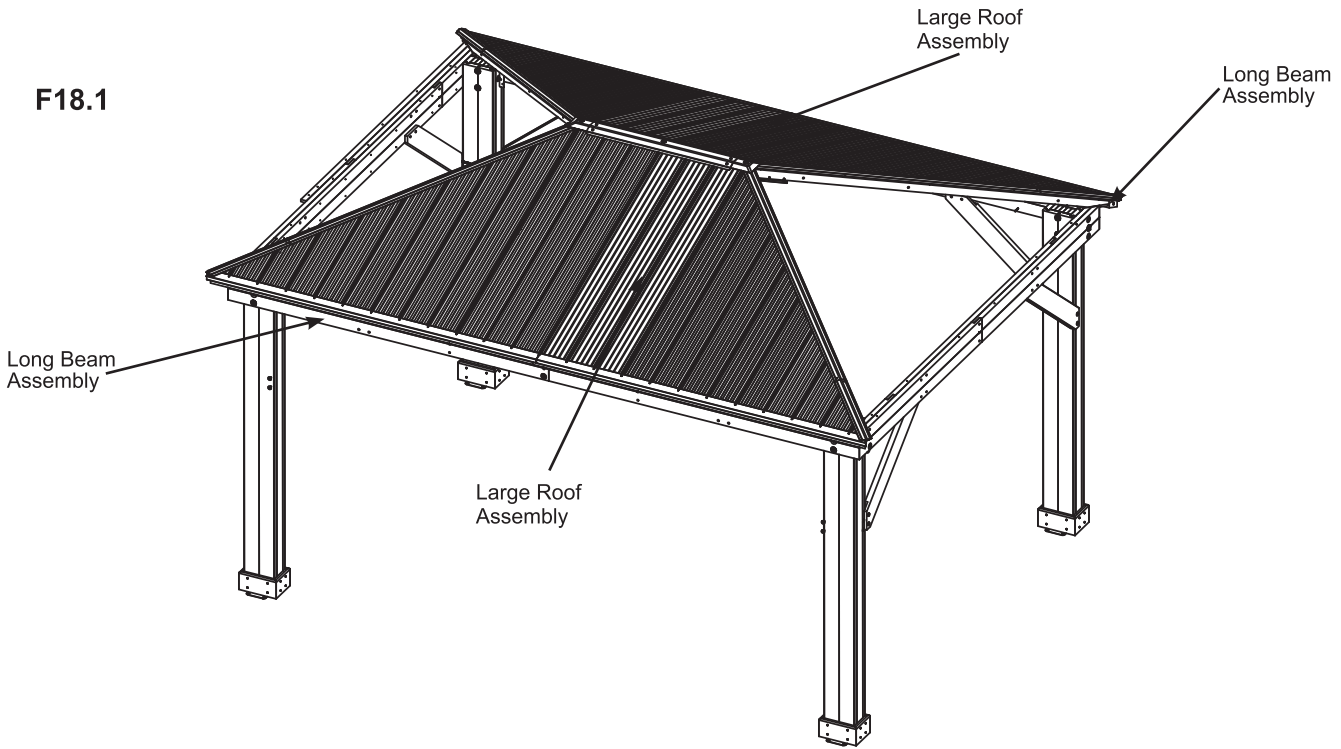
- 3 x Carriage Bolt
- 3 x Contoured Washer
- 3 x Peak Post
- 3 x Spring Clip

Step 18: Attach Large Roof Assemblies to Frame Part 1

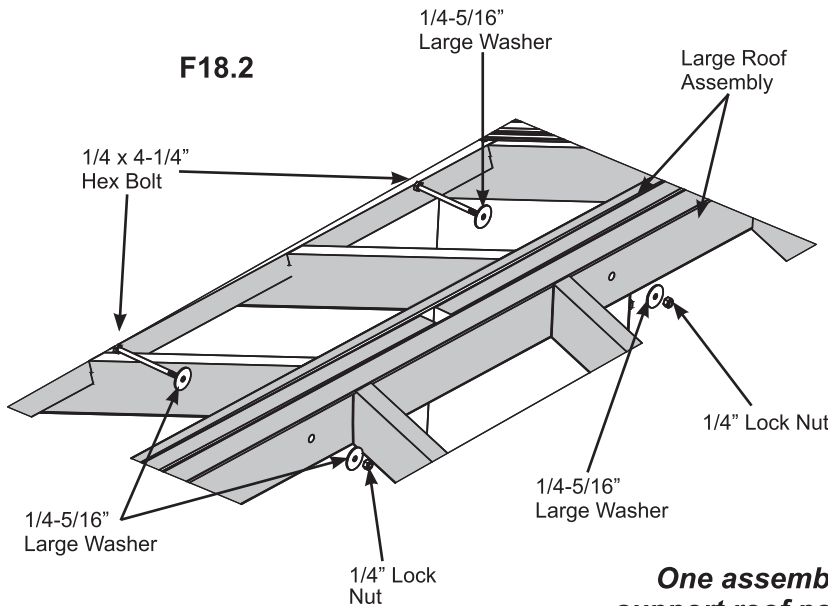


A: With all five assemblers lift Large Roof Assembly with (645) Spacers up so it is centred on the Long Beam Assembly. With an assembler holding the first Large Roof Assembly in place lift the second Large Roof Assembly on the opposite Long Beam Assembly. Loosely attach Large Roof Assemblies at the top with two 1/4 x 4-1/4" Hex Bolts (with two 1/4-5/16" large washers and one 1/4" lock nut). The bottom of the Rafter Corners should be aligned with the mitre of the Beam Assemblies (F18.1, F18.2 and F18.3)

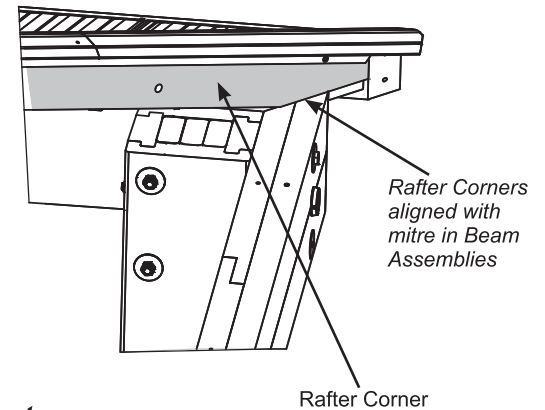
F18.1



F18.2



F18.3



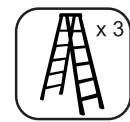
One assembler to support roof panel(s) at all times until secure

Parts removed for clarity

Hardware

2 x 1/4 x 4-1/4" Hex Bolt
(1/4-5/16" large washer x 2, 1/4" lock nut)

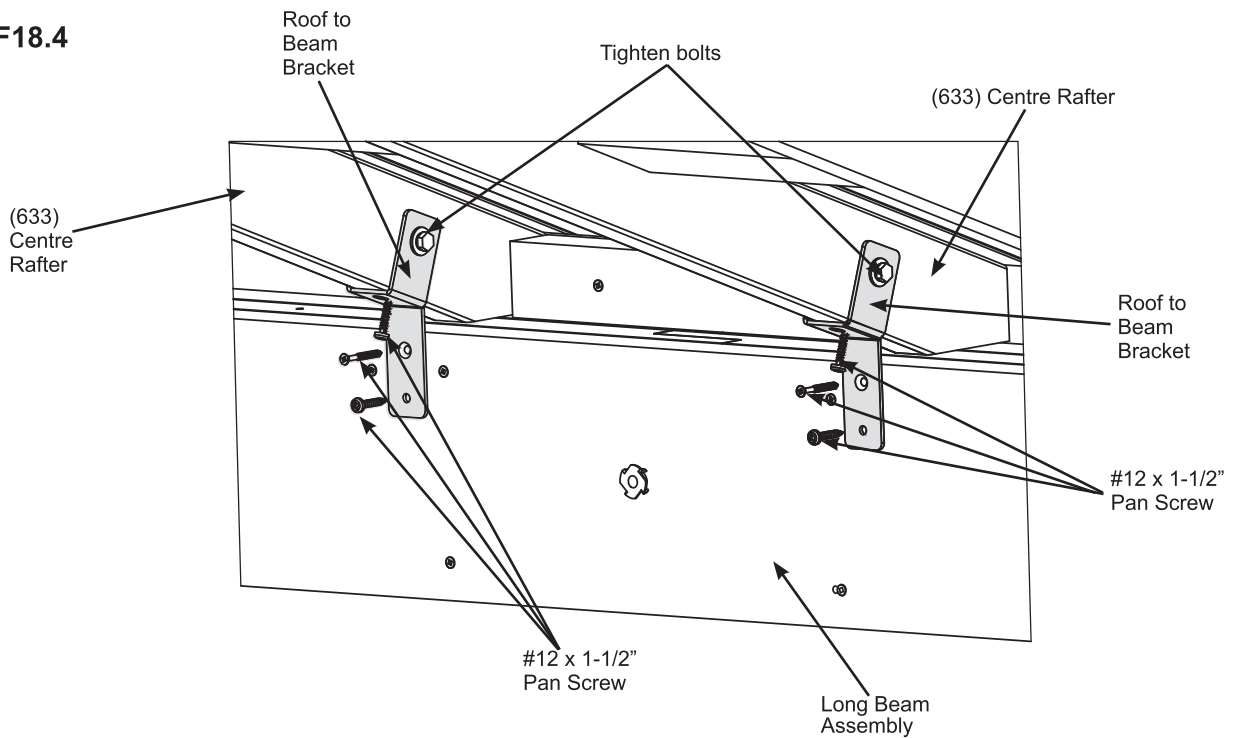
Step 18: Attach Large Roof Assemblies to Frame Part 2



B: From the outside of the assembly have one person push one Large Roof Assembly in so (648) Soffit fits tight to the Long Beam Assembly and two people pushing up at the peak. One person fastens each Roof to Beam Bracket to (633) Centre Rafters then to the Long Beam Assemblies with three #12 x 1-1/2" Pan Screws. Install top screw into (633) Centre Rafter first then other two into the beam. Tighten bracket bolts. Repeat this process for the second Large Roof Assembly. (F18.4)

Note: Make sure corners are tight and flush prior to attaching screws.

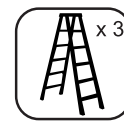
F18.4



Hardware

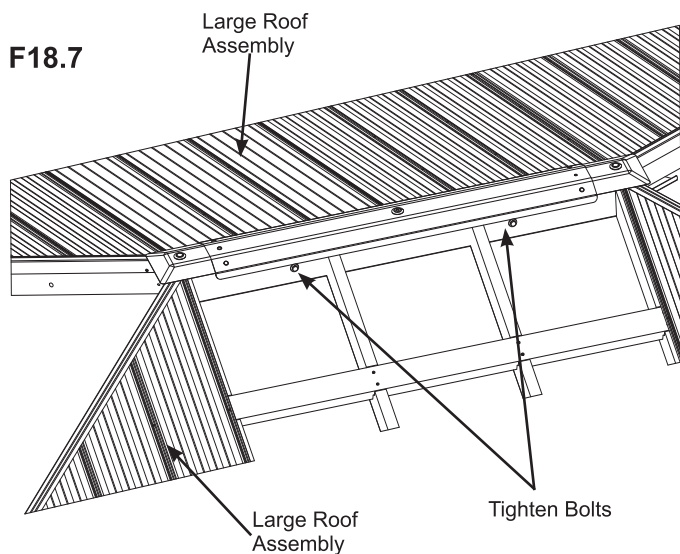
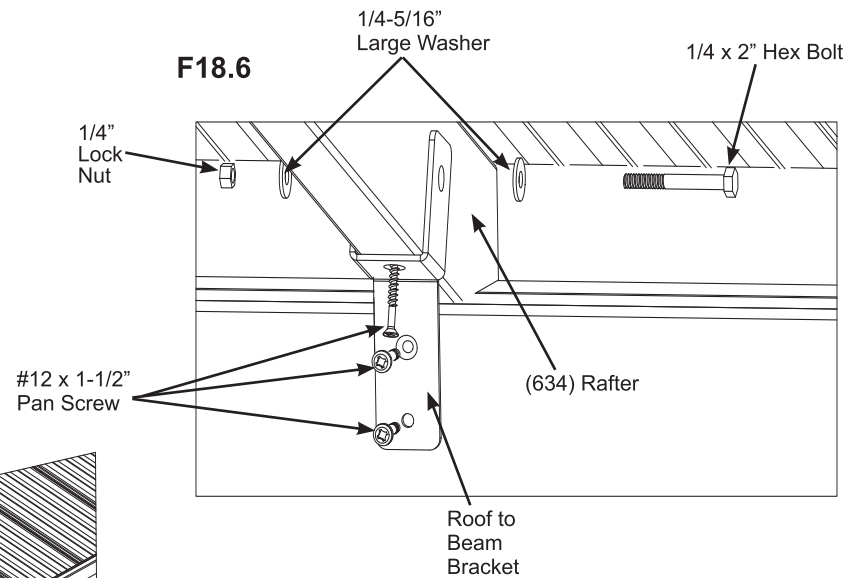
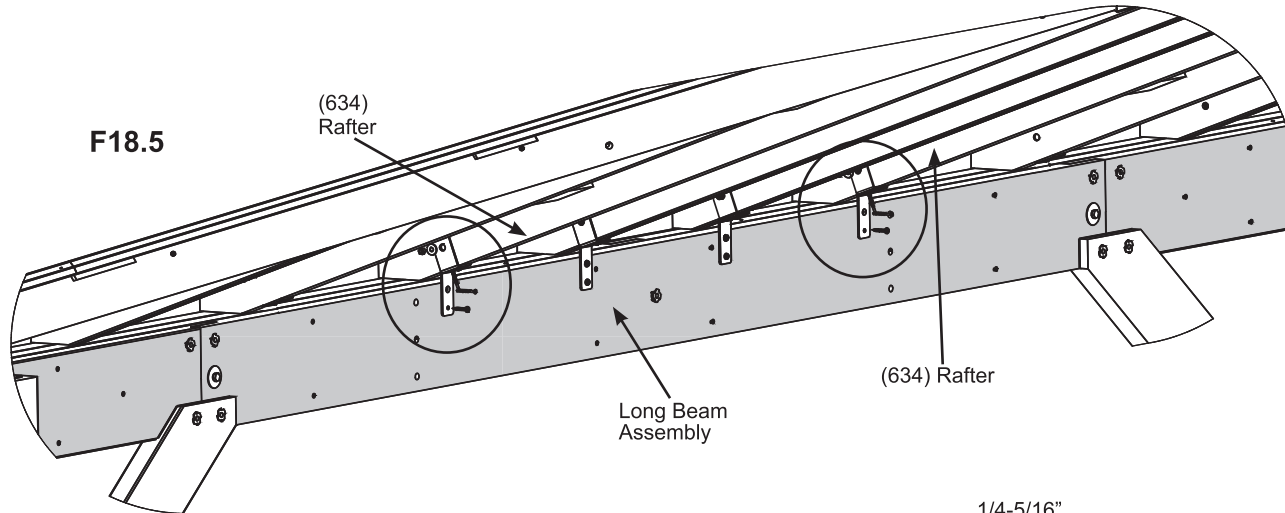
12 x #12 x 1-1/2" Pan Screw

Step 18: Attach Large Roof Assemblies to Frame Part 3



C: Attach one Roof to Beam Bracket to each (634) Rafter on both Large Roof Assemblies with one 1/4 x 2" Hex Bolt (with two 1/4-5/16" large washers and one 1/4" lock nut) and three #12 x 1-1/2" Pan Screws, per bracket. (F18.5 and F18.6)

D: Tighten both bolts which join Large Roof Assemblies. (F18.7)



Components

4 x Roof to Beam Bracket

Hardware

12 x #12 x 1-1/2" Pan Screw

4 x 1/4 x 2" Hex Bolt
(1/4-5/16" large washer x 2, 1/4" lock nut)

Step 18: Attach Large Roof Assemblies to Frame Part 4

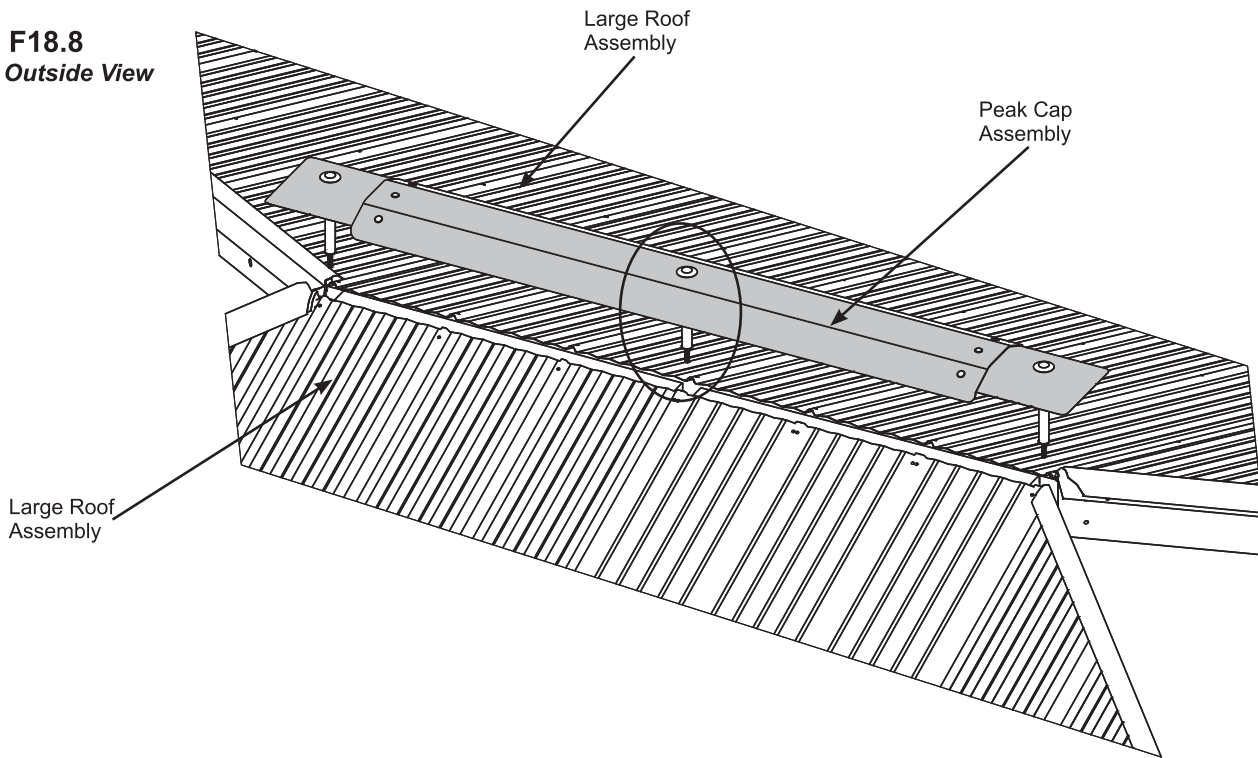


E: With one person on each end of the roof place Peak Cap Assembly on top of Large Roof Assemblies so Carriage bolts with Peak Post fit through gaps between the roof assemblies. (F18.8)

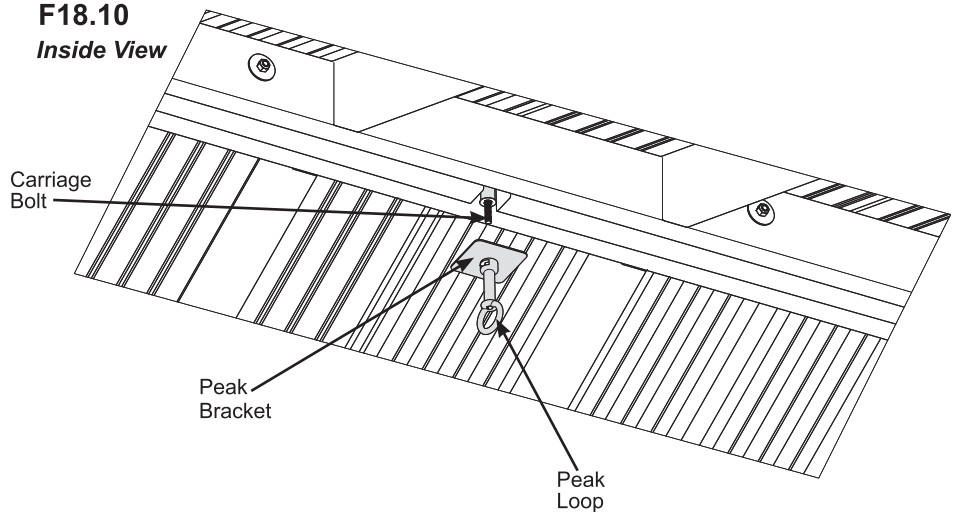
F: Insert one 1/4" Nut into one Peak Loop. Be careful nut is loose and will fall out until attached to Carriage Bolt. (F18.9)

G: Place one Peak Bracket over the middle Carriage Bolt then attach Peak Loop to Carriage Bolt and twist to tighten. (F18.10)

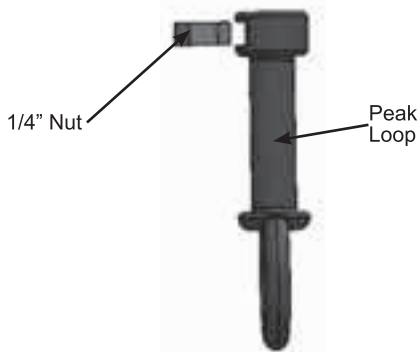
F18.8
Outside View



F18.10
Inside View



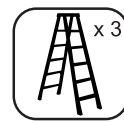
F18.9



Components:

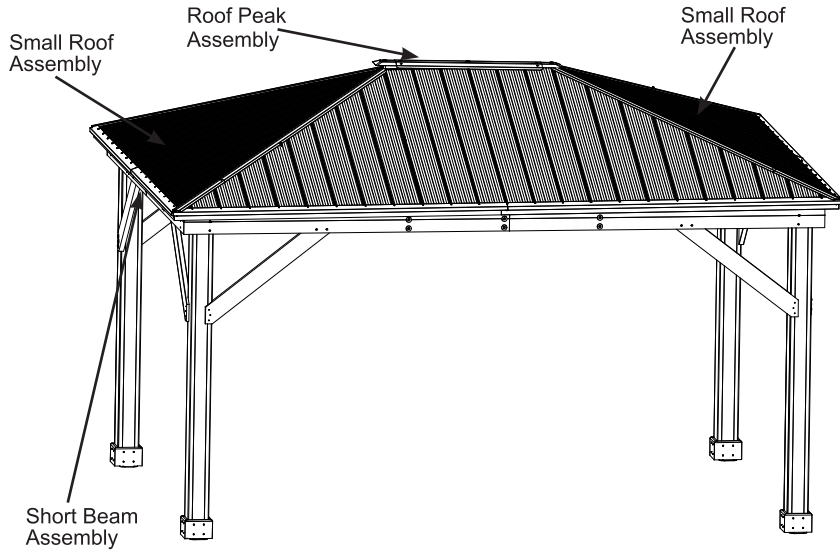
- 1 x Peak Loop
- 1 x 1/4" Nut
- 1 x Peak Bracket

Step 19: Attach Small Roof Assemblies to Frame

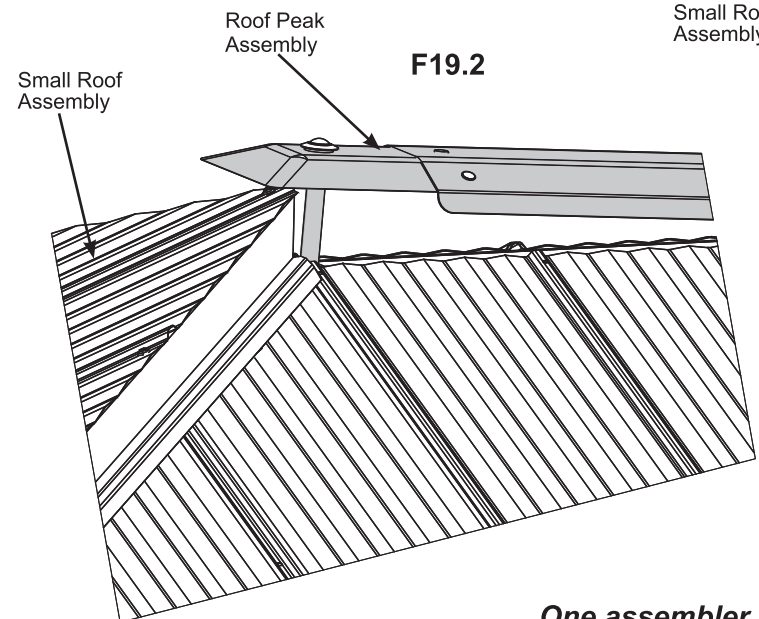


A: With all four assemblers lift one Small Roof Assembly up and over the Short Beam Assembly. You will need to lift the Roof Peak Assembly to get the top under it. Loosely attach each (623) Rafter Corner Right to each (624) Rafter Corner Left with three 1/4 x 2-3/4" Hex Bolts (with two 1/4-5/16" large washers and one 1/4" lock nut) per side. To align bolt holes helper in the centre may have to push up the centre of the panels and others make sure corners are aligned. Make sure all bolts are tight. Joining rafters must be flush on the inside. (F19.1, F19.2 and F19.3)

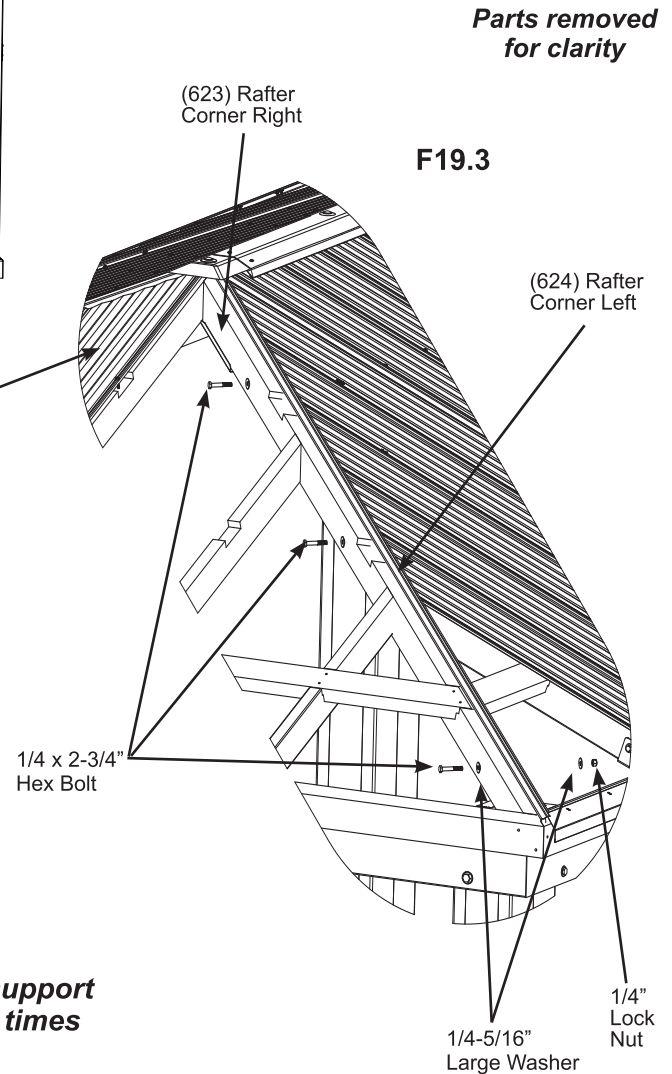
B: Repeat Step A for second Small Roof Assembly.



F19.1



F19.2



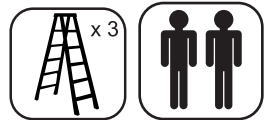
F19.3

One assembler to support roof panel(s) at all times until secure

Hardware

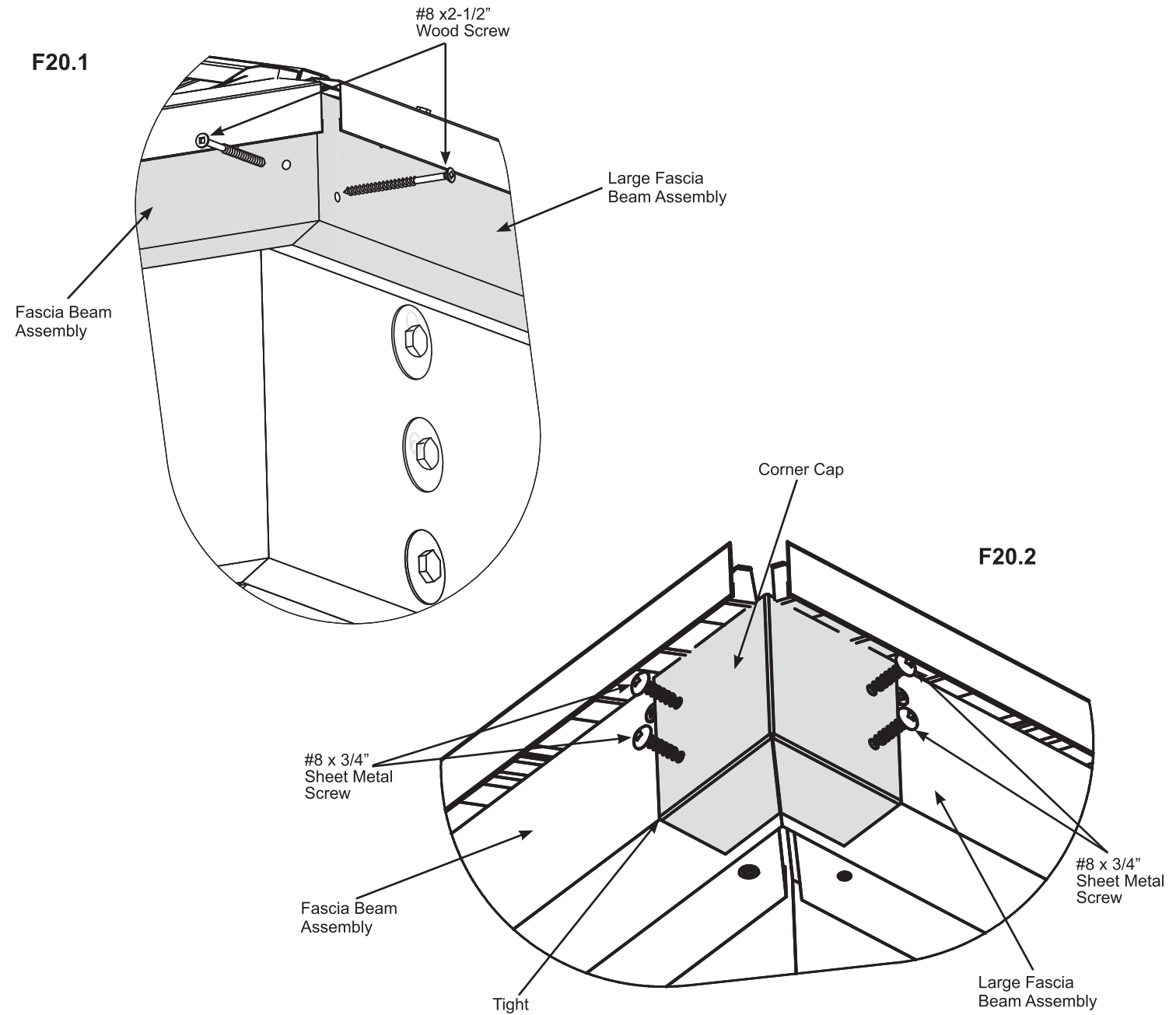
12 x 1/4 x 2-3/4" Hex Bolt
(1/4-5/16" large washer x 2, 1/4" lock nut)

Step 20: Secure Roof Corners



A: From outside the assembly attach Small Roof Assemblies and Large Roof Assemblies together at the Fascia Beam Assembly and Large Fascia Beam Assembly with two #8 x 2-1/2" Wood Screws per corner. A helper may need to lift the centre of the roof to bring the corners tight together. (F20.1)

B: At each corner place one Corner Cap tight to Fascia Assemblies and Large Fascia Assemblies, push up so the bottom is tight to the bottom of the fascia then attach with four #8 x 3/4" Sheet Metal Screws per Corner Cap. (F20.2)



Components:

4 x Corner Cap

Hardware

8 x #8 x 2-1/2" Wood Screw

16 x #8 x 3/4" Sheet Metal Screw

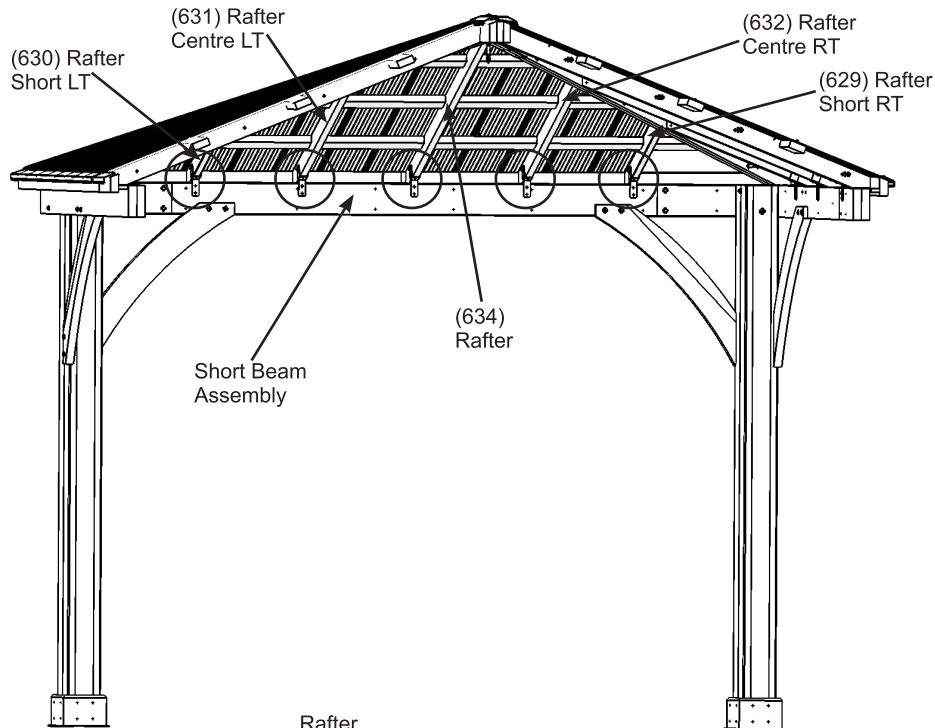
Step 21: Attach Roof to Beam Brackets - Small Roof Assembly

A: On each Small Roof Assembly, through the bolt hole at the bottom of the board, loosely attach one Roof to Beam Bracket to each rafter with one 1/4 x 2" Hex Bolt (with two 1/4-5/16" large washers and one 1/4" lock nut) per bracket. (F21.1 and F21.2)

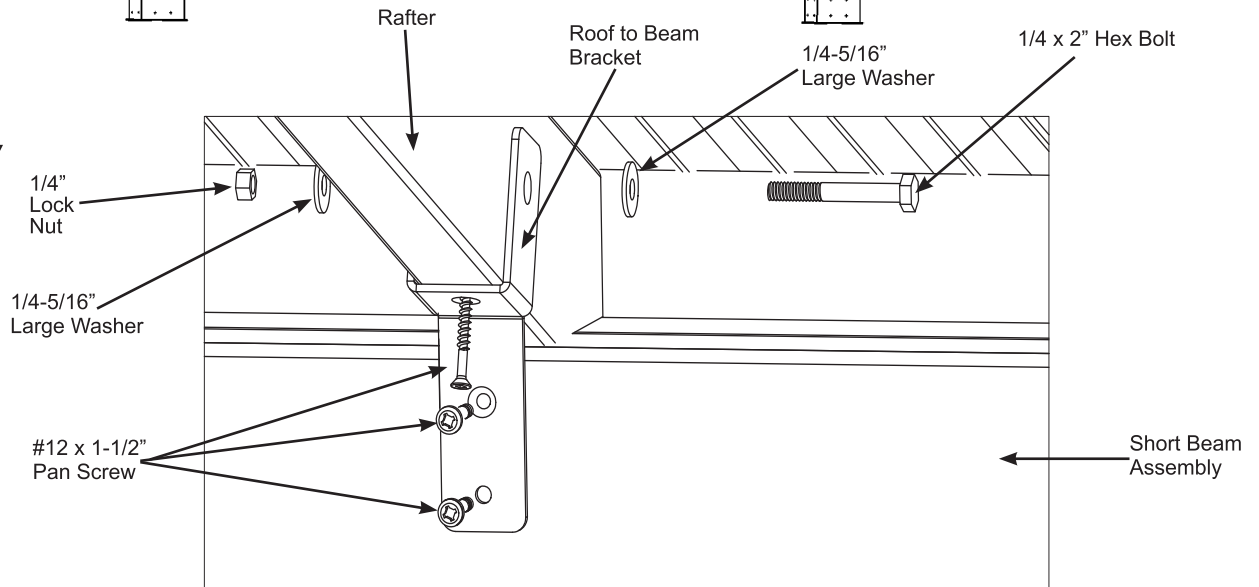
B: Push panels up from the outside and inside top to make sure each (648) Soffit is tight to the Short Beam Assemblies then fasten each Roof to Beam Bracket with three #12 x 1-1/2" Pan Screws per bracket. Install top screw into the rafter first then install the other two into the beam. Slight gaps are normal. (F21.1 and F21.2)

C: Tighten all Roof to Beam Bracket bolts in both Small Roof Assemblies.

F21.1
Inside View



F21.2
Inside View



Components

10 x Roof to Beam Bracket

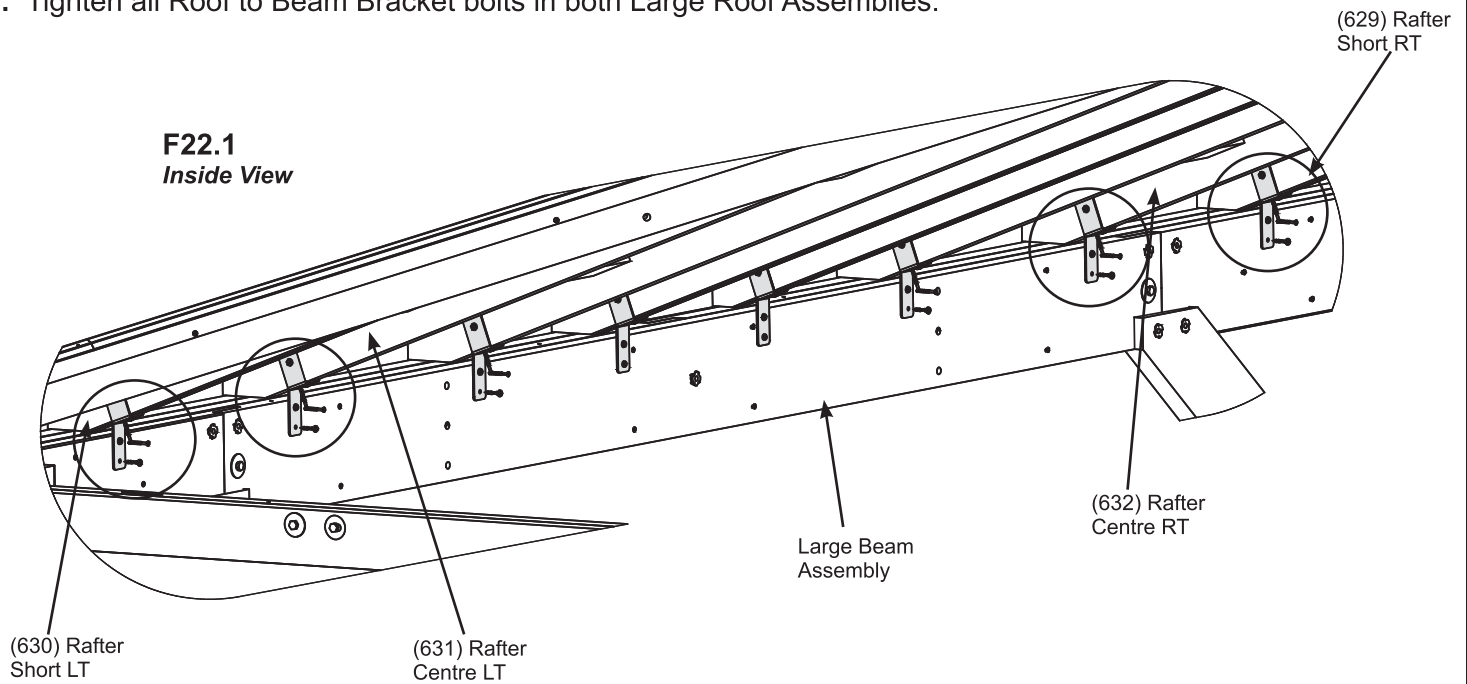
Hardware

10 x 1/4 x 2" Hex Bolt
(1/4-5/16" large washer x 2, 1/4" lock nut)
30 x #12 x 1-1/2" Pan Screw

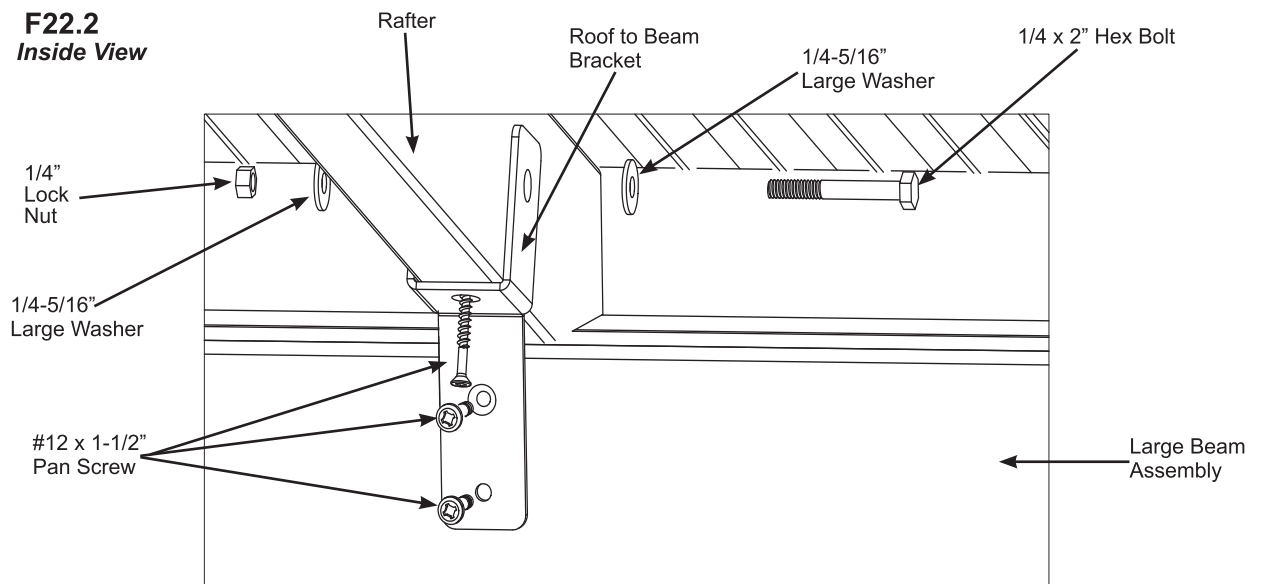
Step 22: Attach Roof to Beam Brackets - Large Roof Assembly

A: On both Large Roof Assemblies, through the bolt hole at the bottom of the board, loosely attach one Roof to Beam Bracket to each (629) Rafter Short RT, (630) Rafter Short LT, (631) Rafter Centre LT and (632) Rafter Centre RT with one 1/4 x 2" Hex Bolt (with two 1/4-5/16" large washers and one 1/4" lock nut) and three #12 x 1-1/2" Pan Screws per bracket. Install top screw into the rafter first then install the other two into the beam. (F22.1 and F22.2)

B: Tighten all Roof to Beam Bracket bolts in both Large Roof Assemblies.



F22.2
Inside View



Components

8 x Roof to Beam Bracket

Hardware

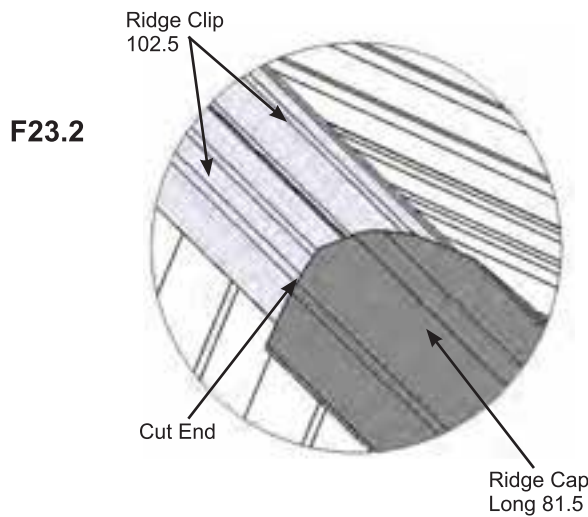
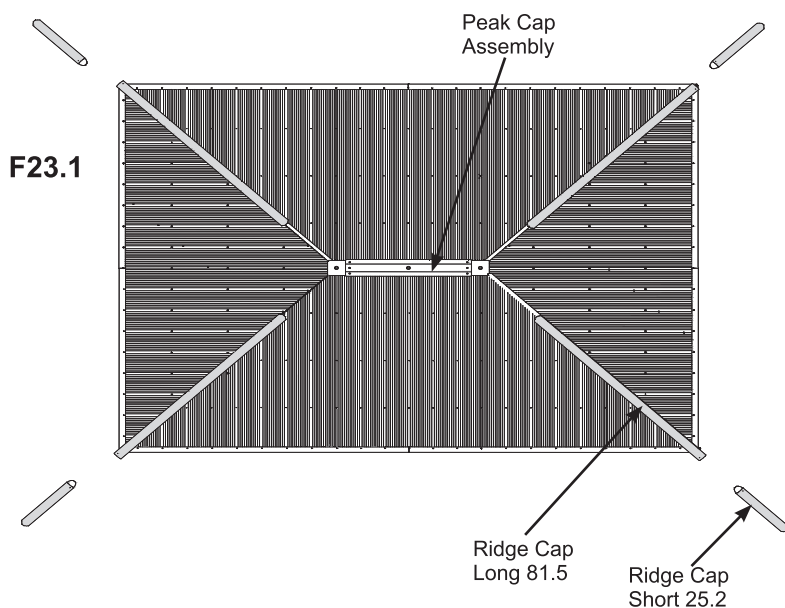
8 x 1/4 x 2" Hex Bolt
(1/4-5/16" large washer x 2, 1/4" lock nut)
24 x #12 x 1-1/2" Pan Screw

Step 23: Attach Ridge Caps to Roof Panels

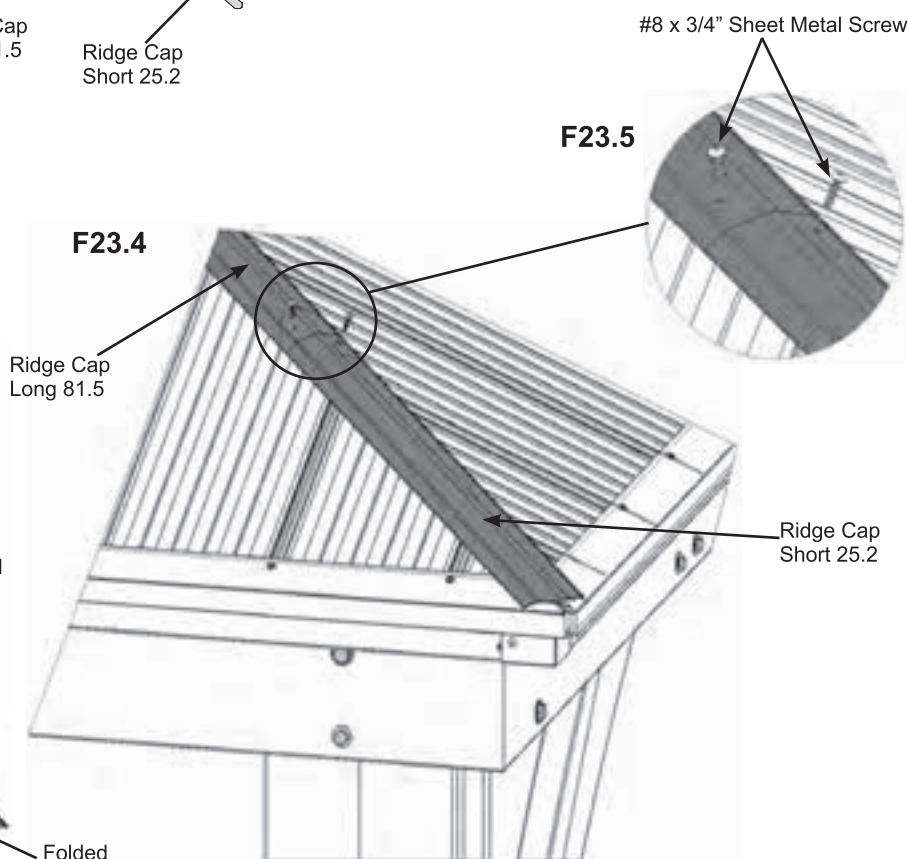
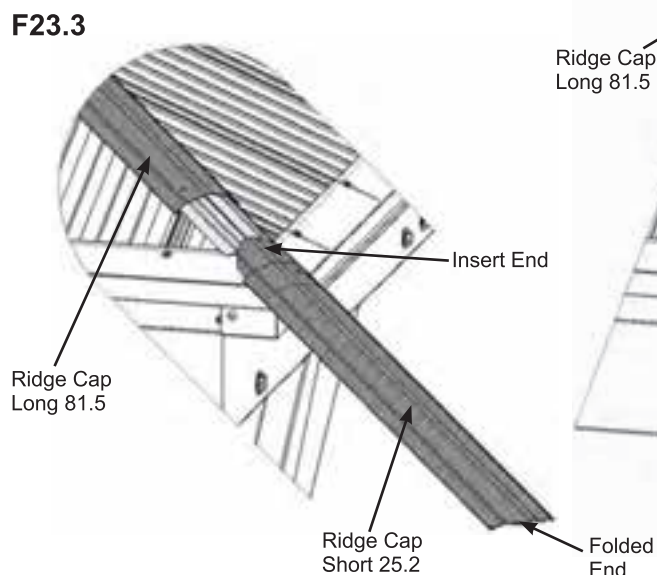


A: At each corner, slide one Ridge Cap Long 81.5 over the Ridge Clips, from the bottom up with cut end leading. (F23.1 and F23.2)

B: Slide Ridge Cap Short 25.2 over the Ridge Clips leading with the insert end to push the Ridge Cap Long 81.5 to the top, lifting Peak Cap Assembly so Ridge Cap Long 81.5 fit under. Attach with two #8 x 3/4" Sheet Metal Screws per Ridge Cap set. (F23.1, F23.3, F23.4 and F23.5)



Note: To help Ridge Caps slide on easier use a lubricant such as liquid soap.



Components:

- 4 x Ridge Cap Long 81.5
- 4 x Ridge Cap Short 25.2

Hardware

- 8 x #8 x 3/4" Sheet Metal Screw

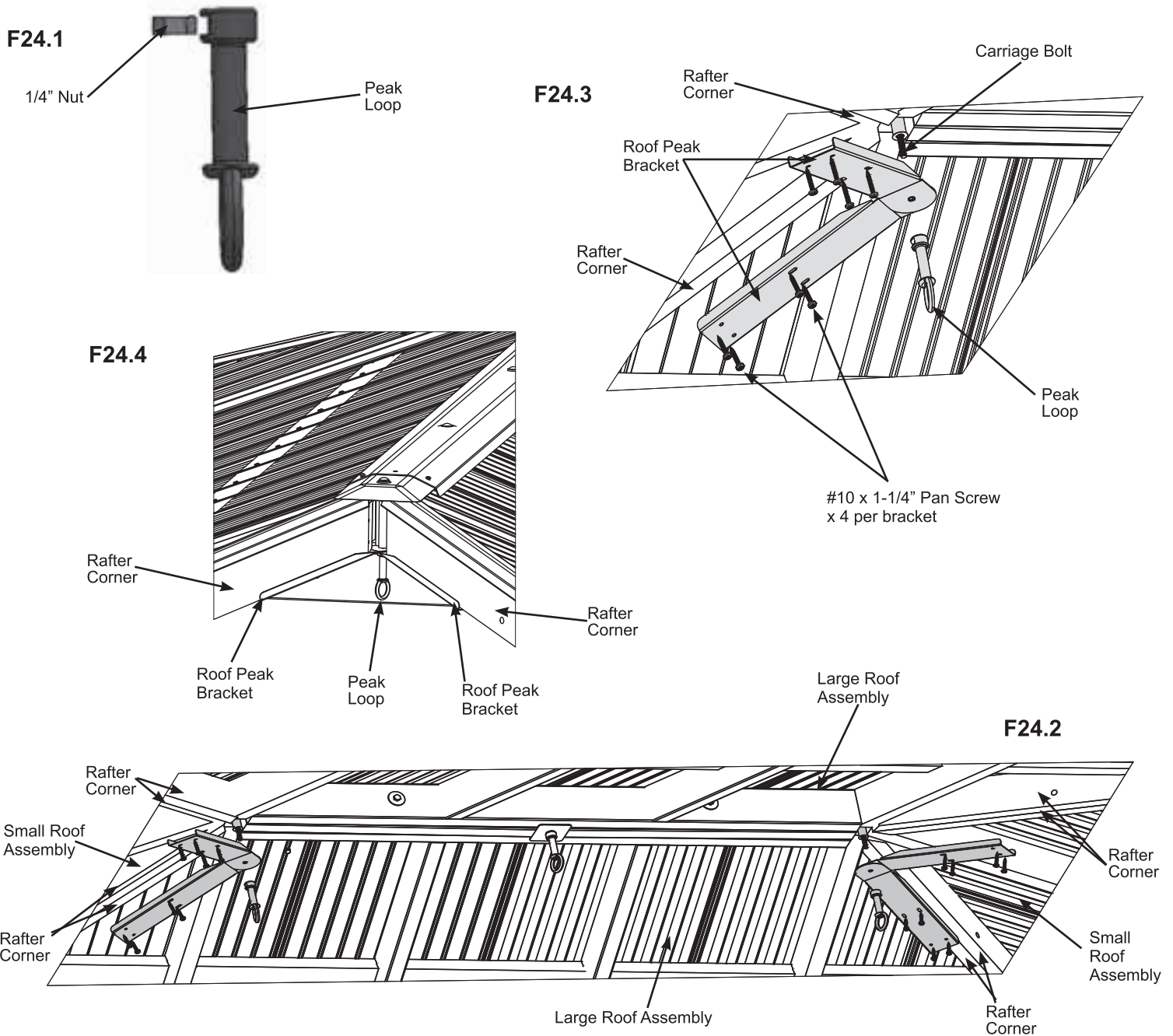
Step 24: Secure Roof Peak Detail



A: Insert one 1/4" Nut into two Peak Loops. Be careful nut is loose and will fall out until attached to Carriage Bolt. (F24.1)

B: Insert two Roof Peak Brackets through each end Carriage Bolt, so they fit over the Rafter Corners, and attach Peak Loops to Carriage Bolts then twist to tighten. (F24.2, F24.3 and F24.4)

C: Attach each set of Roof Peak Brackets to the Rafter Corners of the connected Large and Small Roof Assemblies in the slotted holes with four #10 x 1-1/4" Pan Screws per bracket. (F24.2, F24.3 and F24.4)



Components:

- 2 x Peak Loop
- 2 x 1/4" Nut
- 4 x Roof Peak Bracket

Hardware

- 16 x #10 x 1-1/4" Pan Screw

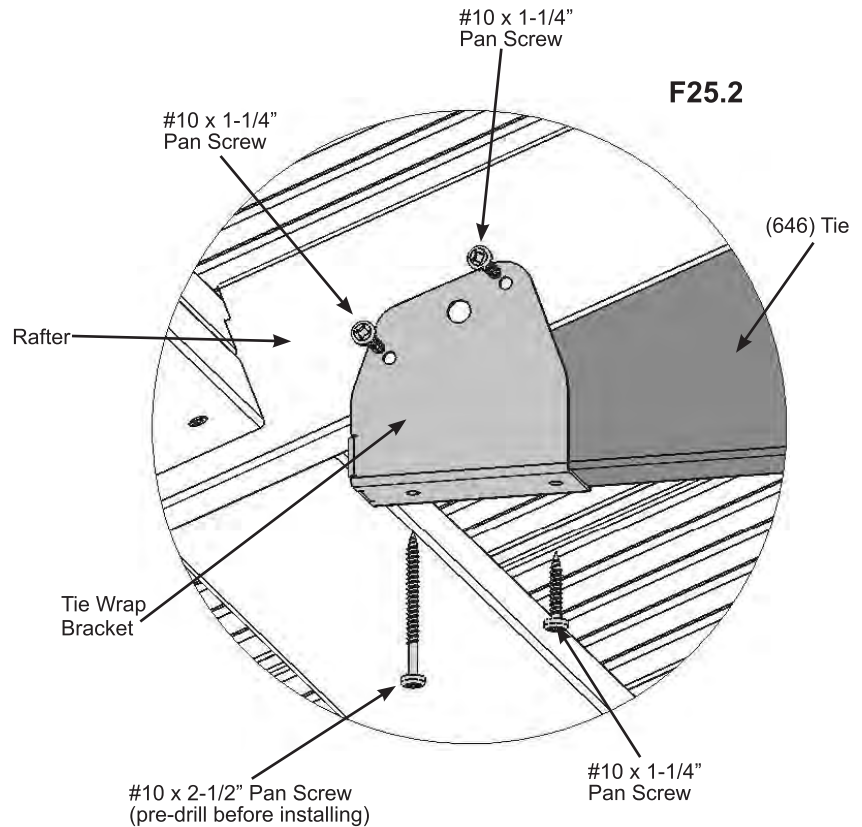
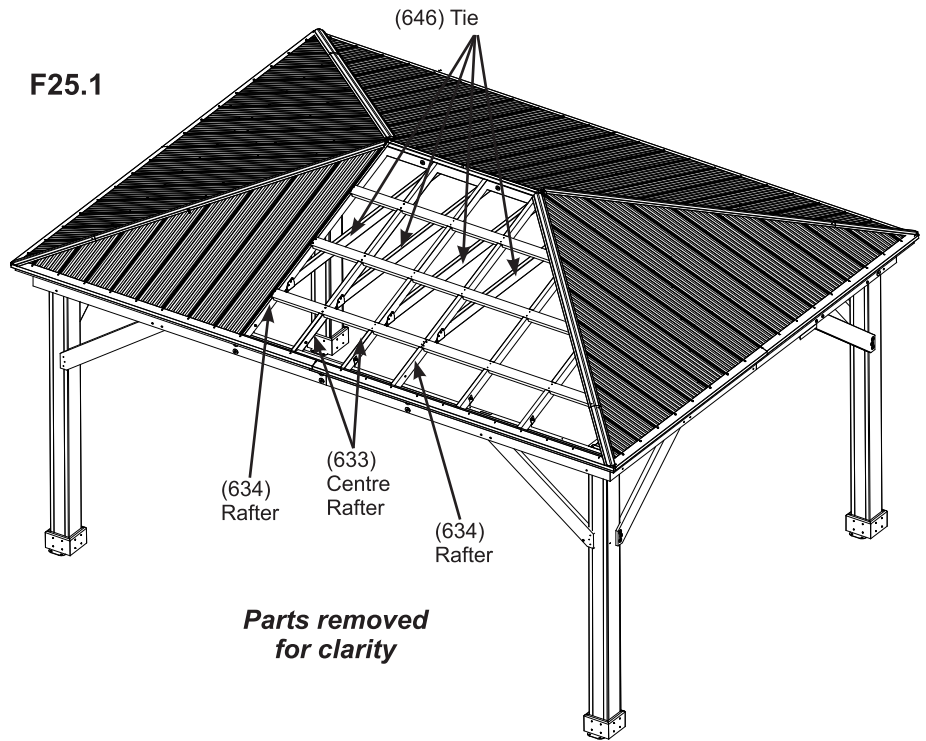
Step 25: Attach Tie Wrap Brackets and Ties



A: Attach one Tie Wrap Bracket tight to each end of four (646) Ties with one #10 x 1-1/4" Pan Screw per bracket using the inside holes. (F25.2 and F25.3)

B: With a helper place one (646) Tie with brackets against each (633) Centre Rafter and each (634) Rafter on Large Roof Assemblies so (646) Tie is tight to the rafters and are level. Attach Tie Wrap Bracket to Rafters with two #10 x 1-1/4" Pan Screws on both sides of each bracket. (F25.1, F25.2 and F25.3)

C: Pre-drill with a 1/8" drill bit and secure Tie Wrap Brackets to (646) Ties and Rafters with one #10 x 2-1/2" Pan Screw per bracket. (F25.1, F25.2 and F25.3)



Wood Parts

4 x (646) Tie

Components:

8 x Tie Wrap Bracket

Hardware

40 x #10 x 1-1/4" Pan Screw

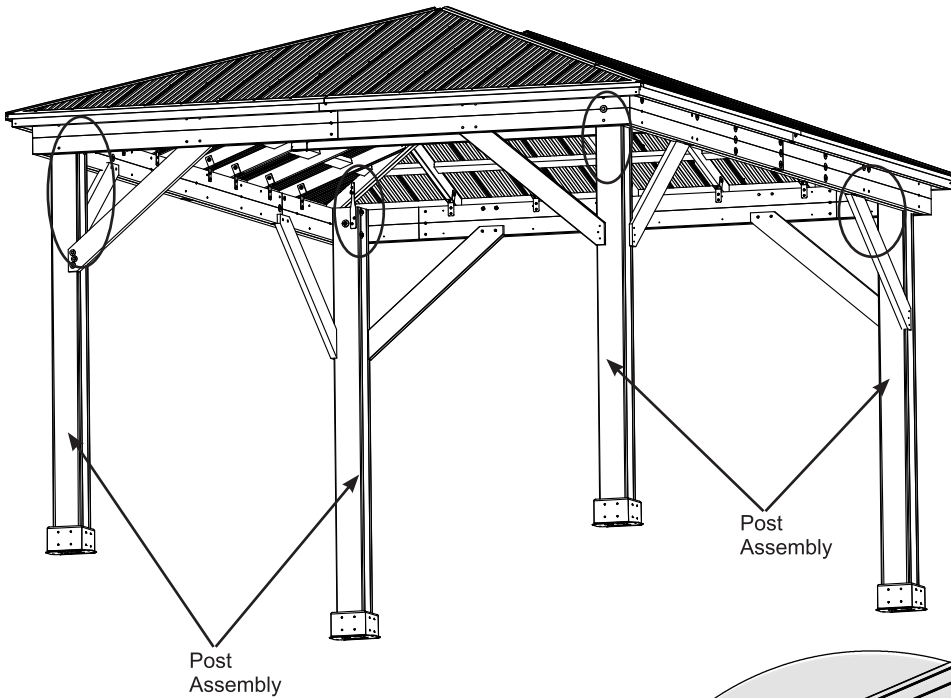
8 x #10 x 2-1/2" Pan Screw

Step 26: Attach Twist Brackets

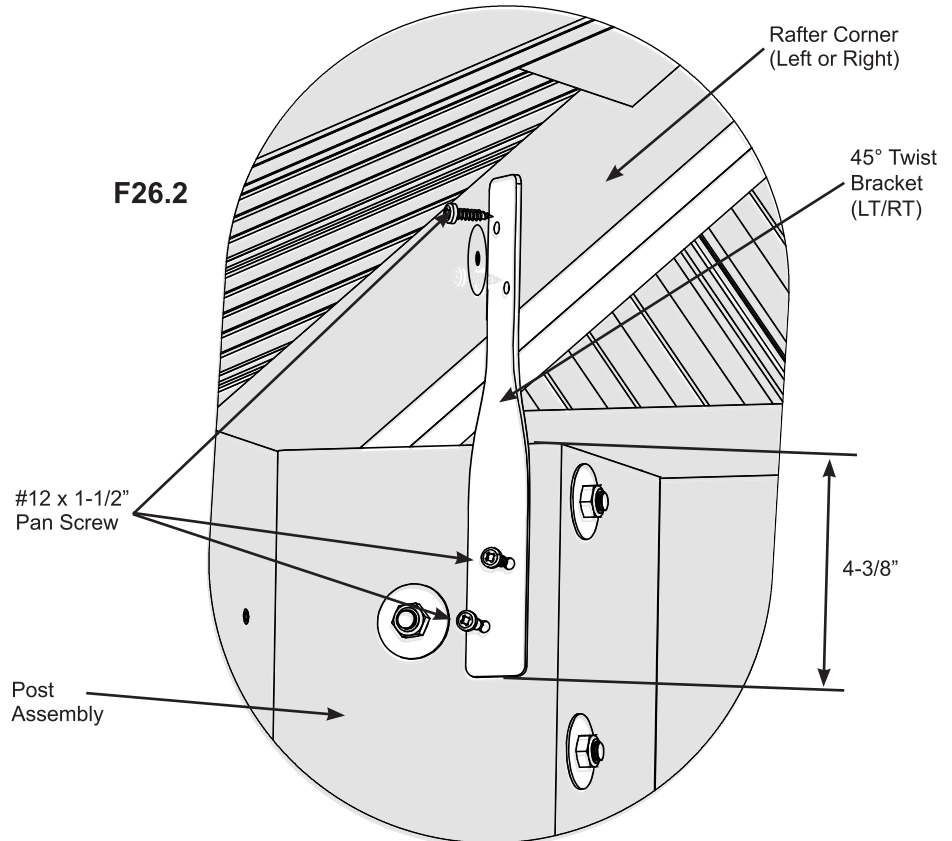


A: Measure 4-3/8" down from the inside of each Post Assembly on the long side of the unit, place bottom of either 45° Twist Bracket LT or 45° Twist Bracket RT at measured location then attach to Post Assembly and Corner Rafter (Left or Right) with three #12 x 1-1/2" Pan Screws per bracket. (F26.1 and F26.2)

F26.1



F26.2



Components:

2 x 45° Twist Bracket LT
2 x 45° Twist Bracket RT

Hardware

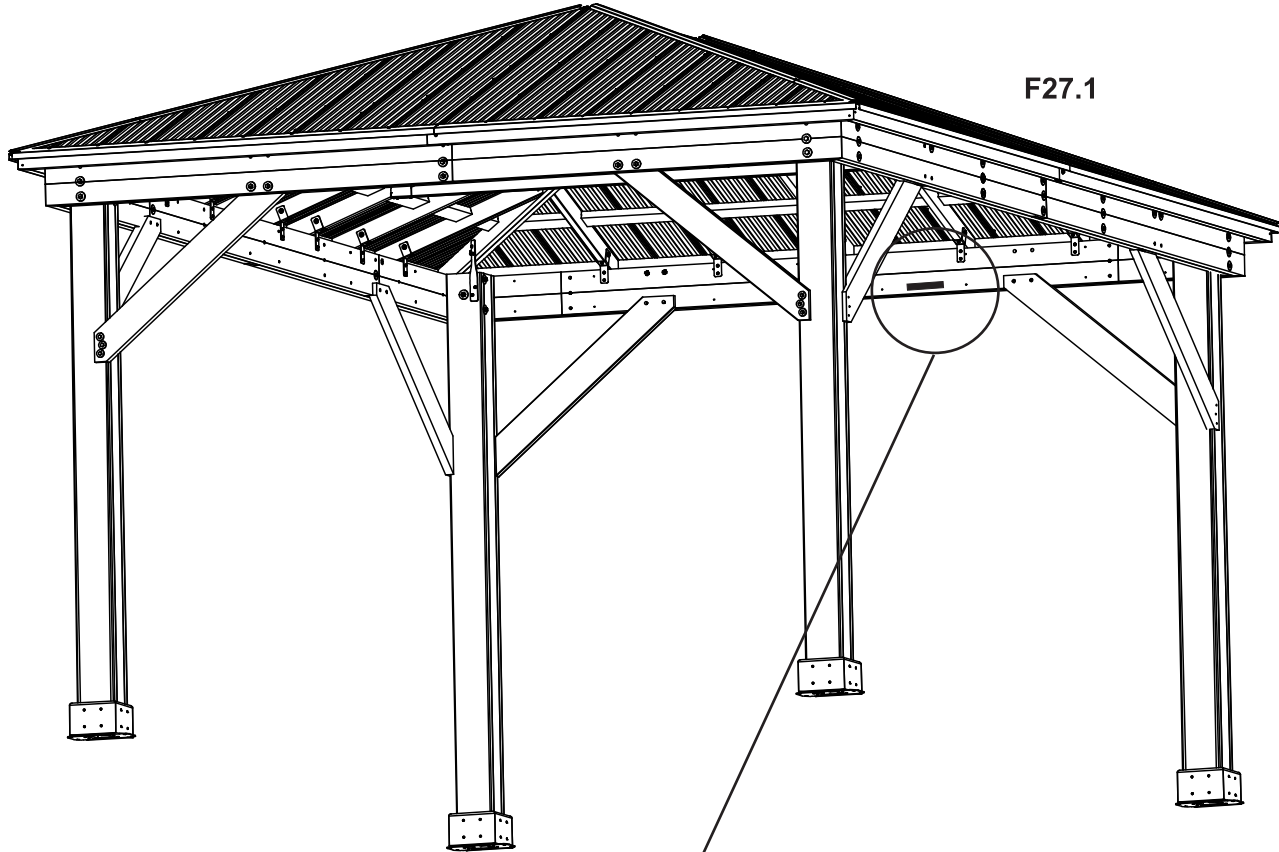
12 x #12 x 1-1/2" Pan Screw



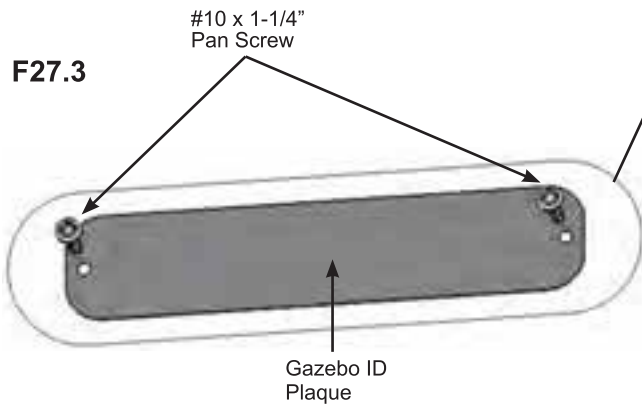
Step 27: Metal Hooks and Plaque

A: Two 50 mm Hooks are included with this unit for attaching wiring. They can be placed anywhere along the Rafters as needed. Pre-drill with a 1/8" drill bit before installing. (F27.1 and F27.2)

B: Attach Gazebo ID Plaque to a prominent location on your gazebo with two #10 x 1-1/4" Pan Screws. This provides warnings concerning safety and important contact information. A tracking number is provided to allow you to get critical information or order replacement parts for this specific model. (F27.1 and F27.3)



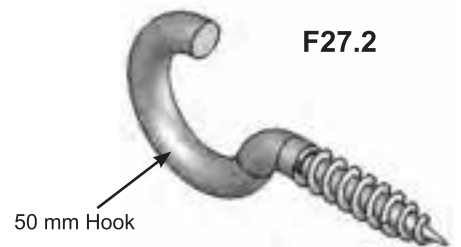
F27.1



F27.3

#10 x 1-1/4" Pan Screw

Gazebo ID Plaque



F27.2

50 mm Hook

Note: We have provided two 50 mm hooks for optional use to hold in place any wires if required. These hooks are not designed to hold any heavy products such as lights, flower pots, etc.

Components:

- 2 x 50 mm Hooks
- 1 x Gazebo ID Plaque

Hardware

- 2 x #10 x 1-1/4" Pan Screw

NOTES

NOTES



Customer Registration Card - Tarjeta de Registro del Cliente - Carte d'inscription du client

First Name - Primer Nombre - Prénom	Initial - Inicial - Initiale	Last Name - Apellido - Nom de famille

Street - Calle - Rue	PO Box - Casilla postal - Boîte postale	Apt. No. - App.

City - Ciudad - Ville	State/Province - Estado/Provincia - État/Province

ZIP/Postal Code - Código Postal - ZIP/Code postal	Country - País - Pays

E-mail Address - Dirección de E-mail - Adresse courriel	Telephone Number - No. de Teléfono - N° de téléphone

Model Name - Nombre del Modelo - Nom du modèle	Model Number (from front cover) - Número de Modelo (de la portada) - N° du modèle (page de couverture)

Date of Purchase - Fecha de Compra - Date d'achat (mm/dd/yyyy) (mm/dd/aaaa) (mm/jj/aaaa)	Place of Purchase - Comprado a - Lieu d'achat

Comments - Comentarios - Commentaires:

Mail To - Enviar por Correo a - Envoyer par courrier à:

Yardistry
375 Sligo Road West, PO Box 10
Mount Forest, Ontario, Canada, N0G 2L0
Attention: Consumer Relations
Atención a: Servicio de Atención al Cliente
À l'attention de: Service à la clientèle

Online Registration - Registro online - Enregistrement en ligne:
<http://yardistrystructures.com/warranty.php>

Yardistry would like to say "Thank you" for your time and feedback.
Yardistry quiere "Agradecerle" por su tiempo y su opinión.
Yardistry aimerait vous remercier d'avoir pris le temps de répondre au sondage.