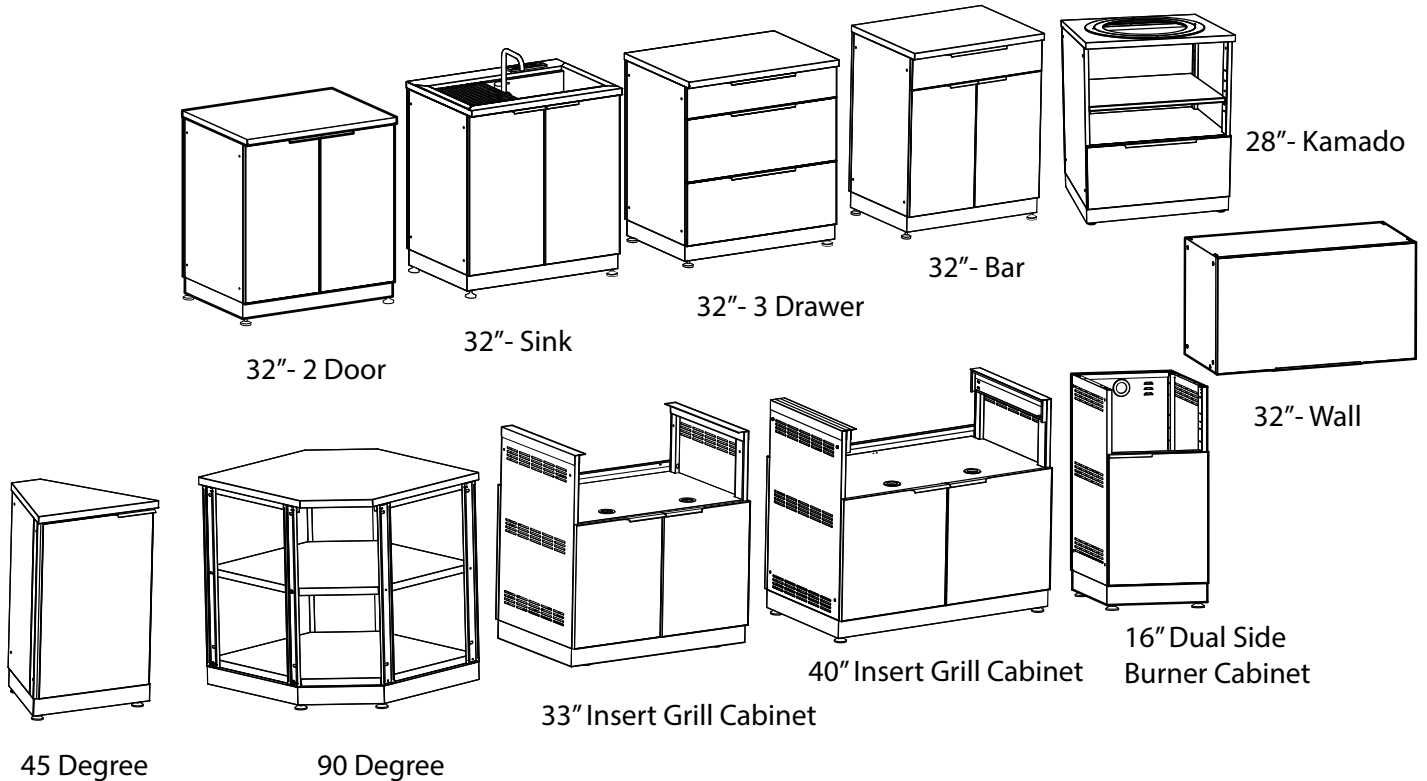


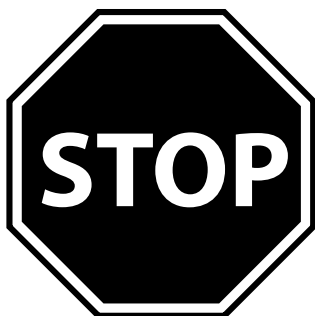
Outdoor Kitchen Aluminum Grey Glass Series Cabinets



Warning: Excessive weight hazard!



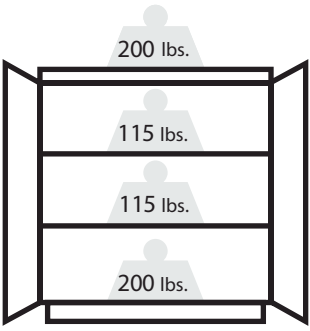
Use two or more people to move, assemble, or install cabinets to avoid back injury. Do not leave children unattended near cabinets. High risk of tipping if cabinets are installed incorrectly: securely attach cabinets to the wall to avoid serious injury. For assistance, call 1.877.306.8930; for U.K 0800.031.4069; e-mail at info@newageproducts.com.



ATTENTION: Is your cabinet damaged? Need help or spare parts? For fastest service, contact NewAge Products at 1-877-306-8930; or support@newageproducts.com. Do not return to the retailer.

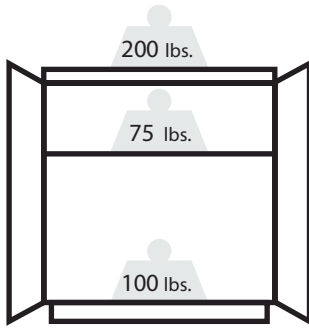
65200-Series Cabinets

Weight Capacity



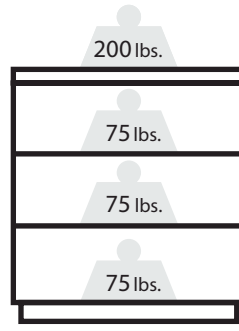
32" - 2 Door Cabinet
Max 630 lbs.

Weight Capacity



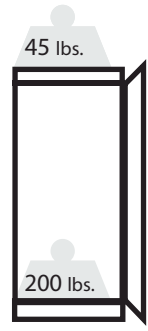
32" - Sink Cabinet
Max 375 lbs.

Weight Capacity



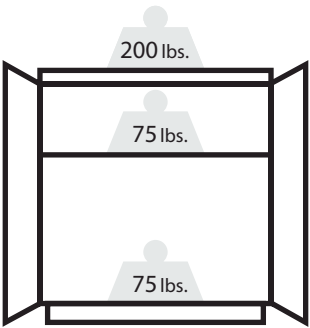
32" - 3 Drawer Cabinet
Max 425 lbs.

Weight Capacity



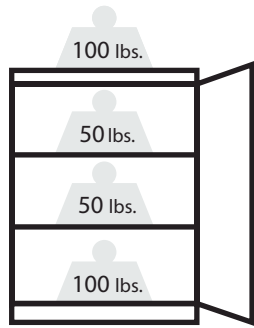
16" - DSB Cabinet
Max 245 lbs.

Weight Capacity



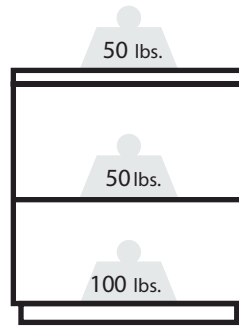
32" - SS Bar Cabinet
Max 350 lbs.

Weight Capacity



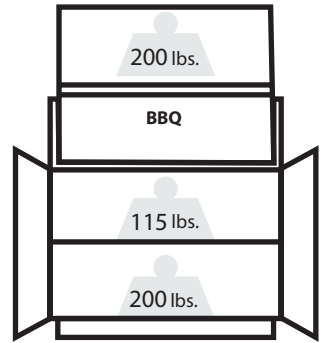
45° Cabinet
Max 300 lbs.

Weight Capacity



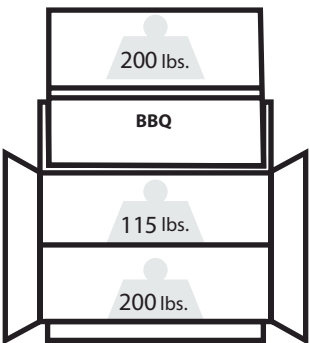
90° Corner Shelf
Max 200 lbs.

Weight Capacity



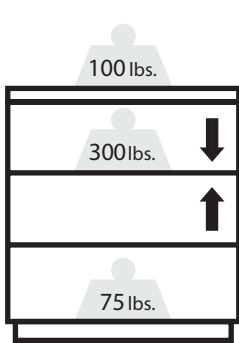
33" - BBQ SS
Max 515 lbs.

Weight Capacity



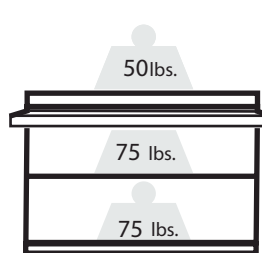
40" - BBQ SS
Max 515 lbs.

Weight Capacity



28" - KAMADO Cabinet
Max 475 lbs.

Weight Capacity



32" - Wall Cabinet
Max 200 lbs.

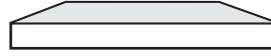
Unpacking

- Begin by placing the package on a protected flat surface.
- Remove all cardboard, foam packaging material and clear plastic bags.
- Dispose / recycle all packaging materials.
- Verify all the contents in the box and gather the required tools. See "Parts" and "Tools Needed" in the list below.

Worktops



16" Worktop, fits 16" Cabinet.



32" Worktop, fits over 1 Cabinet.



56" Worktop. Fits over 1 Cabinet & Fridge nook.



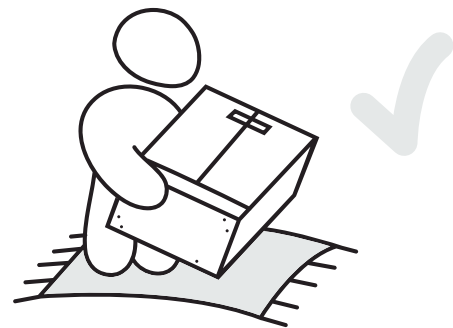
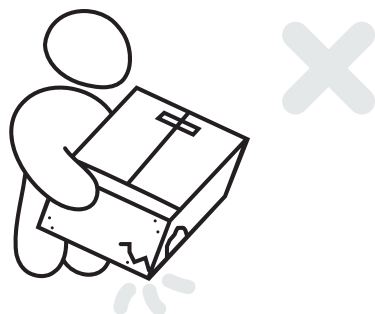
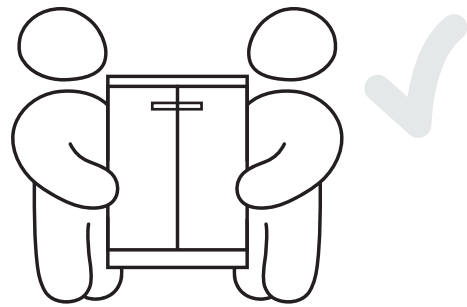
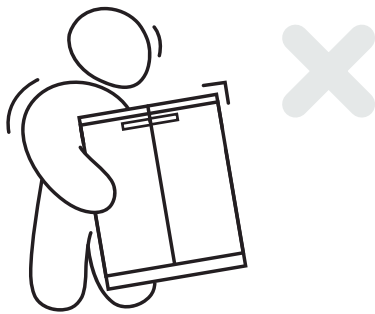
64" Worktop. Fits over 2 Cabinets



88" Worktop. Fits over 2 Cabinets & Fridge nook.



96" Worktop. Fits over 3 Cabinets



Limited Warranty:

All products must be installed, operated, and maintained in accordance with the instructions included with the products. If a product is properly installed, operated, and maintained fails to meet the below limited warranty, NewAge Products, Inc ("NewAge") will replace the defective product or parts.

Subject to the limitations and disclaimers set forth below or in other product documentation, NewAge warrants to the initial customer that (1) product finishes will be free from defects for three years following purchase, (2) drawer slides will be free from defects for two years following purchase, and (3) the overall structural integrity of the product (not including finishes or drawer slides) will be free from defects for ten years following purchase.

Customer must pay for shipping costs associated with any replacement product or parts. This limited warranty is limited to product replacement only. In no event will NewAge be liable for special, indirect, or consequential damages.

This limited warranty is available to the initial purchaser only and is not transferable. Proof of purchase and additional information regarding the defect may be required at NewAge's discretion. The warranty is made only to products sold in the continental United States, Canada, and the United Kingdom.

ALL OTHER WARRANTIES DISCLAIMED:

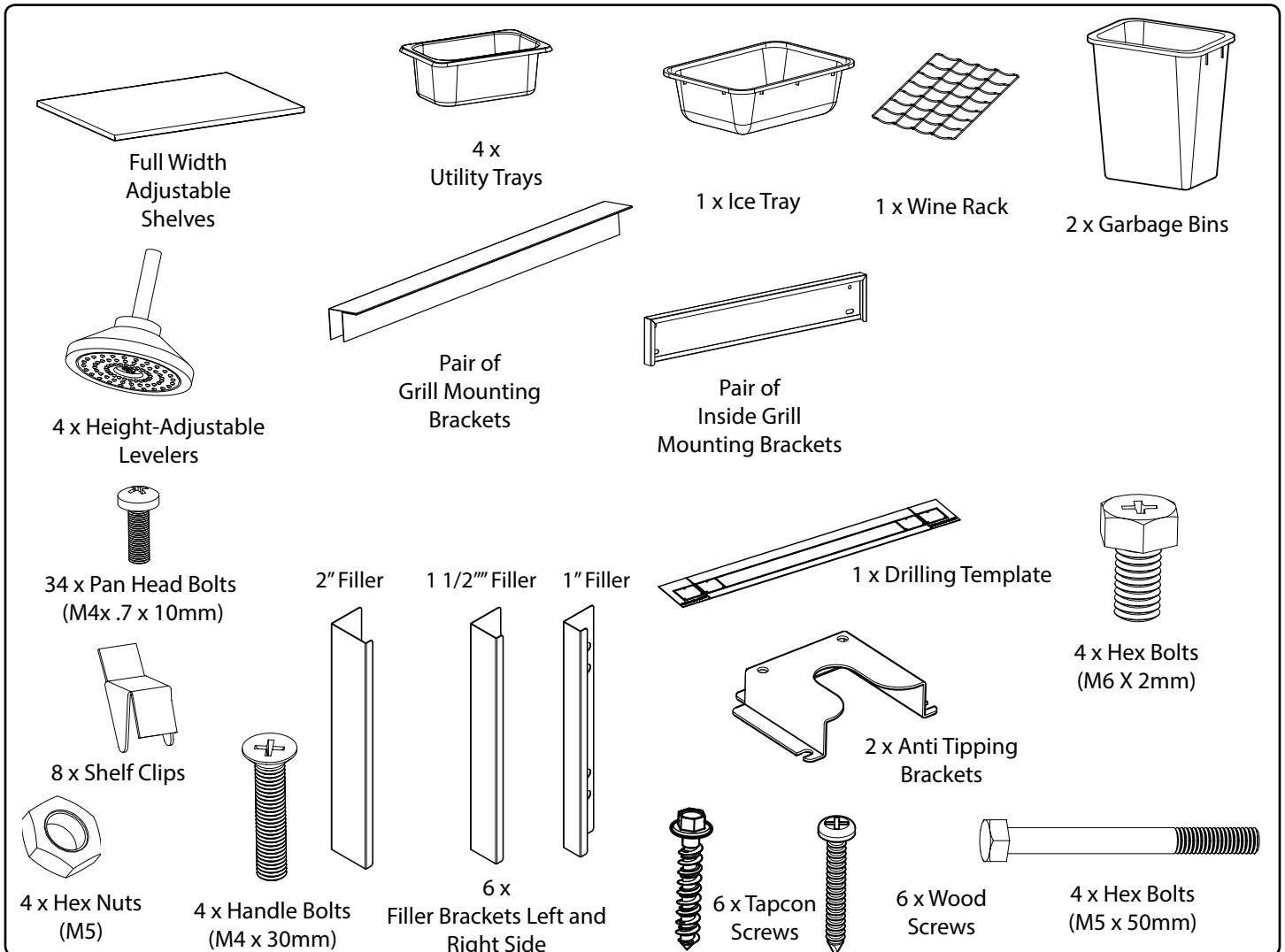
ALL OTHER WARRANTIES ARE DISCLAIMED TO THE MAXIMUM EXTENT PERMITTED BY APPLICABLE LAW. WITHOUT LIMITING THE GENERALITY OF THE FORGOING, NEWAGE EXPRESSLY DISCLAIMS ANY IMPLIED WARRANTIES OF MERCHANTABILITY OR FITNESS FOR A PARTICULAR PURPOSE.

NEWAGE PRODUCTS INC. WILL NOT PAY FOR:

1. Service calls or labor costs.
2. Products damaged by accident, misuse, abuse, fire, flood, improper installation, acts of God, neglect, corrosion, improper maintenance or cleaning, modification, mishandling or not following care instructions.
3. Products damaged by improperly loading beyond the specified maximum weight capacity outlined in the instructions provided with the product.
4. Defects results from use in excess of normal residential use.
5. Cosmetic damage that occurs after customer purchasing the product, including scratches, dings, dents, corrosion, or stains in the material that does not affect the structural or functional capability of the product.
6. Loss of product contents.

Parts Supplied

Type	Hardware	32"- 2 Door Base	32" Sink Cabinet	32"- 3 Drawer	32"- Bar	33" Grill	40" Grill	16" Dual Side Burner	28" Kamado	45 Degree	90 Degree	Wall Cabinet
Hardware Pack	Handle Bolts (M4 x 25)	4	4	6	6	4	4	2	2	4	0	2
	Hex Bolt (M6x 50mm)	4	4	4	4	4	4	4	4	8	8	8
	Hex Bolt (M6 x 12mm)	0	0	0	0	0	4	0	0	0	0	0
	Pan Head Bolt (M4 x .7 x 10MM)	0	0	0	0	0	0	0	0	0	34	0
	Hex Nuts (M6)	4	4	4	4	4	4	4	4	0	8	8
	Flat Washer (M6)	0	0	0	0	0	0	0	0	0	8	0
	Tapcon Screws	0	0	0	0	0	0	0	6	0	0	0
	Wood Screws (4.2 x 16)	0	0	0	0	0	0	0	6	0	0	0
	Drilling Template	0	0	0	0	0	0	0	1	0	0	0
	Shelf Clips	8	4	0	4	0	0	0	4	0	0	4
		20	16	14	18	12	16	10	27	12	58	22
Additional Hardware	Plastic Hole Caps	8	8	8	8	8	8	8	8	0	0	8
	Height-Adjustable Levelers	4	4	4	4	4	4	4	4	8	4	4
		12	12	12	12	12	12	12	12	8	4	12
Included Components	Ice Tray	0	0	0	1	0	0	0	0	0	0	0
	Wine Rack	0	0	0	1	0	0	0	0	0	0	0
	Utility Trays	4	0	0	4	4	4	0	0	0	0	0
	Drawer Partitions	1	0	4	4	0	0	0	0	0	0	0
	Garbage Bin	0	0	0	2	0	0	0	0	0	0	0
	Adjustable Shelves	2	1	0	0	0	0	0	0	0	0	1
	Sink Drying Rack	0	1	0	0	0	1	0	0	0	0	0
		7	2	4	12	4	5	0	0	0	0	1
Included Brackets	Granite Instalation Rails	0	0	0	0	0	0	0	0	0	2	0
	Filler Brackets	0	0	0	0	6	6	0	0	0	0	0
	Grill Inside Bracket	0	0	0	0	0	2	0	0	0	0	0
	Grill Mounting Bracket	0	0	0	0	2	2	0	0	0	0	0
	Anti Tipping Bracket	0	0	0	0	0	0	0	2	0	0	0
		0	0	0	0	8	10	0	2	0	2	0



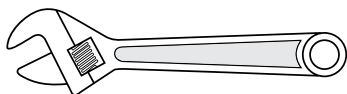
OTHER NOTES TO CONSUMER:

Discoloration due to the high heat, for example beside a grill, is a trait of stainless steel and is not covered. Surface rust resulting from acid rain or environmental chemicals are not covered. (Please see maintenance information to combat surface rust). NewAge outdoor powder coated finishes are designed to withstand weathering and are UV stable.

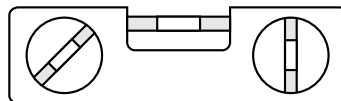
The 304 stainless steel material used in the construction of NewAge Outdoor Kitchen Cabinets is highly rust resistant, however, chlorine in the air from swimming pools or the salt from sea air may cause surface rust to appear and even create some pitting corrosion if left on the product. We strongly recommend a suitable maintenance tested product. We suggest cleaning all stainless steel surfaces at least every two weeks to keep your cabinets in prime condition. The chemical reaction from salt is easy to prevent however it is more difficult when left on the surface.

Additional product information is available at
<http://www.newageproducts.com/outdoor-kitchen-limited-warranty>

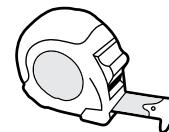
Tools Needed



1 x Adjustable wrench



1 x 24" Level



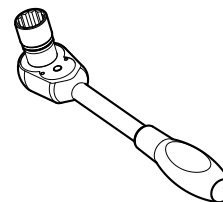
1 x Tape Measure



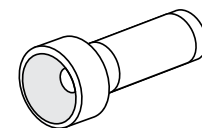
1 x 10mm Open end wrench



1 x 10mm socket



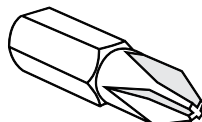
1 x Socket wrench



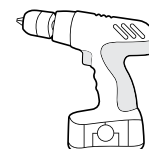
1 x Flashlight



**1 x #2 Phillips head
screwdriver**



1 x #2 Phillips Bit



1 x Cordless Power Drill

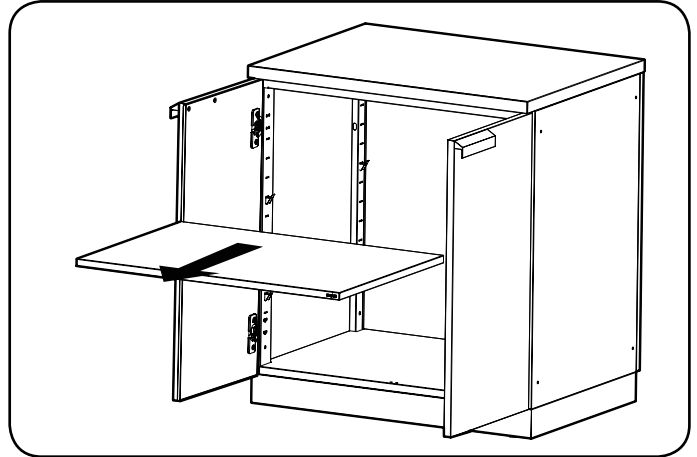
Adjusting the Levelers

i Parts Needed.

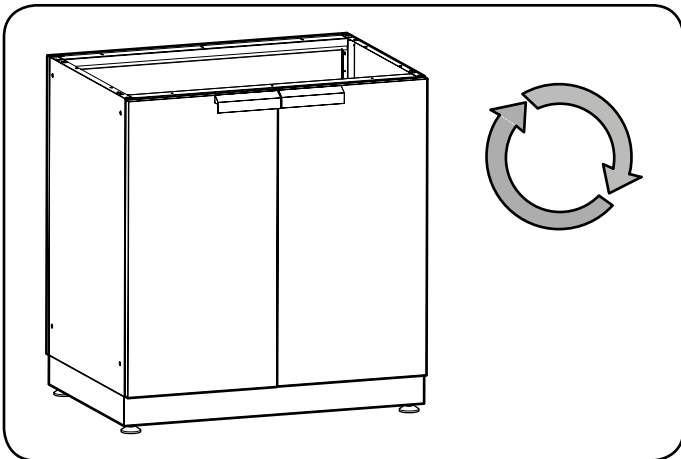


4 X Adjustable Levelers

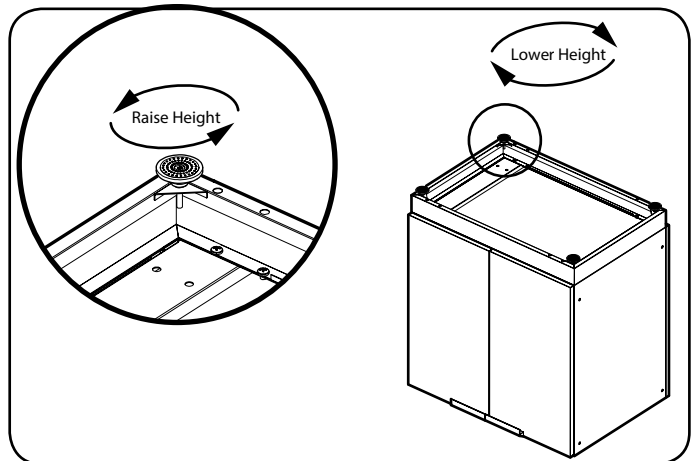
1 Open cabinet, remove any shelves or loose items.



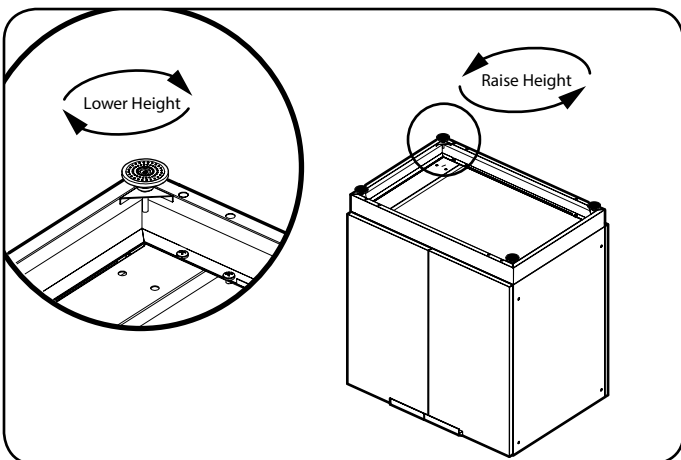
2 Flip over Cabinet to reveal bottom.



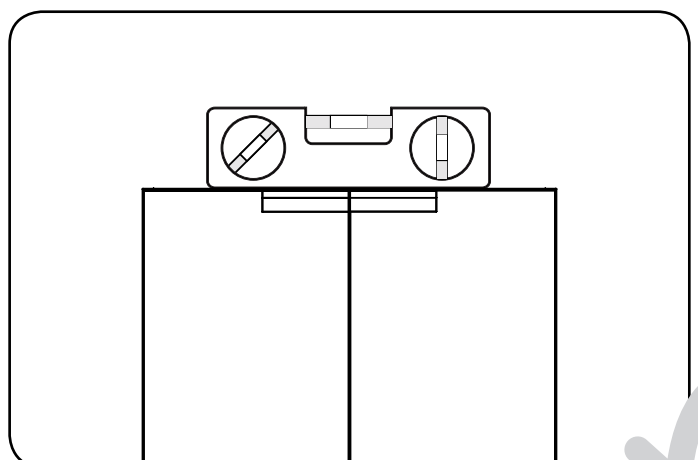
3 Rotate Leveler counter clockwise to raise height.



4 Repeat step 3 for each corner.

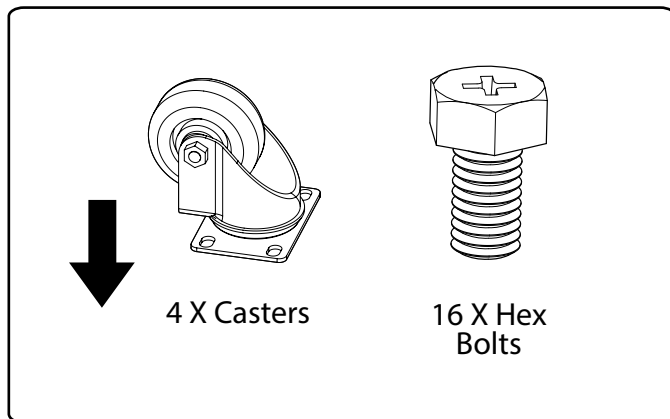


5 Stand cabinet upright. Level Cabinet.

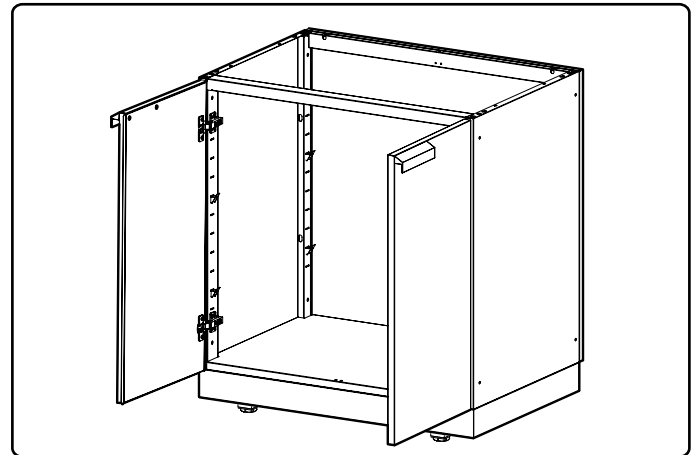


Installing the Casters (Sold Separately)

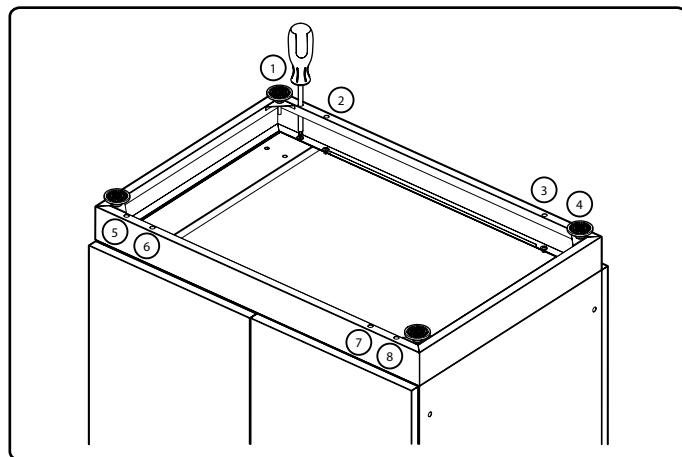
i Parts Needed.



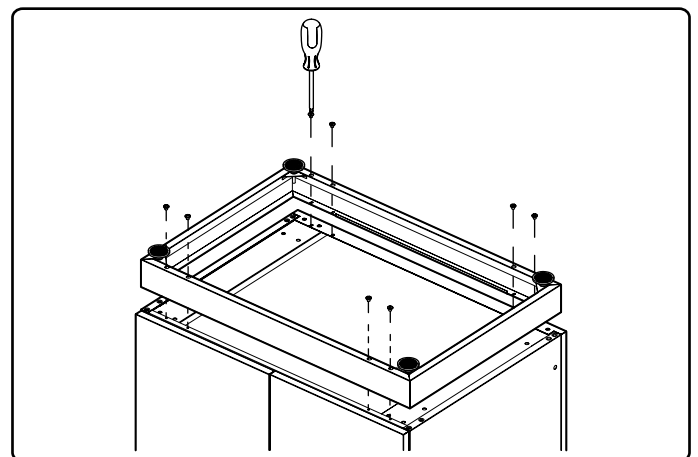
1 Open cabinet, remove any shelves or loose items.



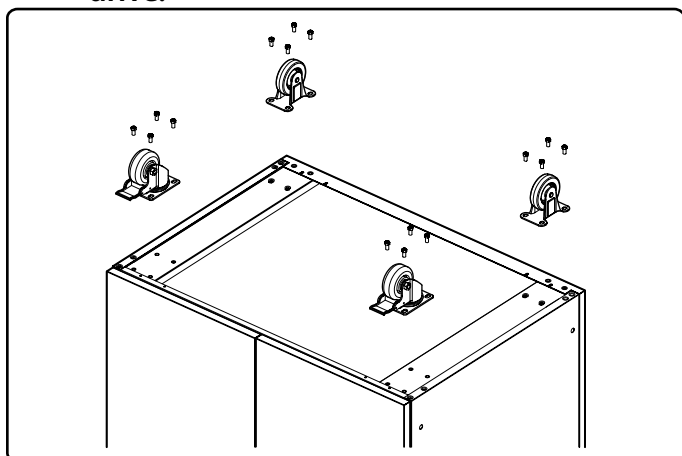
2 Remove 8- M4 x 25mm bolts in locations with phillips screw driver accessed through holes in kick.



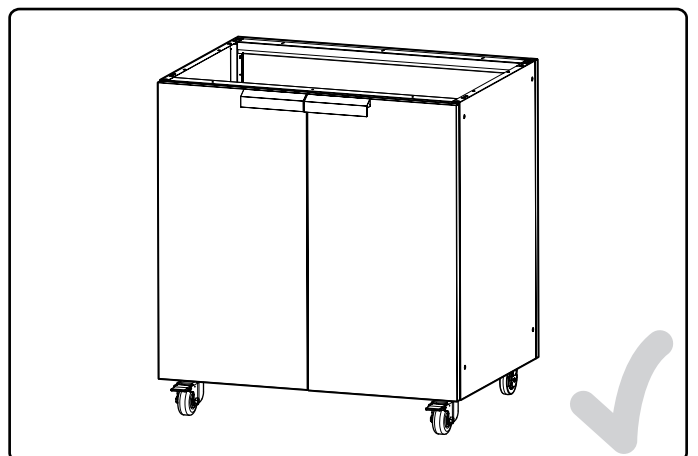
3 Remove Kick and store with hardware for future configuration considerations.



4 Place caster plate over 4 rivet nuts in 4 corner locations install/ tighten 16 x 1/4" x 1/2" bolts. Can be installed with socket or Phillips drive.

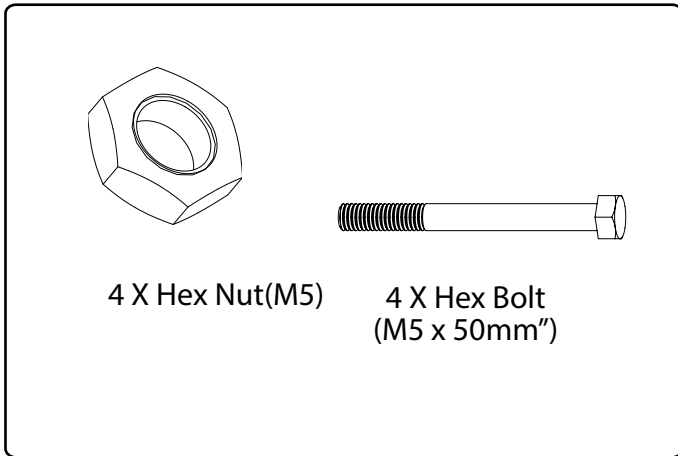


5 Rotate cabinet until all 4 casters are resting on the ground..

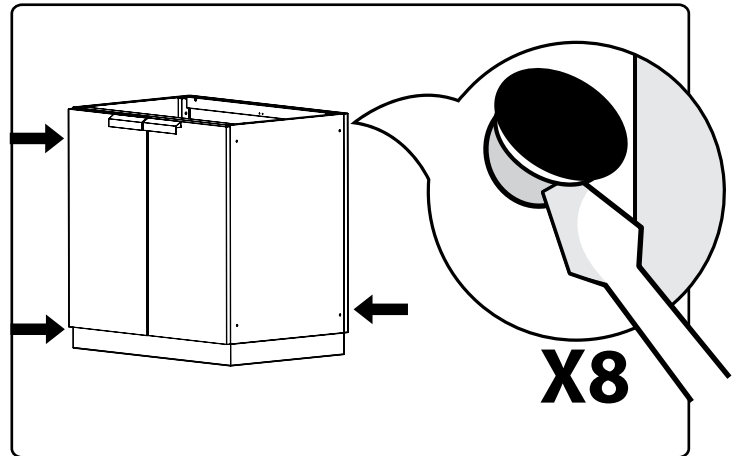


Fastening Cabinets(to each other)

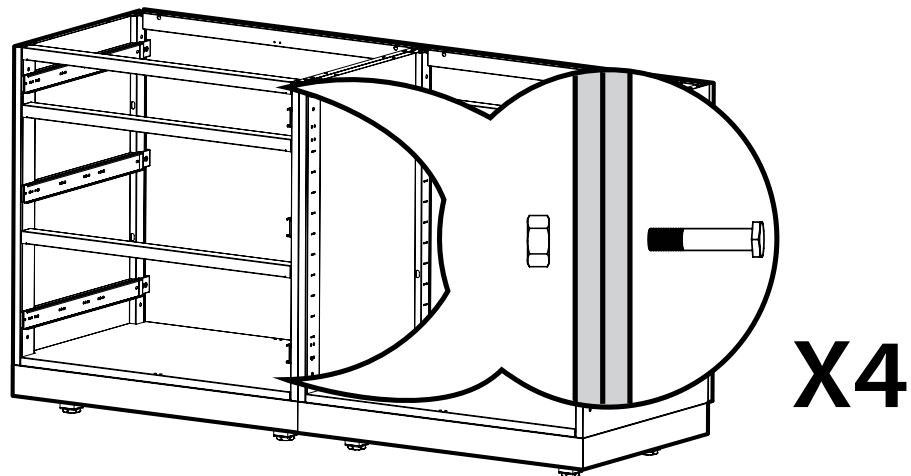
1 Parts Needed.



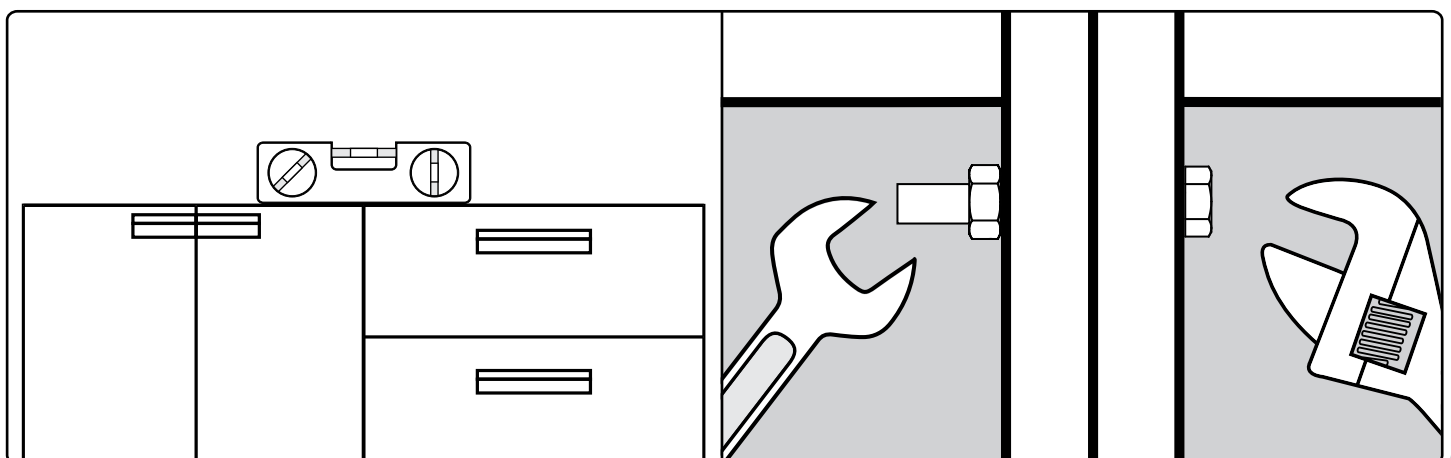
2 Remove plastic caps from cabinets.



3 Align bolts, tighten lightly.

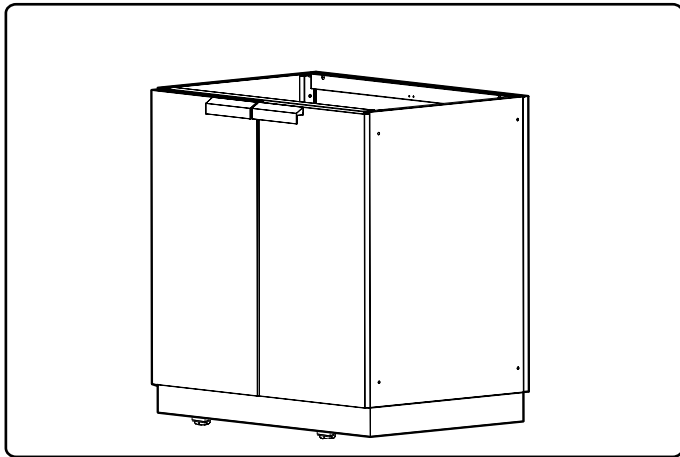


4 Level cabinets and tighten all bolts.

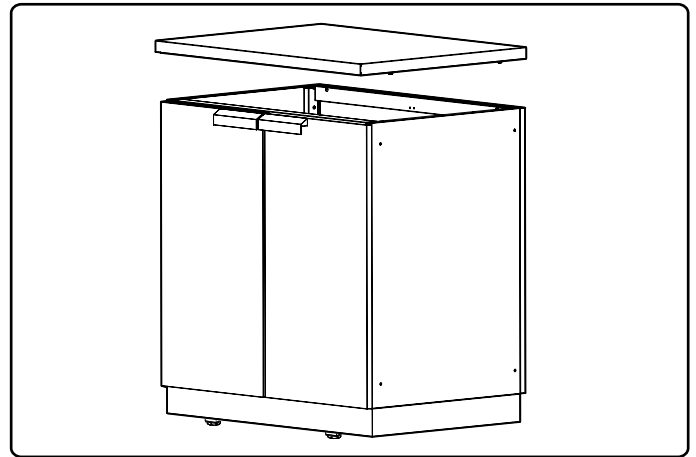


Mounting the Worktop

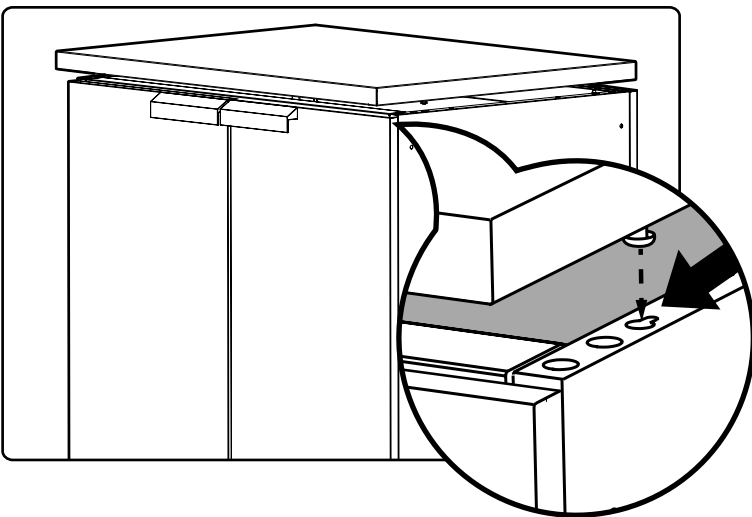
1 Stand cabinet upright.



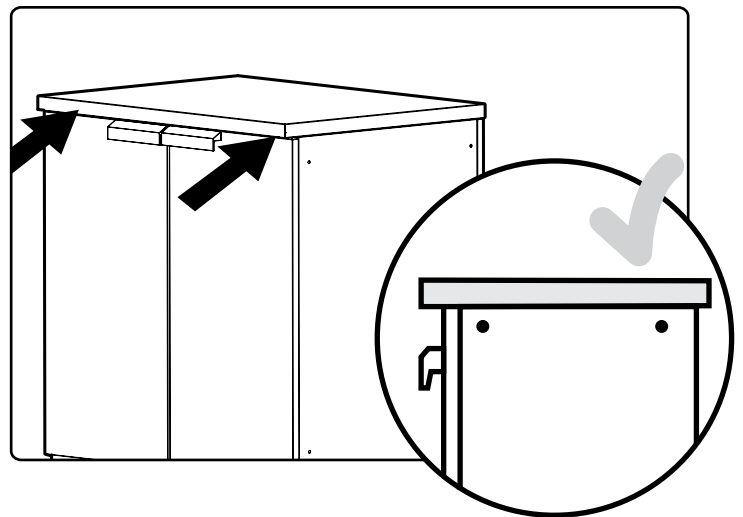
2 Place worktop over cabinets.



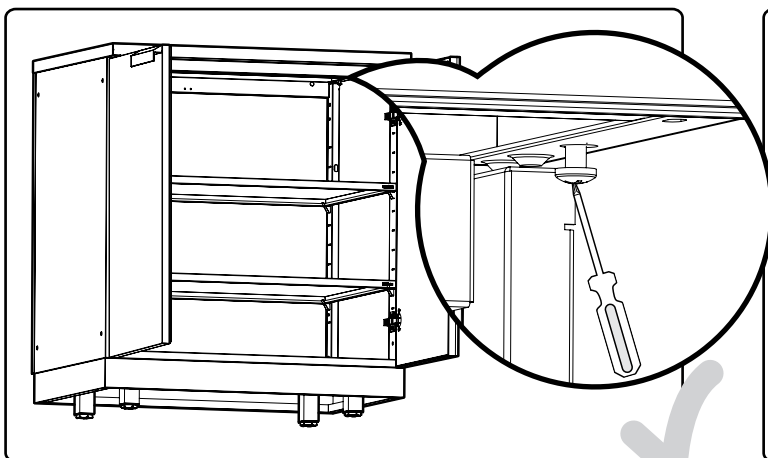
3 Insert the worktop bolt heads into the keyhole shape slots.



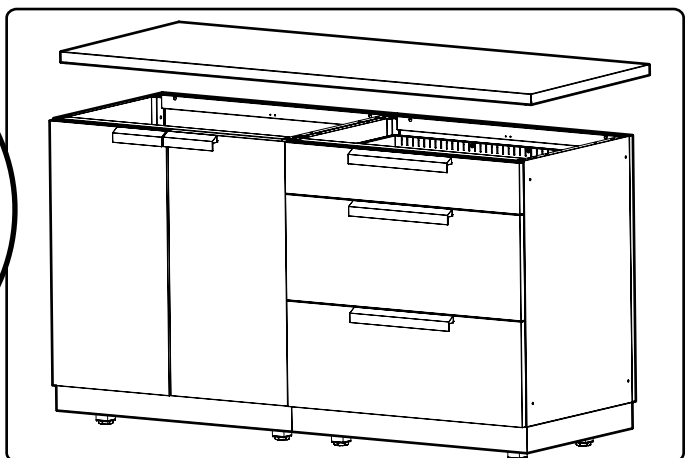
4 Push worktop in to lock.



5 Tighten screws to secure cabinets.

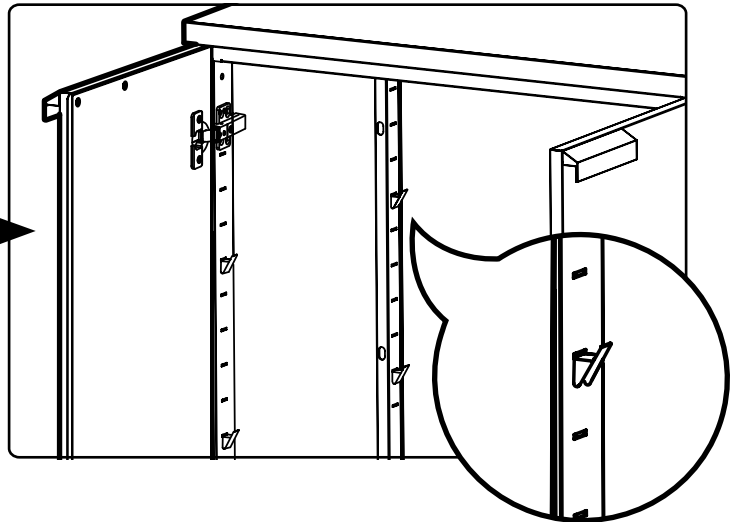
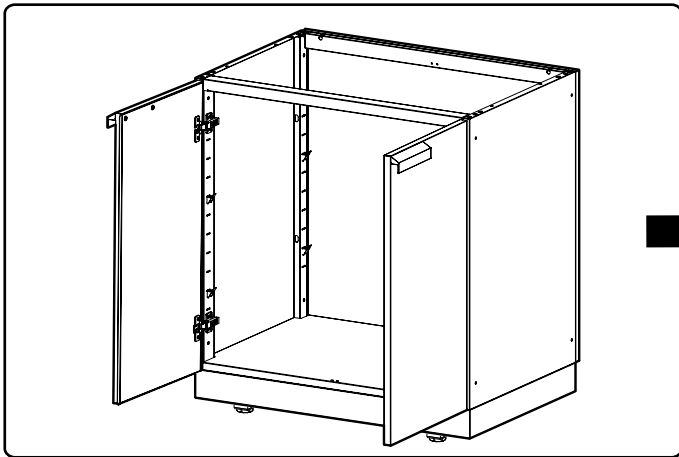


Optional: Repeat steps 2-5 for mounting larger worktops.

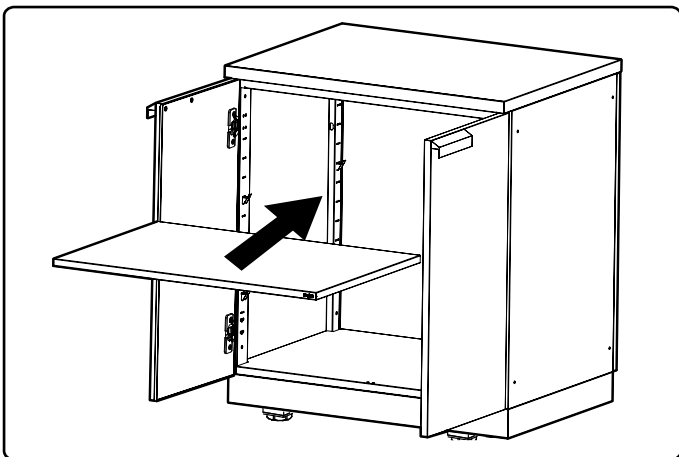


Inserting Cabinet Shelves

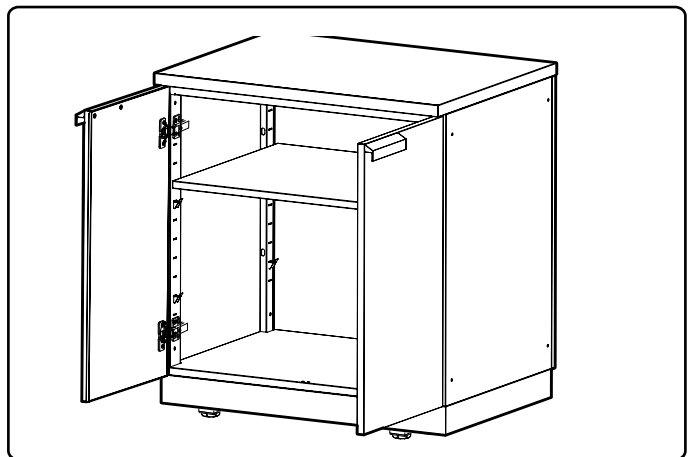
- 1** Open cabinet doors. Attach shelf clips to desired height.



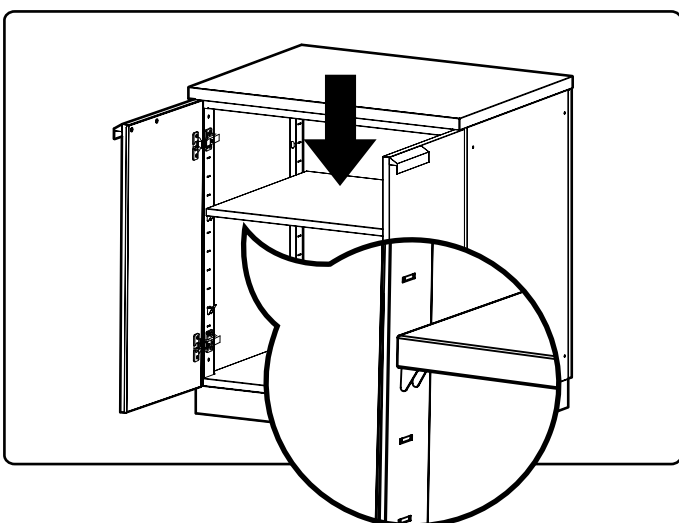
- 2** Begin with shelf being level.



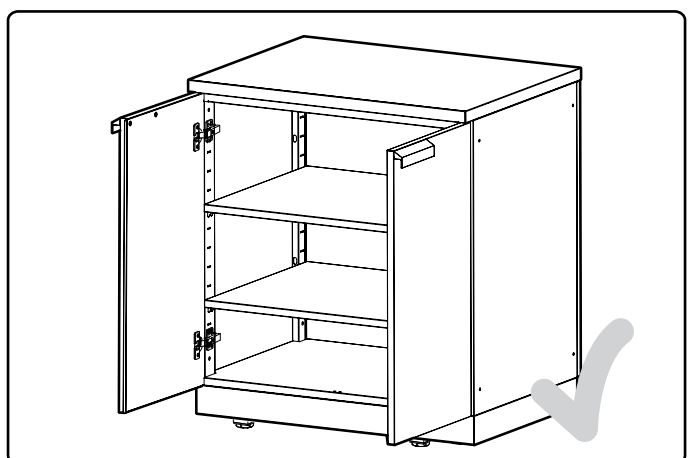
- 3** Insert and position above shelf clips.



- 4** Lower shelf down onto shelf clips.



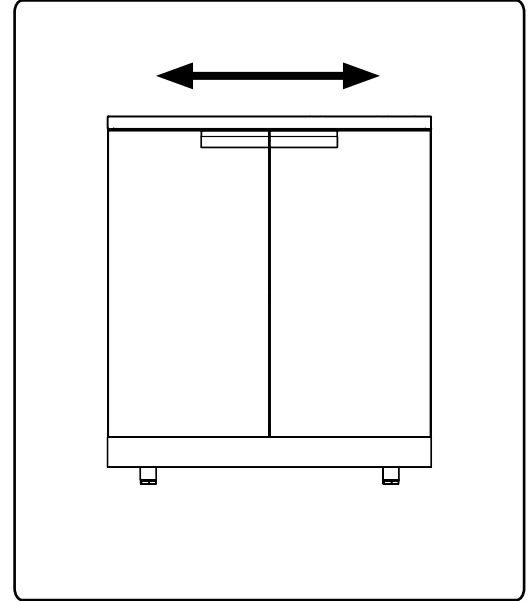
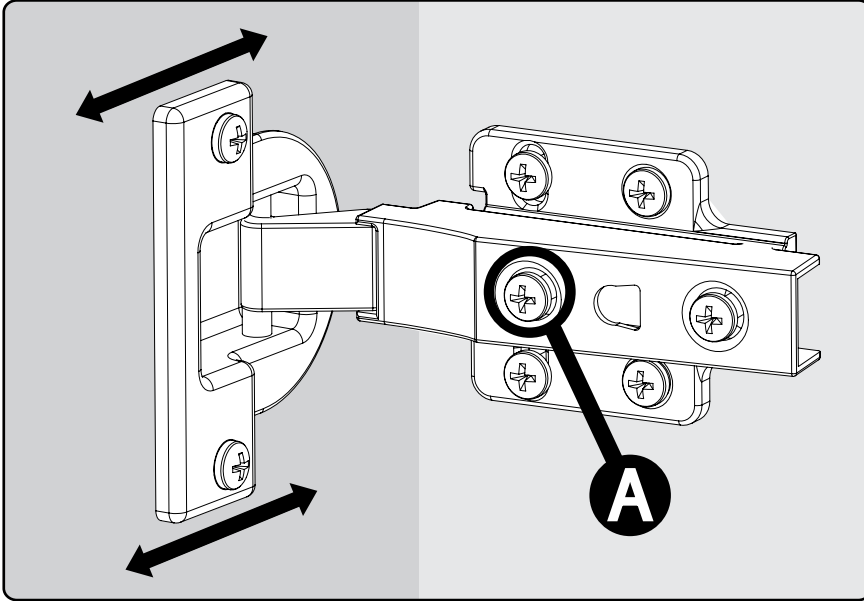
- 5** Install remaining shelves.



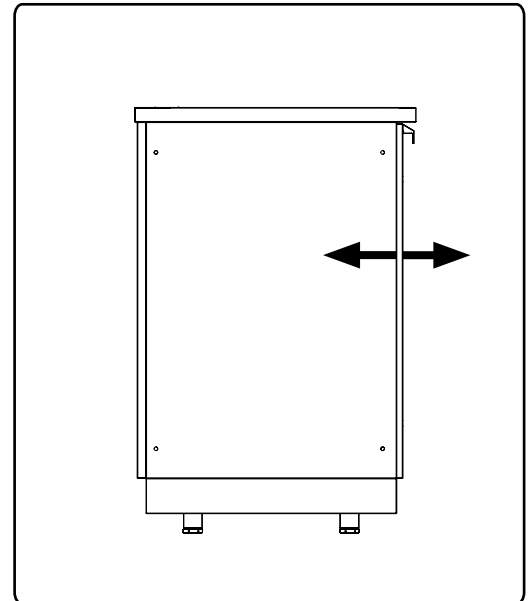
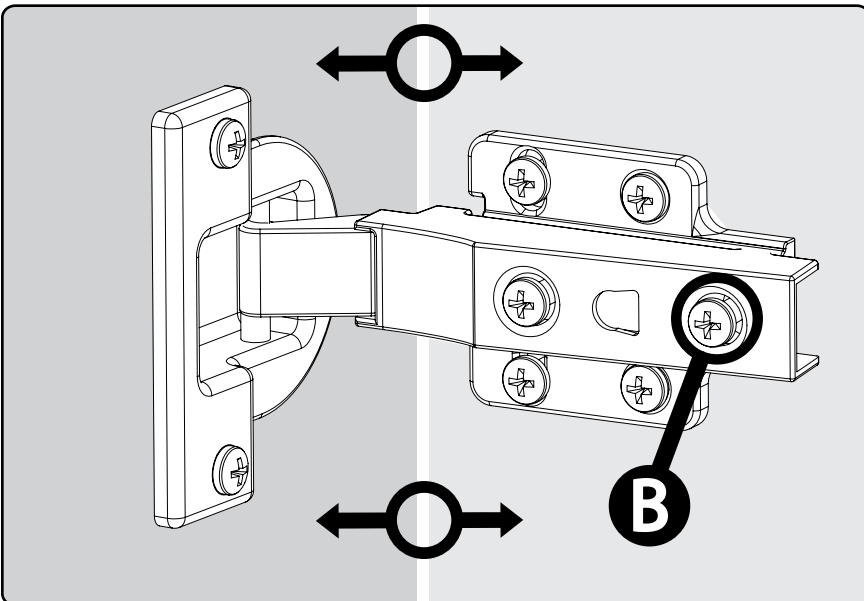
Adjusting The Door Hinges

Using a Philips screwdriver, the doors can be adjusted:
Left, right, forwards and backwards.

- 1 To adjust the doors left or right, turn the screw (A) clockwise or counterclockwise.



- 2 To adjust the gap between the doors and frame, turn the screw (B) clockwise or counterclockwise.

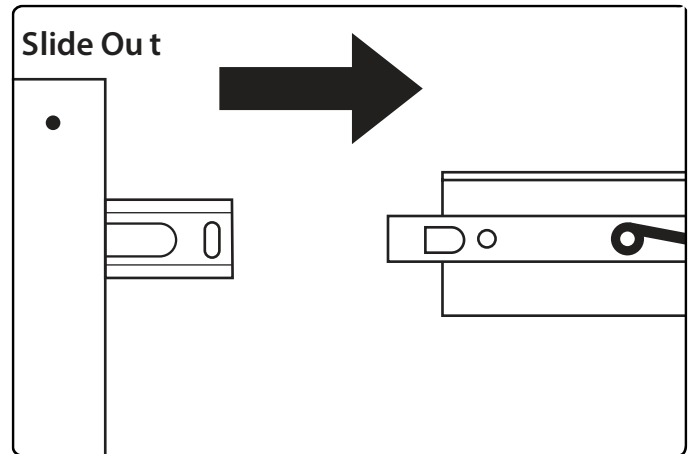
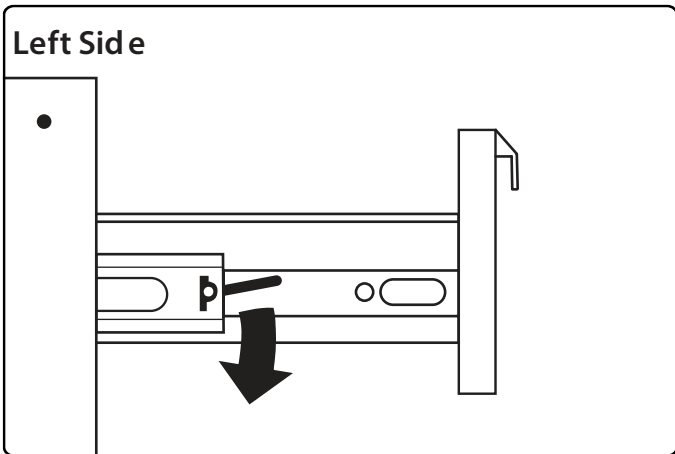
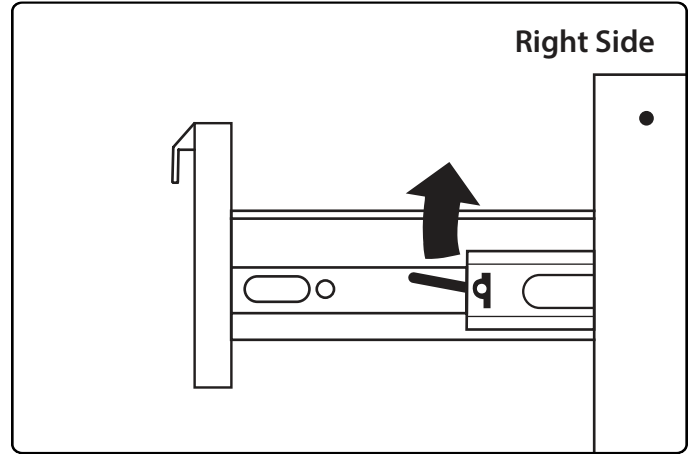
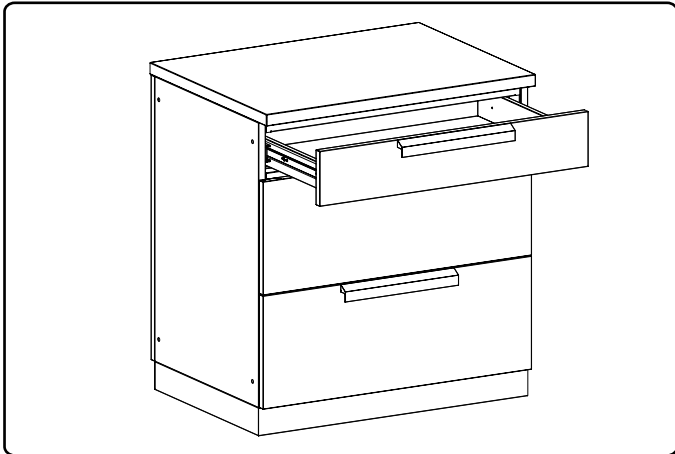


Thank you for purchasing a NewAge Product!

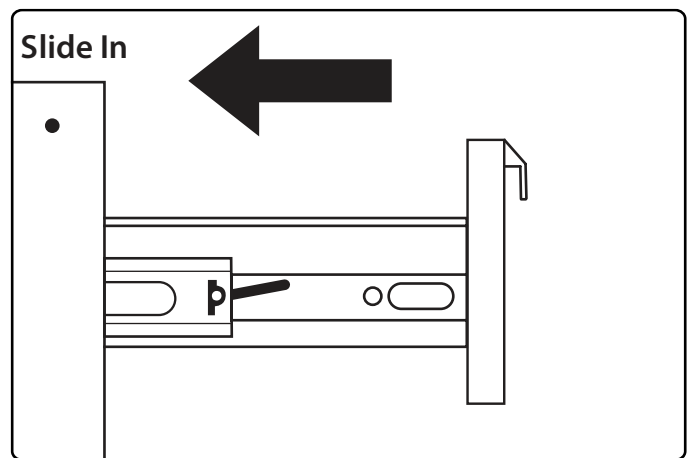
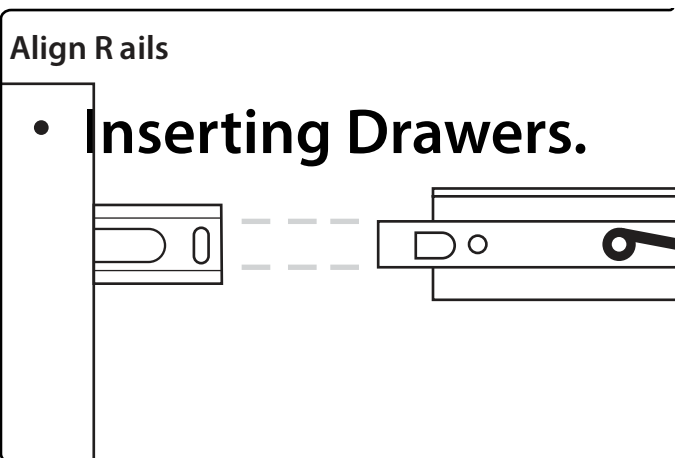
Please give us a call or visit online if you have any questions.

Call 1.877.306.8930; for UK 0800.031.4069; e-mail at info@newageproducts.com

Installing the Drawers Removing Drawers.

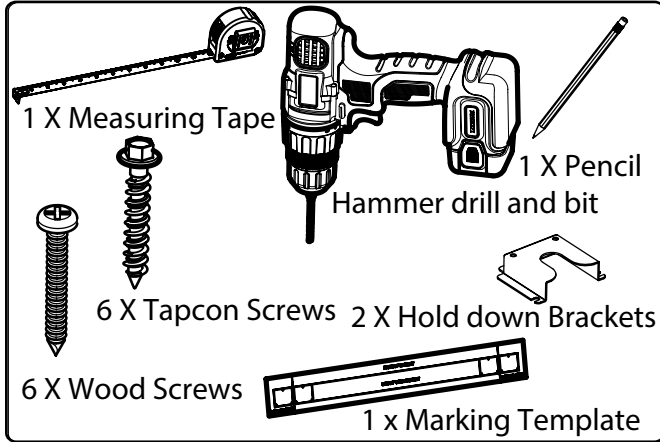


Inserting Drawers.

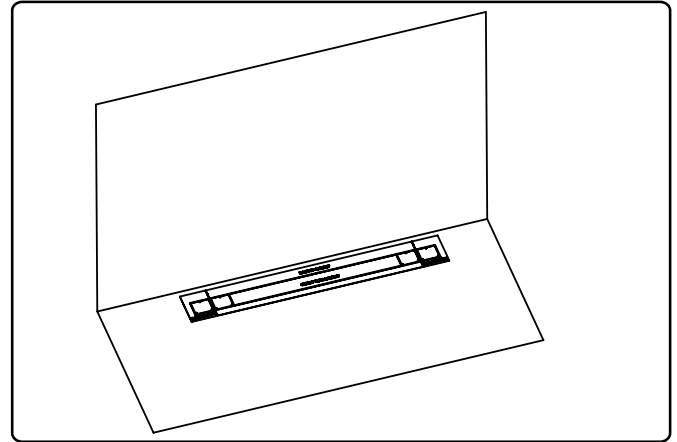


Positioning Anti Tip Floor Brackets

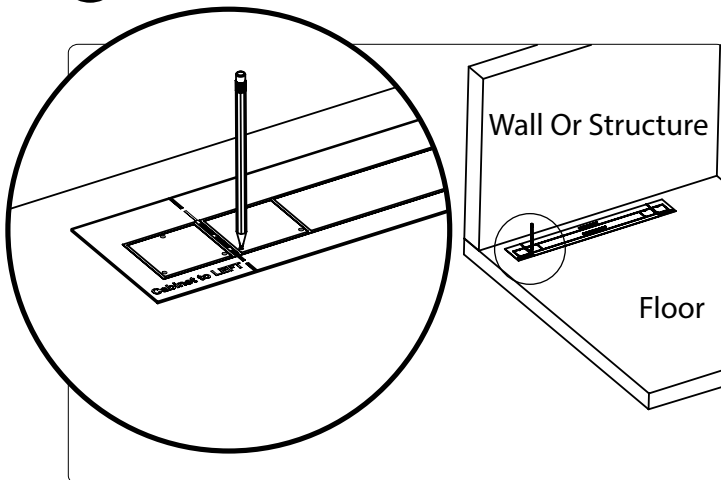
1 Parts Needed.



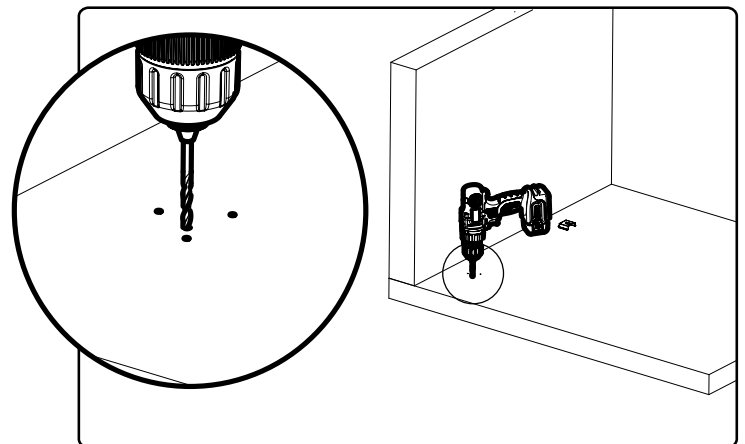
2 Place Marking template on your floor indicating where to place your cabinet.



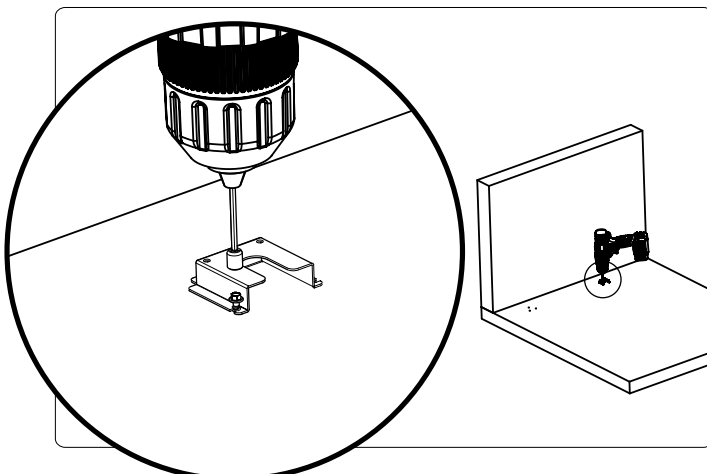
3 Step 1 Mark 6 drill locations using template to place brackets



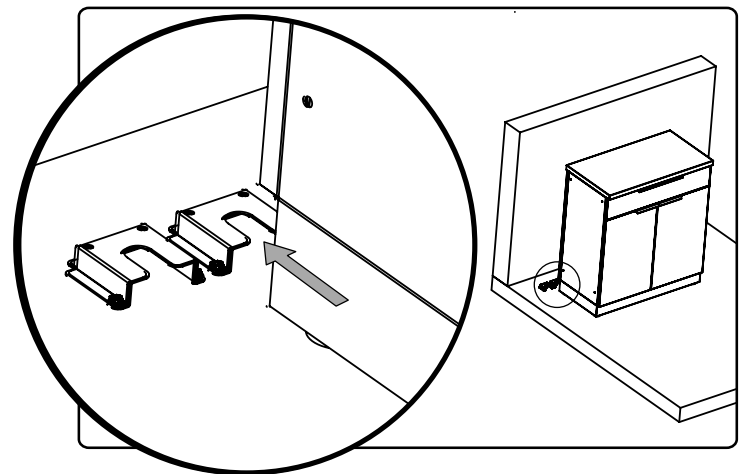
4 Step 2 Drill Floor in marked positions with appropriate drill for substrate.



5 Step 3 Fasten Floor Brackets with 3 Tapcons (concrete) 3 wood screws (wood)

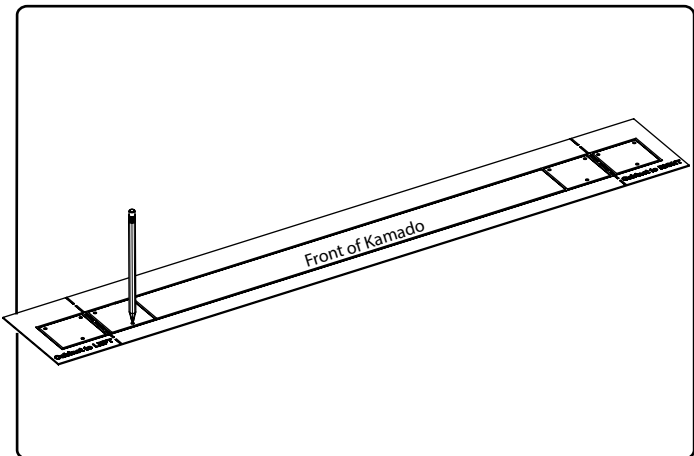


6 Step 4 Move cabinet glides into brackets to secure cabinet

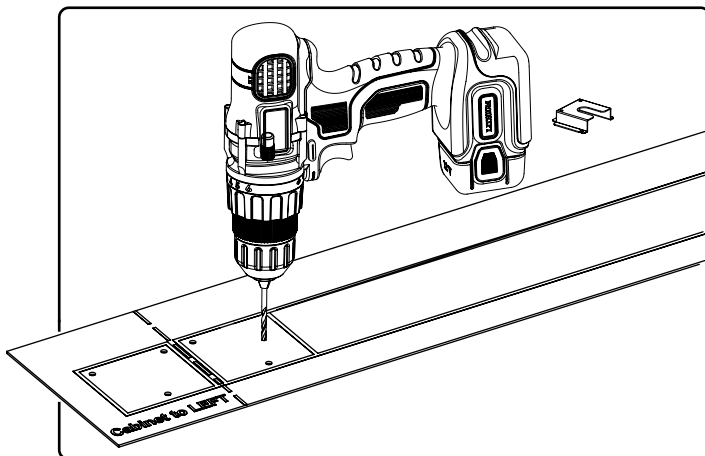


Installing the KAMADO anti tip brackets

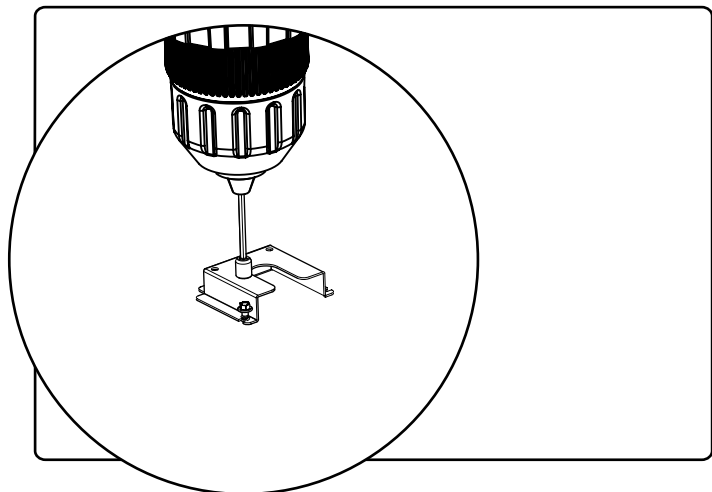
- 1** Determine the location of your cabinet
Place template on floor mark holes



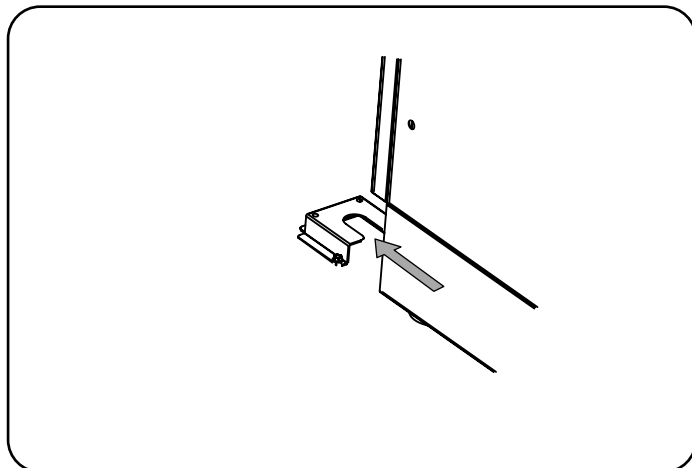
- 2** Drill with appropriate
drill bit for floor type



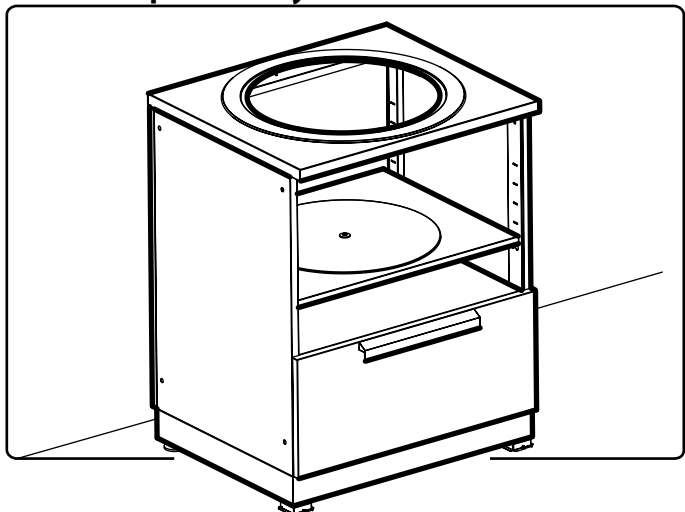
- 3** Fasten anti tip brackets on to floor
using the appropriate driver bit



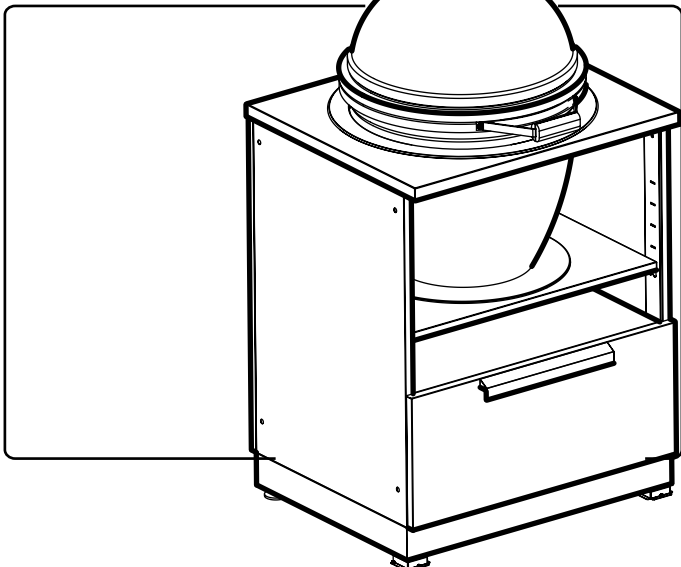
- 4** Once both brackets are attached to the
floor with 6 fasteners slide cabinet from
the back to engage brackets with the levelers



- 5** Both Levelers should now be
captured by bracket

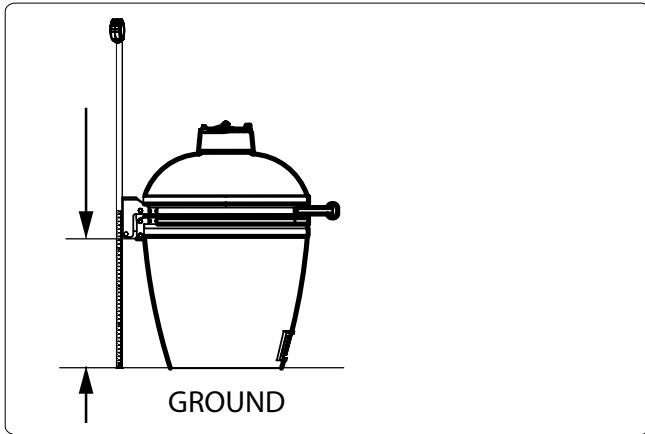


- 6** Next step install Kamado into cabinet

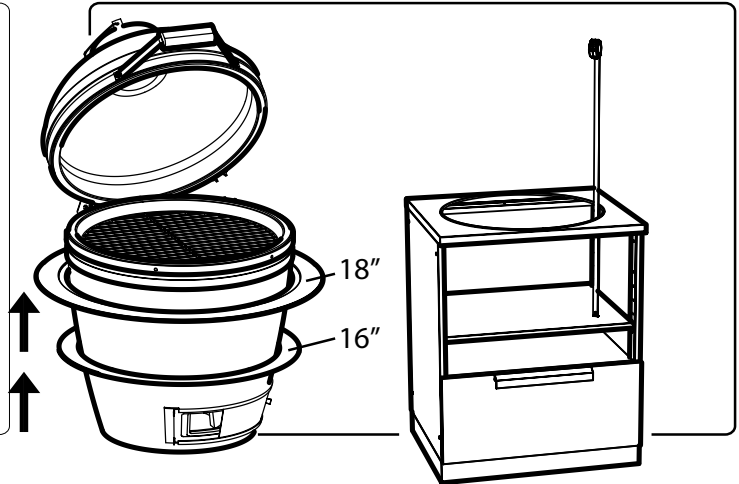


Installing the KAMADO into the cabinet

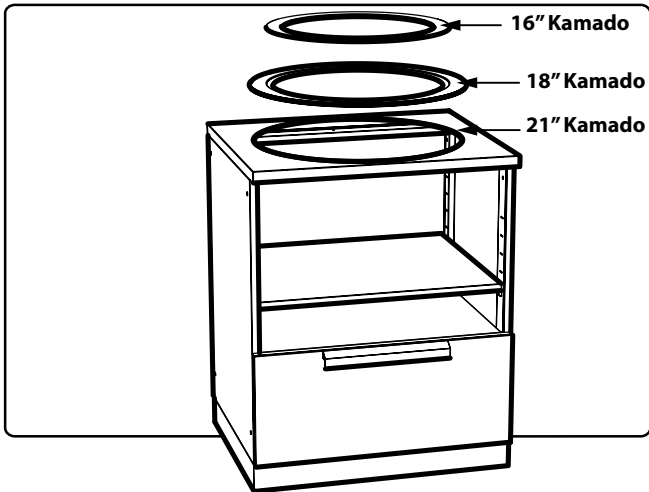
1 Measure From Base of Kamado to bottom of lid bracket at rear of unit.



2 Adjust shelf height to dimension from step 1, test rings for fit, slide up for fit.



3 Select the diameter ring according to Kamado size and test from step 2



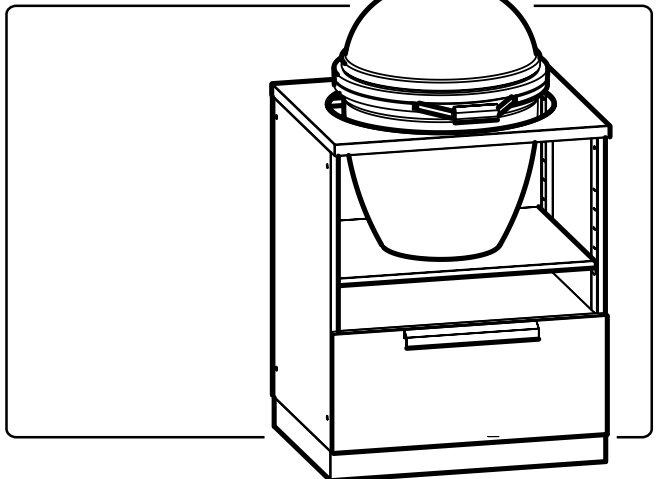
4 Up to 3 people will be required to lift up and place your Kamado into cabinet



5 Protect surface with cloth or cardboard

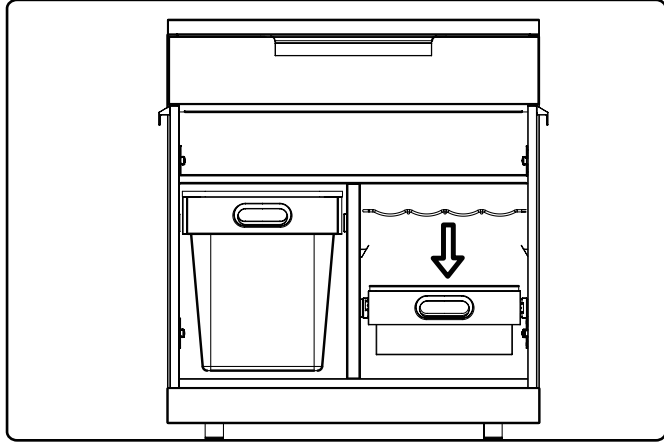


Rotate handle until it is parallel with front of cabinet

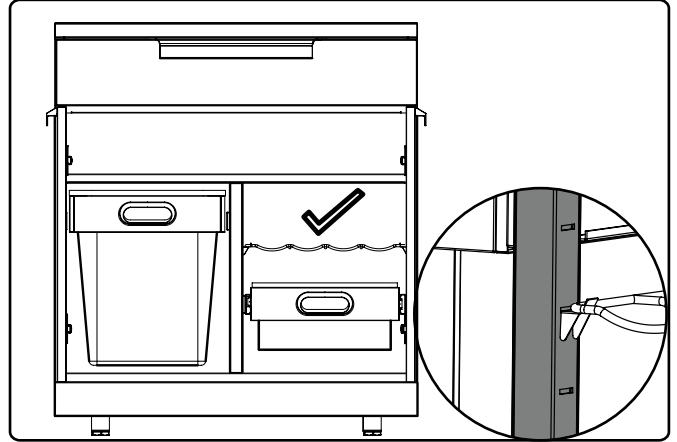


Wine Rack, Ice Tray and Garbage Bin Installation

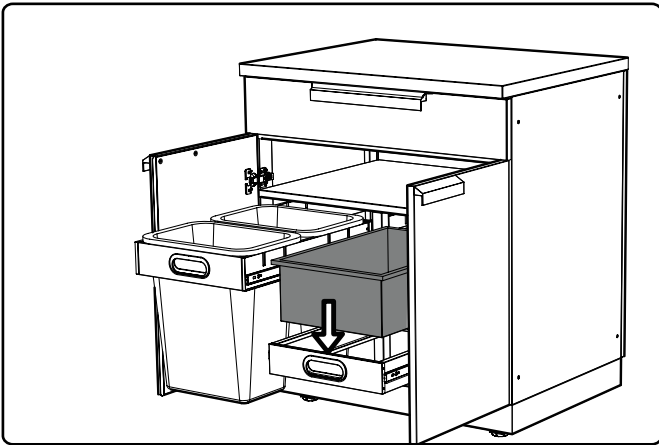
- 1** Open Doors. Set rack clips in the desired slot locations on the upright posts.



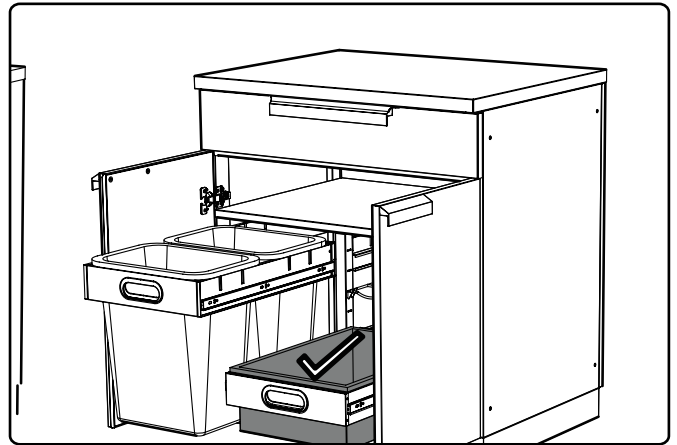
- 2** Set rack on top of 4 clips at the same level height. Store beverage bottles.



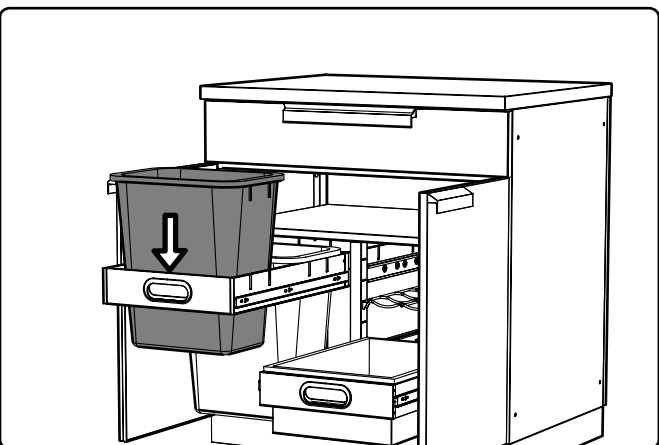
- 3** Remove and install beverage chilling tray with formed metal edge.



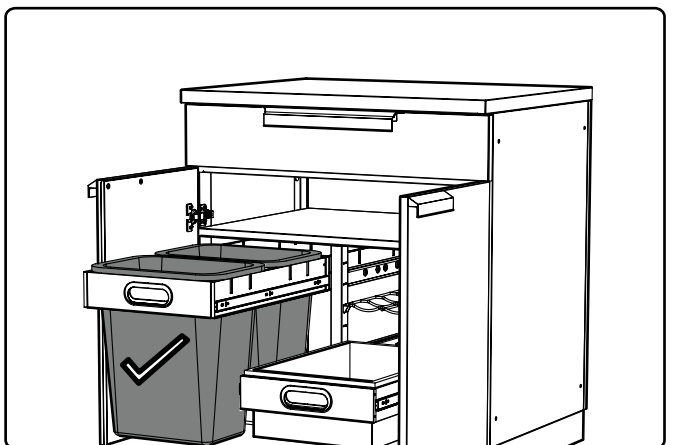
- 4** Slide beverage chilling tray into/out of pullout frame. Push in frame to dock.



- 5** Remove and install Garbage bins

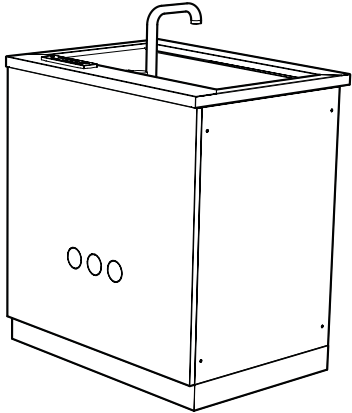
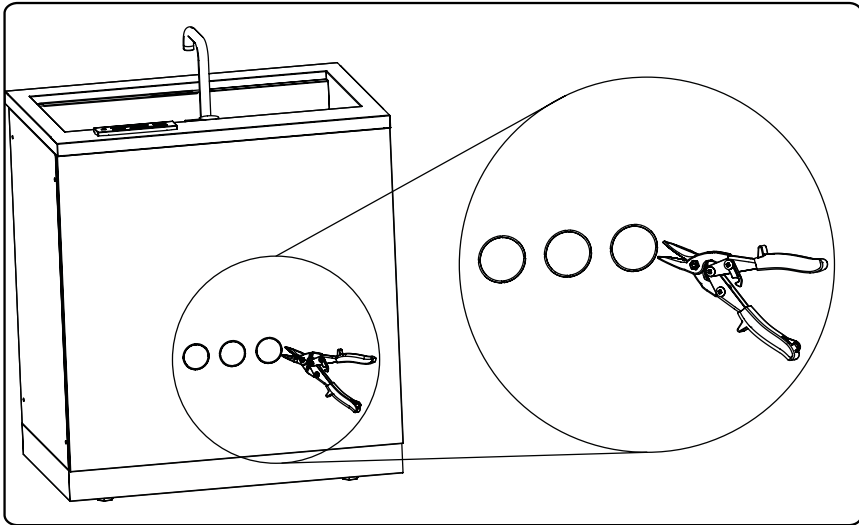


- 6** Slide Garbage bins into/out of pullout frame. Push in frame to dock.



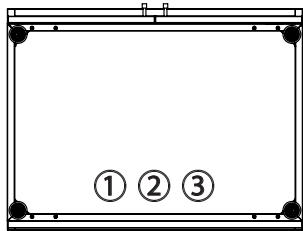
Plumbing Installation

Locate the 3 pre slotted holes in the back of the cabinet.
Using tin snips cut small webs to release the knockouts.

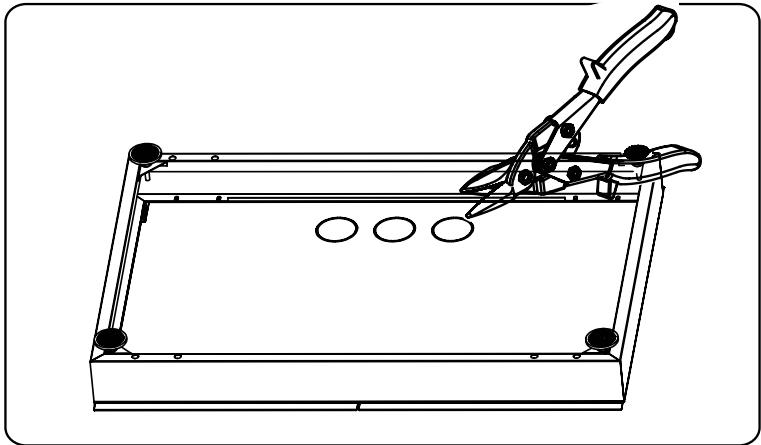


Back View of Sink Cabinet.

Locate the 3 pre slotted holes in the bottom of the cabinet.
Using tin snips cut small webs to release the knockouts.

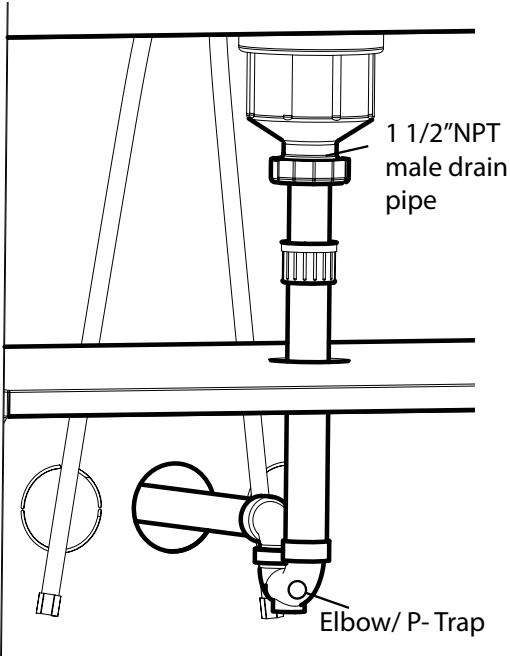
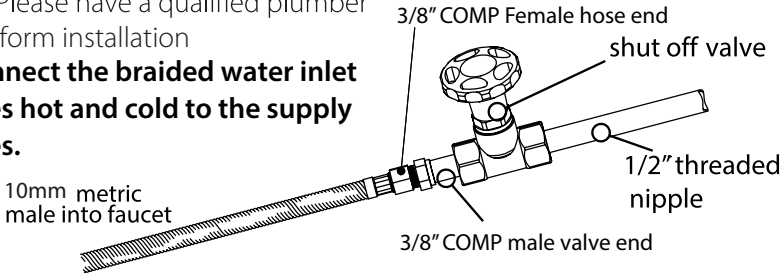


Bottom View of Sink Cabinet.



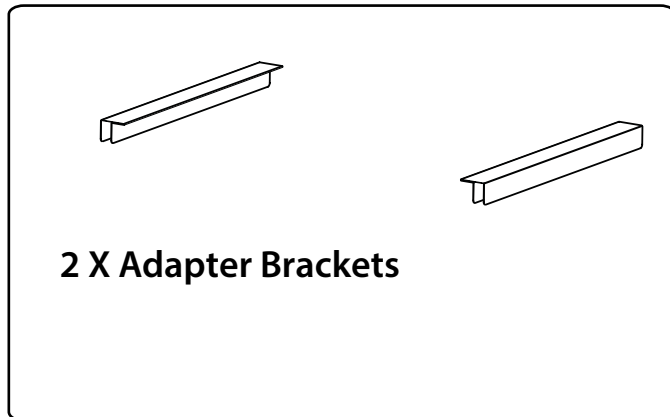
Connect the drain trap adapter to a p-trap and drainage tubing.

***Please have a qualified plumber perform installation
Connect the braided water inlet lines hot and cold to the supply lines.

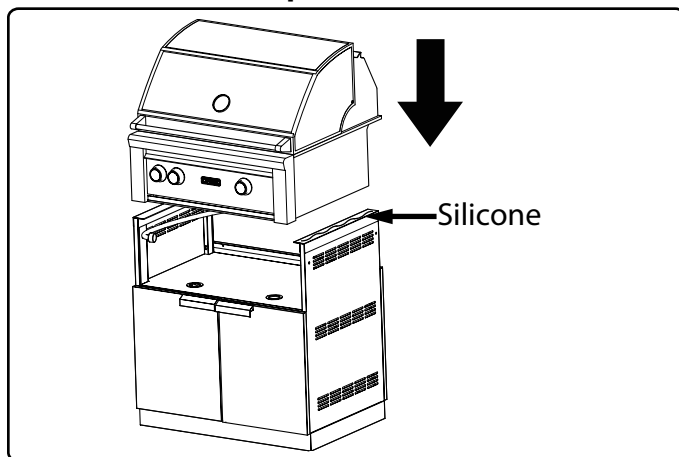


Installing the BBQ

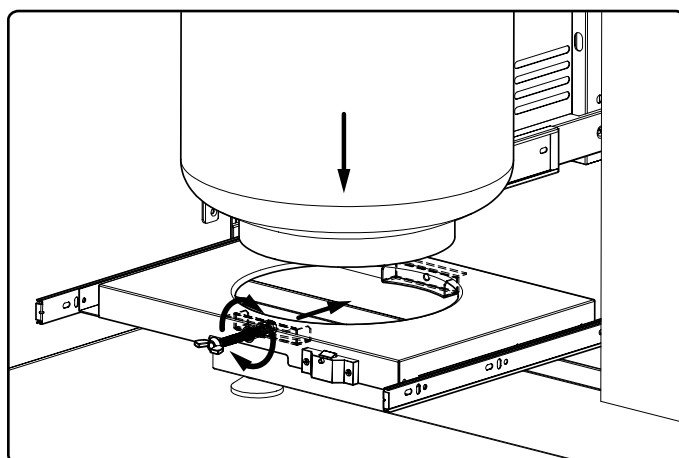
i Parts Needed.



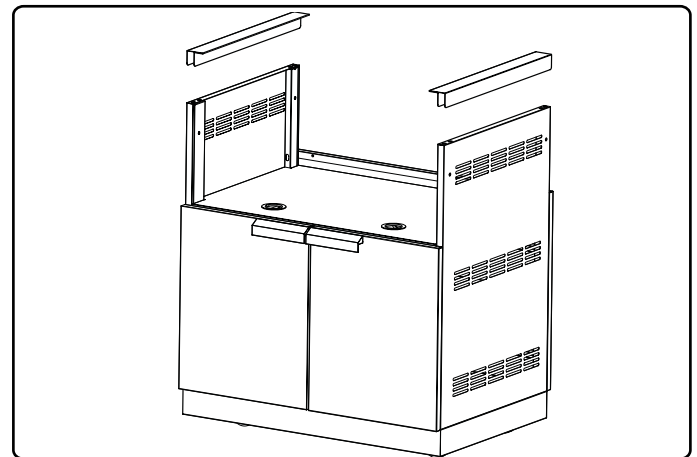
2 Place BBQ so that the rails touch the Brackets. Lift up edges of BBQ and Dab a little silicone on the rails to hold it in place.



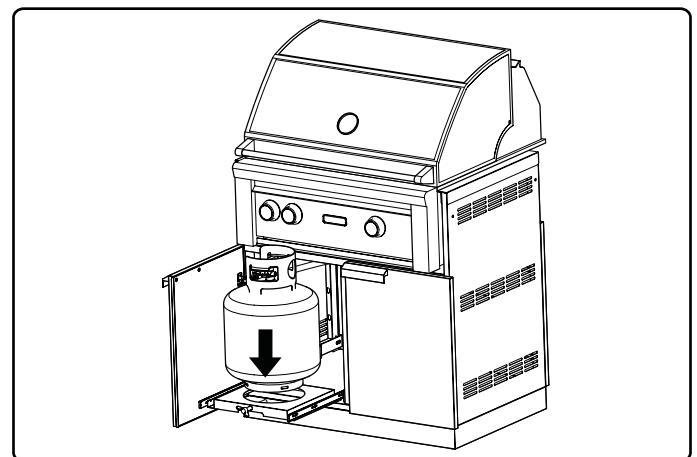
4 Turn Wing nut bolt until tank ring clamp engages with bottom tank ring



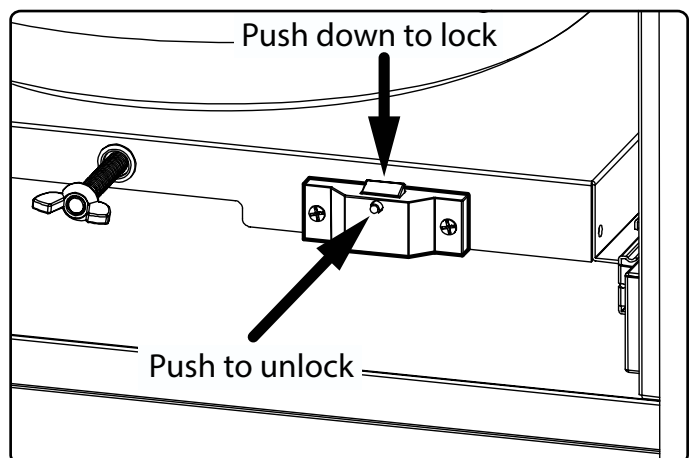
1 You may or may not need the adapter brackets depending on the model BBQ you choose.



3 Place the propane tank in the ring of the tank tray.

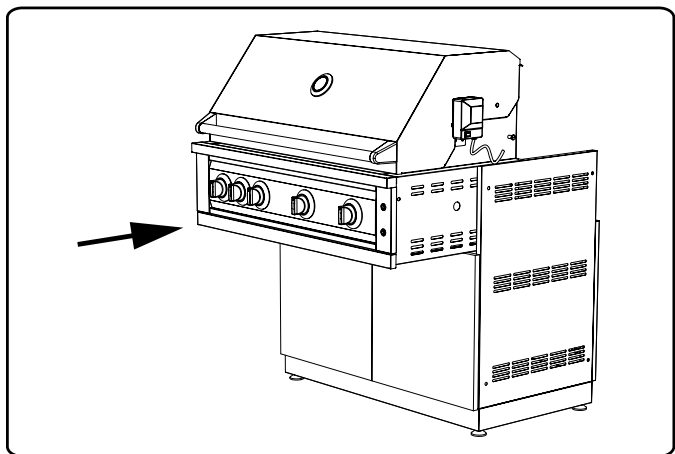


5 Once tank tray it pushed to the back of the cabinet, lock the tank tray by pushing down on the lock button. Push the release button to unlock.



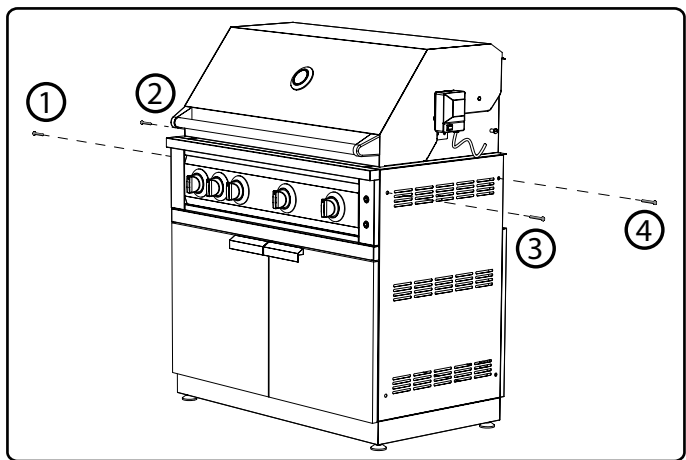
Installing Newage 33" and 40" Grill

1



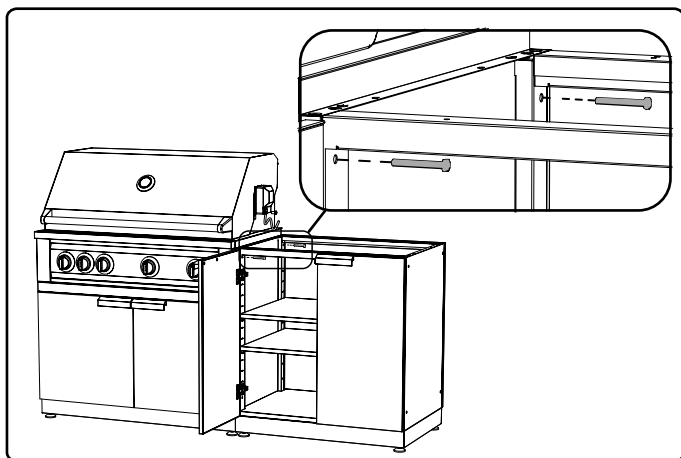
Place grill onto the cabinet.

2



Secure grill to cabinet by inserting four through mounting holes that line up with insert nuts on the side of the grill fire box.

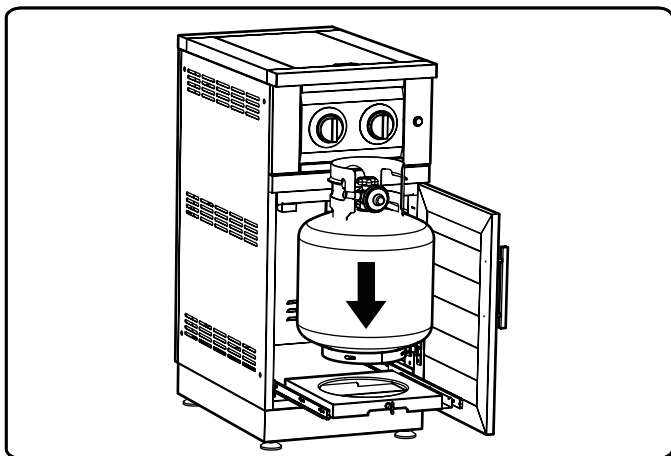
3



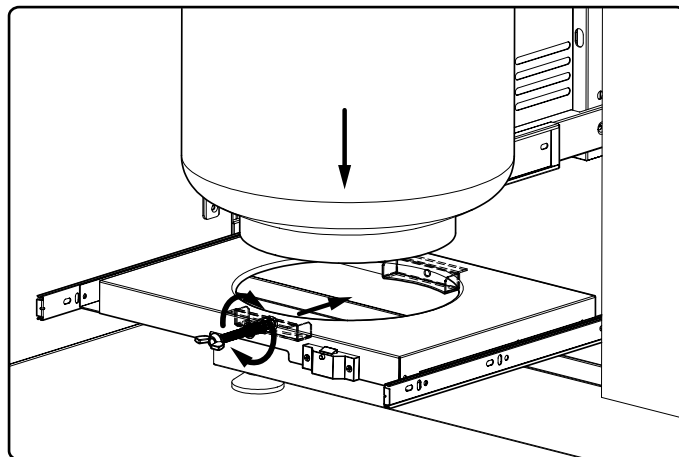
To add an additional cabinet, 45 mm bolts need to travel through mounting holes on both cabinets.

Installing Propane Tank

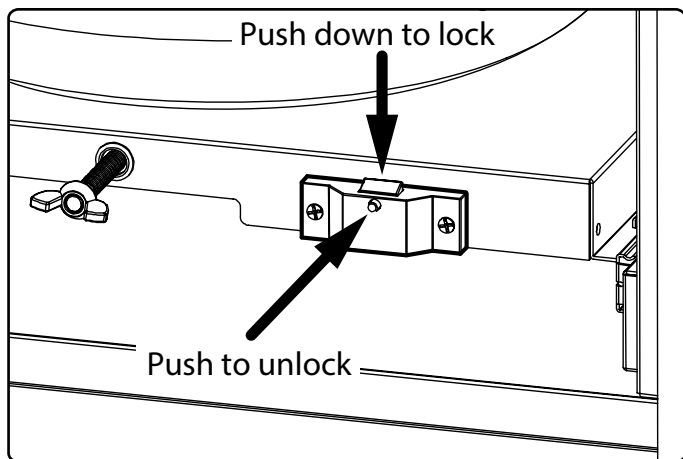
- 1** Place the propane tank in the ring of the tank tray.



- 2** Turn Wing nut bolt until the tank ring clamp which is underneath the tray is tight to the propane tank.

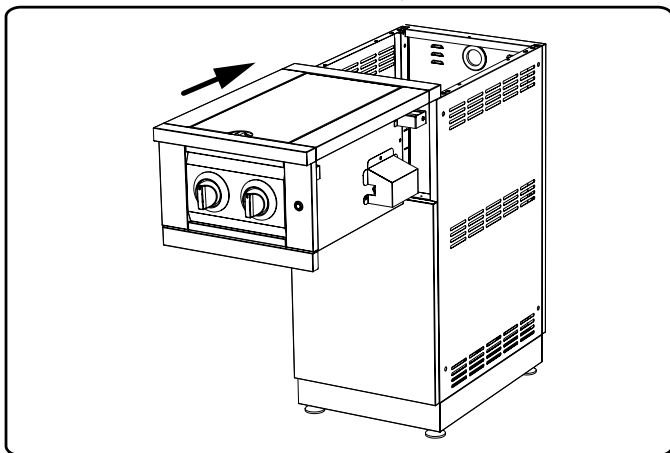


- 3** Once tank tray is pushed to the back of the cabinet, lock the tank tray by pushing down on the lock button. Push the release button to unlock.

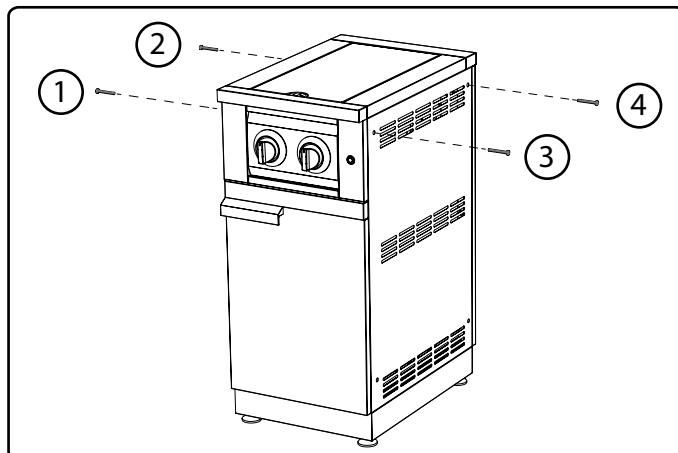


Installing NewAge 16" Dual Side Burner

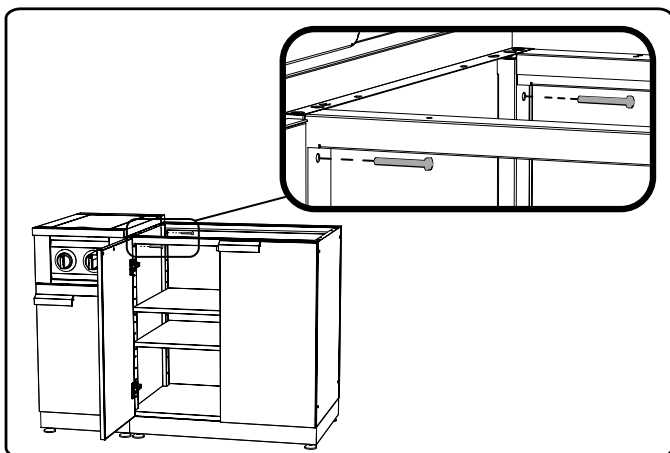
1 Place Dual Side Burner appliance onto cabinet.



2 Secure DSB to cabinet by inserting four 50mm bolts through cabinet mounting holes that line up with insert nuts on DSB.



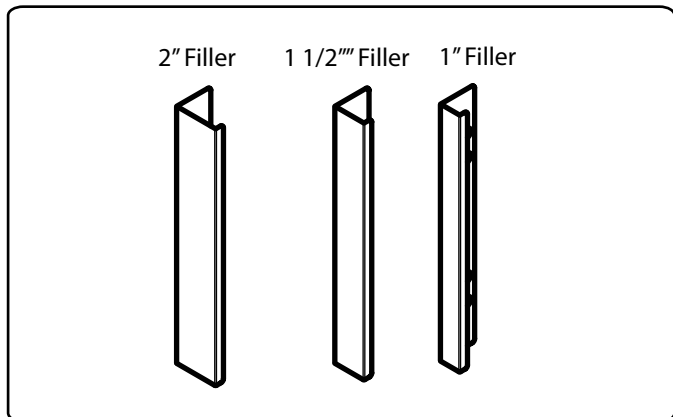
3 To add an additional cabinet, 60mm bolts need to travel through mounting holes on both cabinets.



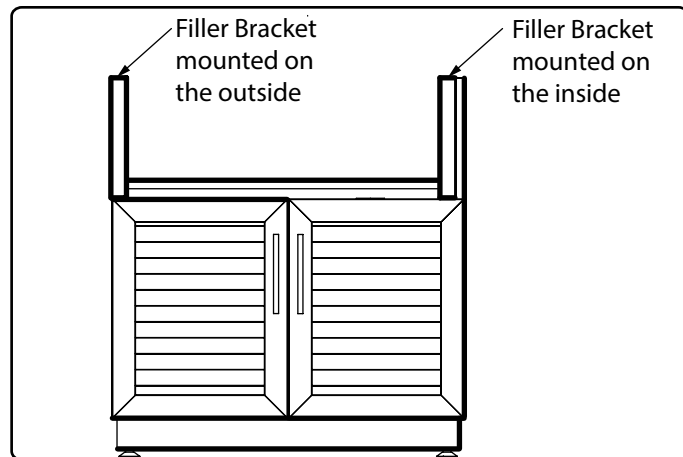
Installing the Filler Brackets

i Parts Needed.

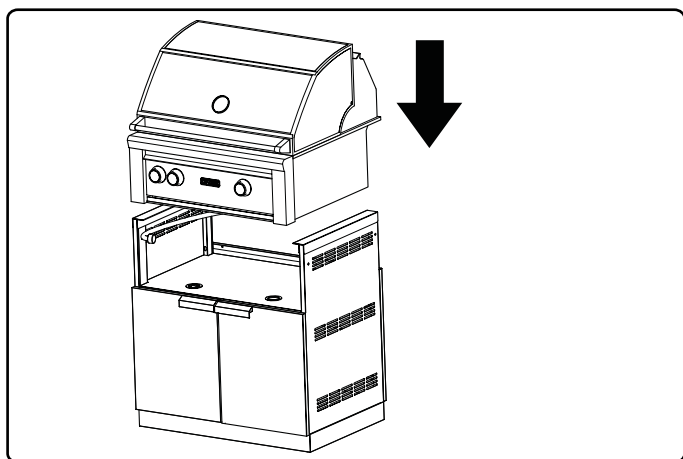
6 X Filler Brackets
select 2 similar
for application



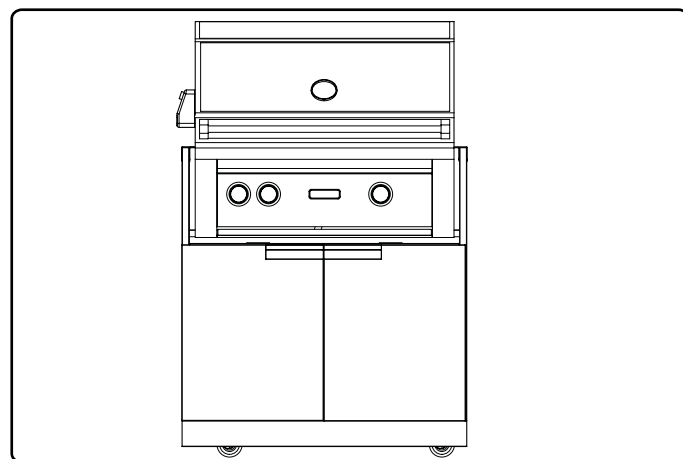
1 You can adjust the size of the spacing by installing the bracket on the outside or inside of the upright



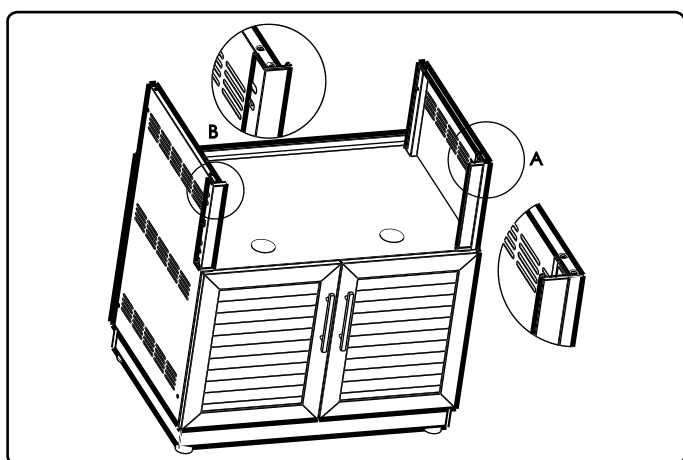
2 Place BBQ so that the rails touch the Brackets



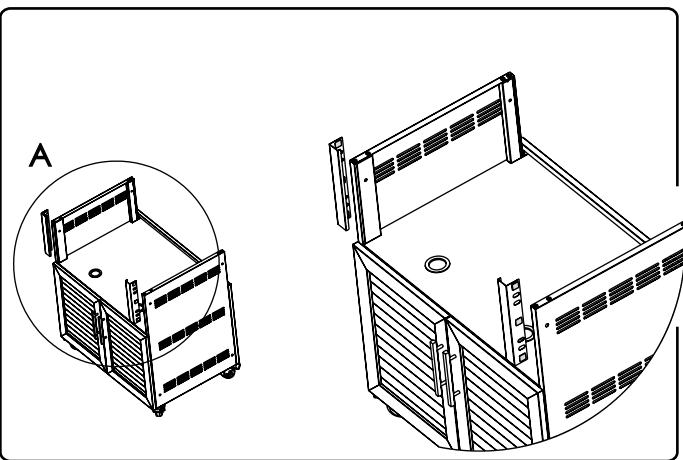
3 Once the BBQ is centered on the Cabinet determine which size will work for you.



4 Each filler piece can be mounted inside or outside of cabinet upright. Use supplied double sided foam tape.



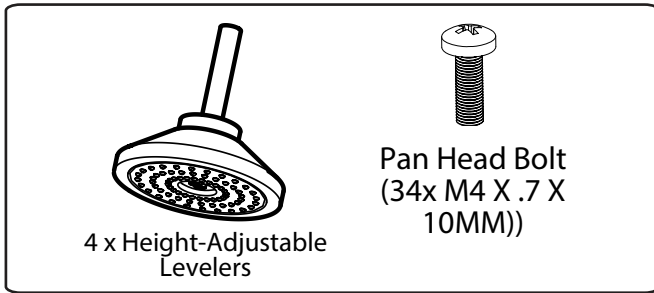
5 Locate double sided foam tape squares in these locations avoiding slot holes.



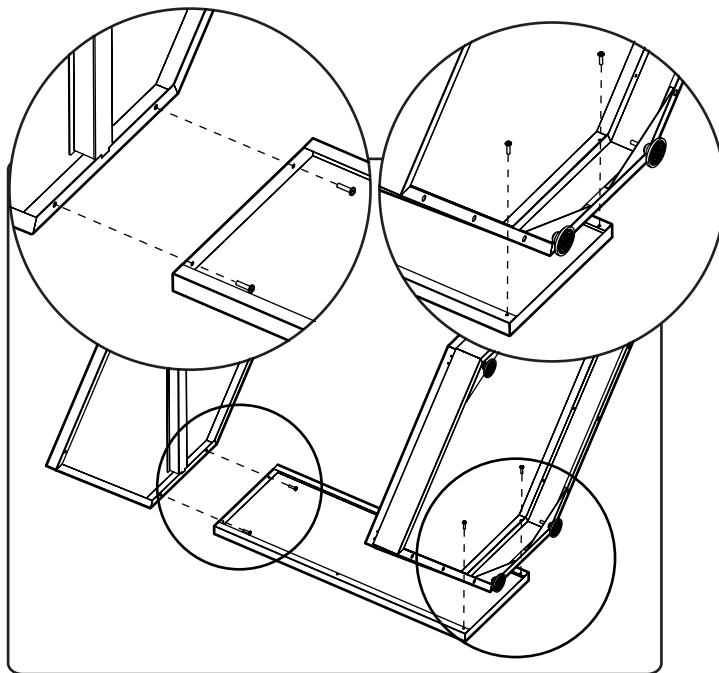
Frame Assembly

90 Degree Specific Instructions

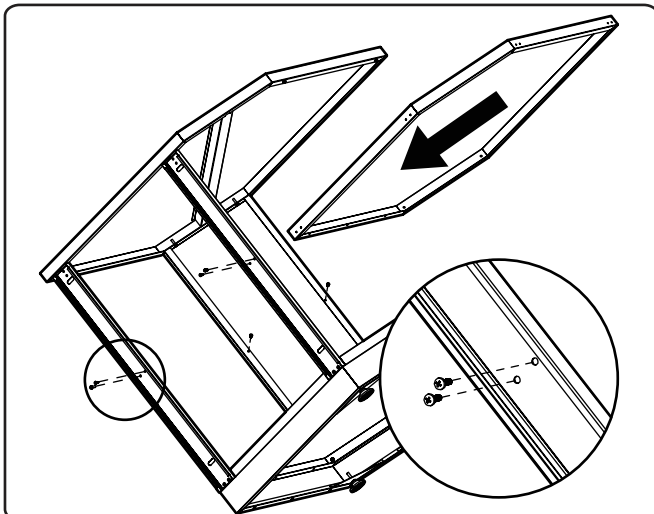
i Parts Needed.



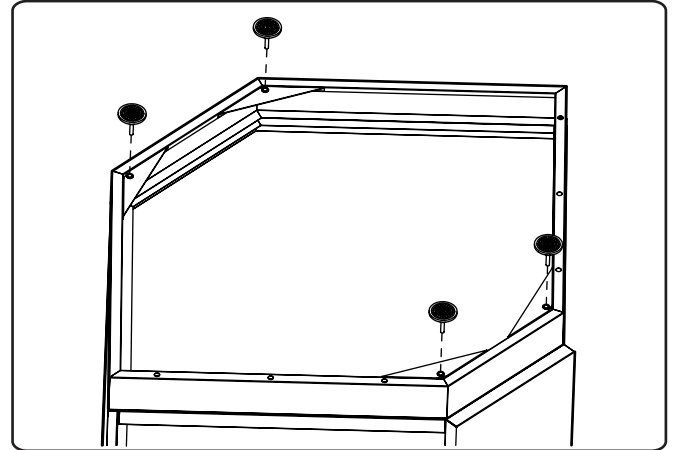
2 Attach Top, Back Panel and Base with 4 x M4 x 10mm pan head bolts



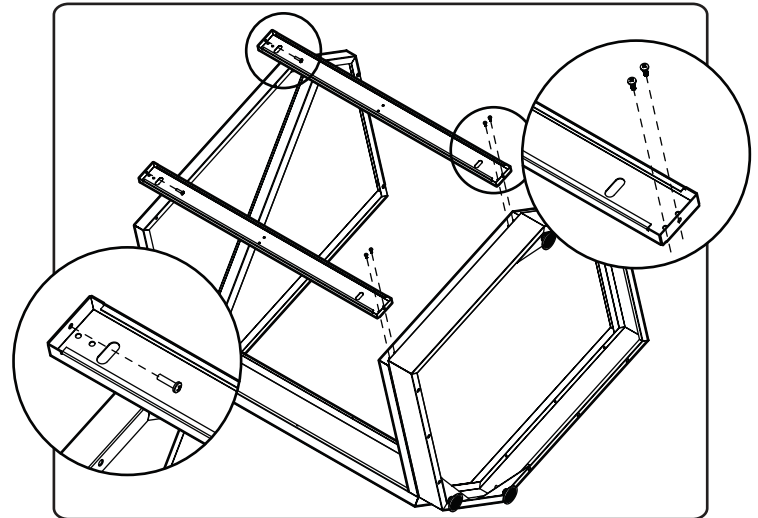
4 Attach shelf to vertical supports using 4X M4X.7X10MM Pan Head Bolts



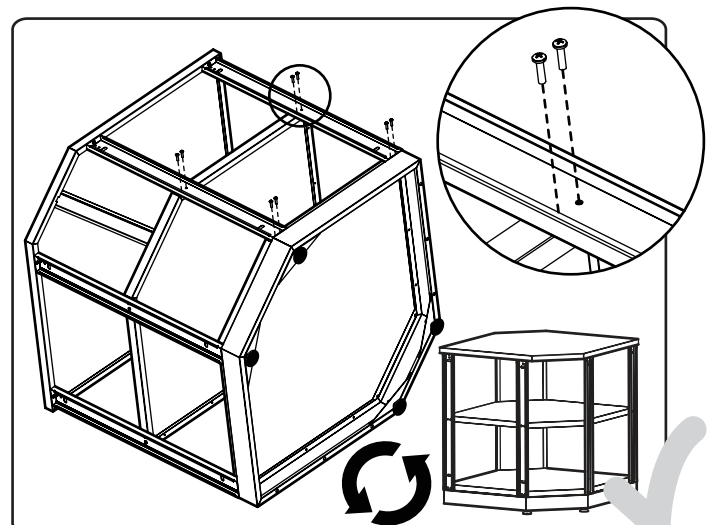
1 Attach 4 Levelers to 4 corner brackets with insert nuts



3 Attach 2 uprights to assembly using 4 x M4x10mm pan head bolts

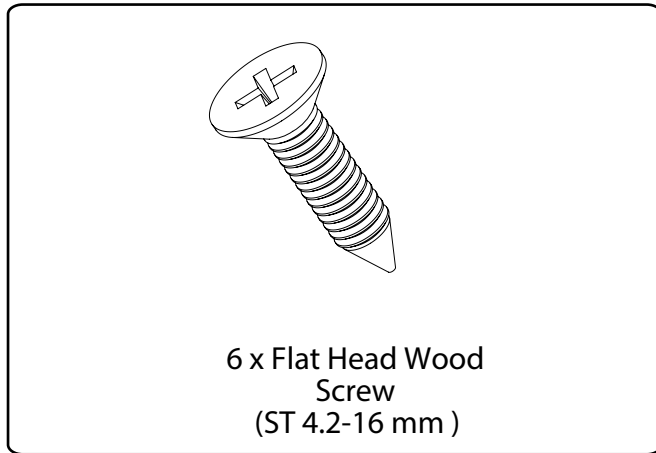


5 Repeat step 4 for 2 more vertical supports.

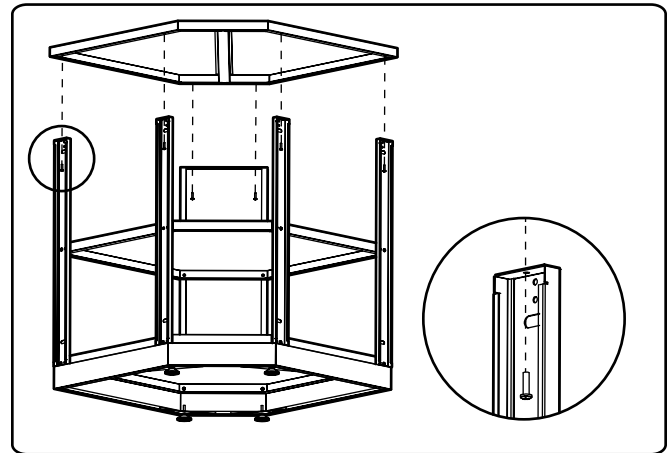


Frame Assembly for Granite Top

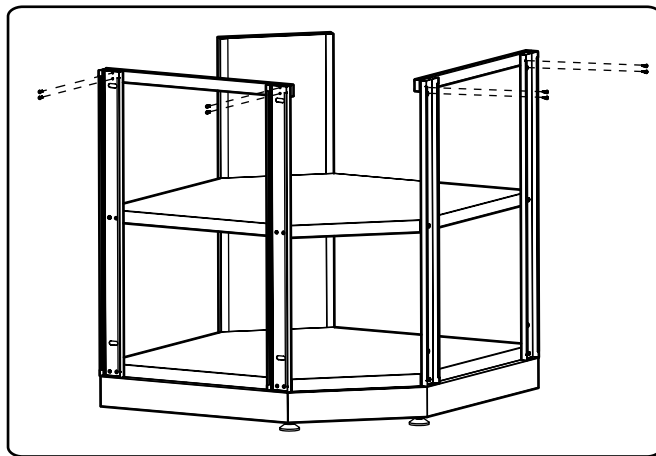
i Parts Needed.



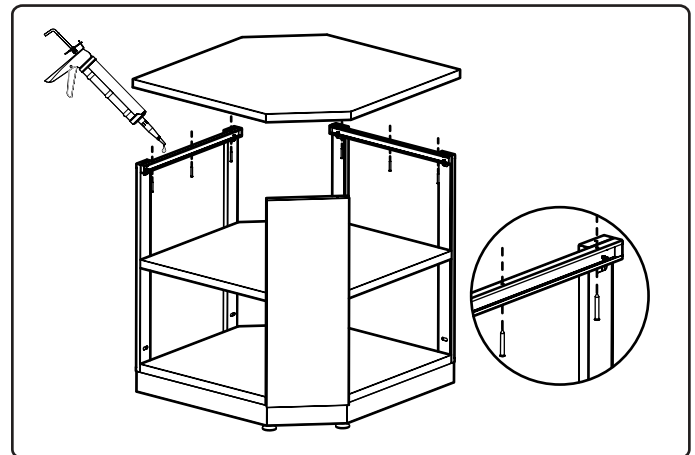
1 Undo Stainless Steel Top by removing 6 x Pan head M4 X .7 X 10MM bolts



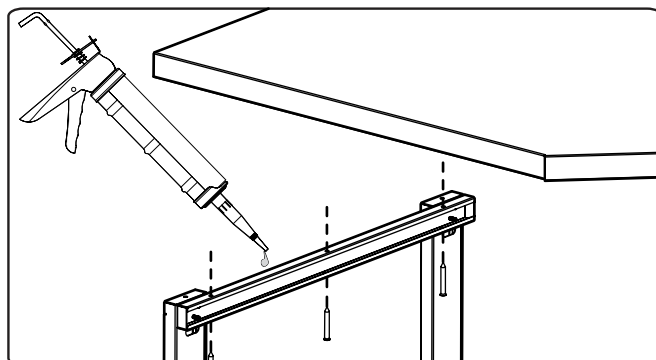
2 Attach 2 included Granite rails using 4 x M4 X .7 X 10MM pan head bolts at top of supports



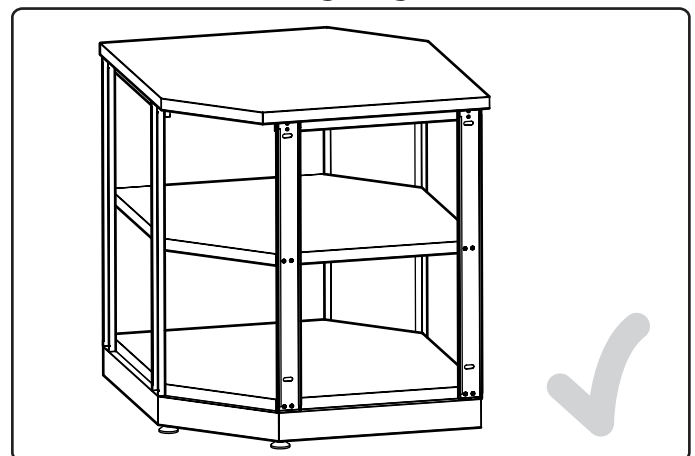
3 Attach Granite corner top with 6 x ST 4.2-16 mm flat Head wood screws into Outdoor plywood granite backer



4 Add silicone using 8 small dab to hold top in place. Wipe up any extra silicone that seeps out during installation.

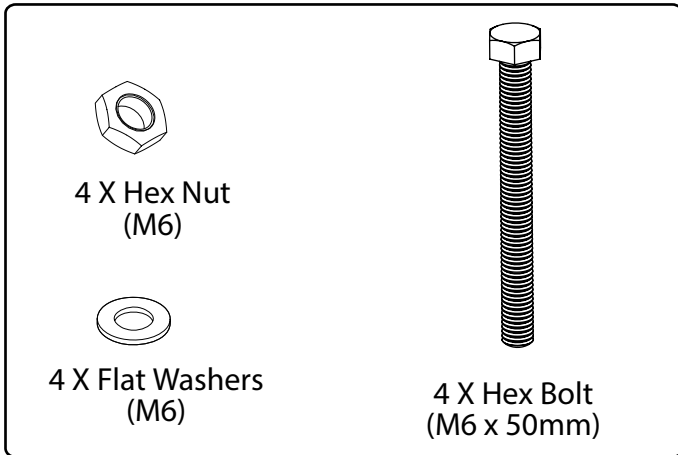


5 Allow the silicone to dry for 24 hours before loading weight on shelf.

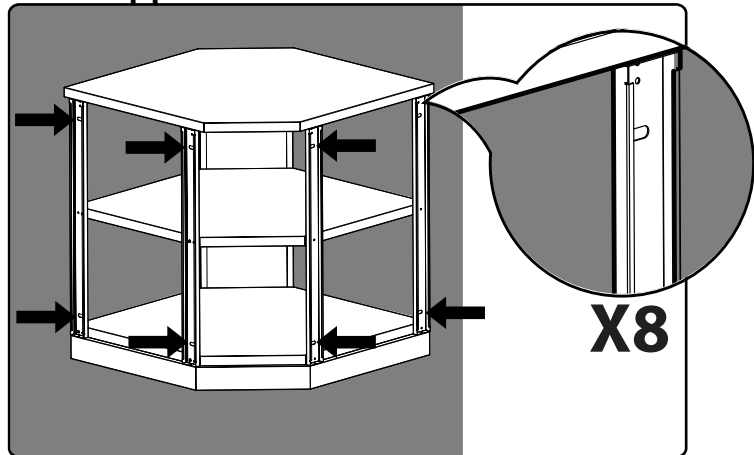


Fastening Cabinets

1 Parts Needed.

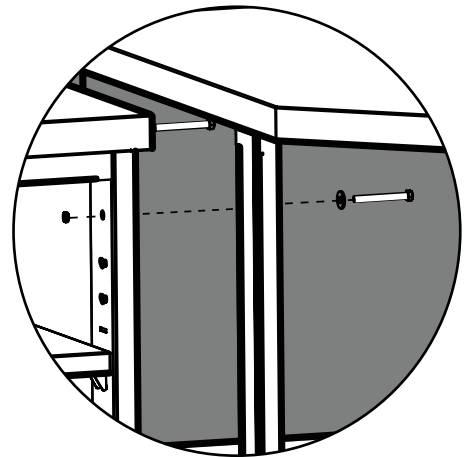
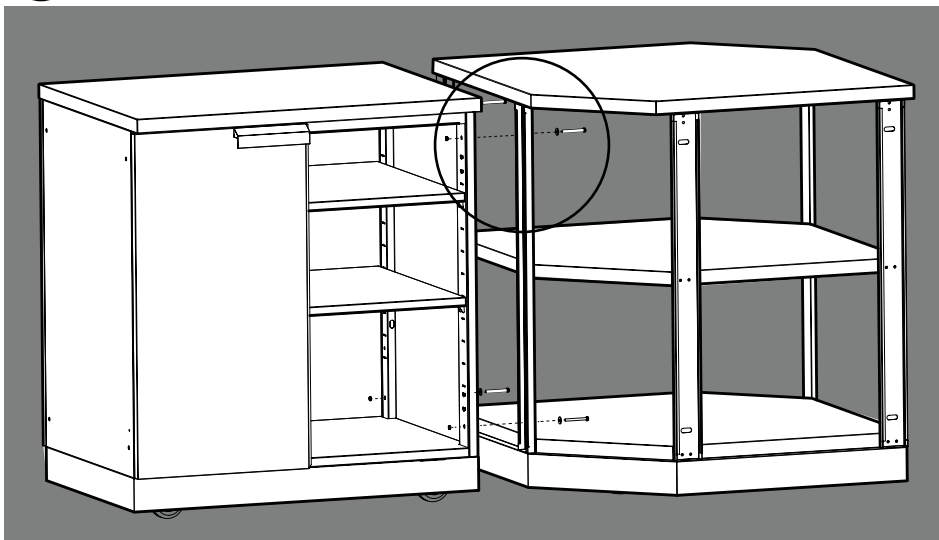


2 Locate bolt slots on upright supports.



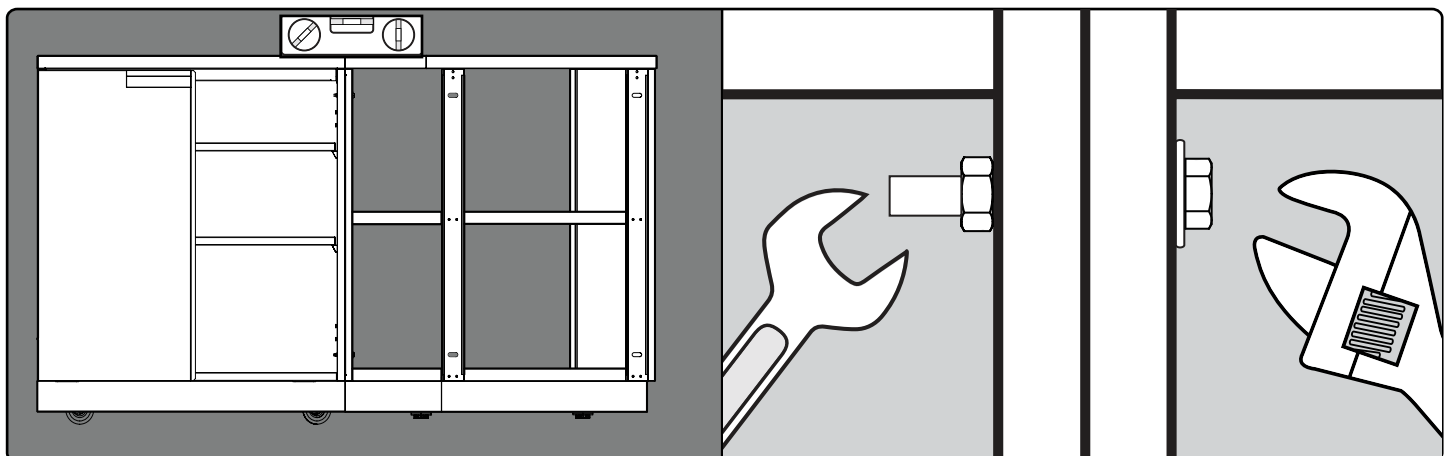
*** Door removed for ease of explanation ***

3 Align hole locations, put bolt and washer through holes tighten nut lightly.



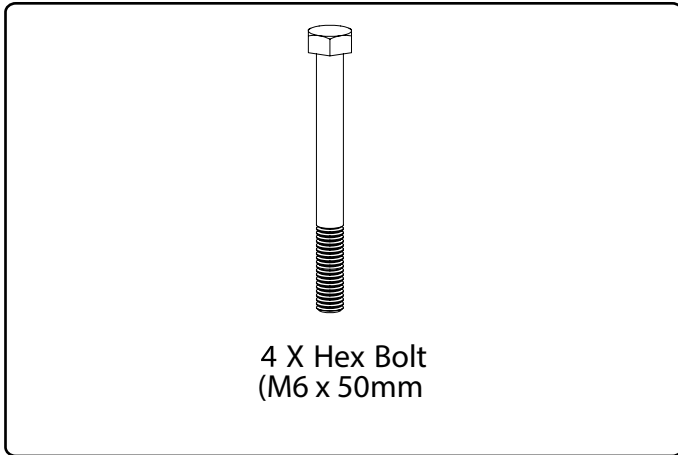
X4

4 Level cabinets and tighten all bolts.

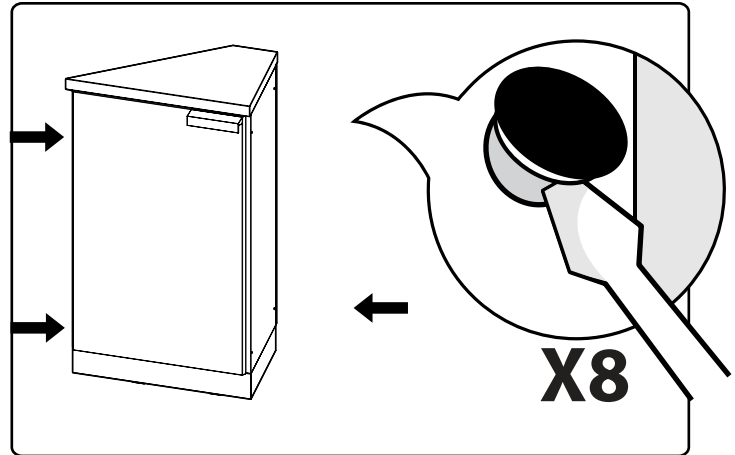


Fastening Cabinets

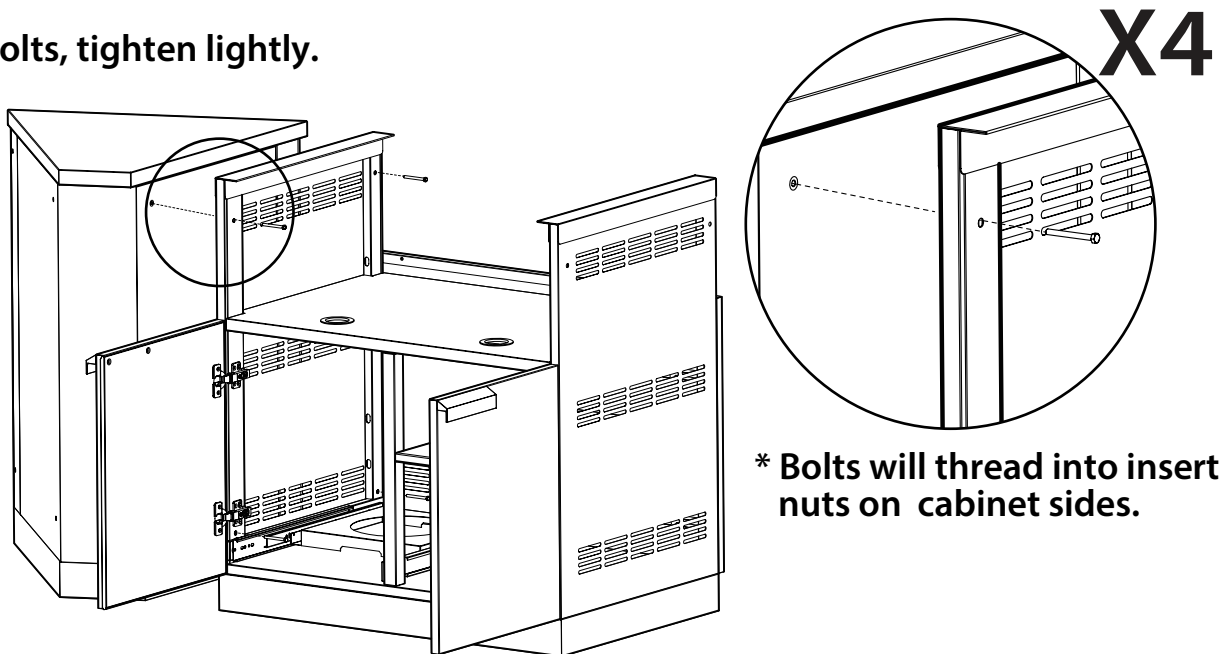
1 Parts Needed.



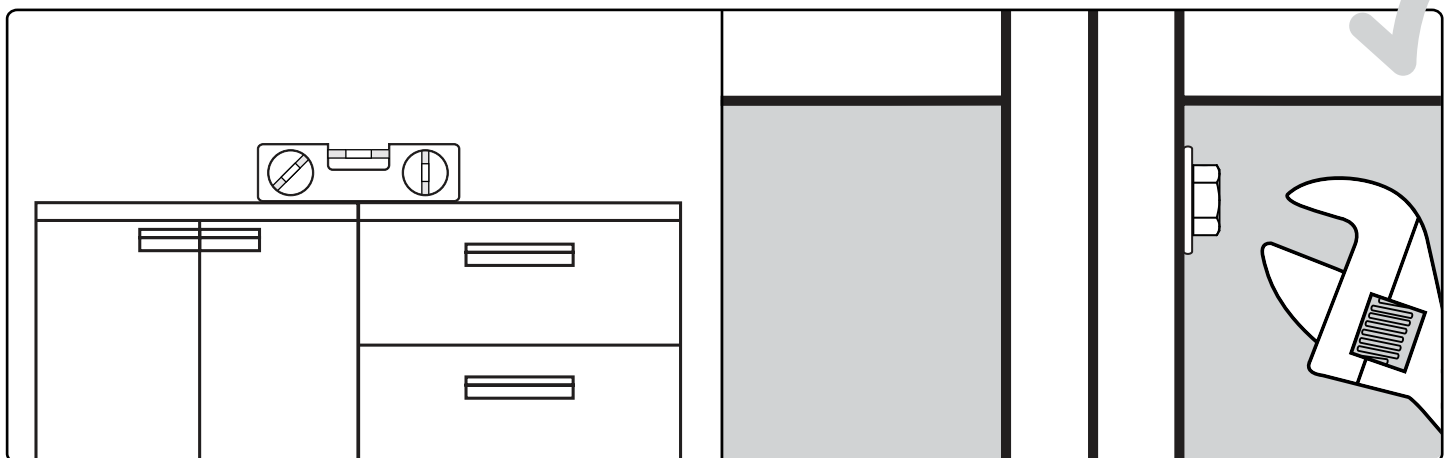
2 Remove plastic caps from cabinet if installed.



3 Align bolts, tighten lightly.



4 Level cabinets and tighten all bolts.



Care and Maintenance of your Aluminum and Glass Cabinets

Perform Regular Maintenance

Wash regularly with clean fresh water, mild detergent and a micro fiber cloth.

After washing rinse in clean water and wipe the surface dry with your cloth remembering to dry off glass and Aluminum surface. Generally you should wash your Aluminum Cabinets every three months. Coastal areas or next to a chlorine pool more frequently every 2 weeks.

Do not use abrasive cleaners or a scouring pad of any type as they will cause excessive wear and dull the painted and anodized finish.

Powder Coated finishes in coastal environments may show a milky film if not washed regularly.

Do not allow food liquids to remain on the surface to any extended time. For better protection use a thin coating of protectant on the surface. We do not recommend using this coating for food prep areas. Prevention is the best course of action in maintenance.

List of common conditions that cause corrosion or discoloration of Coating on Aluminum and should be avoided:

1. Chloride containing cleansers – this includes bleach and any cleaners containing bleach
2. Muriatic acid (hydrochloric acid) – commonly used to clean up after tile/concrete installation
3. Concentrated soap residue – chemical additives will cause discoloration and some dried soaps actually look like rust
4. Strong acid or strong alkaline will hurt surface, like acetone, butanone, rice vinegar, white wine, mustard etc.
5. Trapped moisture between the product and cover – rubber mats, metal cans or cleaner cans- Allow cabinets to completely dry before covering.
- 6.. Salts – contain chlorides
- 7.. Extreme Heat by Flame
8. Do not permit citrus or tomato juice to remain on stainless steel surfaces.
9. No abrasive cleaners, steel wool pads, or abrasive cloths as they will scratch the finish.

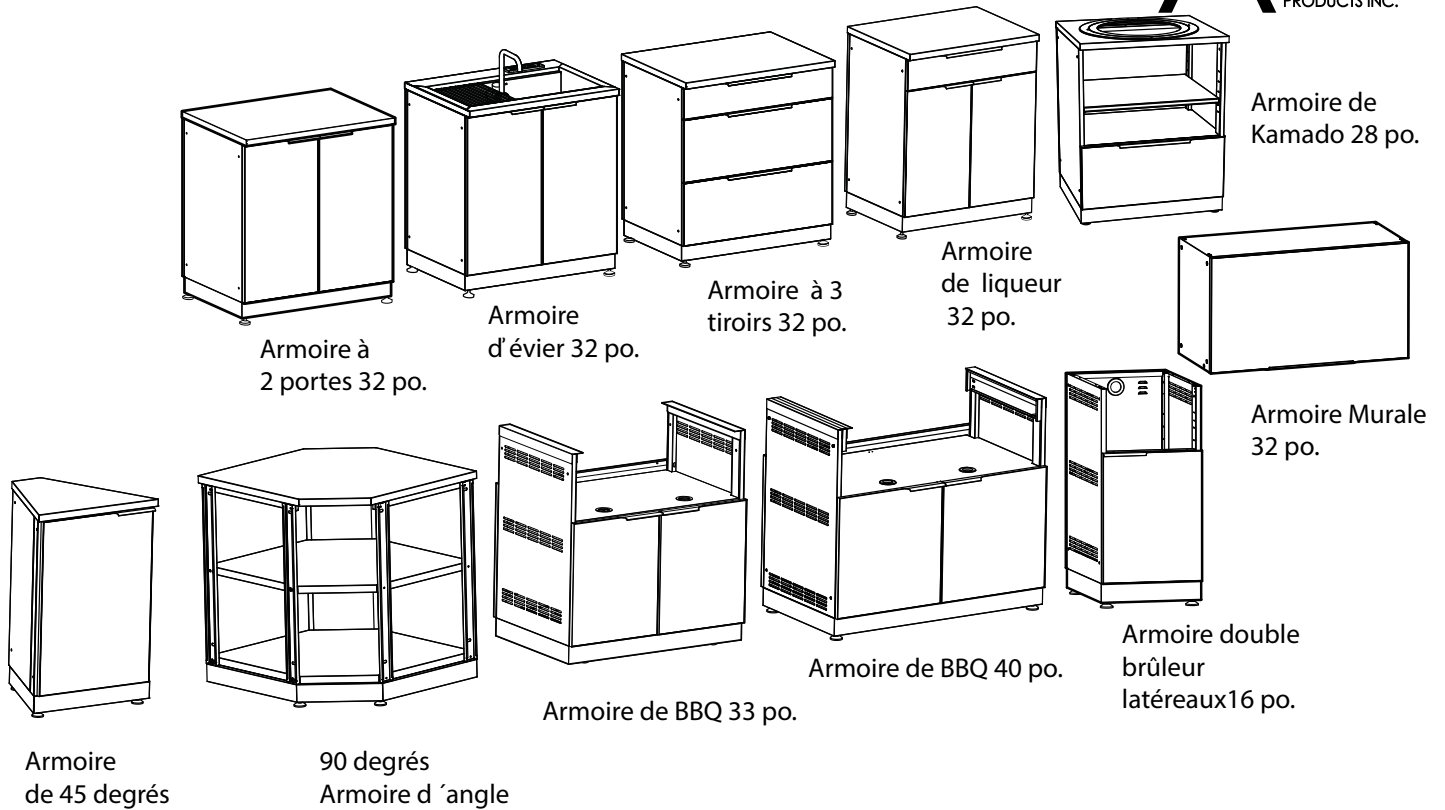
OXIDIZATION Removal

If you have oxidation there are a few steps to take to bring your Aluminum cabinets back to “as new” condition.

Apply clean water with a cleaning sponge and rub gently in the direction of the grain. If the mark won't shift, it may be necessary to use a stainless steel cleaner, in which case apply the cleaner and rub gently. After cleaning it is important to rinse the stainless steel with clean fresh water and buff with a soft cloth. Remember to always rub with the grain, NEVER across as you will ruin the finish, and the stainless can lose its shine. If you must use a scourer, use a plastic scrub pad with no metal content.

Cuisine Extérieure en aluminium verre gris -pour la série d'armoires

NEWAGE
PRODUCTS INC.



AVERTISSEMENT: RISQUE DE POIDS EXCESSIF!

Déplacer, assembler ou installer les armoires et armoires-vestiaires avec l'aide de deux personnes ou plus. Dans le cas contraire, il pourrait en découler des blessures au dos ou autre. Ne pas laisser les enfants sans surveillance près des armoires. Risque élevé de basculement si les armoires ne sont pas installées correctement : Fixer solidement les armoires au mur pour éviter des blessures graves. Pour obtenir de l'aide, composer le 1.877.306.8930; au R.-U., composer le 0800.031.4069; ou envoyer un courriel à l'adresse info@newageproducts.com.

ATTENTION: Est votre armoire endommagée? Avez vous besoin d'aide ou de pièces de rechange? Contactez NewAge Products a 1-877-306-8930; ou support@newageproducts.com. Ne pas retourner au détaillant.

65000-Séries Armoire

Capacité de poids

200 lbs.
115 lbs.
115 lbs.
200 lbs.

Armoire à 2 portes 32 po.
Max 630 lbs.

Capacité de poids

200 lbs.
75 lbs.
100 lbs.

Armoire d'évier 32 po.
Max 375 lbs.

Capacité de poids

200 lbs.
75 lbs.
75 lbs.
75 lbs.

Armoire à 3 tiroirs 32 po.
Max 425 lbs.

Capacité de poids

200 lbs.
BBQ
115 lbs.
200 lbs.

Armoire de BBQ 33 po.
Max 515 lbs.

Capacité de poids

200 lbs.
75 lbs.
75 lbs.

Armoire de liqueur 32 po.
Max 350 lbs.

Capacité de poids

100 lbs.
50 lbs.
50 lbs.
100 lbs.

Armoire de 45 degrés
Max 300 lbs.

Capacité de poids

50 lbs.
50 lbs.
100 lbs.

90 degrés Armoire d'angle
Max 200 lbs.

Capacité de poids

50 lbs.
75 lbs.
75 lbs.

Armoire Murale 32 po.
Max 200 lbs.

Capacité de poids

200 lbs.
BBQ
115 lbs.
200 lbs.

Armoire de BBQ 40 po.
Max 515 lbs.

Capacité de poids

100 lbs.
300 lbs.
75 lbs.

Armoire de Kamado 28 po.
Max 475 lbs.

Capacité de poids

45 lbs.
200 lbs.

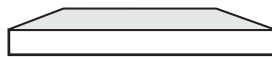
Armoire double brûleur latéraux 16 po.
Max 245 lbs.

Déballage

- Pour commencer, posez l'emballage sur une surface plane protégée.
- Enlevez tous les matériaux d'emballage en carton et en mousse, ainsi que les sacs de plastique transparent.
- Jetez ou recyclez tous les matériaux d'emballage.
- Vérifiez tout le contenu de la boîte et assemblez tous les outils requis. Voir les rubriques intitulées « Pièces fournies » et « Outils requis » ci-dessous.

Plans de travail

Plan de travail de 16 po —
s'adapte sur une armoire



Plan de travail de 32 po —
s'adapte sur une armoire



Plan de travail de 56 po —
s'adapte sur une armoire et le coin frigo



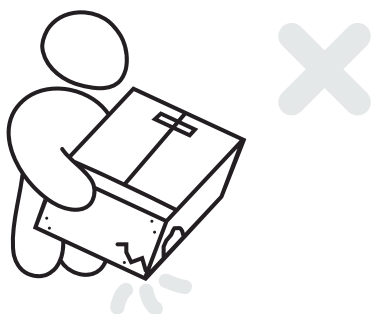
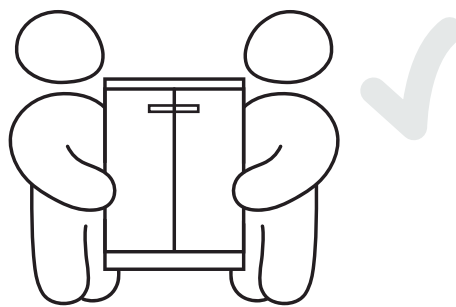
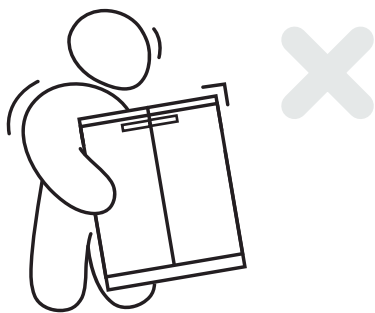
Plan de travail de 64 po —
s'adapte sur deux armoires



Plan de travail de 88 po —
s'adapte sur deux armoires et le coin frigo

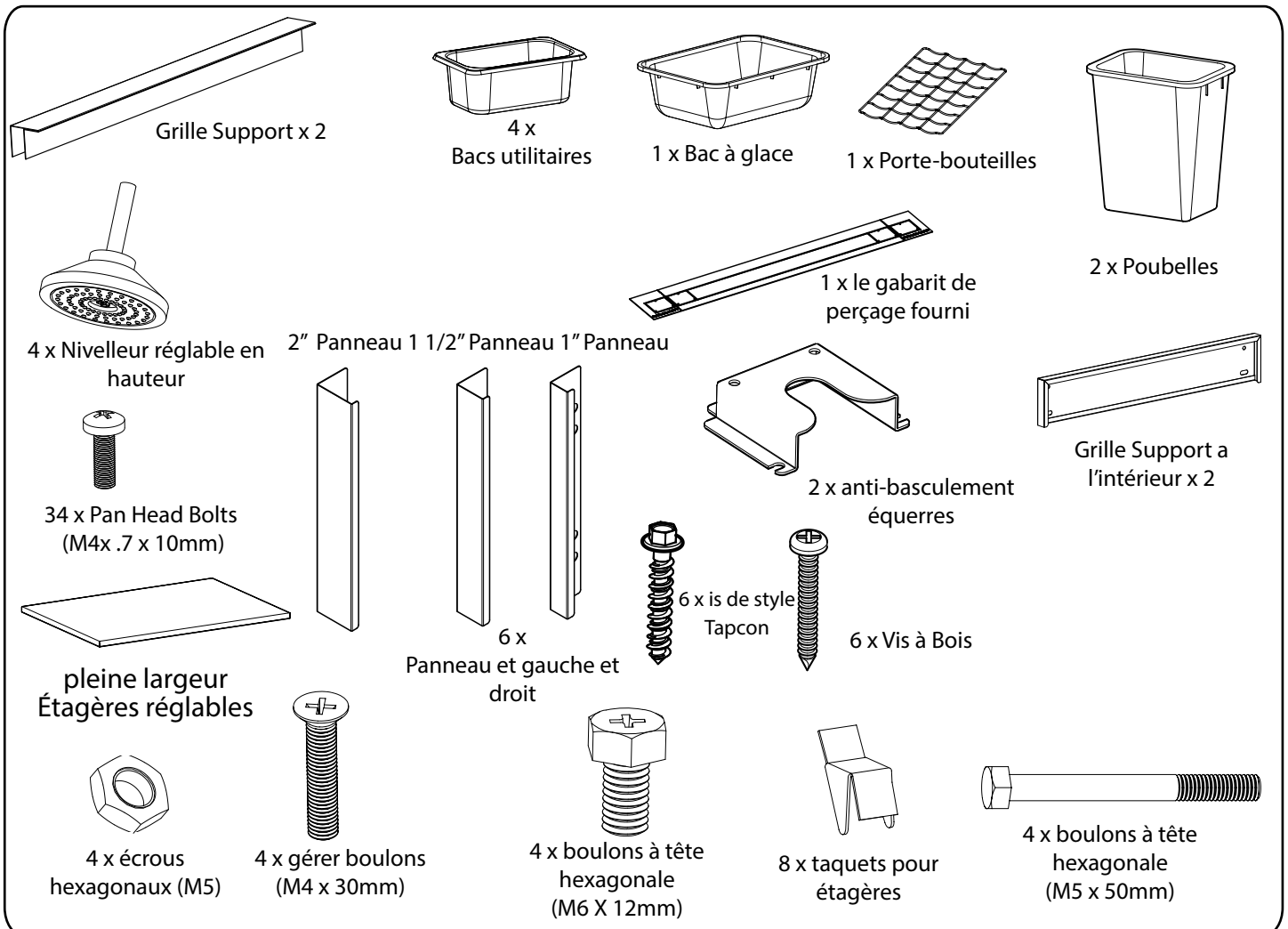


Plan de travail de 96 po —
s'adapte sur trois armoires



Pièces fournies

Catégorie	Quincaillerie	Armoire à 2 Portes - 32 po	Armoire d'évier de 32 po	Armoire à 3 Tiroirs 32 po	Armoire de liqueur - 32 po	Armoire de BBQ - 33 po	Armoire de BBQ - 40 po	Brûleurs latéraux - 16 po	Kamado de 28 po	45 Degrés	90 Degrés
Set de quincaillerie	Boulon pour poignées (M4 x 25)	4	4	6	6	4	4	2	2	4	0
	Boulon à tête hexagonale (M6x 50mm)	4	4	4	4	4	4	4	4	8	8
	Boulon à tête hexagonale (M6 x 12mm)	0	0	0	0	0	4	0	0	0	0
	Boulon à tête ronde (M4 x .7 x 10MM)	0	0	0	0	0	0	0	0	0	34
	Écrou hexagonal (M6)	4	4	4	4	4	4	4	4	0	8
	Rondelle (M6)	0	0	0	0	0	0	0	0	0	8
	Vis à béton	0	0	0	0	0	0	0	6	0	0
	Vis à bois(4.2 x 16)	0	0	0	0	0	0	0	6	0	0
	Modèle pour les support d'anti-basculen	0	0	0	0	0	0	0	1	0	0
	Attaches pour étagères	8	4	0	4	0	0	0	4	0	0
Accessoires supplémentaires	Bouchons en plastique	20	16	14	18	12	16	10	27	12	58
	Niveleurs réglables en hauteur	8	8	8	8	8	8	8	8	0	0
		4	4	4	4	4	4	4	4	8	4
Composants inclus		12	12	12	12	12	12	12	12	8	4
	Bac à glaçons	0	0	0	1	0	0	0	0	0	0
	Étagère à vin	0	0	0	1	0	0	0	0	0	0
	Poubelles	4	0	0	2	0	0	0	0	0	0
	Plateau utilitaire	4	0	0	4	4	4	0	0	0	0
	Partitions pour tiroirs	1	0	4	4	0	0	0	0	0	0
	Étagère ajustable	2	1	0	0	0	0	0	0	0	0
	Support de séchage	0	1	0	0	0	1	0	0	0	0
Supports inclus		13	4	7	15	6	7	1	1	2	0
	Supports pour l'installation de granit	0	0	0	0	0	0	0	0	0	2
	Supports de remplissage	0	0	0	0	6	6	0	0	0	0
	Support à l'intérieur pour BBQ	0	0	0	0	0	2	0	0	0	0
	Support de montage pour BBQ	0	0	0	0	2	2	0	0	0	0
	Support d'anti-basculen	0	0	0	0	0	0	0	2	0	0
	0	0	0	0	0	8	10	0	2	0	2



GARANTIE LIMITÉE:

Tous les produits doivent être installés, utilisés et entretenus conformément aux directives qui les accompagnent. Si un produit ayant été correctement installé, utilisé et entretenu ne répond pas aux conditions de la garantie limitée ci-dessous, NewAge Products, Inc. (« NewAge ») remplacera les pièces ou le produit défectueux.

Sous réserve des limitations et des exclusions énoncées ci-dessous ou dans la documentation d'un autre produit, NewAge garantit à l'acheteur initial que (1) les surfaces du produit seront exemptes de défaut pendant trois ans après la date d'achat, (2) les glissières de tiroir seront exemptes de défaut pendant deux ans après la date d'achat, et (3) l'intégrité structurale générale du produit (à l'exception des surfaces et des glissières de tiroir) sera exempte de défaut pendant dix ans après la date d'achat.

Le client devra payer les coûts d'expédition associés au remplacement du produit ou des pièces. La présente garantie limitée vise uniquement le remplacement du produit. NewAge ne saurait en aucune circonstance être tenue responsable de dommages particuliers, indirects ou consécutifs.

La présente garantie limitée est offerte à l'acheteur initial seulement, et n'est pas transférable. NewAge pourra, à sa discrétion exclusive, exiger la présentation de la preuve d'achat et de renseignements supplémentaires concernant la défectuosité. La garantie vise uniquement les produits vendus sur le territoire continental des États-Unis, au Canada et au Royaume-Uni.

EXCLUSION DE TOUTE AUTRE GARANTIE

LES AUTRES GARANTIES QUELLES QU'ELLES SOIENT SONT EXCLUES DANS TOUTE LA MESURE PERMISE PAR LES LOIS APPLICABLES. SANS RESTREINDRE LE CARACTÈRE GÉNÉRAL DE CE QUI PRÉCÈDE, NEWAGE EXCLUT EXPRESSÉMENT TOUTE GARANTIE IMPLICITE DE QUALITÉ MARCHANDE OU DE CONVENANCE PRÉCISE.

NEWAGE PRODUCTS INC. NE PAIERA PAS LES FRAIS ASSOCIÉS AUX CIRCONSTANCES SUIVANTES :

1. Les visites de réparateur ou les frais de main-d'œuvre;
2. Les produits endommagés par accident, mésusage, mauvais traitement, incendie, inondation, installation incorrecte, catastrophe naturelle, négligence, corrosion, entretien ou nettoyage incorrects, modification, manipulation sans précaution ou non-respect des directives d'entretien;
3. Les produits endommagés par une charge supérieure à la capacité de poids maximale énoncée dans les directives qui accompagnent le produit;
4. Les défectuosités résultant d'une utilisation excessive par rapport à l'utilisation résidentielle normale;
5. Les dommages esthétiques survenus après l'achat du produit, y compris les égratignures, les creux, les bosses, la corrosion ou les taches qui ne modifient en rien l'intégrité structurale ou les fonctions du produit;
6. Les pertes de contenu du produit.

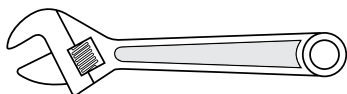
AUTRES REMARQUES ADRESSÉES AU CONSOMMATEUR :

L'altération de couleur causée par la chaleur élevée, par exemple près du grill, est une caractéristique de l'acier inoxydable et n'est pas couverte par la garantie. La rouille superficielle résultant des pluies acides ou de la présence de substances chimiques dans l'environnement n'est pas couverte. (Se reporter aux renseignements concernant l'entretien pour éviter la rouille superficielle.) Les surfaces extérieures dotées d'un revêtement en poudre de NewAge sont conçues pour résister aux intempéries et être stables aux UV.

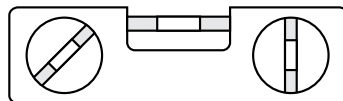
Le matériau d'acier inoxydable 304 qui est utilisé dans la fabrication des armoires de cuisine extérieure NewAge est très résistant à la rouille, mais le chlore de piscine qui est présent dans l'air ou le sel présent dans l'air marin peut faire rouiller la surface; si cette rouille reste assez longtemps sur le produit, elle peut même causer de la corrosion par piqûres. Nous recommandons vivement l'emploi d'un produit d'entretien approprié à cet usage. Nous suggérons de nettoyer toutes les surfaces en acier inoxydable au moins toutes les deux semaines pour garder vos armoires en excellent état. La réaction chimique causée par le sel est facile à prévenir, mais elle sera plus difficile à éliminer si elle reste sur la surface pendant un certain temps.

Des renseignements complémentaires sur le produit sont accessibles sur le site : <http://www.newageproducts.com/outdoor-kitchen-limited-warranty/>

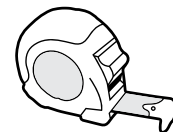
Outils requis



1 x clé à molette



1 x niveau de 24 po



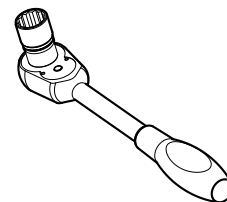
1 x ruban à mesurer



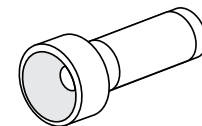
1 x clé à fourche de 10mm



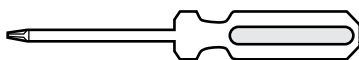
1 x douille de 10mm



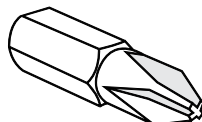
1 x clé à douille



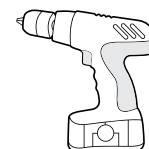
1 x lampe de poche



1 x #2 Phillips head
screwdriver



1 x #2 Phillips Bit



1 x perceuse-tournevis sans fi

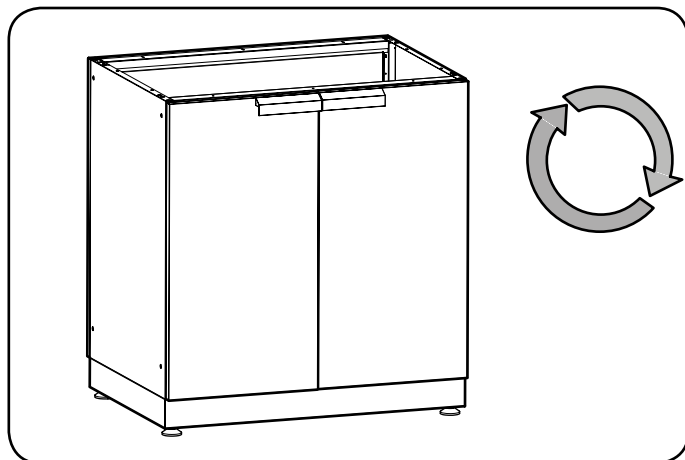
Nivellement de l'armoire

i Pièces requises



4 x Niveau Adjuster

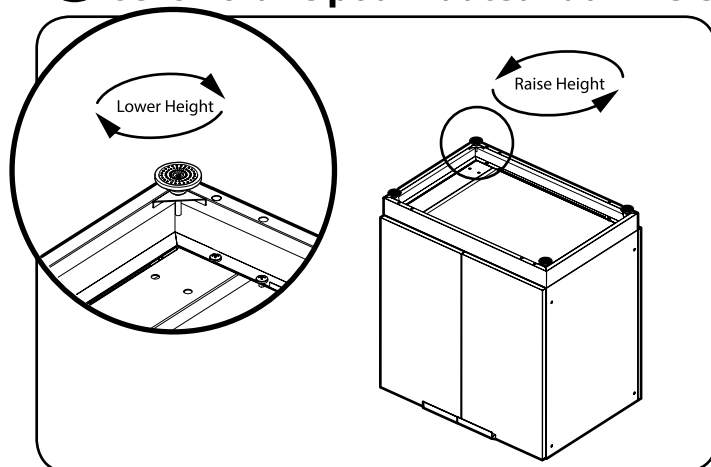
1 Faites basculer pour accéder



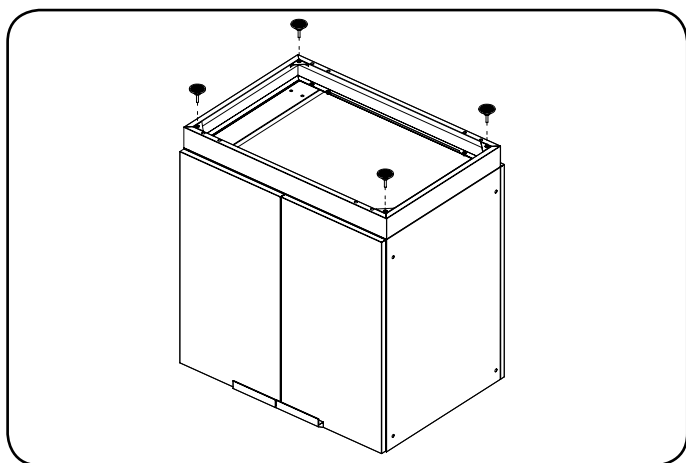
Tournez dans le sens horaire pour

soulever le niveleur. Tournez dans le sens horaire pour hauteur du niveleur

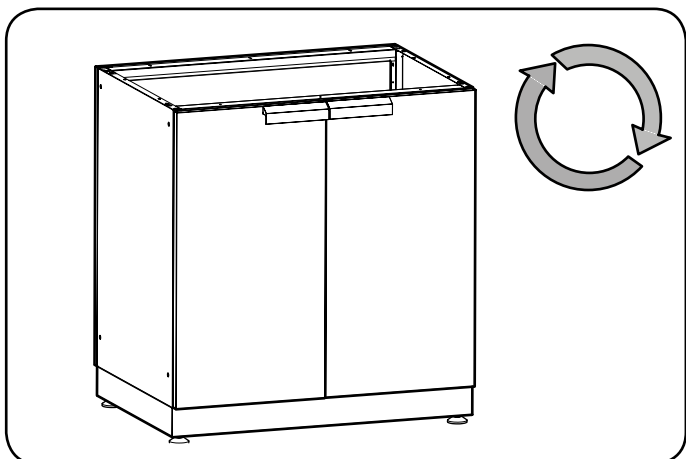
3



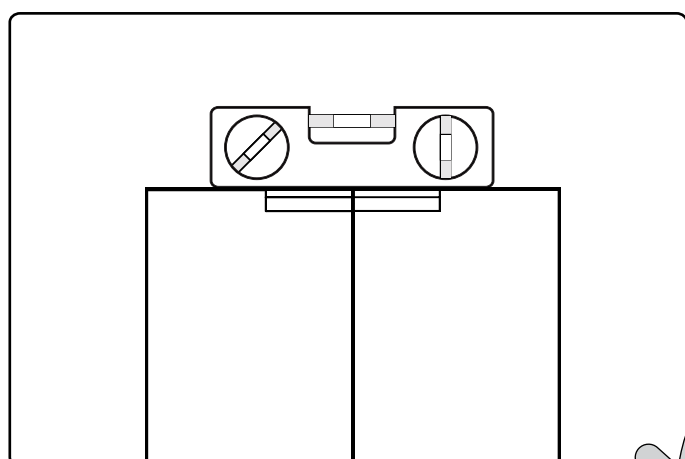
2 Aligner les niveleurs avec les écrous dans les cornières.



4 Faites basculer pour accéder à l'arrière et vérifiez son niveau

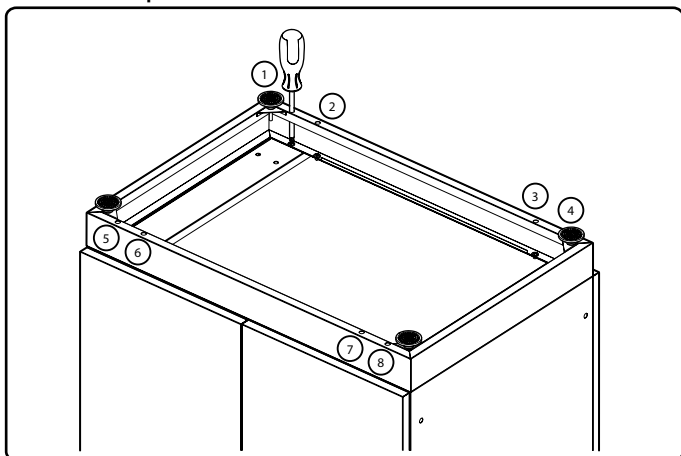


5 Vérifier le niveau latéral

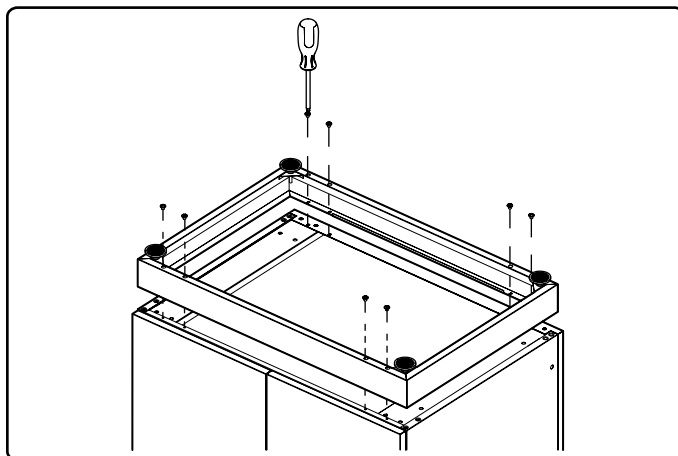


Installation des roulettes (vendu séparément)

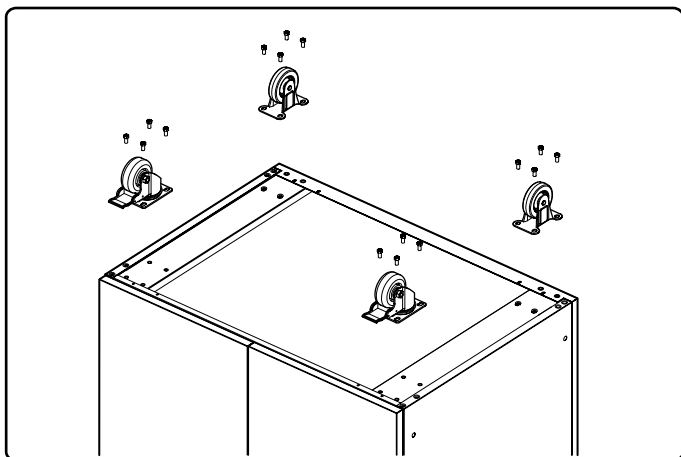
- 1** Retirez les boulons (8) - M4 x 25 dans les endroits numérotés avec un tournevis Phillips accédé par les trous dans le coup de pied.



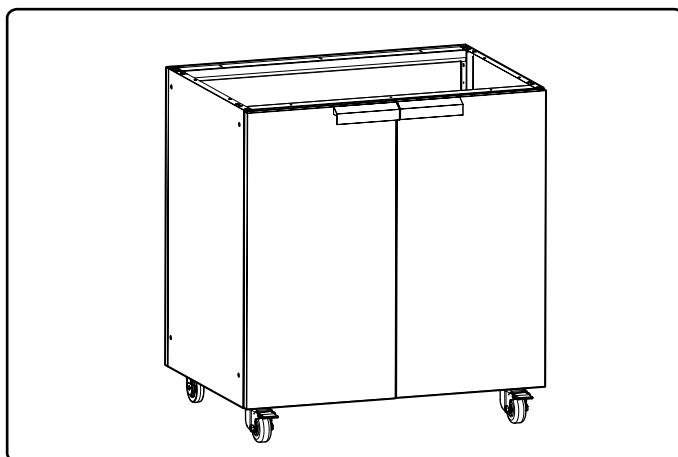
- 2** Enleve le coup de pied et mettre en stockage.



- 3** Placez la plaque de roulette au-dessous 4 écrous de rivet au coins de l'armoire et serrez les boulons 1/4 "x 1/2". Répète pour chaque roulette. Utilisez un embout philips ou douille.

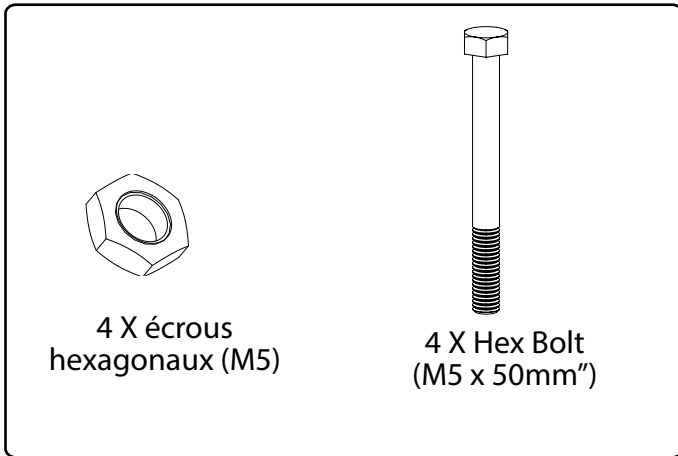


- 4** Tournez l'armoire jusqu'à ce que les 4 roulettes reposent sur le sol.

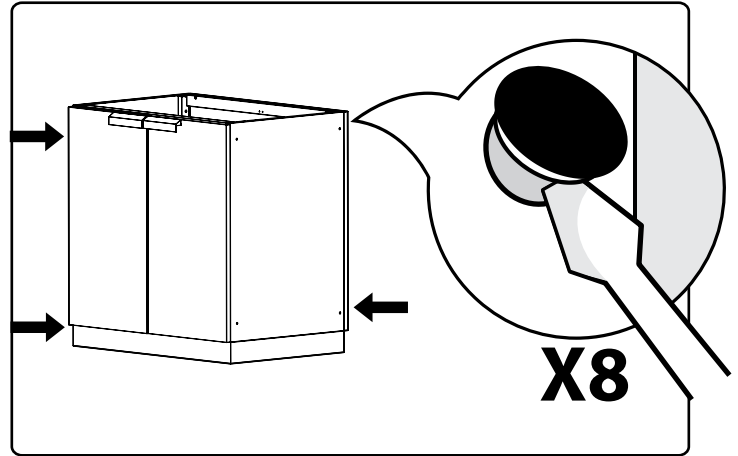


Fixation des armoires (les unes aux autres)

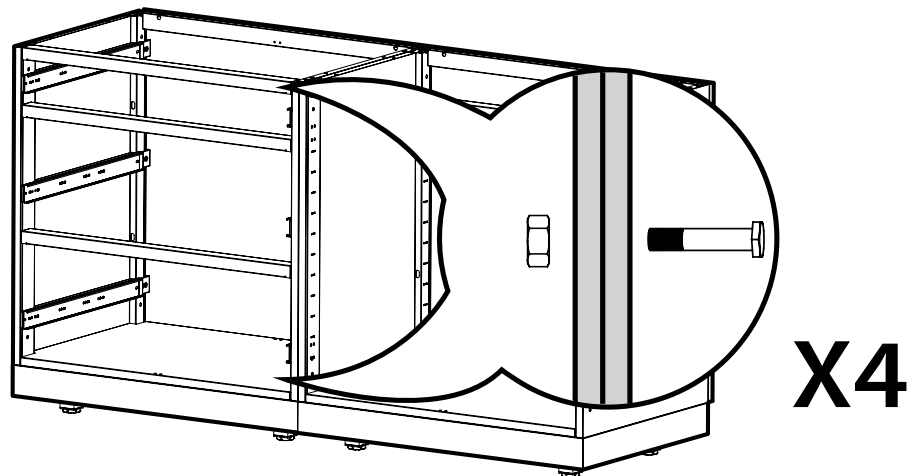
1 Pièces requises



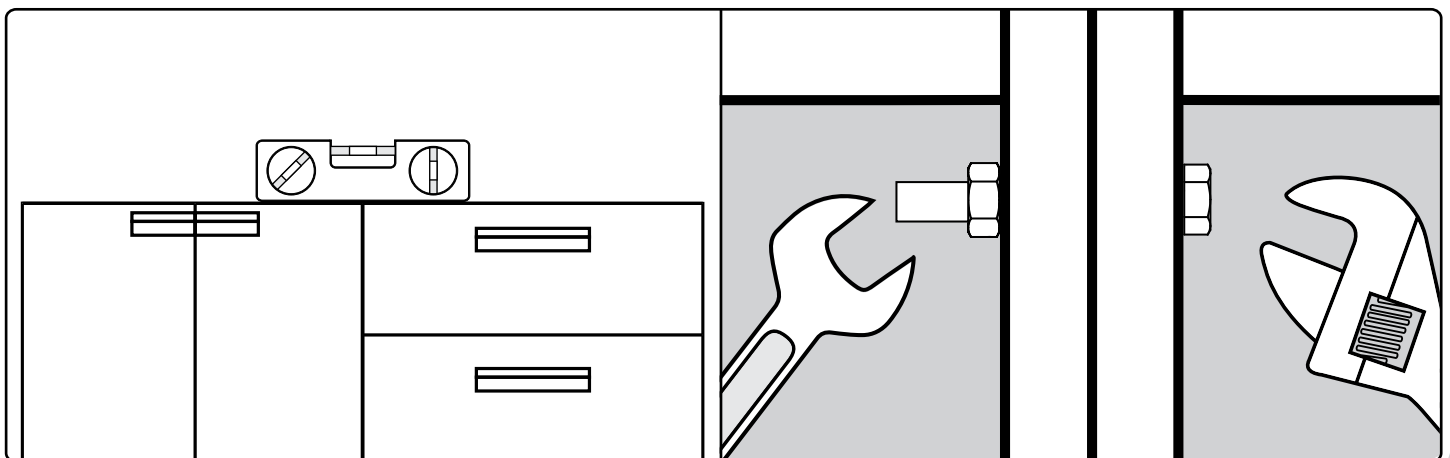
2 Enlevez les bouchons en plastique des armoires.



3 Alignez les boulons, puis serrez-les légèrement.

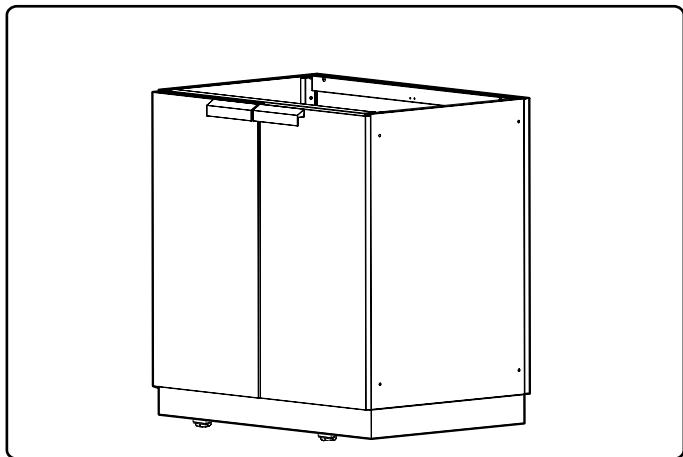


4 Mettez les armoires de niveau, puis resserrez tous les boulons.

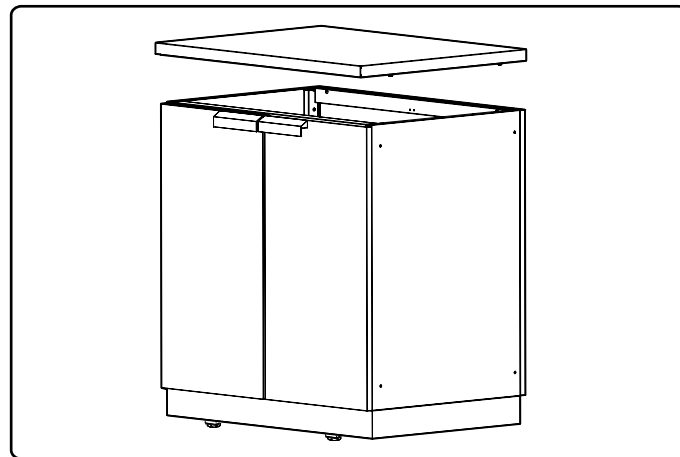


Installation du plan de travail

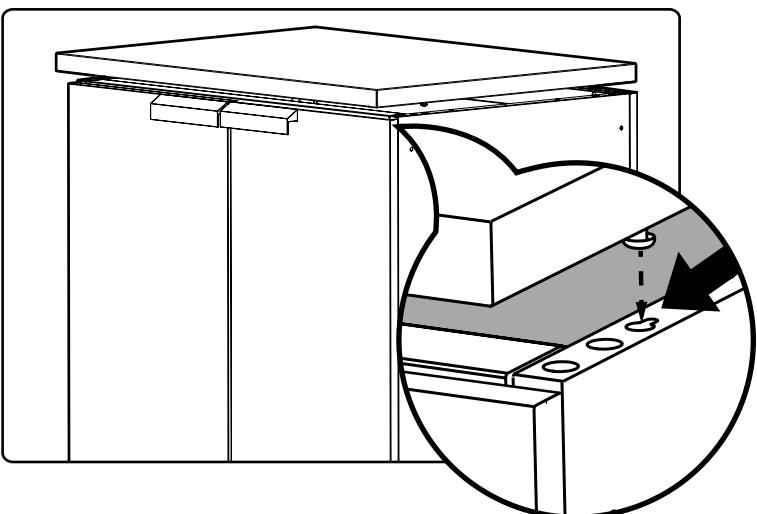
1 Remettez l'armoire debout.



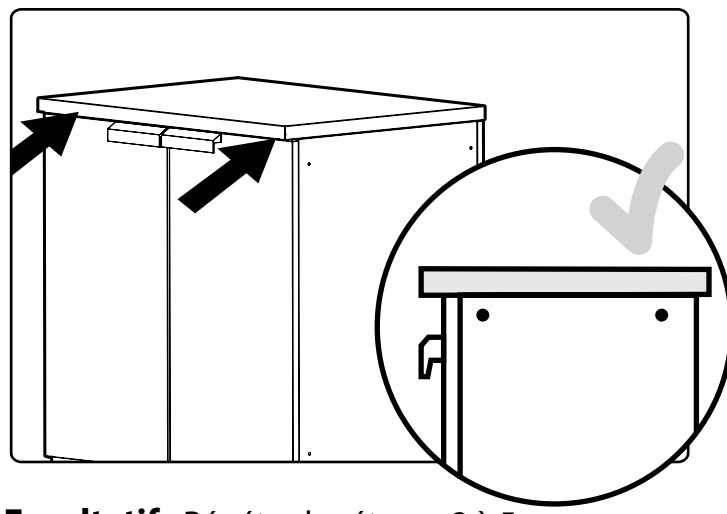
2 Posez le plan de travail sur les armoires.



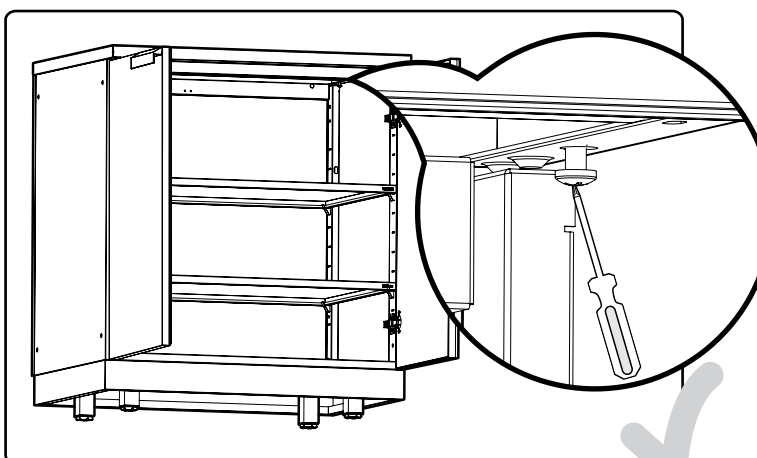
3 Insérez les têtes des boulons du plan de travail dans les encoches en trou de serrure.



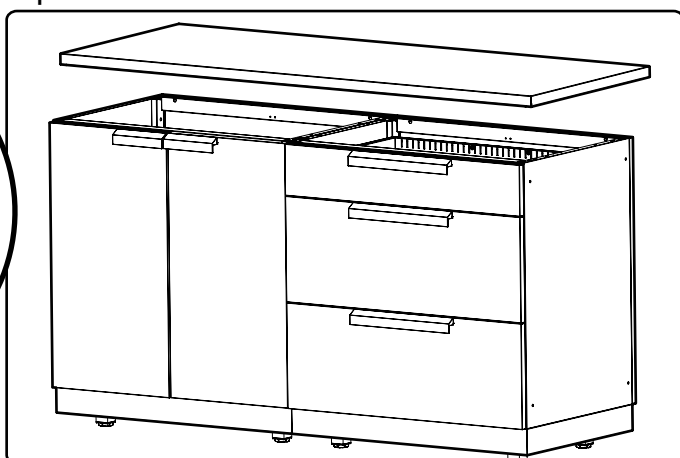
4 Poussez sur le plan de travail de façon à le verrouiller en place.



5 Serrez les vis de manière à attacher les armoires solidement.

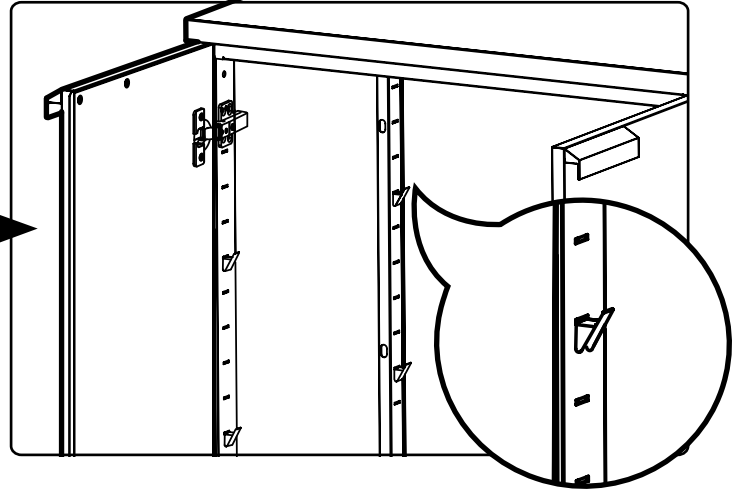
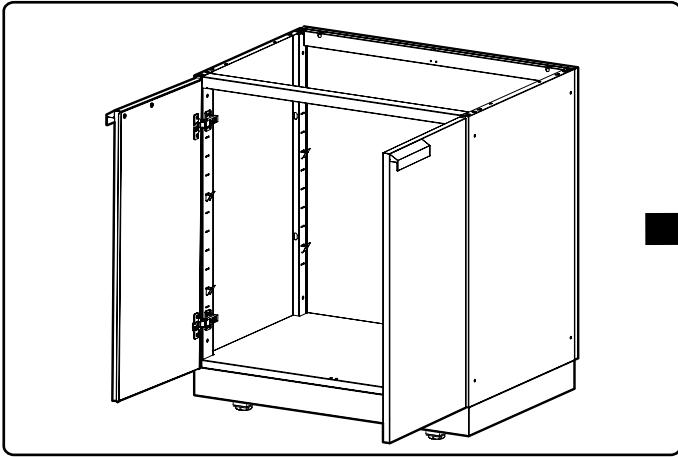


Facultatif : Répétez les étapes 2 à 5 pour installer les plans de travail de dimensions supérieures.

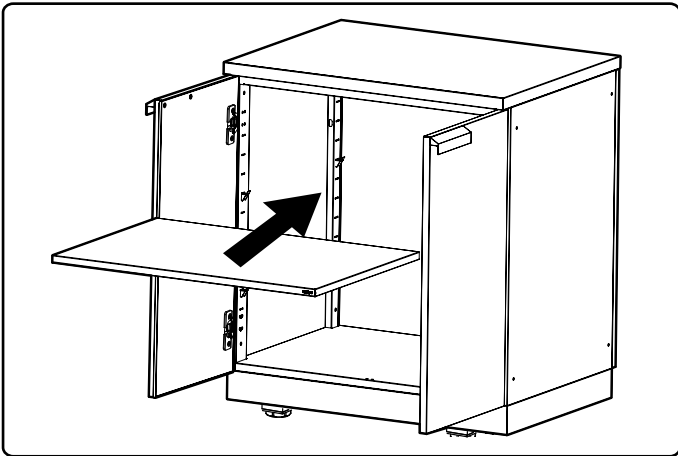


Installation des étagères

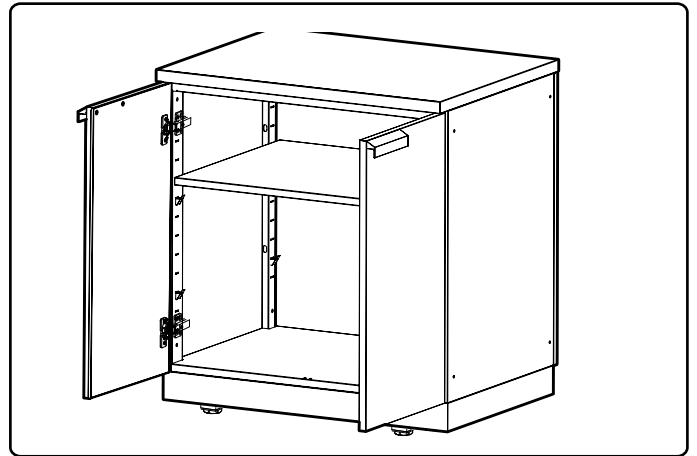
- 1** Ouvrez les portes de l'armoire.
Fixez les taquets à la hauteur voulue.



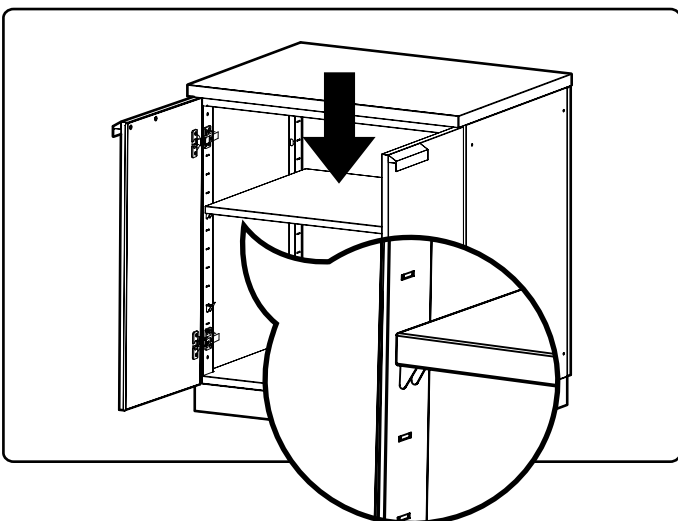
- 2** Assurez-vous que l'étagère est de niveau.



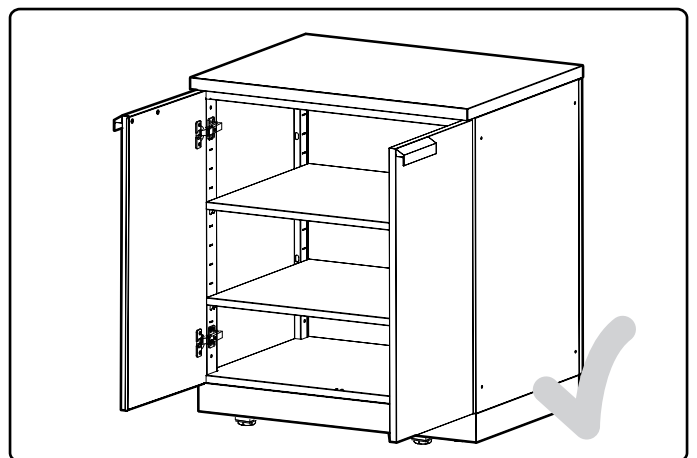
- 3** Insérez l'étagère dans l'armoire et placez-la au-dessus des taquets.



- 4** Déposez l'étagère sur les taquets.



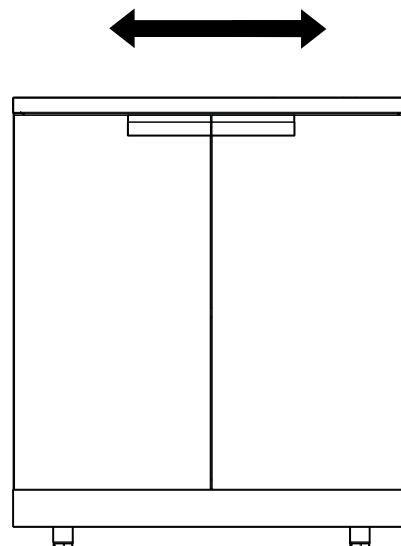
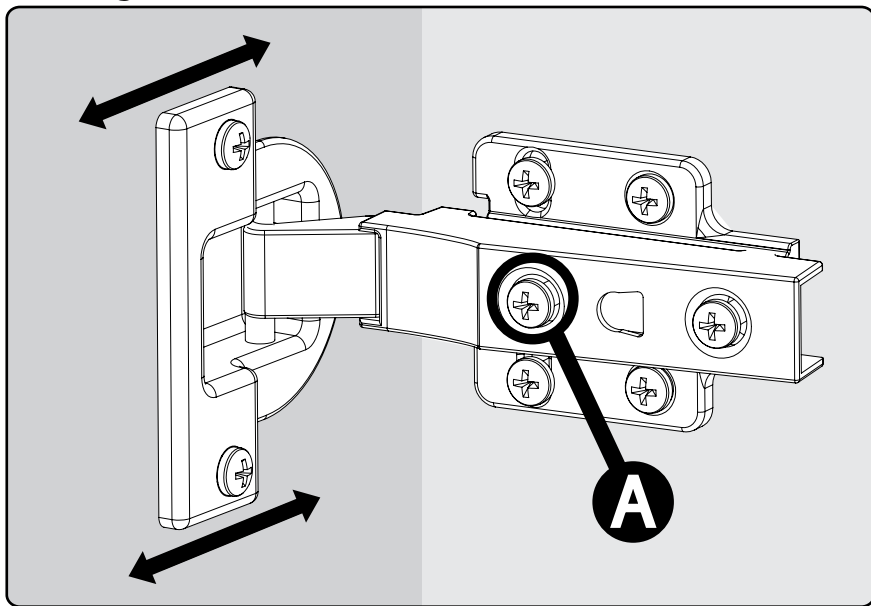
- 5** Installez les autres étagères.



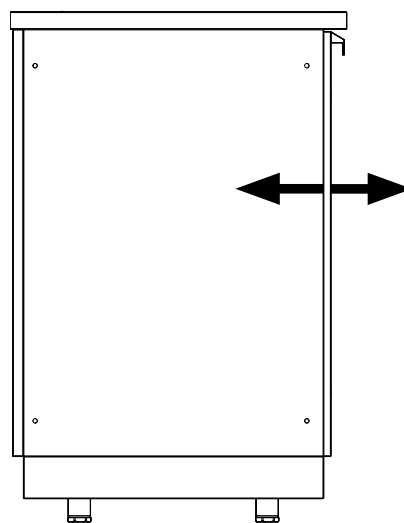
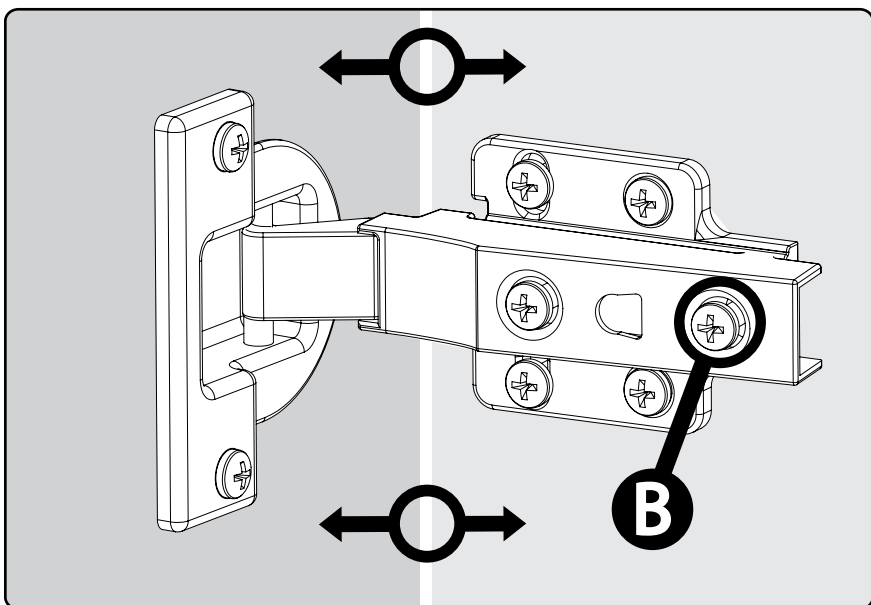
Réglage des charnières de portes

Il est possible de régler les portes avec un tournevis Phillips :
vers la gauche, la droite, l'avant ou l'arrière.

- 18** Pour régler les portes vers la gauche ou la droite, tourner la vis (A) dans le sens des aiguilles d'une montre ou dans le sens inverse des aiguilles d'une montre.



- 19** Pour ajuster l'interstice entre les portes et le cadre, tourner la vis (B) dans le sens des aiguilles d'une montre ou dans le sens inverse des aiguilles d'une montre.



Merci d'avoir acheté un produit NewAge!

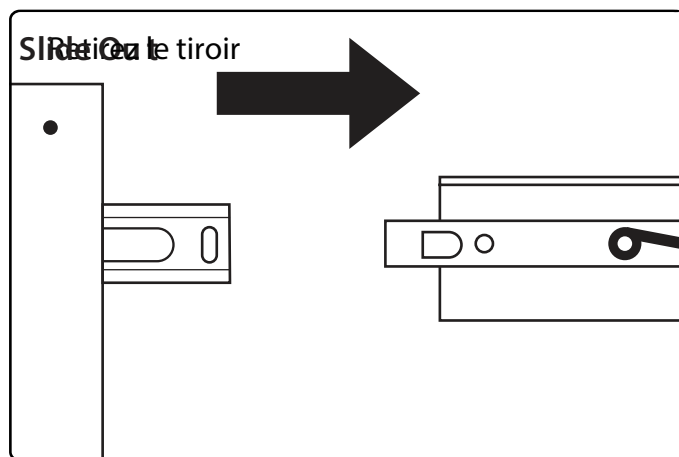
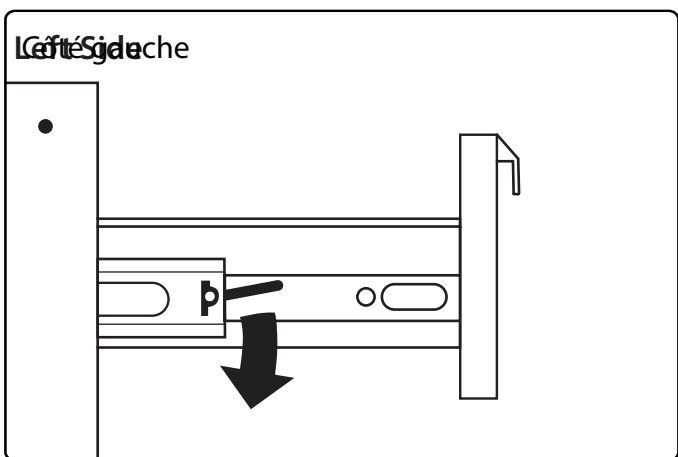
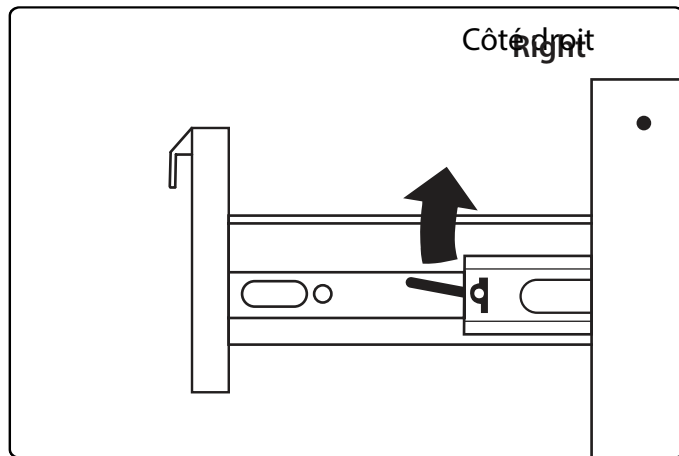
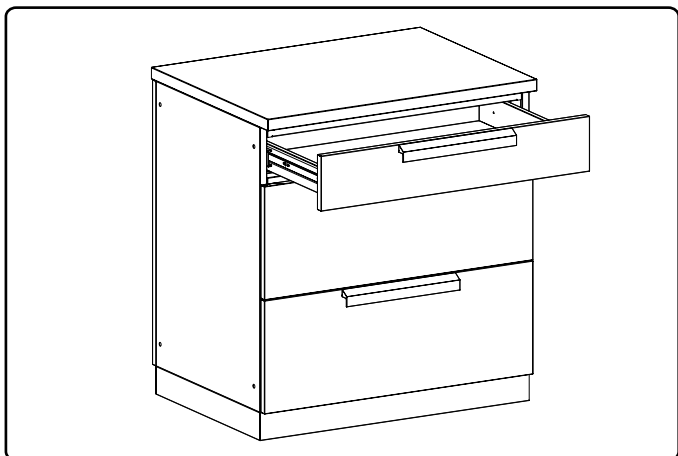
Veuillez nous appeler ou consulter notre site Web si vous avez la moindre question.

Composer le 1.877.306.8930; au R.-U., composer le 0800.031.4069; ou envoyer un courriel

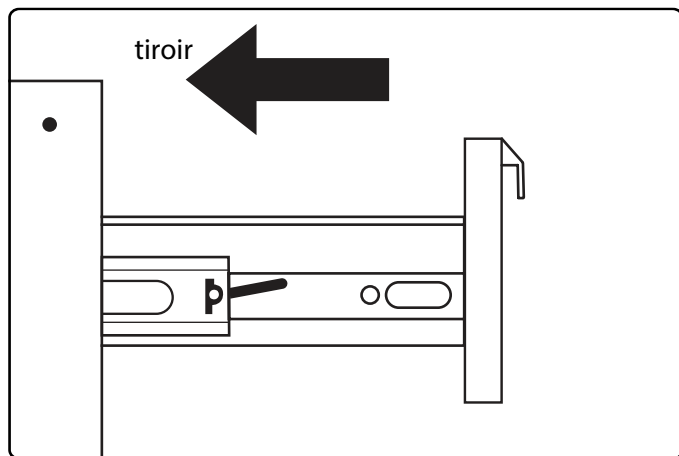
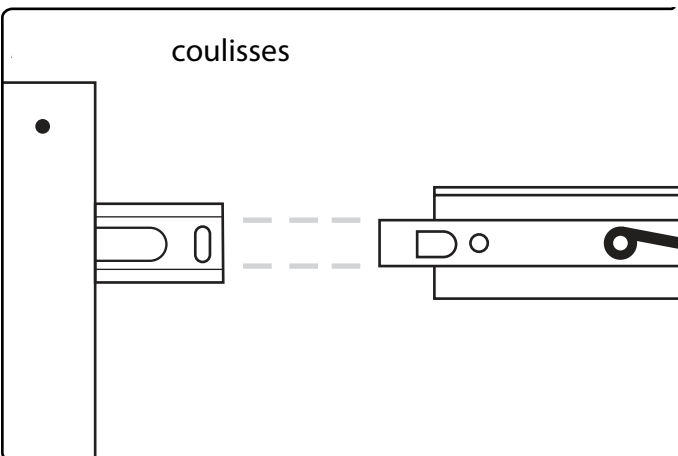
à l'adresse info@newageproducts.com.

Installation des tiroirs

Retrait des tiroirs

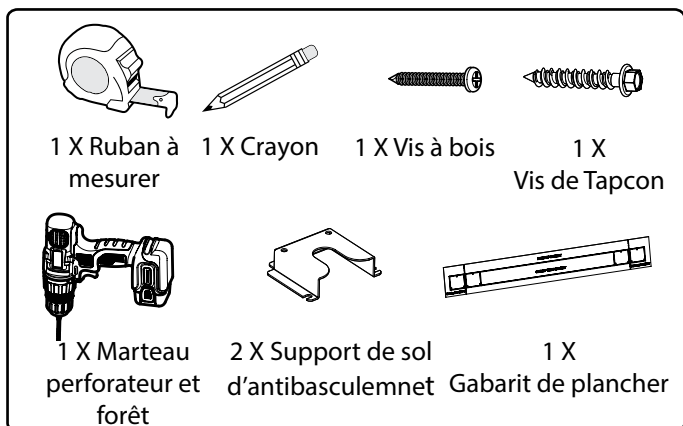


Insertion des tiroirs

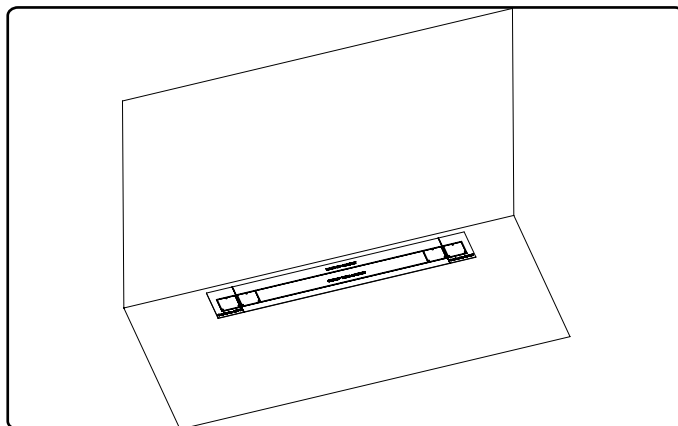


Fixations des supports d'antibascullement au sol

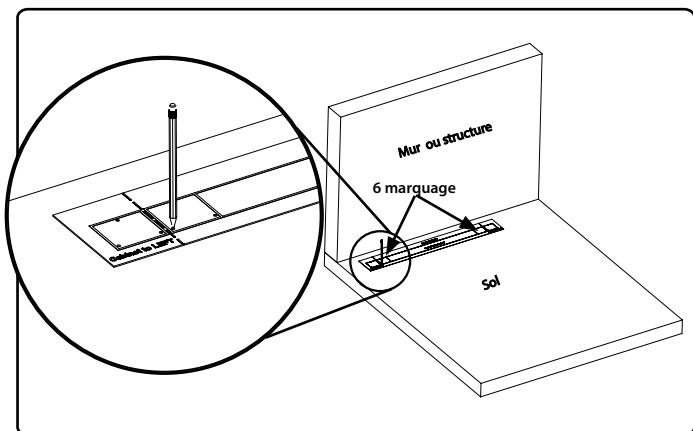
1 Pièces nécessaires



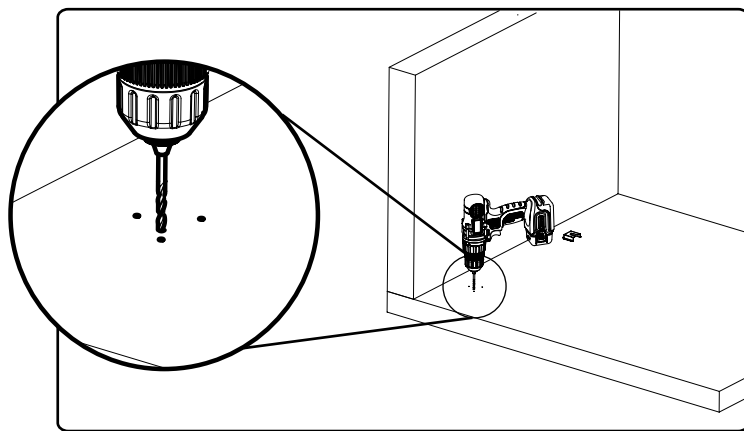
2 Placez le gabarit de marquage sur le plancher où l'armoire doit être placée.



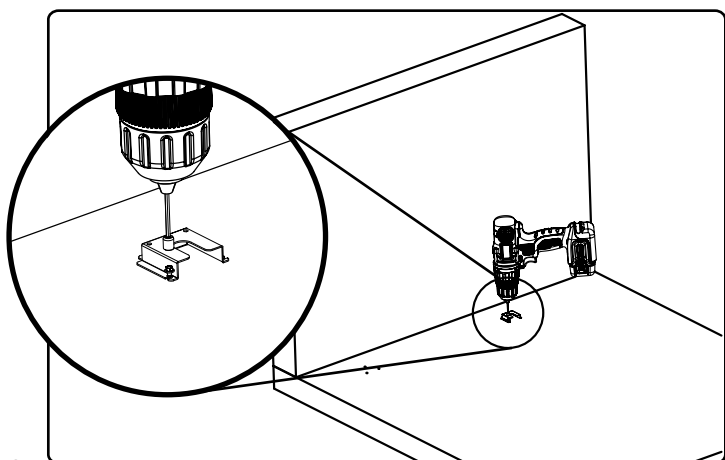
3 À l'aide du gabarit, marquez 6 emplacements de forage pour les crochets.



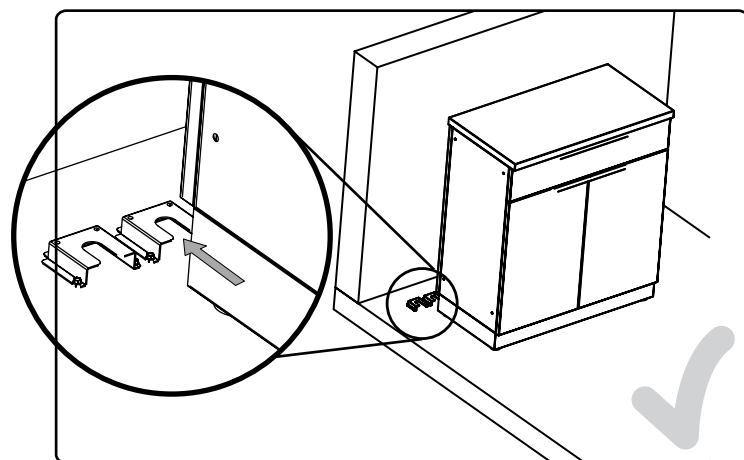
4 Percer le plancher dans des positions marquées avec un foret approprié pour le substrat.



5 Fixez les supports de plancher avec 3 vis Tapcons (béton) ou 3 vis à bois (bois).

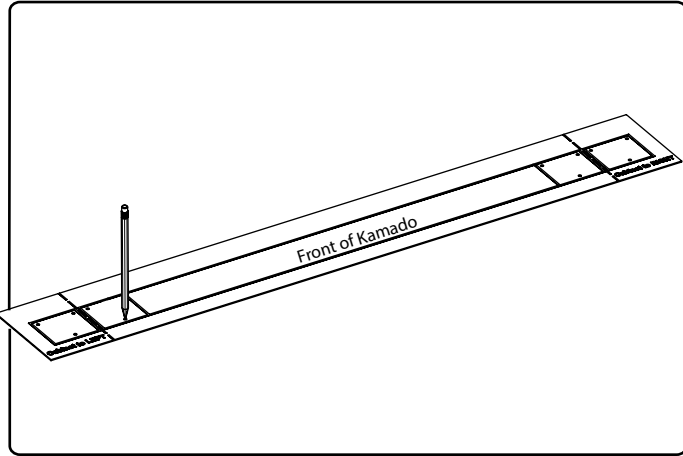


6 Déplacez les glisses de l'armoire dans les supports pour fixer l'armoire.

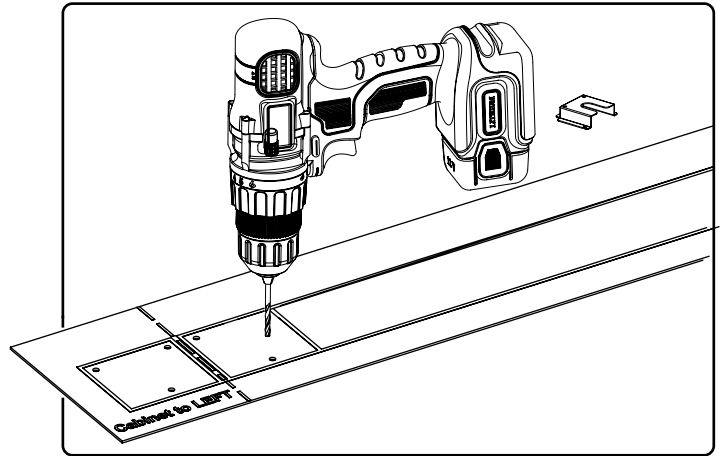


L'installation la KAMADO anti-renversement équerre

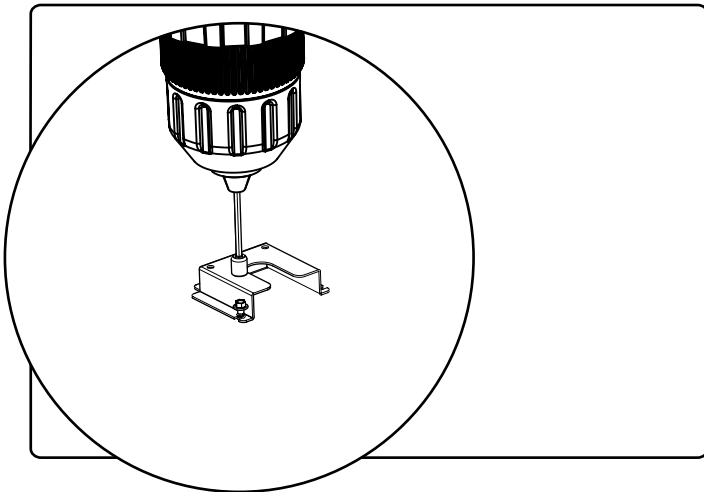
- 1** Déterminez l'emplacement de votre armoire. Placez le modèle sur le sol. Marquez les trous.



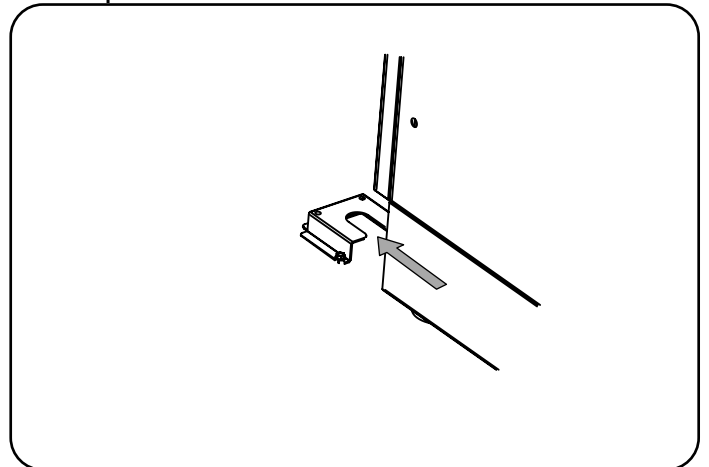
- 2** Percer avec un foret approprié pour le matériel du sol.



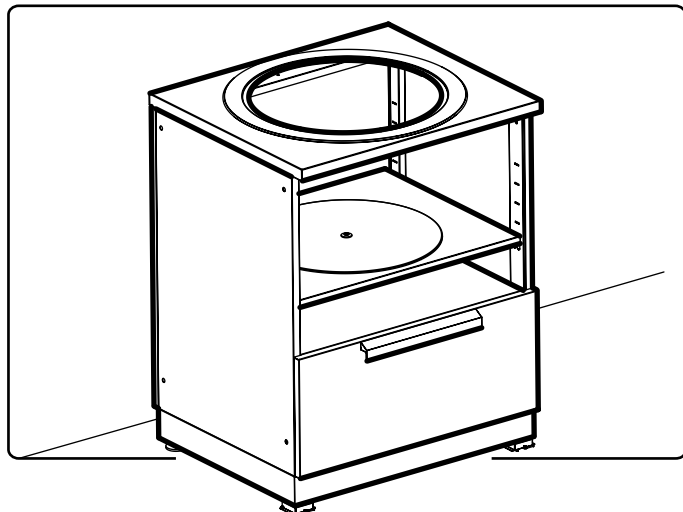
- 3** Fixez les supports anti-basculement sur le sol en utilisant un embout de tournevis approprié.



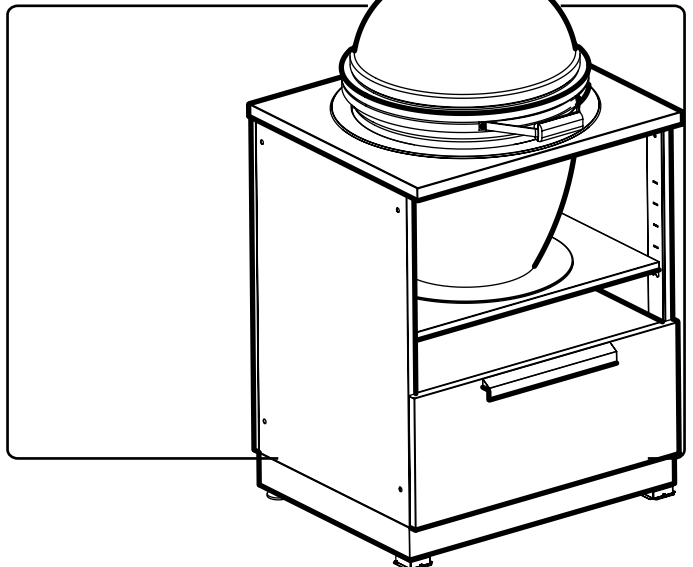
- 4** Lorsque les deux supports sont fixés au sol, faites glisser l'armoire de l'arrière pour engager les supports avec les niveleurs de pied.



- 5** Les deux niveleurs de pieds devraient maintenant être capturés par les supports.

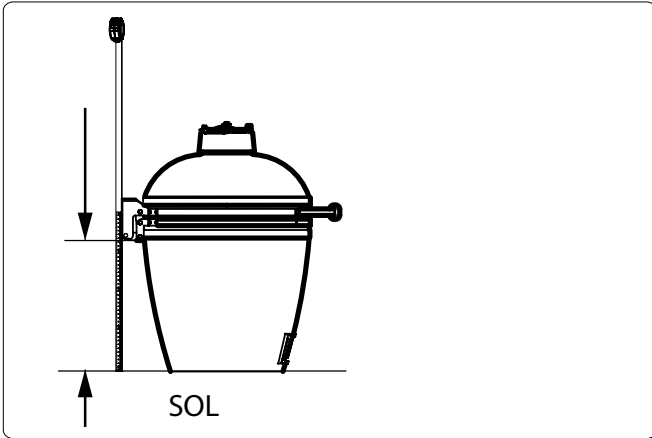


- 6** Prochaine étape installez le Kamado dans l'armoire.

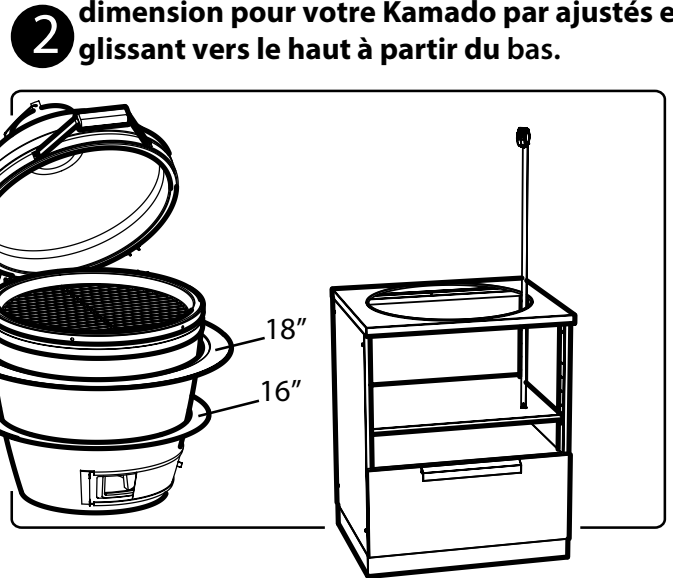


L'installation d'un Kamado puis au Cabinet.

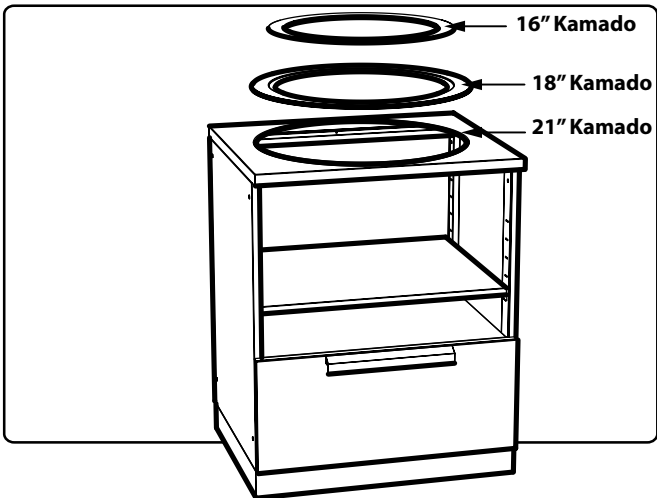
1 Mesurer de la base du Kamado à la base du charnière de couvercle à l'arrière du Kamado



Regler la hauteur de la table d'étape 1. Vérifier que l'anneau métallique est la correct dimension pour votre Kamado par ajustés en glissant vers le haut à partir du bas.



3 Choisi l'anneau métallique selon la taille du Kamado



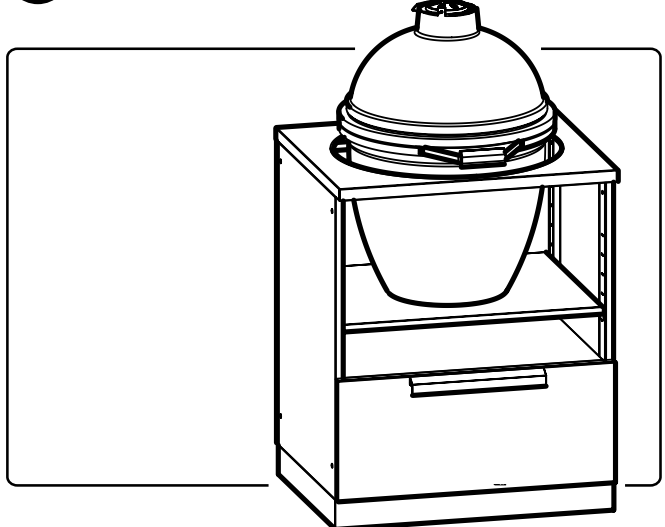
4 3 Personnes seront nécessaires pour soulever et placer votre Kamado dans l'armoire.



5 Protéger le surface avec un chiffon ou avec un carton.

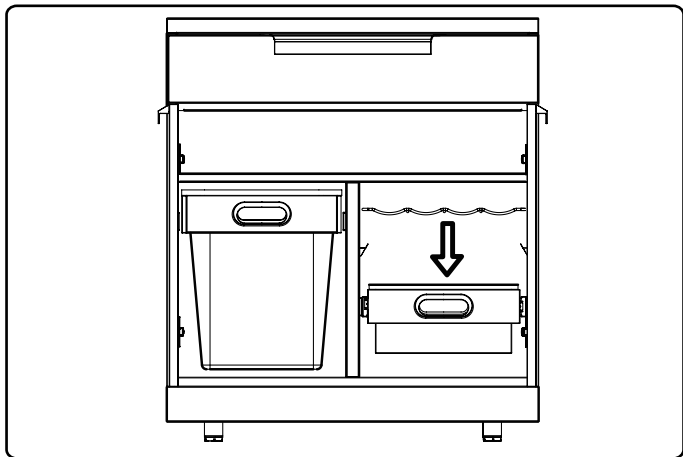


6 Tournez la poignée jusqu'à ce qu'elle soit parallèle à l'avant de l'armoire.

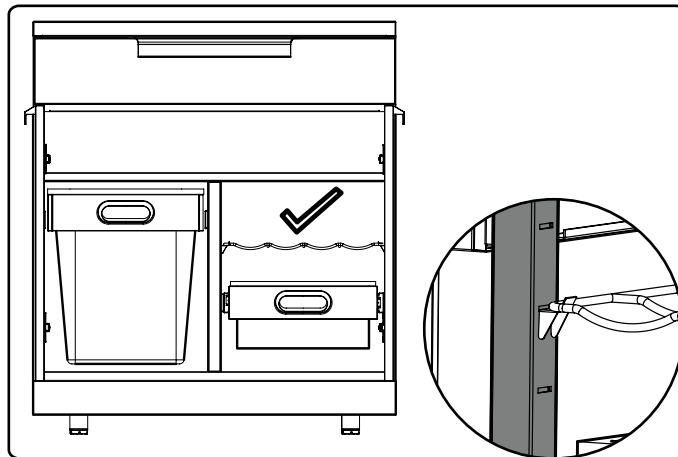


Installation du porte-bouteilles, du bac à glace et des poubelles

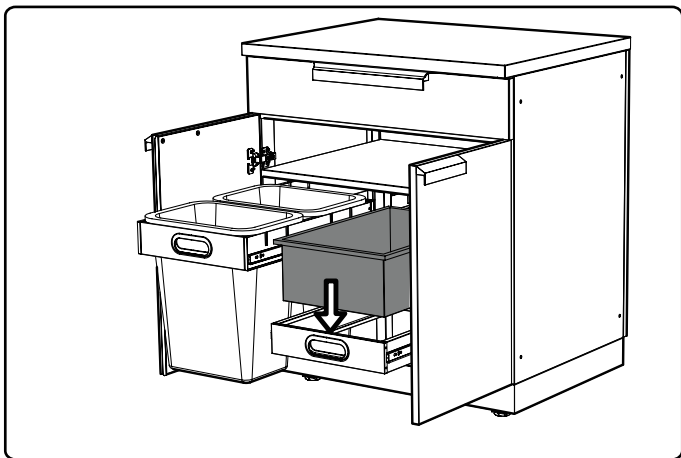
- 1** Ouvrir la porte. Poser les supports du porte-bouteilles aux endroits désirés sur les montants verticaux.



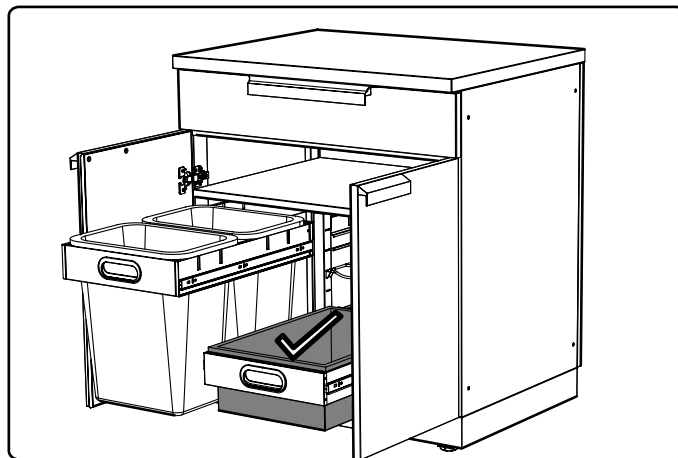
- 2** Poser le porte-bouteilles au sommet de 4 supports installés à la même hauteur. Ranger les bouteilles.



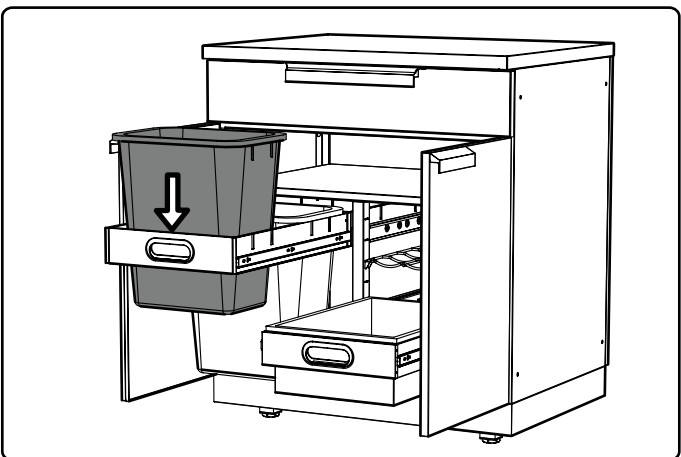
- 3** Retirer et installer le bac de refroidissement de boissons à rebord formé.



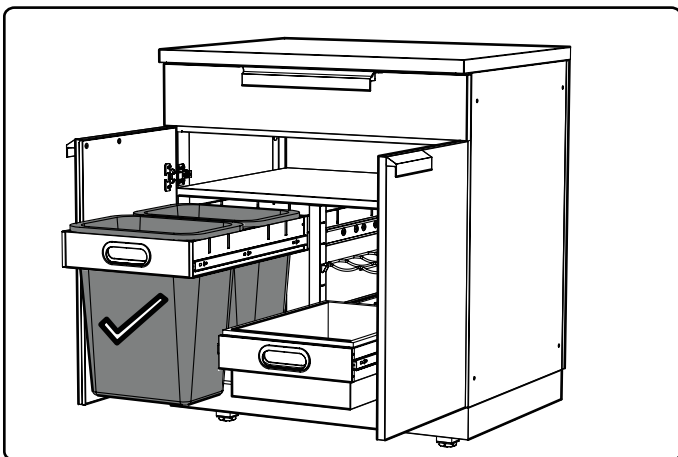
- 4** Faire glisser le bac de refroidissement sur le cadre amovible. Repousser le cadre vers l'intérieur.



- 5** Retirer et installer les poubelles.



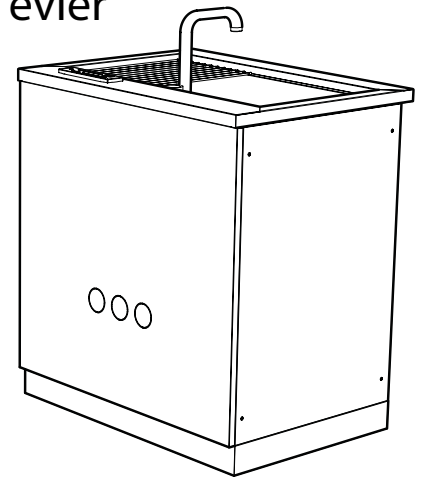
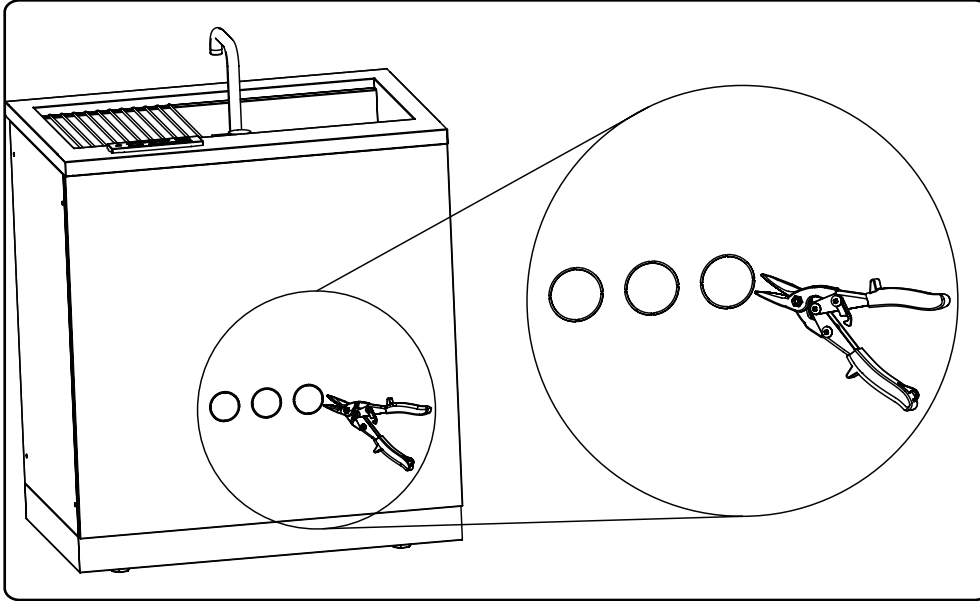
- 6** Faire glisser les poubelles sur le cadre amovible. Repousser le cadre vers l'intérieur.



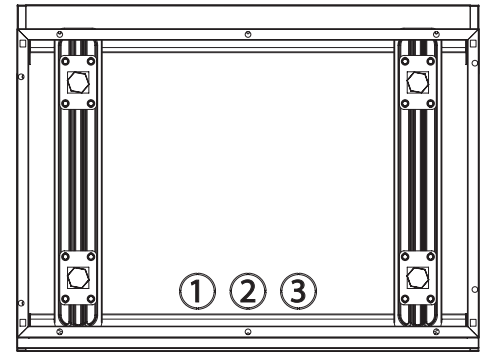
Installation de la plomberie

Trouver les 3 trous déjà percés à l'arrière de l'armoire.

Avec une cisaille de ferblantier, faire de petites incisions pour dégager les alvéoles défonçables.

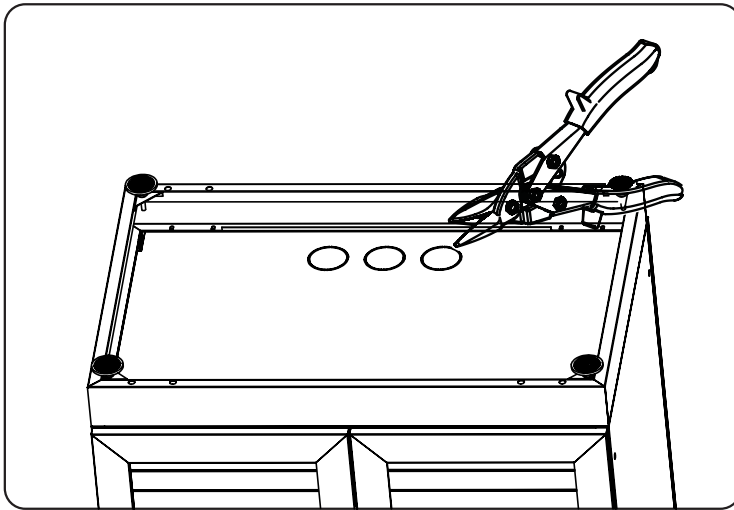


Arrière de l'armoire sous évier

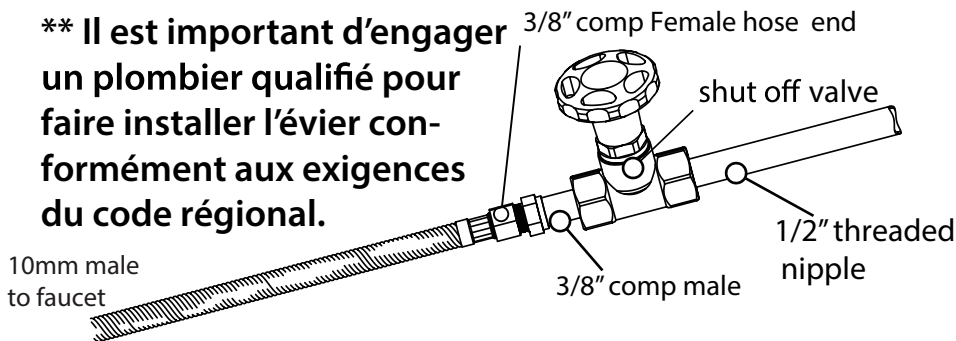


Dessous de l'armoire sous évier

Trouver les 3 trous déjà dessous de l'armoire. de l'armoire. Avec une cisaille de ferblantier, faire de petites incisions pour dégager les alvéoles défonçables.

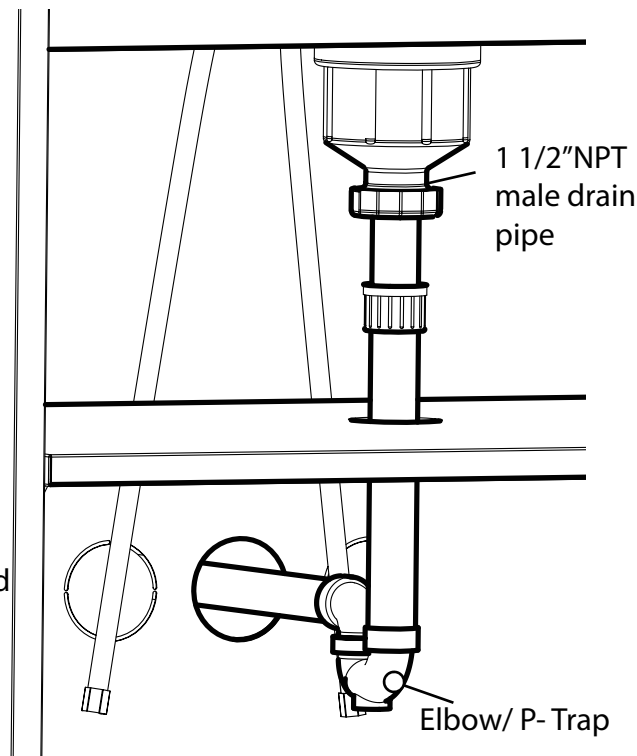


**** Il est important d'engager un plombier qualifié pour faire installer l'évier conformément aux exigences du code régional.**



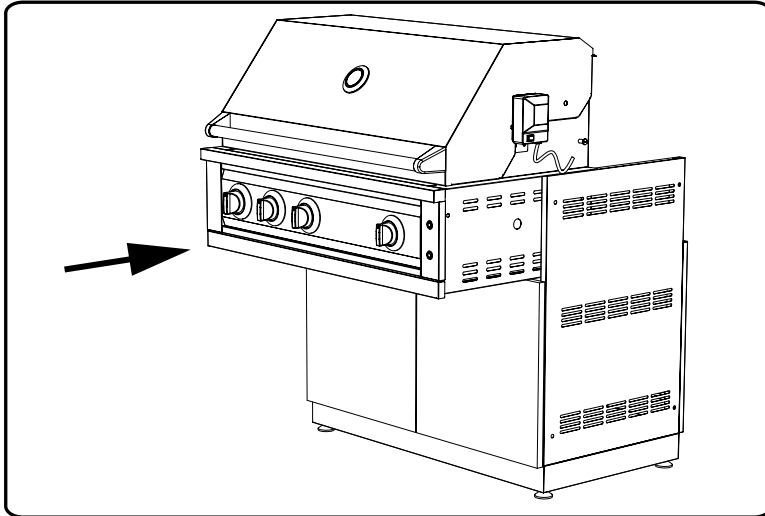
Relier les tuyaux tressés d'entrée d'eau chaude et froide aux canalisations d'alimentation.

Relier l'adaptateur de siphon au siphon en P et à la tubulure de drain.



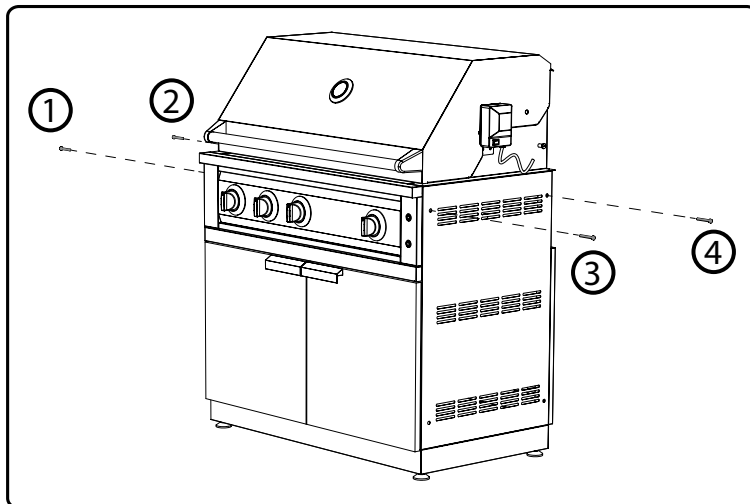
Installation du Barbecue de NewAge

1



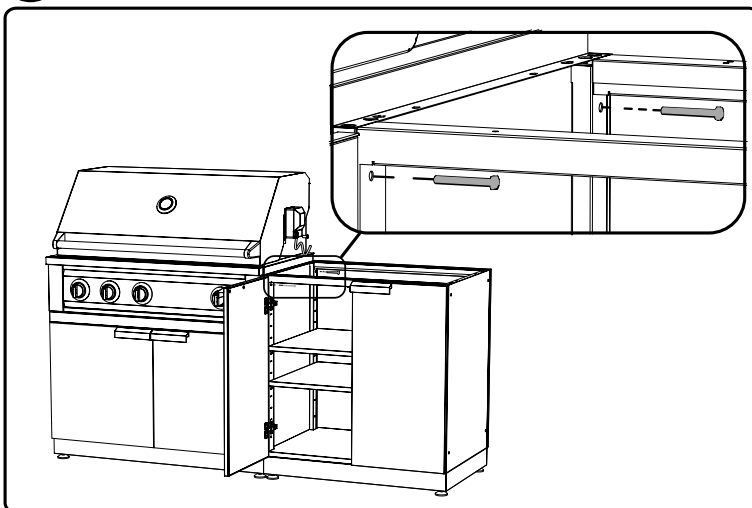
Placez le barbecue dans l'armoire.

2



Fixez le barbecue à l'armoire en insérant quatre boulons de 60 mm dans les trous de montage qui s'alignent avec les écrous insérés sur le côté de la boîte à feu du barbecue.

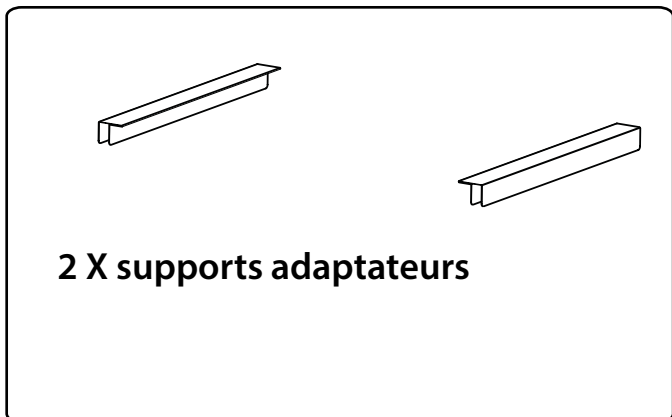
3



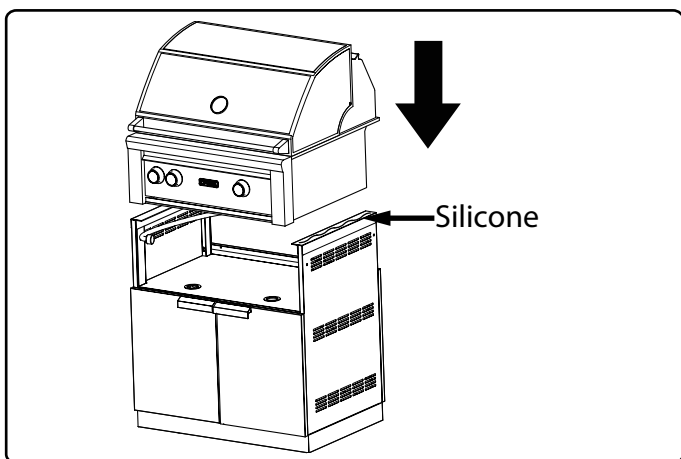
Pour ajouter une armoire supplémentaire, les boulons de 60 mm doivent passer dans les trous de montage des deux armoires.

Installation du Barbecue

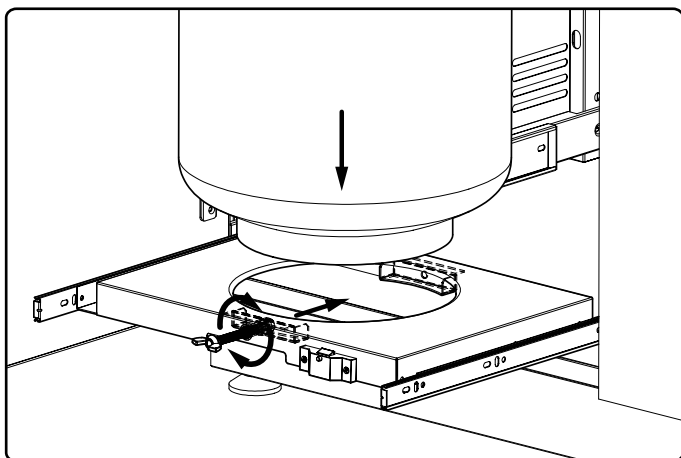
Pièces requises



2 Placez BBQ de sorte que les rails touchent les supports. Soulever les bords de BBQ et Tamponnez un peu de silicone sur les rails pour le maintenir en place

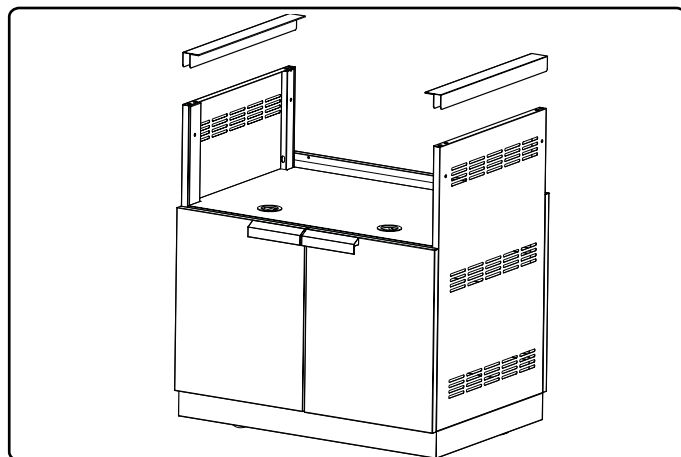


4 Tournez le boulon de l'écrou à oreilles jusqu'à ce que le collier de serrage s'enclenche avec l'anneau du bonbonne.

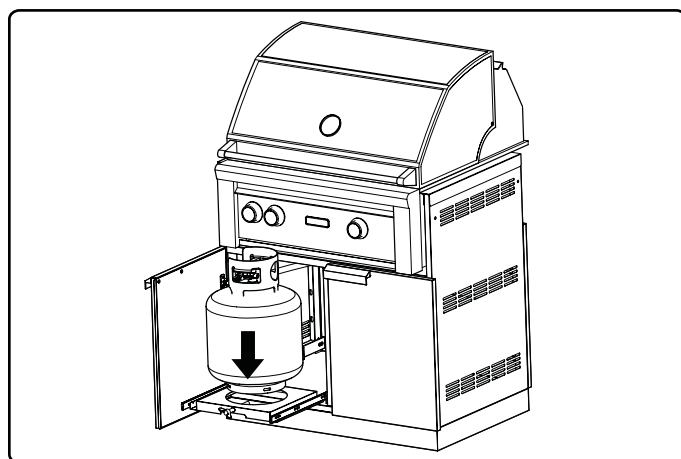


Vous pouvez ou pas besoin de la supports adaptateurs en fonction sur le modèle que vous choisissez BBQ

1

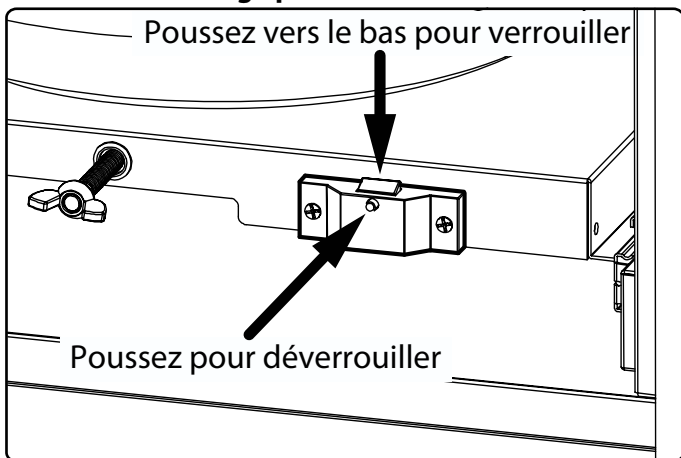


3 Placez le bonbonne dans l'anneau du tiroir pour le bonbonne.



Une fois le plateau de bonbonne est enfoncé à l'arrière de l'armoire, verrouillez le plateau du bonbonne en appuyant sur le bouton de verrouillage. Appuyez sur le bouton de déverrouillage pour le déverrouiller.

5

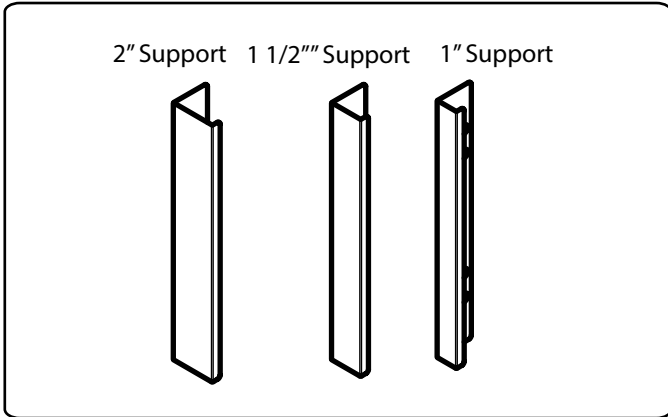


Installation des supports de remplissage

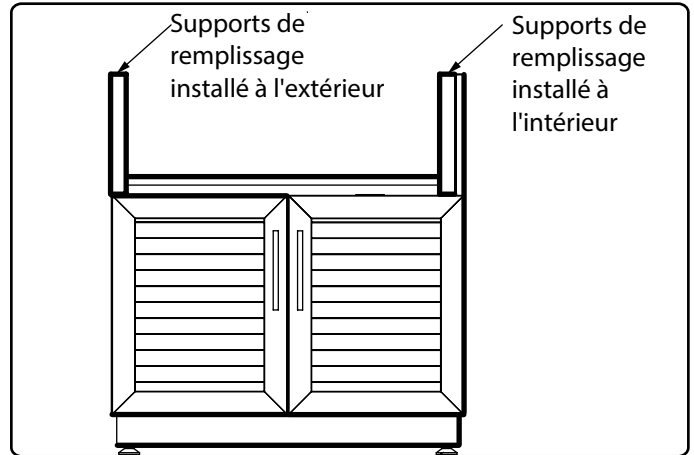
6 X supports de remplissage. Sélection deux pièces identiques



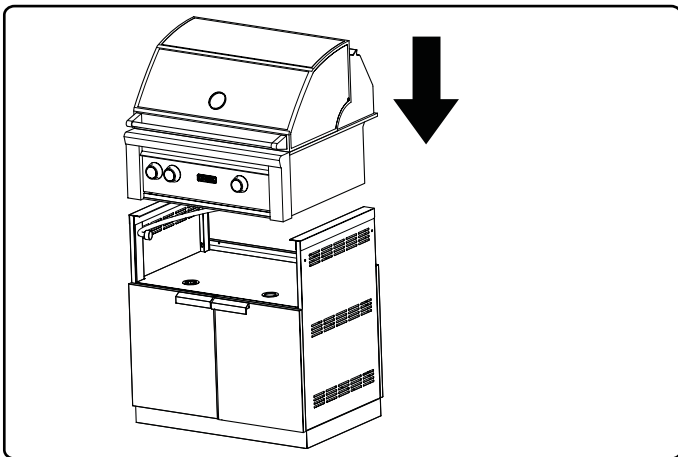
Pieces requises



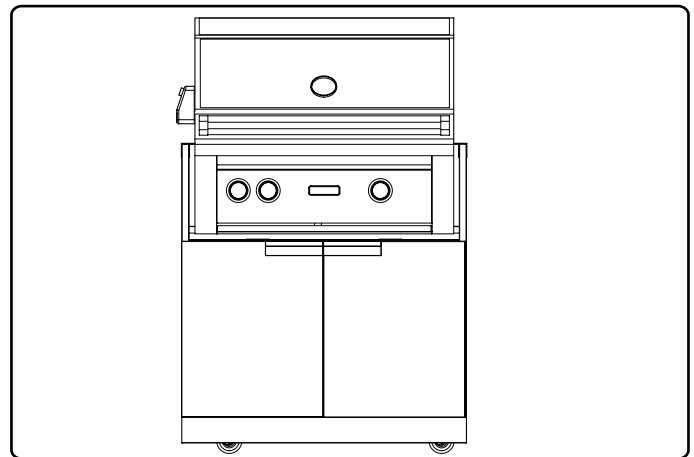
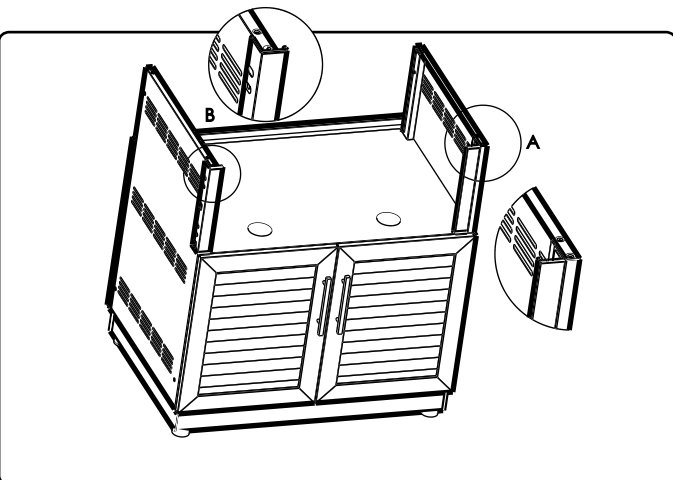
Vous pouvez ajuster la taille de l'espace en installant les supports à l'extérieur ou à l'intérieur



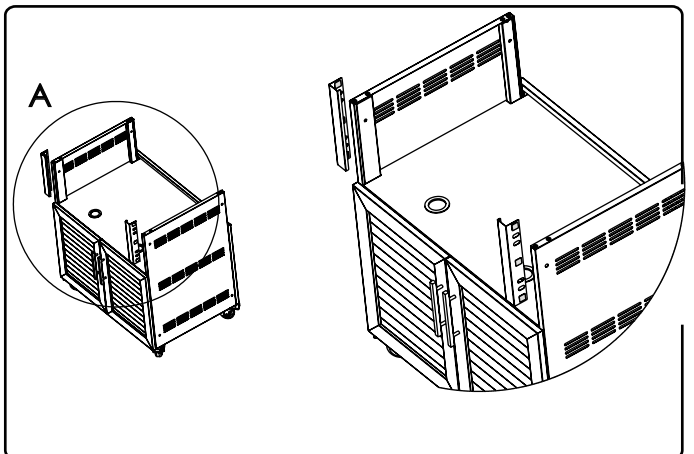
Placez le barbecue afin que les rails touchent les supports de remplissage



Chaque pièce de remplissage peut être installée à l'intérieur ou à l'extérieur de l'armoire.

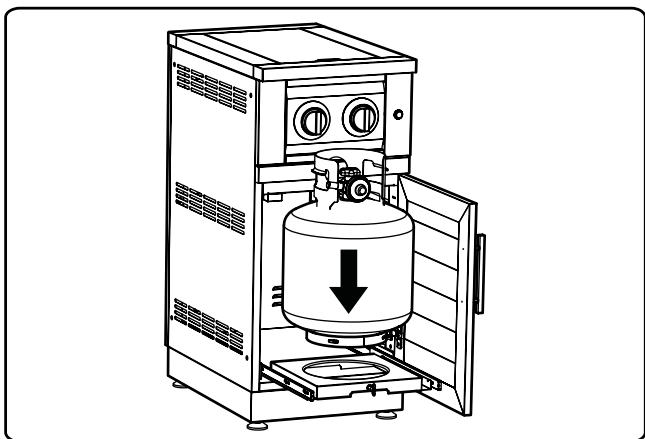


Utilisez le ruban double-face fourni pour coller les pièces.

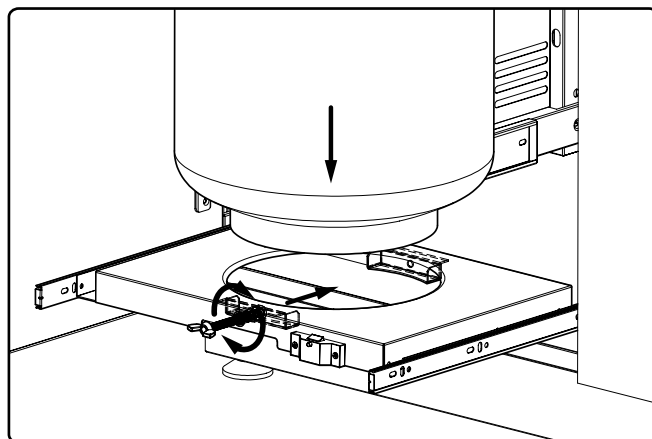


Installation du la Bonbonne

- 1** Placez la bonbonne dans l'anneau du tiroir pour la bonbonne.

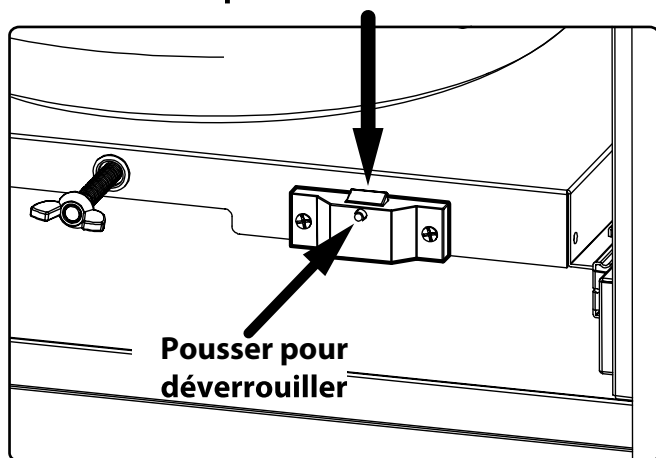


- 2** Tournez le boulon de l'écrou papillon jusqu'à ce que les anneaux de serrage qui se trouvent sous le tiroir soit bien fixé à la bonbonne.



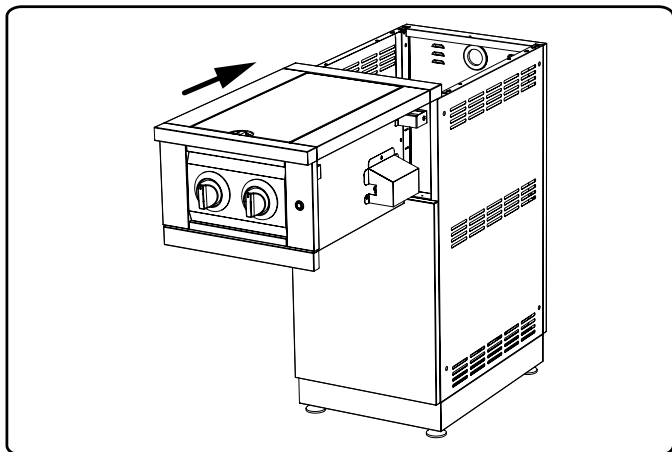
- 3** Une fois le plateau de bonbonne est enfoncé à l'arrière de l'armoire, verrouillez le plateau du bonbonne en appuyant sur le bouton de verrouillage. Appuyez sur le bouton de déverrouillage pour le déverrouiller.

Poussez vers le bas pour verrouiller

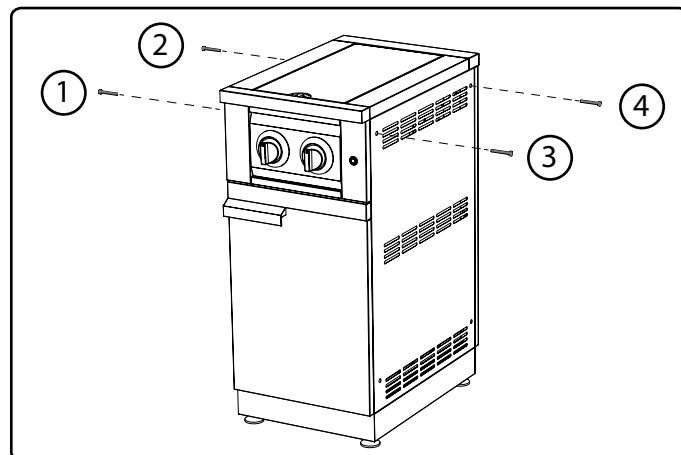


Installation double côté brûleur

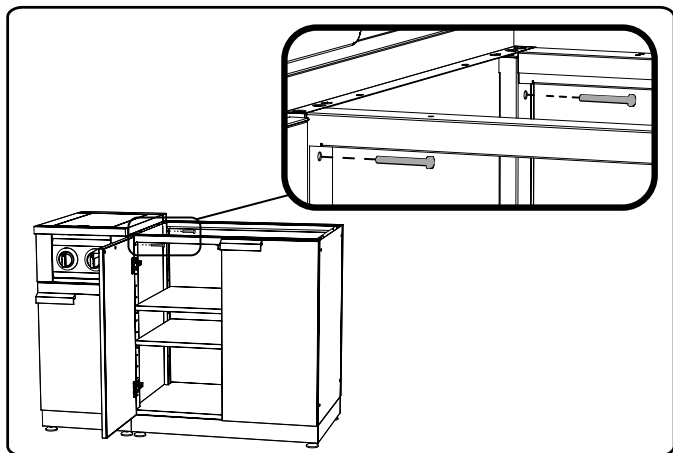
1 Placez DSB au-dessous de l'armoire



2 Tournez le boulon de l'écrou à oreilles jusqu'à ce que le collier de serrage du bonbonne qui se trouve sous le plateau soit bien serrée à le bonbonne

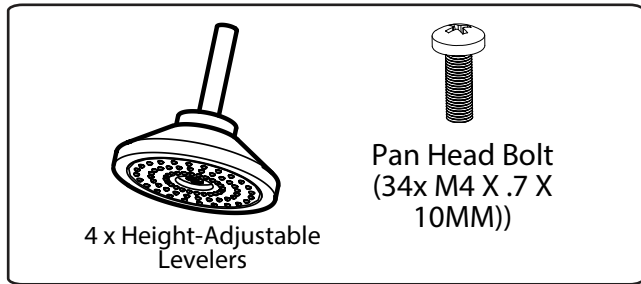


3 Pour ajouter une armoire supplémentaire, les boulons de 60 mm doivent passer dans les trous de montage des deux armoires.

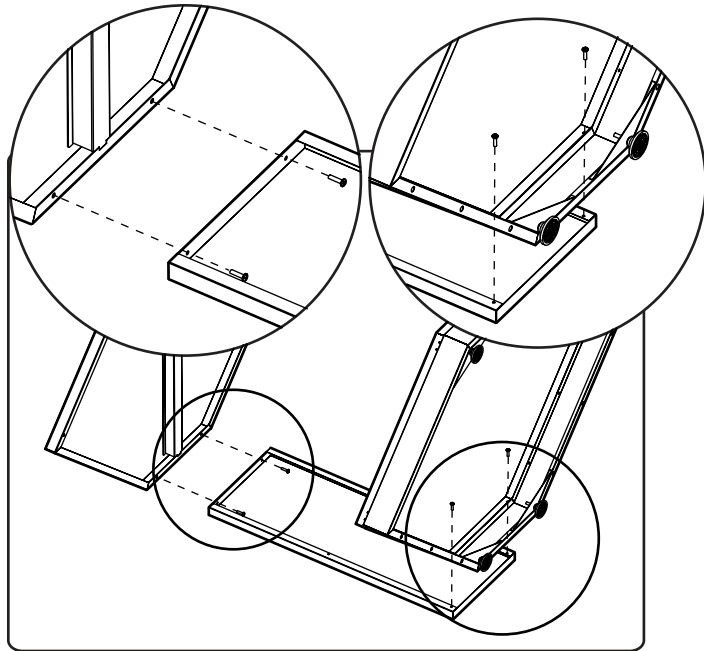


Assemblage de cadre

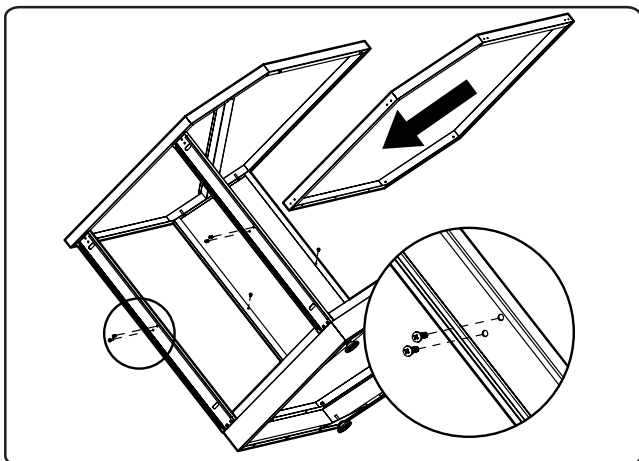
i Pièces requises.



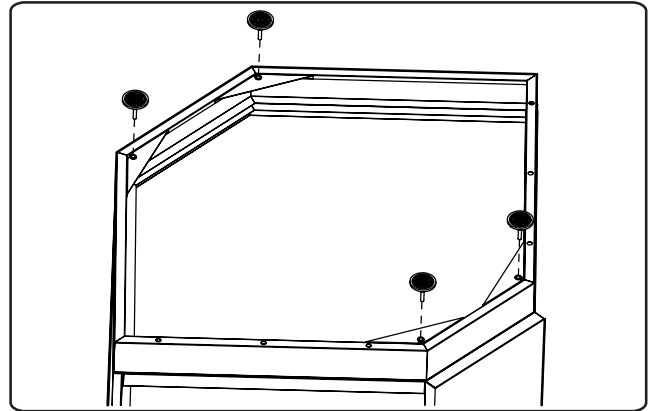
2 Fixer le dessus, l'arrière et la base avec bée. 4 vis à tête cylindrique M4 x 10mm.



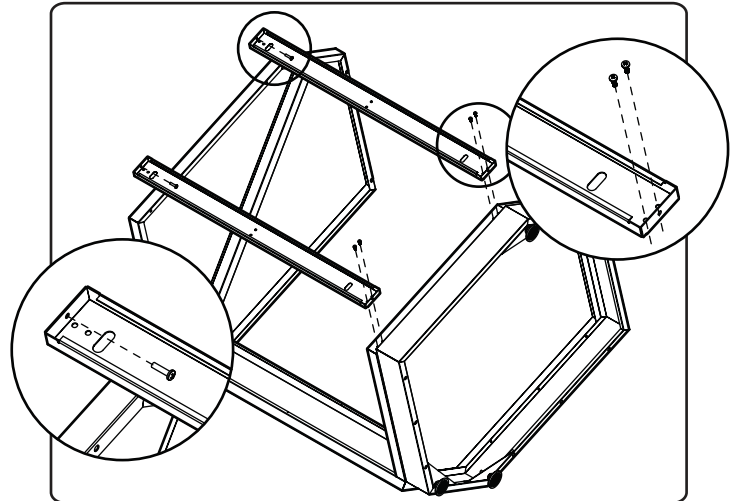
4 Fixer le dessus, l'arrière et la base avec bée. 4 vis à tête cylindrique M4 x 10mm.



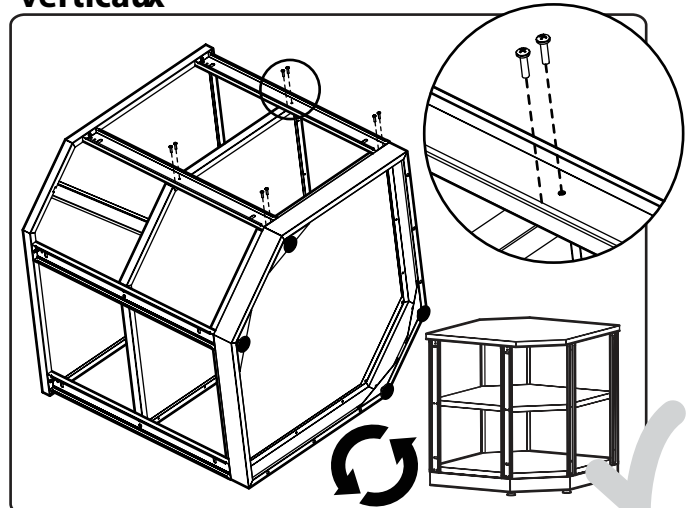
1 Fixez 4 niveleurs à 4 supports avec des écrous d'insertion.



3 Fixer 2 montants verticaux avec 4 vis à tête cylindrique bombée de boulon (M4 X .7 X 10MM)

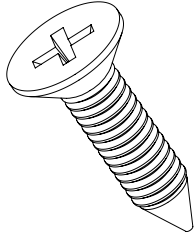


5 Répétez l'étape 4 pour 2 plus poteaux verticaux



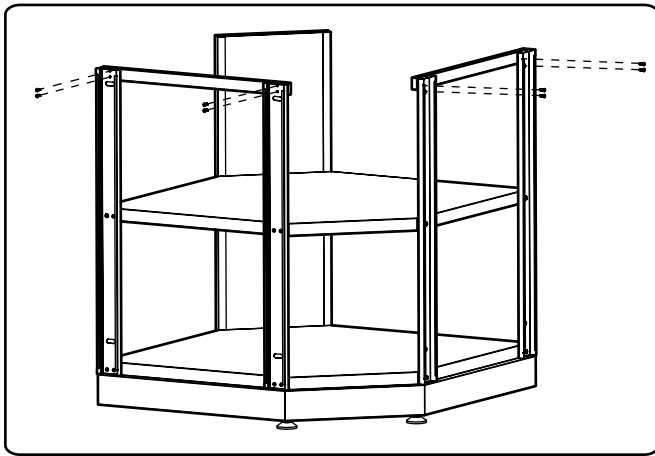
Assemblage du cadre et du dessus de granit

i Pièces requises.

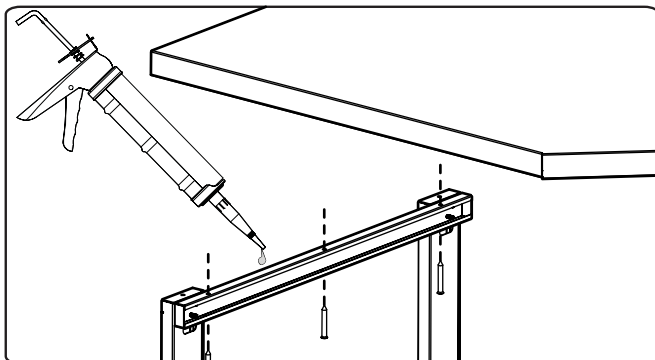


6 x ST4.2-16 Vis à bois
à tête plate

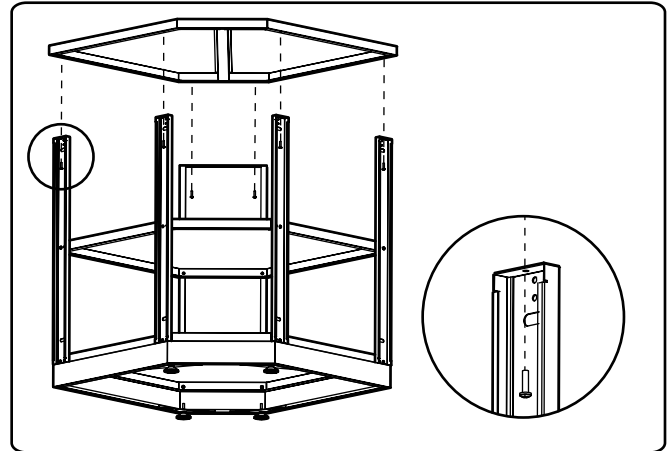
2 Fixer les 2 montants de granit inclus avec 4 x M4 x 10 mm pan head bolts au sommet des montants.



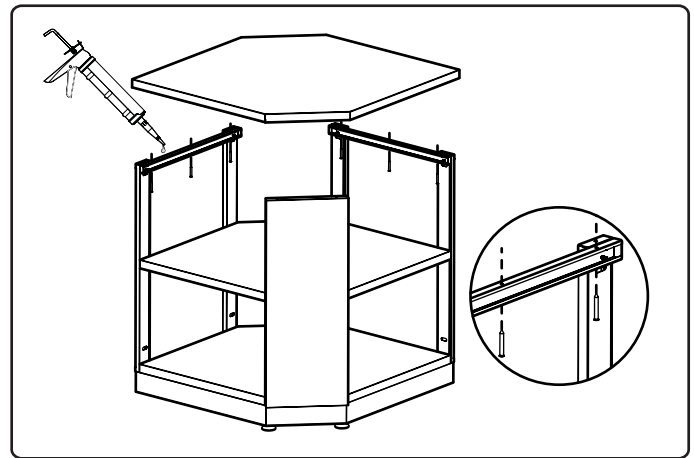
4 Appliquer un peu de silicone à 8 endroits pour fixer le comptoir en place. Essuyer l'excédent de silicone qui dépasse pendant l'installation.



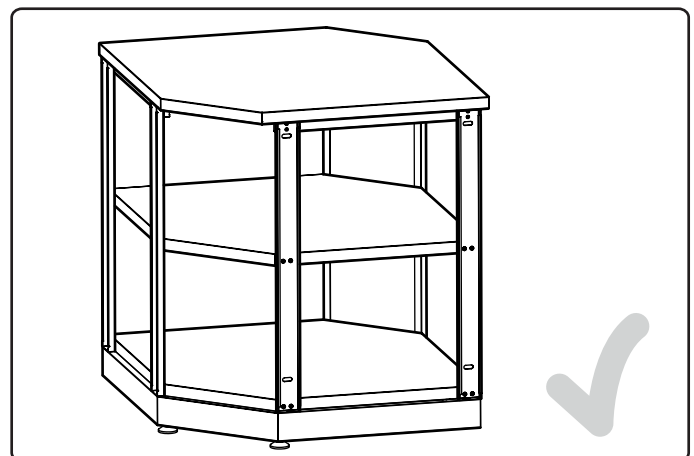
1 Enlever le dessus en acier inoxydable en retirant 6 x tête cylindrique bombée M4 x 10 mm



3 Fixer le dessus de granit avec 6 vis pour bois à tête plate bombée ST4.2-16 sur le support de granit en contreplaqué.

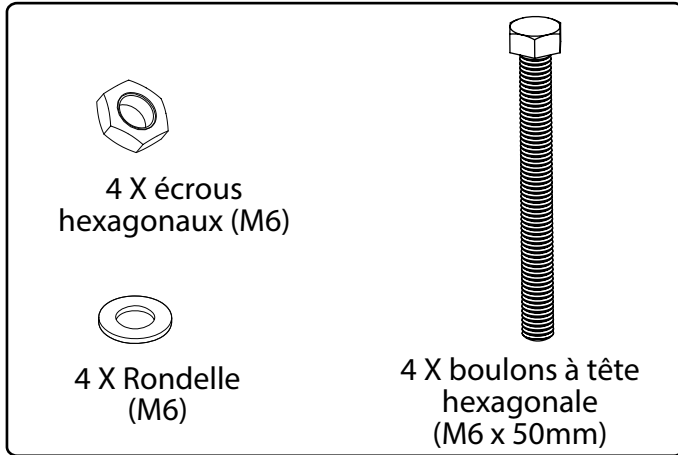


5 Laisser l'adhésif de silicone sécher pendant 24 heures avant de mettre un poids sur la surface.

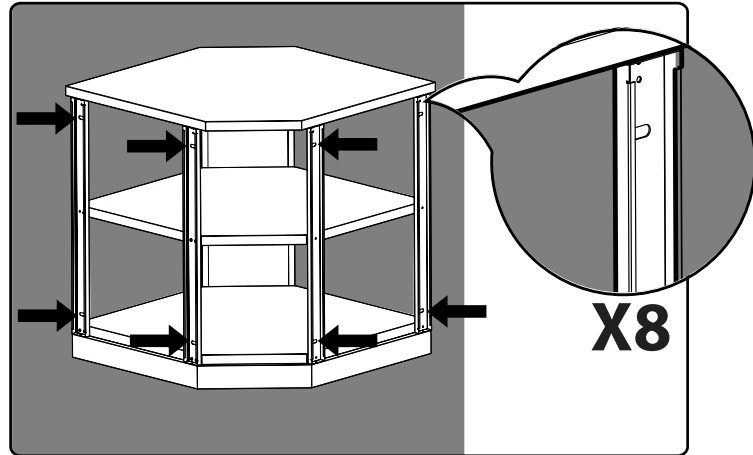


Fixation des armoires (les unes aux autres)

1 Parts Needed.

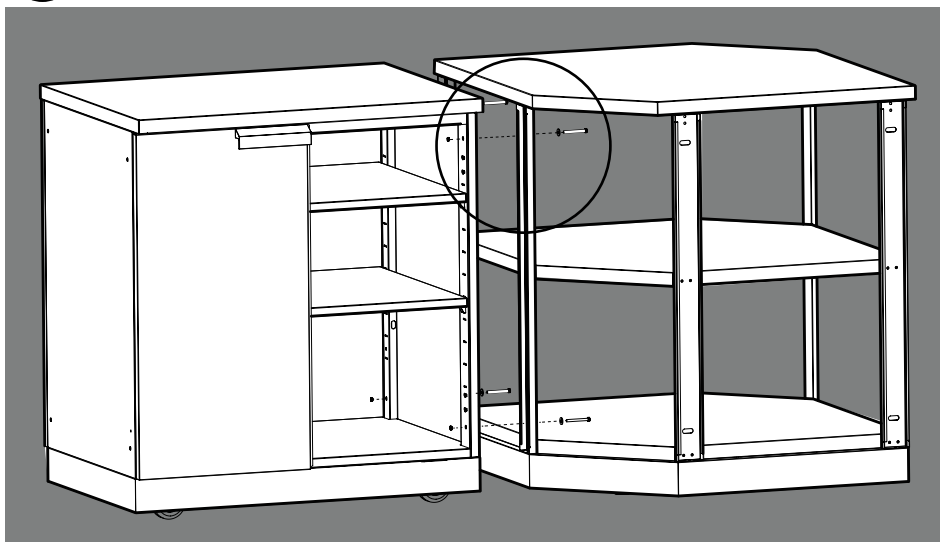


2 Repérer les fentes des boulons sur les supports verticaux.

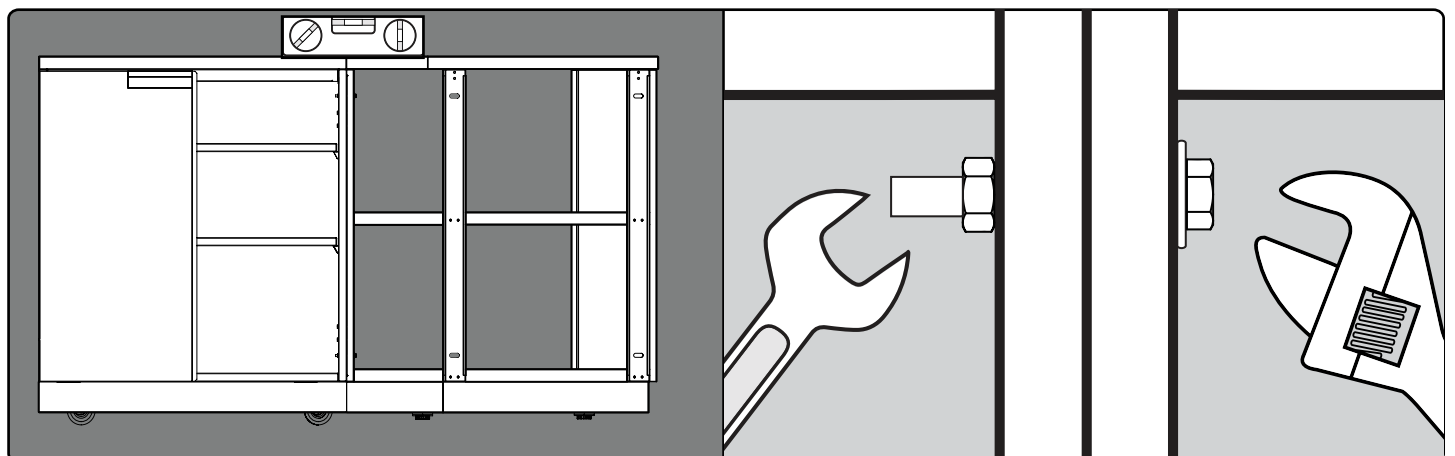


*** porte amovible pour faciliter l'explication ***

3 Alignez les boulons, puis serrez-les légèrement.

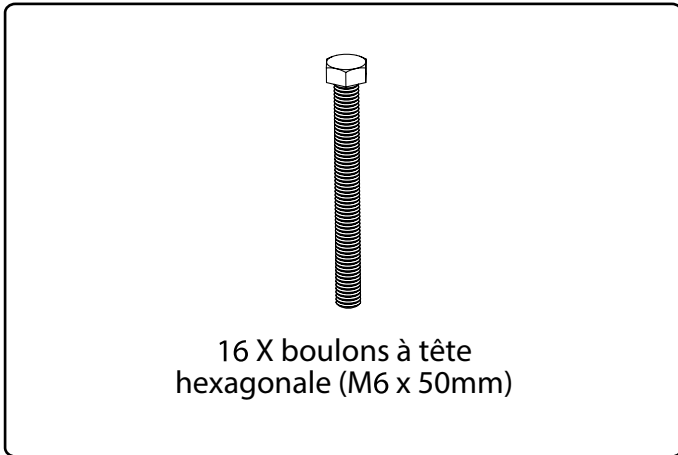


4 Mettez les armoires de niveau, puis resserrez tous les boulons.

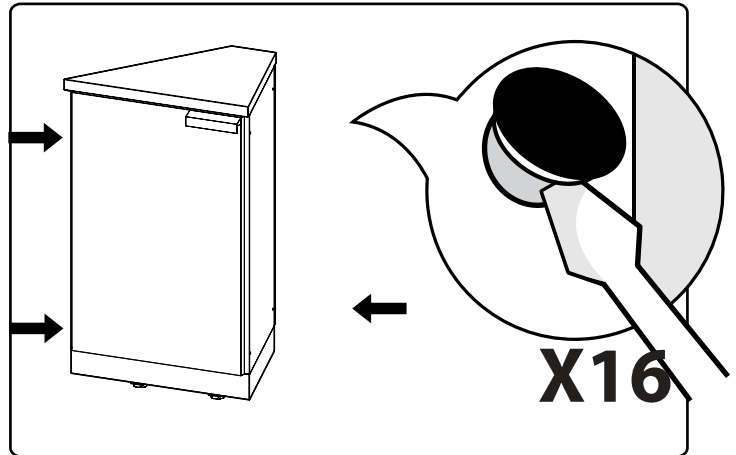


Fixation des armoires (les unes aux autres)

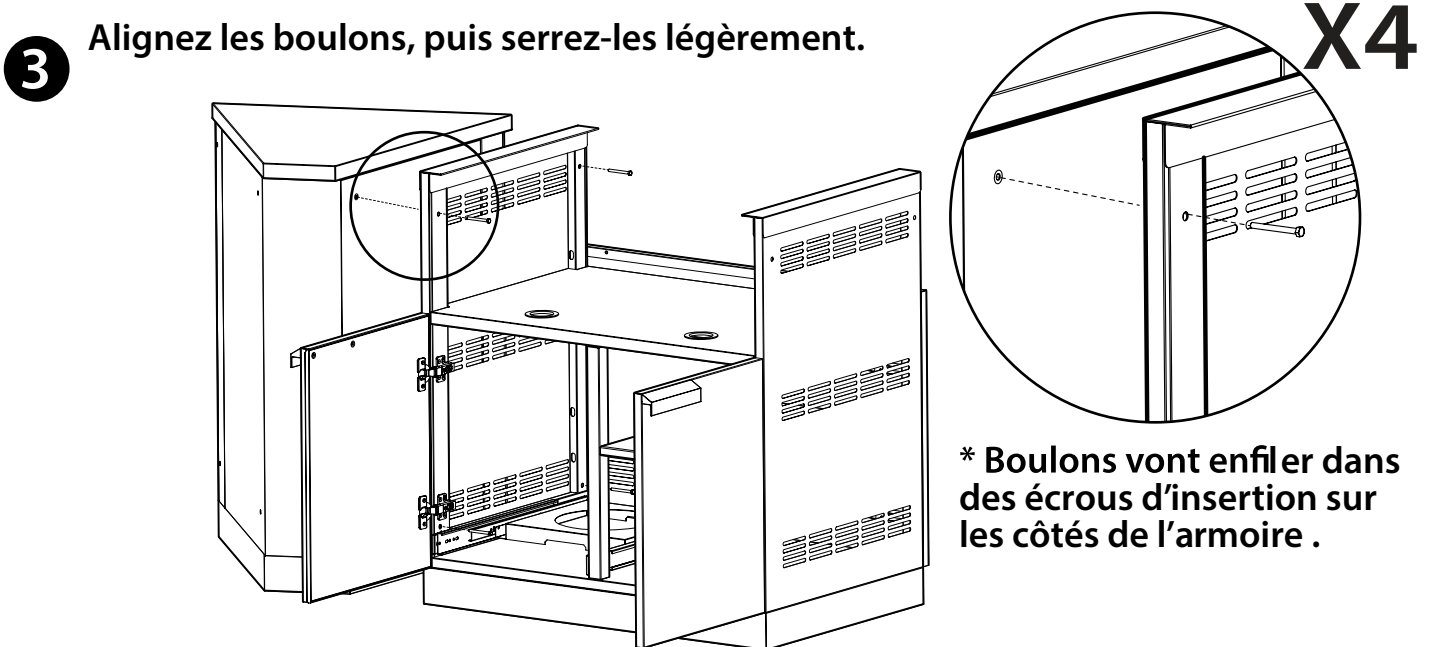
1 Pièces requises



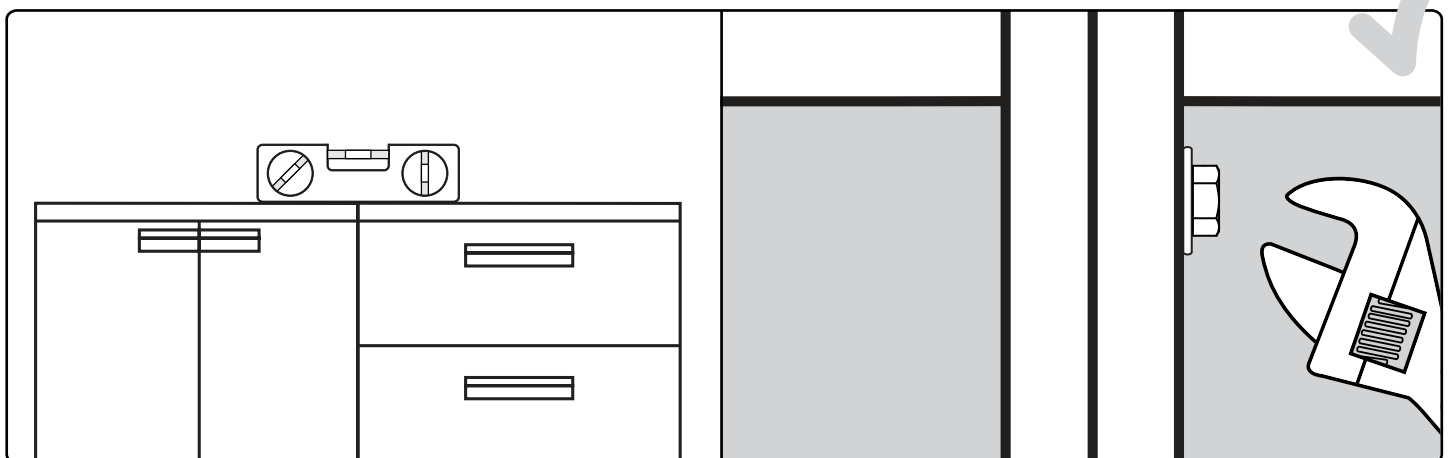
2 Enlevez les bouchons en plastique des armoires.



3 Alignez les boulons, puis serrez-les légèrement.



4 Mettez les armoires de niveau, puis resserrez tous les boulons.



Entretien et maintenance de votre aluminium et armoires en verre

Entretien régulier

Laver régulièrement avec de l'eau fraîche et propre , un détergent doux et un chiffon en microfibres .

Après lavage rinçage à l'eau propre et sécher la surface avec votre souvenir en tissu pour sécher le verre et la surface en aluminium . En général, vous devriez laver vos armoires en aluminium tous les trois mois . Les zones côtières ou à côté d'une piscine de chlore plus fréquemment toutes les 2 semaines .

Ne pas utiliser de nettoyeurs abrasifs ou un tampon à récurer de tout type comme ils vont provoquer une usure excessive et ternir le fini peint et anodisé .

Powder Coated finitions dans les environnements côtiers peuvent montrer un film laiteux sinon lavé régulièrement.

Ne pas laisser les liquides alimentaires restent sur la surface à une période prolongée. Pour une meilleure protection utiliser une mince couche de protecteur à la surface . Nous ne recommandons pas d'utiliser ce revêtement pour les zones de préparation des aliments . La prévention est la meilleure façon de procéder à l'entretien .

Liste des conditions communes qui provoquent la corrosion ou décoloration du revêtement sur l'aluminium et doit être évitée :

1. Chlorure contenant des nettoyeurs - ce qui comprend l'eau de Javel et de produits de nettoyage contenant l'eau de Javel

2. L'acide chlorhydrique (acide chlorhydrique) - couramment utilisé pour nettoyer après carrelage / installation de béton

3. résidus de savon concentré - additifs chimiques causent la décoloration et certains savons secs en fait ressembler à la rouille

4. L'acide fort ou forte alcaline nuira surface , comme l'acétone , la butanone, le vinaigre de riz , vin blanc, la moutarde , etc.

5. humidité Trapped entre le produit et le couvercle - tapis en caoutchouc , des boîtes métalliques ou cans-cleaner

Autoriser les armoires à sécher complètement avant de le couvrir .

6 .. Sels - contiennent des chlorures

7 .. Extreme Heat par Flame

8. Ne pas permettre d'agrumes ou de jus de tomate à rester sur les surfaces en acier inoxydable nettoyeurs.

9. Non abrasifs, de tampons de laine d'acier , ou des chiffons abrasifs car ils pourraient rayer la finition .

OXYDATION Removal

Si vous avez légère oxydation il y a quelques étapes à suivre pour faire vos armoires en aluminium retour à " comme neuf" .

Appliquer de l'eau avec une éponge de nettoyage et frottez doucement sur la finition peinte . Si la marque ne se déplace pas , il peut être nécessaire d'utiliser un nettoyeur doux , auquel cas appliquer le nettoyeur et frottez doucement . Après le nettoyage , il est important de rincer la peinture de revêtement en poudre avec de l'eau propre et fraîche et polissez avec un chiffon doux . Si vous devez utiliser un tampon à récurer , utilisez un tampon à récurer en plastique sans teneur en métal .