

#MIS119

Model #4850

Nantucket

privacy panel



PACKAGE CONTENTS:

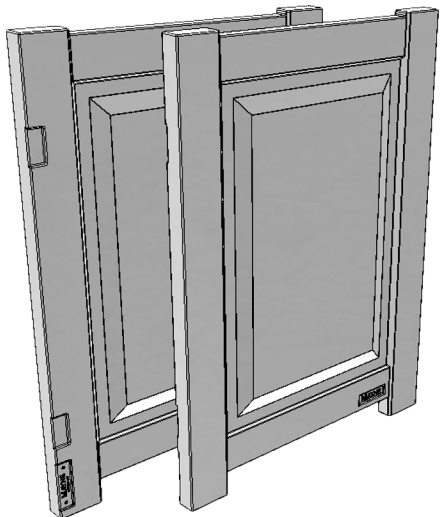
- 2 privacy panels
- 2 sets of hinges with screws (6 screws per hinge)
- 3 ground stakes with screws (2 screws per stake)

MATERIAL: Polyethylene

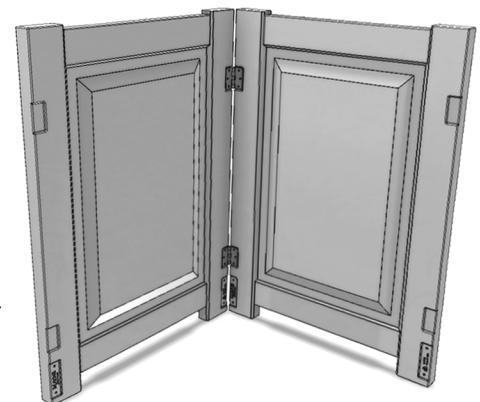
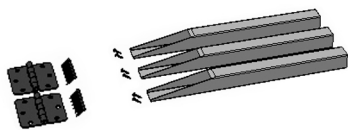
TOOLS REQUIRED: Cordless drill, level, rubber mallet

GENERAL INFORMATION:

- Molded from durable, all-weather polyethylene.
- Rinse clean with a garden hose; for a deeper clean, use a power washer.
- 15-year warranty for residential use, 5-year warranty for commercial use, 1-year warranty on hardware.



Front Side



Back Side

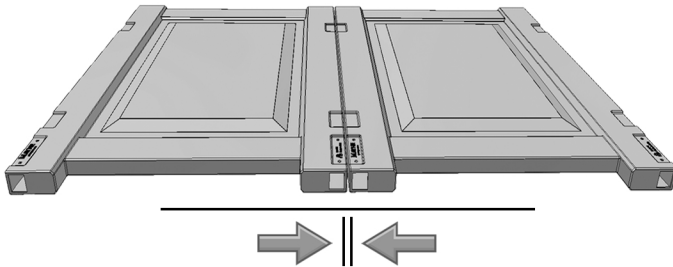
MAYNE[®]
Outdoor Products of Distinction
gomayne.com

For customer service inquiries email customerservice@gomayne.com or call toll free at 866-363-8834 (available Monday through Friday, 8am-5pm EST).

Installation instructions

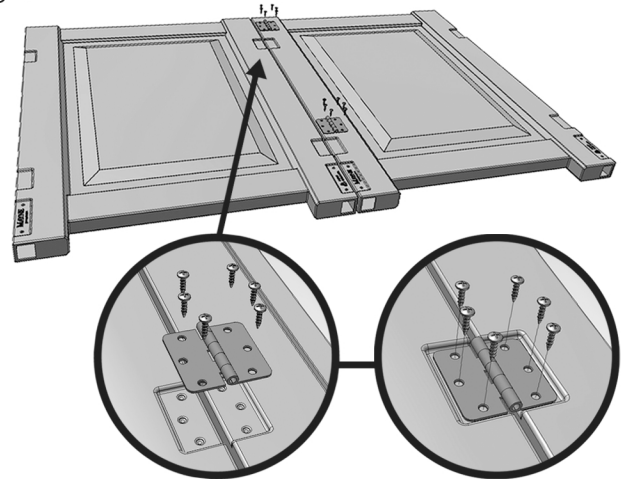
STEP #1

Lay panels down side by side with hinged side facing up. Leave a 1/4 inch gap between the 2 panels and make sure the bottom footings are even.



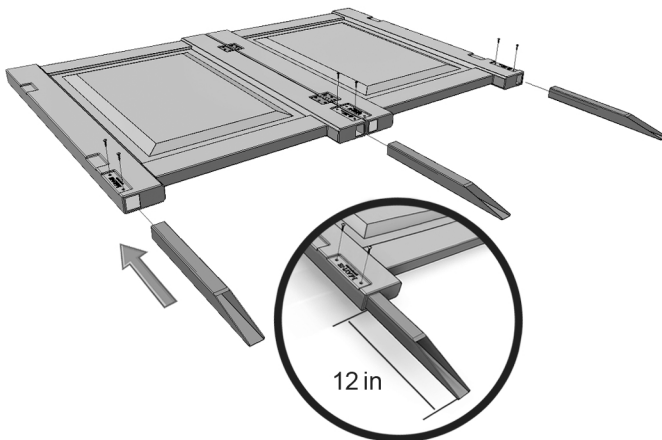
STEP #2

Position hinges as shown and fasten screws into the marked locations. Dimples are molded into part for easier alignment for hinges and screws. Do not over-tighten.



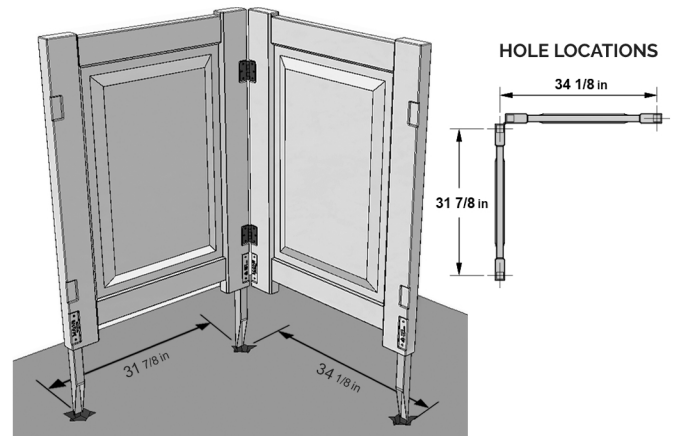
STEP #3

Slide the 3 ground stakes inside the post openings leaving 12 inches exposed from the bottom. Insert 2 ground stakes in the left panel and 1 ground stake in the right panel as shown. Fasten in place with 2x 3/4 inch truss head screws provided (2 per stake).



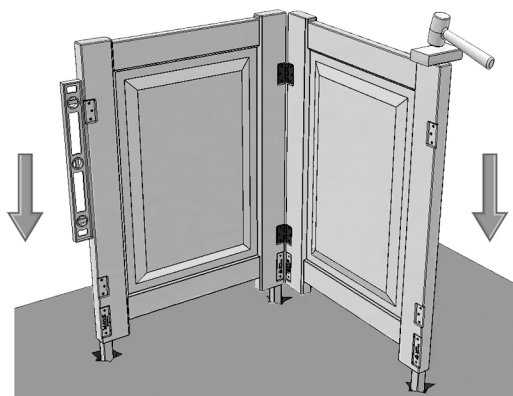
STEP #4

Position the panels in the desired location and mark the position of the ground stakes. Dig small starter holes and add water to loosen the soil.



STEP #5

Use a wood block and rubber mallet to gently hammer the panels into the ground. For hard soil, dig 12 inch deep holes, set the panels in place, then back fill the holes and compact the soil.



STEP #6

When mounting on flat surfaces like concrete or a wood deck, secure the panels in place using corner brackets (sold separately).

