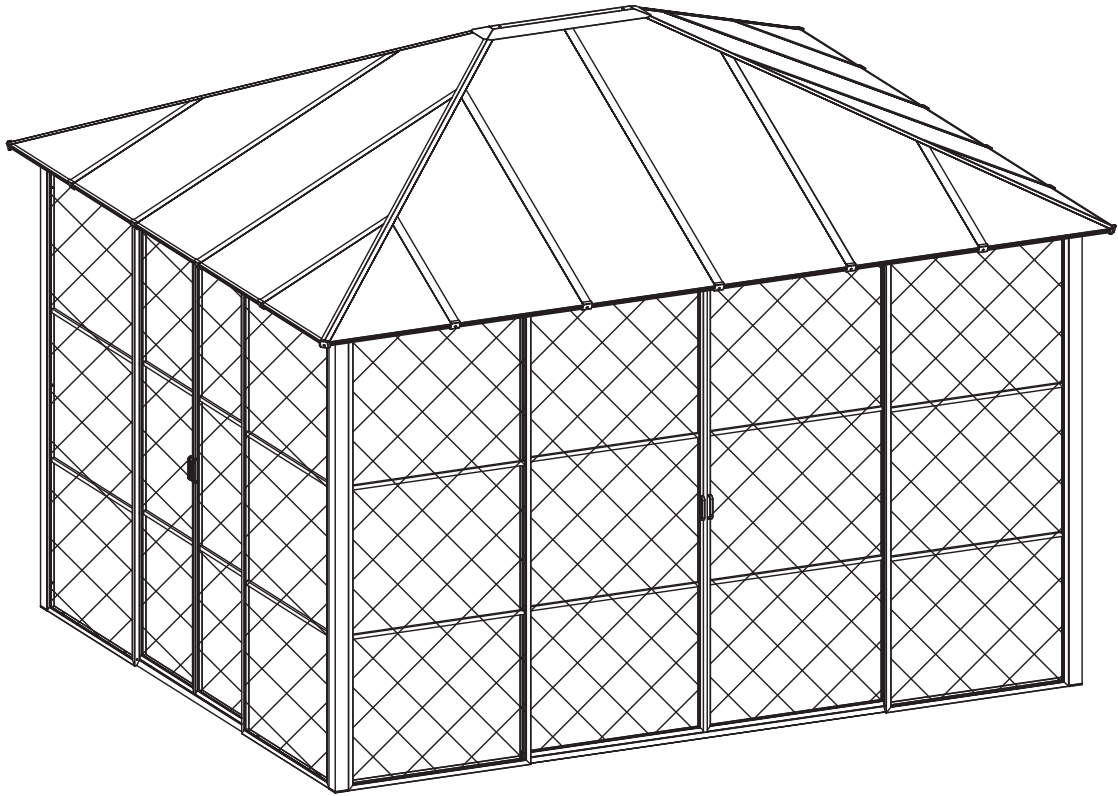


Netherlands 3 seasons ACP gazebo 10 x 12' B101245(2021)

Assembly instructions



MEUBLES DE JARDIN
CORRIVEAU
OUTDOOR FURNITURE

Important:

Please read and follow all safety statements, warnings, assembly instructions, use & care directions before attempting to assemble. Each of the recommendations must be followed to ensure the utmost solidity.

Security rules:

Warning:

Keep flame and heat sources away from the gazebo fabric. The fabric may burn or melt at direct contact or prolonged exposure with a source of heat. The application of any foreign substance to the gazebo fabric may affect or even makes ineffective the flames retardant properties.

Regulation

It is the responsibility of the consumer being in accordance with city regulation, construction code, zoning or any limitations and obtaining permit prior assembling the gazebo.

Recommendation

- When assembling and using this product, basic safety precautions should always be followed to reduce the risk of personal injury and damage to parts.
- Do not use the gazebo during extreme weather conditions.
- Before beginning assembly of product, make sure all parts are present. Compare parts with package contents list. If any part is missing or damaged, do not attempt to assemble the product.
- Some parts may contain sharp edges. Use of protective gloves is always recommended.
- When installing and assembling your gazebo, it is recommended that 2 or more adults are involved.
- Considering at least five hours to complete installation, even well anchored, a gazebo unit that is not finished assembly can get or create damages to nearby environment.
- Verify that all nuts and bolts are tightly secured before and during use period.
- Use proper tools and equipment for a safe and compliant installation. Never climb, sit or stand on structure while assembling.
- Although this gazebo is built for all year round, **the snow must be removed from the roof.**
- Mosquito net and curtains (optional) must be removed from the unit in freezing period.
- Anchoring bolts or other anchoring devices are not supplied.
- Keep away from any electric installation or transportation device.
- Always recommended to keep assembly manual for eventual further reference.

Care

Avoid using a pressure washer. The use of a mild soap with warm water is the best solution for the frame only. A clear water rinse is necessary then. Never use soap on fabric, this will reduce their durability, consequently their lifespan and general look. The use of a soft brush and warm water are an excellent solution for cleaning the fabric.

Warranty

Covered

We warrant the frame and fabric to be free of manufacturing defects to the original purchaser for one year.

Not covered

This warranty does not cover commercial use, improper care, neglected storage, vandalism, chemical, acts of nature, fire, oxidation, stains, freeze damage, improper packaging for return and unreasonable or abusive use. Normal discoloration and **build-up snow are not covered either.**

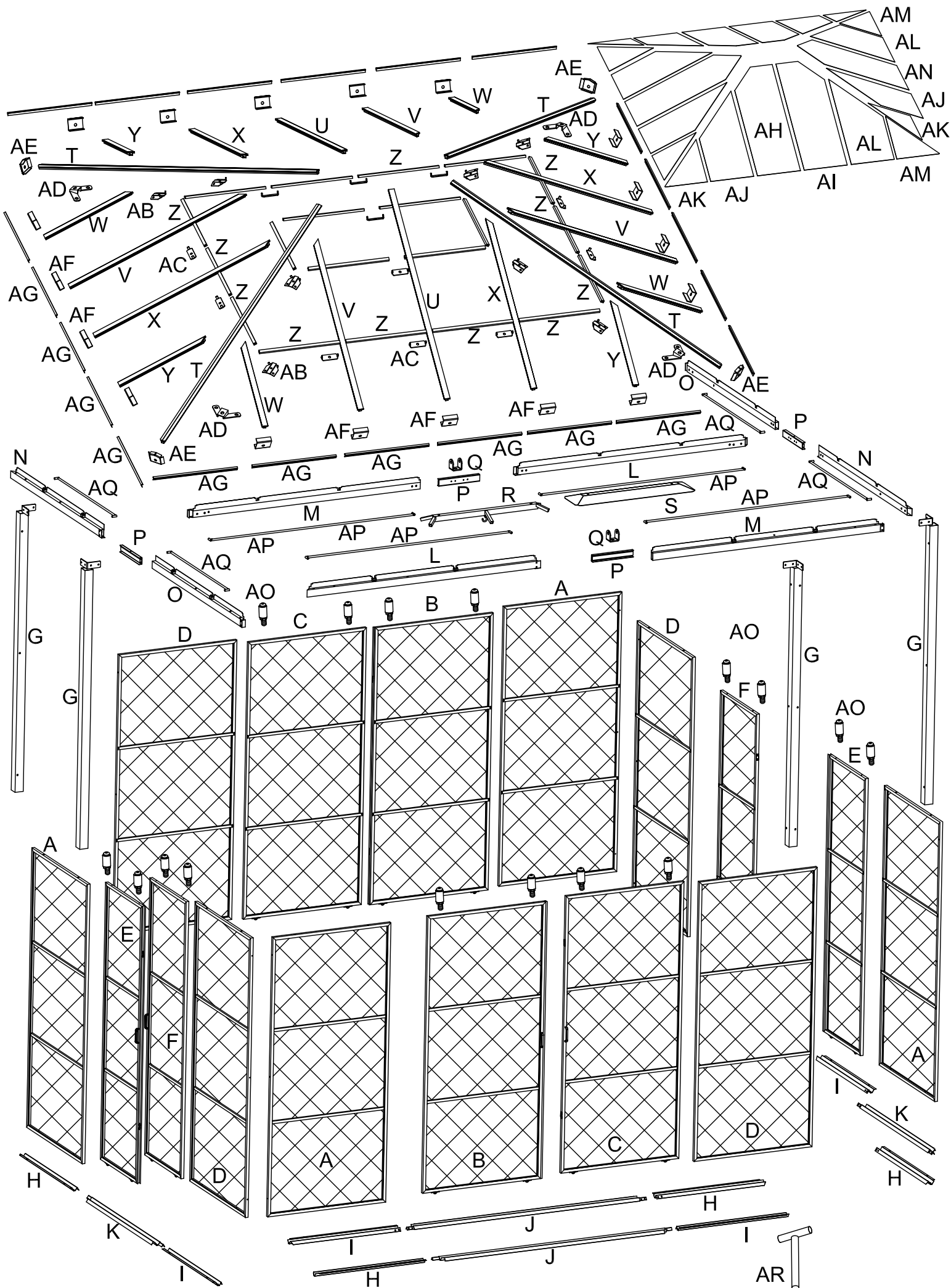
Customer service:

Consumer

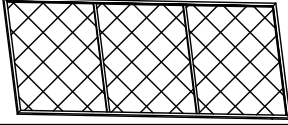
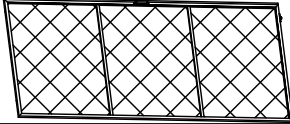
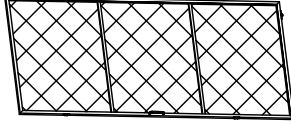
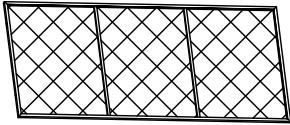







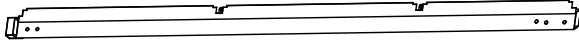
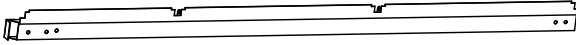
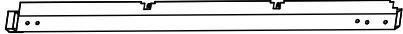
For each part request, please contact your retailer with a description of the problem, pictures and consumer invoice copy, to ensure the proper information to be proceed.

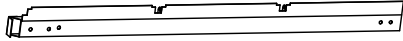


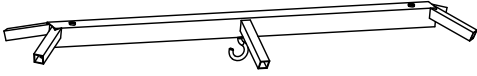








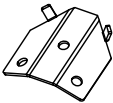
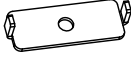
Seller

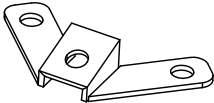
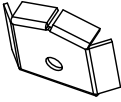
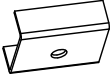

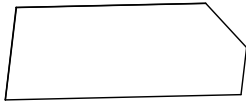


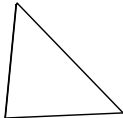

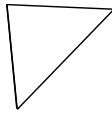


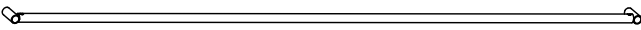
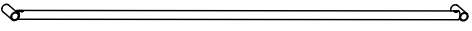
In addition to all the information already provided by the consumer, any parts requested must mention the person responsible for the client's file, the retailer name, address, branch if applicable, e-mail address, fax and phone number.

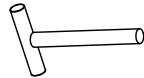



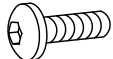
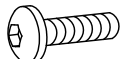
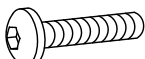
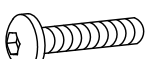
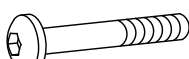


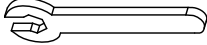



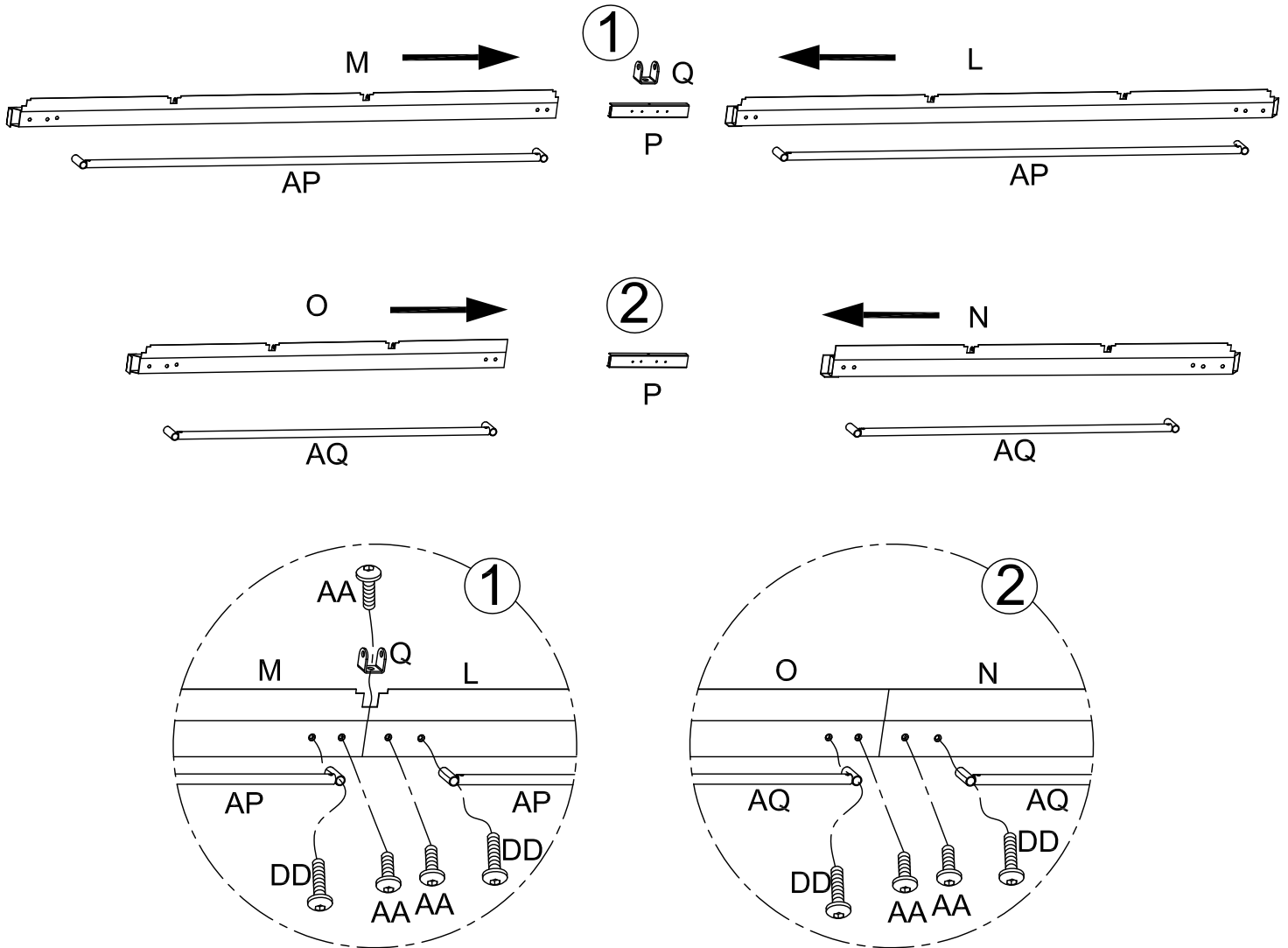
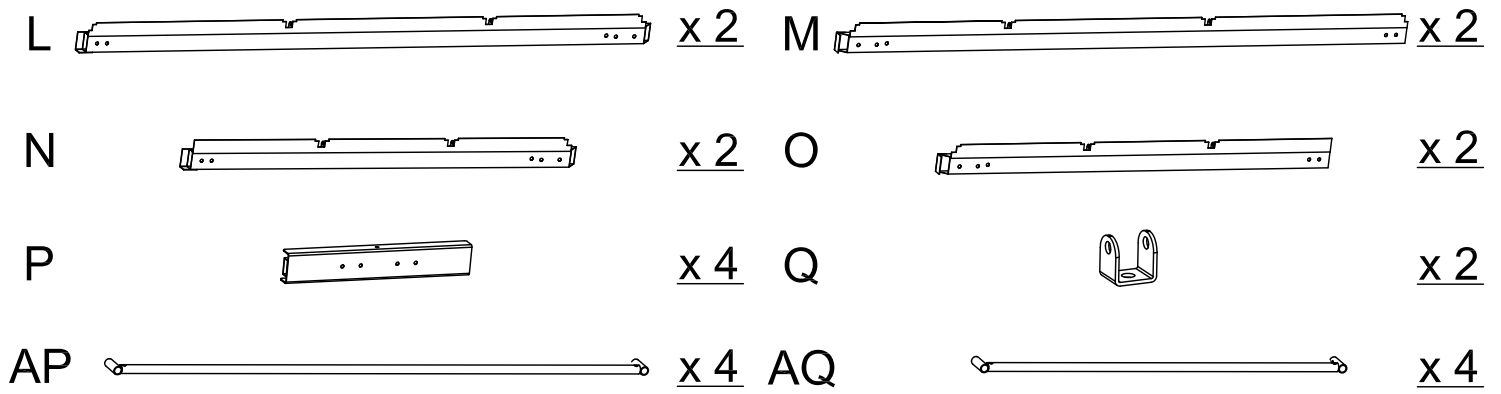
PARTS LIST:

No.	Description	Sketch	Qty
A	Panel (Left)		4
B	Wide sliding door (Left)		2
C	Wide sliding door (Right)		2
D	Panel (Right)		4
E	Narrow sliding door (Left)		2
F	Narrow sliding door (Right)		2
G	Post		4
H	Base sliding rail		4
I	Base sliding rail		4
J	Long base sliding rail		2
K	Short base sliding rail		2
L	Long crossbar		2
M	Long crossbar		2
N	Short crossbar		2

No.	Description	Sketch	Qty
O	Short crossbar		2
P	Connector		4
Q	Tip connector		2
R	Roof connector		1
S	Roof cap		1
T	Corner roof tube		4
U	Roof tube		2
V	Roof tube		4
W	Roof tube		4
X	Roof tube		4
Y	Roof tube		4
Z	Roof support tube		20
AB	Bracket		8
AC	Bracket		12

No.	Description	Sketch	Qty
AD	Corner connector		4
AE	Corner moulding		4
AF	Center moulding		18
AG	Roof edge		22
AH	Roof panel		2
AI	Roof panel		2
AJ	Roof panel		4
AK	Roof panel		4
AL	Roof panel		4
AM	Roof panel		4
AN	Roof panel		2
AO	Stopper		16
AP	Rail		4
AQ	Rail		4

No.	Description	Sketch	Qty
AR	Locator tool		1
AS	Buffer strip	 1928mm	8
AT	Buffer strip	 1750mm	2
AU	Buffer strip	 1150mm	2
AA	Bolt M6*15mm		114
BB	Bolt M6*20mm		16
CC	Bolt M6*35mm		18
DD	Bolt M6*45mm		40
EE	Bolt M6*65mm		16
FF	Nut M6		18
GG	Allen key		1
HH	Spanner		1
II	Plastic washer		2



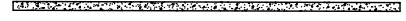
Step 1:

1. Insert connectors (P) into long crossbars (M) and long crossbars (L) as figure shown, and secure with bolts (AA). Then insert bolts (DD) through rails (AP), secure with long crossbars sets (M & L) as fig.1 shown. **Bolts can be tight completely.**
2. Insert connectors (P) into short crossbars (O) and short crossbars (N) as figure shown, and secure with bolts (AA). Then insert bolts (DD) through rails (AQ), secure with short crossbars sets (O & N) as fig.2 shown. **Bolts can be tight completely.**
3. Finally insert bolts (AA) through tip connectors (Q), secure with long and short crossbars sets (M & L & O & N) as fig.1 shown. **Bolts can be tight completely.**

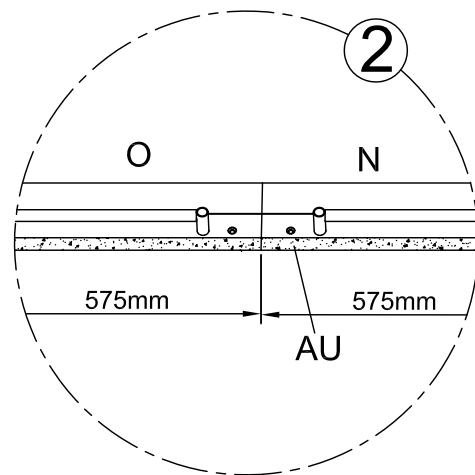
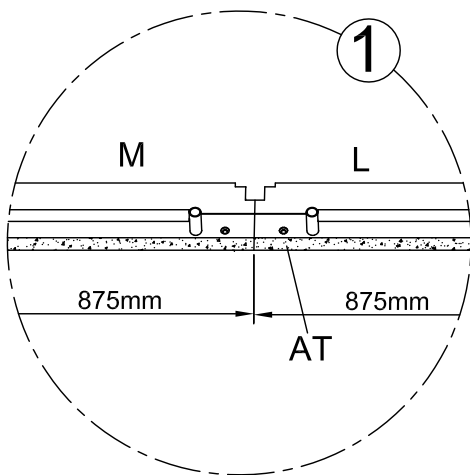
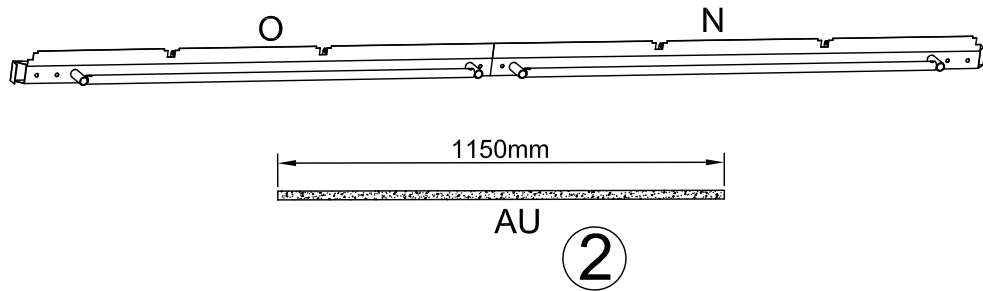
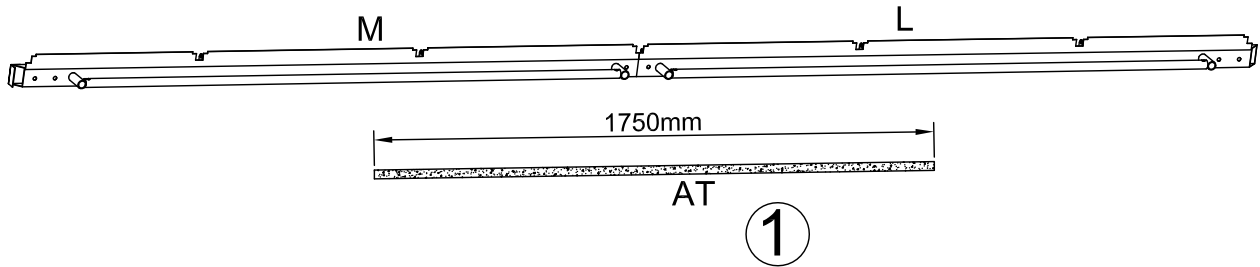
AT



x 2 AU



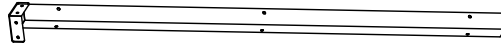
x 2



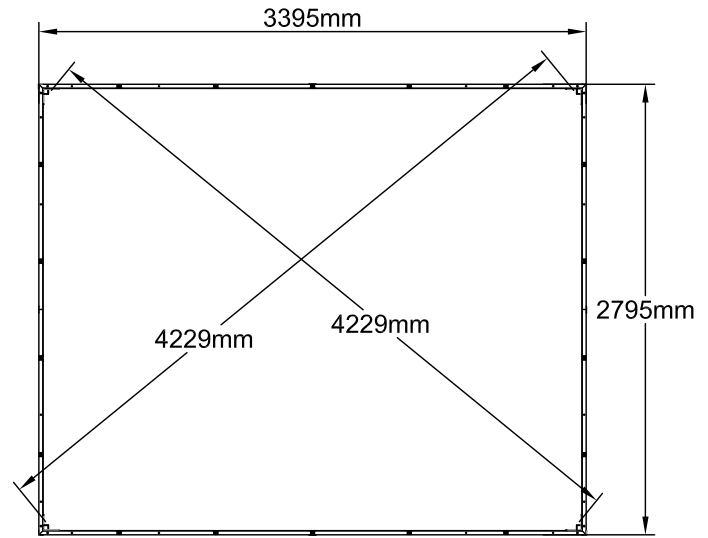
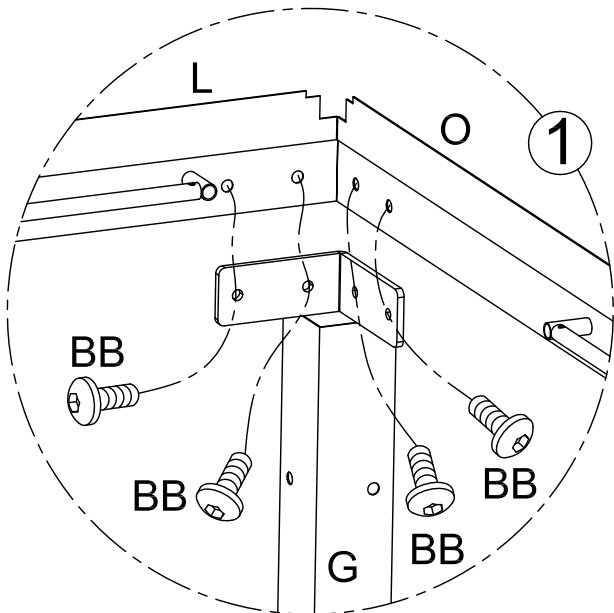
Step 2:

As illustrated, put buffer strips (AT) on long crossbars sets (M & L) and buffer strips (AU) on short crossbars sets (O & N). **Take care to split length of buffer strips in half from junction point.**

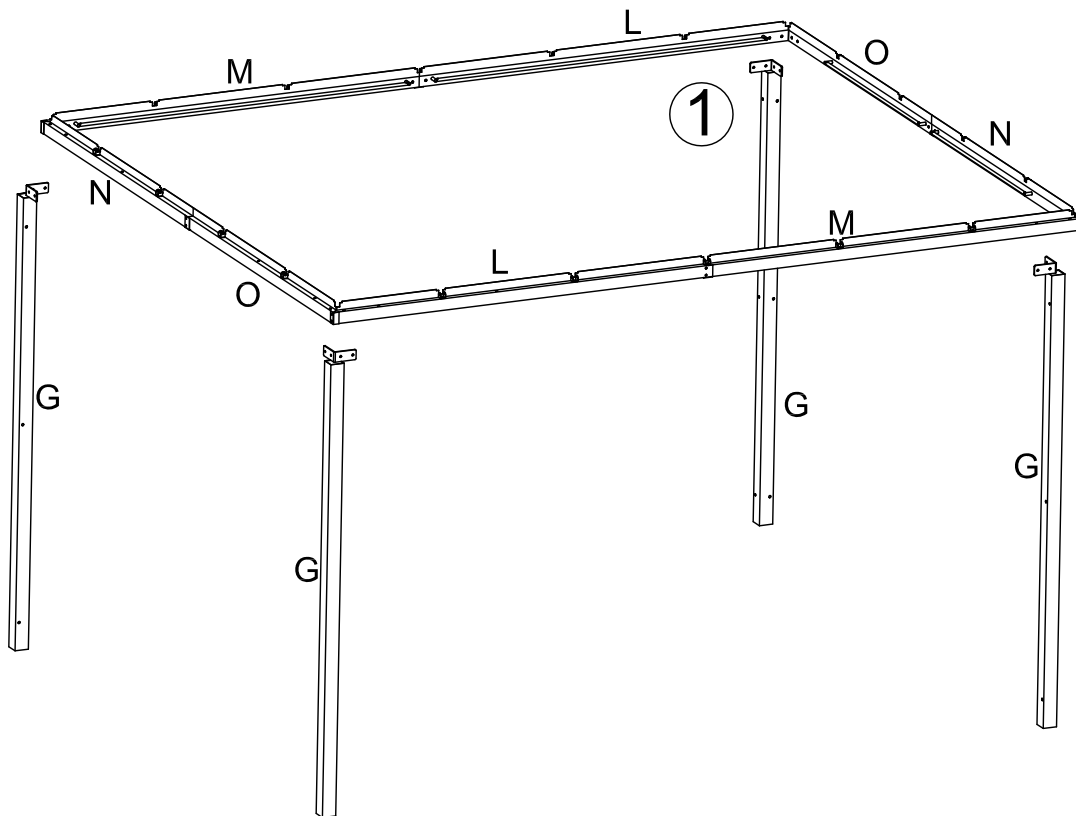
G



x 4



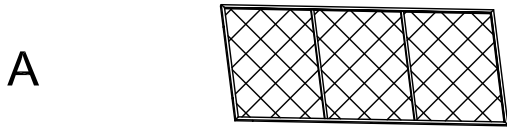
This is important to get square angles in crossbars corner so diagonal measurements (X) should be taken at top of posts in corners and get the same for both. This care refer to get an easy assembly.



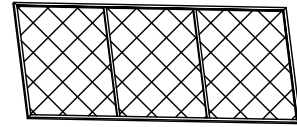
Step 3:

As illustrated in fig.1, lay down crossbars sets (M & L) and short crossbars sets (N & O) on posts (G), then attached posts (G) on crossbars four corners by using bolts (BB).

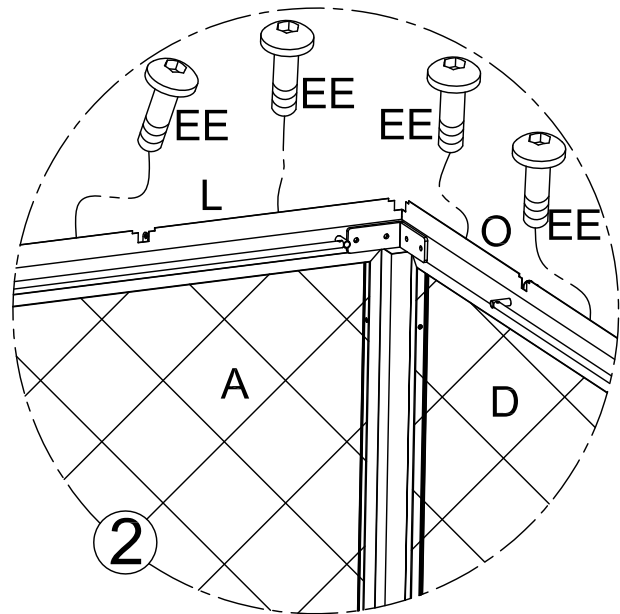
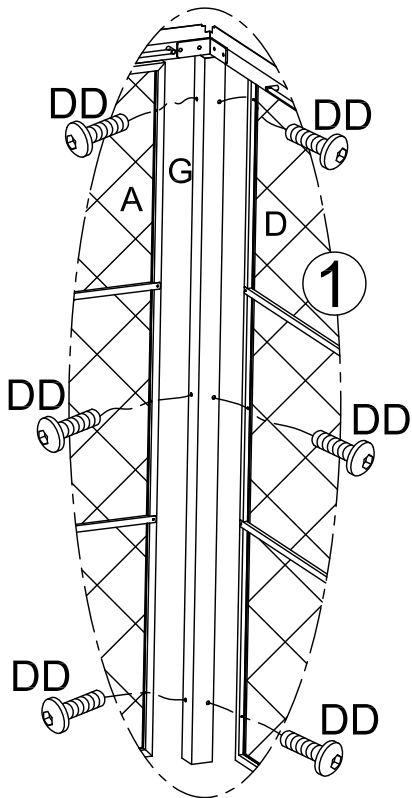
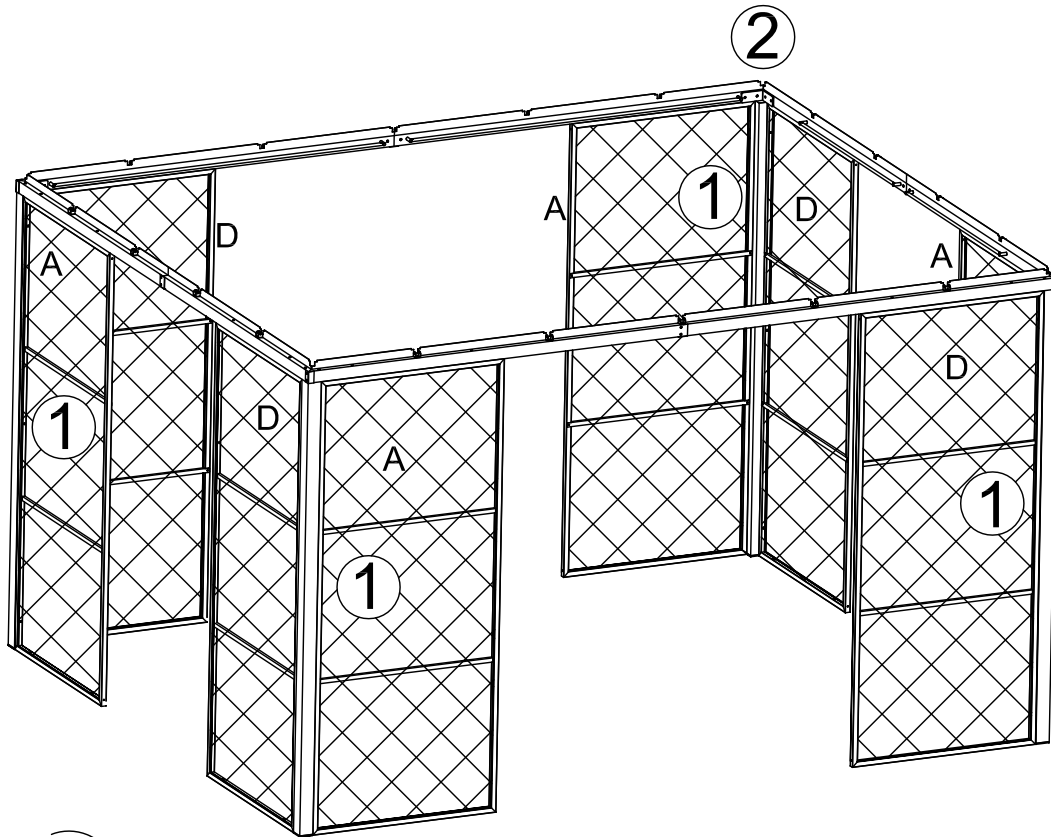
Note: Please check above fig. carefully and make sure all the parts are in right position. For your security, you may need 4 people for this step. **Do not tight bolts completely yet.**



x 4 D



x 4



Step 4:

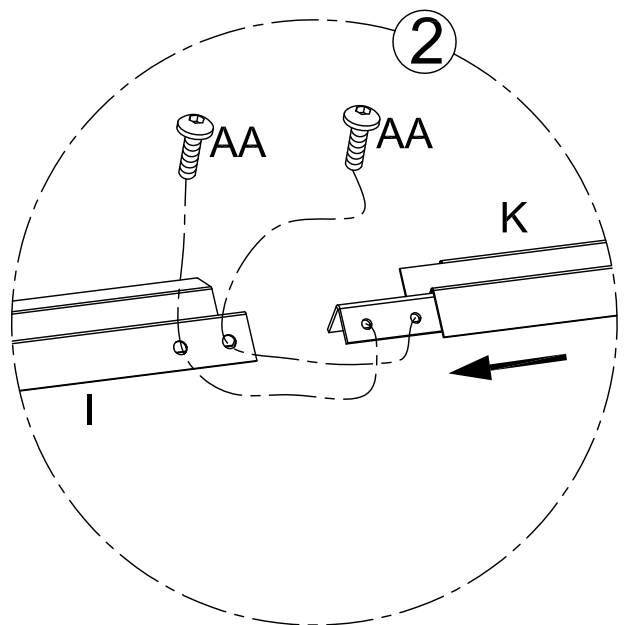
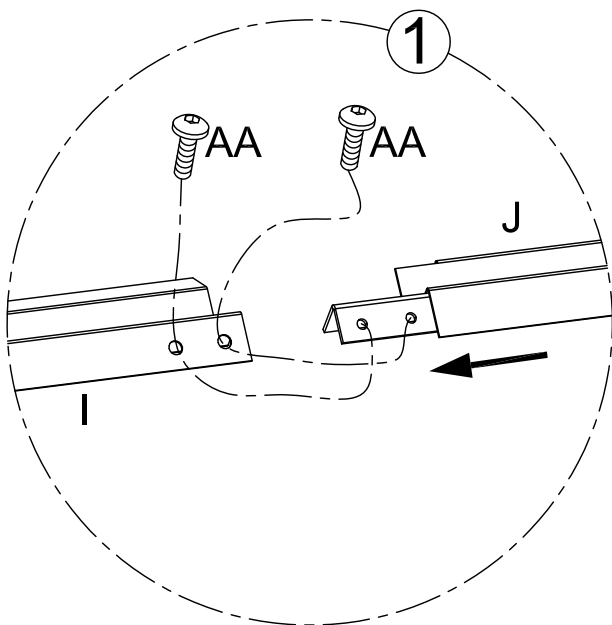
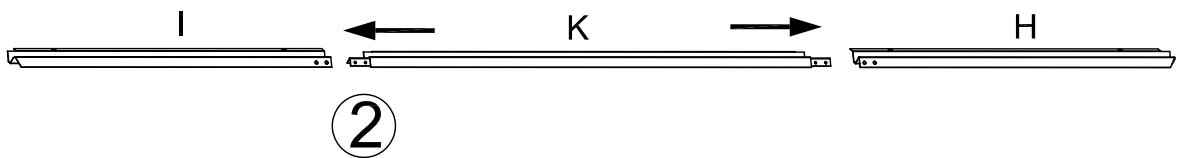
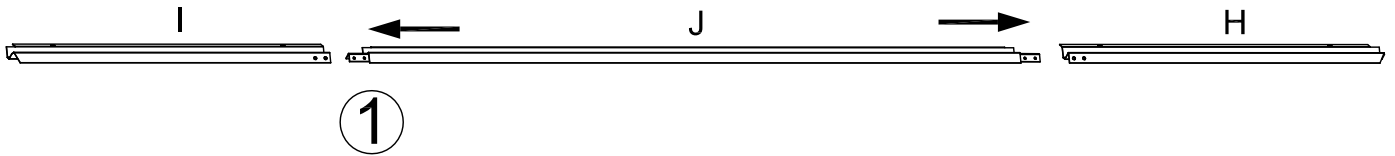
Secure left & right panels (A & D) to posts (G) by using bolts (DD) as shown in fig.1, then insert bolts (EE) through crossbars to secure panels (A & D) as fig.2 shown. **Do not tight bolts completely yet.**

H  x4

I  x4

J  x2

K  x2

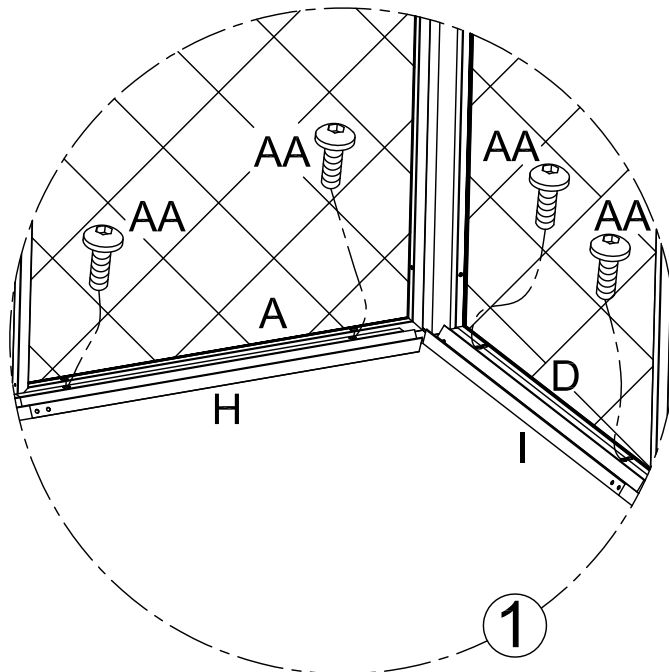
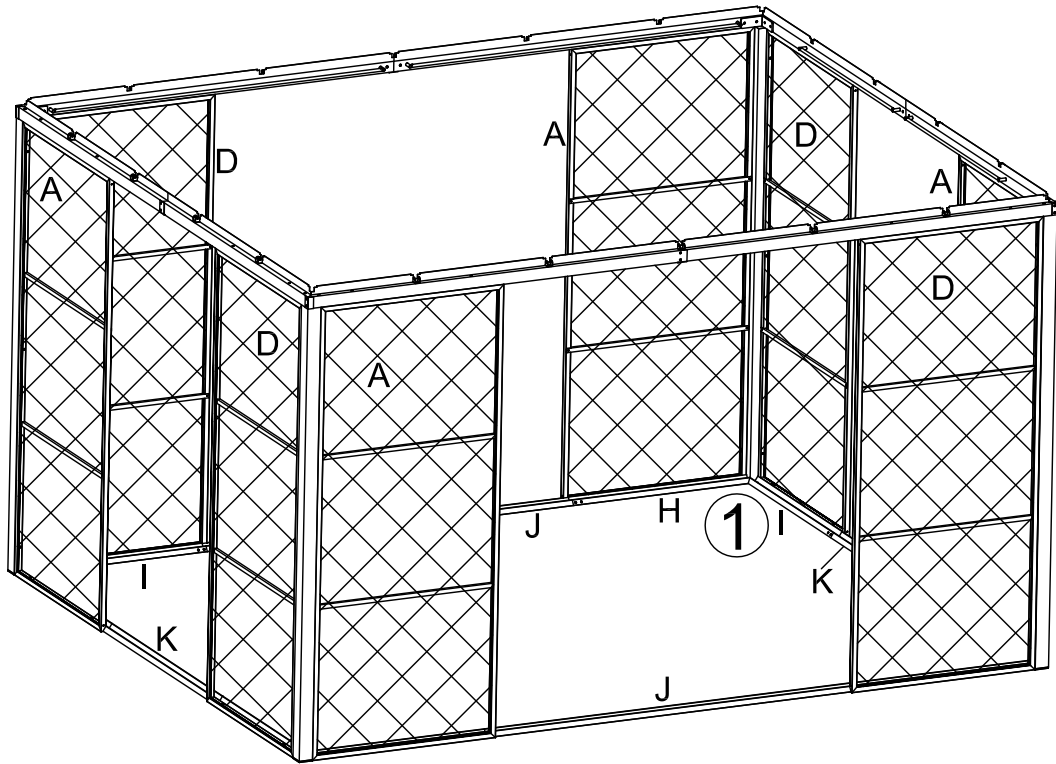


Step 5:

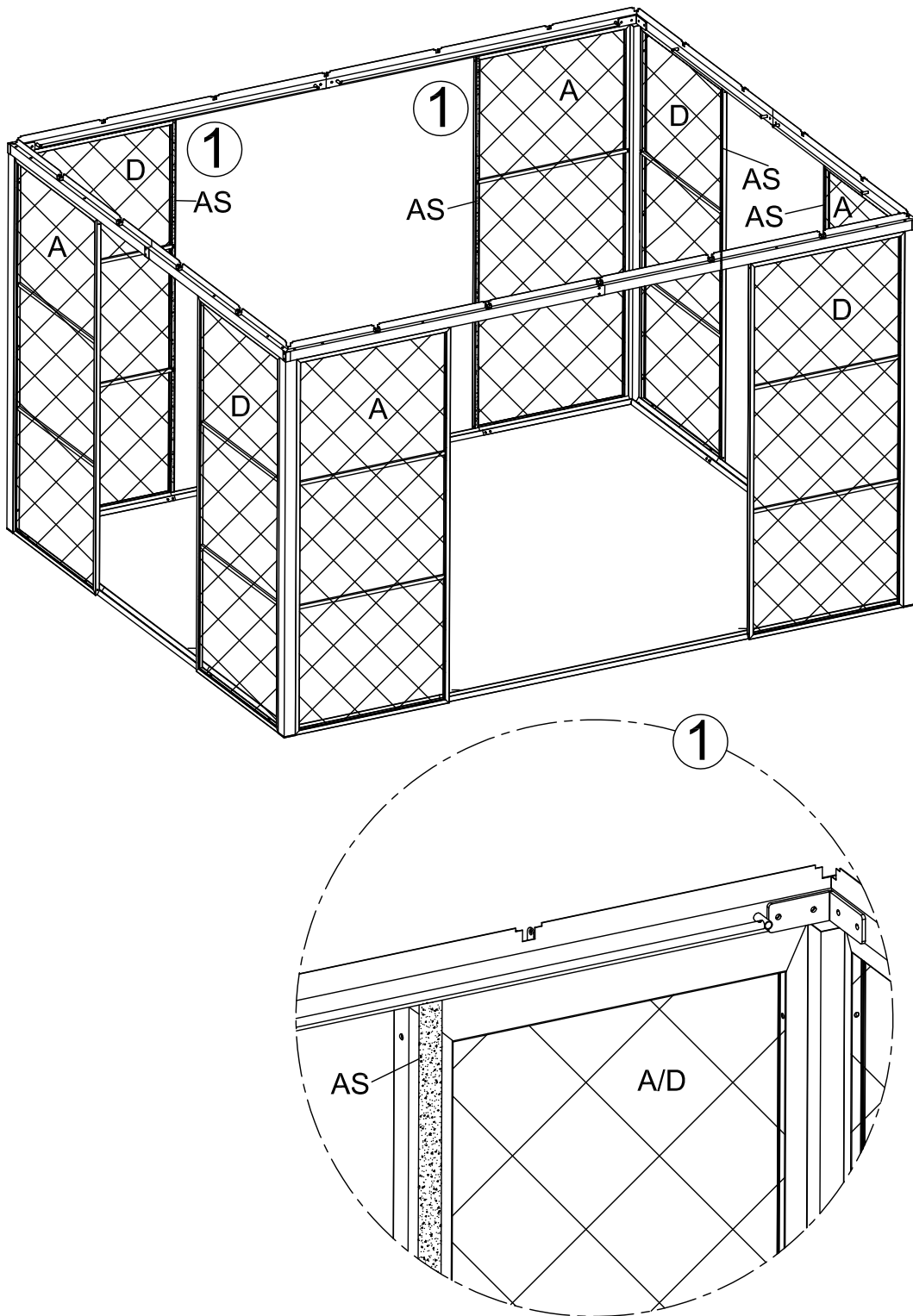
1. Secure long base sliding rails (J) to base sliding rails (I & H) by using bolts (AA) as fig. 1.

2. Secure short base sliding rails (K) to base sliding rails (I & H) by using bolts (AA) as fig. 2.

Bolts can be tight.

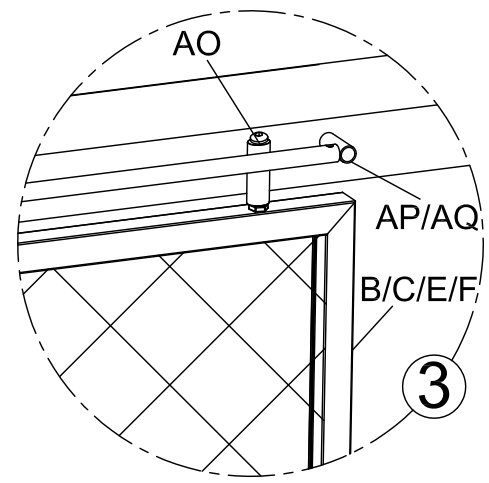
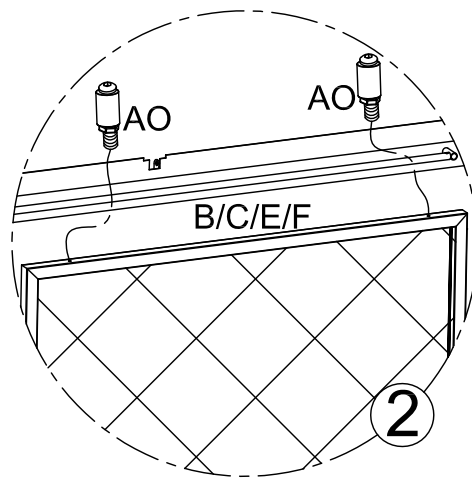
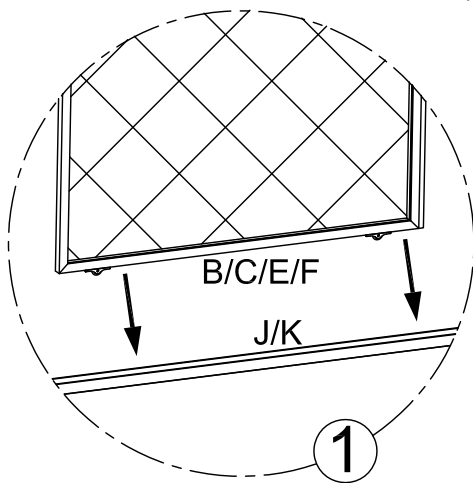
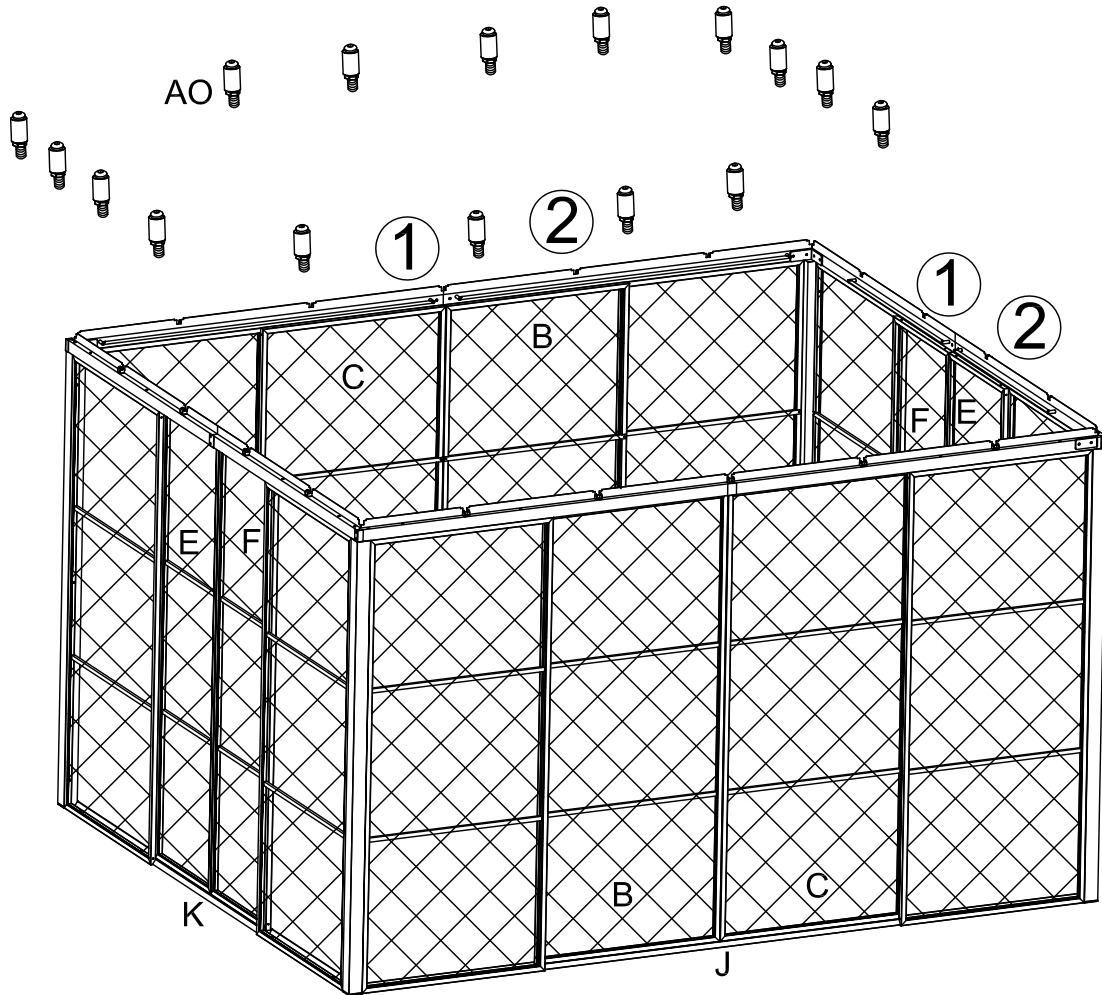
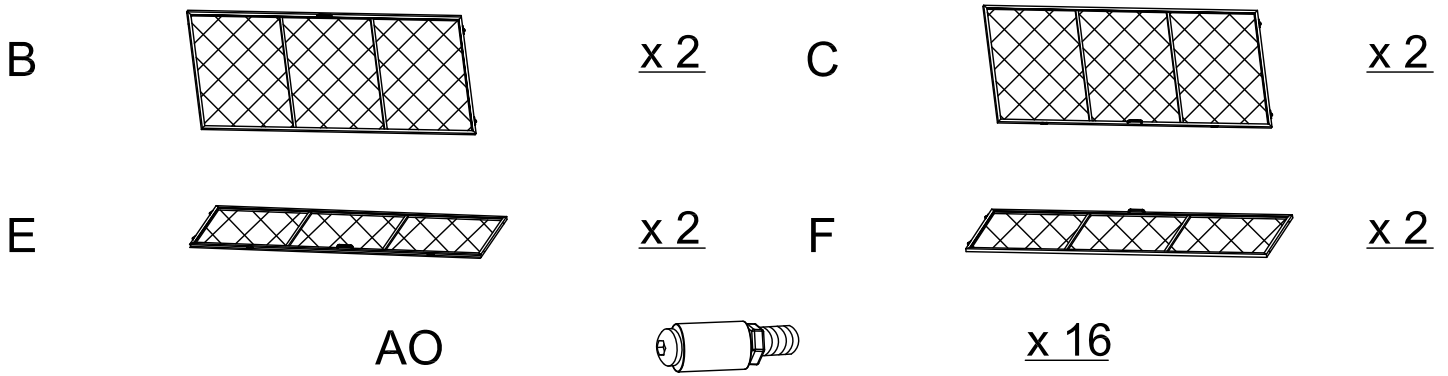


Step 6:
 As illustrated, secure step 5 assembled parts to the panels (A & D) by using bolts (AA). **Bolts can be tight completely.**



Step 7:

As illustrated, put buffer strips (AS) one edge only of each panel frame (A & D).

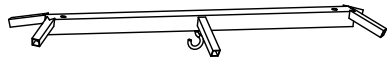


Step 8:

1.Lay down left & right wide sliding doors (B & C) on the long base sliding rails (J) and fix stoppers (AO) as shown in fig.1 & 2 & 3.

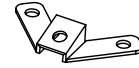
2.Lay down left & right narrow sliding doors (E & F) on the short base sliding rails (K) and fix stoppers (AO) as shown in fig.1 & 2 & 3.

R



x 1

AD

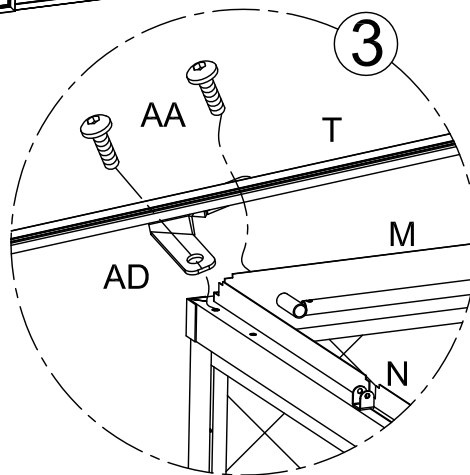
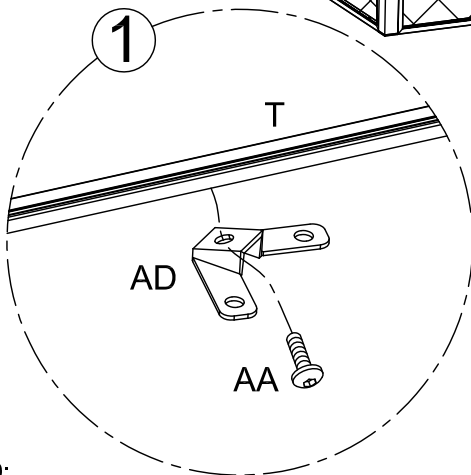
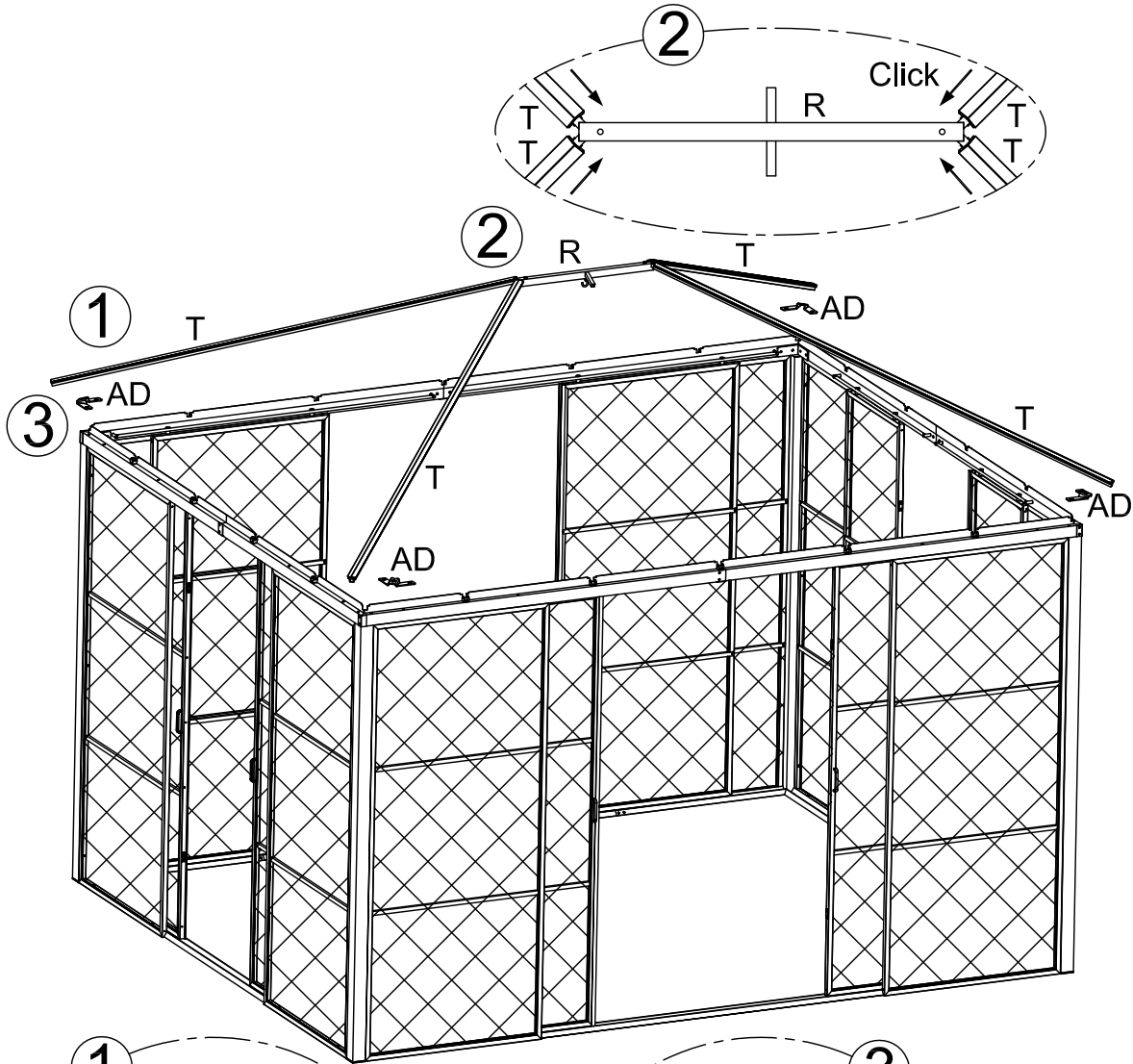


x 4

T



x 4



Step 9:

1. Insert bolts (AA) through corner connectors (AD), secure with lower section of corner roof tubes (T) as fig.1 shown.
 2. As shown, Join corner roof tubes (T) to roof connector (R). Just push tubes until spring pins makes a "Click" sound.
 3. Then, secure corner roof tubes (T) on the four corners of crossbars sets by using bolts (AA) as shown in fig.3.
- Bolts can be tight.**

S

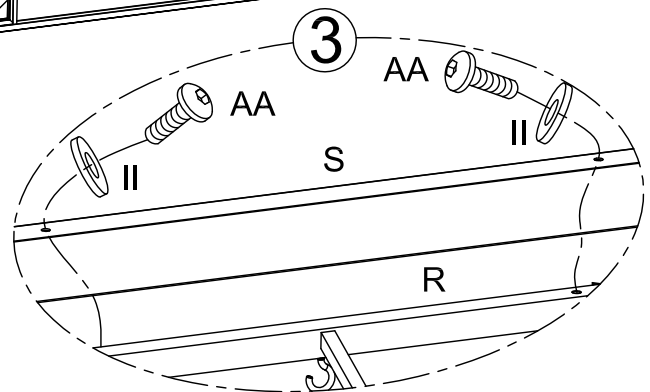
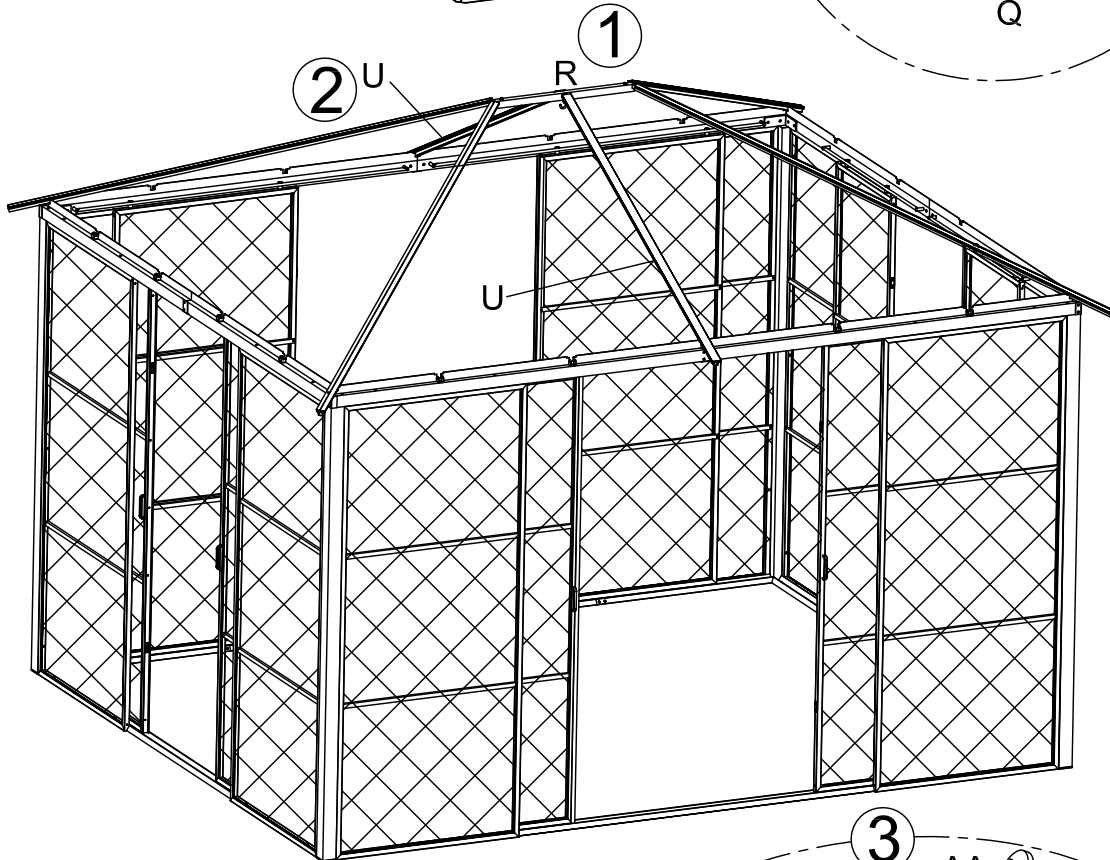
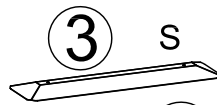
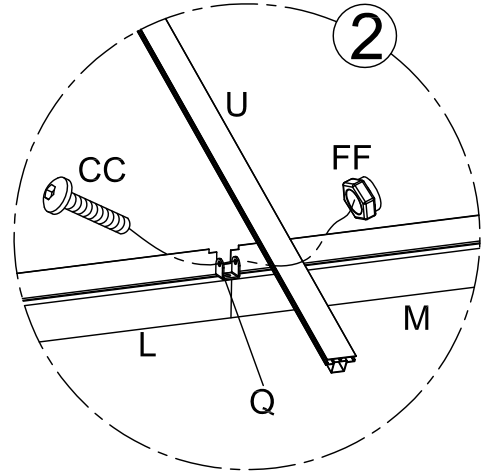
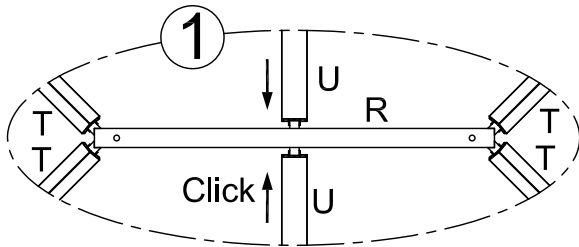


x1

U



x2

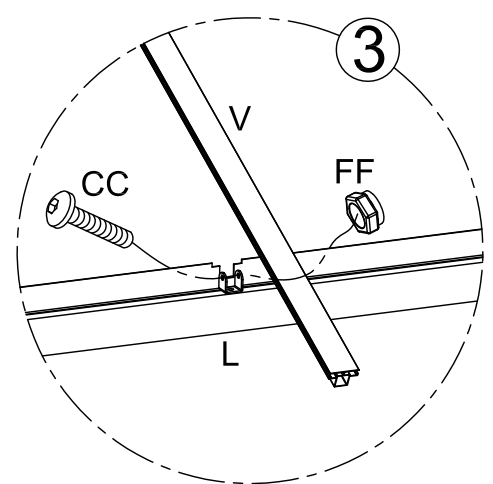
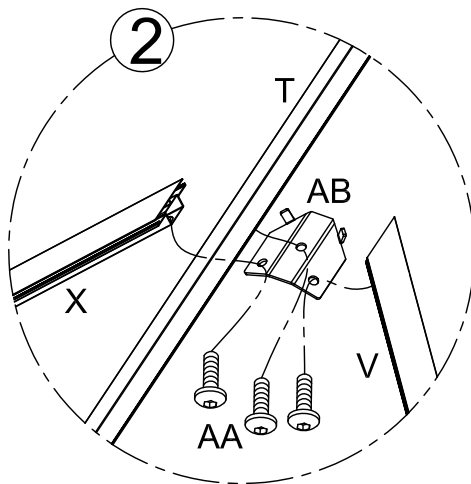
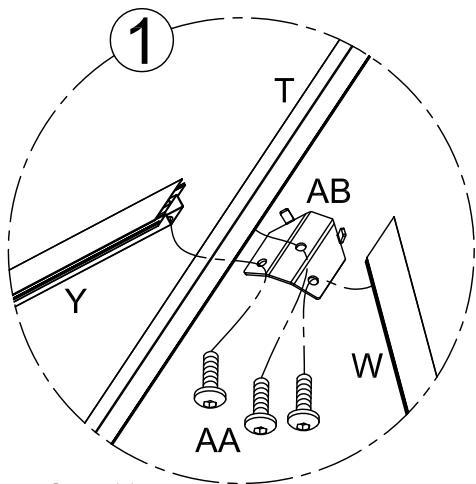
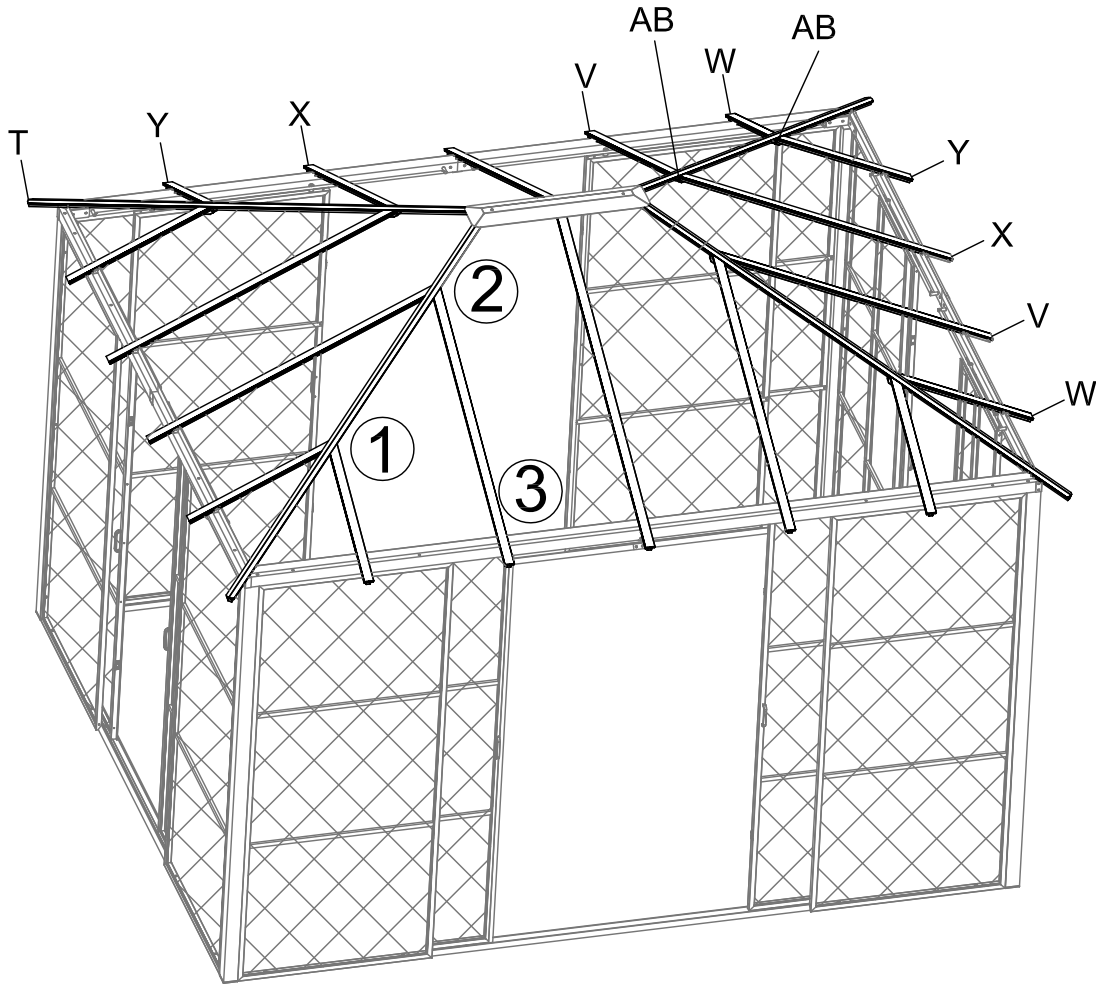
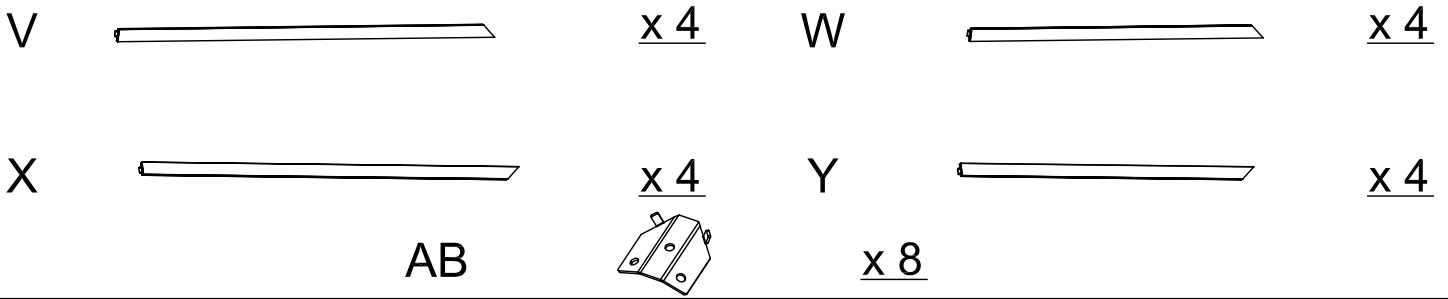


Step 10.

1.As shown, Join roof tubes (U) to roof connector (R). Just push tubes until spring pins makes a "Click" sound.

2.Secure end section of roof tubes (U) to the crossbars sets by means of tip connectors (Q) using bolts (CC) and nuts (FF) as shown in fig.2. **Do not tight bolts completely yet.**

3.Insert bolts (AA) through plastic washers (II) and roof cap (S), secure with the roof connector (R) as fig. 3 shown.



Step 11.

1. Secure brackets (AB) and roof tubes (Y & W) to the corner roof tubes (T) by using bolts (AA) as fig.1 shown. Then secure other end of roof tubes (Y & W) to the crossbars sets by means of tip connectors (Q) by using bolts (CC) and nuts (FF) as shown in fig.3. **Do not tight bolts completely yet.**

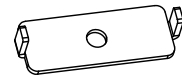
2. Secure brackets (AB) and roof tubes (X & V) to the corner roof tubes (T) by using bolts (AA) as fig.2 shown. Then, secure other end of roof tubes (X & V) to the crossbars sets by means of tip connectors (Q) by using bolts (CC) and nuts (FF) as shown in fig.3. **Do not tight bolts completely yet.**

Z

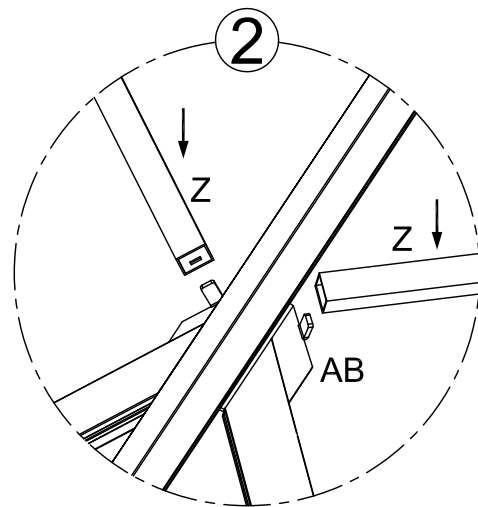
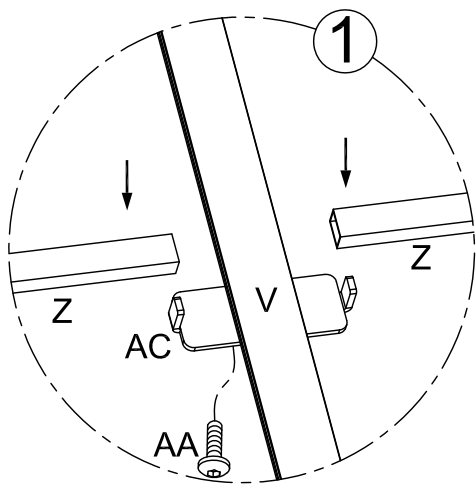
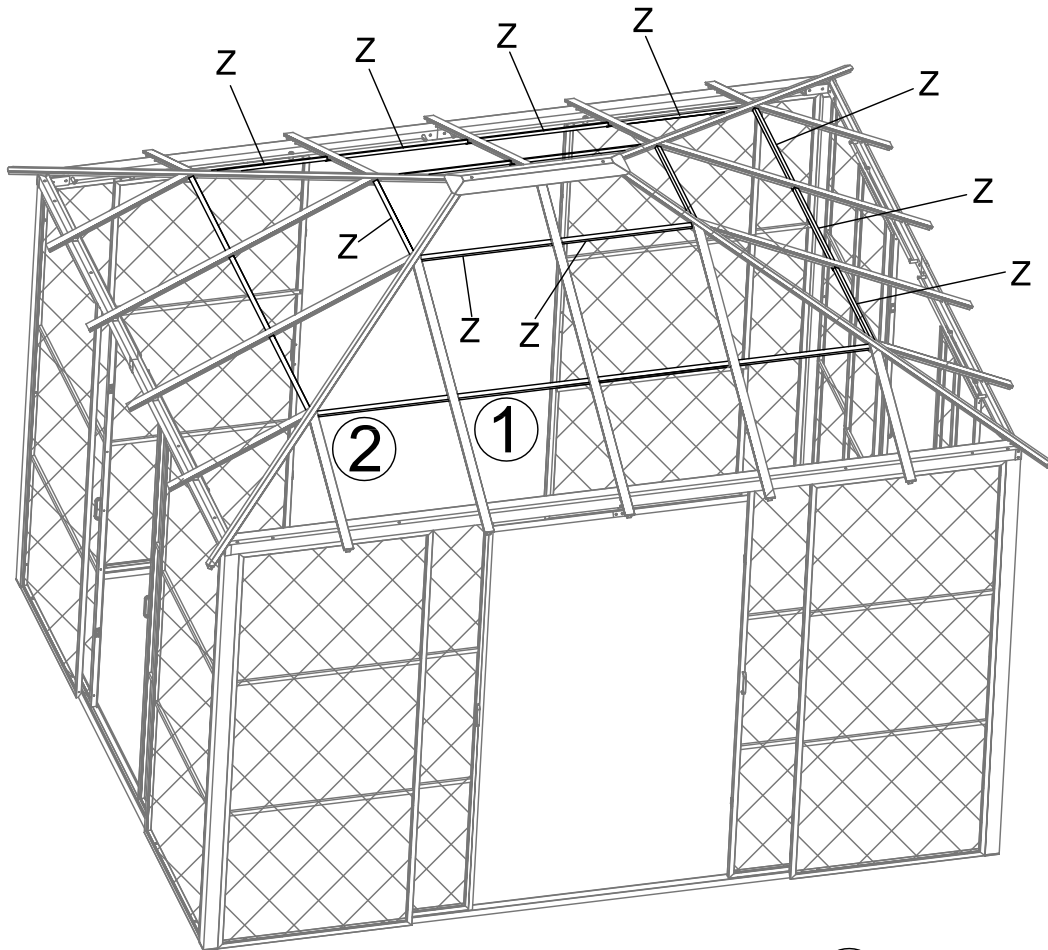


x 20

AC



x 12

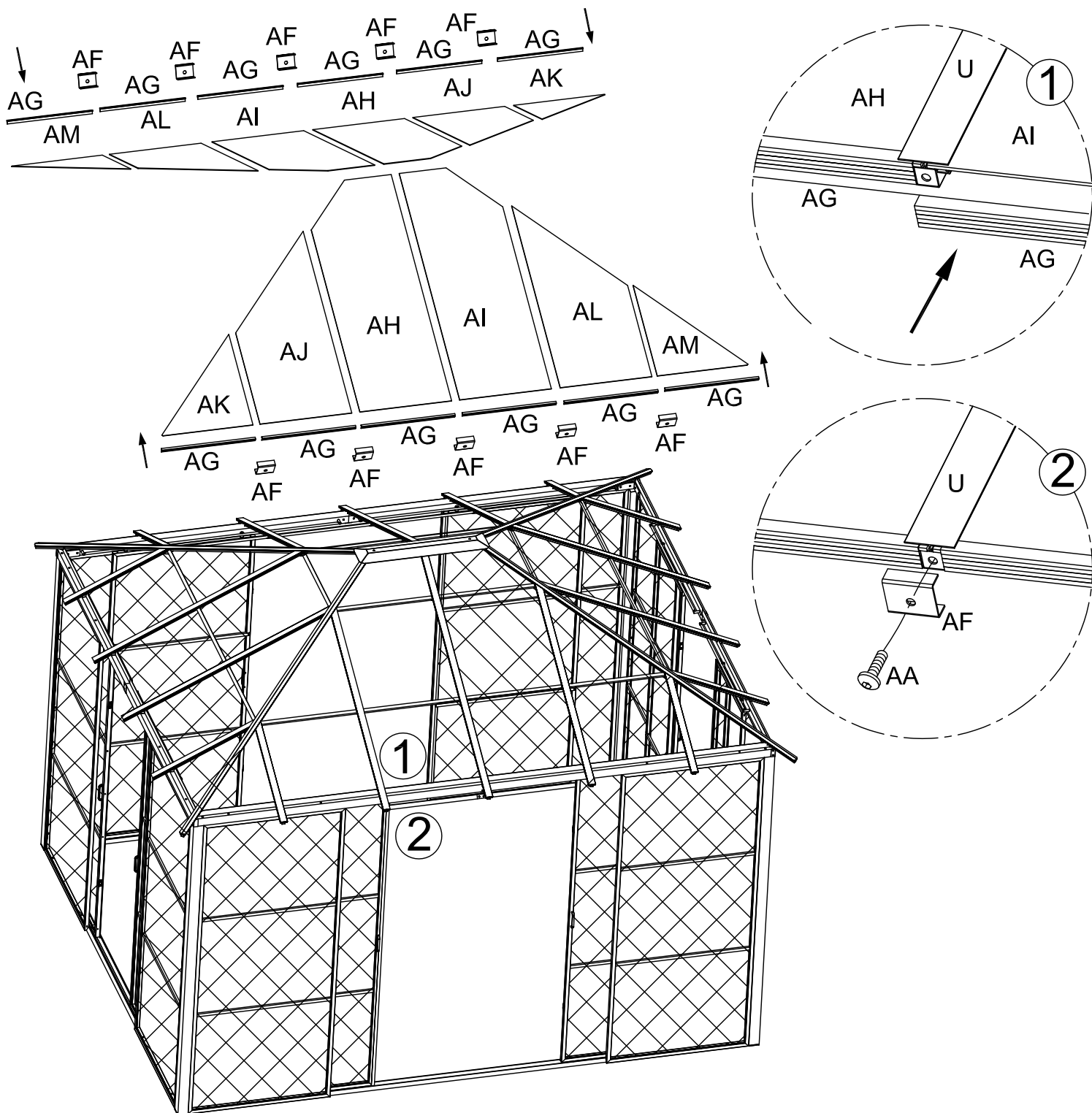


Step 12.

As shown, secure brackets (AC) to the roof tubes (Y & W & X & V) by using bolts (AA), Then insert roof support tubes (Z) on pins of brackets (AC & AB).

**Fixing the roof panels:
To avoid roof panels
to slide down, follow
successively these 3
steps for each panel.**

AH		x 2	AI		x 2
AJ		x 2	AK		x 2
AL		x 2	AM		x 2
AF		x10	AG		x 12



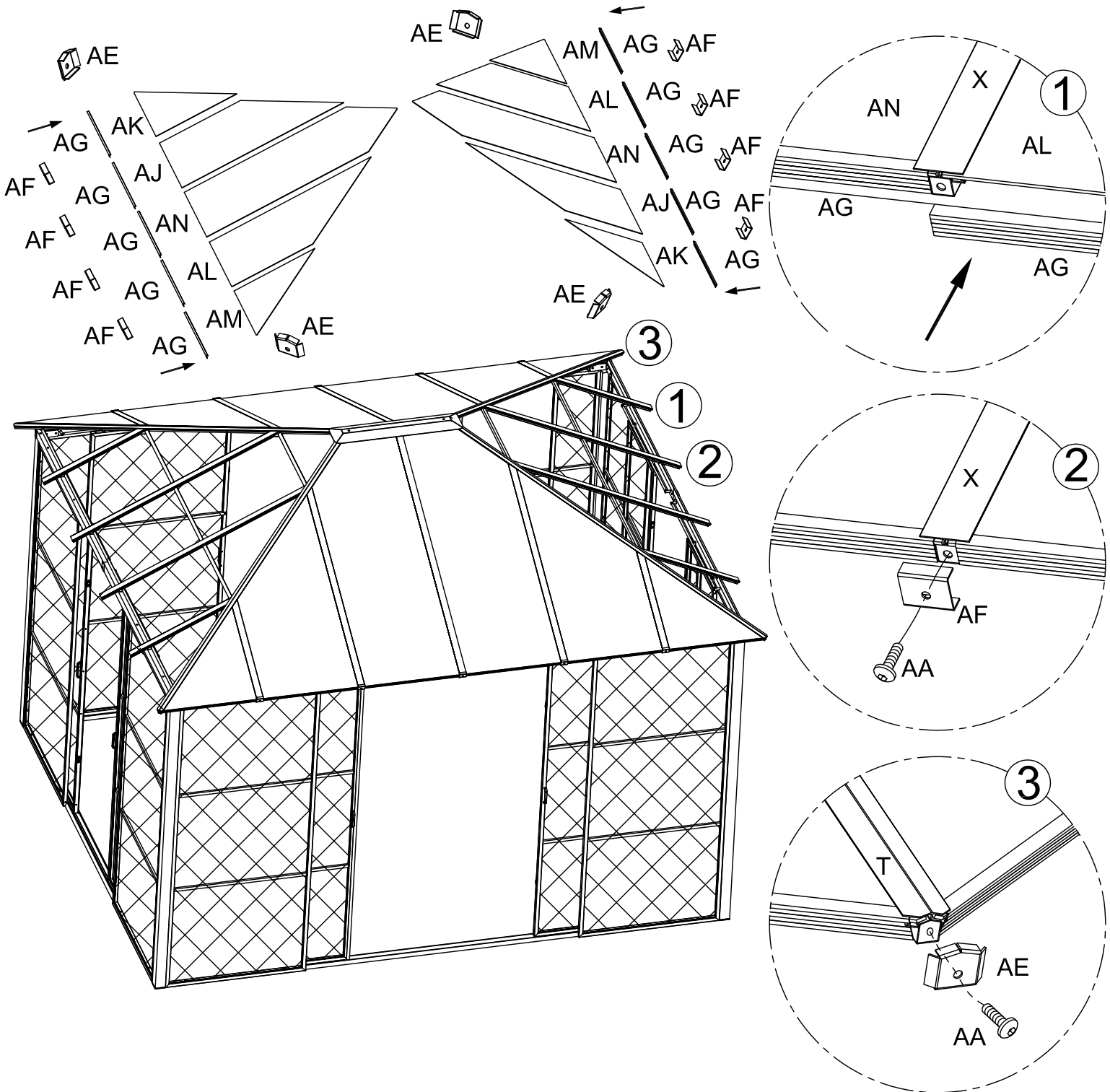
Step 13.

1. Insert roof panels (AH), (AI), (AJ), (AL), (AK) and (AM) into the grooves of roof tubes (T), (U), (V), (X), (Y) and (W).

2. As illustrated, insert roof edges (AG) at the ends of roof panels.

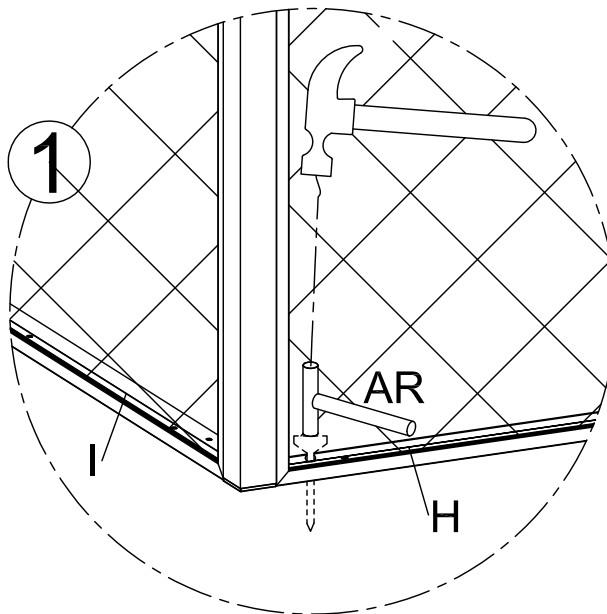
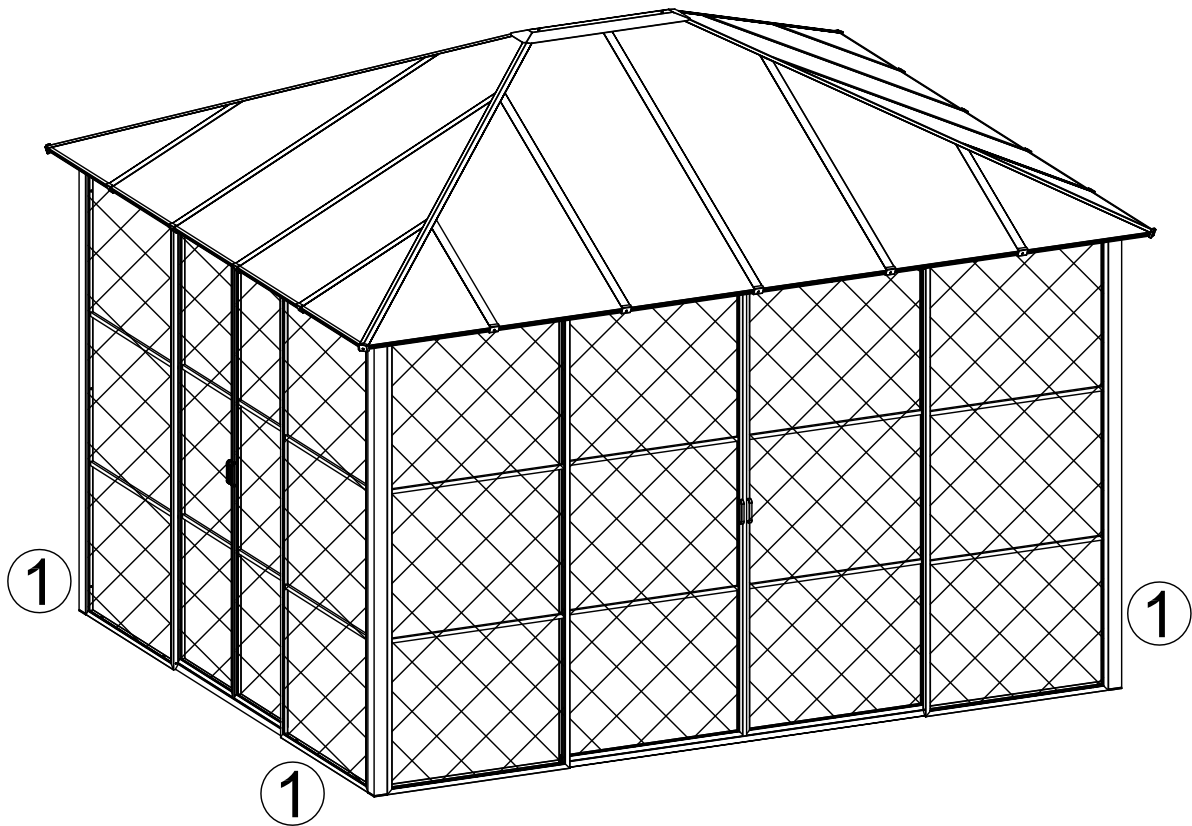
3. Then, fix the center mouldings (AF) by using bolts (AA). **Since fixing is done in plastic inserts, a gentle tightening is the best.**

AJ		x 2	AK		x 2
AL		x 2	AM		x 2
AN		x 2	AE		x 4
AF		x 8	AG		x 10



Step 14.

1. Insert roof panels (AN), (AJ), (AL), (AK) and (AM) into the grooves of roof tubes (T), (V), (X), (Y) and (W).
2. As illustrated, insert roof edges (AG) at the ends of roof panels.
3. Then, fix the center mouldings (AF) and corner mouldings (AE) by using bolts (AA). **Since fixing is done in plastic inserts, a gentle tightening is the best.**



Step 15.

1. Depend of patio surface, use proper anchoring devices. Anchors are not supplied.

Secure anchors. Note: To avoid base sliding rails damage, please use the locator tool (AR) as shown in fig.1.

2. Remove all gazebo assembly stickers.

3. Final tightening of all remaining untight bolts.

4. Please ensure posts and grounds are perpendiculars wick each other once the unit is assembled.

Enjoy your leisure time with the gazebo.