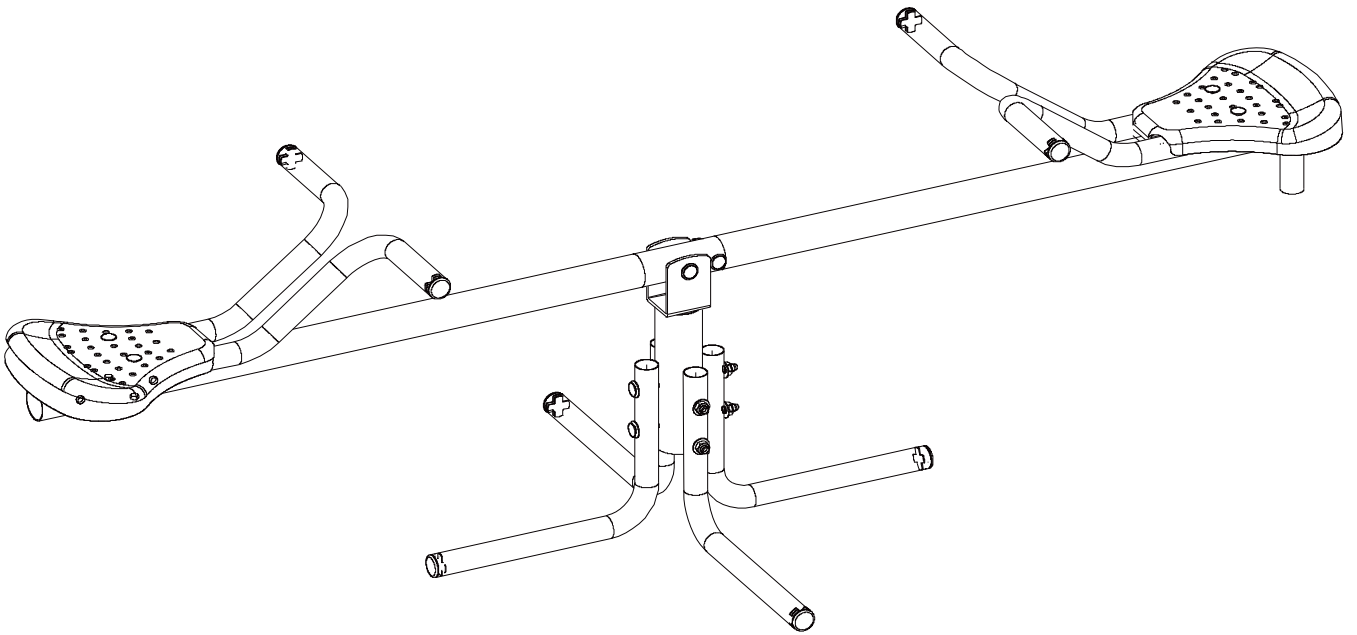


JUNIOR TEETER TOTTER

USER AND ASSEMBLY MANUAL



Tips : It will take 2 people around 45 mins to assemble this product.



WARNINGS!

- Improper use of this product can result in injury.
- Read instructions before assembly or product use. Keep instructions for future reference.
- Always inspect product before use and check for worn, defective or missing parts.
- Suitable for children ages 3-8 years. Max user weight 30 kg (66 lbs) per seat. No more than 1 child per seat.
- Do not stand on the teeter totter.
- Adult assembly and supervision required.
- Only for outdoor and domestic use.

Save this instruction manual for future reference

For Customer Service, please call 1-866-632-1718 or visit www.partsnservice.com
Monday – Friday 9:00 AM – 5:00 PM Eastern Time

Sportspower Ltd
Level 20, Parkview Centre 7 Lau Li Street, Causeway Bay, Hong Kong

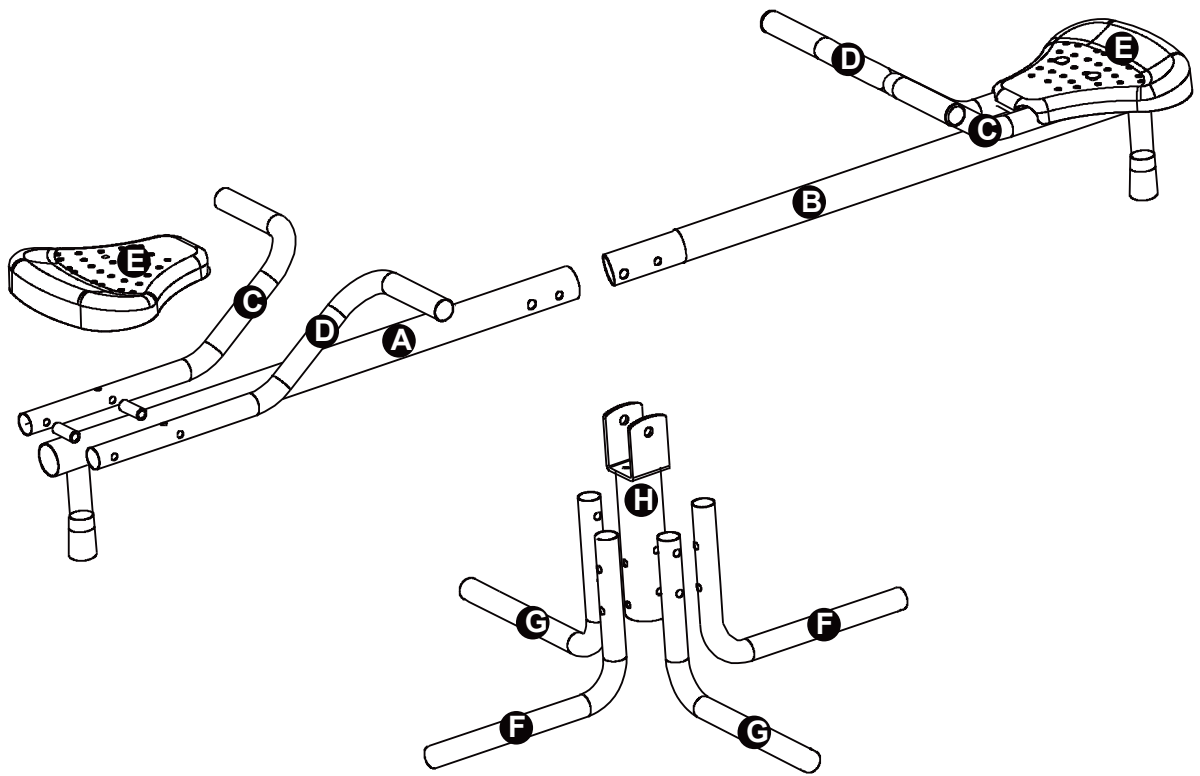
Before you start...

- We suggest you spend some time reading this guide before following the simple step-by-step assembly instructions.
- Do not discard any of the packaging until you have checked that all parts and hardware are included. When discarding the packaging, please consider others and the environment.
- When assembling this product be aware of the safety of yourself and others.
- Because of the size of this product we suggest that you assemble it in the area intended for use.
- Some assembly steps will be easier with two people. Seek assistance when lifting large or heavy items.
- Assemble this product on a clean, flat and level surface e.g. the cardboard packaging.
- Keep any tools provided or spare fittings for future use. Only use the tools specified.
- Tighten all parts by hand first before tightening again with tools.
- Consider where the product is placed in relation to the sun to avoid overexposure to the heat, which may cause hazard such as dizziness.

Your product is warranted against defects in material and workmanship. Extended warranty is also offered to those customers registering their products at www.sportspowerltd.net within 14 days from the date of purchase. Please refer to our warranty policy at the back of this manual for details.

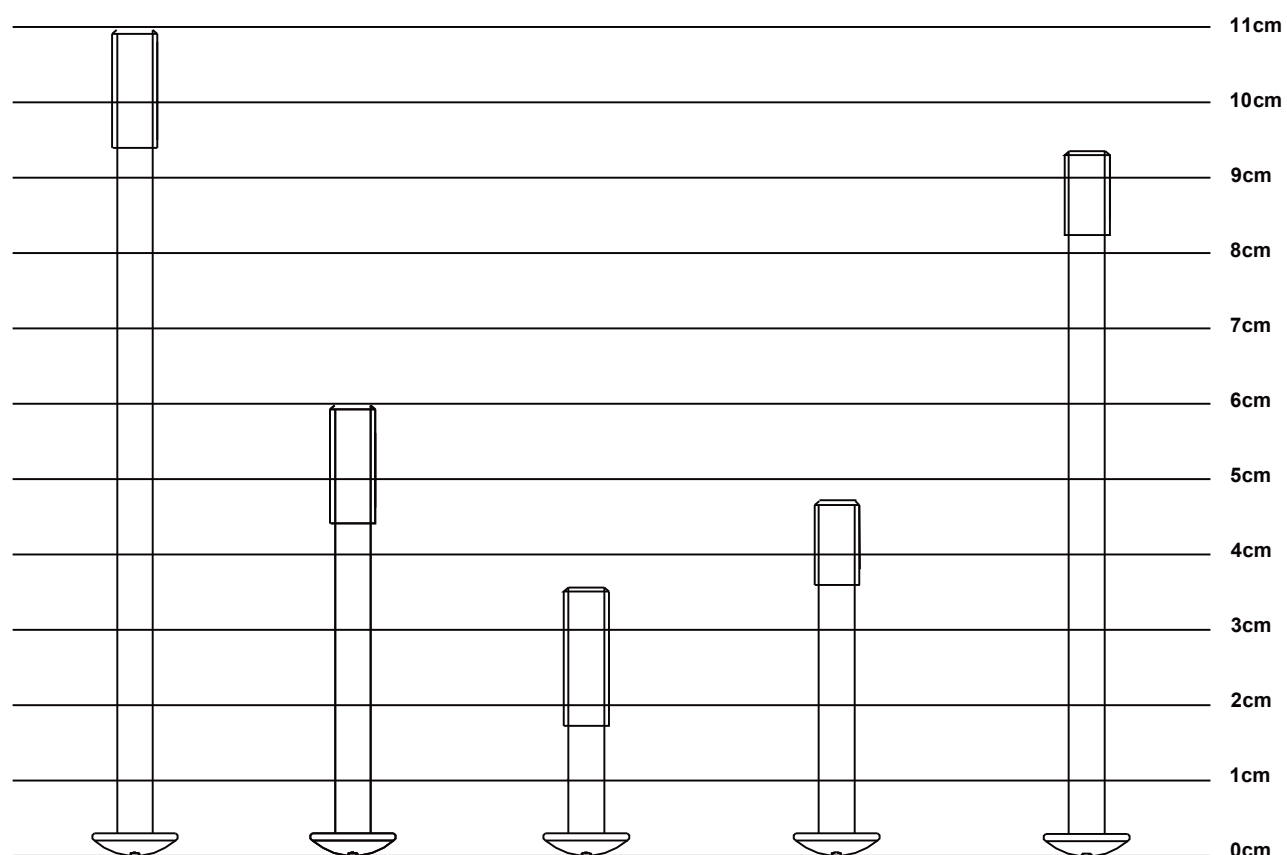
If you experience any problems with your product, do not return to the store. For customer service, please call 1-866-632-1718 Monday-Friday 9:00am-5:00pm Eastern Time. If you are unable to reach us at this number for any reason, please visit www.partsnservice.com

contents

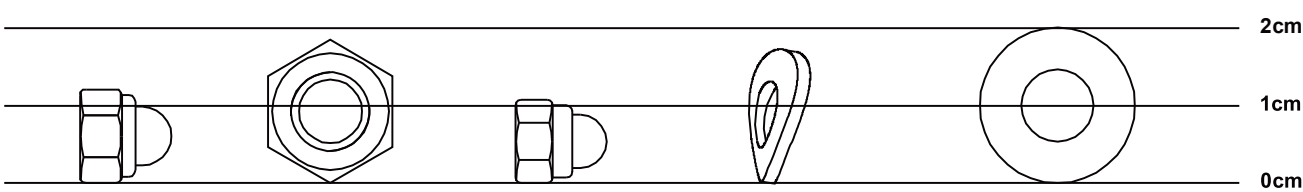


| NO. | PART LIST | QTY |
|------------|------------------|------------|
| A | TOP BAR | 1 |
| B | TOP BAR | 1 |
| C | SEAT TUBE | 2 |
| D | SEAT TUBE | 2 |
| E | SEAT | 2 |
| F | LEG | 2 |
| G | LEG | 2 |
| H | SUPPORT TUBE | 1 |

contents

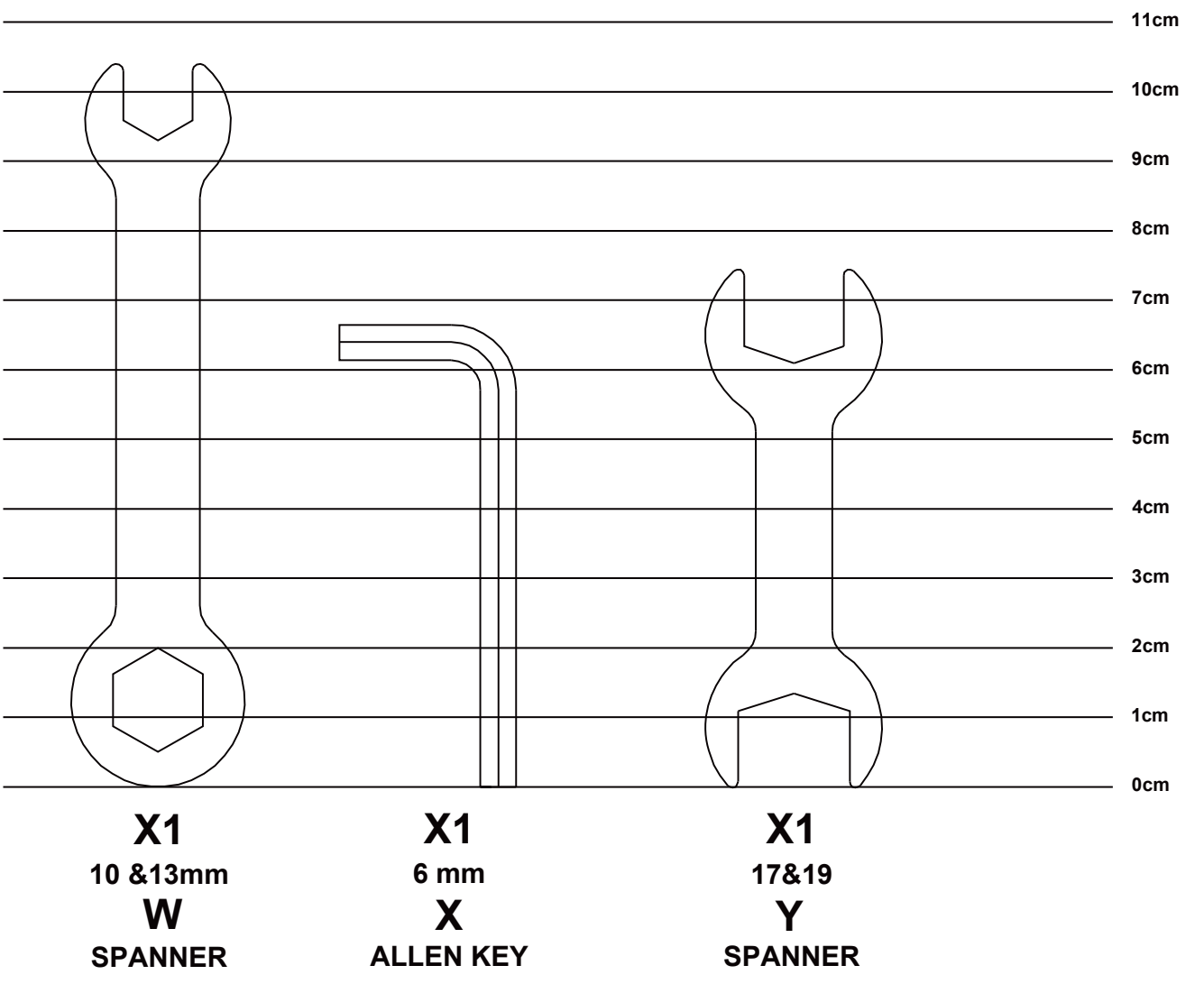
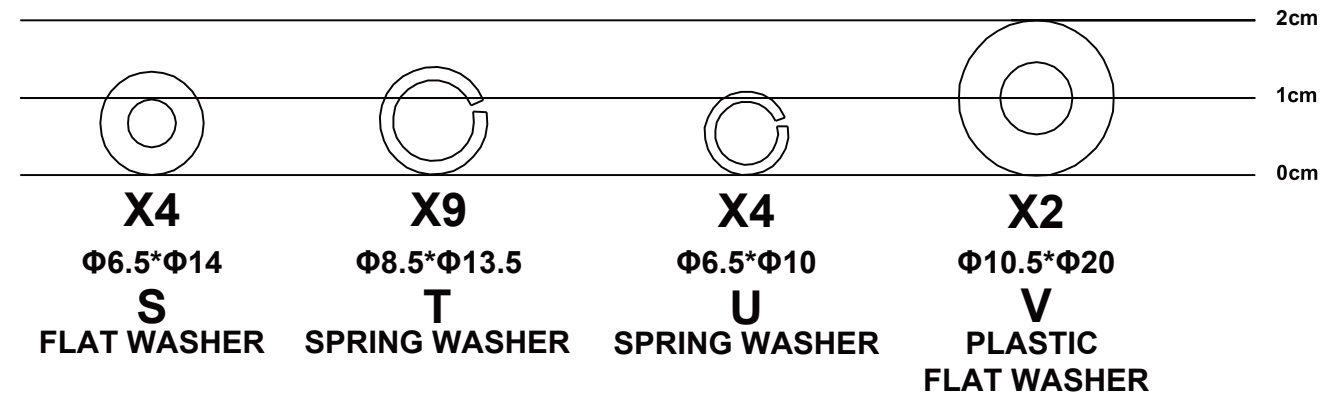


| | | | | |
|---|---|--|--|--|
| X4 M8×110mm I BOLT | X1 M10×60mm J BOLT | X4 M6×36mm K BOLT | X1 M8×50mm L BOLT | X4 M8×94mm M BOLT |
|---|---|--|--|--|

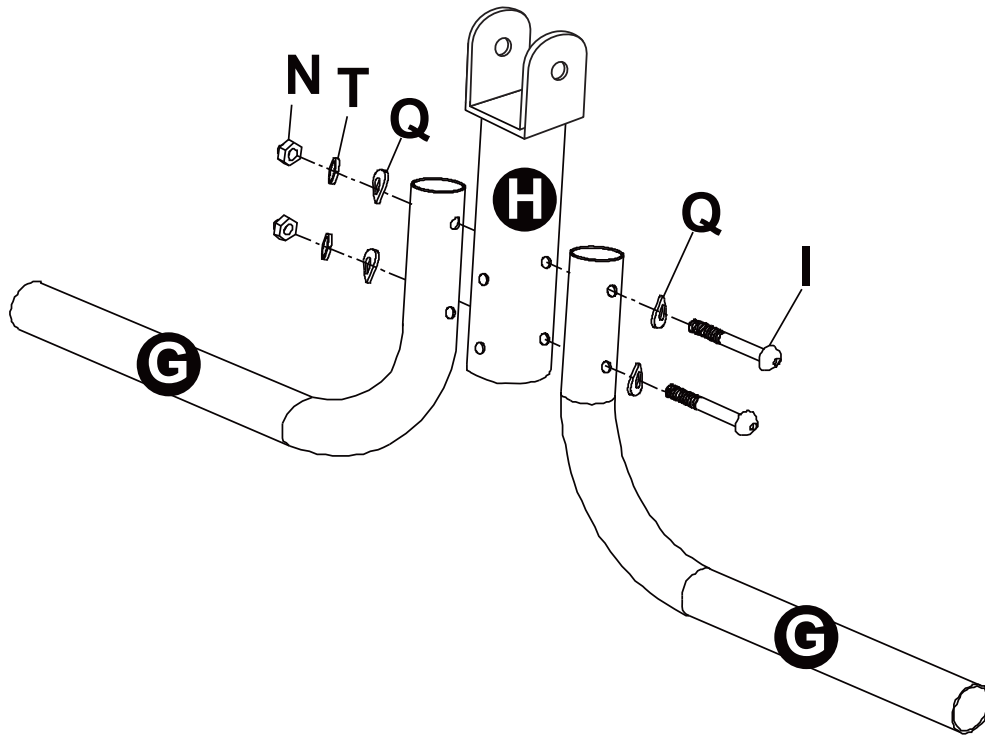







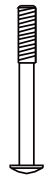
| | | | | |
|--|---|--|--|---|
| X9 M8 N CAP NUT | X1 M10 O CAP NUT | X4 M6 P CAP NUT | X18 Φ8.5*Φ19 Q ARC WASHER | X2 Φ10.5*Φ20 R FLAT WASHER |
|--|---|--|--|---|

contents

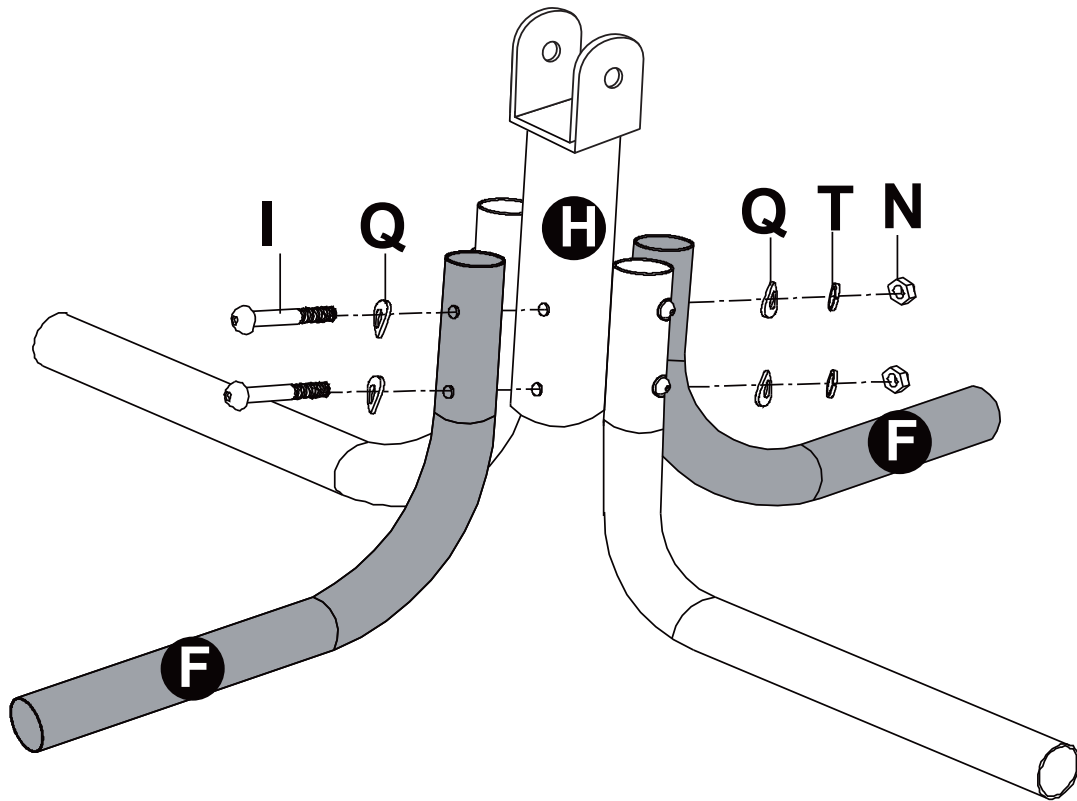







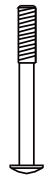
step 1



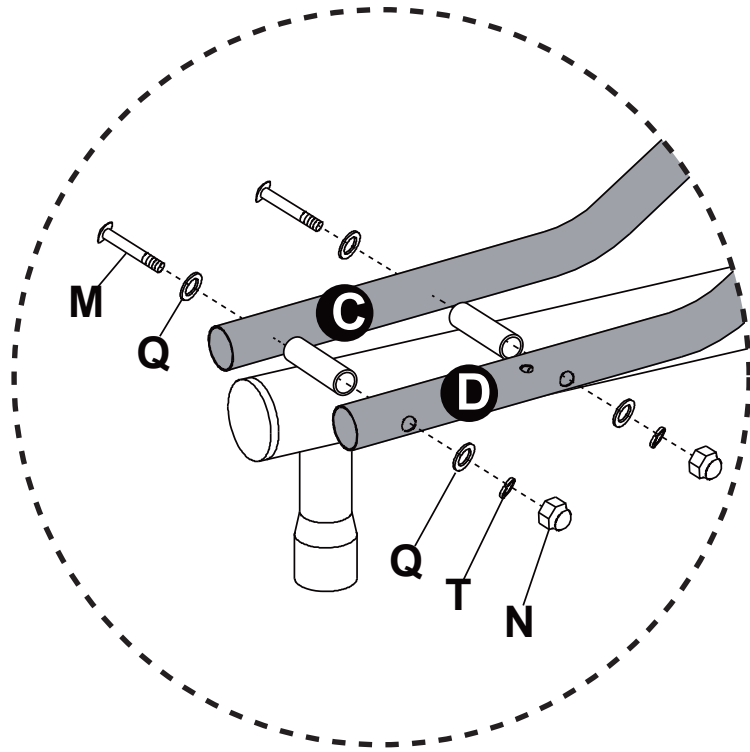
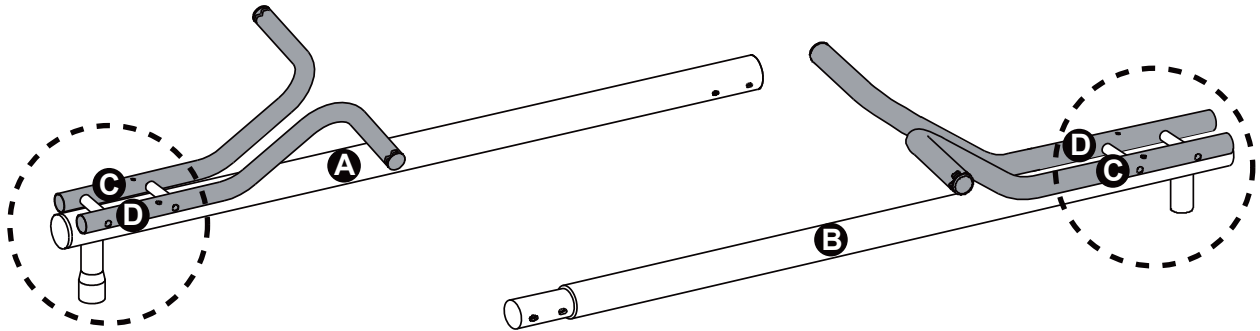
| | | | | | |
|---|---|---|---|---|---|
|  |  |  |  |  |  |
| x1 | x1 | x2 | x2 | x4 | x2 |
| W | X | N | T | Q | I |






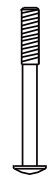
step 2



| | | | | | |
|---|---|---|---|---|---|
|  |  |  |  |  |  |
| x1 | x1 | x2 | x2 | x4 | x2 |
| W | X | N | T | Q | I |

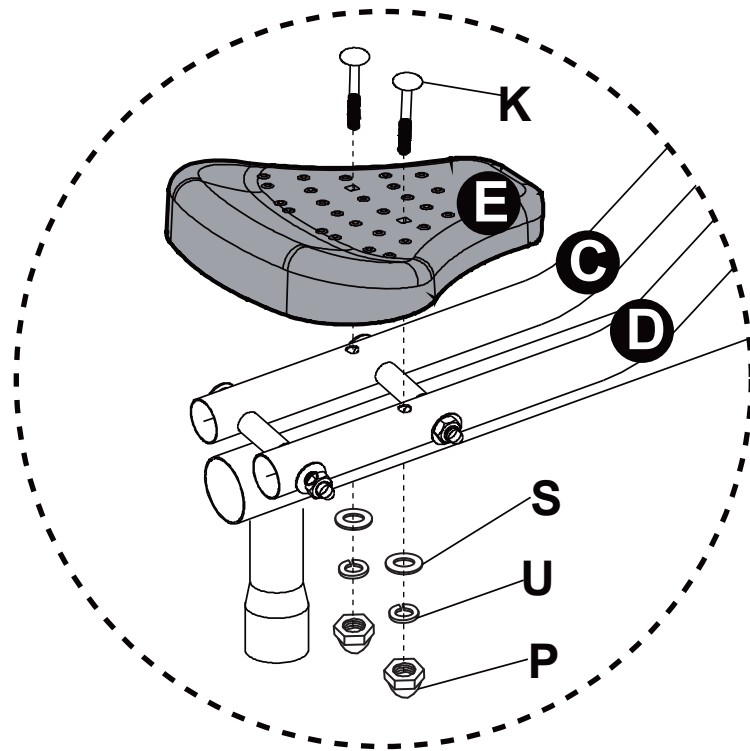
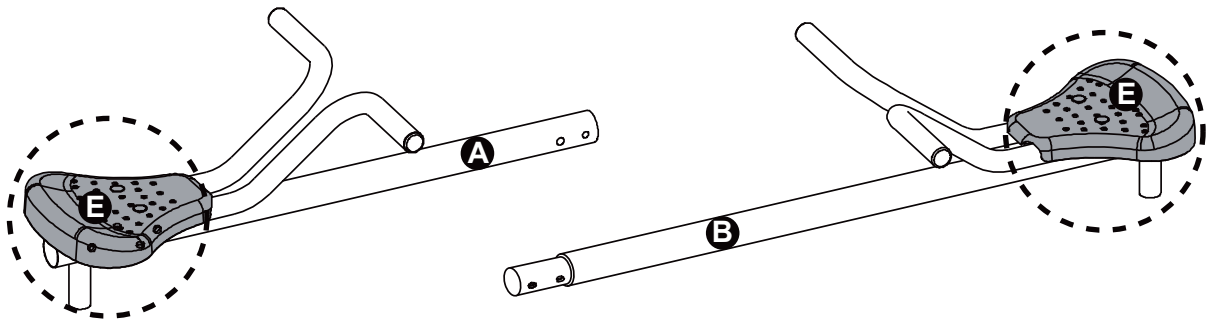
step 3

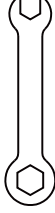






| | | | | | |
|---|---|---|---|---|---|
|  |  |  |  |  |  |
| x1 | x1 | x4 | x4 | x8 | x4 |
| W | X | N | T | Q | M |

assembly

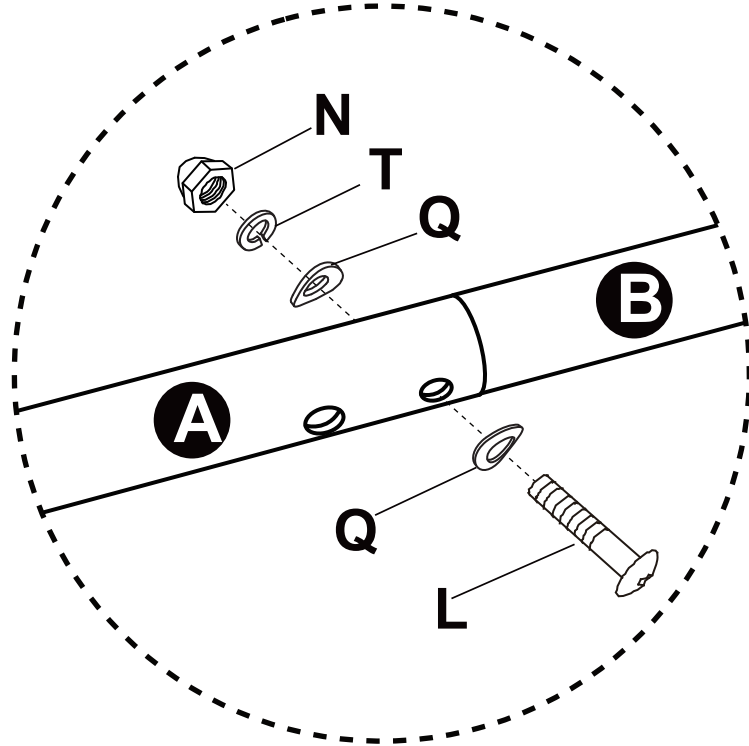
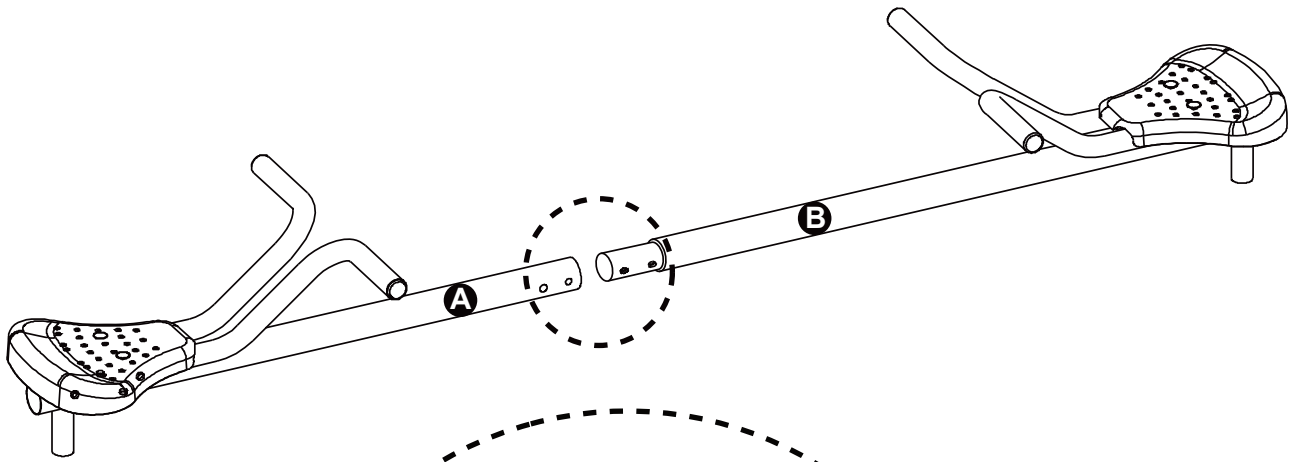
step 4






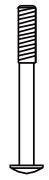


| | | | | |
|---|--|---|---|---|
|  |  |  |  |  |
| x1 | x4 | x4 | x4 | x4 |
| W | P | U | S | K |

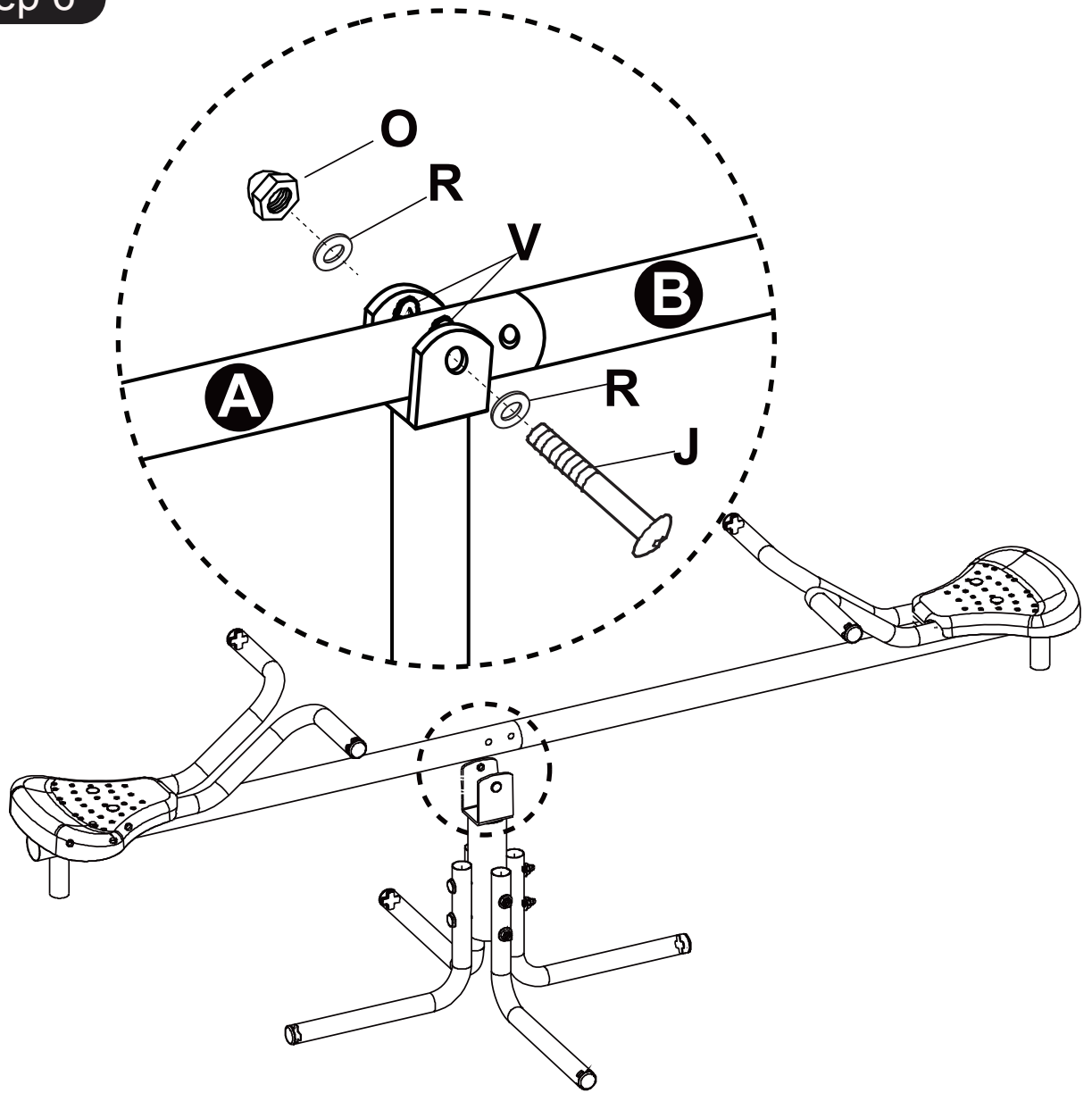
assembly



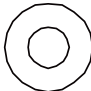



step 5



| | | | | | |
|---|---|---|---|---|---|
|  |  |  |  |  |  |
| x1 | x1 | x1 | x1 | x2 | x1 |
| W | X | N | T | Q | L |

step 6



| | | | | | |
|---|---|--|---|---|---|
|  |  |  |  |  |  |
| x1 | x1 | x2 | x1 | x2 | x1 |
| Y | X | V | O | R | J |



Warning

- NOT suitable for children under 36 months. Small parts choking hazard.
- Avoid children facing the sun whilst using the equipment to avoid hazards, such as dizziness.
- Adult supervision is required at all times. Never leave children unattended.
- Product MUST be assembled and checked by an adult.
- This product is only intended for outdoor and domestic use.
- Only one child per ride seat at any one time.
- Age recommendation for this product is 3-8 years.
- Max. user weight for each see saw seat is 30 kg.
- DO NOT stand on see saw seat.
- Product must be assembled and used on a flat and level surface at least 2 metres (7.5 feet) from any structures or obstructions such as fences, walls , garden borders, washing lines, electrical cables.
- Ensure the product is installed over a soft surface, such as grass or sand, or wood bark which should have a depth of minimum 15 cm (6 inches). Installation area should be regularly checked and any shock absorbing materials replenished to maintain a correct depth regarded suitable for the product otherwise injuries may occur from a fall.
- DO NOT install the unit over concrete, asphalt, gravel or any hard surface which may cause injury should a fall occur.
- DO NOT allow children to use the product until it has been properly assembled and checked by an adult.
- Ensure children wear suitable clothing whilst using the product. Do not allow loose clothing, clothing with draw - strings, jewellery or any article of clothing that might be potentially hazardous whilst using the product.
- DO NOT let children use this equipment in any manner other than the correct intended use.
- DO NOT allow children to dis-mount the see saw whilst still moving.
- DO NOT allow children to wander into the play area when the product is in use.
- DO NOT allow children to climb or play on the product whilst the product is wet as slips or falls may occur
- DO NOT attach items to the product that are not specifically designed for use with the product; such as, but not limited to, cables, skipping ropes, nursery swing seats as they may cause injury.
- Remove and dispose of all packaging materials before the product is used.
- Once assembly is complete carefully check the equipment before use to ensure all parts are correctly assembled. Check all nuts and bolts are tightened. If you find any problems do not allow children to use the product until it is fit for use.
- Check all parts of the product at regular intervals. If you find any problems do not allow children to use the product until it is fit for use. If these checks are not carried out the product could over-turn or otherwise become a hazard.

- Check metal sections and components for signs of corrosion.
- Discontinue use if any weakening or breakage is found.
- The product has maintenance instructions highlighting the need to carry out checks and maintenance of the main parts at regular intervals. Whenever practical ,the maintenance instructions shall also be affixed to the toy.
- Please retain these instructions for future reference.
- Teach children to use the product correctly and sit in the centre of ride seats whilst in use.

TIGHTENING NUTS & BOLTS

- At the start of assembling DO NOT FULLY tighten bolts / nuts all the way so as to allow some possible adjustment for ease of assembly.
- DO NOT use pliers to tighten up screws as they can cause damage to paintwork and nuts and bolts.
- After all major components are assembled go back over all bolts and nuts and properly tighten all before using the product.



Maintenance

- Carry out checks and maintenance of the main frame parts- cross beam, anchors, nuts, bolts and rides before each play session and at least every two weeks.
- Check all nuts, bolts and fittings for tightness and tighten if required.
- Check unit for sharp edges which may have occurred during shipping, assembly, abuse or everyday usage. Replace if required.
- Check see saw for any evidence of deterioration, cracks or exposed edges which could cause injury.
- Oil all metallic moving parts.
- To help maintain the products appearance, occasionally clean the seats and metal framework with a damp cloth lightly – but do not use abrasive chemical cleaners.
- When you wish to disassemble or dispose of the product please completely disassemble the unit and discard of it in a safe place and manner so as not to present any hazard to any individual.

PRODUCT WARRANTY

Sportspower Ltd warrants its products to be free from defects in material and workmanship under normal use and service conditions for ninety (90) days after the date of purchase. Extended warranty from 90 to 180 days will be offered to those customers registering their products at www.sportspowerltd.net within 14 days from the date of purchase. The frame is warranted for 12 months after the date of purchase.

This warranty coverage extends only to the original purchaser with a receipt and is non-transferable. All products for which a warranty claim is made must be received by SPORTSPOWER'S authorized service center, freight prepaid, and accompanied by sufficient proof of purchase during the warranty period.

This limited warranty does not cover our products which: fail due to (1) normal wear; (2) abuse and neglect; (3) improper maintenance; (4) unauthorized repairs or alterations or (5) are used for commercial or other income producing purposes or (6) accidents and misuse.

All warranty repairs must be authorized by SPORTSPOWER Customer Service before repairs are made.

IMPORTANT: A missing part is not considered the same thing as a defective part or unit. If a part is missing, there is no need to return the entire unit to the store. In order to obtain fast replacement parts or service as provided by this warranty, please call the number below. Proof of purchase required.

For Customer Service, please call 1-866-632-1718 or visit www.partsnservice.com

Monday - Friday 9:00 AM - 5:00 PM Eastern Time

Sportspower Ltd.

Level 20, Parkview Centre, 7 Lau Li Street, Causeway Bay, Hong Kong