

Pro 3.0 Series



WARNING: Excessive weight hazard!

Use two or more people to move, assemble, or install cabinets and locker to avoid back injury. Do not leave children unattended near cabinets. High risk of tipping if cabinets are installed incorrectly: securely attach cabinets to the wall to avoid serious injury.

For assistance, call 1.877.306.8930; for U.K 0800.031.4069; e-mail at info@newageproducts.com.



ATTENTION:

Is your cabinet damaged?

Need help or spare parts? For fastest service, contact NewAge Products at 1-877-306-8930; for U.K 0800-031-4069 or support@newageproducts.com.

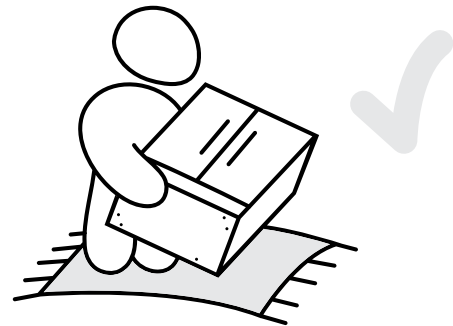
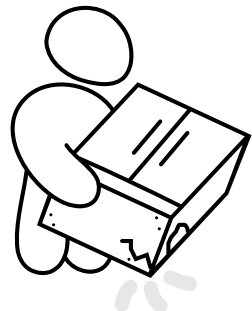
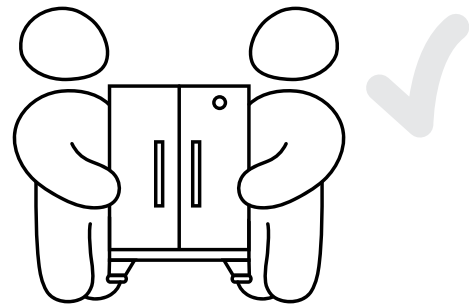
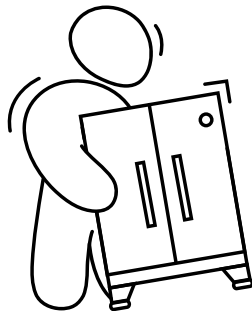
Do not return to the retailer.

INDEX

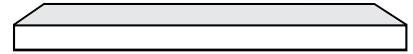
| | |
|--------------------------------------|--|
| Index - 2 | Installing worktop support bracket - 11 |
| Guidelines and weight capacity - 2-3 | Attaching worktop(on 2 cabinets) - 12 |
| Parts list - 4 | Installing closet rod -13 |
| Tools needed - 5 | Installing shelves - 14 |
| Warranty - 5 | Securing cabinets to drywall/stud wall -15 |
| Attaching feet - 6 | Hanging cabinets on stud wall - 16-19 |
| Attaching casters - 7 | Hanging cabinets on slatwall - 20-21 |
| Removing and inserting drawers - 8 | Fastening cabinets together - 22 |
| Installing corner cabinet - 9 | Attaching light valance - 23 |
| Stacking cabinets - 10 | Utility hole - 24 |

Unpacking

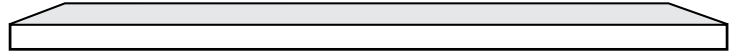
- Begin by placing the package on a covered flat surface.
- Remove all cardboard, foam packaging material and clear plastic bags.
- Dispose / recycle all packaging materials.
- Verify all the contents in the box and gather the required tools. See "Parts Supplied" and "Tools Needed" on pages 4 and 5



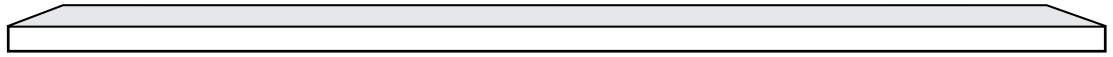
Worktop



24" Corner Worktop

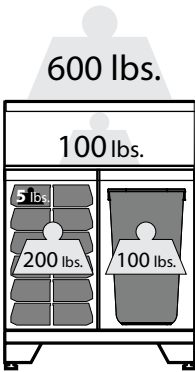


56" Worktop. Fits over 2 Cabinets

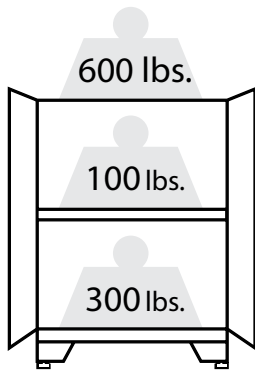


84" Worktop. Fits over 3 Cabinets

Weight Capacity



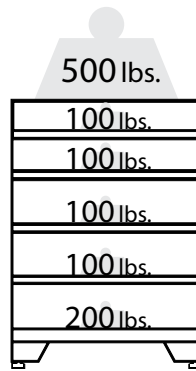
Split Cabinets
Max 1000 lbs.



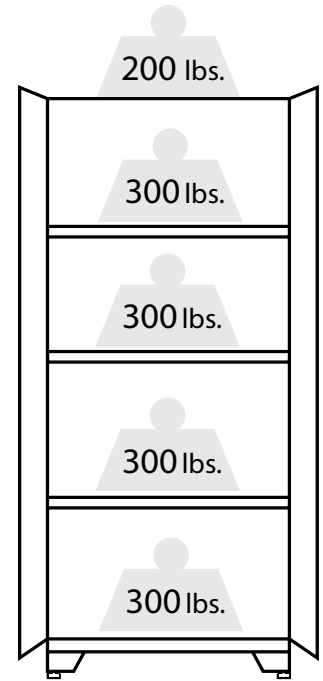
Base Cabinets
Max 1000 lbs.



Wall Cabinets
Max 200 lbs.



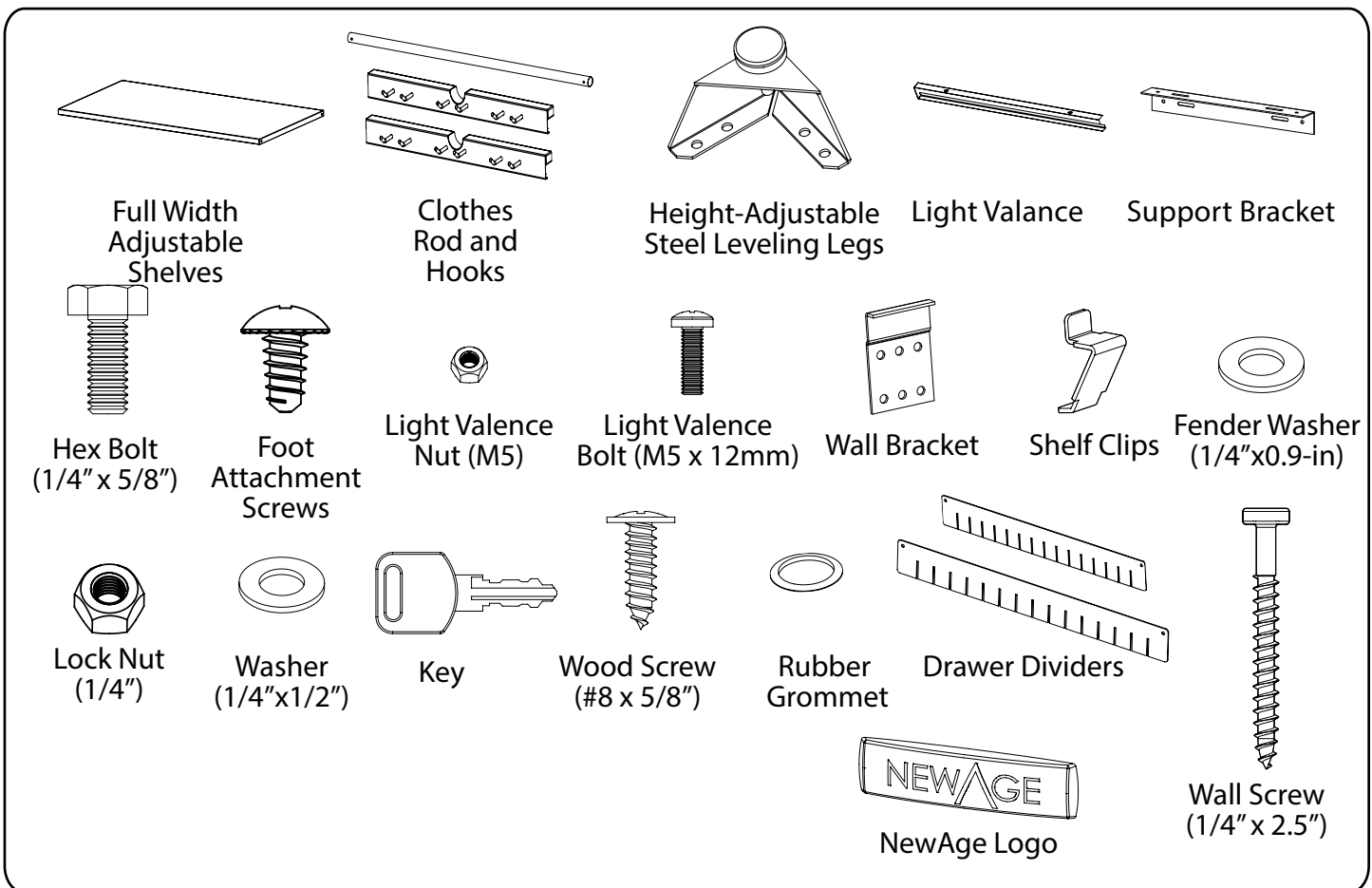
Tool Cabinets
Max 1000 lbs.



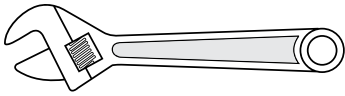
Lockers
Max 1000 lbs.

Parts Supplied

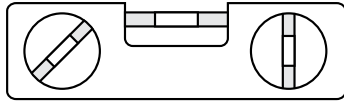
| | Multi-use Locker | Sports Locker | Two-Door Base | Five-Drawer Tool | Multifunction | Wall | Corner Wall |
|--|------------------|---------------|---------------|------------------|---------------|------|-------------|
| Hardware Box | 1 | 1 | 1 | 1 | 1 | 1 | 1 |
| #8 x 5/8" Wood Screw | 2 | 2 | 4 | 4 | 4 | 0 | 4 |
| 1/4" x 0.9" Fender Washer | 4 | 4 | 4 | 4 | 4 | 4 | 6 |
| 1/4" ID x 1/2" OD Washer | 26 | 26 | 12 | 12 | 12 | 12 | 22 |
| 1/4" Lock Nut | 10 | 10 | 4 | 4 | 4 | 4 | 4 |
| 1/4" x 2.5" Wall Screw | 8 | 8 | 8 | 8 | 8 | 8 | 12 |
| 1/4"-20 x 5/8" Hex Bolts | 10 | 10 | 4 | 4 | 4 | 4 | 8 |
| Light Valence Bolts | 0 | 0 | 0 | 0 | 0 | 2 | 2 |
| Light Valence Nuts | 0 | 0 | 0 | 0 | 0 | 2 | 2 |
| Plastic Hole Caps | 16 | 16 | 0 | 0 | 0 | 8 | 0 |
| Power Cord Hole Rubber Grommet | 1 | 1 | 1 | 0 | 0 | 0 | 0 |
| Shelf Clips | 24 | 24 | 0 | 0 | 0 | 6 | 0 |
| Keys | 2 | 2 | 2 | 2 | 2 | 2 | 2 |
| Foot Attachment Screws | 16 | 16 | 16 | 16 | 16 | 0 | 0 |
| Adjustable Leveling Legs | 4 | 4 | 4 | 4 | 4 | 0 | 0 |
| Adjustable Steel Shelves | 4 | 4 | 0 | 0 | 0 | 1 | 0 |
| Closet Rod | 1 | 1 | 0 | 0 | 0 | 0 | 0 |
| Closet Rod Brackets with Rubber Coated Hooks | 2 | 2 | 0 | 0 | 0 | 0 | 0 |
| EVA Foam Drawer Liners | 0 | 0 | 1 | 5 | 3 | 0 | 0 |
| Garbage Bin | 0 | 0 | 0 | 0 | 1 | 0 | 0 |
| Parts Bins | 0 | 0 | 0 | 0 | 24 | 0 | 0 |
| Light Valence | 0 | 0 | 0 | 0 | 0 | 1 | 1 |
| Long Drawer Dividers | 0 | 0 | 0 | 4 | 0 | 0 | 0 |
| Short Drawer Dividers | 0 | 0 | 0 | 8 | 0 | 0 | 0 |
| Side Support Brackets | 1 | 1 | 0 | 0 | 0 | 0 | 2 |
| Easy Wall Hanging Brackets | 2 | 2 | 2 | 2 | 2 | 2 | 3 |
| NewAge Logo | 1 | 1 | 0 | 0 | 0 | 0 | 0 |



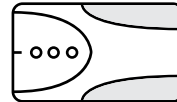
Tools Needed



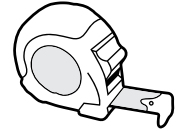
1 x Adjustable wrench



1 x 12" Magnetic Leveler



1 x Stud Finder



1 x Tape Measure

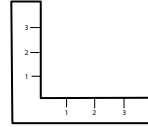


1 x 7/16" Socket driver wrench

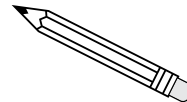
1 x 8mm" Socket driver wrench



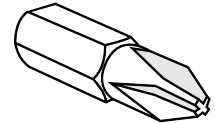
1 x 7/16" socket



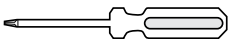
1 x Set Square



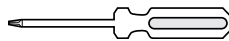
1 x Pencil



1 x #2 Phillips Bit



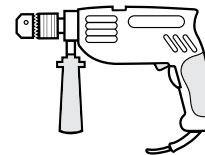
1 x #2 Phillips head screw driver



1 x #3 Phillips head screw driver



1 x Cordless Power Drill



1 x Hammer Drill



1 x Masonry Bit

[optional for masonry]

Manufacturer Warranty Limited Lifetime

When this product is installed, operated and maintained according to the instructions attached to or furnished with the product, NewAge Products Inc. will replace the defective product or parts if the part fails as a result of defective materials or workmanship for the Lifetime of the product.

NEWAGE PRODUCTS INC. WILL NOT PAY FOR:

1. Service calls to correct the installation of any NewAge products or to instruct you how to use or install them.
2. Damage resulting from improper handling or shipping of products, or products damaged by accident, misuse, abuse, fire, flood, improper installation, acts of God, neglect, corrosion, modification or mishandling.
3. Products damaged by improperly loading beyond the specified maximum weight capacity outlined in the instructions provided with the product.
4. Repairs or replacement when your product is used in other than normal, single-family household use, such as a commercial environment, or handled in anyway inconsistent with the installation instructions included with the product.
5. Cosmetic damage, including scratches, dings, dents or cracks in paint that do not affect the structural or functional capability of the product.
6. Surfaces damaged due to chemical interaction resulting in corrosion of paint or metal.
7. Replacement parts for NewAge products outside Canada and the United States.
8. Replacement keys or locking mechanisms.
9. Loss of product contents due to theft, fire, flood, accident or acts of God.
10. Shipping or freight fees to deliver replacement products or to return defective products.
11. Any labor costs during the limited warranty period.

DISCLAIMER OF IMPLIED WARRANTIES; LIMITATION OF REMEDIES

IMPLIED WARRANTIES, INCLUDING TO THE EXTENT APPLICABLE WARRANTIES OF MERCHANTABILITY OR FITNESS FOR A PARTICULAR PURPOSE, ARE EXCLUDED TO THE EXTENT LEGALLY PERMISSIBLE. ANY IMPLIED WARRANTIES THAT MAY BE IMPOSED BY LAW ARE LIMITED TO ONE YEAR, OR THE SHORTEST PERIOD ALLOWED BY LAW. SOME STATES AND PROVINCES DO NOT ALLOW LIMITATIONS OR EXCLUSIONS ON HOW LONG AN IMPLIED WARRANTY OF MERCHANTABILITY OR FITNESS LASTS, SO THE ABOVE LIMITATIONS OR EXCLUSIONS MAY NOT APPLY TO YOU. THIS WARRANTY GIVES YOU SPECIFIC LEGAL RIGHTS, AND YOU MAY ALSO HAVE OTHER RIGHTS WHICH VARY FROM STATE TO STATE OR PROVINCE TO PROVINCE

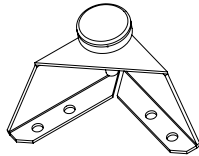
NEWAGE
PRODUCTS INC.

Installing the Feet

i Parts Needed.

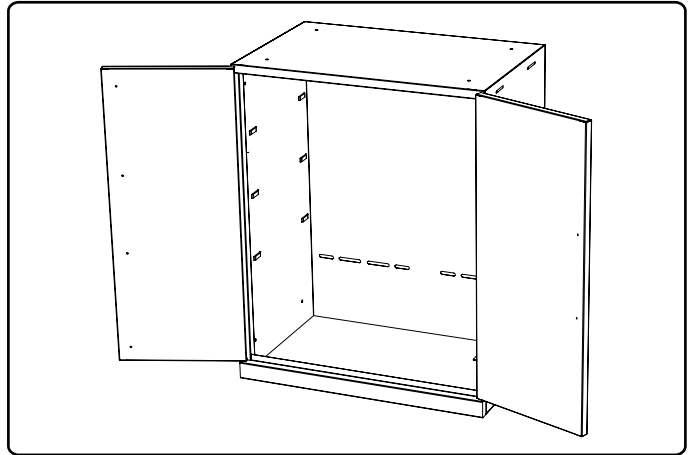


16 X Foot
Attachment Screws

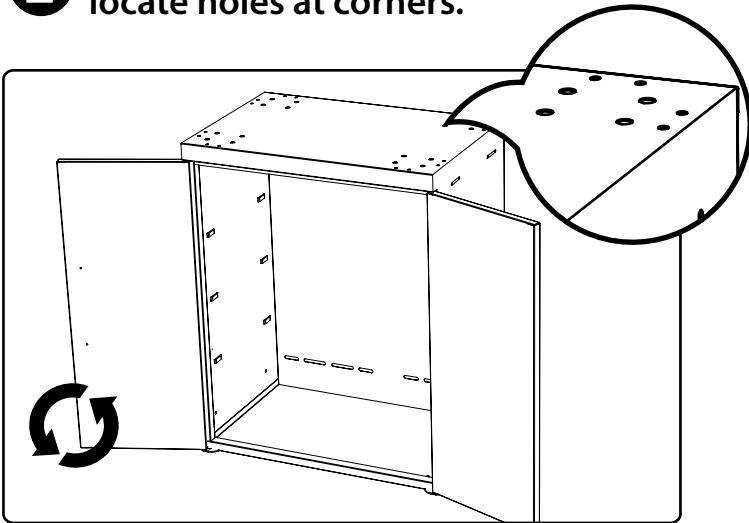


Height-Adjustable
Steel Leveling Legs

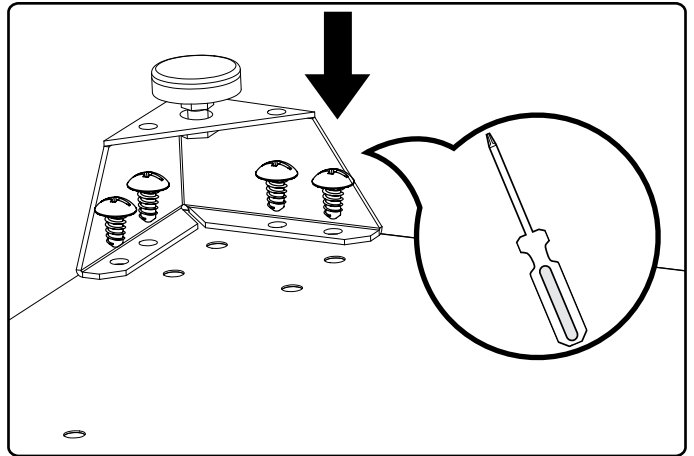
1 Open cabinet, remove any shelves or loose items.



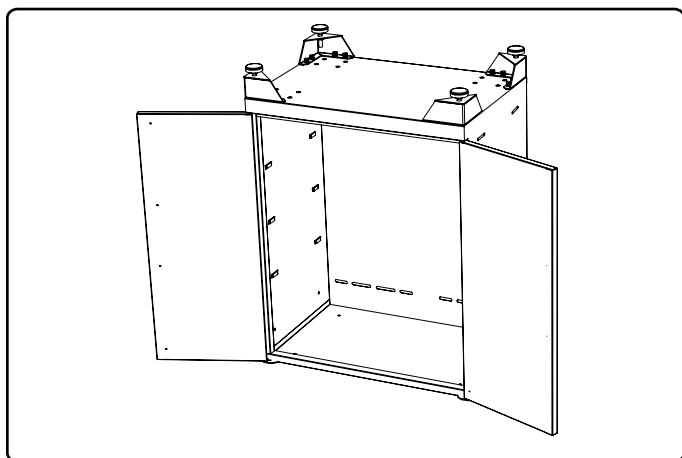
2 Flip cabinet upside down, locate holes at corners.



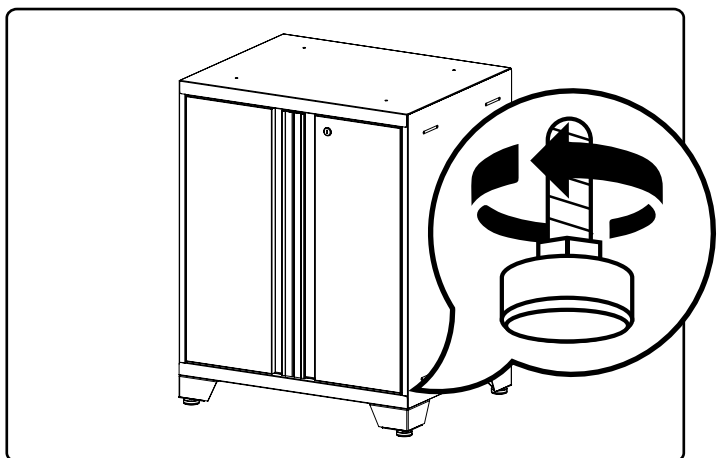
3 Align foot with edge of cabinet. Screw in 4 x foot attachment screws using #3 Phillips Bit



4 Repeat step 3 for each corner.



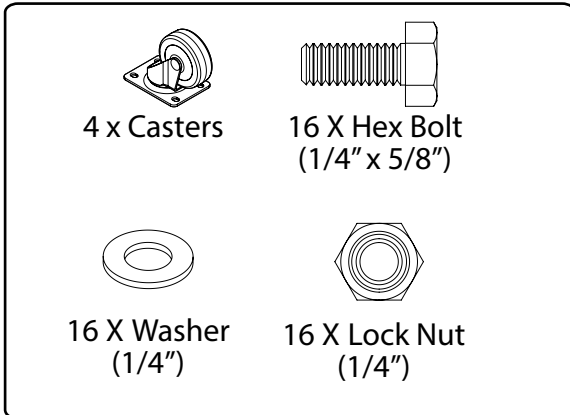
5 Stand & level feet.



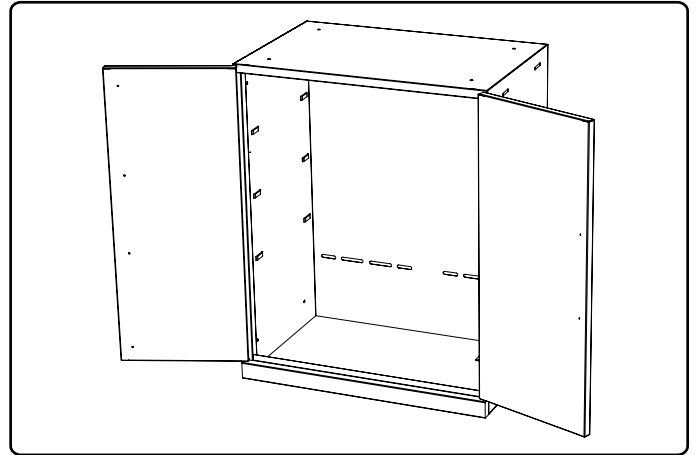
Installing Casters

Note: Caster kits sold separately.
shopnewage.com

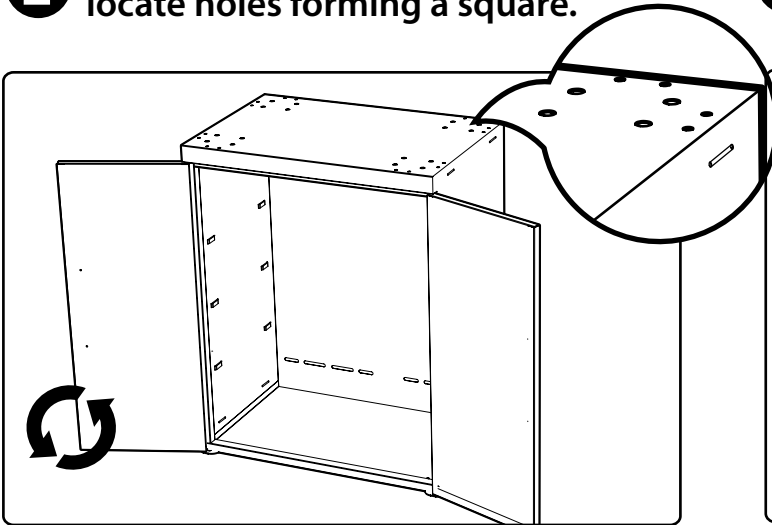
i Parts Needed.



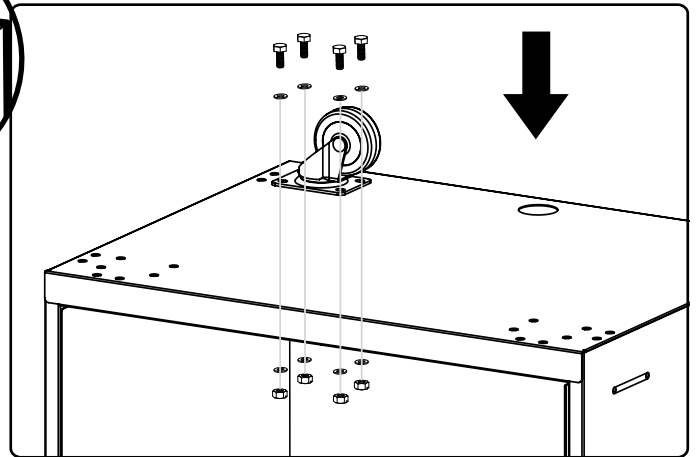
1 Open cabinet, remove any shelves or loose items.



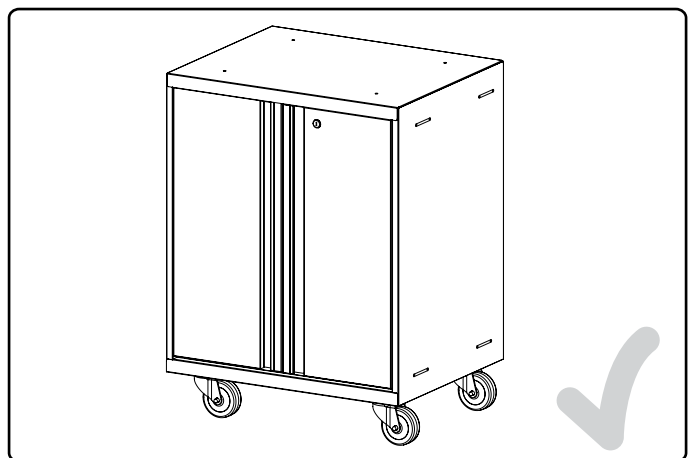
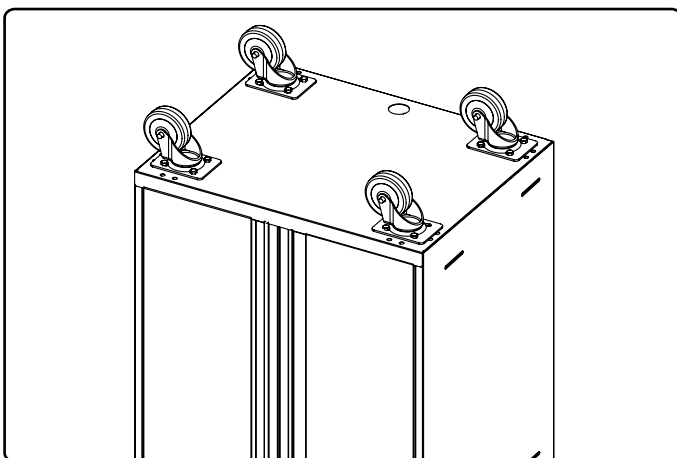
2 Flip cabinet upside down, locate holes forming a square.



3 Align foot with holes. Attach with 4 hex bolts, washers, and nuts.

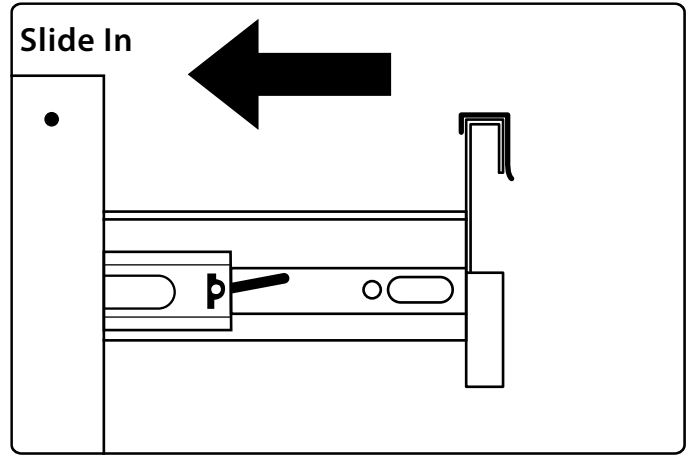
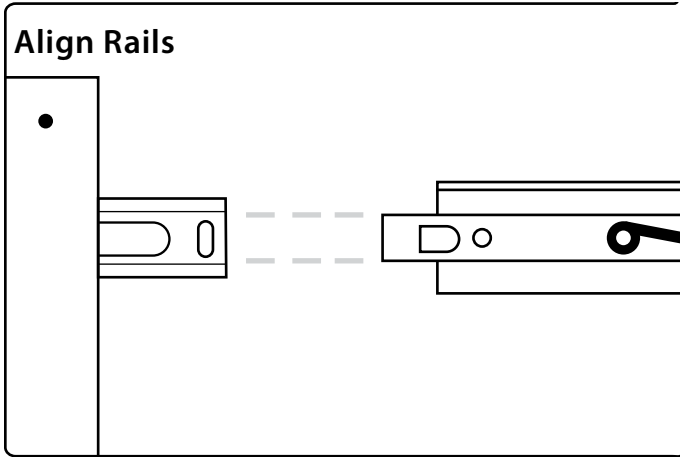


4 Repeat step 3 for each corner.



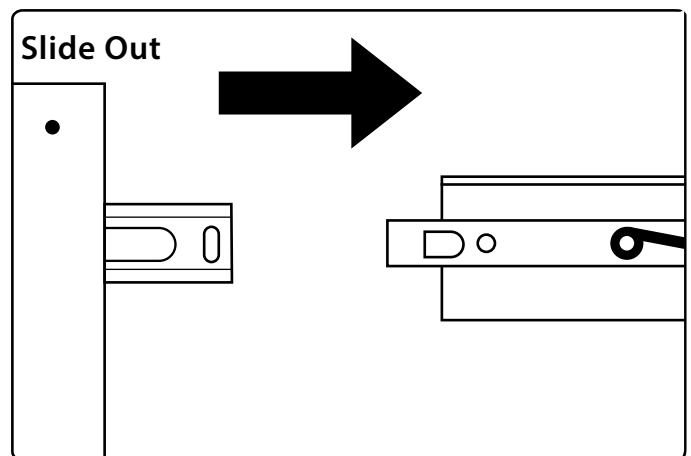
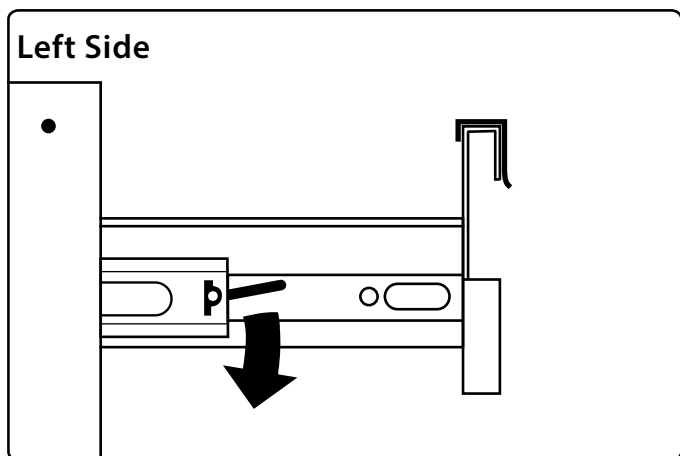
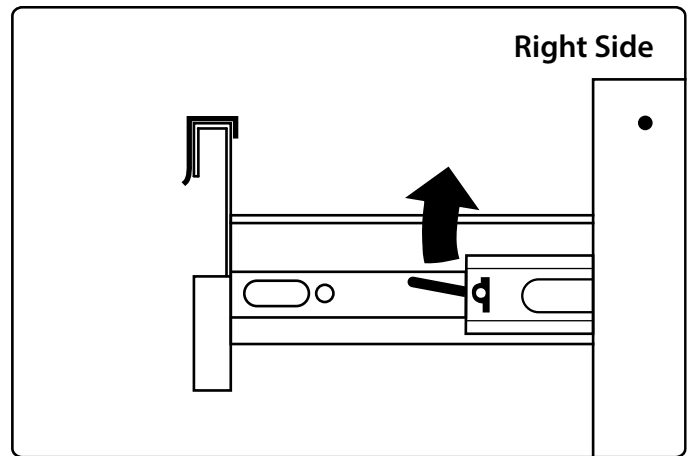
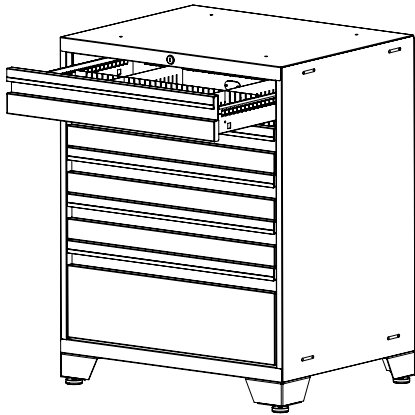
Installing the Drawers

Inserting Drawers.



Removing Drawers.

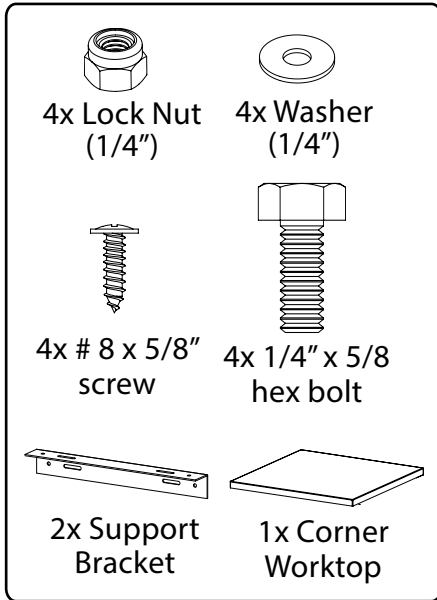
Slide drawer out completely



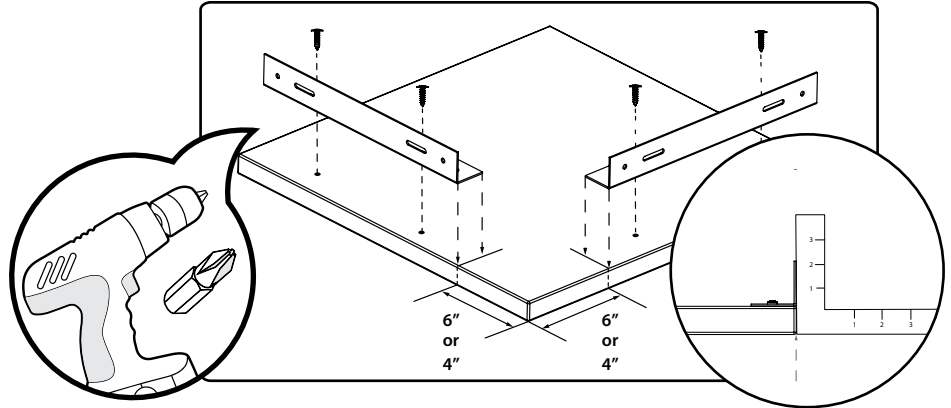
Installing Corner Worktop

Note: Ensure there is enough assembly room. Cabinets must be assembled away from corner to access backs of cabinets.

i Parts Needed.

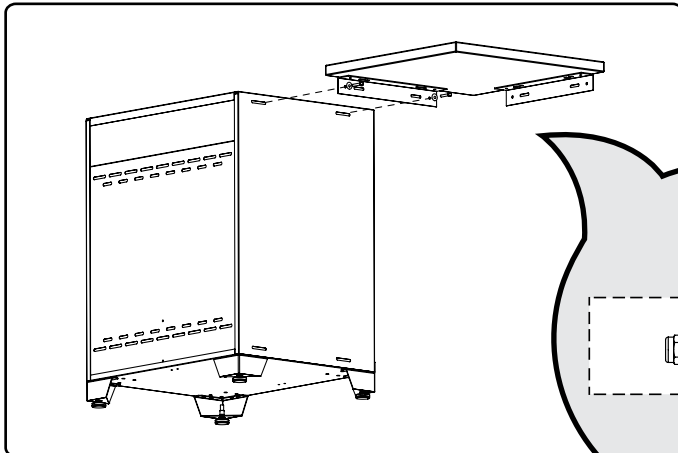


1 On adjacent edges attach 2 support brackets to underside of corner top using the supplied (4) 38 x 5/8" screws.

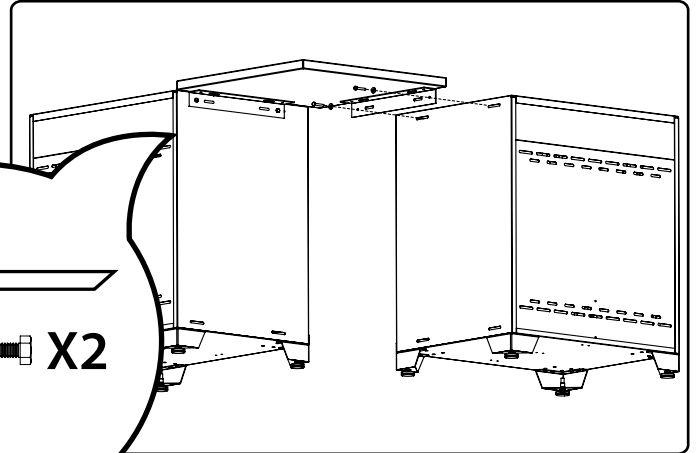


Important: For mounting top flush with back of cabinet measure 6" in from corner, for mounting top flush with front of cabinet measure 4" in from corner and flush with edge.

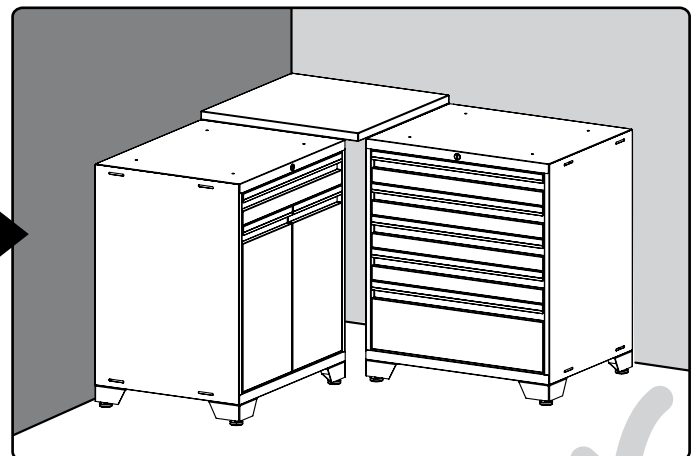
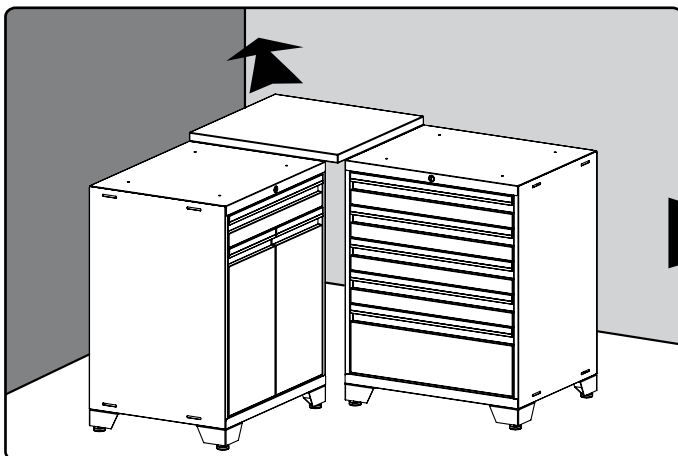
2 Attach top to one cabinet using 1/4" x 5/8 hex bolts, nuts, and washers.



3 Attach second cabinet to top.

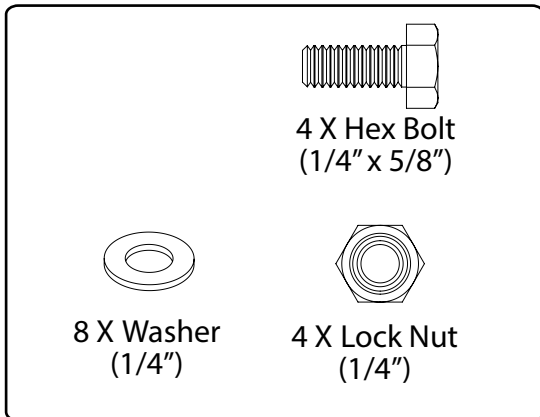


4 Slide in corner and attach remaining cabinets.

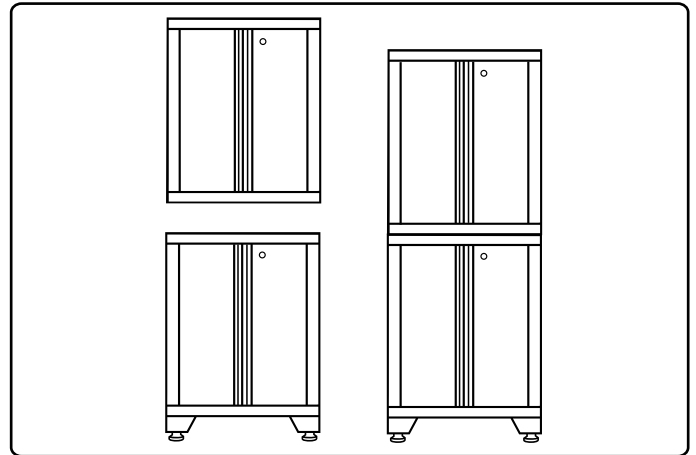


Stacking Cabinets

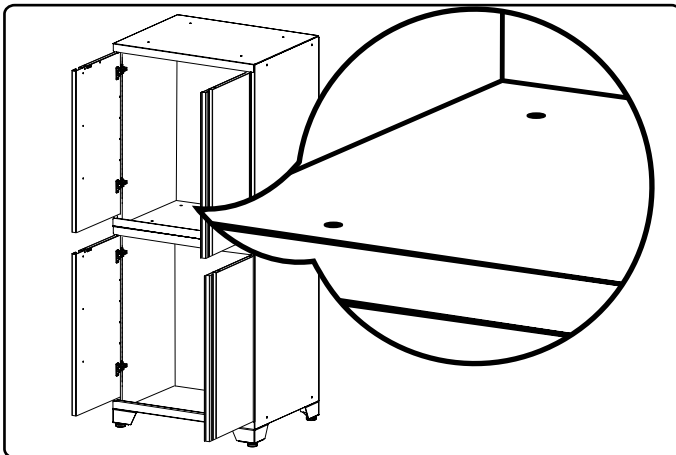
i Parts Needed.



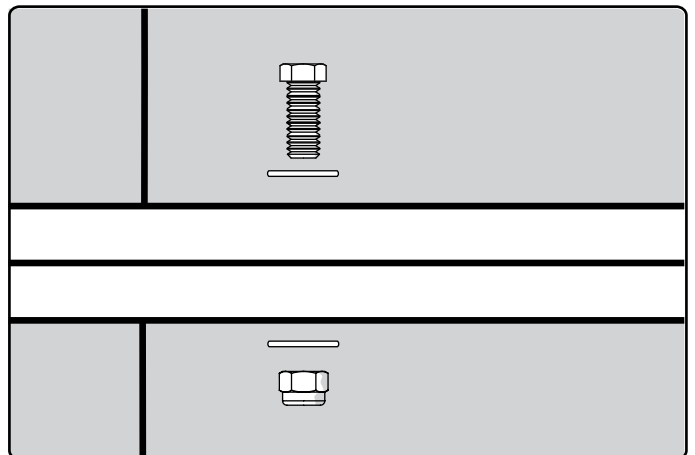
1 Position a second base cabinet on top of an existing base cabinet.



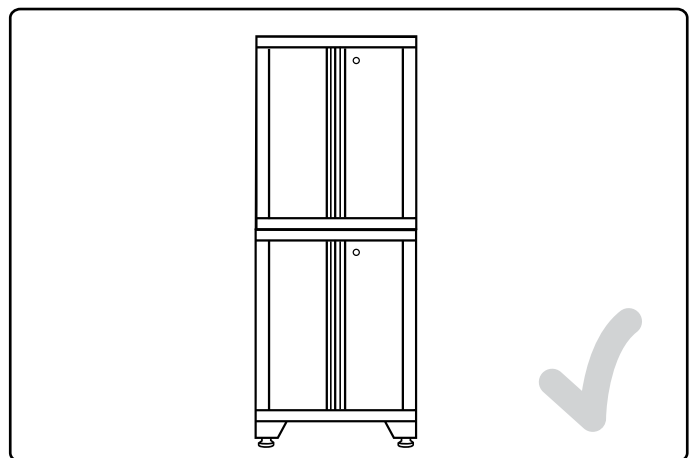
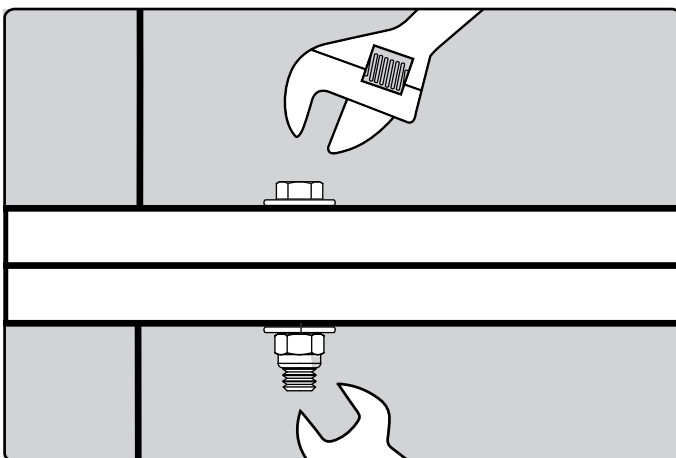
2 Locate punch holes on adjoining surface and insert bolts.



3 Attach cabinets using the supplied 1/4" x 5/8" hex bolts, washers, and nuts.



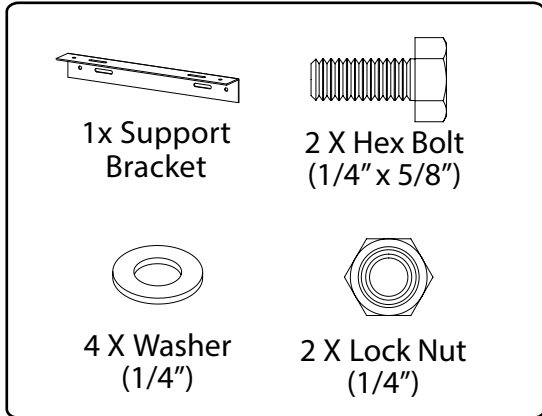
4 Tighten all bolts



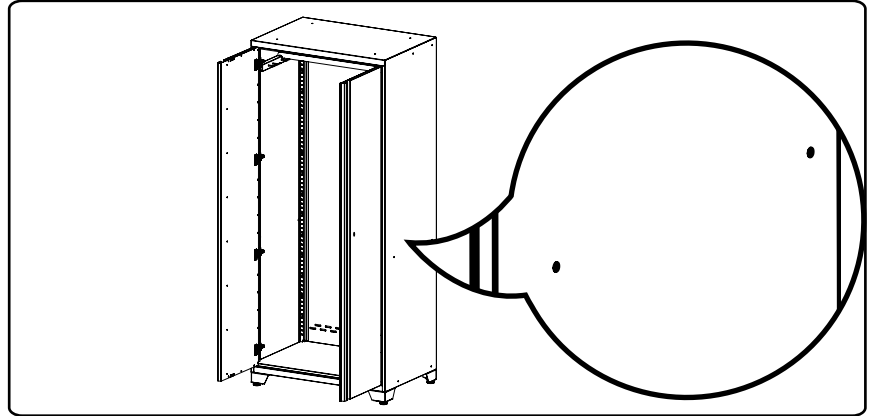
Installing Worktop Side Support Bracket

Note: Support bracket included with locker.

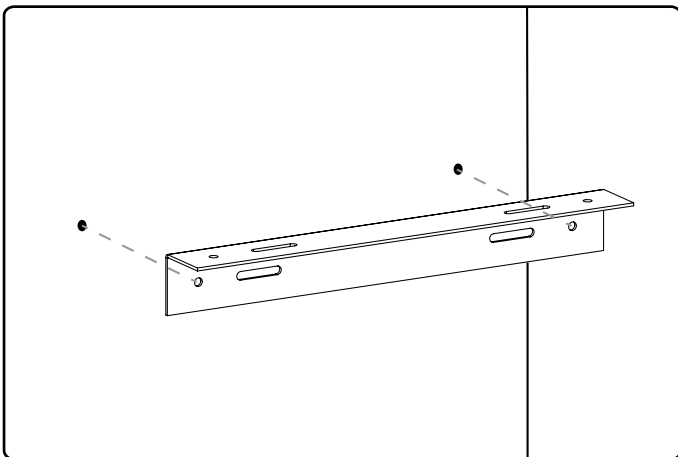
i Parts Needed.



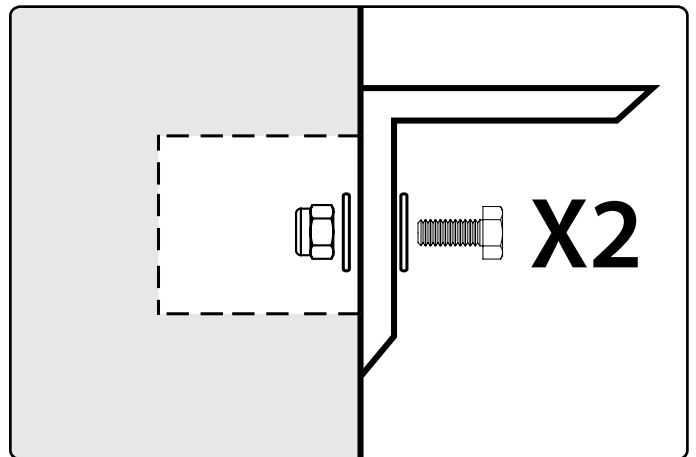
1 Open locker and locate holes on either side.



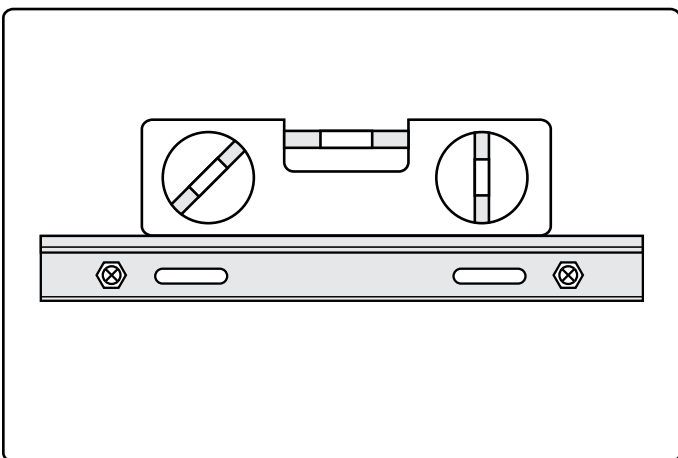
2 Align bracket.



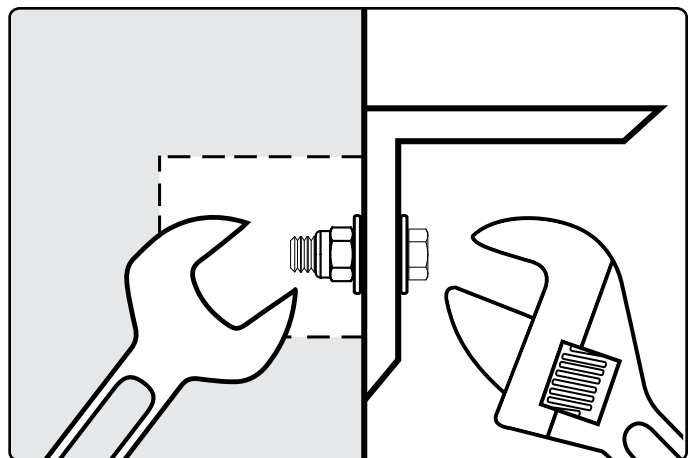
3 Fasten nuts, bolts, and lock washers.



5 Level bracket and ensure it is at the same height as the base cabinet.

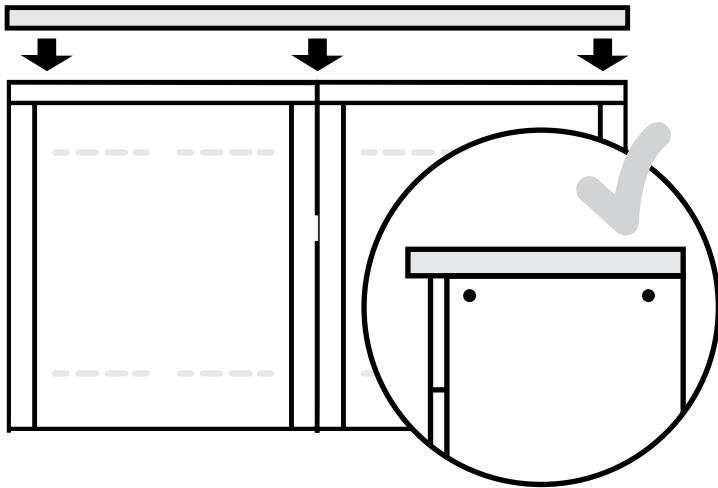


4 Tighten nuts & bolts.

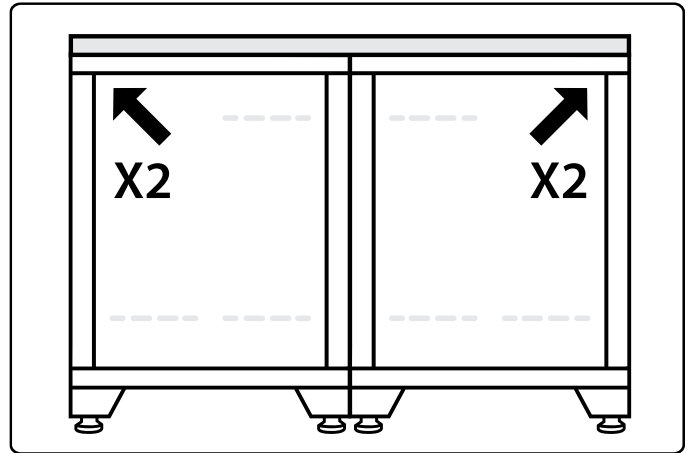


Mounting the Worktop (On 2 Cabinets)

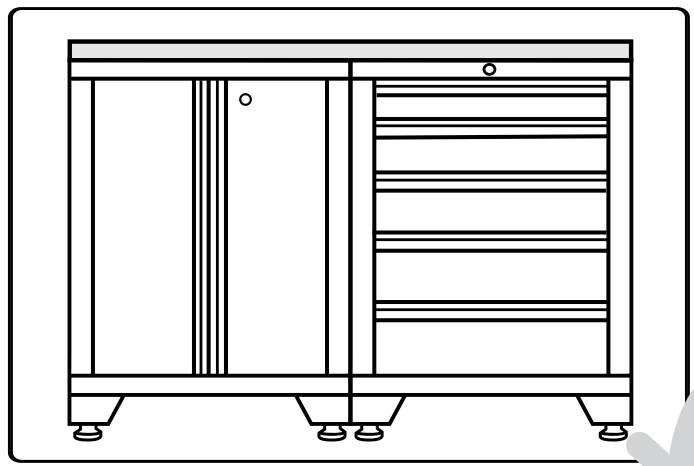
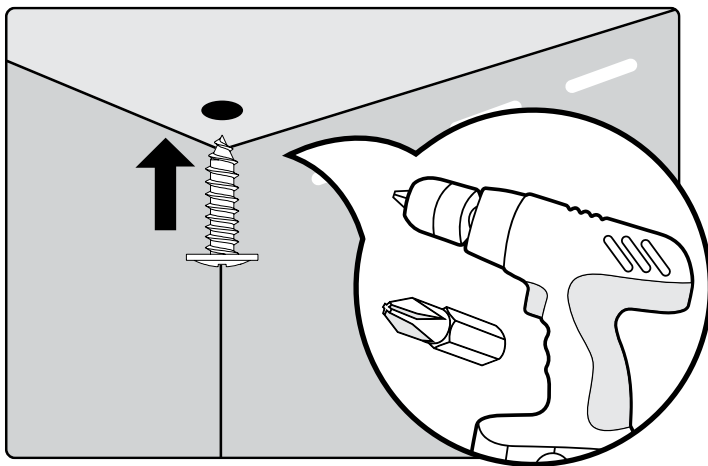
1 Place worktop on cabinets.



2 Locate 2 punch holes both sides.

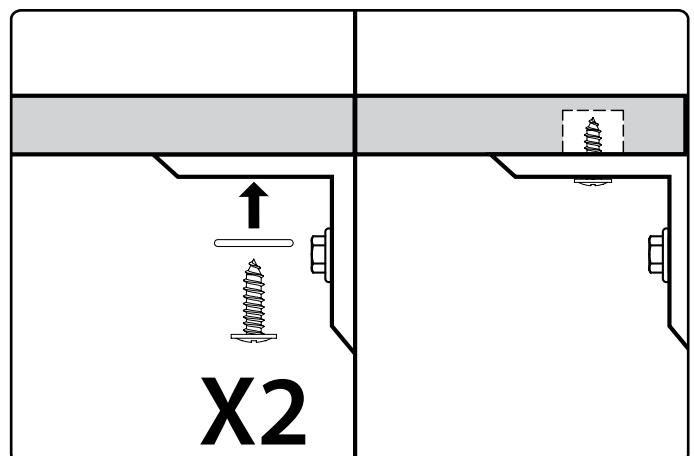
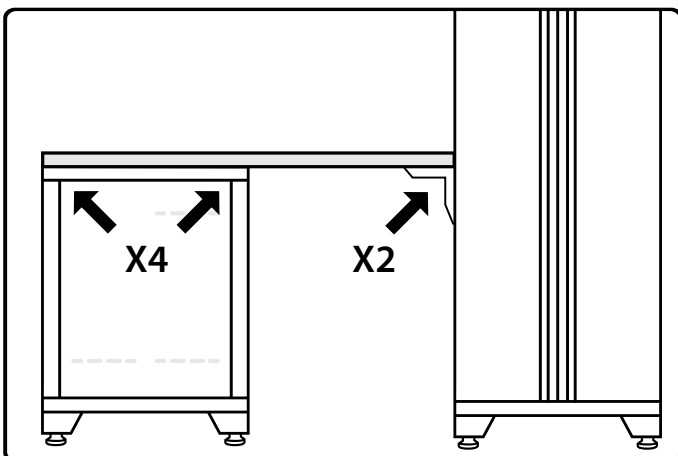


3 Drill into the worktop using the #8 x 5/8" wood screws.



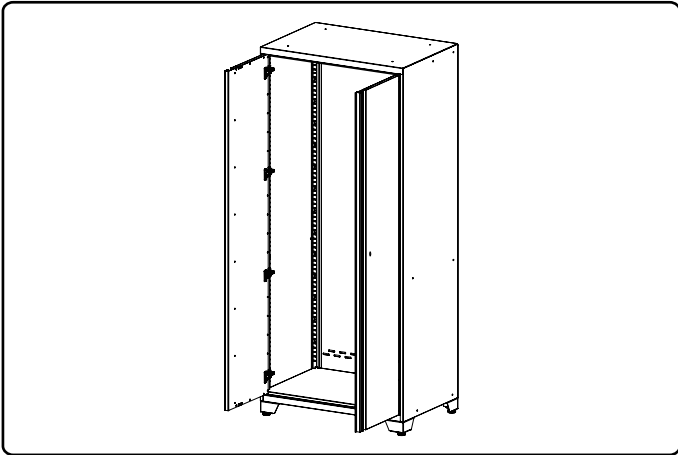
i Optional: For locker support bracket.

Use 2 washers & #8 x 5/8" wood screws.
Provided in the locker packaging.

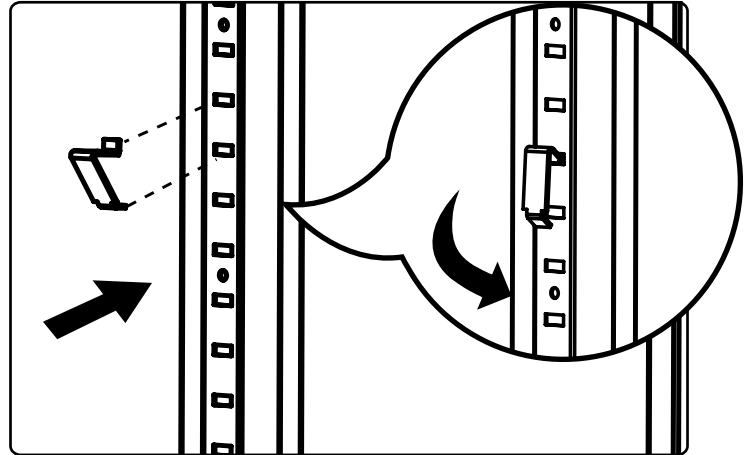


Inserting Locker Utility Rod and Hangars

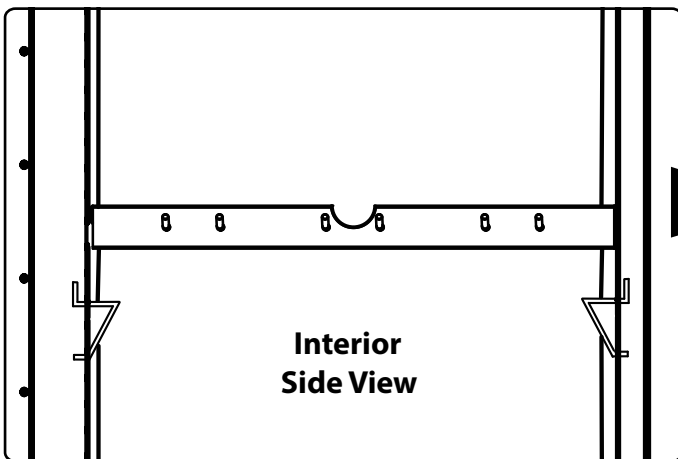
1 Open cabinet Doors.



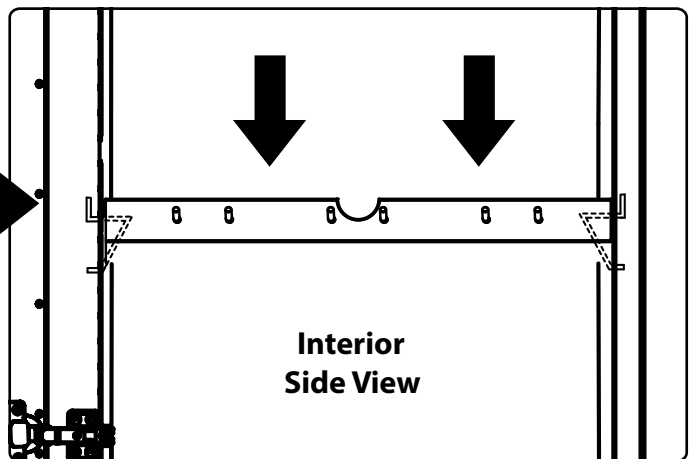
2 Insert clips into slots in corners. Rotate to engage.



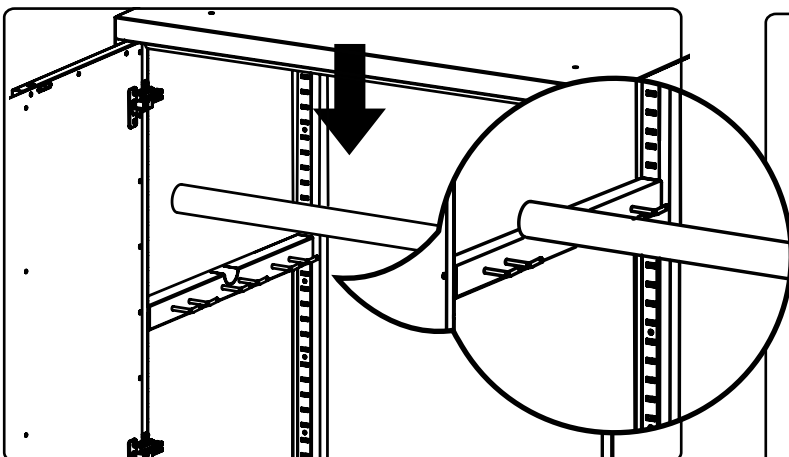
3 Place hangar against locker wall above supports.



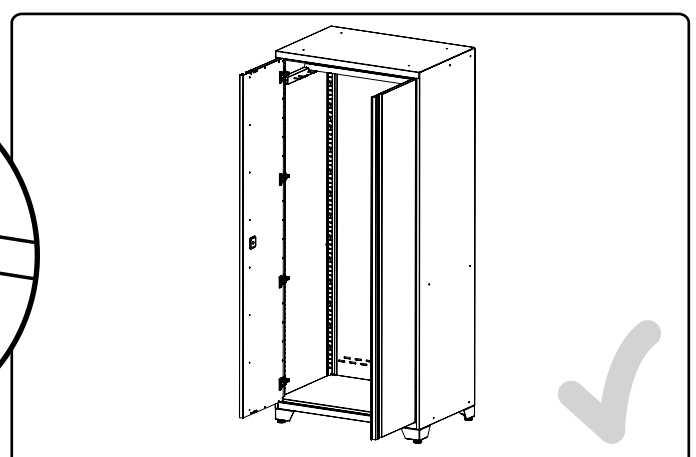
4 Ensure rear flange slides down behind clips and that the bracket is secure.



5 Lower rod into cradle.

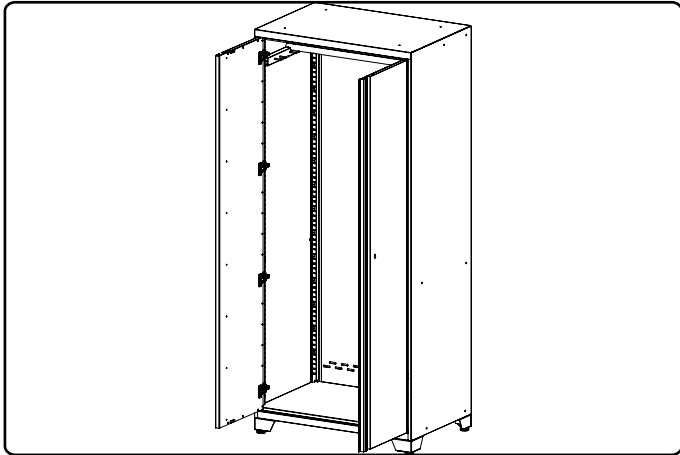


6

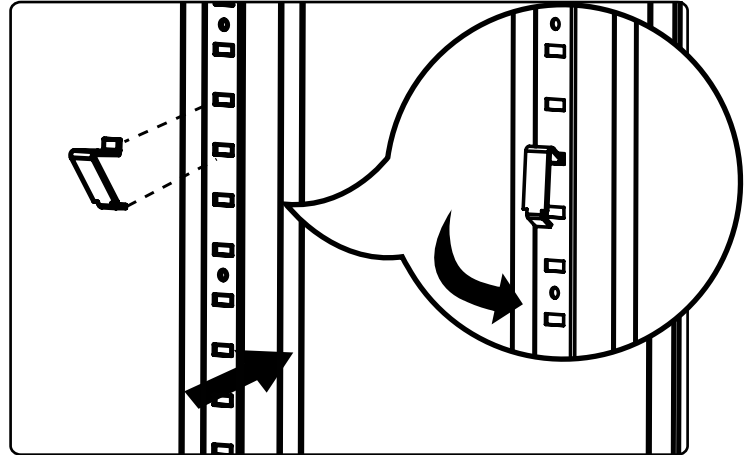


Inserting Cabinet Shelves

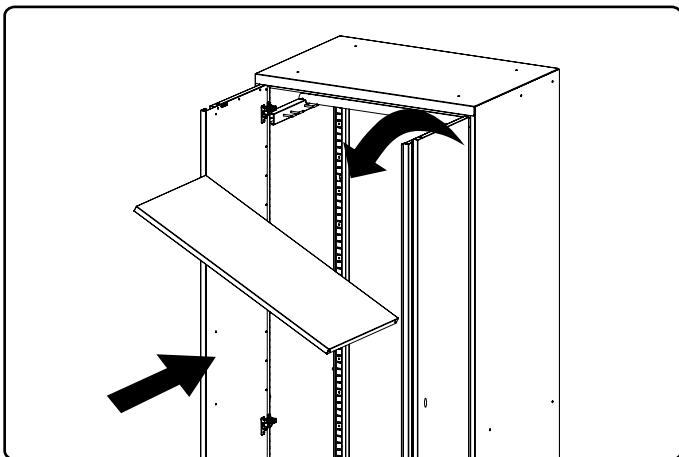
1 Stand cabinet up.



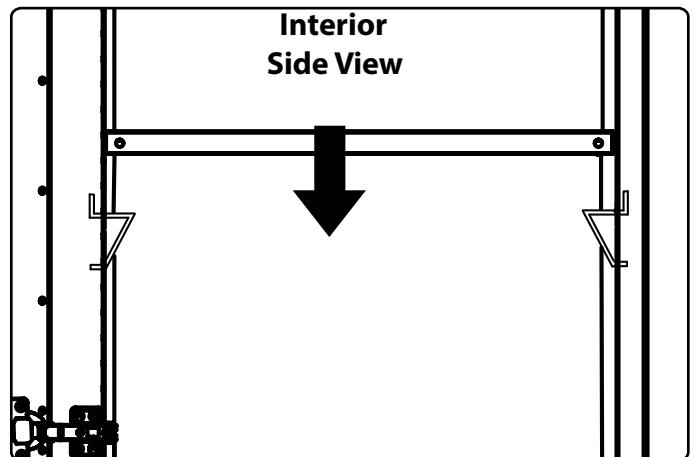
2 Insert shelf clip on slight angle and rotate to level position.



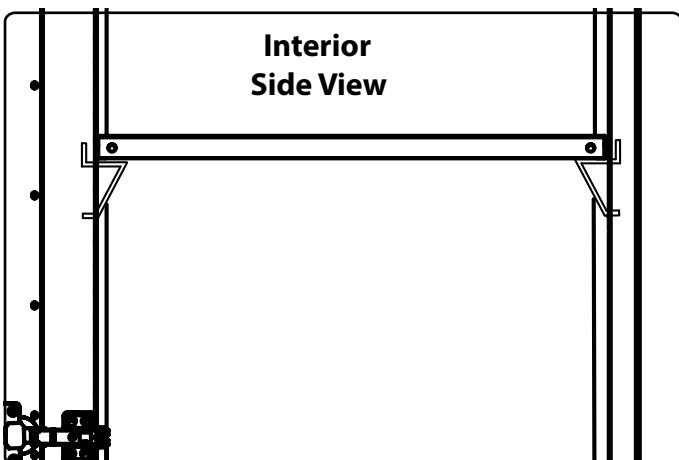
3 Insert shelf on a angle and rotate to level position.



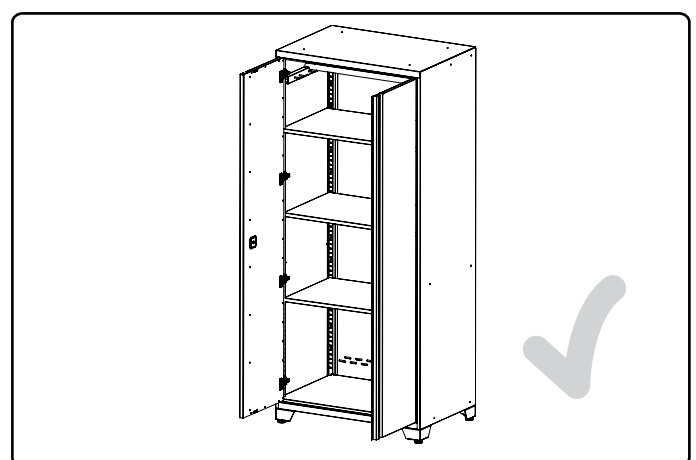
4 Lower shelf onto supports.



5 Rest shelf on supports.

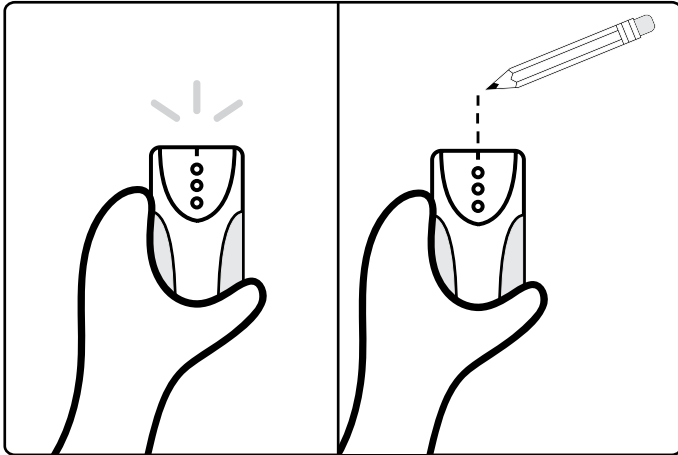


6 Insert remaining shelves.

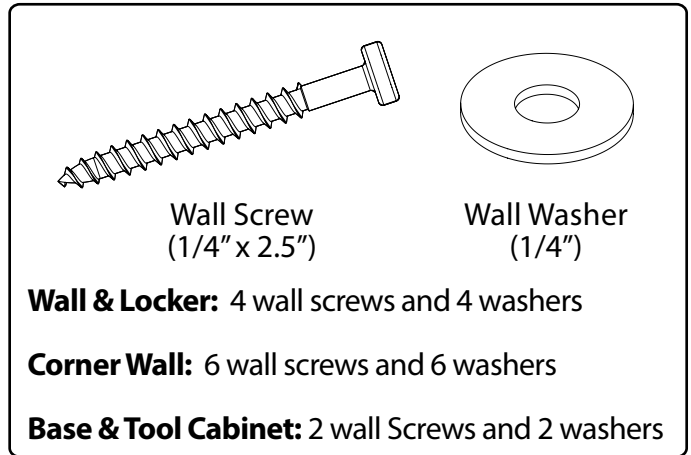


Mounting Cabinets (Drywall/Studded Wall)

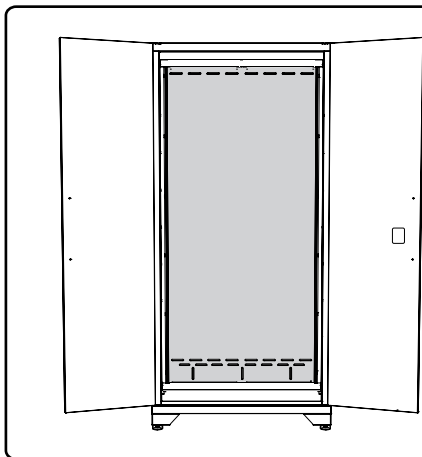
- 1** Use stud finder to locate the studs and mark the wall with a pencil.



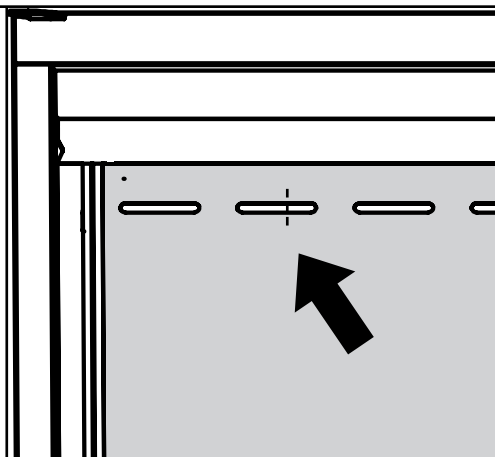
- 2** Gather parts.



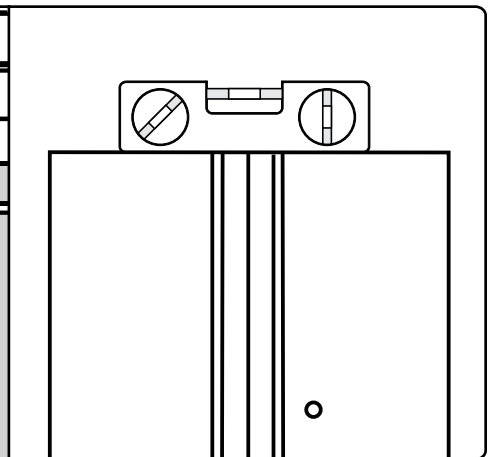
- 3** Place cabinet tight against the wall.



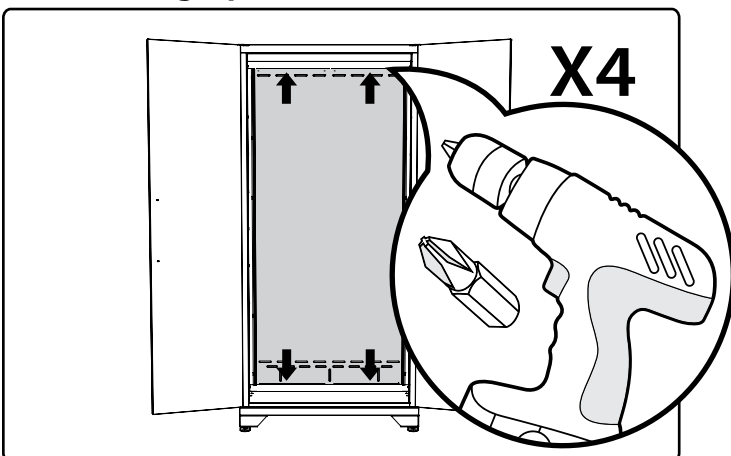
- 4** Align cabinet to stud marks.



- 5** Level cabinet



- 6** Drill 4 wall screws and washers through perforated holes into studs.

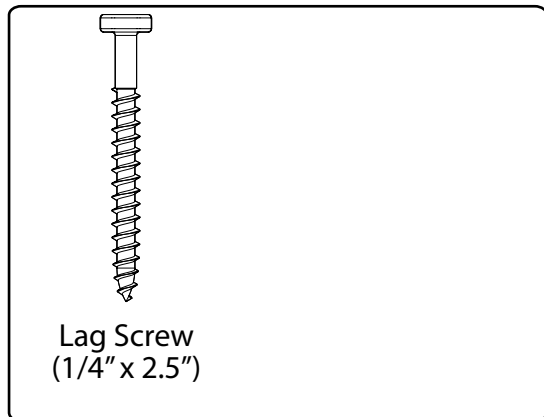


i Masonry.

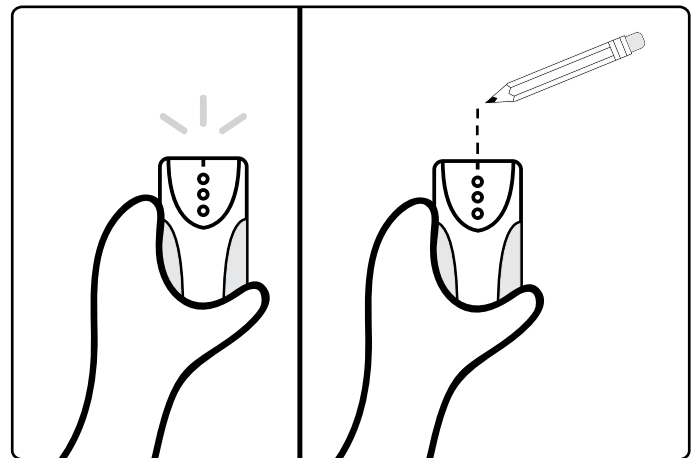
- Follow steps 3 to 5.
- Drill 4 pilot holes through the perforated strip with hammer drill & masonry bit.
- Use 4 x (2 1/4" x 1/4") Tapcon Concrete Anchor into wall. (Not Included)
- OR 4 x (#10 x 2") Screw with 3/16" masonry plug into wall. (Not Included)
- Follow Step 6.

Hanging Cabinets on Wall (optional)

i Parts Needed.



1 Use stud finder to locate the studs and mark the wall with a pencil.

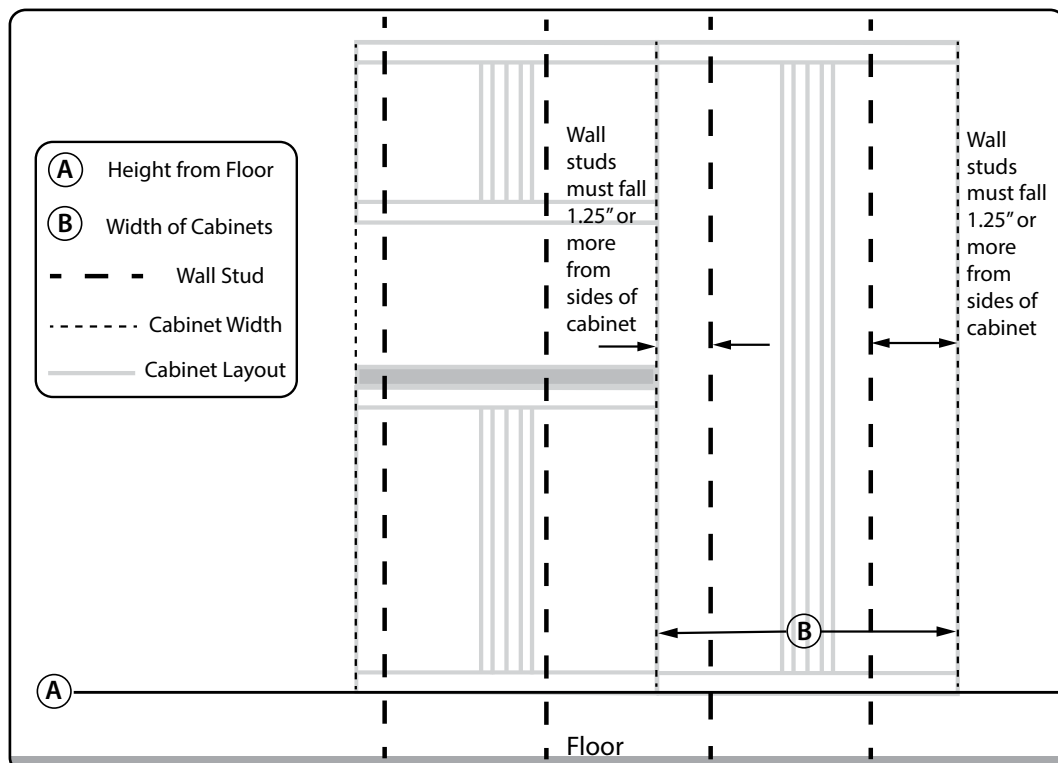


2 Planning the general position of cabinets.

Step A. Determine the height off the ground you would like the base and locker cabinets to be and make a horizontal mark at this position.

Step B. Next mark the width of each cabinet in the intended position and ensure the wall studs fall at least 1.25" in from the edge of the cabinets. This will ensure there is no interference with the edges of the cabinet and the wall bracket when hanging the cabinet on the wall.

Note: Ensure there are two studs for the locker to be mounted on as it is easiest to start the installation with the locker first. Due to the spacing of the wall studs it is possible that some base or wall cabinets will only have one stud they will attach to; This is acceptable as long as the cabinet is bolted to another securely mounted cabinet.

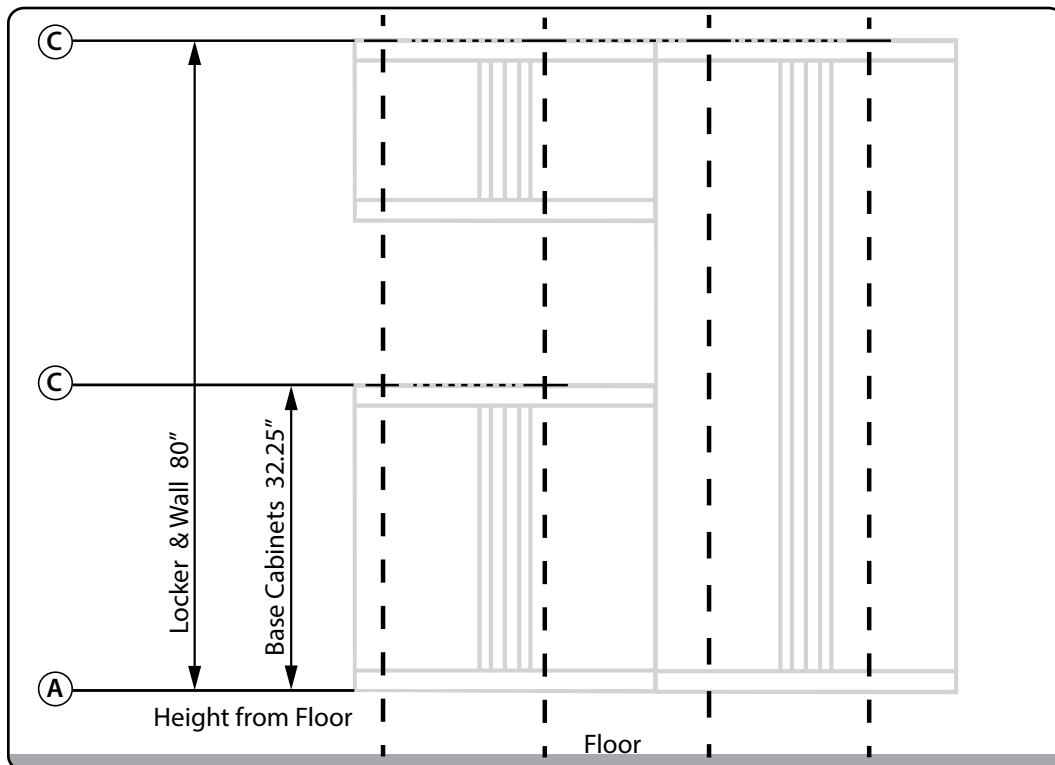


Hanging Cabinets on Wall (cont.)

3 Planning the general position of cabinets. (cont.)

Step C. Measuring up from the line marked in Step A, make a horizontal mark at the following heights where they intersect the wall stud marks to determine where the top of the cabinet will be (and where the hanging bracket will be installed).

1. **Locker:** Measure 80" vertically from base line and mark at stud locations.
2. **Base:** Measure 32.25" vertically from base line and mark at stud locations.
3. **Wall cabinets:** Measure 80" vertically from base line and mark at stud locations (if installing flush with top of locker).



Step D. Ensure the cabinets will be at a suitable working height and that your wall cabinets are not out of reach.

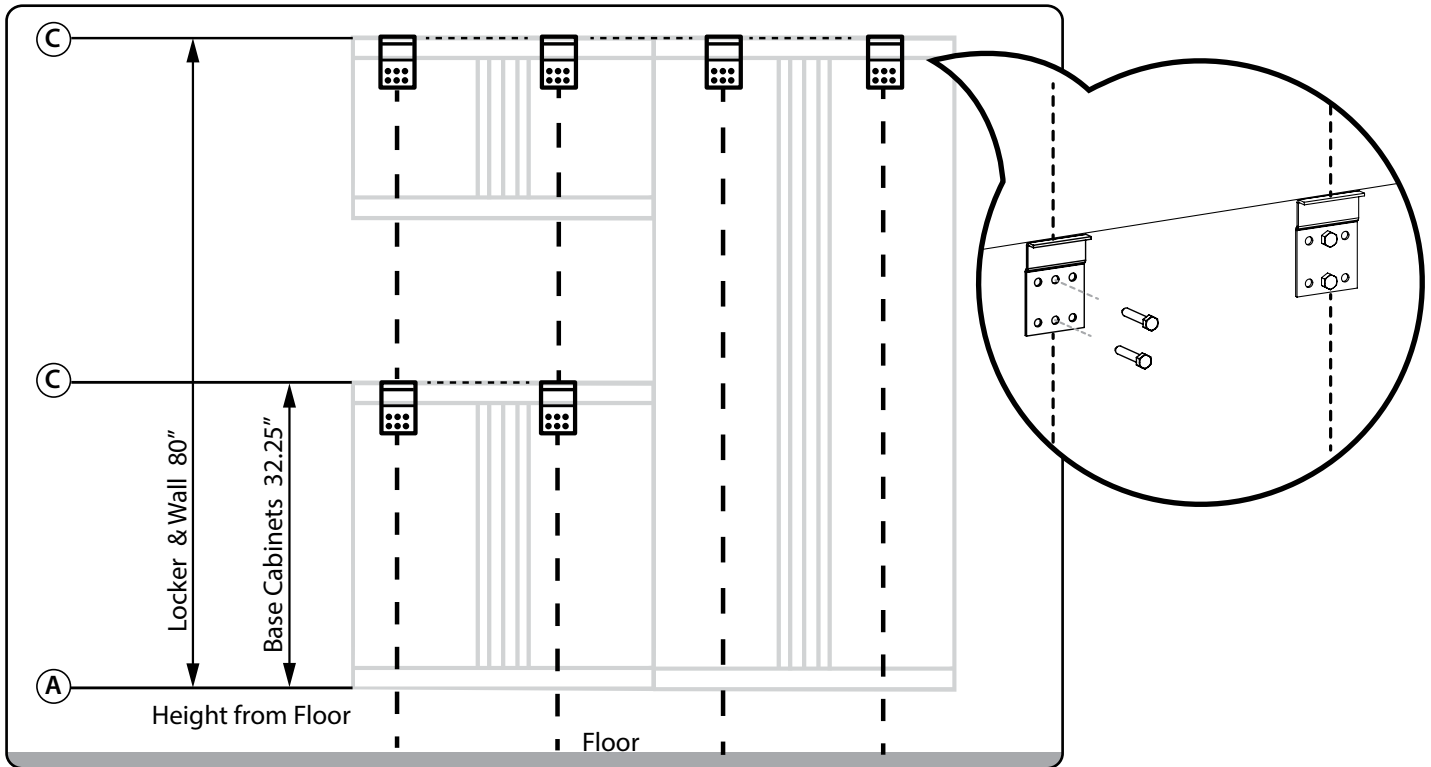
Note: The working surface of the base cabinets will be 1.25" higher than the cabinet with the top installed.

Hanging Cabinets on Wall (cont.)

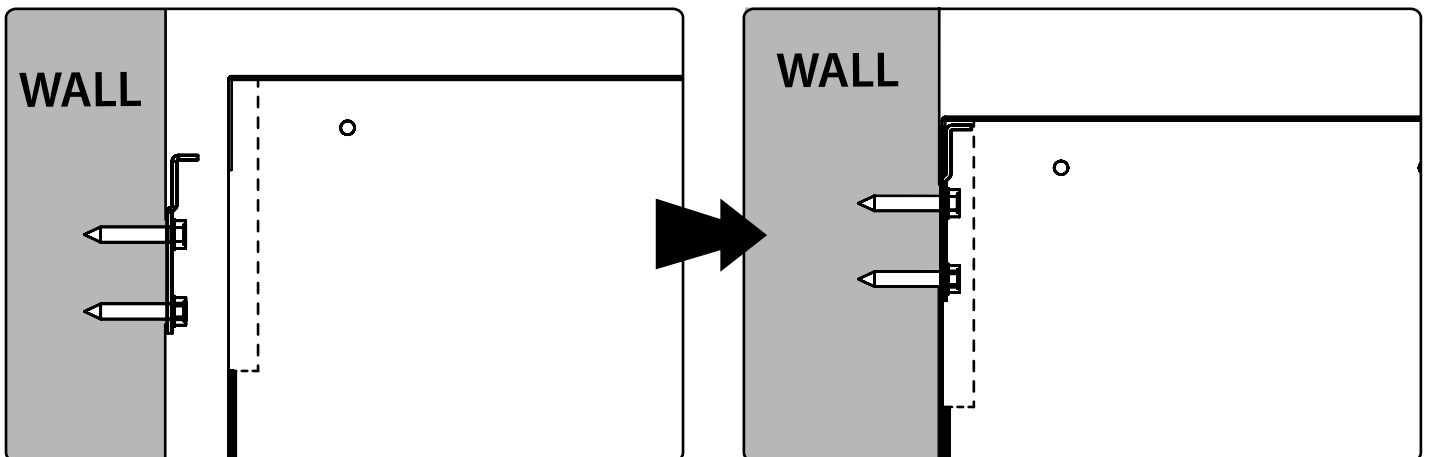
4 Hanging cabinets on wall.

Align the top of the wall hanging brackets with the lines marked for the position of the top of the cabinets (Step C) and attach the brackets securely into the studs using the supplied lag bolts and washers.

Note: It is possible to offset the bracket to one side or the other if the bracket is positioned close to the edge of the intended cabinet position by using the secondary hole positions on the bracket.

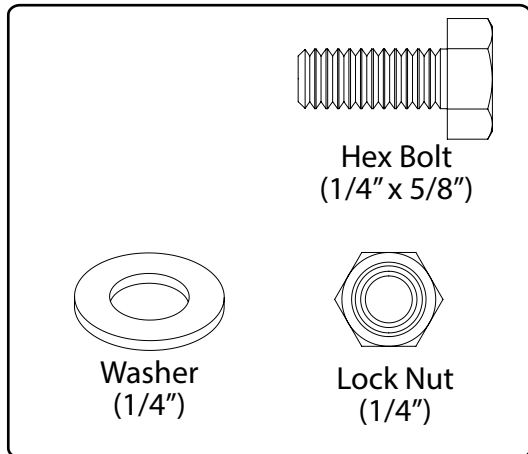


5 Lift cabinet into place over the brackets and flush with the wall, and lower into place.

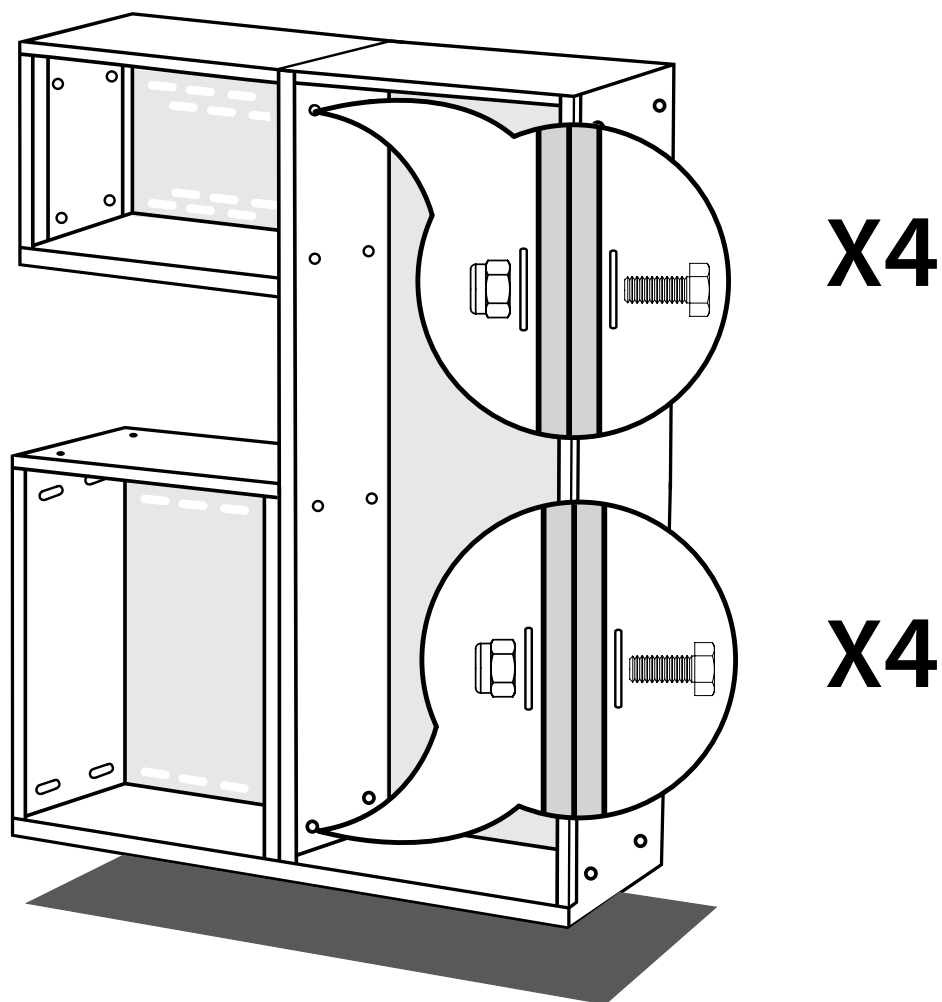
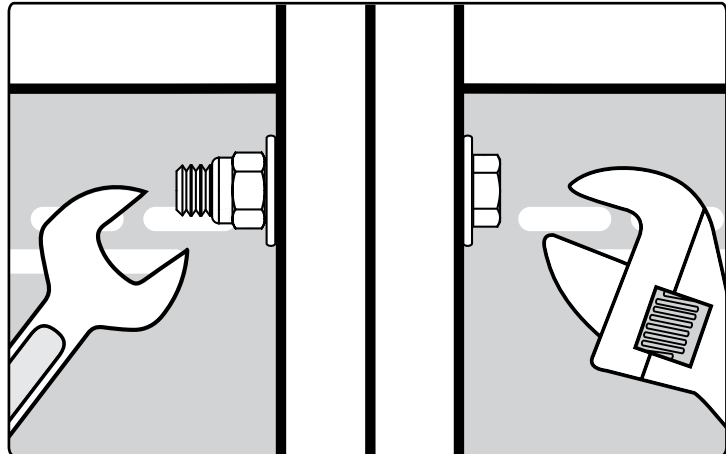


Hanging Cabinets on Wall (cont.)

Parts Needed.



6 Bolt each subsequent cabinet to the previous one using the supplied 1/4" x 5/8" hex bolts and lock nuts provided in each base and wall cabinet.



WARNING: Wall brackets are not designed to support the weight of a loaded cabinet. Cabinets must be secured to the wall using supplied 1/4" x 2.5" lag screws.

Securing to Wall



Note:

Do not load cabinet without first securing to the wall.

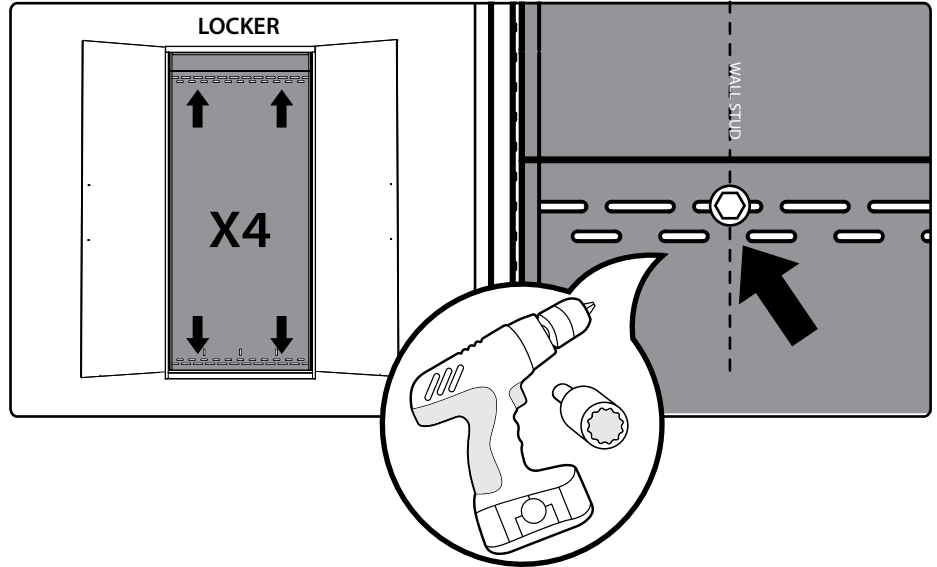
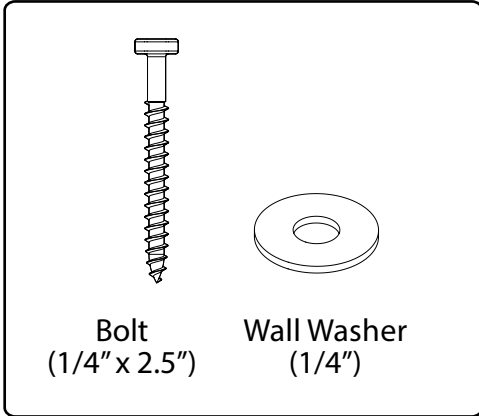
Note: Brackets are not designed to support the weight of a loaded cabinet. Cabinets must be secured to the wall using supplied 1/4" x 2.5" lag screws.



Parts Needed.

7

Using (4) 1/4" x 2.5" lag screws and washers secure each cabinet to wall stud from inside cabinet.



Hanging Cabinets on Slatwall

Note: Slatwall Brackets for use with standard 3" slatwall **Sold Separately**. Check with your slatwall supplier to determine the rated capacity of your slatwall. **DO NOT OVERLOAD.**

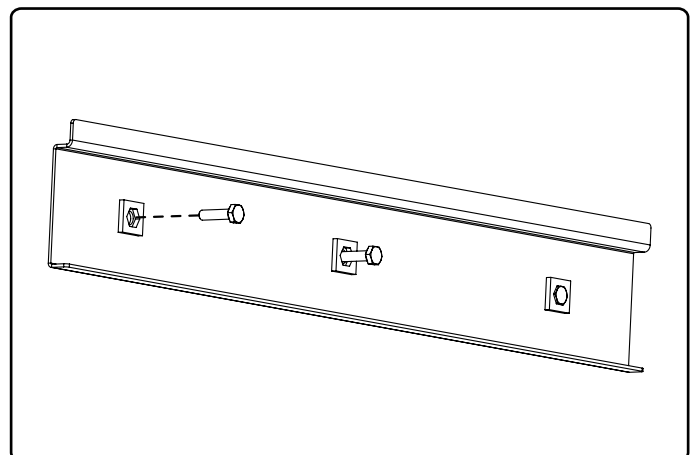
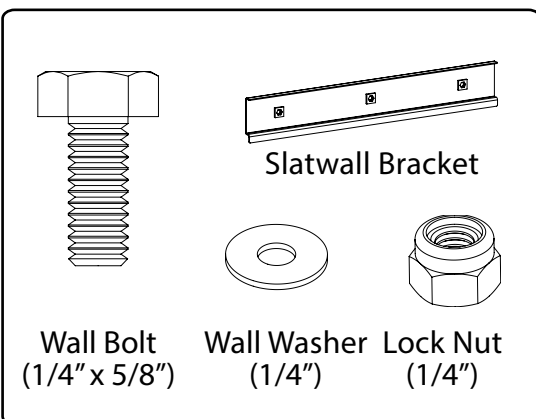
NewAge Slatwall Brackets are only compatible with standard 3" on center Slatwall.



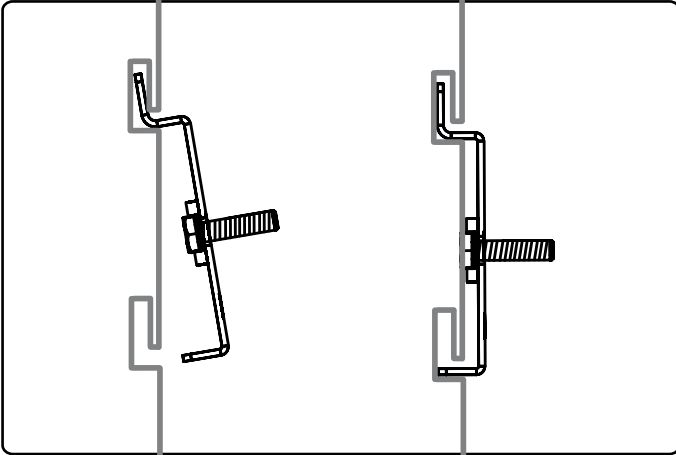
Parts Needed.

1

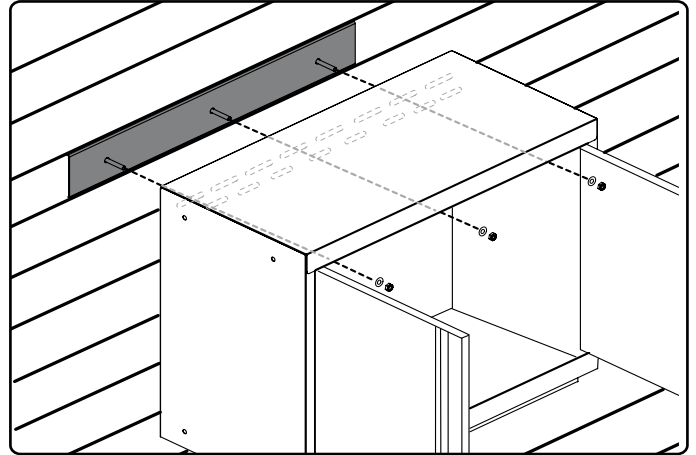
Insert bolts through slatwall bracket.



2 Attach bracket to slatwall at desired height.

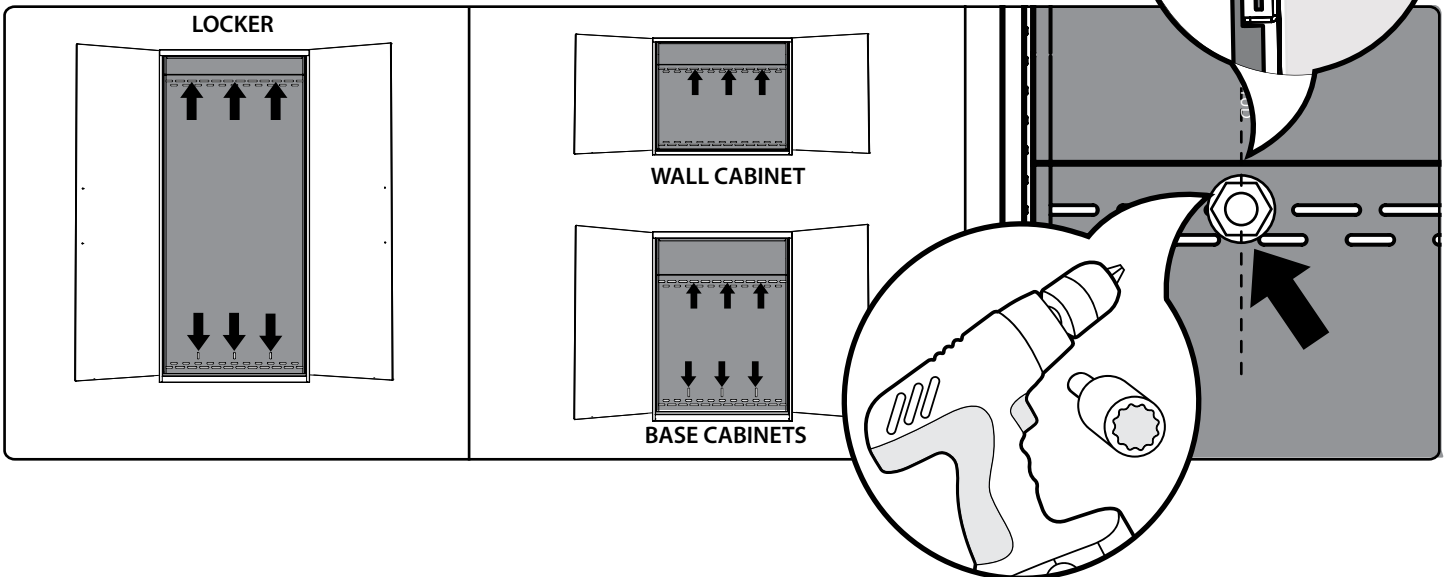


3 Align bolt with slots on back of cabinet and hang cabinet.



Note:For Locker cabinet attach second bracket 66" below first bracket. For Base cabinet attach second bracket 18" below first bracket.

4 Using 7/16" drill socket or 7/16" wrench securely tighten lock nuts to each wall bracket from inside cabinet.



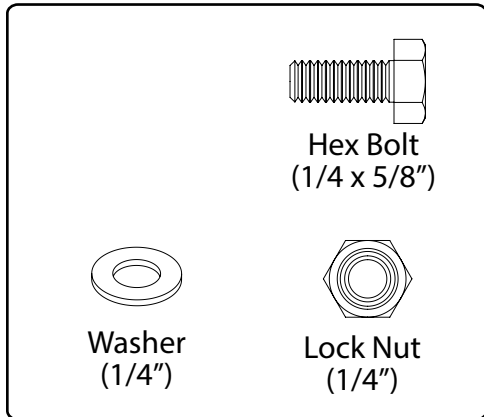
Fastening Cabinets



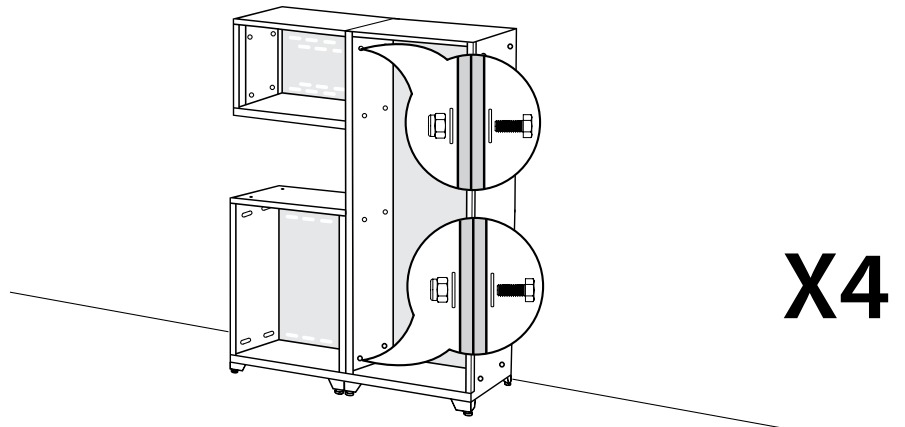
Note:

Fasten additional cabinets to initial securely mounted cabinet.

i Parts Needed.



1 Align bolts, tighten lightly.

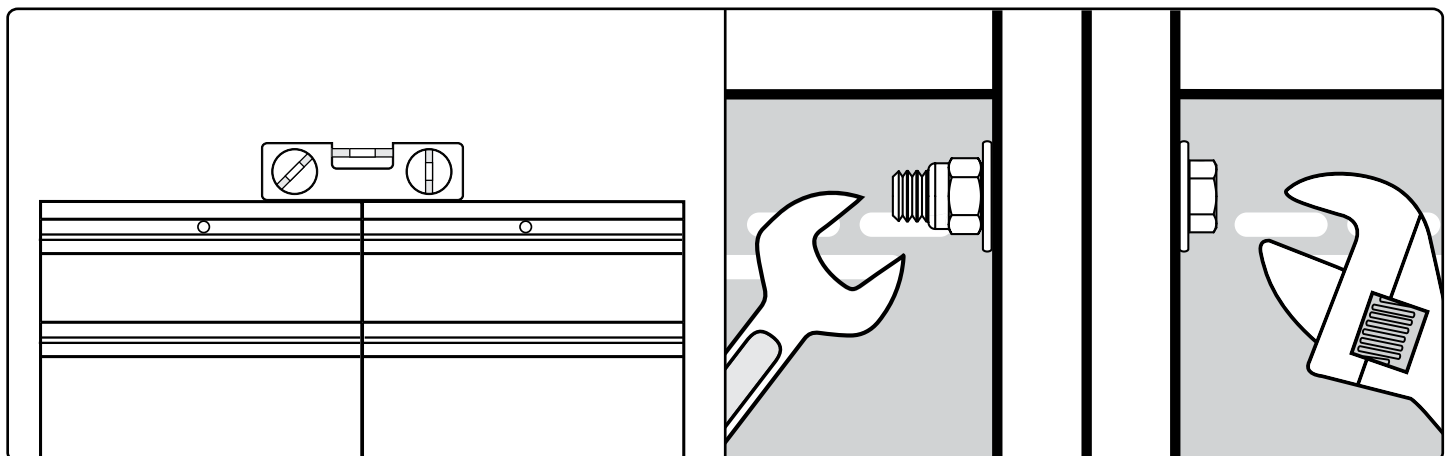


Note:

Remove all drawers before fastening cabinets.

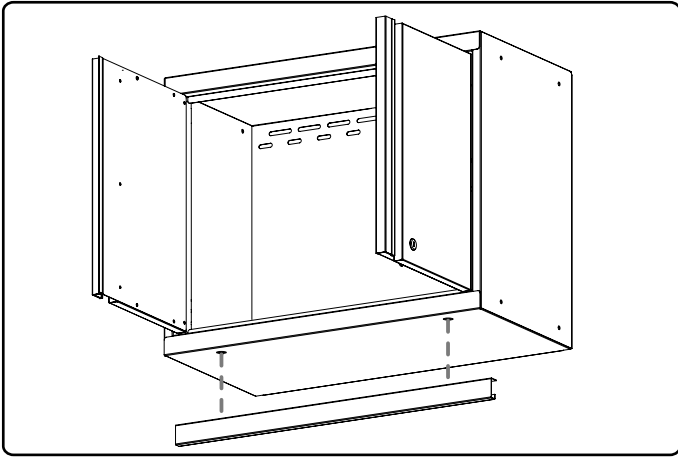
X4

2 Level cabinets and tighten all bolts.

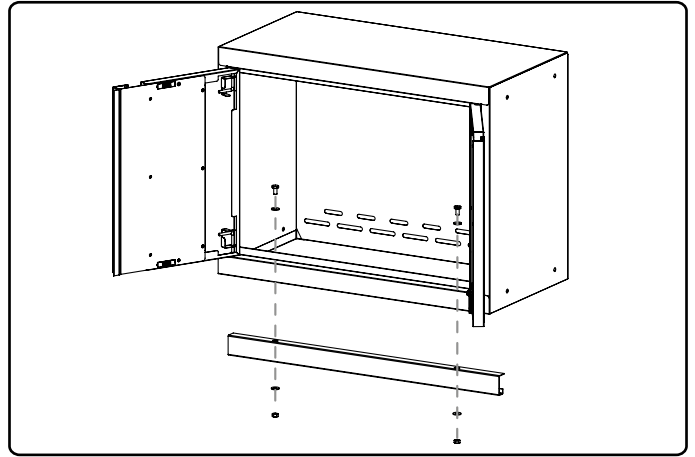


Attaching Light Valance to Wall Cabinet

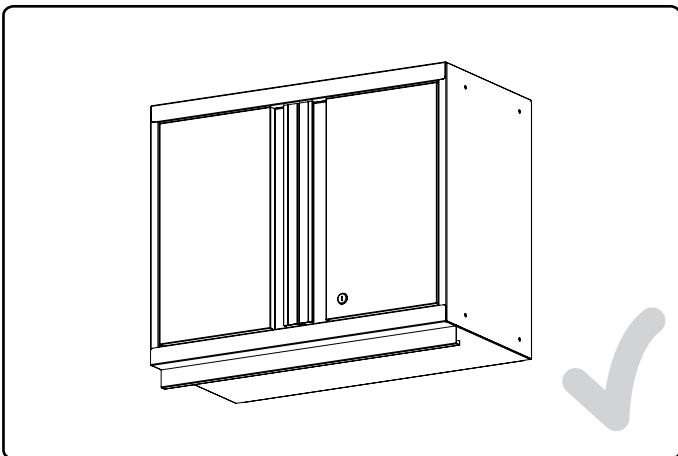
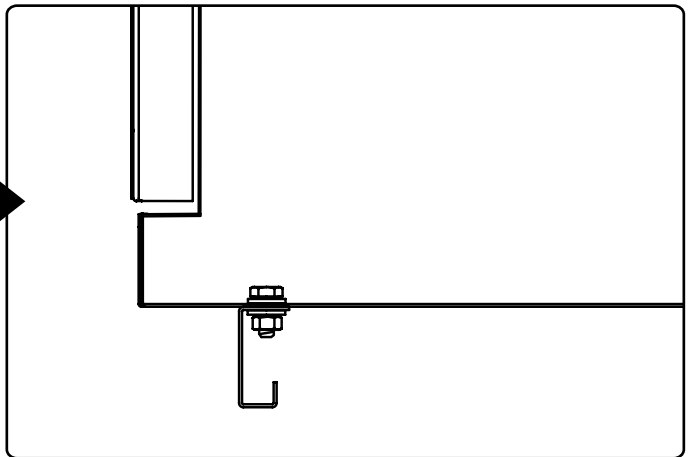
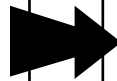
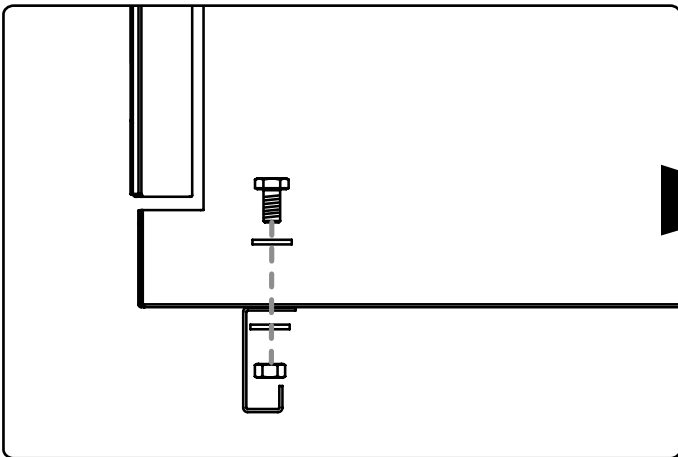
1 Align holes of valance with cabinet.



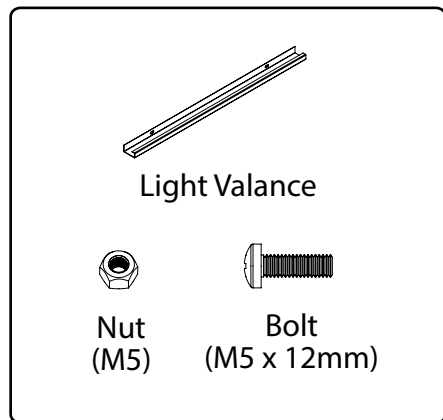
2 Insert and tighten bolt and nuts.



3 Cross Section View

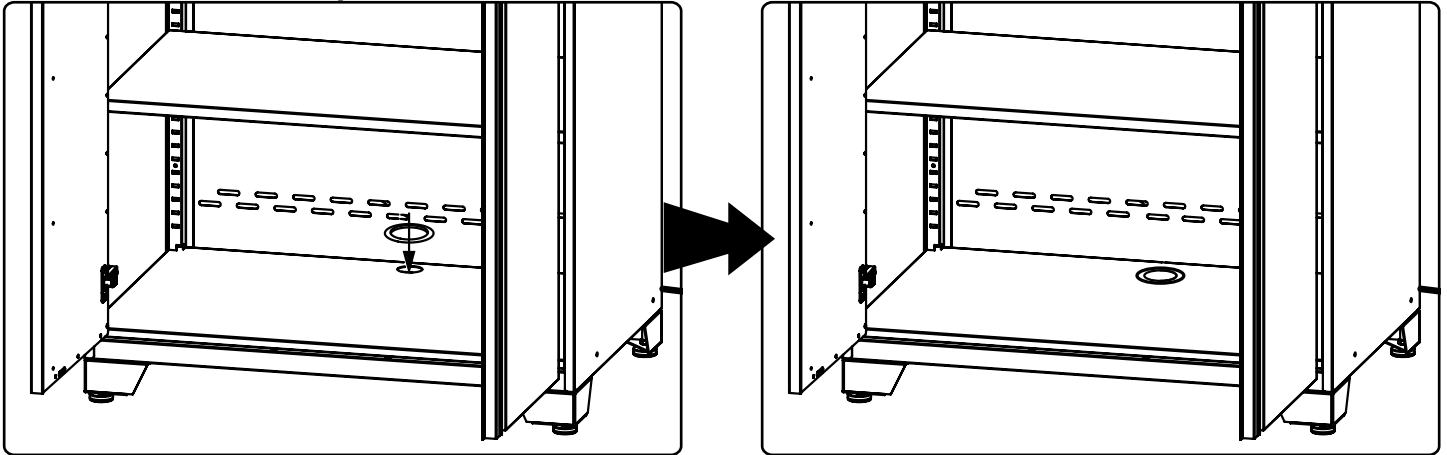


i Parts Needed.

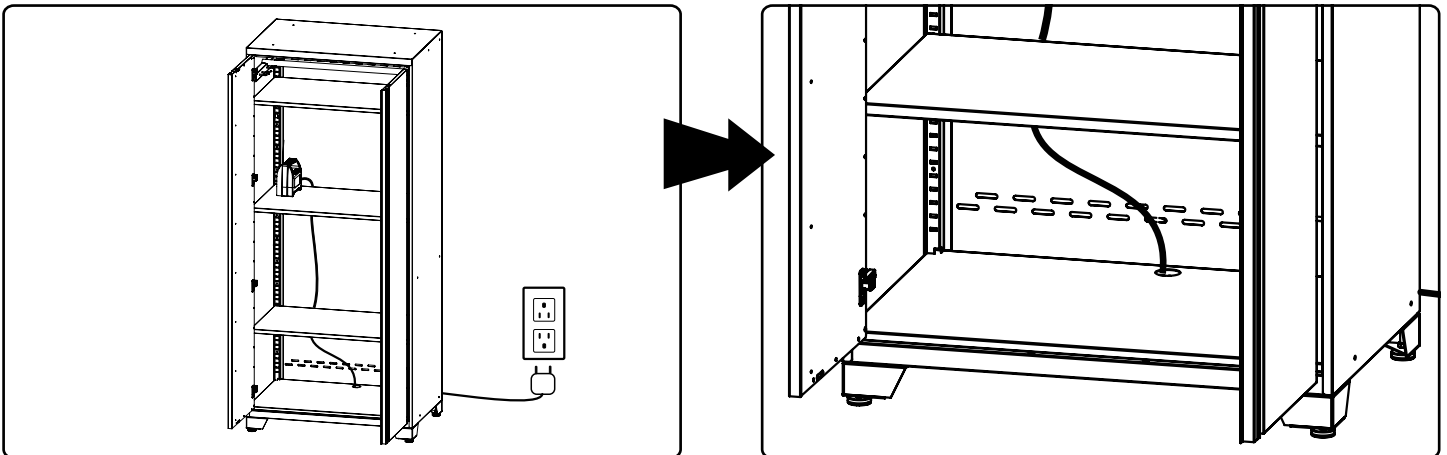


Utility Access

- 1 Insert rubber grommet into cut-out hole in bottom panel.



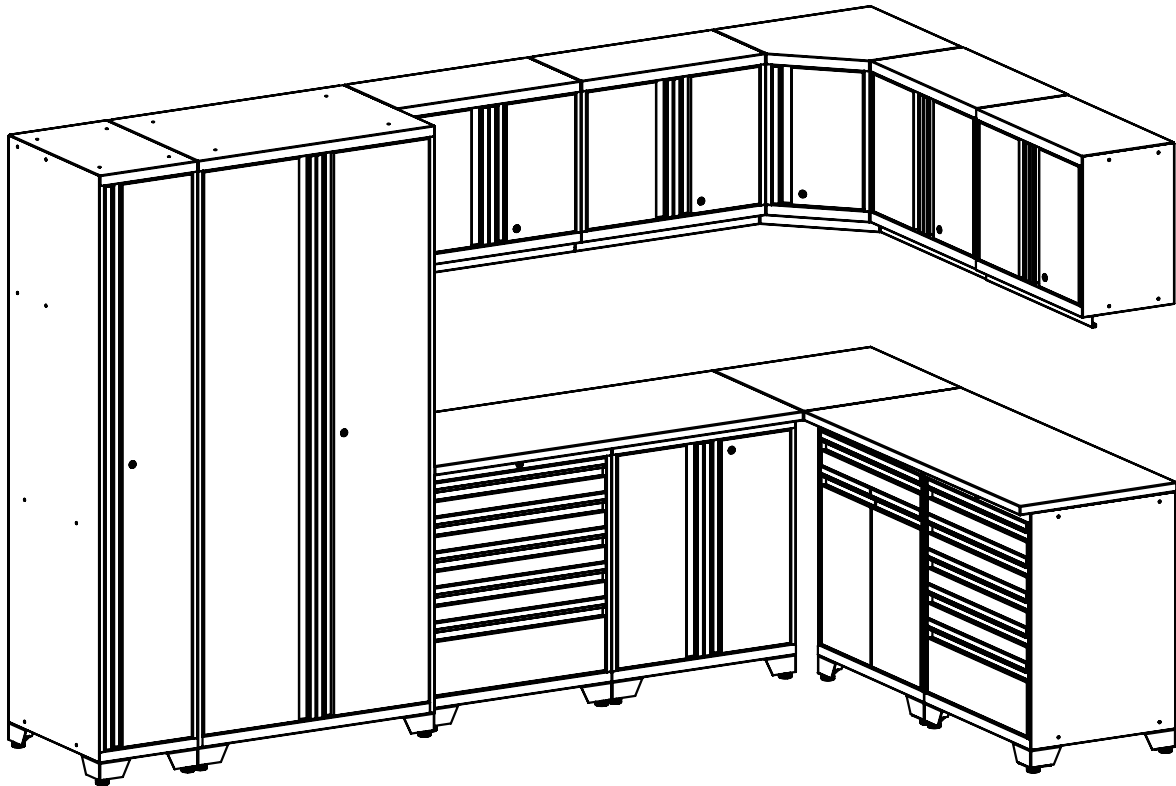
- 2 Utility hole allows easy access to electrical outlet



Thank you for purchasing a NewAge Product!

Please give us a call or visit online if you have any questions.

Call 1.877.306.8930; for UK 0800.031.4069; e-mail at info@newageproducts.com



Série Pro 3.0



AVERTISSEMENT: RISQUE DE POIDS EXCESSIF!

Déplacer, assembler ou installer les armoires et armoires-vestiaires avec l'aide de deux personnes ou plus. Dans le cas contraire, il pourrait en découler des blessures au dos ou autre. Ne pas laisser les enfants sans surveillance près des armoires. Risque élevé de basculement si les armoires ne sont pas installées correctement : Fixer solidement les armoires au mur pour éviter des blessures graves. Pour obtenir de l'aide, composer le 1.877.306.8930; au R.-U., composer le 0800.031.4069; ou envoyer un courriel à l'adresse info@newageproducts.com.



ATTENTION:

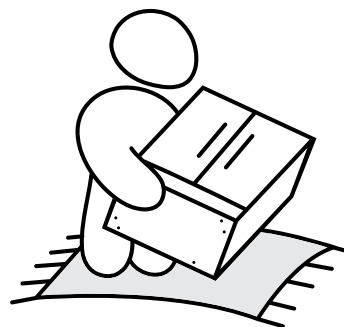
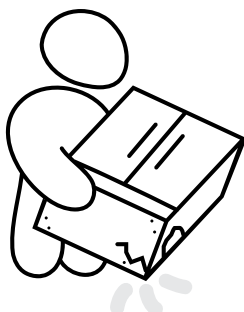
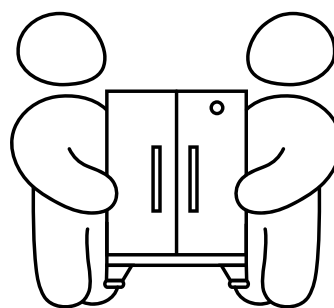
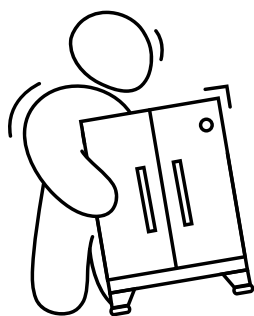
Est votre armoire endommagée?
Avez vous besoin d'aide ou de pièces de rechange? Contactez
NewAge Products a 1-877-306-8930; ou
support@newageproducts.com.
Ne pas retourner au détaillant.

INDEX

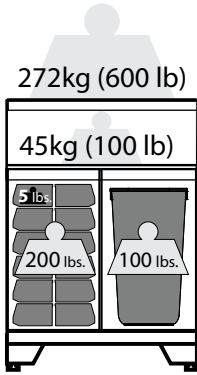
| | |
|---|--|
| Index - 2 | Montage du plan de travail (sur 2 armoires) - 12 |
| Capacités poids - 3 | Installation de triangles de vêtements -13 |
| Pièces fournies- 4 | Insertion des étagères d'armoires - 14 |
| Outils nécessaires - 5 | Assemblage des armoires (cloison sèche et cloison creuse a colombage) -15 |
| Garantie- 5 | Fixation des armoires sur mur (Facultatif) - 16-19 |
| Installation des pieds - 6 | Fixation des armoires sur une paroi à lattes- 20-21 |
| Installation des roulettes- 7 | Raccord des armoires - 22 |
| Installation des tiroirs - 8 | Fixer le cache-néon à l'armoire murale - 23 |
| Installation d'armoire de coin- 9 | Trous d'accès - 24 |
| Emboîtement des armoires - 10 | |
| Installation du palier de support latéral du plan de travail - 11 | |

Déballage

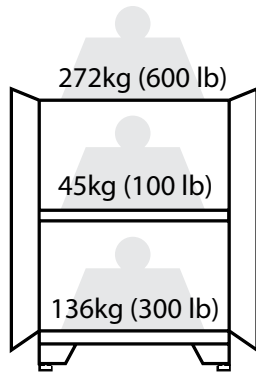
- Commencer par placer la boîte sur une surface plate recouverte.
- Retirer tout le carton, le matériel d'emballage en mousse et les sacs en plastique transparent.
- Mettre au rebus ou recycler tous les matériaux d'emballage.
- Vérifier tout le contenu de la boîte et rassembler les outils nécessaires. Voir Pièces fournies et Outils nécessaires ci-dessous.



Capacité de poids



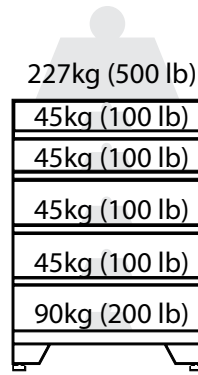
Armoires séparée
Max. 453,6kg 1000lb



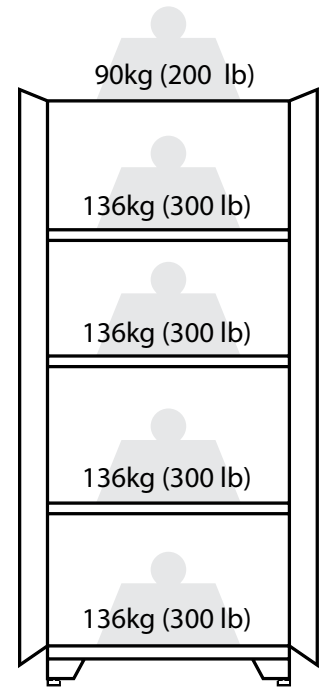
Armoires sur plancher
Max. 453,6kg 1000lb



Armoires murales
Max. 90kg 200lb



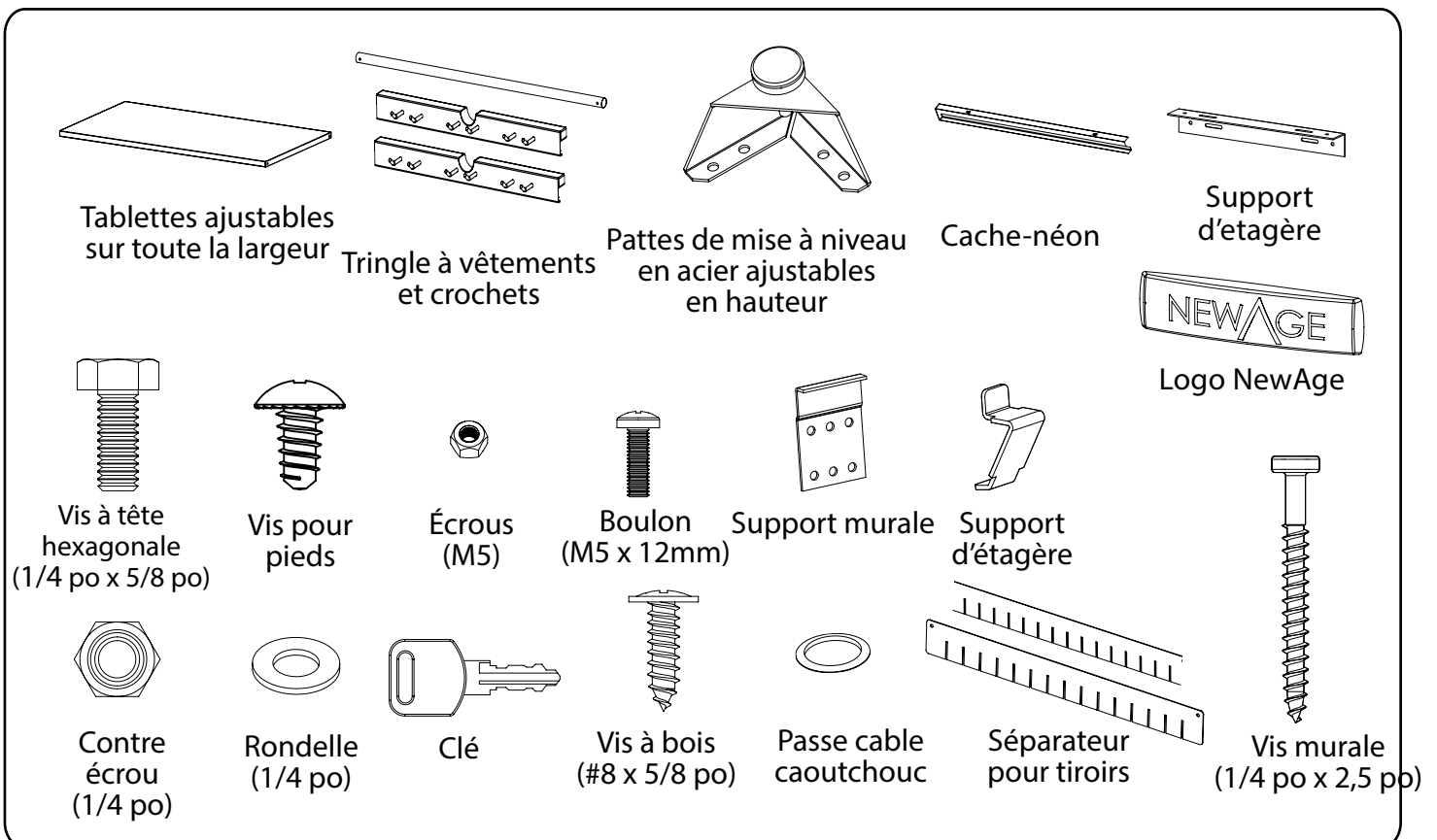
Armoires à outils
Max. 453,6kg 1000lb



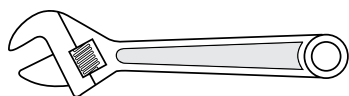
Armoires-vestiaires
Max. 453,6kg 1000lb

Pièces fournies

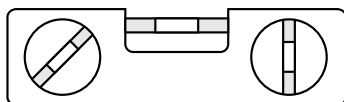
| | Armoire sur plancher | Tiroir à outils | Armoire-vestiare | Armoire murale | Armoire-vestiare étroite | Armoire séparée | Mur de coin |
|--|----------------------|-----------------|------------------|----------------|--------------------------|-----------------|-------------|
| Pattes de mise à niveau en acier ajustables en hauteur | 4 | 4 | 4 | 0 | 4 | 4 | 0 |
| Boulon a tete hexagonale(1/4 po x 5/8 po) tete hexagonale de 7/16 po | 4 | 4 | 10 | 4 | 10 | 4 | 4 |
| Contre-écrou hexagonaux(1/4 po) boulon à tête hexagonale de 7/16 po | 4 | 4 | 10 | 4 | 10 | 4 | 4 |
| Vis pour les pieds | 16 | 16 | 16 | 0 | 16 | 16 | 0 |
| Rondelle (1/4") | 12 | 12 | 26 | 12 | 26 | 12 | 10 |
| Vis à bois (#8 x 5/8 po) | 4 | 4 | 2 | 0 | 2 | 4 | 0 |
| Vis murale (1/4 po x 2,5 po)- vis à tête hexagonale de 7/16 po | 8 | 8 | 8 | 8 | 8 | 8 | 12 |
| Support du plan de travail | 0 | 0 | 1 | 0 | 1 | 0 | 2 |
| Tablettes ajustables sur toutes la largeur | 1 | 0 | 3 | 0 | 3 | 0 | 0 |
| Clès | 2 | 2 | 2 | 2 | 2 | 2 | 2 |
| Cache-neon | 0 | 0 | 0 | 1 | 0 | 0 | 1 |
| Boulons pour cache-neon | 0 | 0 | 0 | 2 | 0 | 0 | 2 |
| Ecrous pour cache-neon | 0 | 0 | 0 | 2 | 0 | 0 | 2 |
| Passe cable caoutchouc | 1 | 0 | 1 | 0 | 1 | 0 | 0 |
| Tringles à vêtements | 0 | 0 | 1 | 0 | 1 | 0 | 0 |
| Support de tringles à vêtements | 0 | 0 | 2 | 0 | 2 | 0 | 0 |
| Support murale | 2 | 2 | 2 | 2 | 2 | 2 | 3 |
| Support d'étagère | 0 | 0 | 1 | 0 | 1 | 0 | 2 |
| Separateurs de tiroirs long | 0 | 4 | 0 | 0 | 0 | 0 | 0 |
| Separateurs de tiroirs court | 0 | 8 | 0 | 0 | 0 | 0 | 0 |



Outils nécessaires



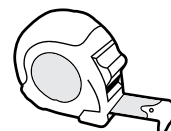
1 x clé ajustable



1 x vérin magnétique de 12 po



1 x localisateur de montants



1 x ruban à mesurer



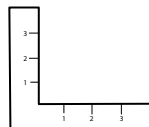
1 x cle a douilles de 7/16 po



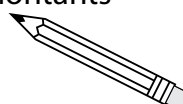
1 x cle a douilles de 8mm



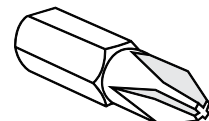
1 x douille de 7/16 po



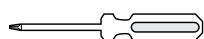
1 x équerre à dessin



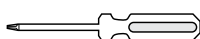
1 x crayon



1 x tournevis Phillips #2



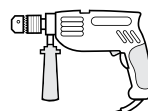
1 x tournevis cruciforme Phillips #2



1 x tournevis cruciforme Phillips #3



1 x perceuse mécanique sans fil



1 x marteau perforateur



1 x meche à maçonnerie

[facultatif pour la maçonnerie]

Garantie à vie limitée du fabricant

Lorsque ce produit est installé, utilisé et entretenu conformément aux instructions ci-jointes ou fournies avec le produit, NewAge Products Inc. remplacera les pièces ou le produit défectueux advenant que ceux-ci découlent d'un défaut de matériel ou de fabrication pendant la durée de vie du produit.

NEWAGE PRODUCTS INC. N'ASSUMERA PAS LES COÛTS SUIVANTS :

1. Les appels de service pour corriger l'installation de tout produit NewAge ou pour vous montrer comment les utiliser ou les installer.
2. Les dommages causés par une manutention ou une expédition inadéquate du produit, ou des produits endommagés par un accident, une mauvaise utilisation, un abus, un incendie, une inondation, une installation inadéquate, un cas fortuit, une négligence, la corrosion, une modification ou une mauvaise manipulation.
3. Les produits endommagés en raison d'une charge supérieure au poids maximum précisé dans les instructions fournies avec le produit.
4. Les réparations ou le remplacement lorsque votre produit est utilisé pour un autre usage que celui d'un ménage unifamilial normal, comme un milieu commercial ou d'une façon non conforme aux directives d'installation incluses avec le produit.
5. Les dommages cosmétiques, y compris les éraflures, les marques, les entailles ou les fissures dans la peinture qui n'affectent pas la capacité fonctionnelle ou structurelle du produit.
6. Les surfaces endommagées en raison d'une interaction chimique entraînant la corrosion de la peinture ou du métal.
7. Les pièces de rechange pour des produits NewAge à l'extérieur du Canada et des États-Unis.
8. Les clés ou mécanismes de verrouillage de rechange.
9. La perte des produits y étant contenus en raison d'un vol, d'un incendie, d'une inondation, d'un accident ou de cas fortuits.
10. Les frais d'expédition ou de transport pour livrer les produits de rechange ou pour retourner des produits défectueux.
11. Tout coût de main-d'œuvre pendant la période de garantie limitée.

EXONÉRATION DE GARANTIES IMPLICITES; LIMITATION DE RECOURS

LES GARANTIES IMPLICITES, Y COMPRIS LES GARANTIES APPLICABLES DE QUALITÉ MARCHANDE OU DE CONVENANCE PRÉCISE, SONT EXCLUES DANS LA LIMITE OÙ LA LOI LE PERMET. TOUTE GARANTIE IMPLICITE QUI POURRAIT ÊTRE IMPOSÉE PAR LA LOI DOIT SE LIMITER À UN AN, OU À LA PÉRIODE LA PLUS COURTE PERMISE PAR LA LOI. CERTAINS ÉTATS AINSI QUE CERTAINES PROVINCES NE PERMETTENT PAS LES LIMITATIONS OU LES EXCLUSIONS SUR LA DURÉE D'UNE GARANTIE IMPLICITE DE QUALITÉ MARCHANDE OU DE CONVENANCE PRÉCISE. PAR CONSÉQUENT, IL EST POSSIBLE QUE LES LIMITATIONS OU EXCLUSIONS PRÉCITÉES NE S'APPLIQUENT PAS À VOUS. CETTE GARANTIE VOUS DONNE DES DROITS LÉGAUX PARTICULIERS ET VOUS POURRIEZ ÉGALEMENT DISPOSER D'AUTRES DROITS VARIANT SELON L'ÉTAT OU LA PROVINCE.

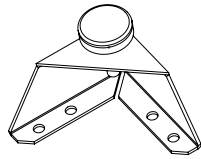
NEWAGE
PRODUCTS INC.

Installation des pieds

i Pièces nécessaires.

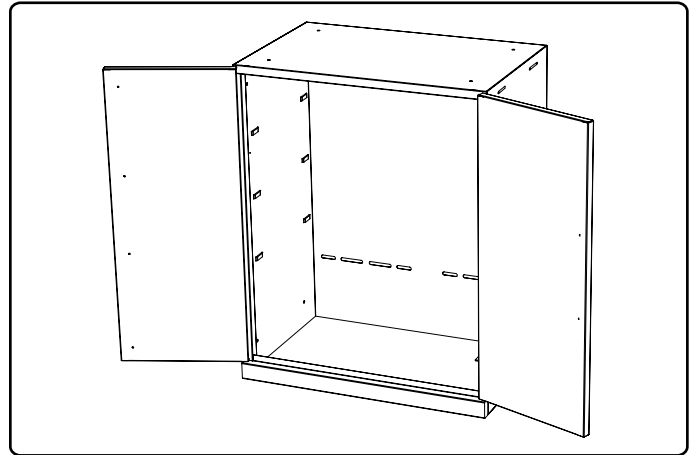


16 X Vis à sécurités

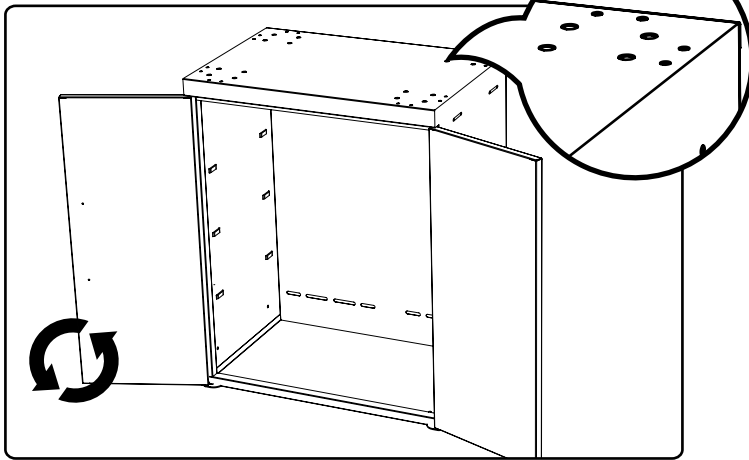


Pattes de mise à niveau
en acier ajustables
en hauteur

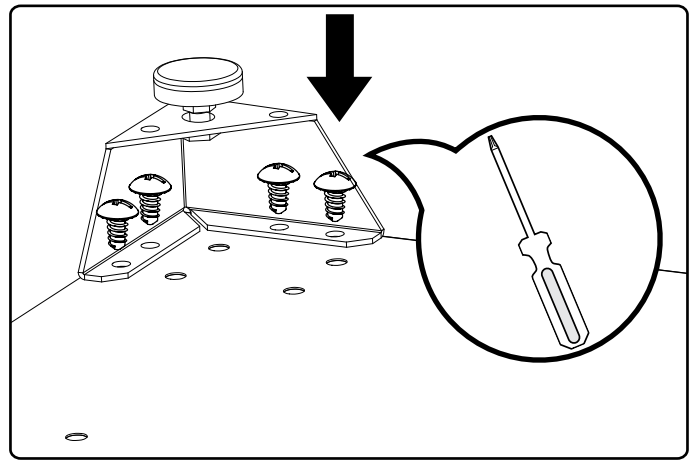
1 Ouvrir l'armoire et retirer les étagères ou les objets épars.



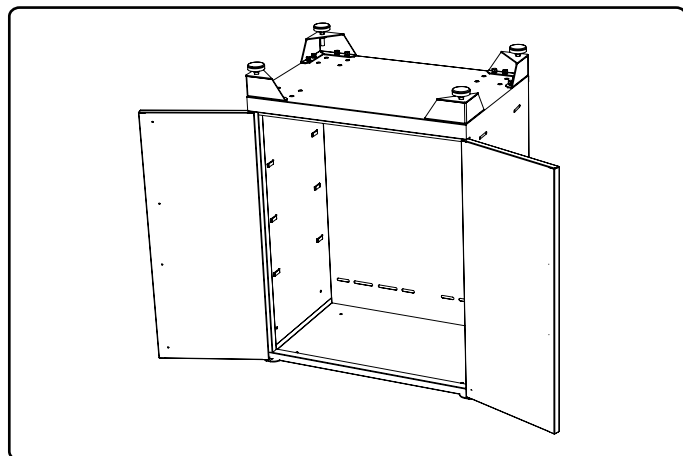
2 Retourner l'armoire et repérer les trous dans les coins.



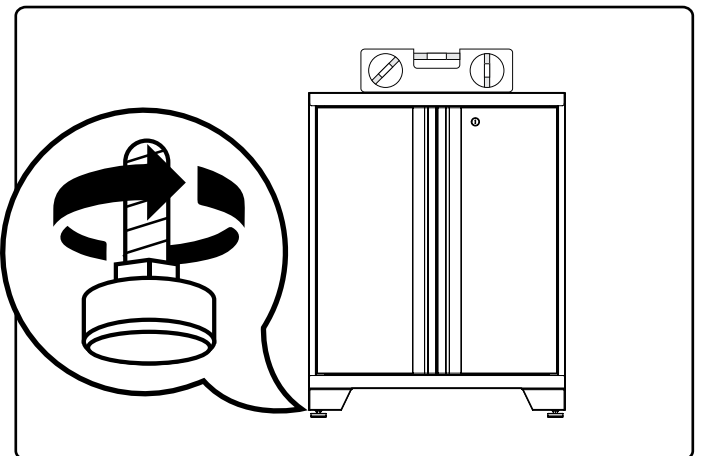
3 Aligner le pied sur le bord de l'armoire. Visser 4 vis à sécurités dans les trous.



4 Répéter l'étape 3 pour chaque coin.



5 Remettre à l'endroit et niveler.

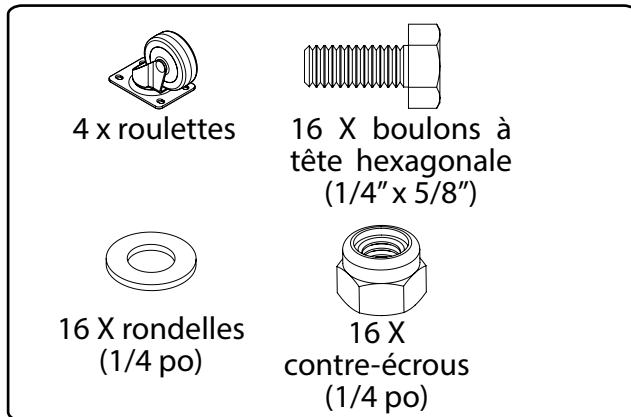


Installation des roulettes

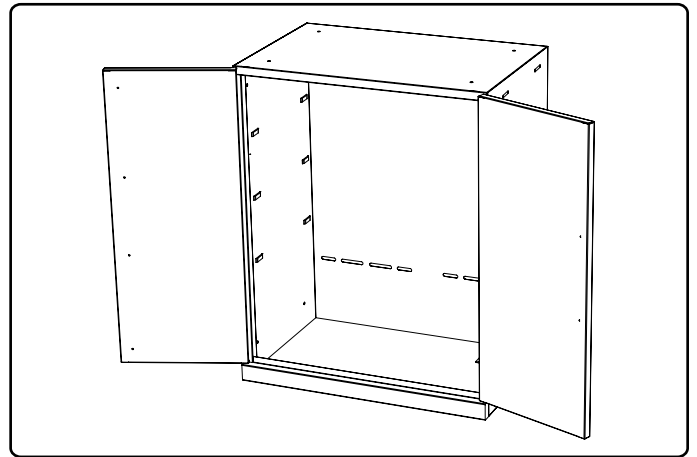
Remarque : Les roulettes sont vendues séparément.

shopnewage.com

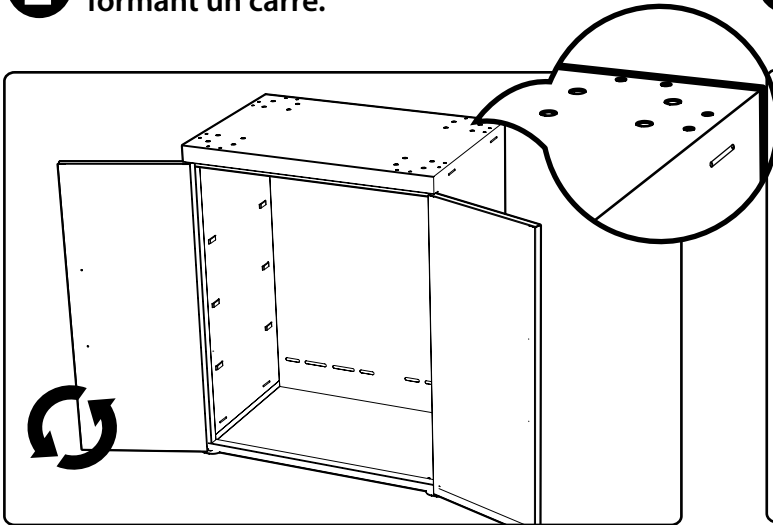
i Pièces nécessaires.



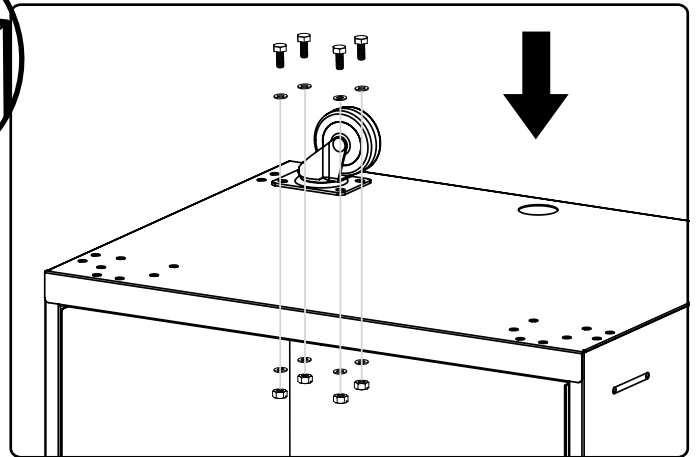
1 Ouvrir l'armoire et retirer les étagères ou les objets épars.



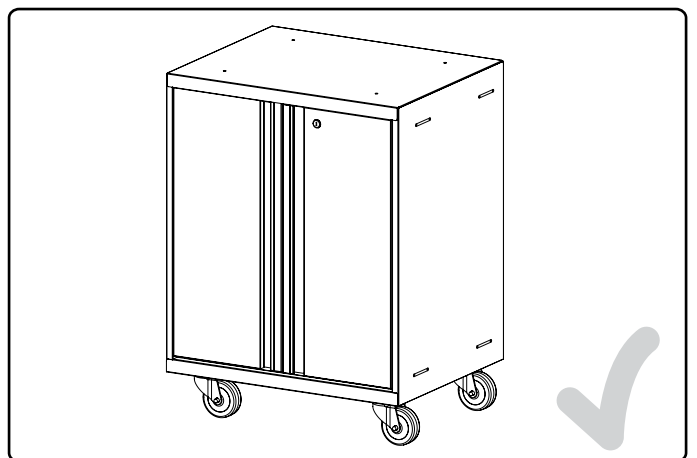
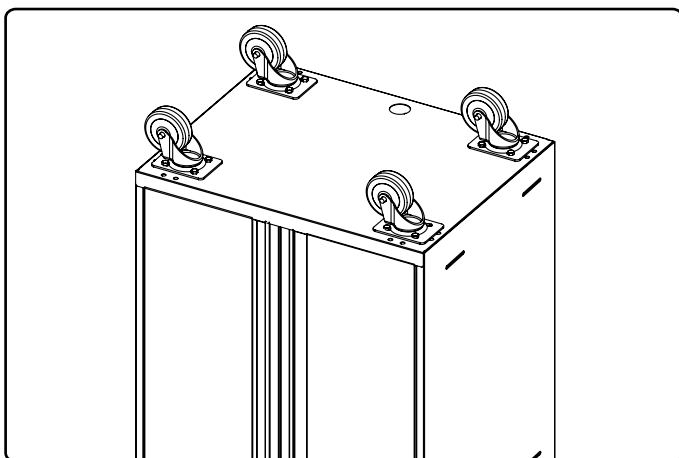
2 Retourner l'armoire et repérer les trous formant un carré.



3 Aligner le pied sur les trous. Fixer avec les 4 boulons à tête hexagonale, rondelles, rondelles de sécurité et écrous.

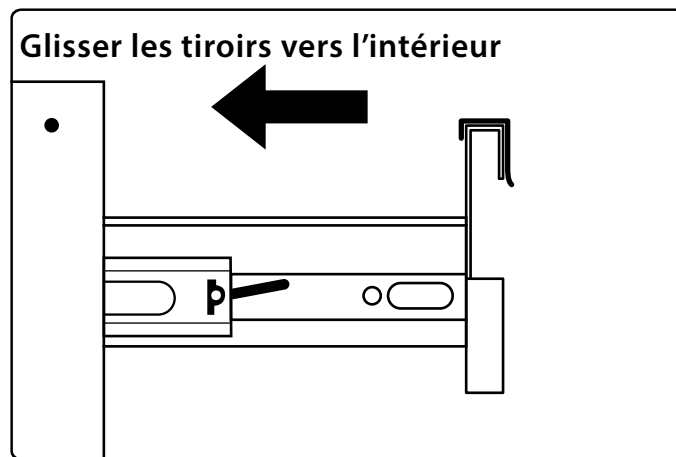
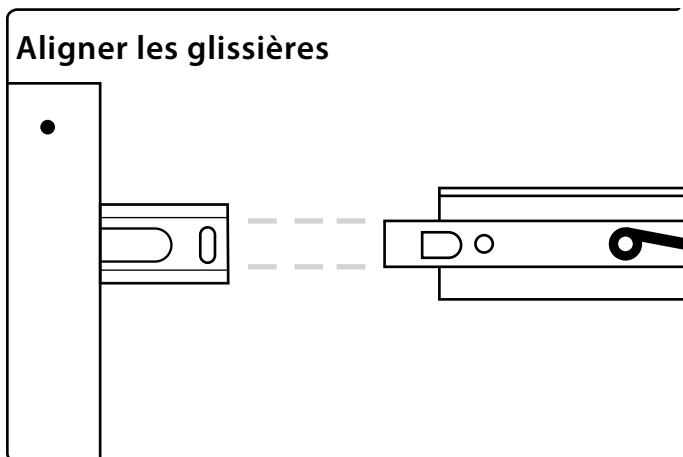


4 Répéter l'étape 3 pour chaque coin.

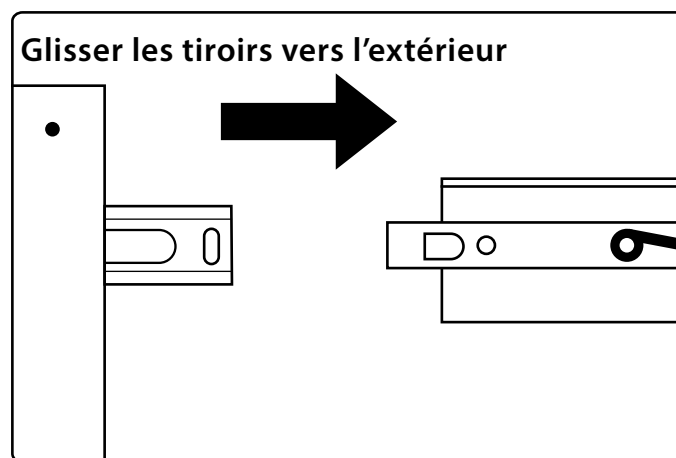
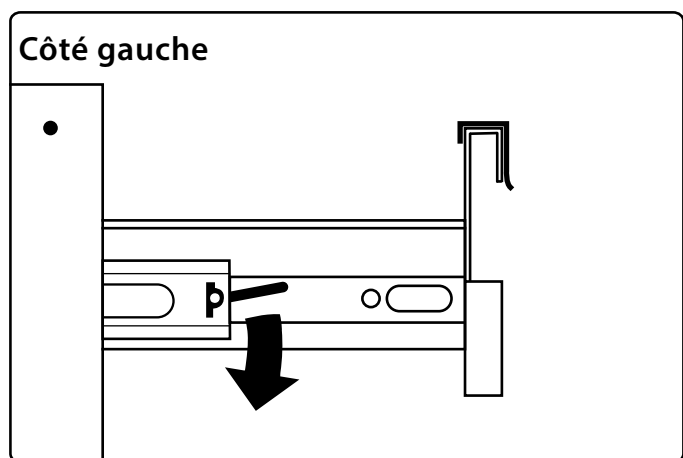
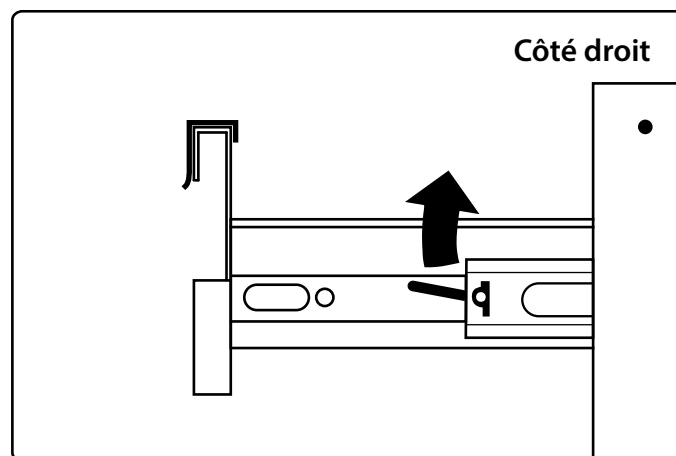
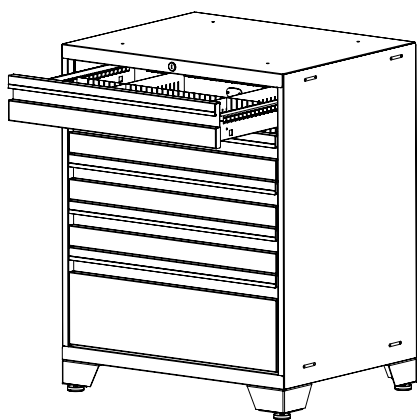


Installation des tiroirs

Insertion des tiroirs.



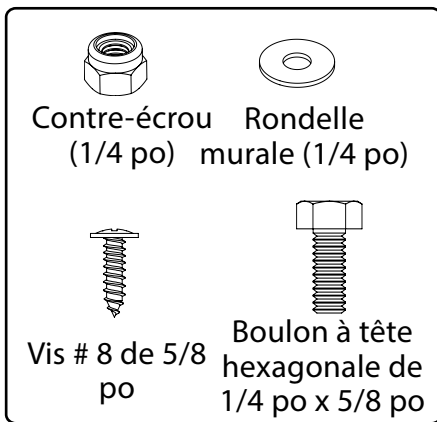
Enlèvement des tiroirs.



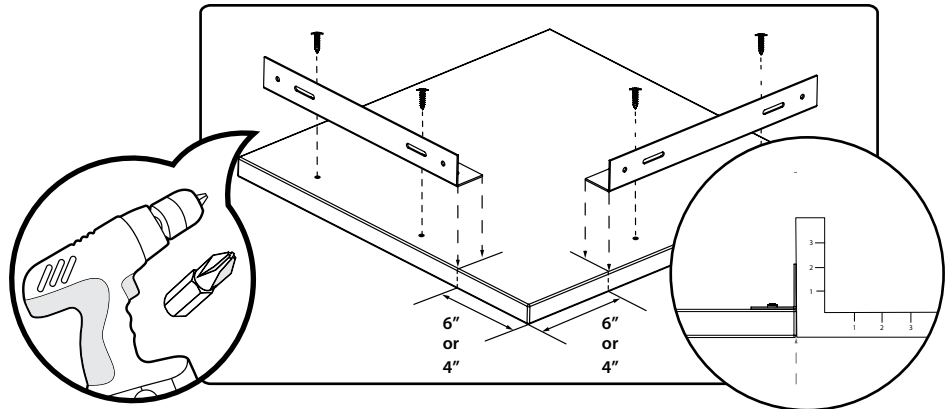
Installation des armoires de coin

Remarque : S'assurer d'avoir suffisamment de place pour l'assemblage. Les armoires ne doivent pas être assemblées près des coins d'armoire pour avoir accès à l'arrière des armoires.

i Pièces nécessaires.

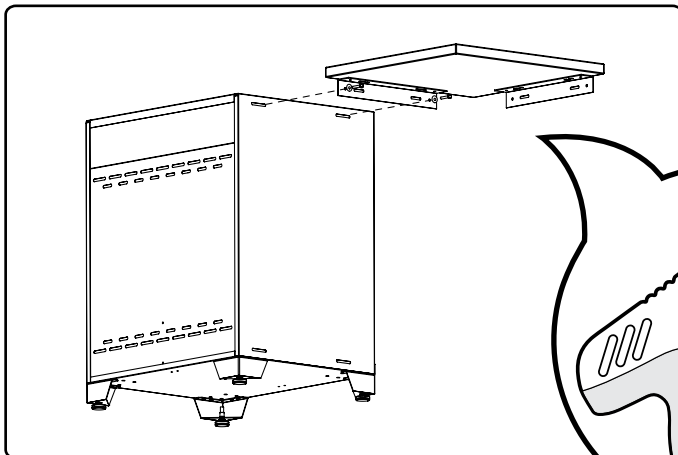


1 Sur les bords adjacents, fixer 2 supports à la face intérieure du dessus des coins d'armoire en utilisant les 4 vis #8 de 5/8 po fournies.

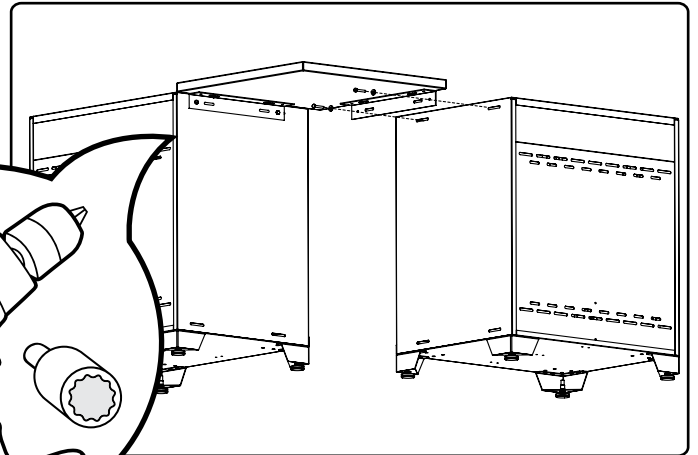


Important : Pour installer le dessus à niveau avec l'arrière de l'armoire, suivre l'étape A; pour l'installer à niveau avec l'avant de l'armoire, suivre l'étape B; et pour l'installer à niveau avec le bord, suivre l'étape C.

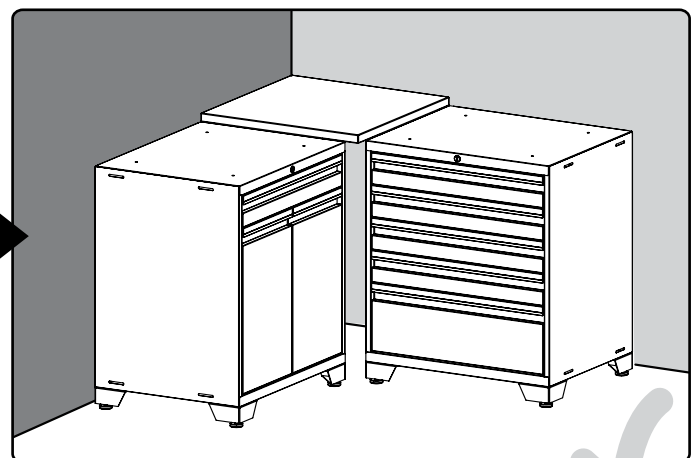
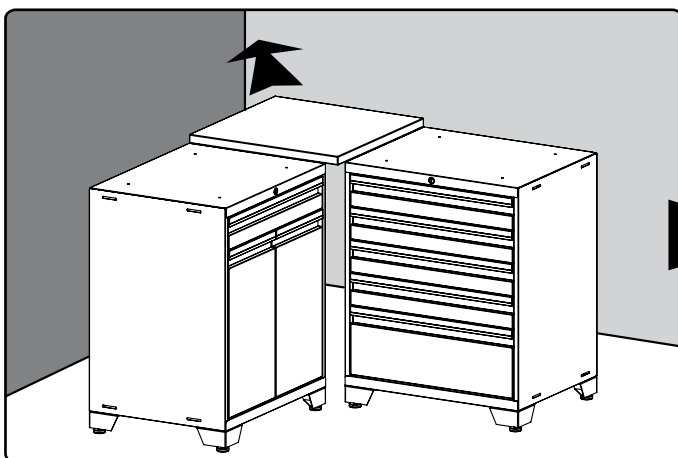
2 Fixer le dessus à une armoire en utilisant les boulons à tête hexagonale de 1/4 po x 5/8 po, les écrous et les rondelles.



3 Fixer la deuxième armoire à ce dessus.

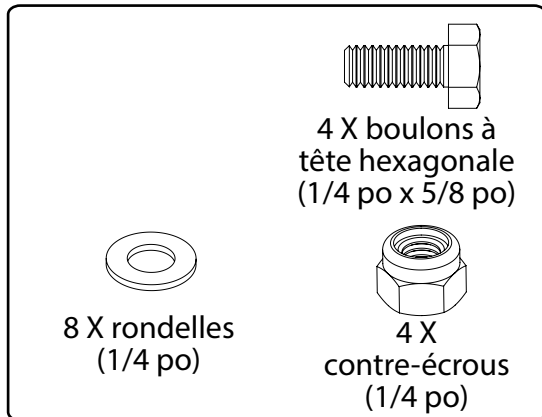


4 Faire glisser vers le coin et joindre le reste des armoires.

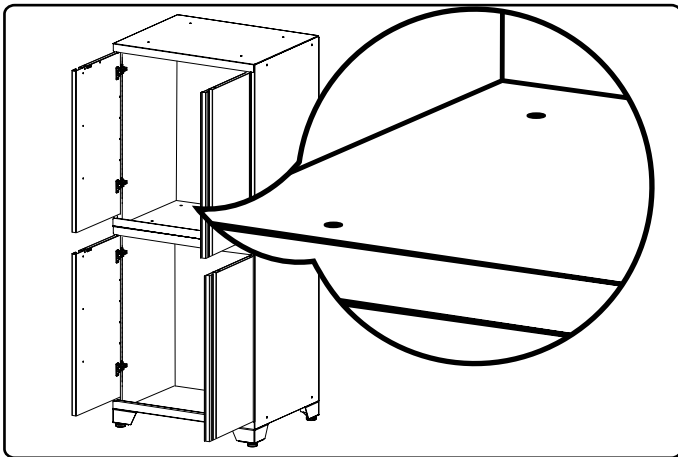


Emboîtement des armoires

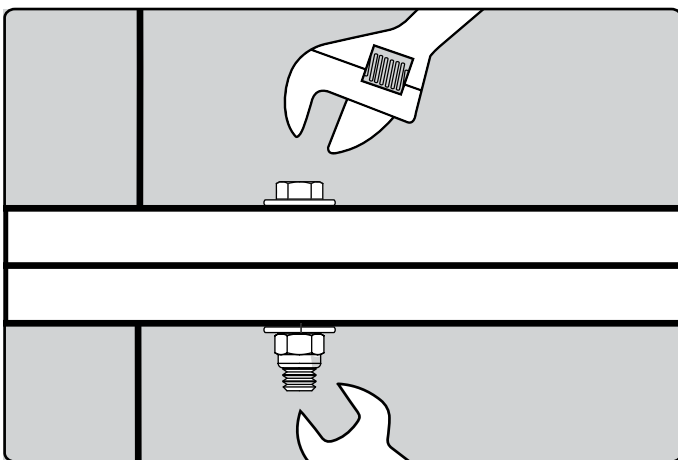
i Pièces nécessaires.



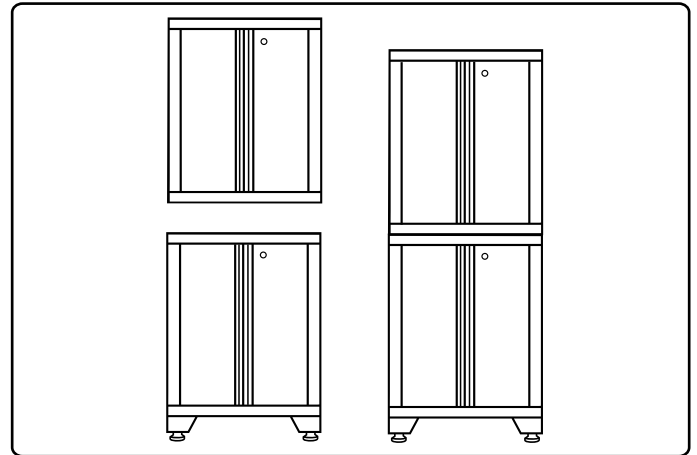
2 Repérer les trous prépercés sur la surface adjacente et insérer les boulons.



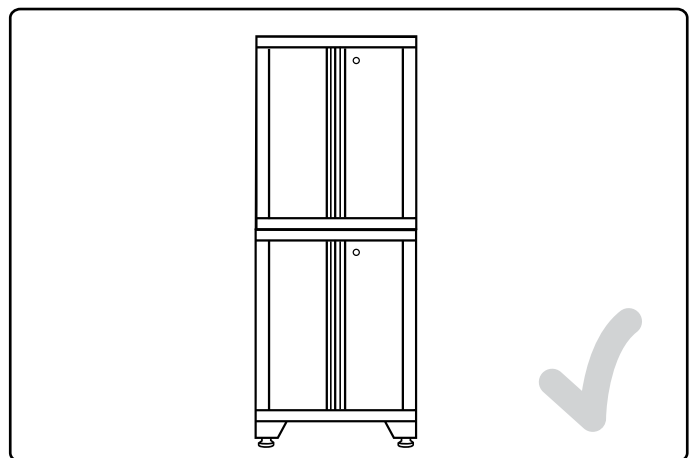
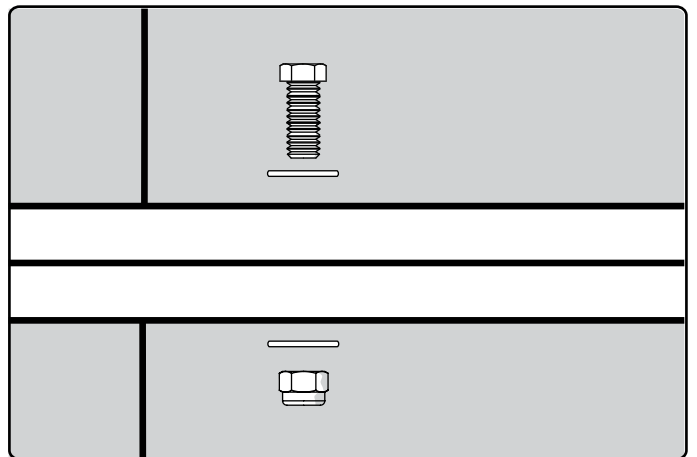
4 Serrer tous les boulons.



1 Positionner une deuxième armoire sur plancher sur le dessus de l'armoire sur plancher existante.



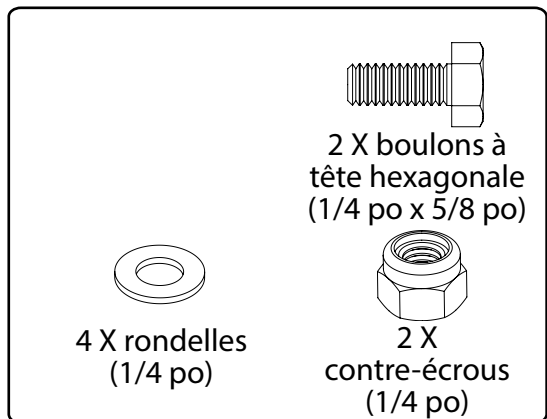
3 Fixer les armoires à l'aide des boulons à tête hexagonale de 1/4 po x 5/9 po, des rondelles et des écrous fournis.



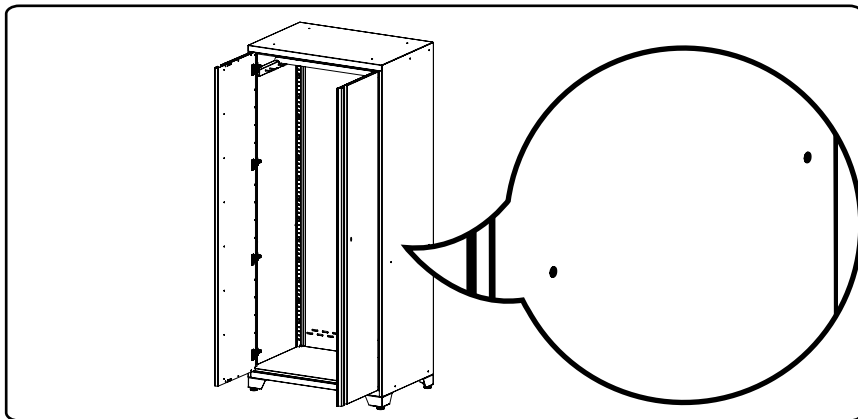
Installation du palier de support latéral du plan de travail

Remarque : Le palier de support est inclus avec l'armoire-vestiaire.

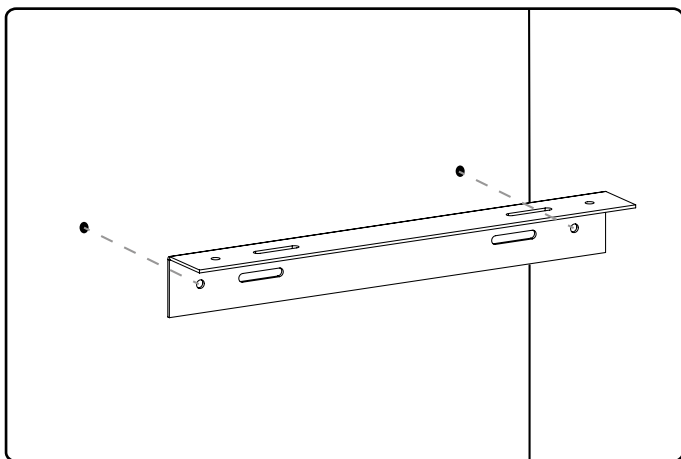
i Pièces nécessaires.



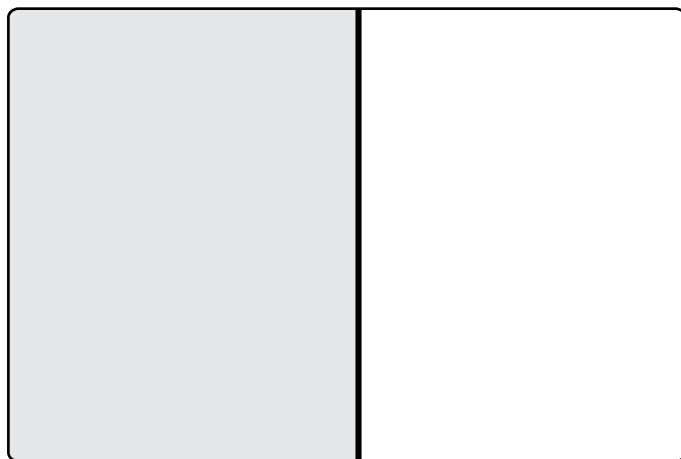
1 Ouvrir l'armoire-vestiaire et repérer les trous de chaque côté de l'armoire.



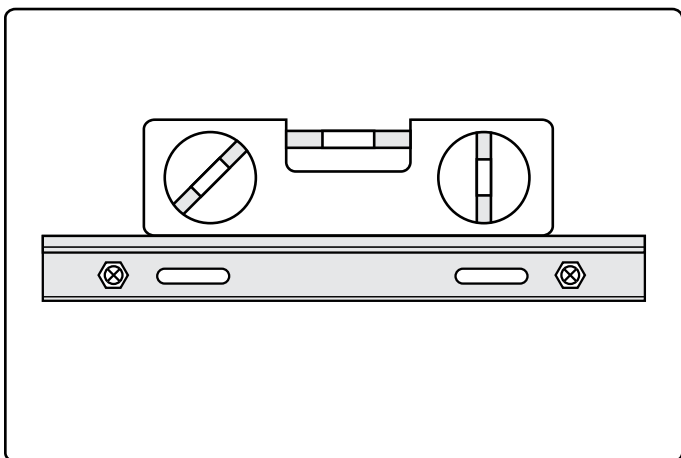
2 Aligner le support.



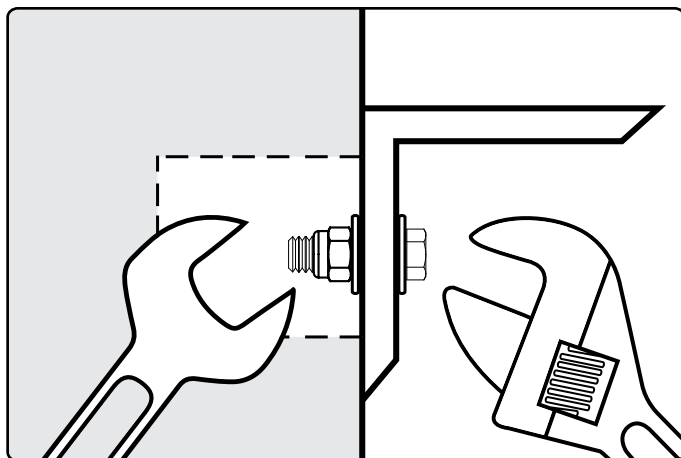
3 Serrer les écrous, boulons et rondelles de sécurité.



5 Mettre à niveau le support et s'assurer qu'il est à la même hauteur que l'armoire sur plancher.

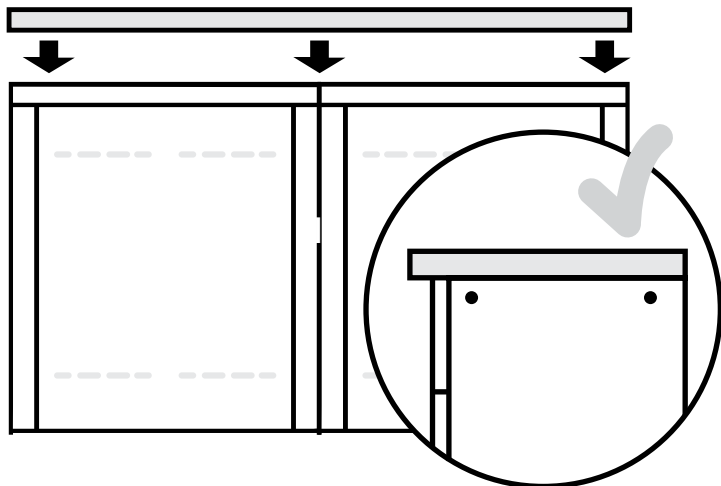


4 Serrer les écrous et boulons.

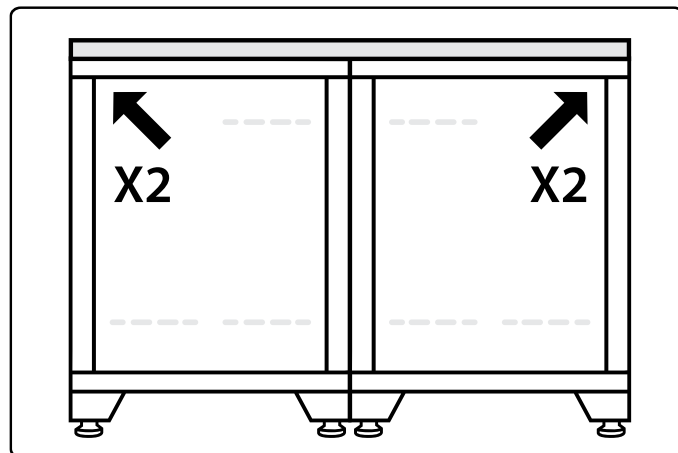


Montage du plan de travail (sur 2 armoires)

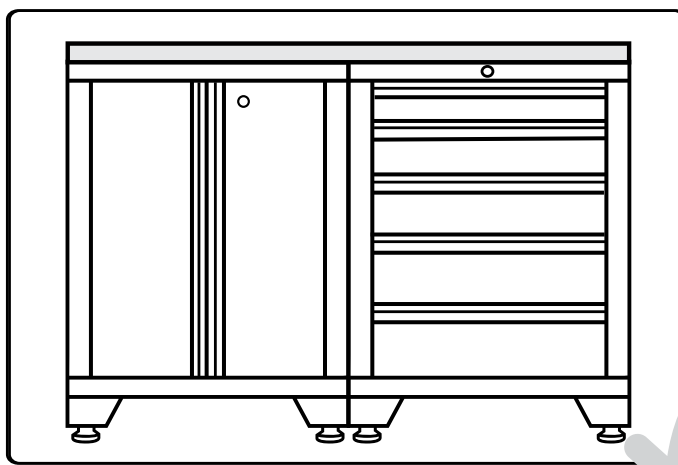
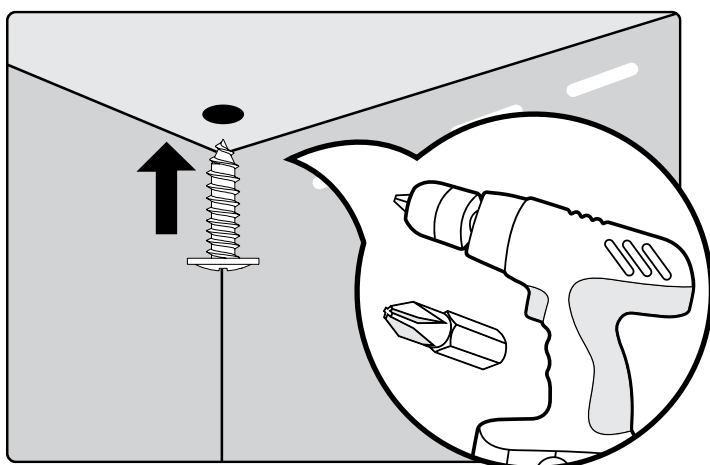
1 Placer le plan de travail sur les armoires.



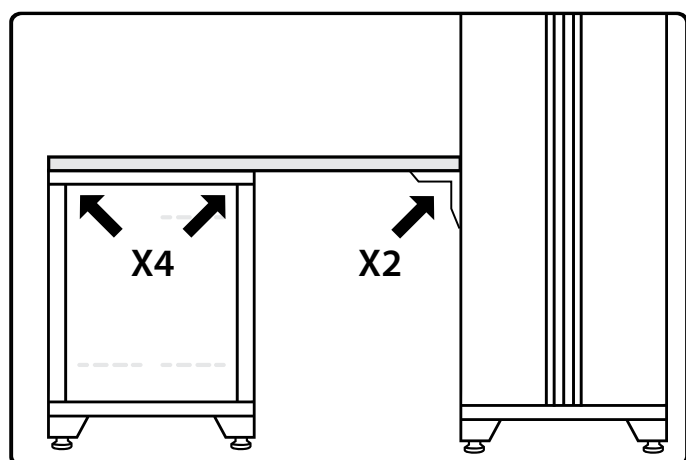
2 Repérer les 2 trous de fixation des deux côtés des armoires.



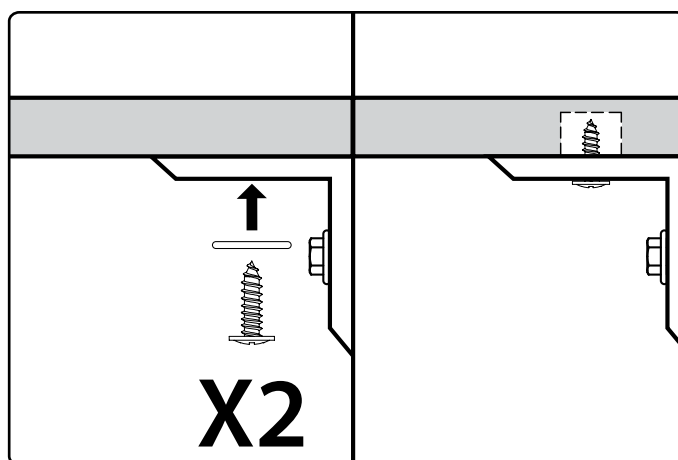
3 Percer le plan de travail à l'aide des vis à bois #8 x 5/8 po.



i Facultatif : Pour le palier de support de l'armoire-vestiaire.

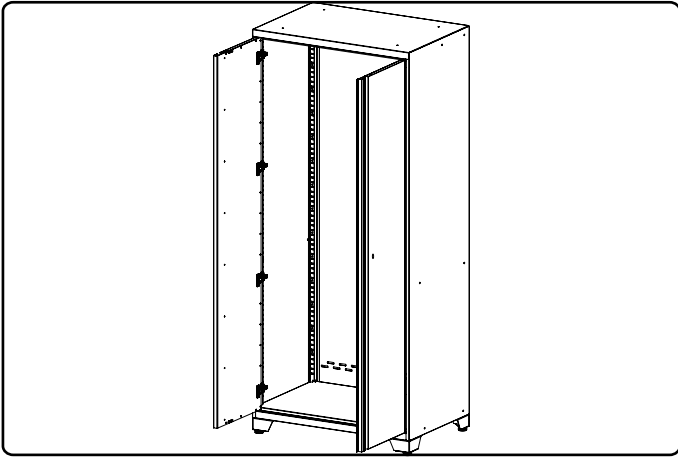


Utiliser 2 rondelles et vis à bois #8 de 5/8 po fournies dans l'emballage de l'armoire-vestiaire.

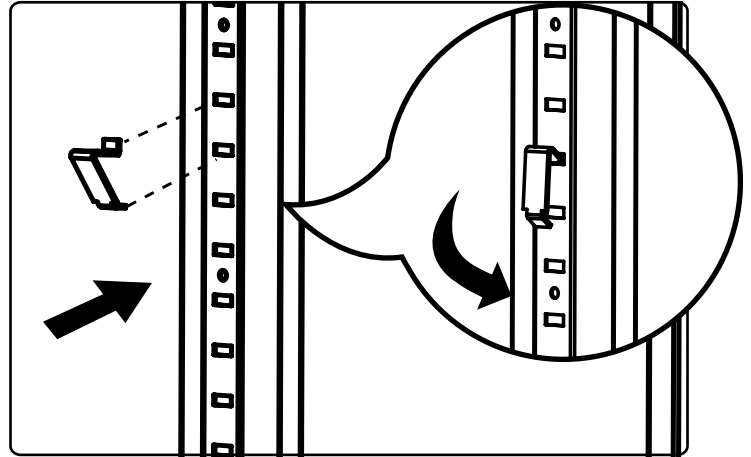


Insertion de la tringle et du portemanteau de l'armoire

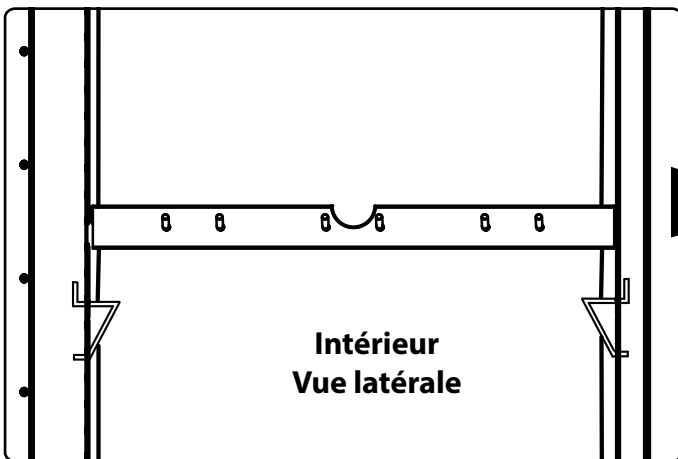
1 Ouvrir les portes de l'armoire.



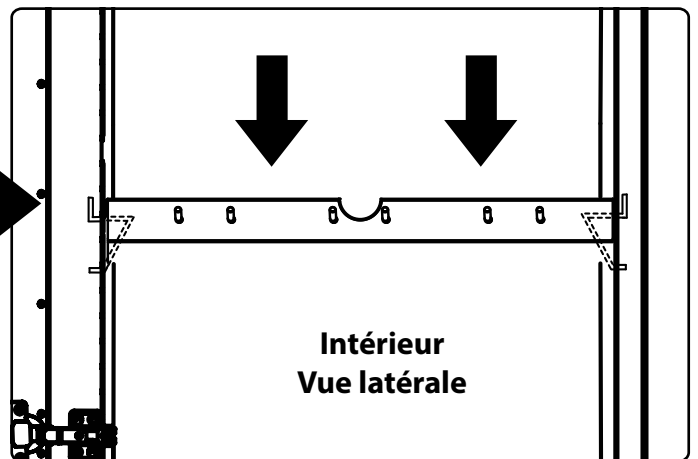
2 Insérer les agrafes dans les fentes situées dans les coins. Faire tourner pour enclencher.



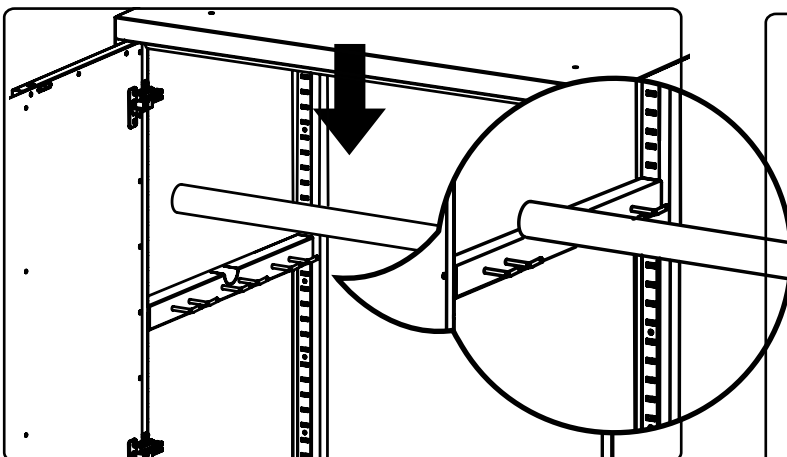
3 Placer le portemanteau contre le mur au-dessus des supports.



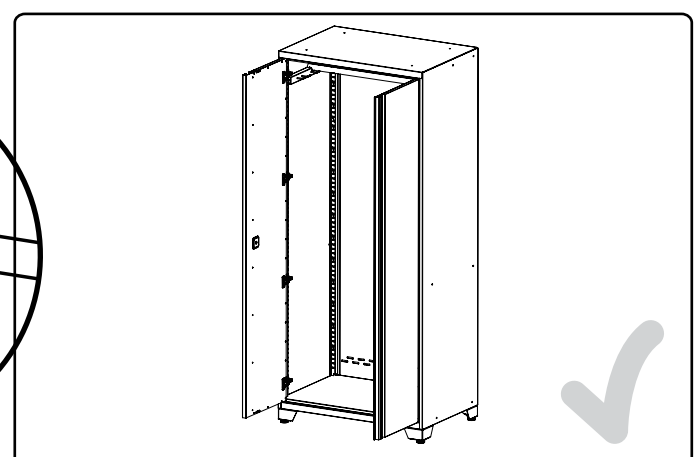
4 S'assurer que le rebord arrière glisse derrière les agrafes et que le support est bien fixé.



5 Abaisser la tringle et la mettre dans l'étrier.

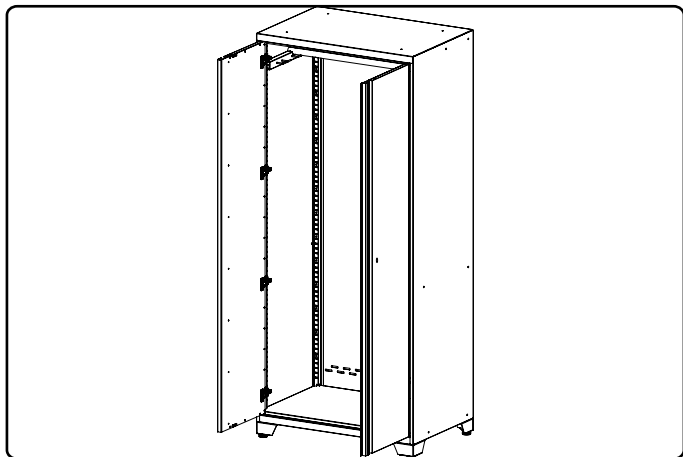


6

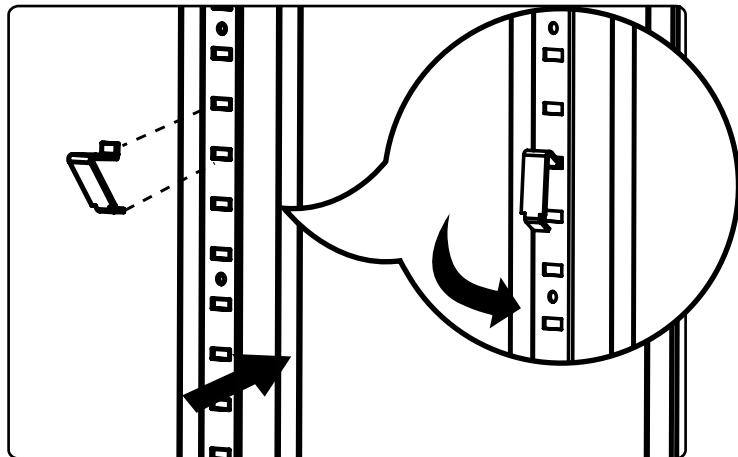


Insertion des étagères d'armoire

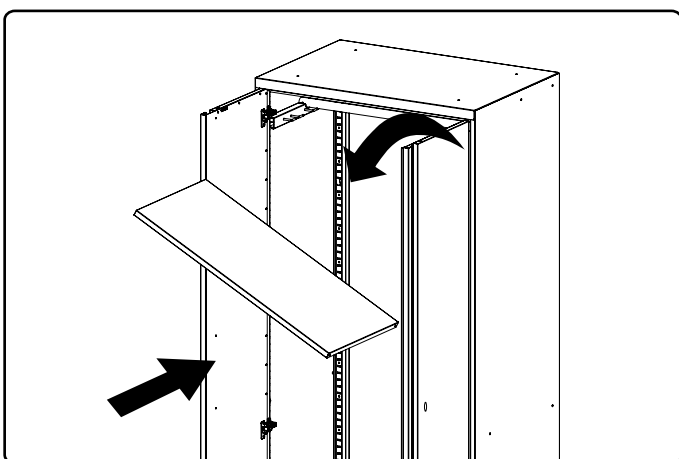
1 Relever l'armoire.



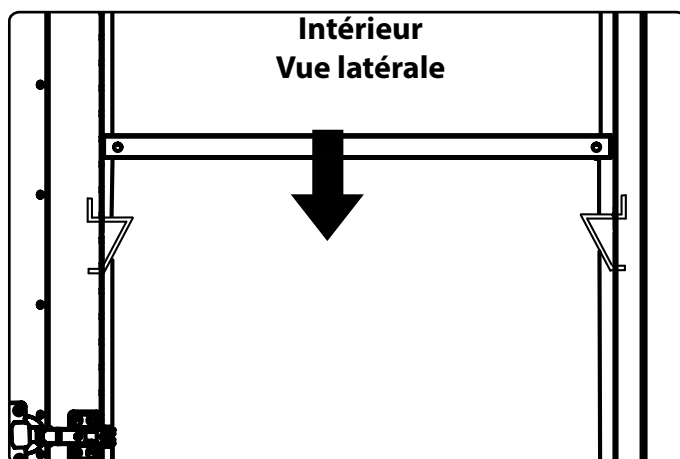
2 Insérer l'agrafe de l'étagère légèrement en biais et faire pivoter jusqu'à ce qu'elle soit à niveau.



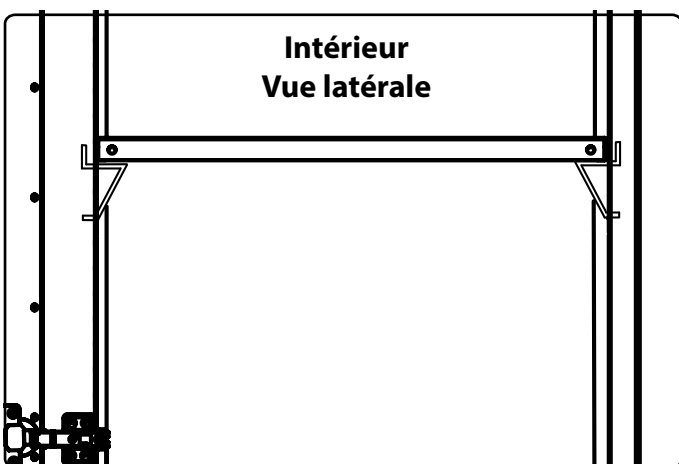
3 Insérer l'étagère en biais et faire pivoter jusqu'à ce qu'elle soit à niveau.



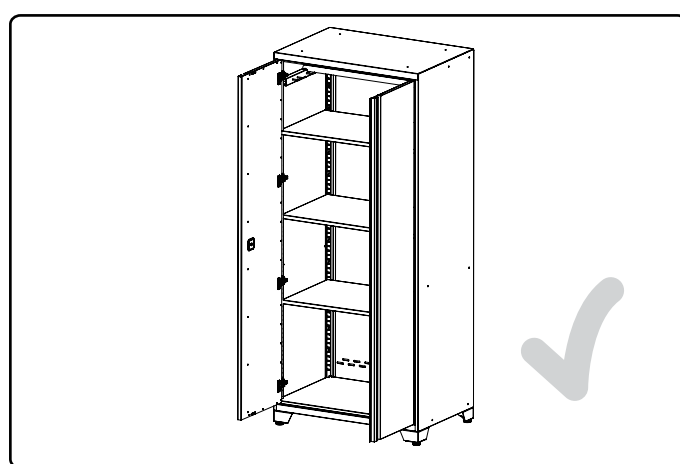
4 Abaisser l'étagère sur des supports.



5 Appuyer l'étagère sur des supports.



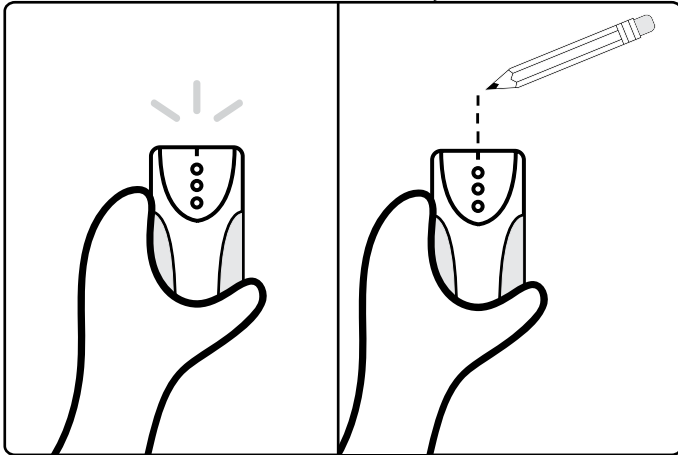
6 Insérer le reste des étagères.



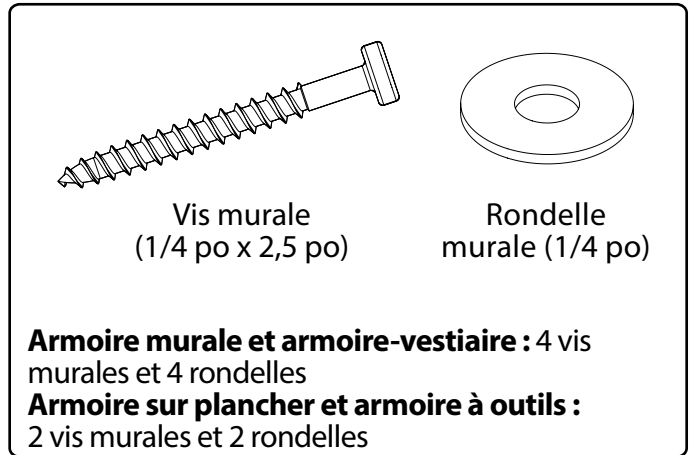
Assemblage des armoires

(cloison sèche et cloison creuse à colombage)

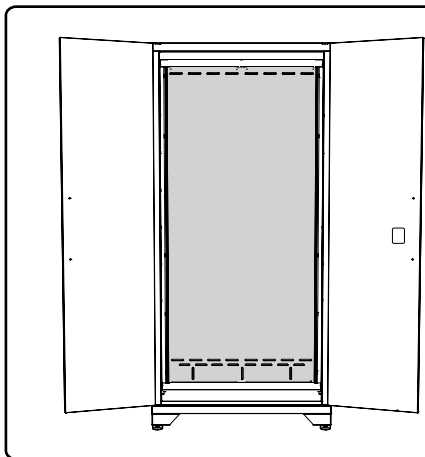
- 1** Utiliser le localisateur de montants pour repérer les montants et tracer une ligne sur la cloison avec un crayon.



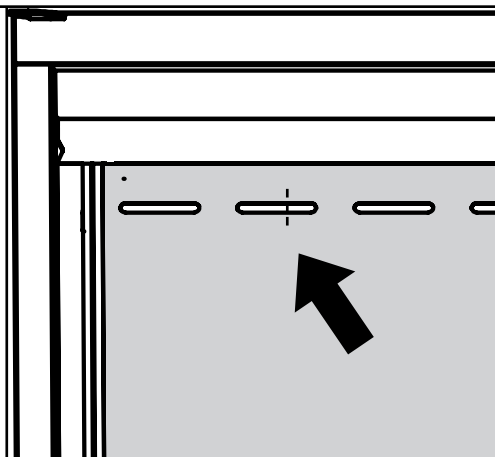
- 2** Rassembler les pièces.



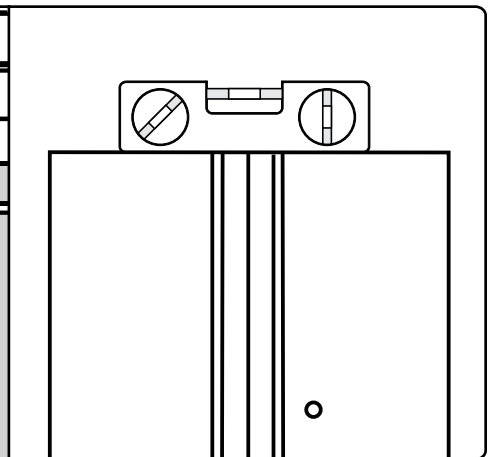
- 3** Bien appuyer l'armoire contre le mur.



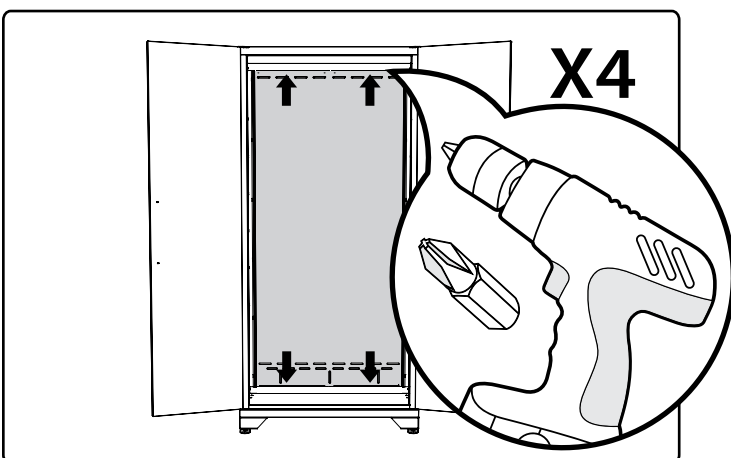
- 4** Aligner l'armoire sur les marques des montants.



- 5** Mettre l'armoire à niveau.



- 6** Percer 4 vis murales et rondelles dans les trous perforés des montants.

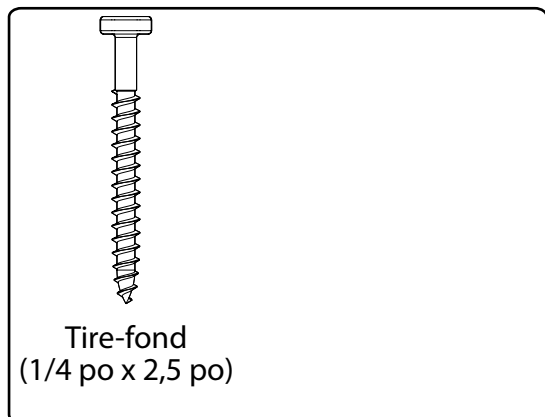


i Maçonnerie.

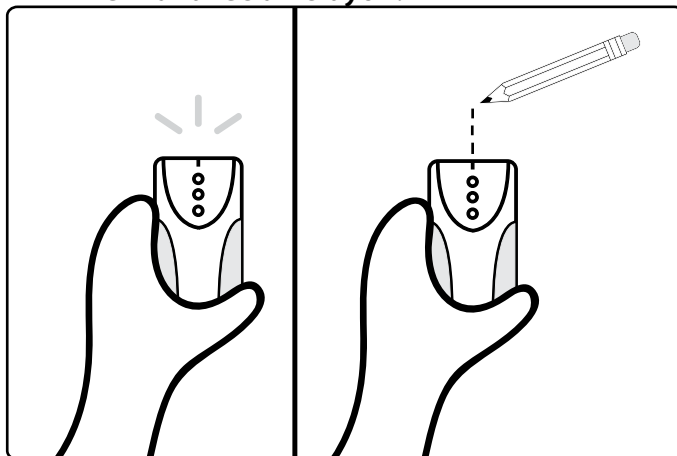
- Suivre les étapes 1 à 5.
- Percer 4 avant-trous dans la bande perforée avec le marteau perforateur et la mèche à maçonnerie.
- Fixer 4 x (2 1/4 po x 1/4 po) ancrages pour béton Tapcon (2 1/4 po x 1/4 po) dans le mur. (Non inclus)
- OU 4 x (#10 x 2 po) vis n° 10 x 2 po avec cheville de maçonnerie de 3/16 po. (Non inclus)
- Suivre l'étape 6.

Fixation des armoires au mur (facultatif)

i Pièces nécessaires.



1 Utiliser le localisateur de montants pour repérer les montants et faire une ligne sur le mur avec un crayon.

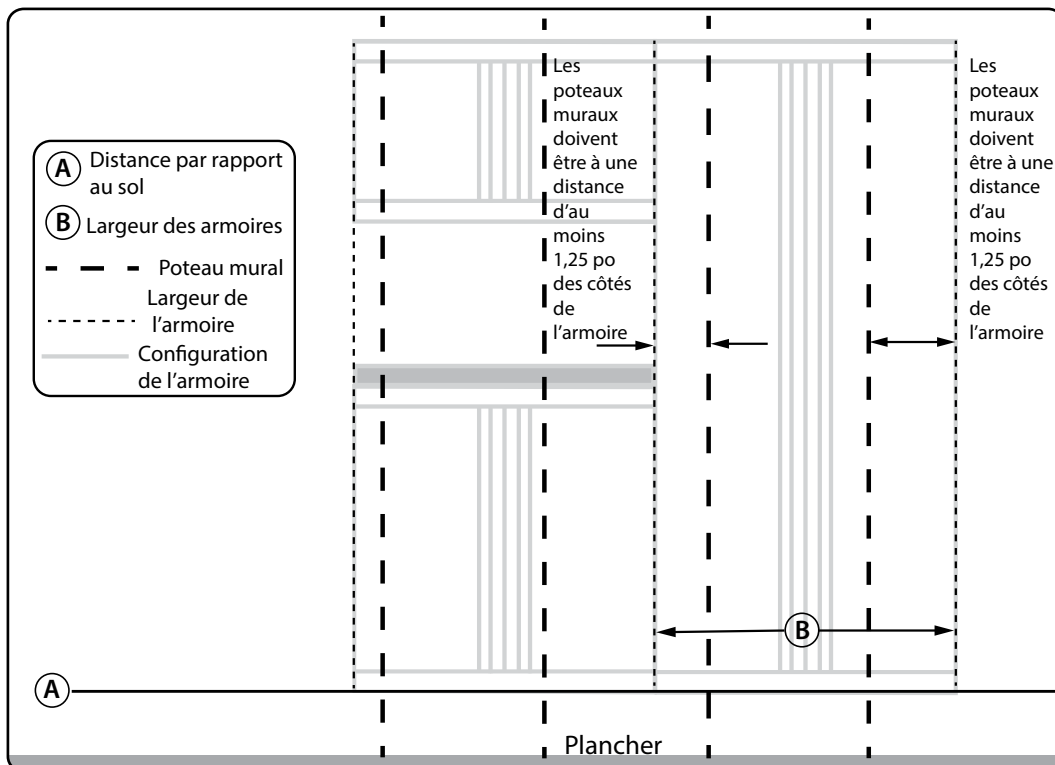


2 Planification de la position générale des armoires.

Étape A. Déterminer la hauteur à laquelle vous aimeriez installer les armoires sur plancher et armoires-vestiaires et tracer une ligne horizontale à cet endroit.

Étape B. Indiquer ensuite la largeur de chaque armoire dans la position voulue en veillant à ce que les poteaux muraux soient au moins à une distance minimale de 1,25 po du bord des armoires. Ce faisant, il n'y aura pas d'impact avec les bords de l'armoire et le support mural lors de l'installation de l'armoire sur le mur.

Remarque : S'assurer d'avoir deux poteaux pour l'armoire-vestiaire à installer puisqu'il est plus facile de commencer d'abord par installer l'armoire-vestiaire. En raison de l'espacement des poteaux muraux, il est possible que certaines armoires sur plancher ou armoires murales n'aient qu'un poteau auquel les fixer. Cela ne pose pas problème à condition que l'armoire soit fixée à une armoire solidement installée.

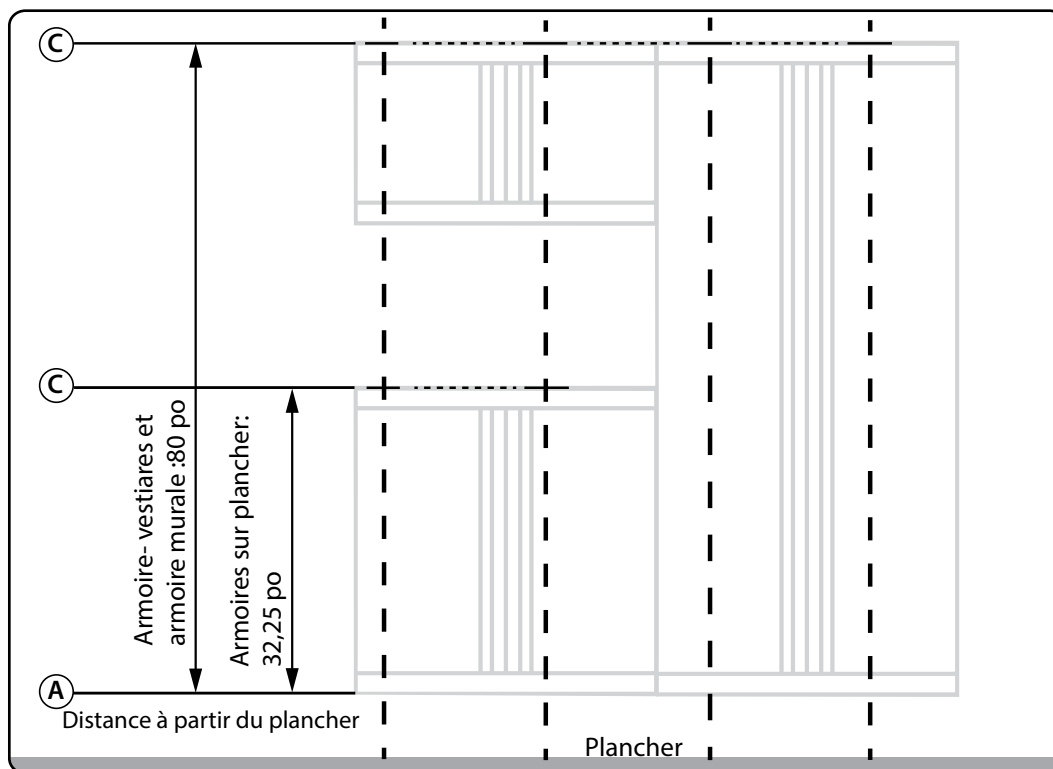


Fixation des armoires au mur (suite)

3 Planification de la position générale des armoires (suite)

Étape C. En mesurant à partir de la ligne faite à l'étape A, faire une marque horizontale à la hauteur à laquelle elle croise les marques du panneau mural pour déterminer la hauteur de l'armoire voulue (et l'endroit où installer le support).

1. **Armoire-vestiaire :** Mesurer une distance de 80 po à partir de la ligne de référence et faire une marque aux emplacements des montants.
2. **Armoire sur plancher :** Mesurer une distance de 32,25 po à partir de la ligne de référence et faire une marque aux emplacements des montants.
3. **Armoires murales :** Mesurer une distance verticale de 80 po à partir de la ligne de référence et faire une marque aux emplacements des montants (si à niveau avec le dessus de l'armoire-vestiaire).



Étape D. S'assurer que les armoires seront installées à une hauteur où il vous sera possible de travailler et que vos armoires murales ne sont pas hors de votre portée.

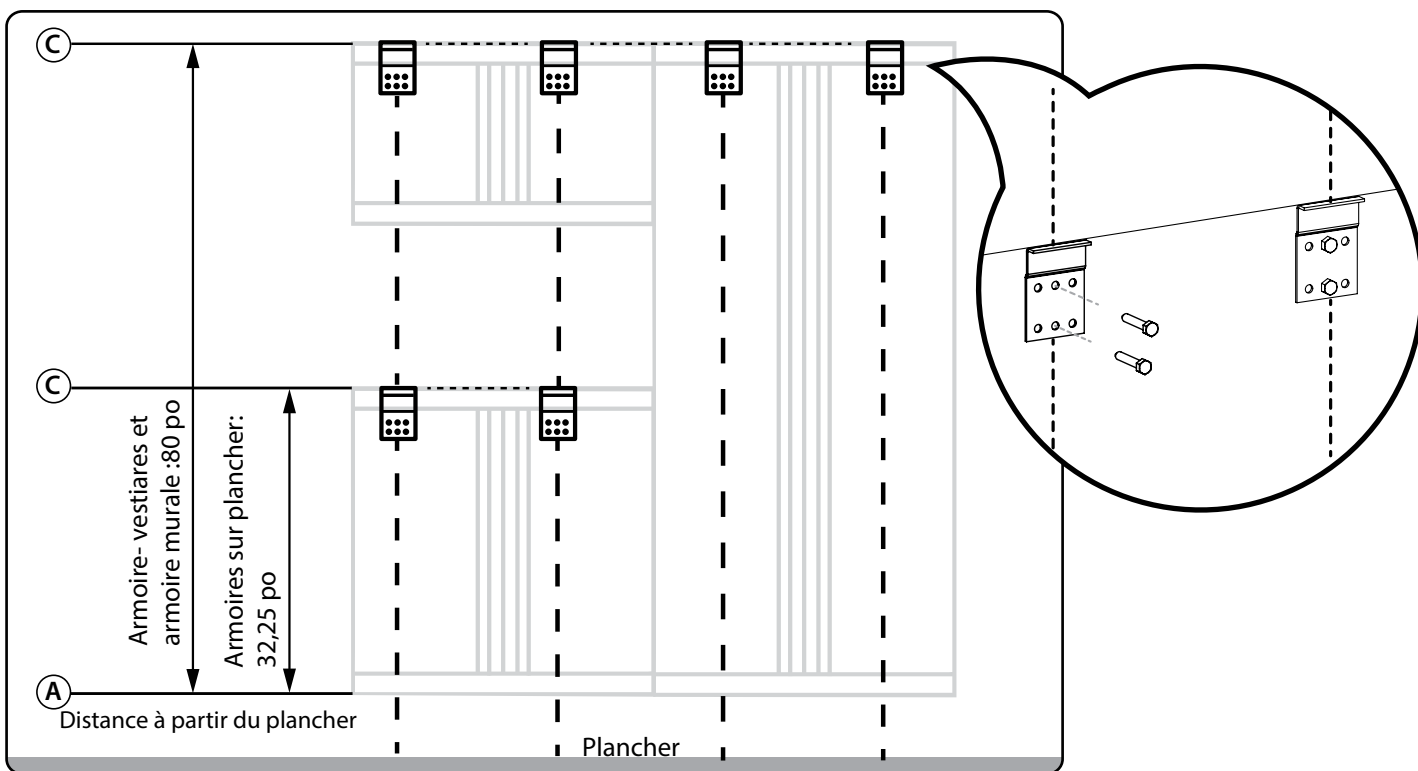
Remarque : La surface de travail des armoires sur plancher sera 1,25 po plus élevée que l'armoire avec le dessus installé.

Fixation des armoires au mur (suite)

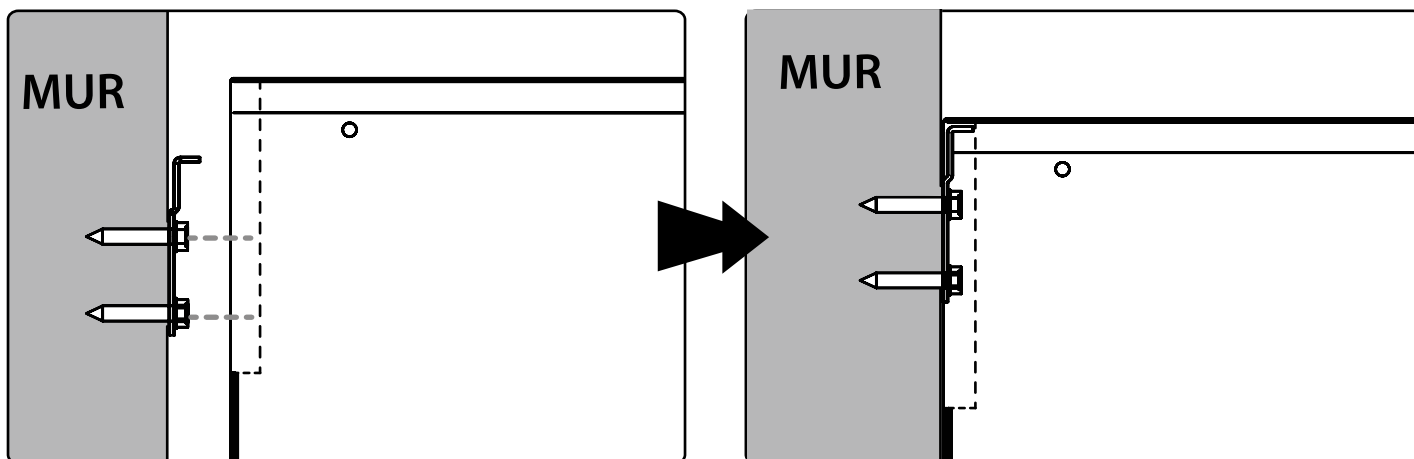
4 Fixation des armoires au mur.

Aligner le dessus des supports d'accrochage sur les lignes identifiées pour la position du dessus des armoires (étape C) et fixer solidement les supports dans les montants à l'aide des tirefonds et des rondelles fournis.

Remarque : Il est possible de contrebalancer le support vers un côté ou l'autre si celui-ci est installé près du bord de la position désirée pour l'armoire en utilisant les positions secondaires des trous sur le support.

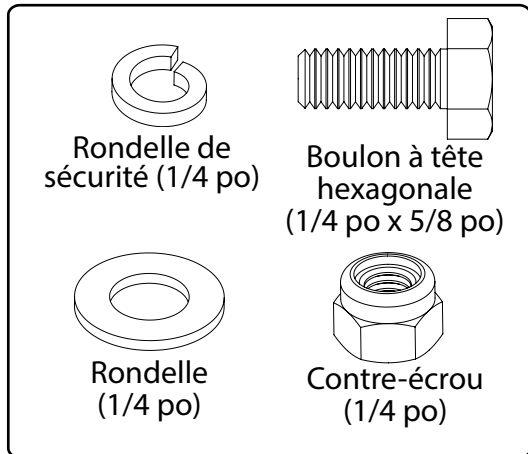


5 Soulever l'armoire au-dessus des supports et mettre à niveau par rapport au mur, puis abaisser pour la mettre en place.

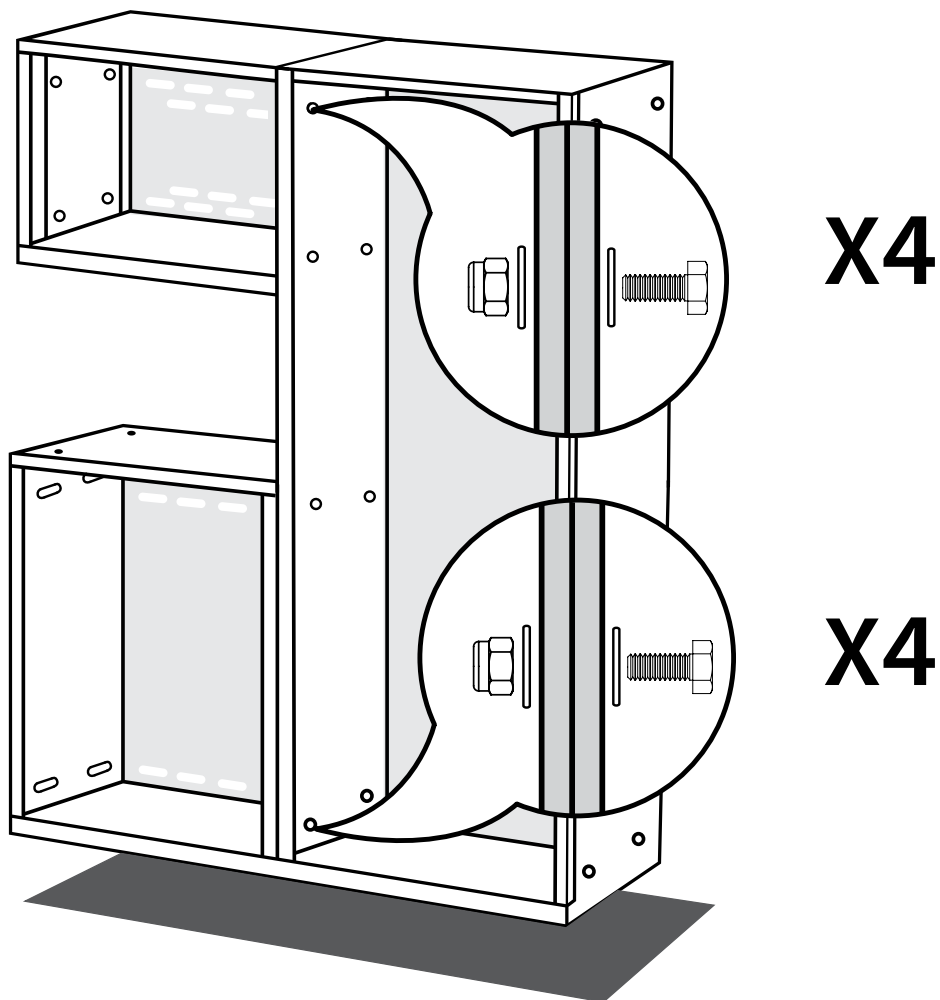
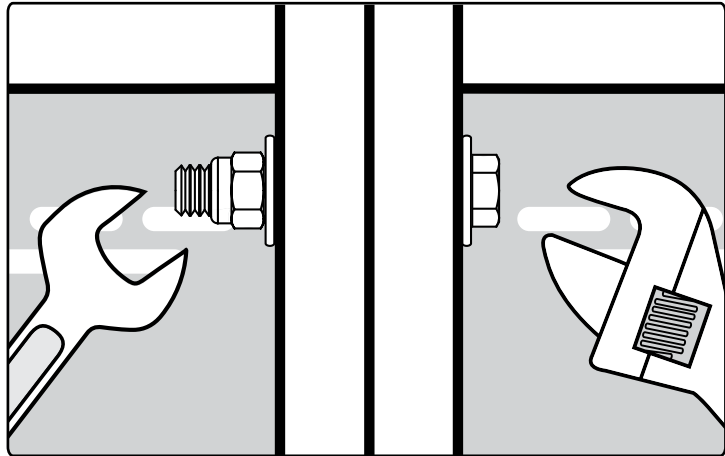


Fixation des armoires au mur (suite)

Pièces nécessaires.



6 Visser chaque armoire subséquente à la précédente en utilisant les boulons à tête hexagonale de 1/4 po x 5/8 po et les contre-écrous fournis avec chaque armoire sur plancher et murale.

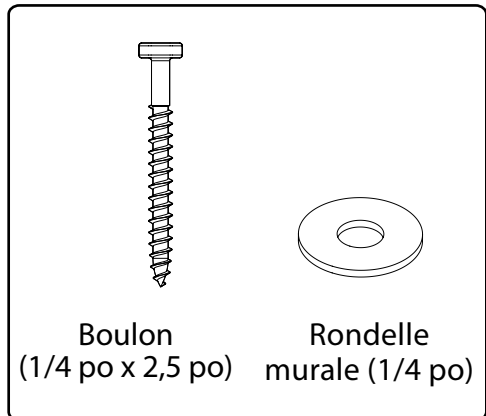


Remarque : Les supports ne sont pas conçus pour supporter le poids d'une armoire remplie. Les armoires doivent être fixées au mur à l'aide de tirefonds de 1/4 po x 2,5 po.

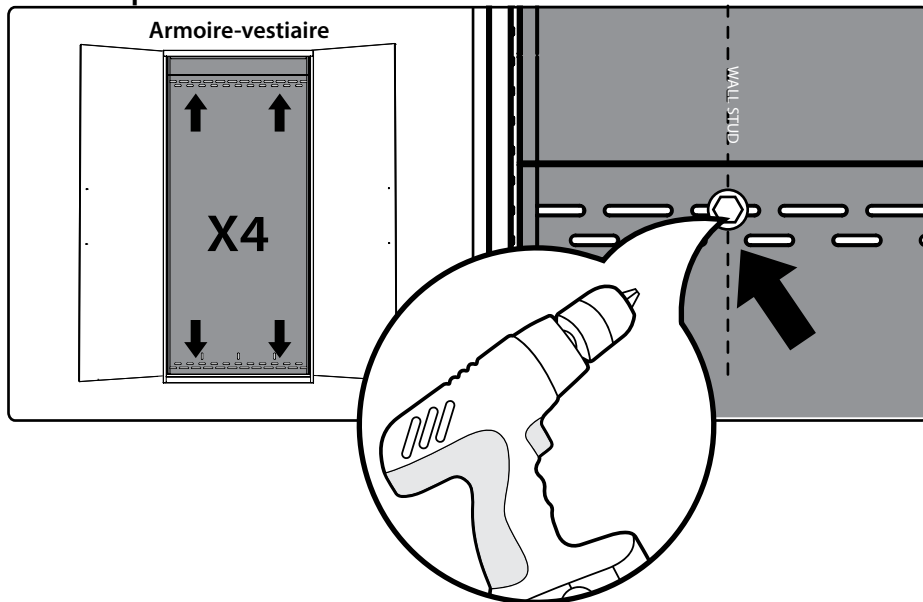
Fixation au mur

Remarque : Les supports ne sont pas conçus pour supporter le poids d'une armoire remplie. Les armoires doivent être fixées au mur à l'aide de tirefonds de 1/4 po x 2,5 po.

i Pièces nécessaires.



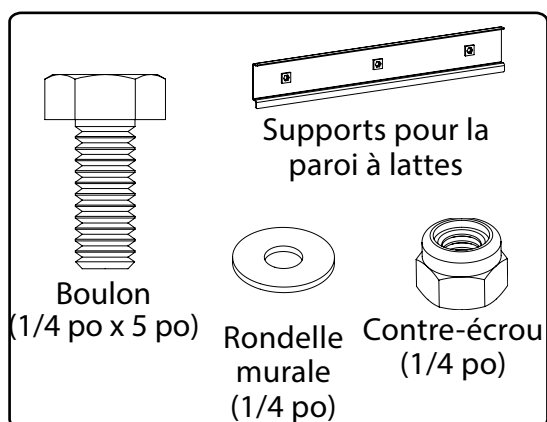
7 En utilisant des tirefonds et des rondelles (4) de 1/4 po x 2,5 po, fixer chaque armoire au poteau mural depuis l'intérieur de l'armoire.



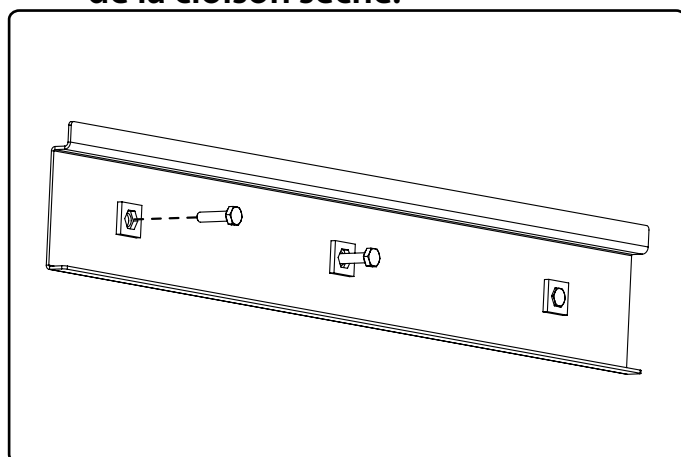
Fixation des armoires sur une paroi à lattes

Remarque : Les supports pour les parois à lattes du 3 pouces standard sont vendus séparément. Vérifier auprès de votre fournisseur de parois à lattes pour déterminer la capacité nominale de votre paroi à lattes. **NE PAS SURCHARGER.** Les supports pour les parois à lattes sont compatibles seulement pour les parois à lattes 3 pouces standard.

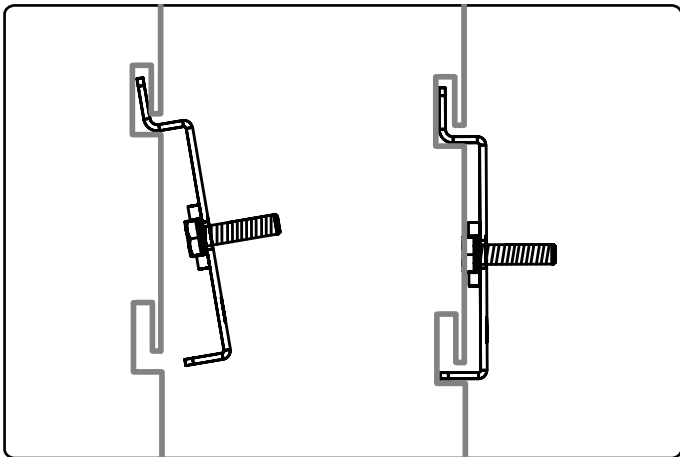
i Pièces nécessaires.



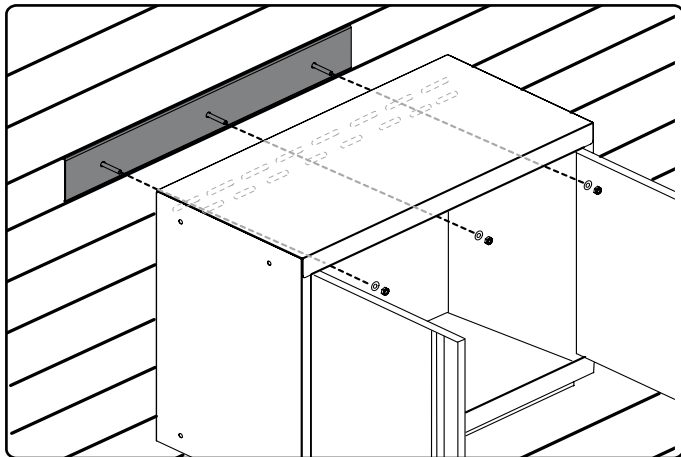
1 Insérer les boulons dans le support de la cloison sèche.



2 Fixer le support à la paroi à lattes à la hauteur voulue.

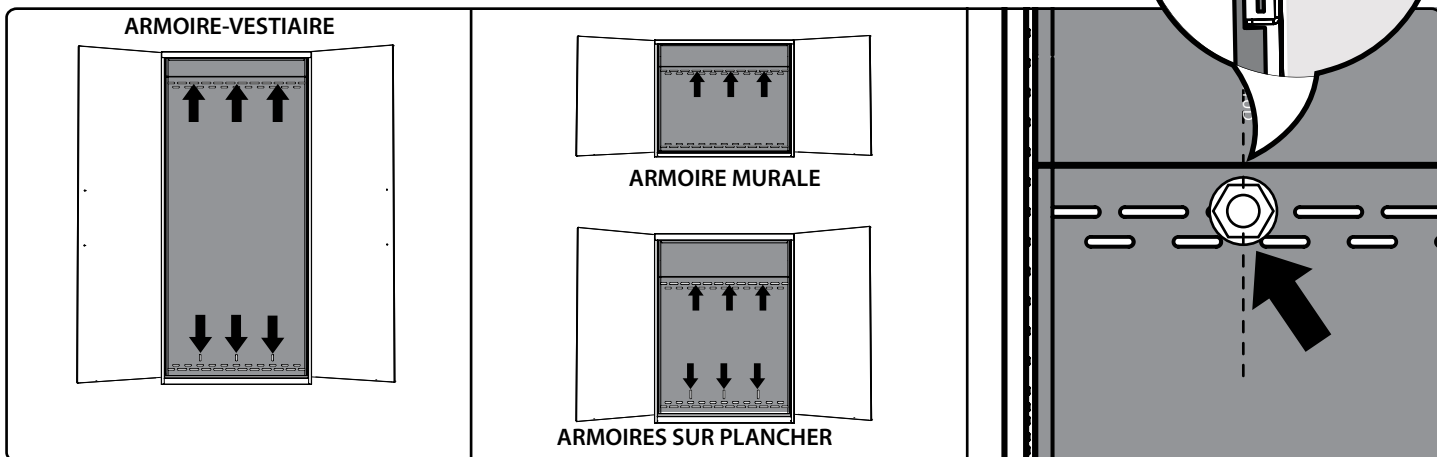


3 Aligner le boulon sur les fentes à l'arrière de l'armoire et suspendre l'armoire.



Remarque : Pour l'armoire-vestiaire, fixer le deuxième support à 66 po au-dessous du premier support. Pour l'armoire sur plancher, fixer le deuxième support à 18 po au-dessous du premier support.

4 En utilisant une douille pour foret de 7/16 po ou une clé de 7/16 po, fixer solidement les contre-écrous à chaque support mural depuis l'intérieur de l'armoire.



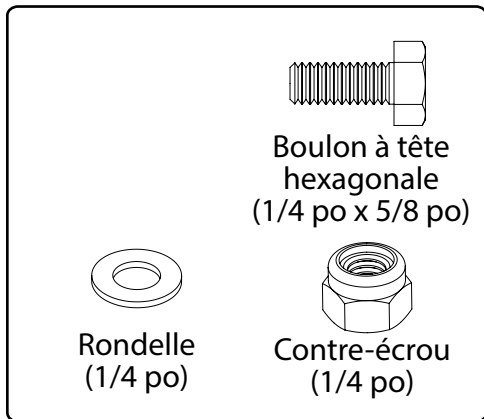
Raccord des armoires



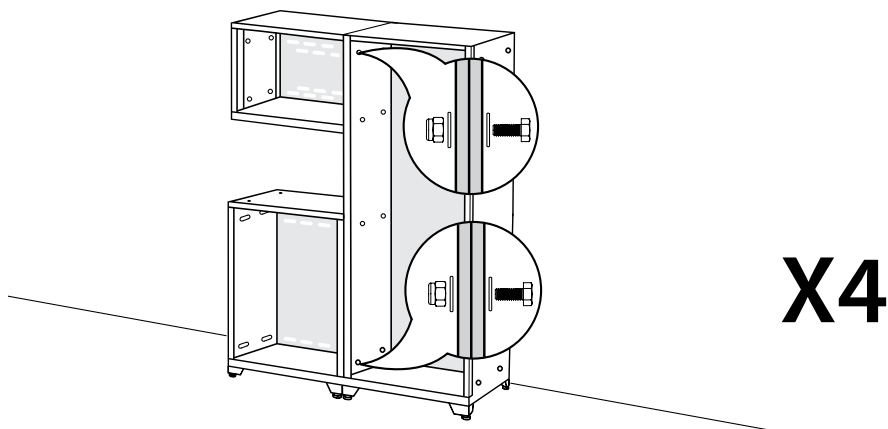
Remarque :

Raccorder les autres armoires à la première armoire solidement assemblée.

Pièces nécessaires.



Aligner les boulons, serrer légèrement.

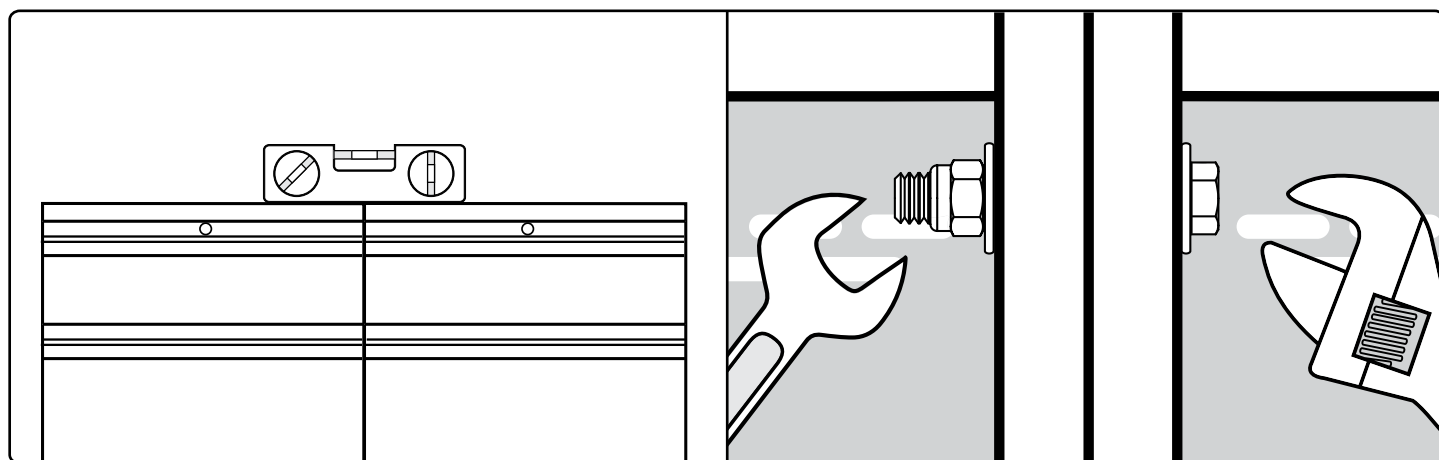


Remarque :

Retirer tous les tiroirs avant de raccorder les armoires ensemble.

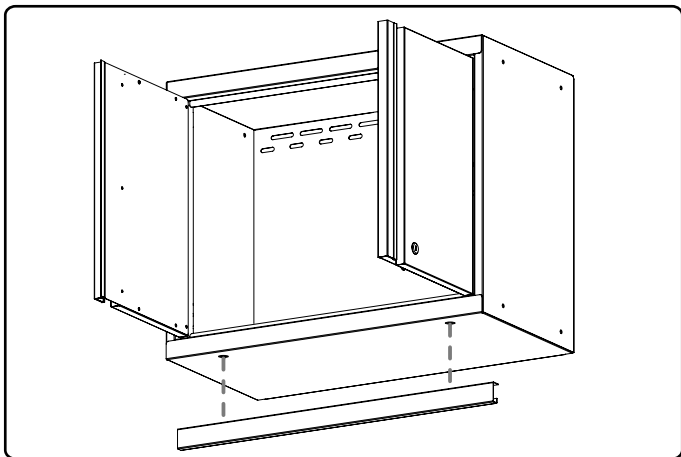
X4

Mettre à niveau les armoires et serrer tous les boulons.

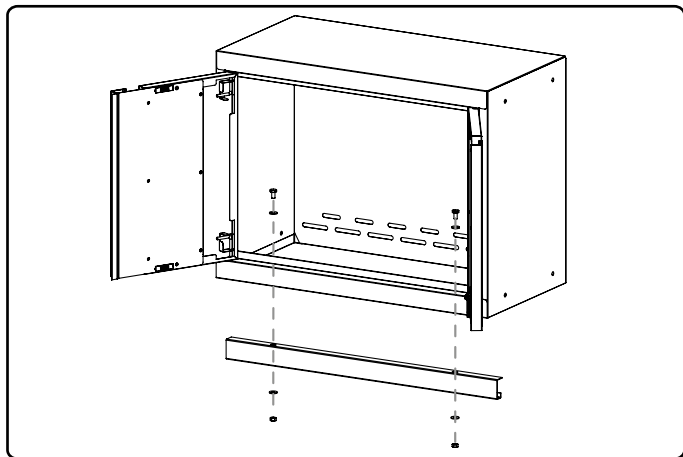


Fixer le cache-néon à l'armoire murale

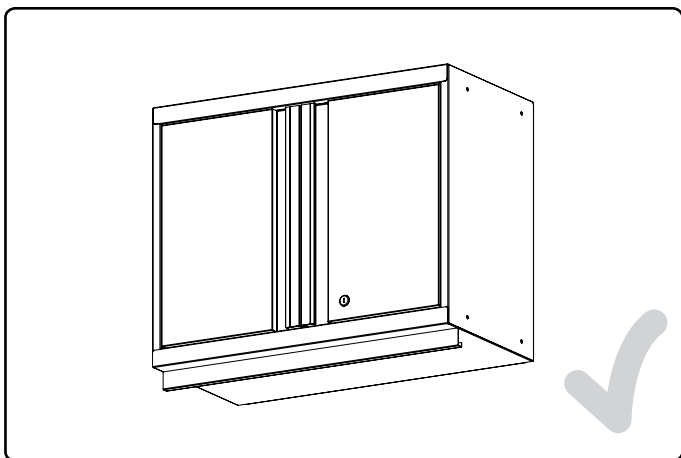
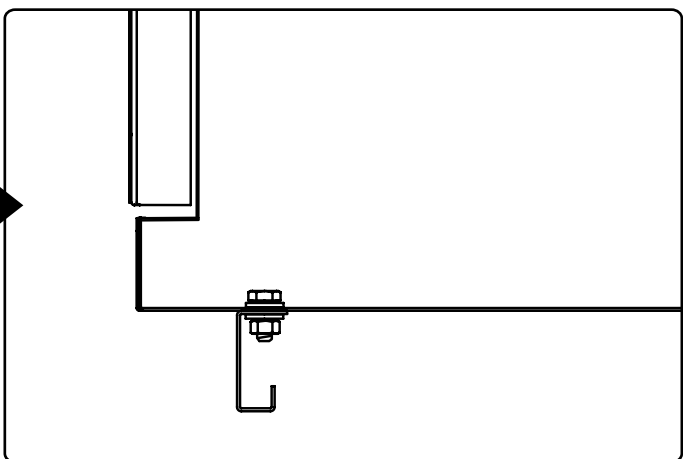
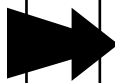
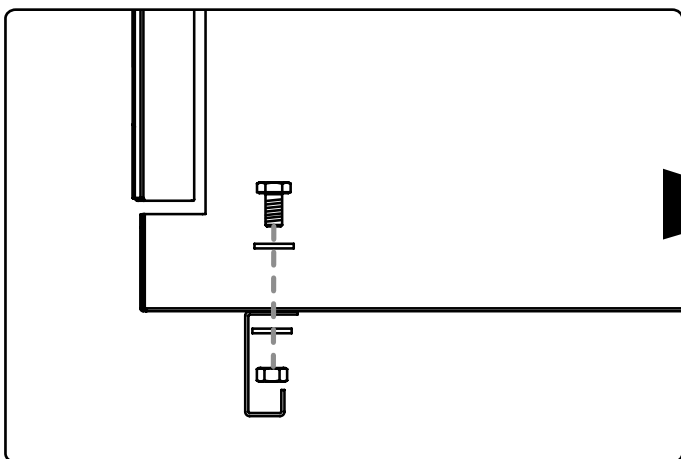
1 Aligner les trous du cache-néon sur ceux de l'armoire.



2 Insérer et serrer les boulons et écrous.

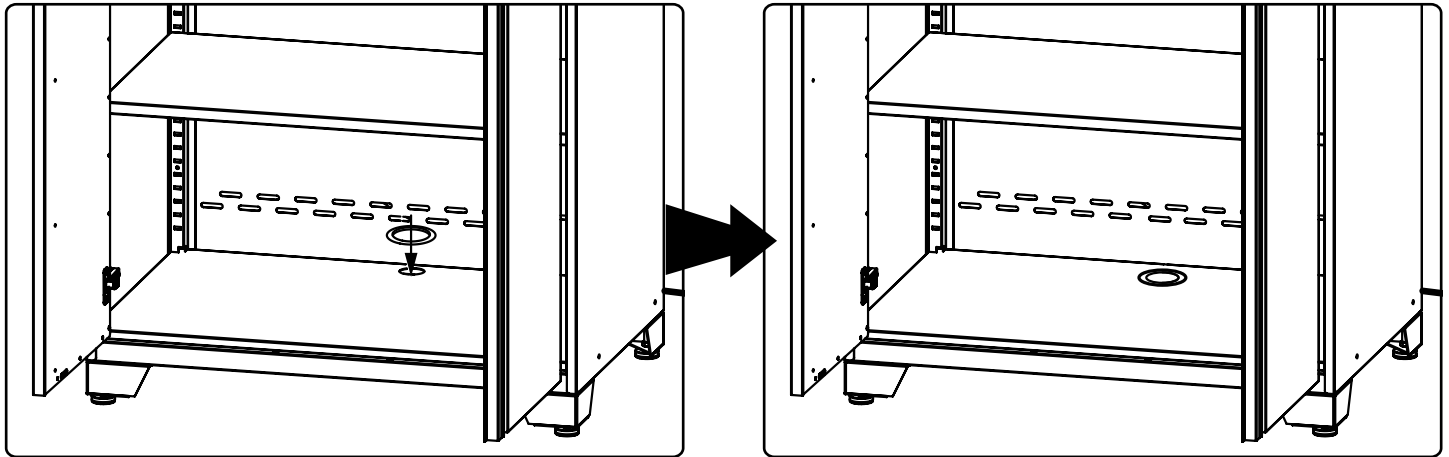


3 Vue transversale.

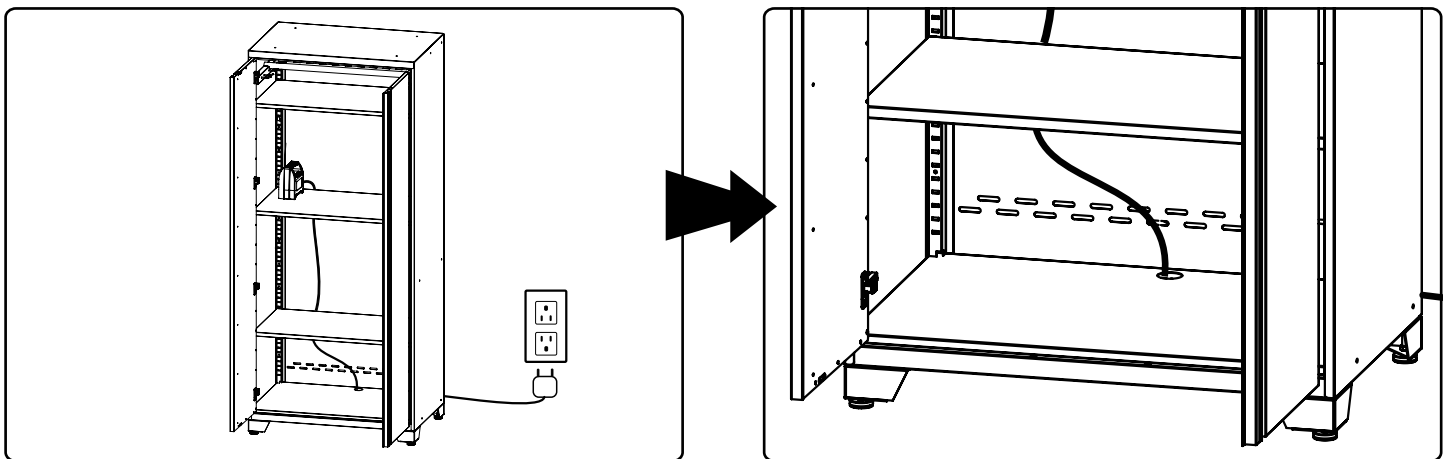


Trous d'accès

- 1 Insérer le passe cable caoutchouc dans le trou d'accès.



- 2 Le trou d'accès permet un branchement facile à la prise de courant.



Merci d'avoir acheté un produit NewAge!

Si vous avez des questions, veuillez nous appeler ou visiter notre site Web.

Appeler au 1.877.306.8930; pour le R.-U., composer le 0800.031.4069; envoyer un courriel à info@newageproducts.com.