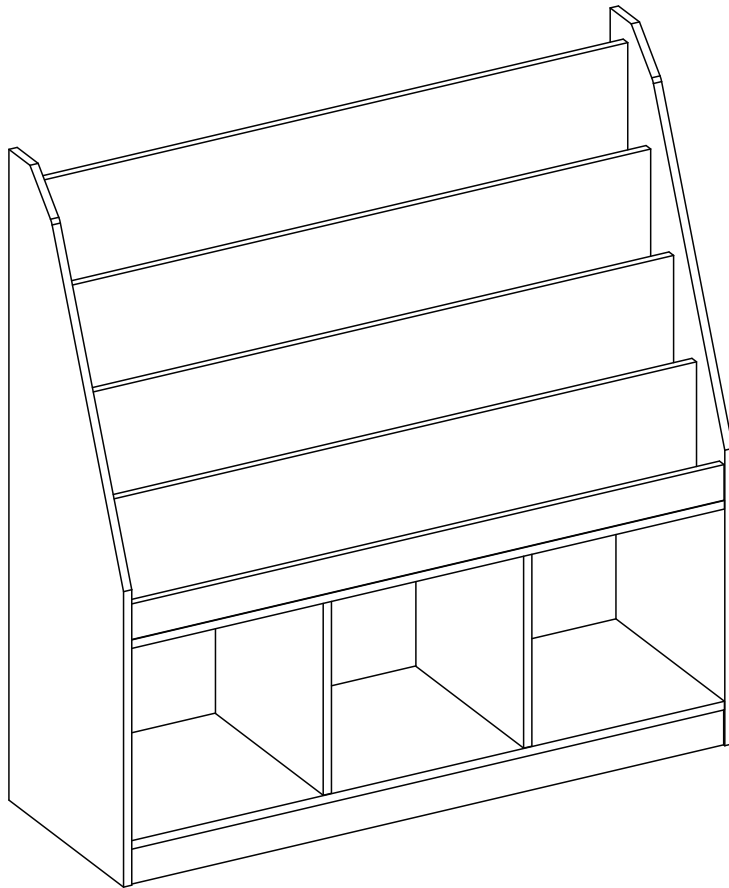




ASSEMBLY INSTRUCTIONS



RiverRidge® Kids Bookrack with Three Cubbies

ITEM #: 02-251 White

ADULT ASSEMBLY REQUIRED

This product requires assembly by an adult because of small parts. Care should be taken in unpacking and assembling this item to keep small parts away from children. During assembly children should be kept away from the product due to possible risk of injury.

This product is suitable for children 3 years and older.



SEE FULL WARNING ON PAGE 2



WARNING

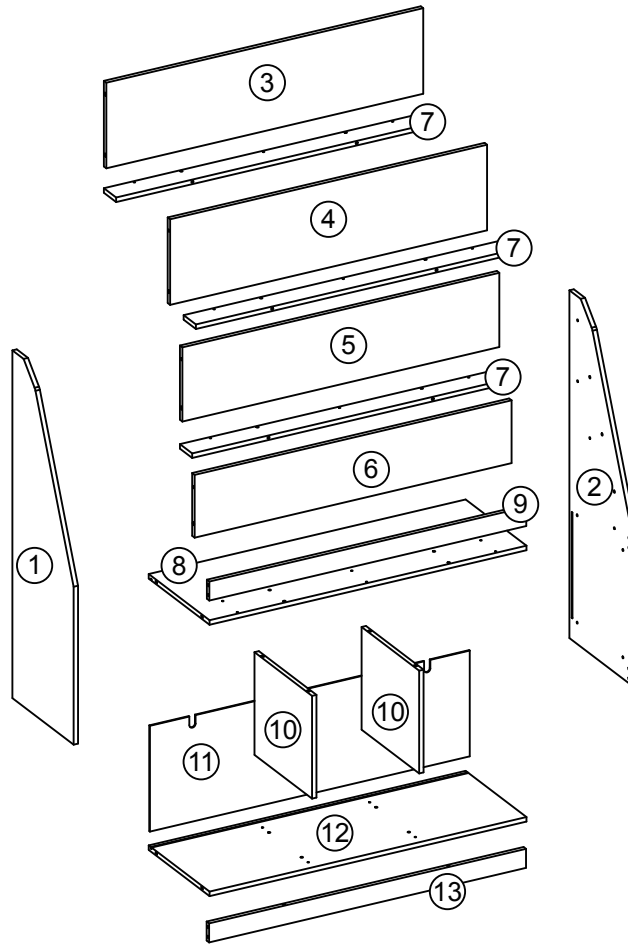
SERIOUS OR FATAL INJURIES CAN OCCUR FROM FURNITURE TIP-OVER. IN ORDER TO PREVENT OVERTURNING, THIS PRODUCT MUST BE USED WITH THE TIP-OVER RESTRAINTS OR WALL MOUNTING HARDWARE PROVIDED.

PLEASE READ WARNINGS BELOW.

- Product must be assembled exactly per these instructions. Failure to follow assembly instructions may result in possible risk of injury.
- Young children can be seriously injured or killed if furniture tips over. Install tip-over restraint provided. Use of tip-over restraints may only reduce, but not eliminate, the risk of tip-over.
- To help prevent furniture from tip-over or fall, this product must be secured to the wall using enclosed tip-over restraints or wall mounting hardware.
- Tip-over restraints and wall mounting hardware are provided with this product, however, you may need to source suitable hardware for your wall type. If in doubt, please consult a qualified tradesperson.
- Always check the suitability of the wall to ensure the tip-over restraints or wall mounting hardware will resist the forces applied to it.
- Always ensure any wall used for tip-over restraints or wall mounting hardware is free from hidden electrical wires, water, or gas pipes.
- Do not use this item for a TV stand or place heavy objects on top of item.
- Place heaviest items in the lowest drawers or shelves.
- Never allow children to climb or hang on to the drawers, doors, or shelves.
- Never open more than one drawer at a time or defeat/remove any drawer interlock system.

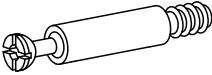


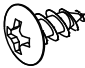
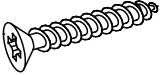
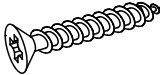
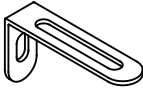

Weight Capacity: This product will hold up to 10 pounds (4.5kgs) per shelf and 20 pounds (9kgs) per cubby for a total weight of 100 pounds (45.4kgs). Please do not overload product for risk of damage and/or serious injury or death.

PARTS LIST



NO	QTY	DESCRIPTION
1	1PC	Left Side Panel
2	1PC	Right Side Panel
3	1PC	Back Panel #1
4	1PC	Back Panel #2
5	1PC	Back Panel #3
6	1PC	Back Panel #4
7	3PCS	Small Shelf
8	1PC	Middle Board
9	1PC	Upper Cross Bar
10	2PCS	Divider Board
11	1PC	Back Board
12	1PC	Bottom Shelf
13	1PC	Lower Cross Bar

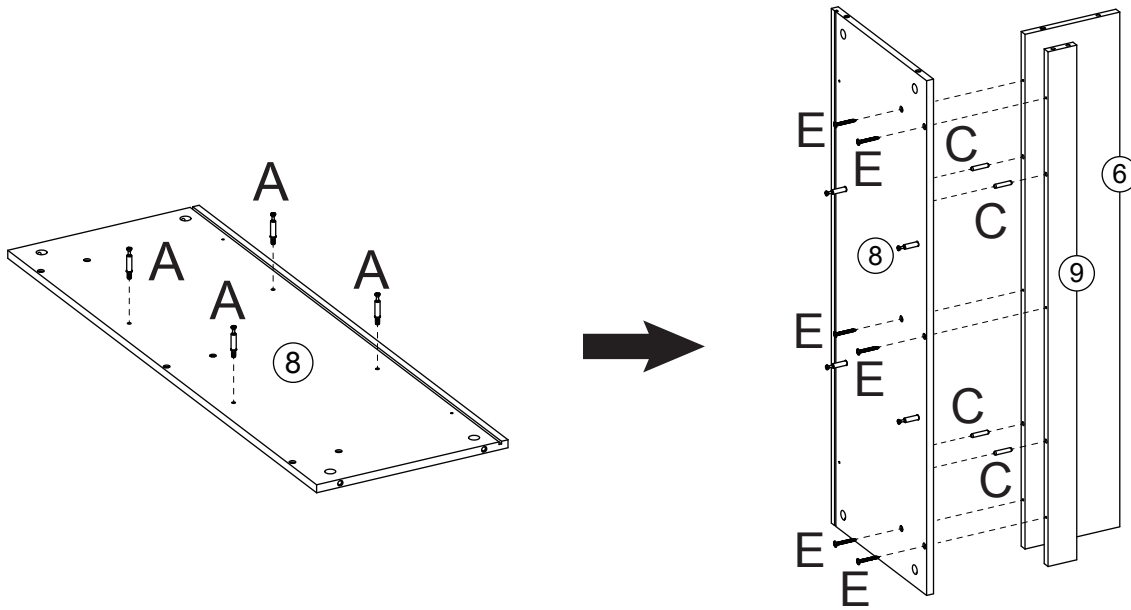
PARTS LIST

NO	PARTS	QTY	DESCRIPTION
A		22PCS	Cam Bolt
B		22PCS	Cam Lock
C		36PCS	Wood Dowel
D		2PCS	Screw (4x10mm)
E		19PCS	Screw (4x35mm)
F		2PCS	Screw (4x30mm)
G		2PCS	Adjustable Anchor Bracket
H		2PCS	Plastic Anchor

**TOOLS NEEDED FOR ASSEMBLY: FLAT & PHILLIPS SCREWDRIVER (NOT INCLUDED)
THE USE OF A POWER SCREWDRIVER IS NOT RECOMMENDED FOR ASSEMBLY
DO NOT USE ITEM IF ANY PARTS ARE MISSING OR DAMAGED**

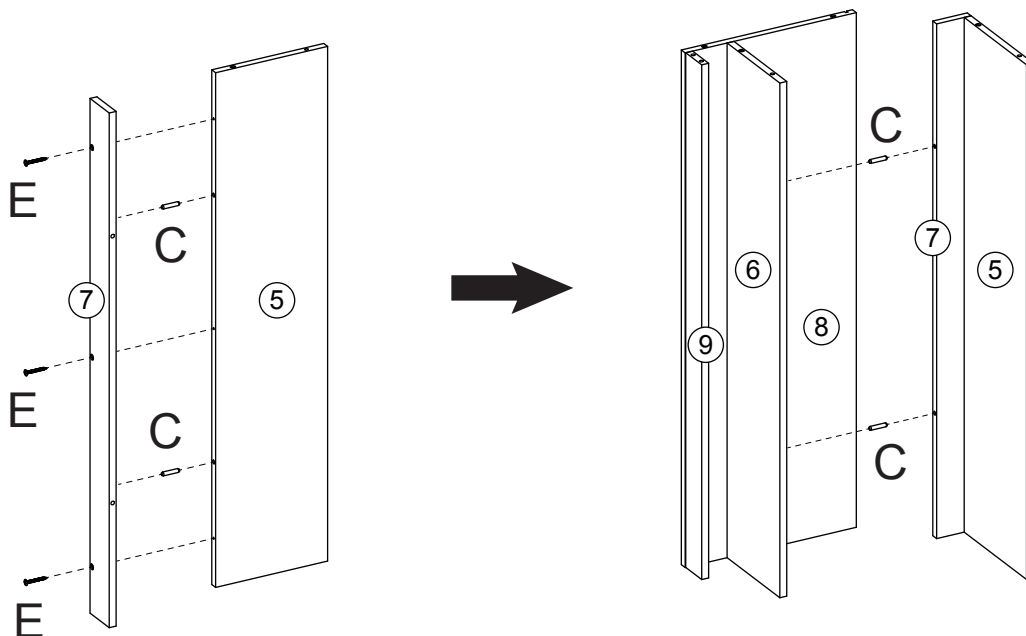
To order replacement parts at no cost to you, email customer.service@ssi-rr.com, call 1-(844)-223-5201 or order parts online at www.riverridgehome.com. Only valid in the United States. If purchased outside of the United States, please contact retailer where purchased.

STEP 1



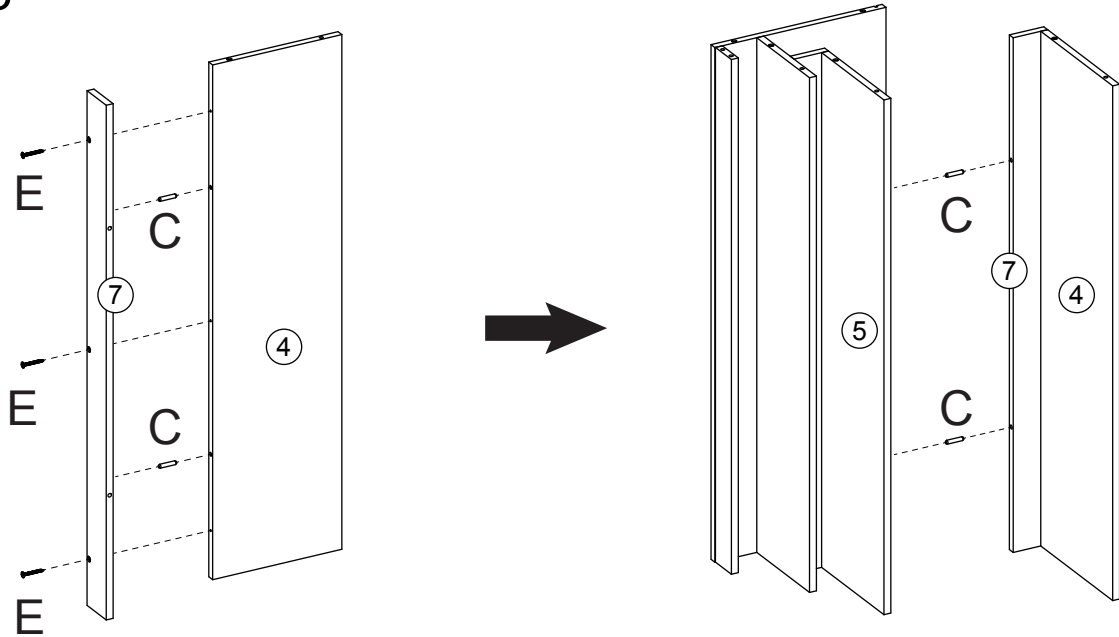
1. Screw 4 cam bolts (A) into cam bolt holes on middle board (8).
2. Insert 4 wood dowels (C) into wood dowel holes on middle board (8), then attach upper cross bar (9) and back panel #4 (6) to middle board (8) by inserting wood dowels (C) into wood dowel holes.
3. Insert 6 screws (E) through holes on middle board (8), then tighten to upper cross bar (9) and back panel #4 (6).

STEP 2



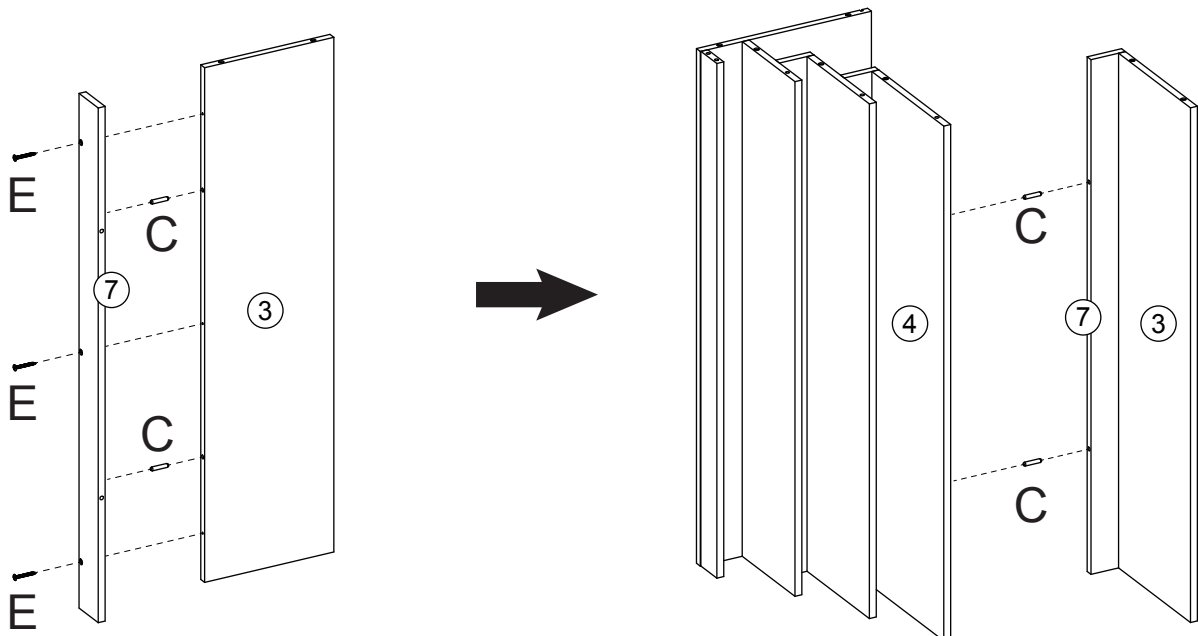
1. Insert 2 wood dowels (C) into wood dowel holes on small shelf (7).
2. Attach small shelf (7) to back panel #3 (5) by inserting 2 wood dowels (C) into wood dowel holes on back panel #3 (5). Insert 3 screws (E) through holes on small shelf (7), then tighten to back panel #3 (5).
3. Insert 2 wood dowels (C) into wood dowel holes on back panel #4 (6).
4. Attach small shelf (7) and back panel #3 (5) to back panel #4 (6) by inserting 2 wood dowels (C) into wood dowel holes on small shelf (7).

STEP 3



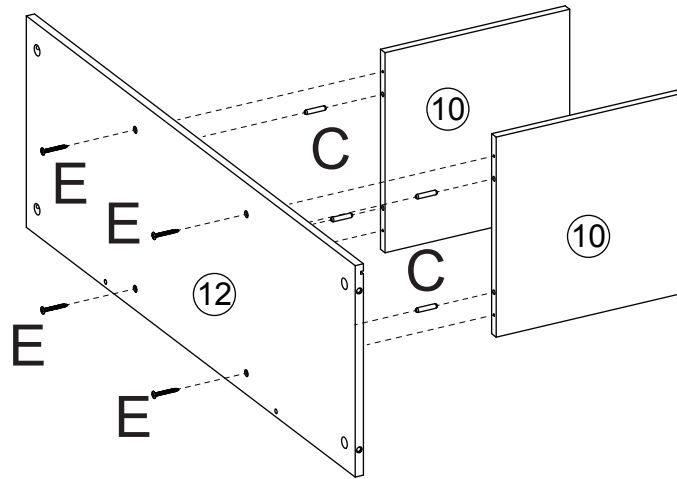
1. Insert 2 wood dowels (C) into wood dowel holes on small shelf (7).
2. Attach small shelf (7) to back panel #2 (4) by inserting 2 wood dowels (C) into wood dowel holes on back panel #2 (4). Insert 3 screws (E) through holes on small shelf (7), then tighten to back panel #2 (4).
3. Insert 2 wood dowels (C) into wood dowel holes on back panel #3 (5).
4. Attach small shelf (7) and back panel #2 (4) to back panel #3 (5) by inserting 2 wood dowels (C) into wood dowel holes on small shelf (7).

STEP 4



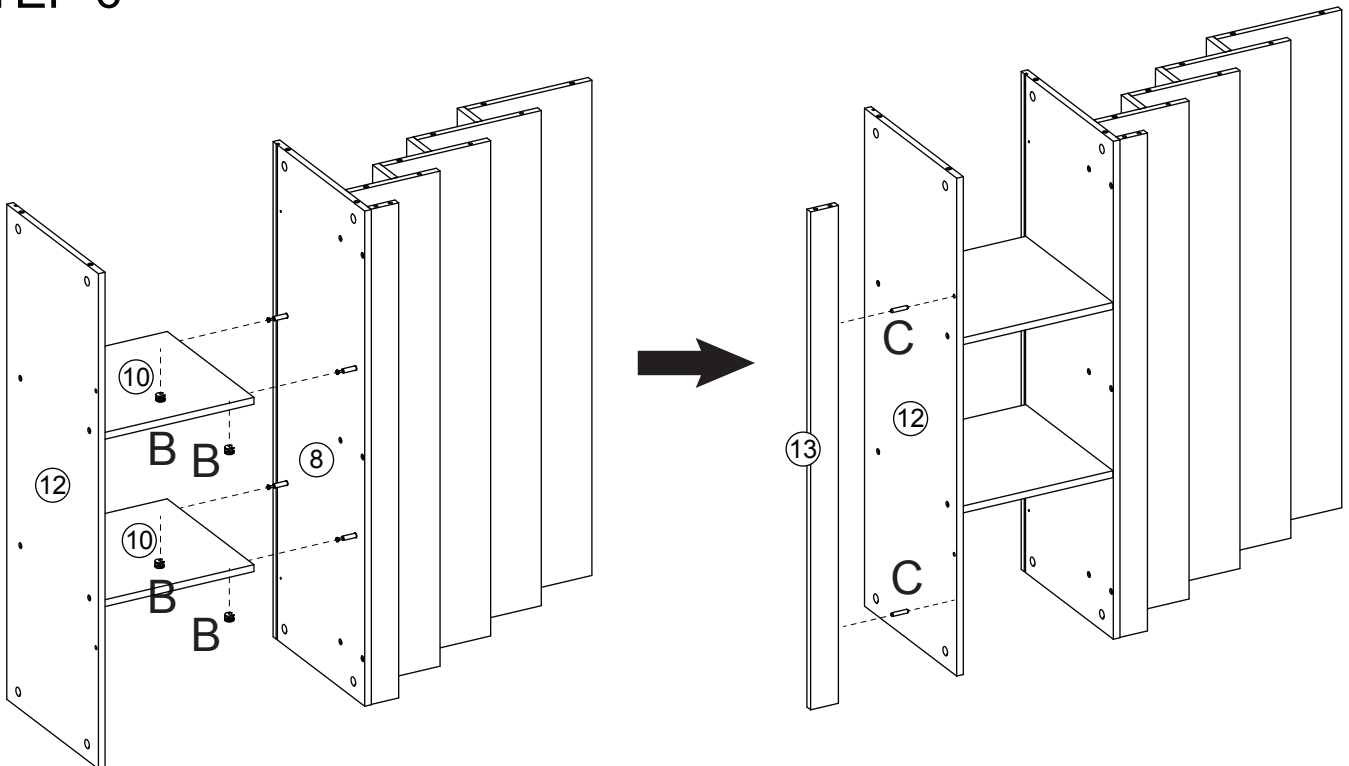
1. Insert 2 wood dowels (C) into wood dowel holes on small shelf (7).
2. Attach small shelf (7) to back panel #1 (3) by inserting 2 wood dowels (C) into wood dowel holes on back panel #1 (3). Insert 3 screws (E) through holes on small shelf (7), then tighten to back panel #1 (3).
3. Insert 2 wood dowels (C) into wood dowel holes on back panel #2 (4).
4. Attach small shelf (7) and back panel #1 (3) to back panel #2 (4) by inserting 2 wood dowels (C) into wood dowel holes on small shelf (7).

STEP 5



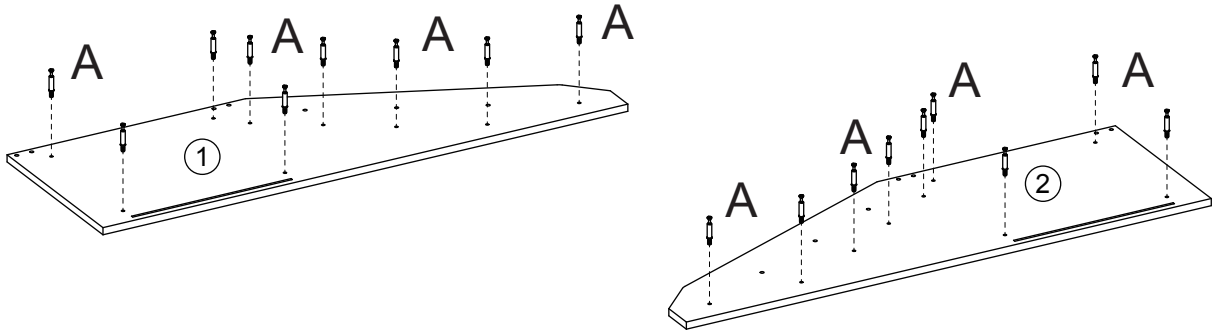
1. Insert 4 wood dowels (C) into wood dowel holes on bottom shelf (12).
2. Attach 2 divider boards (10) to bottom shelf (12) by inserting 4 wood dowels (C) into wood dowel holes on divider boards (10). Insert 4 screws (E) through holes on bottom shelf (12), then tighten to divider boards (10).

STEP 6



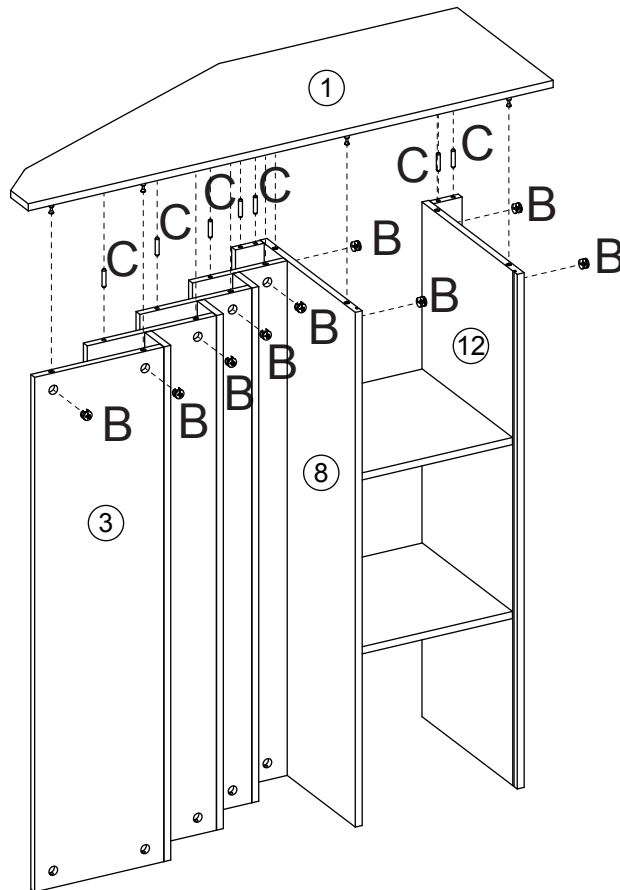
1. Attach divider boards (10) and bottom shelf (12) to middle board (8) by inserting cam bolts (A) into cam lock holes on divider boards (10).
2. Insert 4 cam locks (B) into cam lock holes on divider boards (10), then rotate clockwise to secure cam bolts (A) in place.
3. Insert 2 wood dowels (C) into wood dowel holes on bottom shelf (12).
4. Attach lower cross bar (13) to bottom shelf (12) by inserting wood dowels (C) into wood dowel holes on lower cross bar (13).

STEP 7



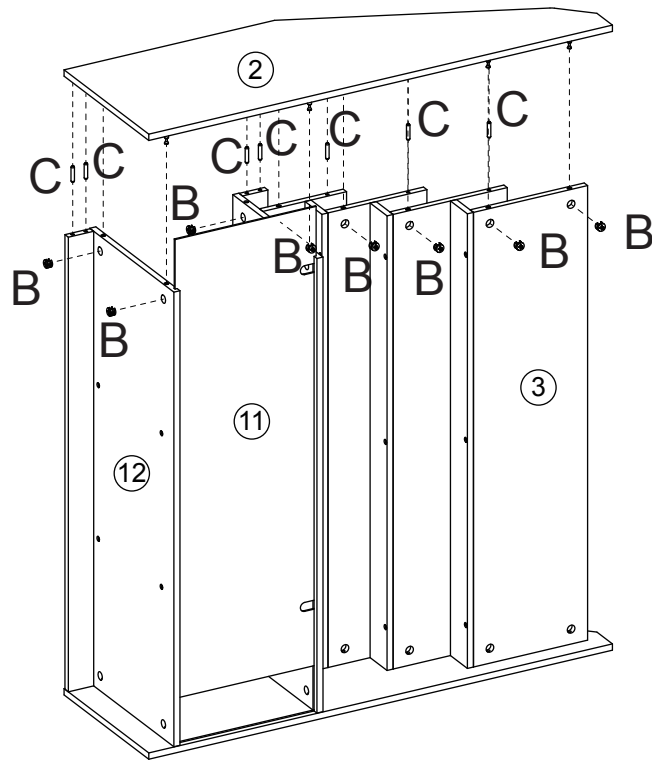
1. Screw 9 cam bolts (A) into cam bolt holes on left side panel (1).
2. Screw 9 cam bolts (A) into cam bolt holes on right side panel (2).

STEP 8



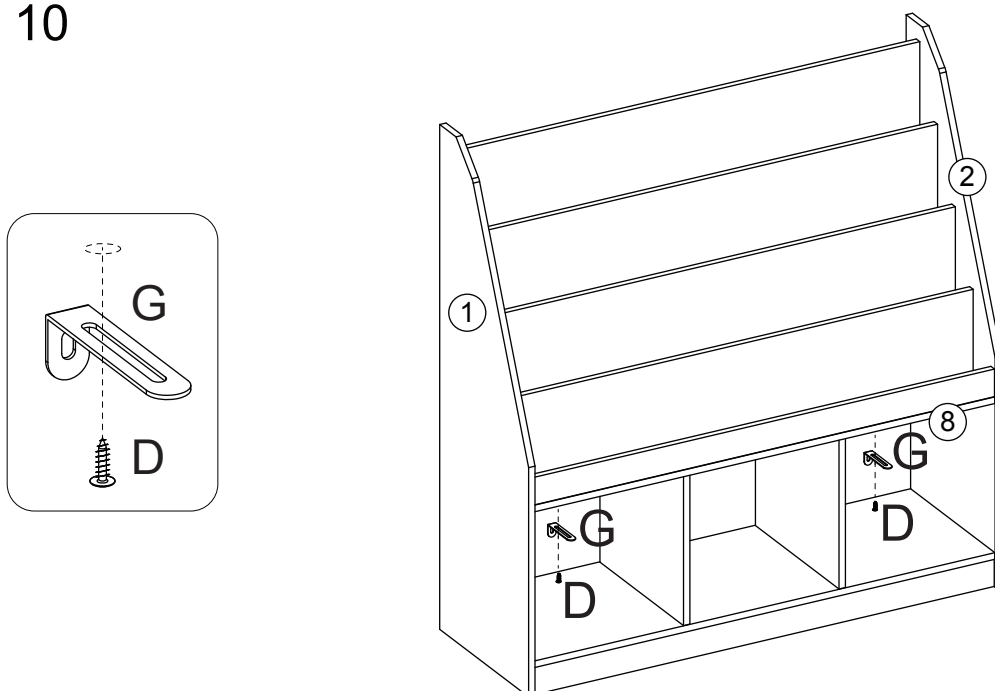
1. Insert 7 wood dowels into wood dowel holes on left side panel (1).
2. Attach left side panel (1) to assembled unit by inserting cam bolts (A) into cam lock holes and wood dowels (C) into wood dowel holes on assembled unit.
3. Insert 9 cam locks (B) into cam lock holes on assembled unit, then rotate clockwise to secure cam bolts (A) in place.

STEP 9



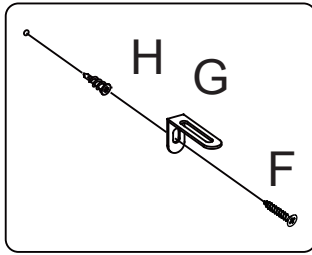
1. Slide back board (11) into grooves on bottom shelf (12), middle board (8) and left side panel (1).
2. Insert 7 wood dowels (C) into wood dowel holes on right side panel (2).
3. Attach right side panel (2) to assembled unit by inserting cam bolts (A) into cam lock holes and wood dowels (C) into wood dowel holes on assembled unit. Make sure back board (11) slides into grooves on right side panel (2).
4. Insert 9 cam locks (B) into cam lock holes on assembled unit, then rotate clockwise to secure cam bolts (A) in place.

STEP 10

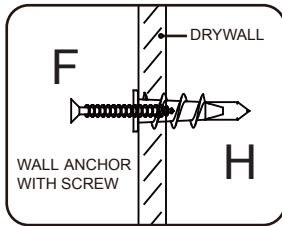


1. Attach 2 adjustable anchor brackets (G) to middle board (8) by inserting 2 screws (D) through holes on brackets (G), then tighten to middle board (8).

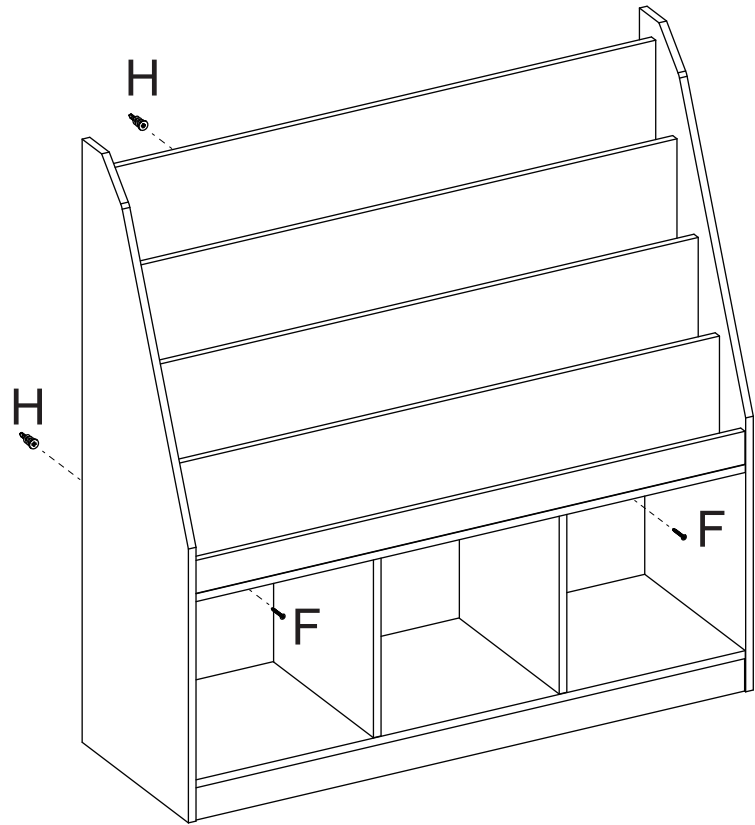
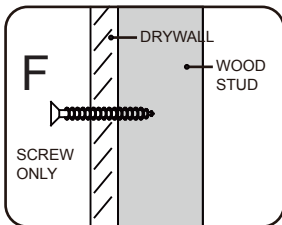
STEP 11



OPTION #1



OPTION #2



Option #1: Securing to Drywall

1. Position bookrack against wall in desired location. Using a pencil, make 2 small marks on wall through holes on brackets (G). Move bookrack away from wall and screw 2 plastic anchors (H) into wall on pencil marks.
2. Place bookrack against wall, insert 2 screws (F) through holes on brackets (G), then tighten to plastic anchors (H).

Option #2: Securing to Drywall and Wood Stud

1. Position bookrack against wall in desired location. Insert 2 screws (F) through holes on brackets (G), then tighten through drywall and into wood stud.

*Tip: Anchor brackets (G) can be adjusted to correct distance from wall to cabinet as needed. Once adjusted, be sure to re-tighten brackets inside cabinet for stability.

ATTENTION ADULTS: Cabinet should be checked periodically for damage or loose screws/parts. Take appropriate action necessary to correct hazards such as tightening of screws and taking any damaged parts away from children.

WARNING  **Please make sure your item is secured to the wall, per assembly instructions.**

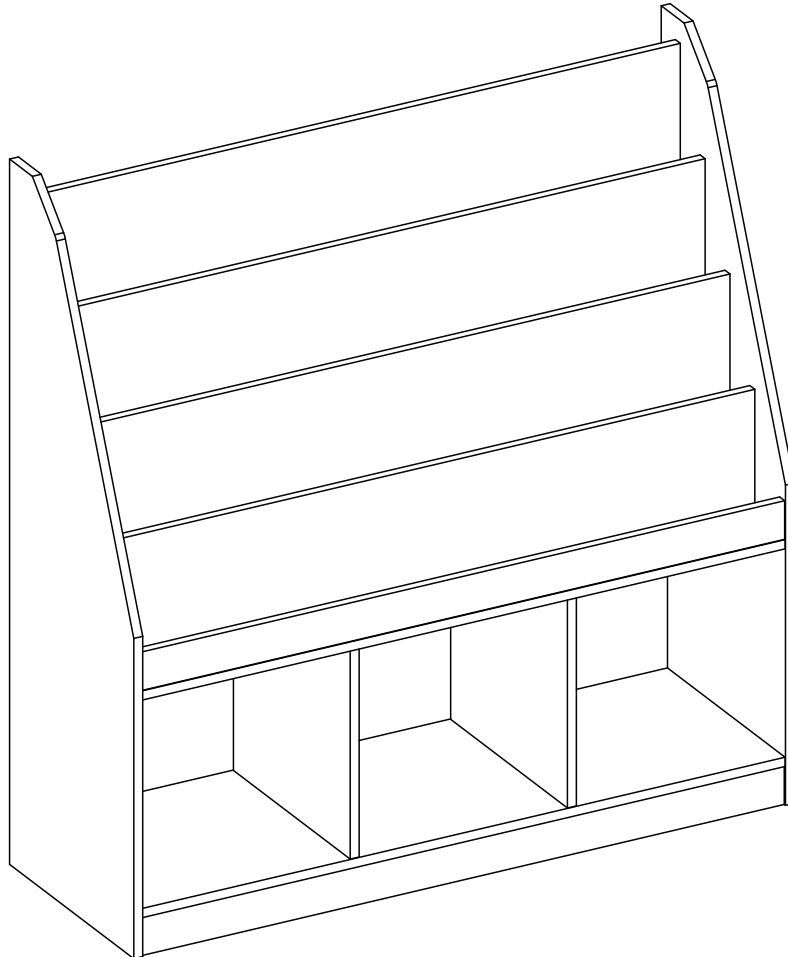
CARE INSTRUCTIONS:

Wipe clean with a water dampened cloth. Wipe dry with clean cloth.

IMPORTANT:

Keep assembly instructions for future reference.

Enjoy your new RiverRidge® Bookrack!



Thank you for purchasing this RiverRidge® Home item. We hope you enjoy it and consider purchasing other RiverRidge® items.

To order replacement parts at no cost to you, email customer.service@ssi-rr.com, call 1-(844)-223-5201 or order parts online at www.riverridgehome.com. Only valid in the United States. If purchased outside of the United States, please contact retailer where purchased.



RiverRidge® is a registered trademark of Sourcing Solutions, Inc., Hudson, WI 54016