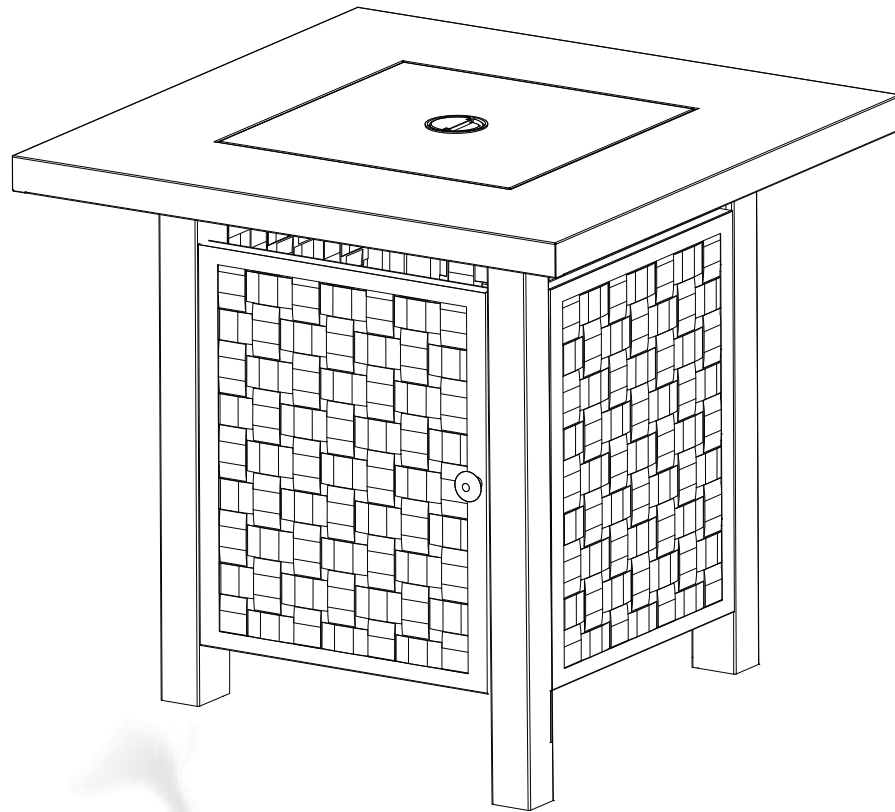


# Paramount

## Laureen Square Aluminum Convertible Fire Table

Model #: FP-441

Item #: 63459



### **WARNING** **FOR YOUR SAFETY**

1. Improper installation, adjustment, alteration, service or maintenance can cause injury or property damage.
2. Read the installation, operation, and maintenance instructions thoroughly before installing or servicing this equipment.
3. Failure to follow these instructions could result in fire or explosion, which could cause property damage, personal injury, or death.

### **WARNING**

For Outdoor Use Only



**Electronic Ignition**  
Requires 1 AA battery  
(not included)



### **ATTACH YOUR RECEIPT HERE**

Keep a copy of your proof of purchase or order confirmation which will be needed if you need to contact us about warranty coverage.

Purchase Date: \_\_\_\_\_

### Installation Precaution

This fire pit requires a minimum 18 inches of cross-ventilation in all directions.

Failure to provide proper ventilation can void the warranty.



Conforms to ANSI STD Z21.97-2014,  
Certified to CSA STD 2.41-2014 Outdoor decorative gas appliances



### **Questions, problems, missing parts?**

*Before returning to your retailer, contact our exceptional customer service.*

Contact us by email at [customercare@jrhome.com](mailto:customercare@jrhome.com) or call us toll-free at (800) 561-5550, 7:30 a.m. – 4:00 p.m., PST, Monday – Friday .

# Paramount

## TABLE OF CONTENTS

Before You Begin	Page 2
Package Contents	Page 3
Safety Information	Page 4
Assembly	Pages 5-10
Operating Instructions	Pages 11-12
Care and Maintenance	Page 13
Troubleshooting	Page 14
Warranty Information	Page 14-15
Converting from Propane to Naturals Gas	Page 16-19



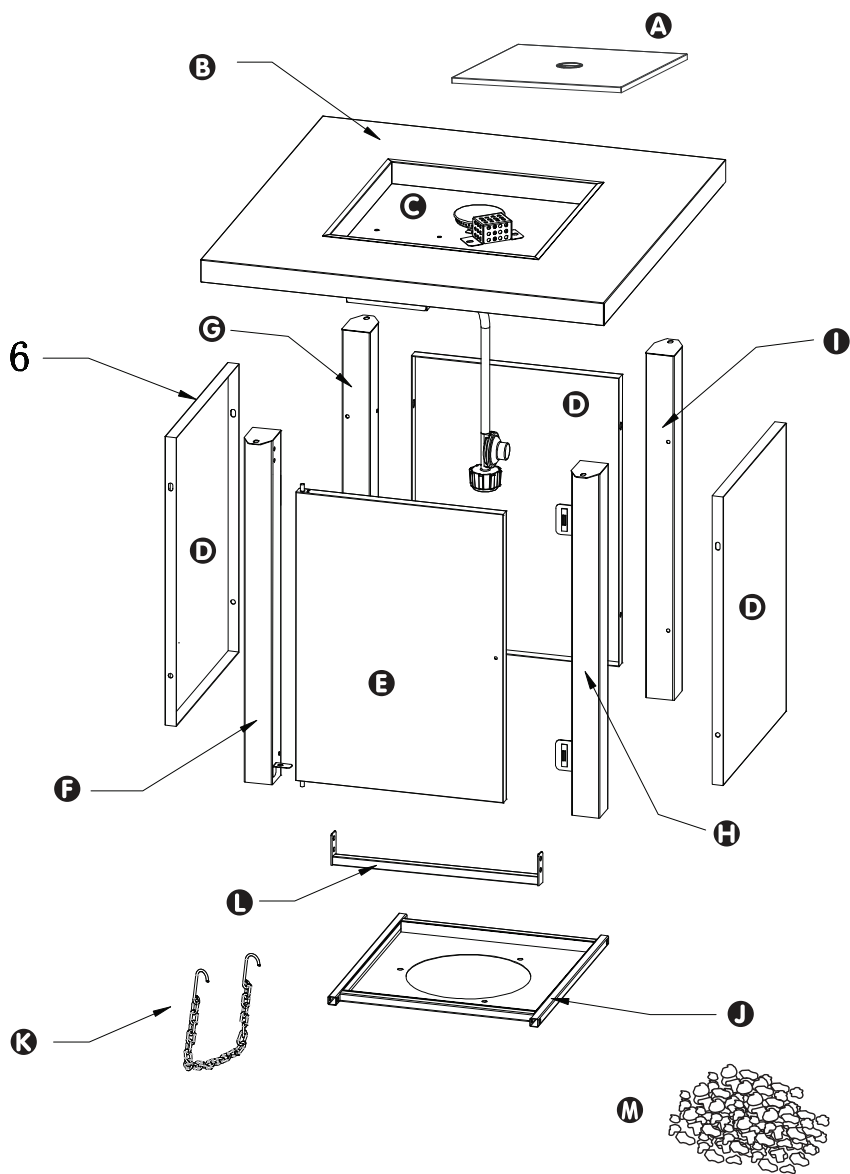
### BEFORE YOU BEGIN

Please read and understand this entire manual before attempting to assemble, operate or install this appliance. If you have any questions regarding the product, please contact the retailer.

This manual contains important information about the assembly, operation and maintenance of this LPG fire pit. General safety information is presented in the first few pages and is also located throughout this manual. Keep this manual for future reference and to educate new users of this appliance.

# PACKAGE CONTENTS

*Paramount*



PART	DESCRIPTION	QTY
<b>A</b>	Removable Burner Cover	1
<b>B</b>	Table Top	1
<b>C</b>	Firebowl	1
<b>D</b>	Side Panel	3
<b>E</b>	Door	1
<b>F</b>	Left Front Leg	1
<b>G</b>	Left Back Leg	1
<b>H</b>	Right Front Leg	1
<b>I</b>	Right Back Leg	1
<b>J</b>	Tank Platform	1
<b>K</b>	Tank Chain	1
<b>L</b>	Door Bar	1
<b>M</b>	Lava Rocks	1

**Also required but not included:**

Phillips-head screwdriver with medium blade  
AA Battery (for electronic igniter)



## HARDWARE CONTENTS



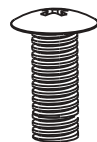
**1**  
Bolt M6x12  
Qty: 20



**2**  
Bolt M4x8  
Qty: 1



**3**  
Washer M4  
Qty: 1



**4**  
Bolt M6x35  
Qty: 4



**5**  
Knob  
Qty: 1

## SAFETY INFORMATION

This appliance has been tested to and complies with the ANSI Z21.97-2014, Outdoor Decorative Gas Appliances CGA CR 97-003 Outdoor Gas Fireplaces. The installation must conform to local codes or in the absence of local codes to the National Fuel Gas Code, ANSI Z223.1. This manual contains important information about the assembly, operation and maintenance of this fire pit. General safety information is presented in these first few pages and is also located throughout the manual. Keep this manual for future reference and to educate new users of this product. This manual should be read in conjunction with the labeling on the product. Safety precautions are essential when any mechanical or propane fueled equipment is involved. These precautions are necessary when using, storing, and servicing. Using the equipment with the respect and caution demanded will reduce the possibilities of personal injury or property damage. The following symbols (shown below) are used extensively throughout this manual. Always heed these precautions, as they are essential when using any mechanical or propane fueled equipment.

## WARNING

Failure to comply with the precautions and instructions provided with this fire pit can result in death, serious bodily injury and property loss or damage from hazards of fire, explosion, burn, asphyxiation, and/or carbon monoxide poisoning. Only persons who can understand and follow the instructions should use or service this fire pit.

## WARNING / DANGER

WARNING/DANGER indicates an imminently hazardous situation which, if not avoided, will result in death or serious injury.

## WARNING

Do not store or use gasoline or other flammable vapors and liquids in the vicinity of this or any other appliance. An LP-cylinder not connected for use shall not be stored in the vicinity of this or any other appliance.

## WARNING

Solid fuels shall not be burned in this appliance.

## DANGER

### EXPLOSION—FIRE HAZARD

- Keep solid combustibles, such as building materials, paper, or cardboard a safe distance away from the fire pit as recommended by the instructions.
- Provide adequate clearances around air openings into the combustion chamber. Never use the fire pit in spaces which do or may contain volatile or airborne combustibles, or products such as gasoline, solvents, paint thinner, dust particles, or unknown chemicals.
- During operation, this appliance can be a source of ignition. Keep fire pit area clear and free from combustible materials, gasoline, paint thinner, cleaning solvents and other flammable vapors and liquids. Do not use fire pit in areas with high dust content. Minimum fire pit clearances from combustible materials: 2 feet (24 inches) from the sides & 2 feet (24 inches) from the rear, 6 feet (72 inches) from ceiling.
- Never store propane near high heat, open flames, pilot lights, direct sunlight, other ignition sources or where temperatures exceed 120 degrees F (49 degrees C).
- Propane vapors are heavier than air and can accumulate in low places. If you smell gas, leave the area immediately.
- Never install or remove a propane cylinder while the fire pit is lighted, or near flame, pilot lights, or other ignition sources or while fire pit is hot to the touch.
- This fire pit is red hot during use and can ignite flammables too close to the burner. Keep flammables at least 6 feet (72 inches) from top and 2 feet (24 inches) from sides. Keep gasoline and other flammable liquids and vapors well away from fire pit.
- Store the propane cylinder outdoors in a well ventilated space out of the reach of children. Never store the propane cylinder in an enclosed area (house, garage, etc.). If fire pit is to be stored indoors, disconnect the propane cylinder for outdoor storage.

## WARNING

- This fire pit is fueled by propane gas. Propane gas is invisible, odorless, and flammable. An odorant is normally added to help detect leaks and can be described as having a "rotten egg" smell. The odorant can fade over time so leaking gas is not always detectable by smell alone.
- Propane gas is heavier than air and leaking propane will sink to the lowest level possible. It can ignite by ignition sources including matches, lighters, sparks, or open flames of any kind many feet away from the original leak. Use only propane gas set up for vapor withdrawal.
- Store or use propane gas in compliance with local ordinances and codes or with ANSI/NFPA 58. Turn off propane when not in use.

## DANGER

### FOR YOUR SAFETY

If you smell gas:

1. Shut off gas to the appliance.
2. Extinguish any open flame
3. If odor continues, keep away from the appliance and immediately call your gas supplier or fire department.

## WARNING

We cannot foresee every use which may be made of our fire pit. Check with your local fire safety authority if you have questions about fire pit use. Other standards govern the use of fuel gases and heat producing products for specific uses. Your local authorities can advise you about these. If no local codes exist, follow National Fuel Gas Code, ANSI Z223.1. In Canada, installation must conform to local codes. If no local codes exist, follow the current National standards of CANADA CAN/CGA-B 149.2.

## WARNING: FOR OUTDOOR USE ONLY

### CARBON MONOXIDE HAZARD

- This fire pit is a combustion appliance. All combustion appliances produce carbon monoxide (CO) during the combustion process. This product is designed to produce extremely minute, non-hazardous amounts of CO if used and maintained in accordance with all warnings and instructions. Do not block air flow into or out of the fire pit.
- Carbon Monoxide (CO) poisoning produces flu-like symptoms, watery eyes, headaches, dizziness, fatigue and possibly death. You can't see it and you can't smell it. It's an invisible killer. If these symptoms are present during operation of this product get fresh air immediately!
- For outdoor use only. Using this fire pit in an enclosed space can kill you. Never use this fire pit in an enclosed space such as a camper, tent, home, or other unventilated or enclosed area.
- This fire pit consumes air (oxygen). Do not use in unventilated or enclosed areas to avoid endangering your life.



## WARNING

Improper installation, adjustment, alteration, service or maintenance can cause property damage, injury or death. Read the installation, operation and maintenance instructions thoroughly before installing or servicing this equipment.



## PREPARATION

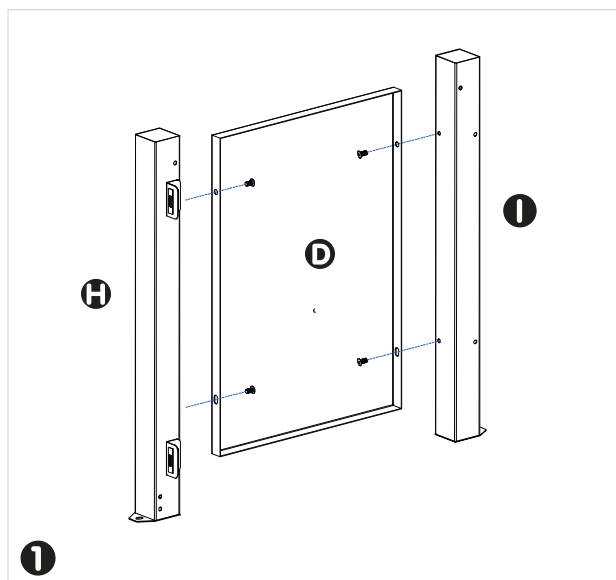
Before beginning assembly, be sure to empty contents of carton and make sure all parts are present. If any parts are missing, please contact Customer Service at [customer@jrhome.com](mailto:customer@jrhome.com) or (800)-561-5550, Monday-Friday, 7:30 a.m. – 4:00 p.m. PST.

Place all parts on a soft, level surface for assembly.

Estimated Assembly Time: 60 Minutes | DO NOT over tighten hardware!

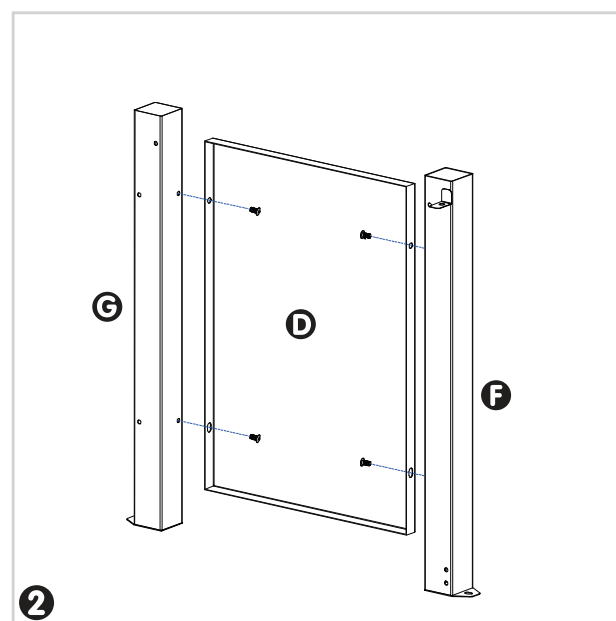
- Working upside-down, attach the **Right Front Leg H** to a **Side Panel D** using 2 **Bolts I** inserted through the edge of the **Side Panel** and into the **Leg**. Attach the **Right Back Leg I** to the opposite side of the **Side Panel** in the same manner.

Hardware: **I Bolt (M6x12) x 4**



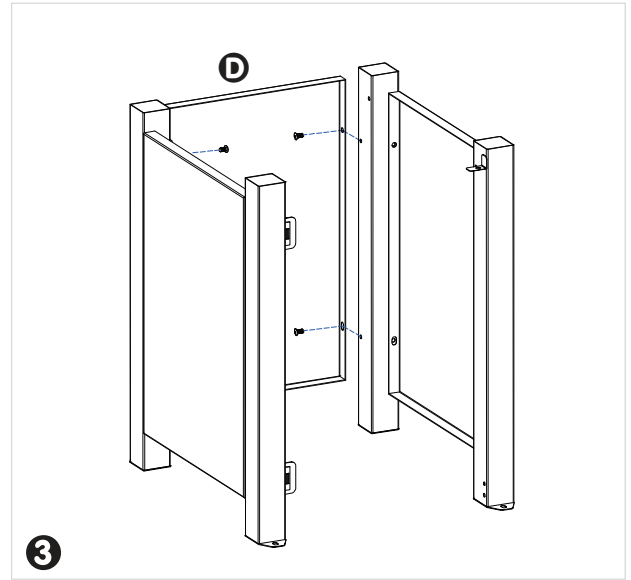
- Still working upside-down, attach the **Left Front Leg F** to a **Side Panel D** using 2 **Bolts I** inserted through the edge of the **Side Panel** and into the **Leg**. Attach the **Left Back Leg G** to the opposite side of the **Side Panel** in the same manner.

Hardware: **I Bolt (M6x12) x 4**



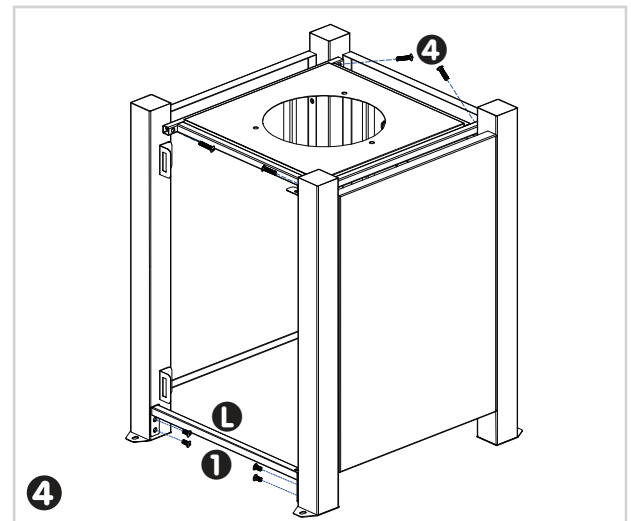
**3** Install the final Side Panel **D** between the Back Legs using 4 Bolts **1**.

Hardware: **1** Bolt (M6x12) x 4



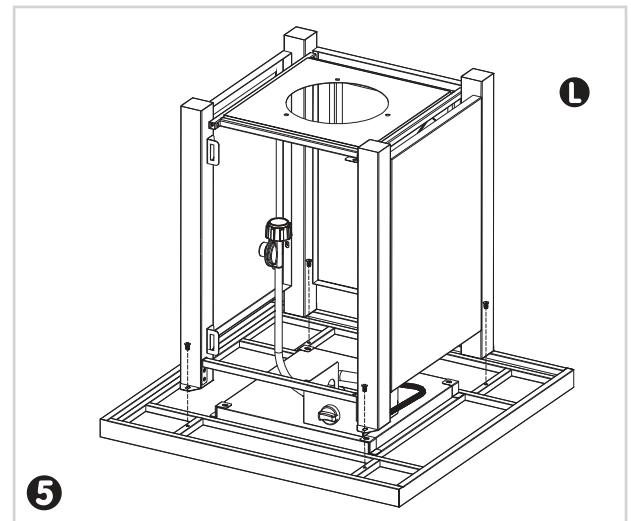
**4** Install the Tank Platform **1**, securing by inserting a Bolt **1** through the holes near each corner of the Platform and into each Leg. Install the Door Bar **L** between the Front Legs using 4 Bolts **4**.

Hardware: **1** Bolt (M6x12) x 4  
**4** Bolt (M6x35) x 4



**5** On a non-abrasive surface, turn the Table Top **B** upside-down. Remove the 4 pre-installed bolts in the underside. Position the assembled table base so the eyelets at the top of each leg line up with the bolt holes. Reinstall the 4 bolts. Carefully turn the unit back upright.

Hardware: Pre-installed Bolts (M6x12) x 4

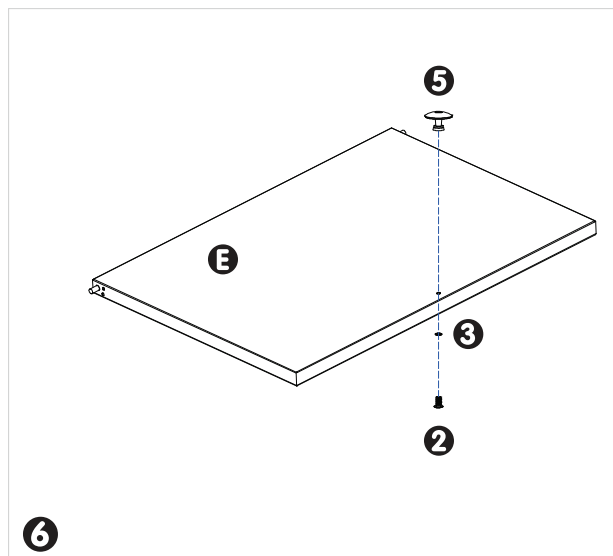
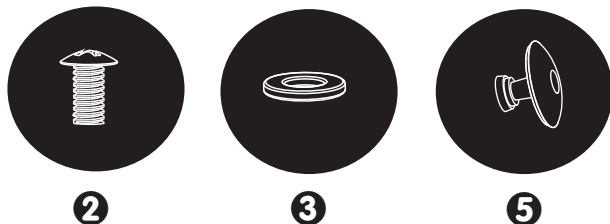


**WARNING:**

*This fire pit is constructed of aluminum, a relatively soft, flexible metal. Never sit, stand, or lean heavily on the top of the fire pit, which can cause bending or warping.*

**6** Attach the **Knob 5** to the **Door 6**. Place the **Washer 3** onto the **Bolt 2**, then insert through the hole in the **Door** from inside. Screw the **Knob** onto the threads of the **Bolt**.

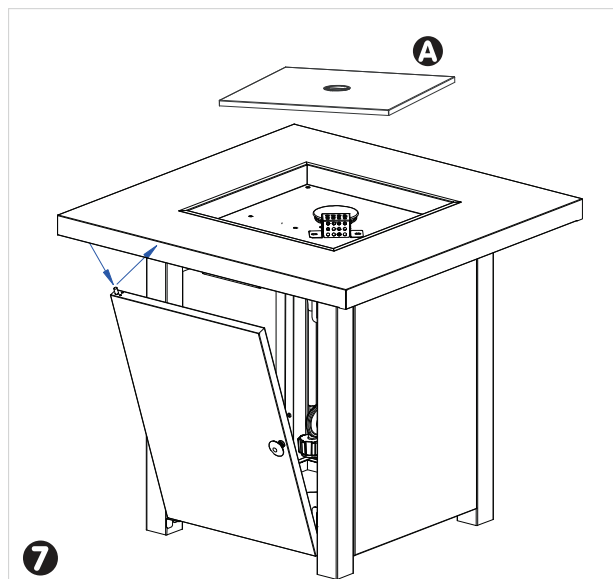
Hardware:  
**2** Bolt (M4x8) x 1  
**3** Washer (M4) x 1  
**5** Knob x 1



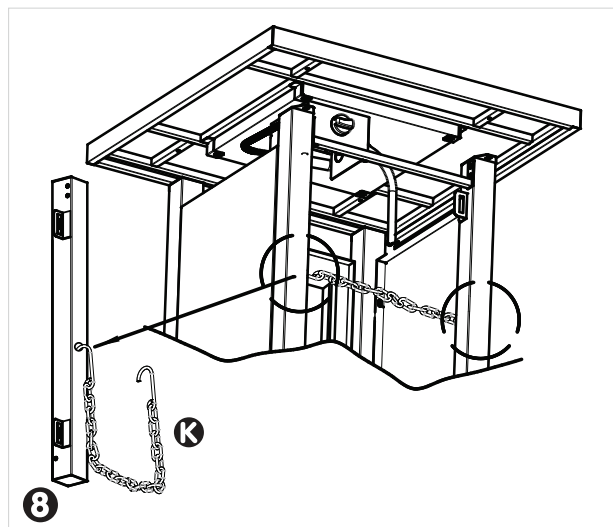
**7** Insert the pin at the bottom left of the **Door 6** into the hole in the door support at the inside bottom of the **Left Front Leg**.

Depress the pin at the top left of the **Door**, then move the door vertically into position and allow the pin to pop up into the hole at the bottom left of the **Door Bar**.

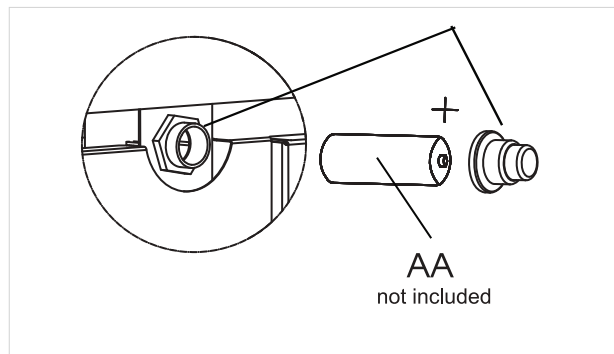
Place the **Removable Burner Cover A** over the **Firebowl**.



**8** Hook the **Tank Chain K** across the open side of the fire pit, between the **Front Legs** by inserting the hook at either end into the holes midway down either **Leg**.



**9** Open the Door to access the controls. Unscrew the rubber cap of the electronic igniter. Insert a AA battery with the positive end facing out, then replace the rubber cap.

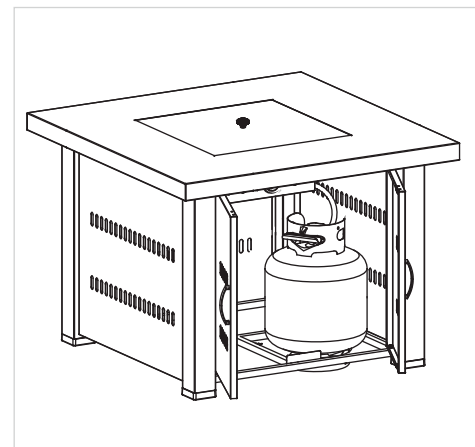
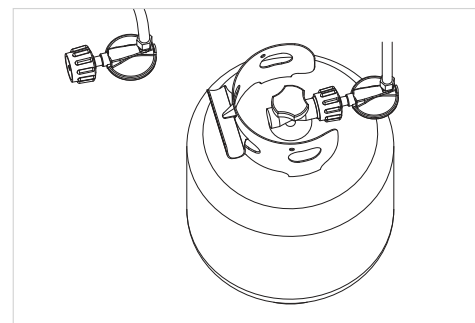
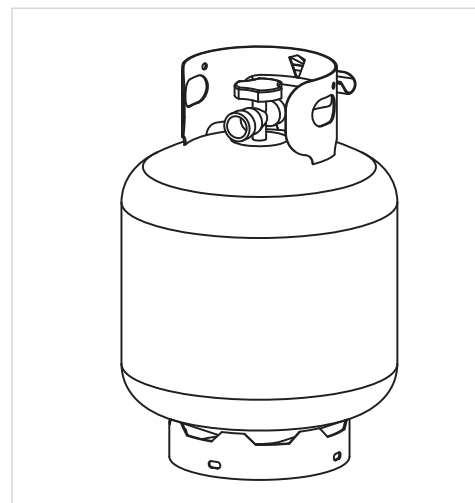


**10** Connect hose and regulator to cylinder. The propane gas and cylinder are sold separately. Use a standard 20lb propane cylinder only. Use this fire pit only with a propane vapor withdrawal supply system. See chapter 5 of the standard storage and handling of liquefied petroleum gas, ANSI/NFPA 58. Your local library or fire department should have this book.

Storage of an appliance indoors is permissible only if the cylinder is disconnected and removed from the appliance. A cylinder must be stored outdoors in a well-ventilated area out of the reach of children. A disconnected cylinder must have dust caps tightly installed and must not be stored in a building, garage or any other enclosed area. The maximum inlet gas supply pressure: 250 PSI, the minimum inlet gas supply pressure: 5 PSI.

The minimum hourly of 10,000 BTU is required input rating for a fire pit for automatic operation at ratings less than full input rating. The pressure regulator and hose assembly supplied with the appliance must be used.

The installation must conform with local codes, or in the absence of local codes, with national fuel gas code, ANSI Z223.1/NFPA54, natural gas and propane Installation Code, CSA B 149.1, or propane storage and handling code, B149.2.





A dented, rusted or damaged propane cylinder may be hazardous and should be checked by your cylinder supplier. Never use a propane cylinder with a damaged valve connection.

The propane cylinder must be constructed and marked in accordance with the specifications for LP gas cylinders of the U.S. Department of Transportation (DOT) or the standard for cylinders, spheres and tubes for transportation of dangerous goods and commission, CAN/CSA-B339.

The cylinder must have a listed overfilling prevention device.

The cylinder used must include a collar to protect the cylinder valve.

Never connect an unregulated propane cylinder to the fire pit.

Attach regulator to cylinder. Complete attachment. Install cylinder.

- Do not store a spare LP gas cylinder under or near this appliance;
- Never fill the cylinder beyond 80 percent full;
- Place the dust cap on the cylinder valve outlet whenever the cylinder is not in use. Only install the type of dust cap on the cylinder valve that is provided with the cylinder valve. Other type of caps or plugs may result in leakage of propane.

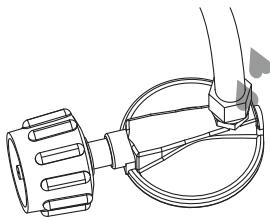
**ATTENTION: THIS PRODUCT IS NOT FOR COMMERCIAL USE. IT IS INTENDED FOR RESIDENTIAL USE ONLY.**

- **Do not sit or stand on this table.**
- **Keep children away during assembly. This item contains small parts which can be swallowed by children.**
- **Do not use indoors or inside any enclosure.**
- **Retain the assembly instructions for future reference.**
- **Installer — please leave these instructions with the owner.**

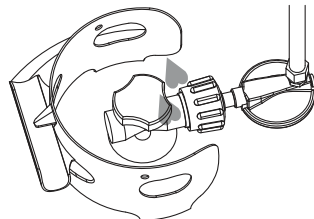
## LEAK CHECK

### ⚠️ WARNING!

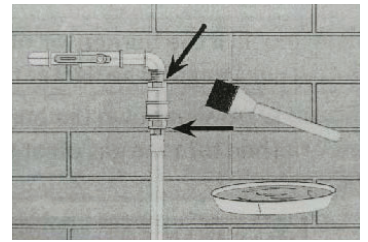
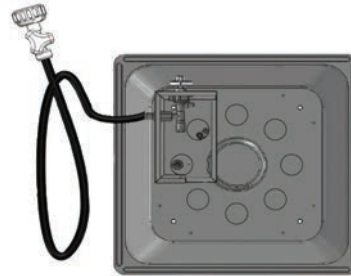
- Perform all leak tests outdoors.
- Extinguish all open flames.
- NEVER leak test when smoking.
- Do not use the fire pit until all connections have been leak tested and do not leak.



Hose / Regulator  
Connection



Regulator / Cylinder  
Connection



1. Make 2-3 oz. of leak test solution (one part liquid dishwashing detergent and three parts water).
2. Apply several drops of solution where hose attaches to regulator.
3. Apply several drops of solution where regulator connects to cylinder.
4. Make sure all valves are turned OFF.
5. Turn cylinder valve ON.

**If bubbles appear at any connection there is a leak.**

1. Turn cylinder valve OFF.
2. If leak is at hose/regulator connection: tighten connection and perform another leak test. If bubbles continue appearing, the hose should be returned to the place of purchase.
3. If leak is at regulatory/cylinder valve connection: disconnect, reconnect, and perform another leak test. If you continue to see bubbles after several attempts, cylinder valve is defective and should be returned to cylinder's place of purchase.

**If NO bubbles appear at any connection, the connections are secure.**

**NOTE: Whenever gas connections are loosened or removed, you must perform a complete leak test. Complete installation.**

## CAUTION

Do not attempt to operate until you have read and understand all General Safety Information in this manual, all assembly is complete, and leak test has been performed.

### DANGER!

#### FOR OUTDOOR USE ONLY



#### CARBON MONOXIDE HAZARD

Never use this inside a house or other unventilated or enclosed areas. This fire pit consumes air (oxygen). Do not use in unventilated or enclosed areas to avoid endangering your life.

### WARNING

#### Very hot while in operation!

Never lean over the fire pit while in use. Do not touch Table Top or burner Assembly while the fire pit is in operation. Fire pit will be hot after use. Handle with care. Wait until fire pit has cooled down after use before placing lid on Table Top or touching any surfaces. Failure to follow these instructions may result in serious bodily injury.

### WARNING

#### FOR YOUR SAFETY

Be careful when attempting to manually ignite this fire pit. Holding in the control knob for more than 10 seconds before igniting the gas will cause a ball of flame upon ignition.



## OPERATION CHECKLIST:

For a safe and pleasant heating experience, review this checklist before each use:

- I am familiar with entire owner's manual and understand all precautions noted.
- All components are properly assembled, intact, and operable.
- No alterations have been made.
- All gas connections are secure and do not leak.
- Wind velocity is below 10mph.
- I understand the unit will operate at reduced efficiency below 40°F.
- I understand the fire pit is for outdoor use (outside any enclosure).
- There is adequate fresh air ventilation.
- Fire pit is away from gasoline and other flammable liquids or vapors.
- Fire pit is away from windows, air intake openings, sprinklers, and other water sources.
- Fire pit is at least two (2) feet on all sides/front/back and six (6) feet overhead from combustible materials.
- Fire pit is on a hard and level surface.
- There are no signs of spider/insect nests in fire pit orifices.
- All burner passages and air circulation passages are clear.
- I understand children and adults should be alerted to the hazard of high surface temperatures and should stay away to avoid burns or clothing ignition.
- I understand young children should be carefully supervised when they are in the area of the fire pit.
- I understand clothing or other fabric material should not be hung from the fire pit or placed on or near the fire pit.
- I understand that any guard or other protective device removed for servicing the fire pit must be replaced prior to operating the fire pit.
- I understand installation and repair should be done by a qualified service person, and that the fire pit should be inspected before each use and at least annually by a qualified service person.
- I understand that more frequent cleaning may be required as necessary and that it is imperative that the control compartment, burner, and circulating air passageways of the fire pit be kept clean.
- The fire pit is constructed of aluminum, a relatively soft/flexible metal, and I should not allow anyone to sit or lean heavily on the top of the fire pit, which can cause bending or warping.



## BEFORE TURNING GAS SUPPLY ON:

1. Your fire pit was designed and approved for outdoor use only. Do NOT use it inside a building, garage, or any other enclosed area.
2. Make sure surrounding areas are free of combustible materials, gasoline, and other flammable vapors or liquids.
3. Ensure that there is no obstruction to air ventilation. Be sure all gas connections are tight and there are no leaks.
4. Be sure the cylinder is clear of debris. Be sure any component removed during assembly or servicing is replaced and fastened prior to starting.

# OPERATING INSTRUCTIONS

# Paramount

**NOTE:** This model has an Electronic Igniter and requires one AA battery. Unscrew IGNITER BUTTON to install. Refer to Step 9.



Electronic igniter requires AA battery



**! DANGER!**

**FOR OUTDOOR USE ONLY**



**CARBON MONOXIDE HAZARD**

Never use this fire pit inside a house or other unventilated or enclosed areas. This fire pit consumes air (oxygen). Do not use in unventilated or enclosed areas to avoid endangering your life.

## BEFORE LIGHTING:

1. Smell all around the unit area for gas. Be sure to smell near the floor, because gas is heavier than air and will settle to the lowest point. If you smell gas, shut off the gas to the appliance, extinguish any open flame, and if odor persists, call your gas supplier or the fire department.
2. Fire pit should be thoroughly inspected before each use, and by a qualified service person at least annually. If relighting a hot fire pit, always wait at least 5 minutes.
3. Inspect hose assembly for evidence of excessive abrasion, cuts, or wear. Suspect areas should be leak tested. If the hose leaks, it must be replaced prior to operation. Only use the replacement hose assembly specified by manufacturer.

## WHEN FIRE PIT IS ON:

Burner will display tongues of blue and yellow flame. These flames should not produce thick black smoke, indicating an obstruction of airflow through the burners. If excessive flame is detected, turn off fire pit and consult the **Troubleshooting** section of this manual.

## LIGHTING:

**NOTE:** Use only your hand to depress or turn the gas control knob. Never use tools. If the knob will not depress or turn by hand, DO NOT try to repair it. Call a qualified professional service technician. Force or attempted repair may result in fire or explosion and will void the warranty.

1. Turn the control knob to "OFF" position (Fig. A).
2. Fully open LP cylinder valve. **Note: For initial start or after any cylinder change, hold Control Knob IN for 2 minutes to purge air from gas lines before proceeding.**
3. Depress and turn the control knob counterclockwise to HIGH – counterclockwise 90° (Fig. B). Continue to depress the control knob for 3-5 seconds.
4. While holding control knob in, push the Electronic Ignition button to ignite the main burner. (The ignition will produce a soft snapping/crackling sound. If the fire pit does not light and there is no snapping sound, replace the battery.)
5. After fire pit lights, wait 10 seconds, then release control knob.
6. Observe the flame height when lit. Flame should reach between 3 and 13 inches in height. Overly short or tall flame can indicate a problem.
7. To decrease the flame, turn the control knob clockwise to LOW (Fig. C). To increase the flame, turn the control knob counterclockwise to HIGH (Fig. B).

**NOTE: If burner fails to remain lit, close all valves and wait at least 5 minutes before attempting to light.**

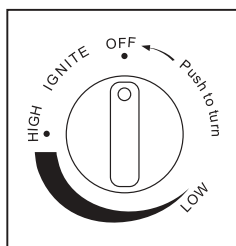
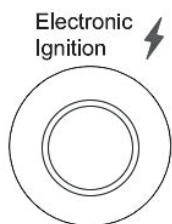


Figure A

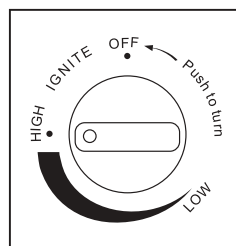


Figure B

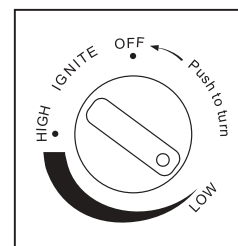
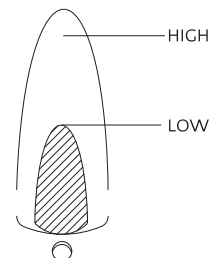


Figure C



## SHUT DOWN:

1. To extinguish burner depress control knob and turn it clockwise to OFF.
2. Turn cylinder valve clockwise to OFF and disconnect regulator when fire pit is not in use.

## AFTER-OPERATION CHECKLIST:

1. Gas control knob is in OFF position.
2. Gas tank valve is OFF.
3. Gas line is disconnected.

To enjoy years of outstanding performance from your fire pit, make sure you perform the following maintenance activities on a regular basis:

1. Use warm soapy water for cleaning. Never use flammable or corrosive cleaning agents.
2. While cleaning your unit, be sure to keep the area around the burner and control compartment dry at all times. Do not submerge the control valve assembly. If the gas control is submerged in water, do NOT use it. It must be replaced. Make sure fire pit has cooled completely before cleaning or covering with a cover.
  - A. Keep the appliance area clear and free from combustible materials, gasoline and other flammable vapors and liquids.
  - B. Do not obstruct the flow of combustion and ventilation air.
  - C. Keep the ventilation opening(s) of the cylinder enclosure free and clear from debris.
3. Air flow must be unobstructed. Keep controls, burner, and circulating air passageways clean. Signs of possible blockage include:
  - Gas odor with extreme yellow tipping of flame.
  - Fire pit does NOT reach the desired temperature.
  - Fire pit glow is excessively uneven.
  - Fire pit makes popping noise.
  - Spiders and insects can nest in burner or orifices. This dangerous condition can damage fire pit and render it unsafe for use. Clean burner holes by using a heavy-duty pipe cleaner. Compressed air may help clear away smaller particles.
  - Carbon deposits may create a fire hazard. Clean burner screen with warm soapy water if any carbon deposits develop.



Note: In a salt-air environment (such as near an ocean), corrosion occurs more quickly than normal. Frequently check for corroded areas and repair them promptly.

## SERVICE:

Only a qualified service person should repair gas passages and associated components.

## WARNING

### FOR YOUR SAFETY

- Do NOT touch or move fire pit for at least 45 minutes after use.
- Burner is hot to the touch.
- Allow burner to cool before touching.

## STORAGE:

### Between uses:

- Turn control knob OFF.
- Disconnect LP source.
- Store fire pit in an area sheltered from direct contact with inclement weather (such as rain, sleet, hail, snow, dust and debris).
- If desired, cover fire pit to protect exterior surfaces and to help prevent build-up in air passages.

### During periods of extended inactivity or when transporting:

- Turn control knob OFF.
- Disconnect LP source and move to a secure, well-ventilated location outdoors.
- Store fire pit in an area sheltered from direct contact with inclement weather (such as rain, sleet, hail, snow dust and debris).
- If desired, cover fire pit to protect exterior surfaces and to help prevent build-up in air passages. Never leave LP cylinder exposed to direct sunlight or excessive heat.

**Note:** Wait until fire pit is cool before covering.

**Caution:** Always allow fire pit to cool before attempting service.

PROBLEM	POSSIBLE CAUSE	CORRECTIVE ACTION
Burner will not light	Propane cylinder is frosted over	Wait until the propane cylinder warms up and becomes unfrosted
	Blockage in orifice	Clear blockage
	Control knob is not in ON position	Turn control knob to ON
Burner flame is low	Gas pressure is low	Turn cylinder valve OFF and replace cylinder
	Outdoor temperature is less than 40°F and tank is less than 1/4 full	Use a full cylinder
	Control knob fully ON	Check burner and orifices for blockage
Carbon build-up Thick Black Smoke	Dirt or film on burner screen	Clean burner screen
	Blockage in burner	Remove blockage and clean burner screen inside and outside.

## Warranty And Reviews



### Extend Your Warranty By Leaving A Review

We want your opinion about your purchase...and we want you to tell everyone about it!

Just leave a review for the product on the retailers website where you made your purchase, or at [www.jrhome.com](http://www.jrhome.com), and fill in the online warranty at [www.jrhome.com/warranty-registration](http://www.jrhome.com/warranty-registration) within 30 days of purchase to receive a complimentary extra year of warranty protection.

Follow us on:



#jrhome #paramount

# IMPORTANT

For questions, concerns or problems with our product please email our customer service department:

**customercare@jrhome.com**

DATED PROOF OF PURCHASE REQUIRED FOR WARRANTY SERVICE

Si vous éprouvez des difficultés ou si vous avez des questions ou des préoccupations, prière de faire parvenir un courriel à notre service à la clientèle

**customercare@jrhome.com**

UNE PREUVE D'ACHAT DATÉE EST REQUISE POUR SE PRÉVALOIR DE LA GARANTIE.

## WARRANTY

This product is inspected, tested and carefully packaged to minimize the chance of damage during shipment. If a part (excluding light bulbs, glass and fuses\*) within one year from the date of purchase proves to be defective in material or fabrication under normal use, the part will be repaired or replaced. The Company's obligation under the warranty is to replace or repair defective parts at our discretion. Any expenses or damage resulting from the installation, removal or transportation of the product will be the responsibility of the owner and are not covered by this warranty. The owner assumes all other risks arising from the use or misuse of the product. The warranty will be void if the product damage or failure is deemed by the Company to be caused by accident, alteration, misuse, abuse, incorrect installation or removal, or connection to an incorrect power source by the owner. The Company neither assumes, nor authorizes any person or entity to assume for it any obligation or liability associated with its products. Light bulbs and fuses are not covered under this warranty. If you have any questions regarding the warranty or service, please contact us at **customercare@jrhome.com**.

Customer Service :

JR Home Products

Unit 306 - 19100 Airport Way, Pitt Meadows, BC V3Y 0E2

Toll Free : 1-800-561-5550

E-mail : **customercare@jrhome.com**

## AVERTISSEMENT

Ce produit a été soigneusement inspecté, testé et emballé afin de minimiser les risques de dommages durant le transport. Si l'une des pièces (à l'exception des verres, des ampoules électriques et des fusibles\*) s'avère défectueuse au niveau de sa fabrication ou de ses matériaux dans l'année qui suit la date de l'achat suite à une utilisation normale, la pièce sera réparée ou remplacée. La compagnie est tenue de réparer ou remplacer les pièces défectueuses à sa discrétion, en vertu de la garantie. Tous frais ou dommage résultant de l'installation, du démantèlement ou du transport du produit demeurent la responsabilité du client et n'est pas couvert par cette garantie. Le client assume tout autre risque résultant de l'utilisation correcte ou fautive du produit. La garantie devient nulle si la compagnie détermine que le dommage ou le mauvais fonctionnement est causé par un accident, une modification, une mauvaise utilisation, un abus, une mauvaise installation ou un mauvais démantèlement ou un branchement à une source électrique inadéquate de la part du client. La compagnie n'est pas responsable et n'autorise quiconque, personne ou entité légale, à accepter de responsabilité ou obligation en son nom, en rapport avec ses produits. \* Les ampoules électriques et les fusibles ne sont pas couverts par cette garantie. Pour toute question au sujet de la garantie ou du service, contacter le service à la clientèle à : **customercare@jrhome.com**.

Service à la clientèle:

JR Home Products

Unit 306 - 19100 Airport Way, Pitt Meadows BC V3Y 0E2 Numéro

sans frais: 1-800-561-5550

Courriel: **customercare@jrhome.com**

**You MUST register your product within 30 days of purchase to receive warranty service.**

**Registration can be completed online at [www.jrhome.com](http://www.jrhome.com) or by mailing this form.**

**Vous DEVEZ enregistrer votre produit dans les 30 jours suivant l'achat pour bénéficier du service de garantie.**

**L'enregistrement sera complet une fois que vous aurez posté ce formulaire ou que vous serez inscrit en ligne.**



## Warranty Registration Information Form / Formulaire d'enregistrement de la garantie

Name / Nom : \_\_\_\_\_

Street / Adresse : \_\_\_\_\_

City / Ville : \_\_\_\_\_

Province / Province : \_\_\_\_\_

Postal Code / Code postal : \_\_\_\_\_

Daytime Phone # / No téléphone jour : \_\_\_\_\_

Evening Phone # / No téléphone soir : \_\_\_\_\_

E-Mail Address / Courriel : \_\_\_\_\_

Product/Produit : \_\_\_\_\_

Place of Purchase / Lieu de l'achat : \_\_\_\_\_

Date of Purchase / Date de l'achat : \_\_\_\_\_

Model # / No de modèle : \_\_\_\_\_

Serial # / Numéro de série : \_\_\_\_\_

You MUST register your product to receive warranty service.

For warranty service, contact J&R Home Products at the address, phone numbers listed below within 30 days of purchase. Be sure to have your sales receipt and original date of purchase. All warranty service will be coordinated by J&R Home Products service center.

Vous DEVEZ enregistrer votre produit pour vous prévaloir de la garantie.

Afin de faire valoir la garantie, communiquez avec J&R Home Products à l'adresse et aux numéros indiqués ci-dessous dans les 30 jours suivant la date d'achat. Ayez en main votre reçu et la date d'achat. Toutes les demandes liées aux garanties seront traitées par le centre de service de J&R Home Products.

# CONVERTING FROM LIQUID PROPANE (LP) TO NATURAL GAS (NG) *Paramount*



## WARNING

MAKE SURE ALL CONTROL KNOBS & CYLINDER VALVE ARE IN OFF POSITION BEFORE CONVERTING.

This appliance is portable and shipped from the factory for use with Liquid Propane (LP Gas), which is delivered to the grill from removable tanks (LP tanks and their use are covered elsewhere in this manual). If a Natural Gas connection is available, the user may wish to change the gas delivery system to the more permanent Natural Gas supply.

This appliance is certified for use with either Liquid Propane (LP Gas) or Natural Gas and comes complete with the necessary parts to convert the appliance for use with Natural Gas hose and regulator (sold separately). The conversion valves allows the use of Natural Gas without replacing the burners or entire valve system.

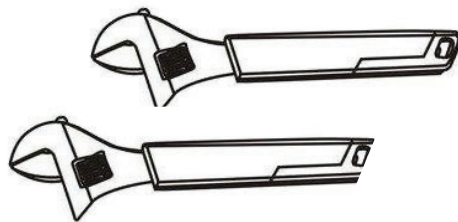
A qualified gas technician is required to do the conversion. Your warranty may be voided if the conversion is improperly completed. Please retain the parts supplied with the appliance and these instructions so the technician can do the conversion.

### Orifice Chart

The different burner valves in this appliance have different BTU ratings. The holes in the fittings are orifices themselves drilled to different sizes so as to allow the proper amount of gas to flow through them. Please note the chart below to give an easy reference for the various orifice opening sizes for the different valves in the appliance.

Propane (manifold pressure 11")		NG (manifold pressure 7")	
Orifice Size	Input Rate [BTU/h]	Orifice Size	Input Rate [BTU/h]
2.3mm	55000	3.78mm	55000

NG Hose and Regulator Conversion tools required:



Adjustable Wrench (2)



## WARNING

Make sure all appliance components are completely cooled and gas supply is turned off and removed from the appliance prior to performing the conversion.



**WARNING!** To avoid the possibility of burns conversions should only be done when the burner is turned off. Turn gas off at source and disconnect the burner before beginning conversion.

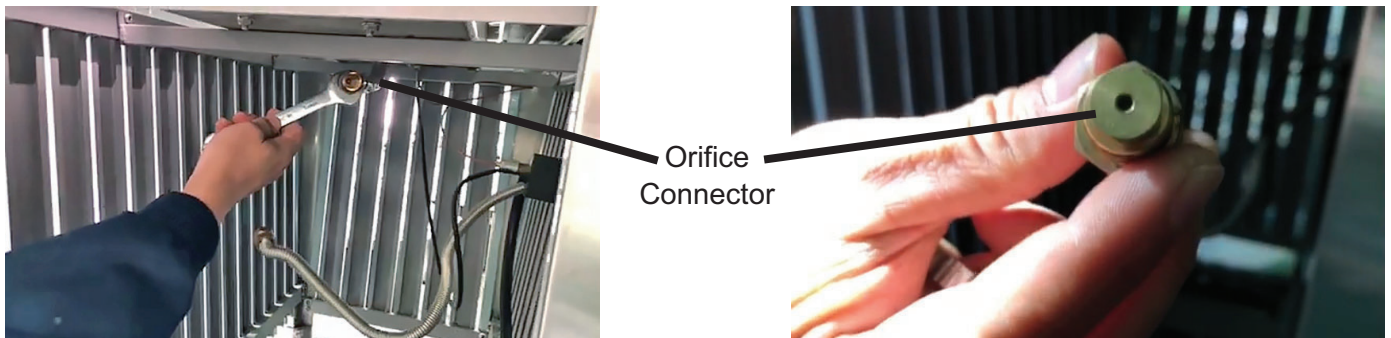
**WARNING!** This conversion must be performed by a licensed gas fitter and all connections must be leak tested before operating the appliance.

Your burner comes from the factory set up for propane but it can be easily converted to natural gas by following these steps:

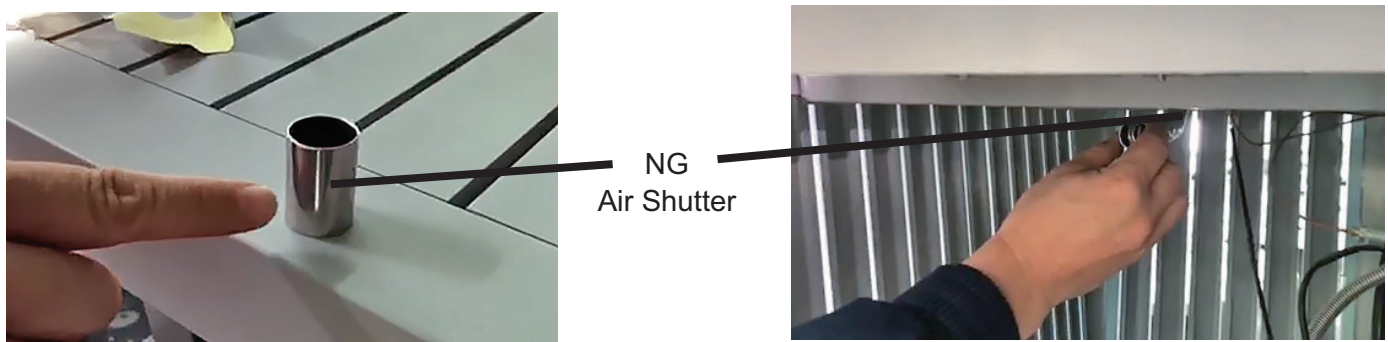
1. Disconnect the flex line from the burner using wrench.



2. Remove orifice connector using wrench.

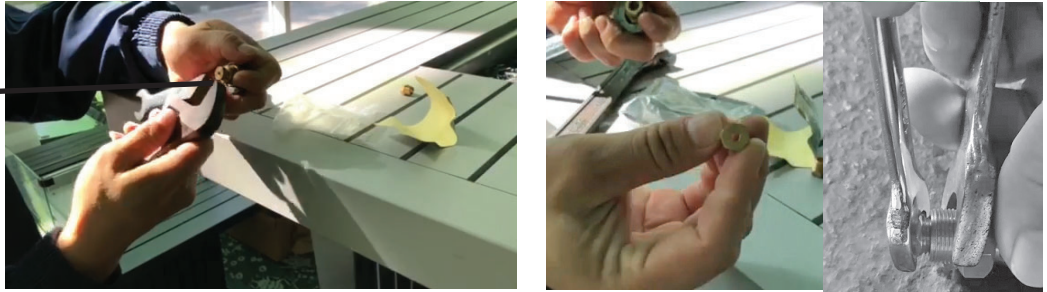


3. Install the natural gas air shutter from the parts bag.



4. Separate the two parts of the orifice connector by using two wrenches.

Orifice Connector



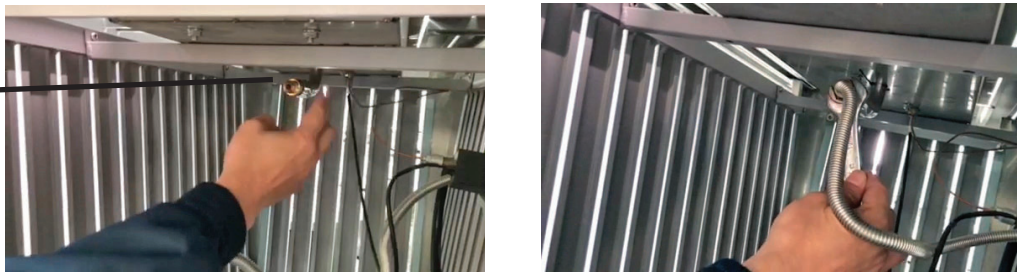
5. Replace the propane orifice with the natural gas orifice and retighten with wrenches.

Natural Gas Orifice



6. Insert the Orifice holder into the air shutter. Re-attach flex hose. Tighten with wrench.

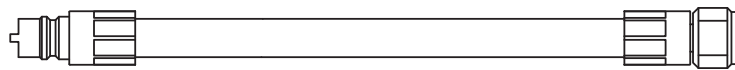
Orifice Connector  
in Air Shutter



7. Connect NG hose to the burner control with a wrench. Connect the quick connect adapter to the NG supply valve.



Quick Connect Natural Gas Adapter  
(Not Included)



Quick Connect Natural Gas (NG) Hose  
(Not Included)

PART# NL-NGHOSE  
[www.paramountathome.com](http://www.paramountathome.com)

8. Connect the NG hose to the Quick Connect adapter.

9. Fill out the conversion label included with your burner and apply it to the inside of the control panel access door.

**A leak test must be performed according to the leak testing instructions found in the manual.**

**Natural Gas Hook-Up**

The gas appliance is designed to operate at an inlet pressure of 7 inches water column. The piping up to the appliance is the responsibility of the installer. Connect the inlet valve to rigid pipe, copper tube or an approved flexible metal connector, which complies with Z21.4/CSA 6.10. If using a gas hose(not supplied) connect the flared end of the hose to the connector on the end of the inlet valve. Tighten using two wrenches. (Do not use thread sealer/pipe dope.) Leak test all joints prior to using the appliance. Piping and valves upstream of the quick disconnect are not supplied. The gas supply pipe must be sufficiently sized to supply the BTU/h specified on the rating plate, based on the length of the piping run. The quick disconnect must not be installed in an upward direction and a readily accessible manual shut-off valve must be installed upstream of, and as close to, the quick disconnect as is feasible.

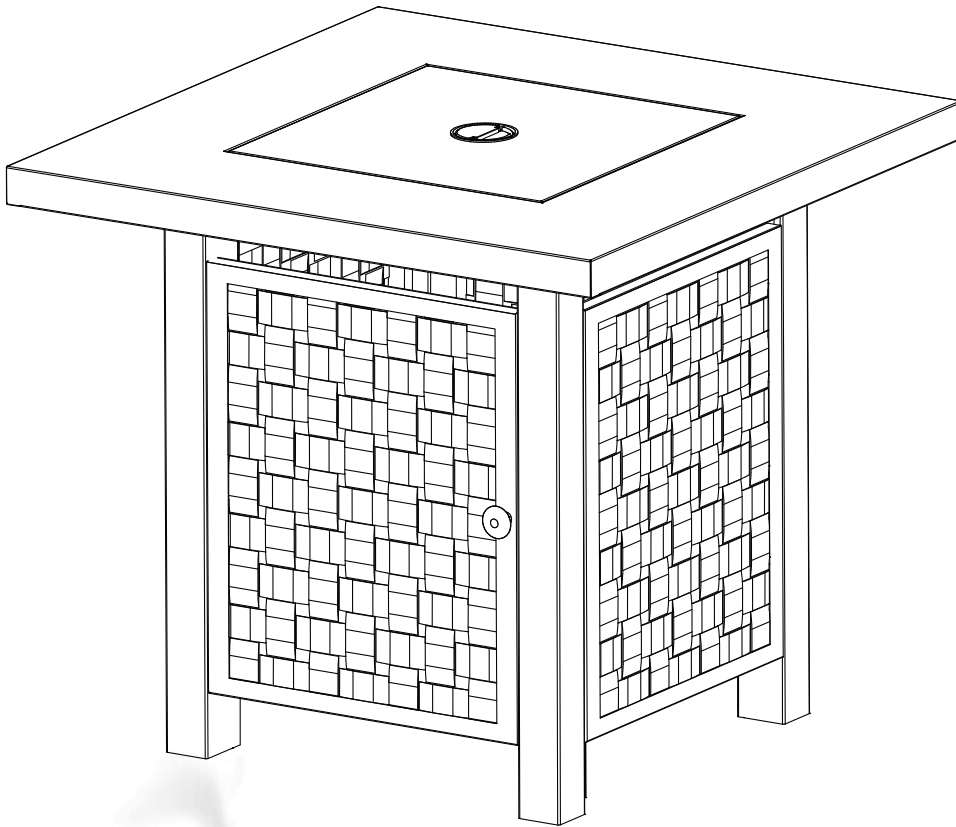
**Purge the gas supply line of any trapped air prior to the first firing of the unit.**

**WARNING!**

- The installation must be performed by a licensed gas fitter, and all connection must be leak tested before operating the appliance.
- Ensure all hose connections are tightened using two wrenches. Do not use Teflon tape or pipe dope on any hose connection.
- Ensure the hose does not contact any high temperature surfaces or it may melt and leak causing a fire.
- Locate the hose out of pathways where people may trip over it or in areas where the hose may be subject to accidental damage.
- Leak test all the connections using a soap and water solutions as per the leak testing instructions found in the manual.

# Paramount

## Carrée en aluminium Laureen table convertible en foyer d'extérieur



er nécessite un minimum de 18 pouces  
de ventilation dans toutes les directions.  
Le fait de ne pas avoir une ventilation adéquate  
peut annuler la garantie.



Conforme aux normes ANSI STD Z21.97-2014 Homologué CSA STD  
2.4-2014 Extérieur appareils au gaz décoratifs

N° de modèle: FP-441

N° D'Article: 63459



### AVERTISSEMENT POUR VOTRE SÉCURITÉ

1. Une installation, un réglage, une modification, une utilisation ou un entretien inadéquat peuvent causer des blessures ou des dommages matériels.
2. Lisez attentivement les instructions sur l'installation, l'utilisation et l'entretien avant d'installer ou de faire l'entretien de cet appareil.
3. Le non-respect de ces instructions peut causer un incendie ou une explosion et entraîner des dommages matériels, des blessures ou la mort.



**AVERTISSEMENT**  
Utilisation à l'extérieur seulement.



**AVERTISSEMENT**  
Les combustibles solides ne brûleront pas dans cet appareil.



**\*Allumeur électronique! \***  
Nécessite une batterie AA  
(non inclus)



### ATTACHEZ VOTRE REÇU ICI

Conservez une copie de votre preuve d'achat. Elle pourrait être nécessaire si vous nous contactez au sujet de la couverture de votre garantie.

Date d'achat: \_\_\_\_\_



### Des questions, des problèmes, des pièces manquantes?

Avant de retourner chez votre détaillant, contactez notre excellent service à la clientèle.

Contactez-nous par email à [customercare@jrhome.com](mailto:customercare@jrhome.com) ou appelez-nous sans frais à  
(800) 561-5550, 7:30 a.m. - 4:00 p.m., HAP, Lundi - Vendredi

## TABLE DE MATIÈRES

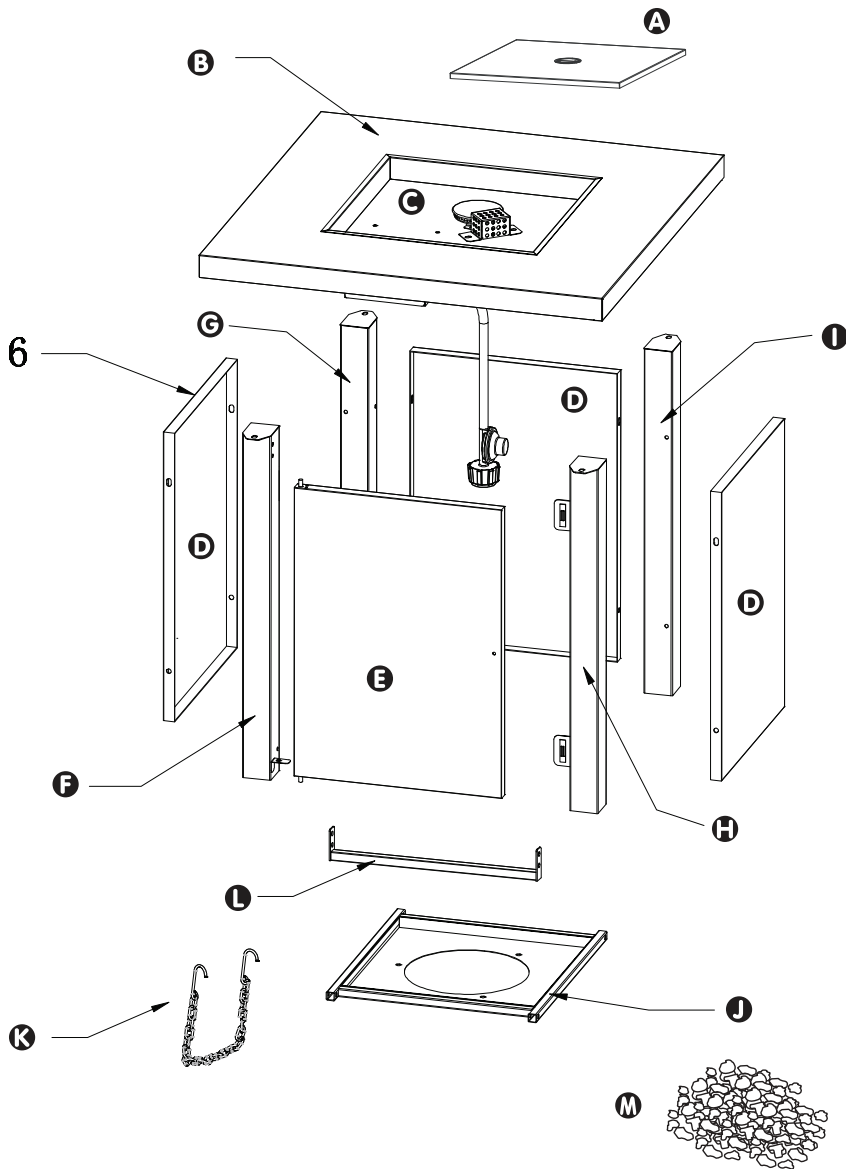
Table de matières / Avant de commencer	Page 2
Contenu du colis et quincaillerie	Page 3
Consignes de sécurité	Page 4
Instructions d'assemblage	Pages 5-10
Directives d'utilisation	Pages 11-12
Entretien	Pages 13
Dépannage	Page 14
Informations sur la garantie	Pages 14-15
Conversion du gaz propane au gaz naturel :	Pages 16-19



### AVANT DE COMMENCER

Prière de lire attentivement la notice en entier avant de monter, d'utiliser ou d'installer l'appareil.

La présente notice comprend des renseignements importants au sujet du montage, du fonctionnement et de l'entretien du foyer d'extérieur. Des consignes de sécurité générales sont présentées dans les premières pages de la notice et plus loin dans le texte. Conservez la notice à titre de référence et pour informer les nouveaux utilisateurs au sujet du fonctionnement de l'appareil. Il faut lire la notice de même que les étiquettes de l'appareil. Il est essentiel de prendre les précautions préconisées lorsque de l'équipement mécanique ou fonctionnant au propane est utilisé. Il est nécessaire de respecter ces mesures de précaution au moment d'utiliser, de ranger ou de réparer l'appareil. L'utilisation de cet appareil avec le soin et les précautions exigés réduira le risque de blessures ou de dommages matériels. Les symboles illustrés ci-dessous sont reproduits abondamment dans la notice. Tenez toujours compte de ces mesures de précaution, car il est essentiel de les observer lorsque de l'équipement mécanique ou fonctionnant au propane est utilisé.

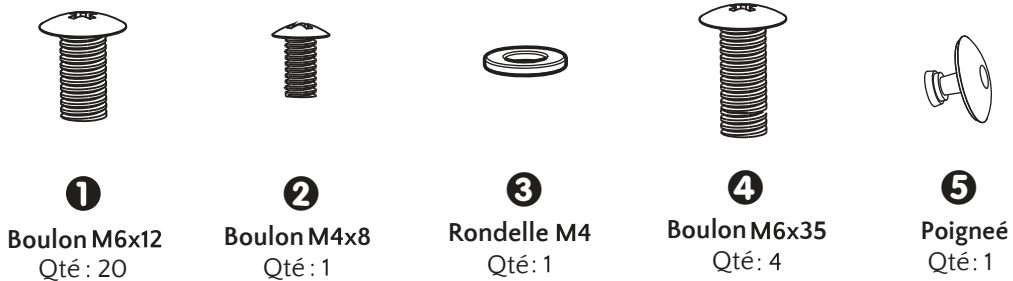


PART	DESCRIPTION	QTY
<b>A</b>	Couvercle de brûleur amovible	1
<b>B</b>	Dessus de table	1
<b>C</b>	Cuvette du brûleur	1
<b>D</b>	Panneaux latéraux	3
<b>E</b>	Panneau de porte	1
<b>F</b>	Patte avant gauche(LF)	1
<b>G</b>	Patte arrière gauche(LF)	1
<b>H</b>	Patte avant droite(RF)	1
<b>I</b>	Patte arrière droite(RF)	1
<b>J</b>	Plateforme de support de réservoir	1
<b>K</b>	Chaîne de réservoir	1
<b>L</b>	Barre de porte	1
<b>M</b>	Roches volcaniques	1

Également requis mais non inclus :  
 Tournevis à tête Philips avec lame moyenne  
 et une batterie AA



QUINCAILLERIE CONTENU



## CONSIGNES DE SÉCURITÉ

Cet appareil a été testé et est conforme aux normes ANS Z 21.97-2010 sur les appareils décoratifs d'extérieur au gaz et aux normes CGA CR 97-003 sur les foyers d'extérieur au gaz. Son installation doit être conforme aux normes locales ou, à défaut de normes locales, au National Fuel Gas Code ANS Z223.1. Ce manuel contient des informations importantes au sujet de l'assemblage, du fonctionnement et de l'entretien de cet appareil. Des informations générales concernant la sécurité sont présentées dans les premières pages ainsi que tout au long de ce manuel. Conservez-le pour référence future et pour informer de nouveaux utilisateurs sur ce produit. Ce manuel devrait être lu en entier conjointement avec les étiquettes apposées sur le produit. Des mesures de sécurité sont nécessaires lors de l'utilisation, de l'entreposage et de l'entretien de l'appareil. L'utilisation de cet équipement avec prudence et en suivant les avertissements réduira les risques de blessures ou de dommages matériels. Les symboles présentés ci-dessous sont utilisés abondamment tout au long de ce manuel. Veuillez toujours tenir compte de ces précautions qui sont essentielles lors de l'utilisation d'équipement mécanique ou de combustion au gaz.

## AVERTISSEMENT

L'inobservation des avertissements et des mises en garde présentés dans la notice accompagnant le foyer d'extérieur risque de provoquer la mort, de graves blessures, d'importants dégâts matériels, des dommages résultant d'un incendie ou d'une explosion, des brûlures ou l'asphyxie. Seules les personnes en mesure de comprendre et de suivre les consignes devraient utiliser ou entretenir le foyer d'extérieur.

## AVERTISSEMENT

Le montage, l'installation, le réglage, la modification, le service ou l'entretien inadéquats de cet appareil peuvent causer des dommages matériels, des blessures, voire la mort. Lire attentivement la notice avant d'installer, d'utiliser ou d'entretenir l'appareil.

## AVERTISSEMENT

### POUR VOTRE SÉCURITÉ

Ne pas entreposer ni utiliser d'essence ou d'autres gaz ou liquides inflammables à proximité de cet appareil ou de tout autre.

## DANGER

### EXPLOSION – RISQUE D'INCENDIE

- Ne conservez pas de combustibles solides tels que des matériaux de construction, du papier ou du carton à proximité du foyer, comme il est recommandé dans les consignes.
- Prévoyez des dégagements suffisants autour des ouvertures d'aération de la chambre de combustion.
- N'utilisez jamais le foyer d'extérieur dans un lieu qui contient ou pourrait contenir des matières combustibles volatiles ou en suspension, des produits comme de l'essence, des solvants, des diluants, des particules de poussière ou des substances chimiques inconnues.
- Le foyer allumé est une source d'inflammation. Conservez la zone entourant le foyer combustibles, d'essence, de solvant pour peinture, de solvant de nettoyage, de produits liquides ou dégageant des gaz inflammables. N'utilisez pas le foyer d'extérieur dans un endroit très poussiéreux. Les dégagements minimaux par rapport aux matières combustibles sont les suivants : au moins 61 cm des côtés et de l'arrière du foyer.
- Ne rangez jamais du propane à proximité d'une source de chaleur élevée, d'une flamme vive, d'une flamme de veilleuse; ne l'exposez pas au soleil, à des sources d'inflammation ou des températures supérieures à 49 °C (120 °F).
- Plus lourd que l'air, le propane en phase gazeuse s'accumule au ras du sol. Si une odeur de gaz est perceptible, quittez les lieux immédiatement.
- N'installez ni ne retirez jamais une bouteille de gaz lorsque le foyer d'extérieur est allumé, à proximité d'une flamme vive, quand la veilleuse est allumée, à côté de toute autre source d'inflammation ou lorsque le foyer est encore chaud au toucher.
- Le foyer devient très chaud une fois allumé et des matières inflammables approchées du brûleur pourraient prendre feu. Éloignez les matières inflammables à au moins 61 cm des côtés et de l'arrière de l'appareil. Ne rangez pas d'essence ou d'autres produits liquides ou dégageant des gaz inflammables à proximité du foyer.
- Rangez la bouteille de propane à l'extérieur dans un endroit bien aéré et hors de portée des enfants. N'entreposez jamais une bouteille de propane dans un endroit fermé (maison, garage, etc.). Si le foyer d'extérieur doit être rangé à l'intérieur, retirez la bouteille de propane et rangez-la à l'extérieur.

## AVERTISSEMENT/DANGER

AVERTISSEMENT/DANGER : Indique une situation extrêmement dangereuse qui, si elle n'est pas évitée, aura pour conséquences des blessures graves, voire la mort.

## DANGER

### POUR VOTRE SÉCURITÉ:

Si vous sentez une odeur de gaz:

1. Fermez l'alimentation en gaz de l'appareil.
2. Éteindre toute flamme vive;
3. Si l'odeur persiste, éloignez-vous de l'appareil et appelez immédiatement votre service d'approvisionnement en gaz ou le service d'incendie.

## AVERTISSEMENT

Nous ne pouvons pas prévoir tous les usages que vous ferez du foyer d'extérieur. Vérifiez auprès du service de prévention des incendies de votre région si vous avez des questions au sujet de l'utilisation du foyer d'extérieur. D'autres normes régissent l'utilisation d'appareils au gaz et de génération de chaleur à des fins particulières. L'administration locale peut vous conseiller à ce sujet. En l'absence de codes en vigueur localement, suivez le « National Fuel Gas Code », ANSI Z223.1. Au Canada, l'installation doit être conforme aux codes en vigueur localement. En l'absence de tels codes, respectez la norme CAN/CGA B149.2 (« Code sur le stockage et la manipulation du propane »).

## AVERTISSEMENT

### UTILISATION À L'EXTÉRIEUR SEULEMENT

### DANGERS RELIÉS AU MONOXYDE DE CARBONE

Cet appareil est un appareil de combustion. Tous les appareils de combustion produisent du monoxyde de carbone (CO) lorsqu'ils fonctionnent. Cet appareil est conçu pour produire d'infimes quantités non dangereuses de CO lorsqu'il est utilisé et entretenu conformément à toutes les instructions et à tous les avertissements. N'obstruez pas la circulation d'air à l'intérieur et à l'extérieur de votre appareil. L'intoxication au monoxyde de carbone (CO) provoque des symptômes qui ressemblent à ceux de la grippe, des yeux larmoyants, des maux de tête, des étourdissements, de la fatigue et possiblement la mort. Vous ne pouvez pas voir ni sentir le monoxyde de carbone. C'est un tueur invisible. En présence de ces symptômes lors de l'utilisation de cet appareil, allez immédiatement au grand air!

- Pour un usage à l'extérieur seulement
- N'utilisez jamais cet appareil à l'intérieur de la maison ou dans un endroit fermé ou non ventilé. Cet appareil consomme de l'air (oxygène). Pour éviter de mettre votre vie en danger, ne l'utilisez pas dans un endroit fermé ou non ventilé.



## PRÉPARATION:

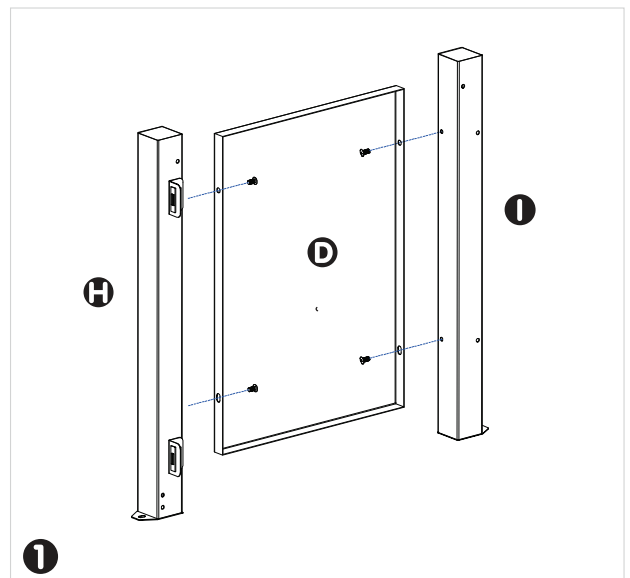
Avant de commencer le montage du produit, vérifiez si vous disposez de toutes les pièces. Comparez les pièces aux listes du contenu de l'emballage et du matériel présentées ci-dessus. Si une pièce manque ou est défectueuse, ne tentez pas de monter l'appareil. Communiquez avec le service à la clientèle pour obtenir des pièces détachées. Contactez-nous par email à [customercare@jrhome.com](mailto:customercare@jrhome.com) ou appelez-nous sans frais à **(800) 561-5550, 7:30 a.m. - 4:00 p.m., HAP, Lundi - Vendredi**

Placez toutes les pièces sur une surface douce et de niveau pour les assembler.

Durée approximative du montage : 30 minutes

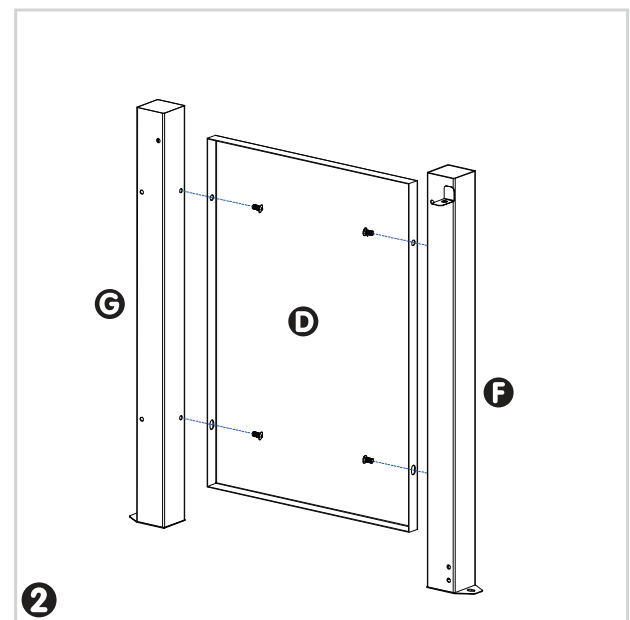
- 1 En travaillant sur l'envers, fixer la **patte avant droite** **H** au **panneau latéral** **D** à l'aide de **2 boulons** **I** insérés au travers des côtés du **panneau latéral** et dans la **patte**. Fixer la **patte arrière droite** sur le côté opposé du **panneau latéral** de la même manière.

Quincaillerie utilisée: **I** Boulon (M6x12) x 4



- 2 Tout en continuant de travailler sur l'envers, fixer la **patte avant gauche** **G** au **panneau latéral** **D** à l'aide de **2 boulons** **G** insérés au travers des côtés du **panneau latéral** et dans la **patte**. Fixer la **patte arrière gauche** **G** sur le côté opposé du **panneau latéral** de la même manière.

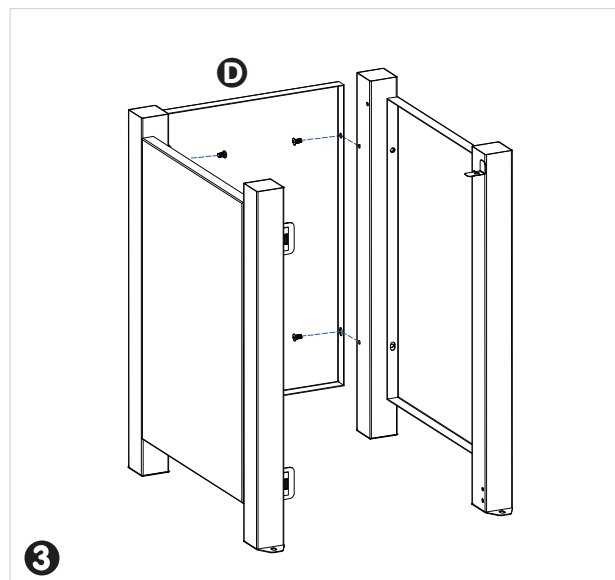
Quincaillerie utilisée: **G** Boulon (M6x12) x 4





**3** Installer le dernier **panneau latéral D** entre les **pattes arrières** à l'aide de 4 **boulons 1**.

Quincaillerie utilisée: **1** Boulon (M6x12) x 4



**4** Placer le support du réservoir **1** et le fixer en insérant **1** **boulon** au travers des trous près de chaque coin du **support** et dans **chaque patte**. Fixer la **barre de la porte L** entre les pattes avant à l'aide de 4 **boulons 4**.

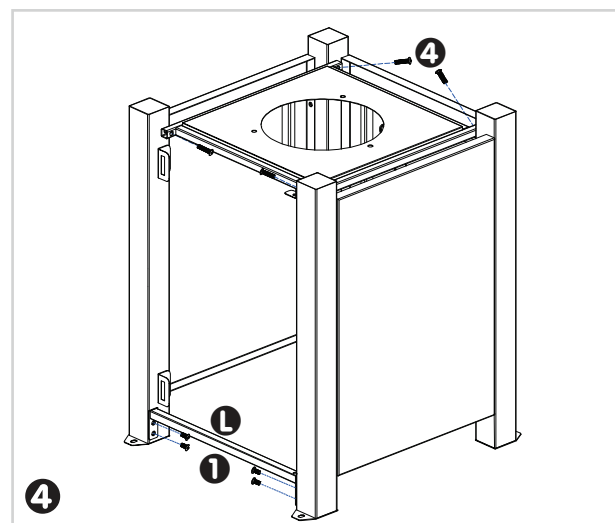
Quincaillerie utilisée: **1** Boulon (M6x12) x 4  
**4** Boulon (M6x35) x 4



**1**



**4**

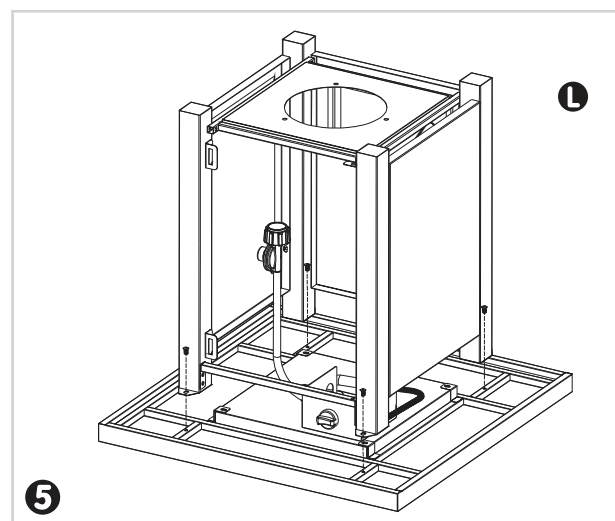


**5** Retourner le **dessus de table B** à l'envers sur une surface non-abrasive. Retirer les 4 **boulons** préinstallés dans le dessous de la table. Placer la base assemblée de la table de sorte que les œillets en haut de chaque patte soient alignés avec les trous des boulons. Installer à nouveau les 4 **boulons**. Remettre soigneusement l'appareil à l'endroit.

Quincaillerie utilisée: **1** Boulon (M6x12) x 4

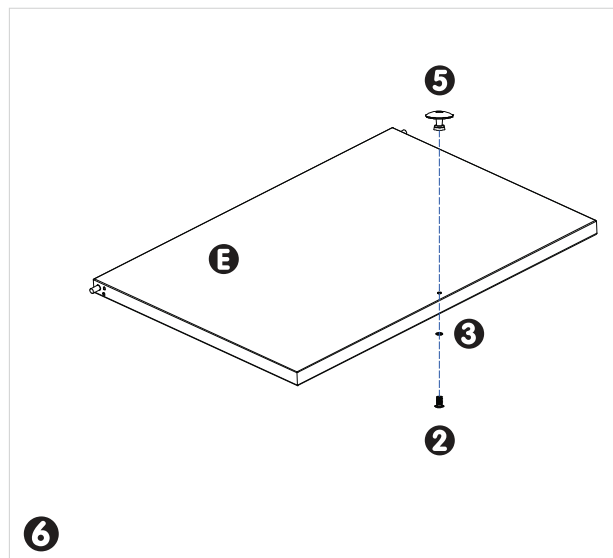
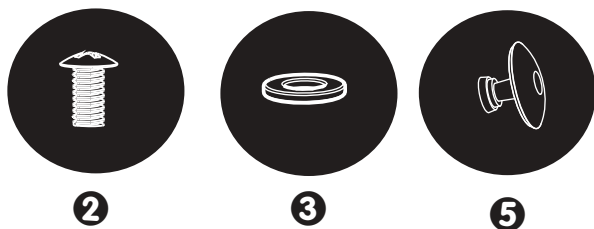


**Avertissement:** ce foyer est fait d'aluminium, un matériau relativement souple et flexible. Ne jamais s'asseoir, grimper ou se pencher lourdement sur le dessus du foyer pour éviter tout gauchissement ou déformation



- 6** Fixer la **poignée** **5** sur la **porte** **E**. Placer la **rondelle** **3** sur le **boulon** **2** et l'insérer par l'intérieur au travers du trou dans la porte. Visser la **poignée** sur les filets du **boulon**.

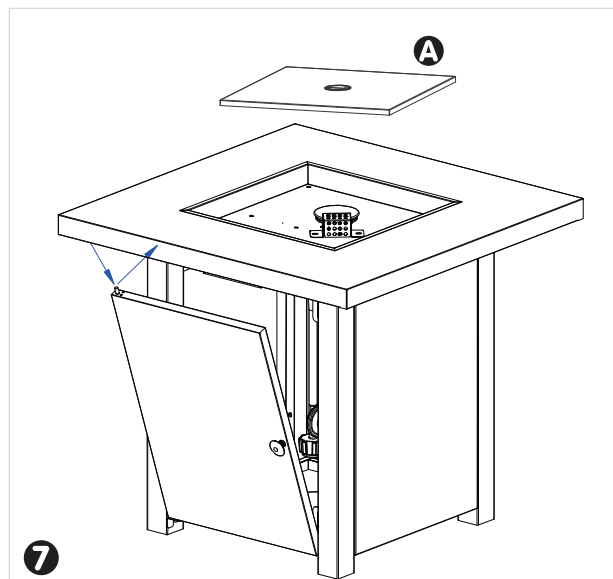
Quincaillerie utilisée: **2** Boulon (M4x8) x 1  
**3** Rondelle (M4) x 1  
**5** Poignée



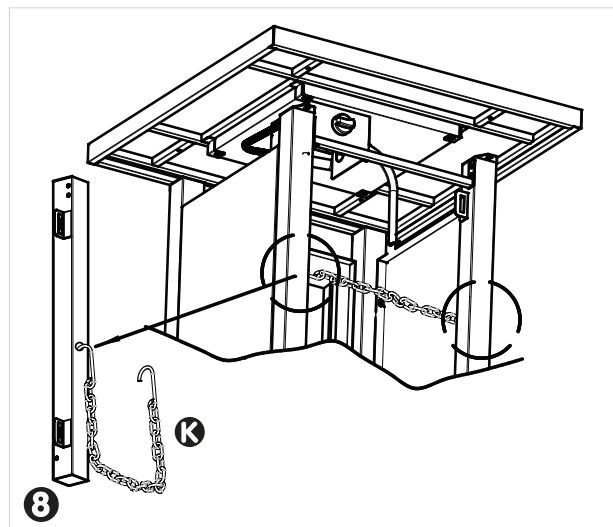
- 7** Insérer la goupille du côté inférieur gauche de la **porte** **E** dans le trou du support de la porte à l'intérieur de la **patte avant gauche**.

Enfoncer la goupille au haut gauche de la **porte** et redresser la porte verticalement en position afin de permettre d'insérer la goupille dans le trou de la barre de la **porte en bas à gauche**.

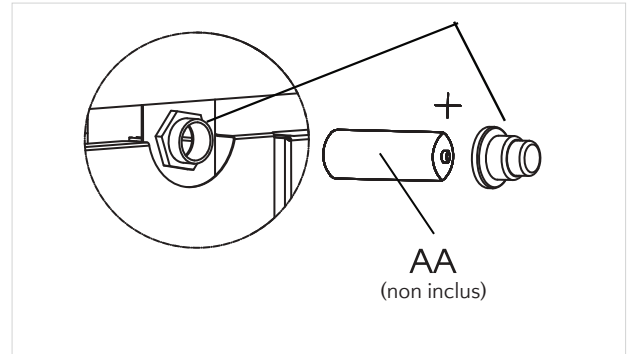
Placer le **couvre-cil amovible du brûleur** **A** sur le foyer.



- 8** Accrocher la **chaîne du réservoir** **K** à travers le côté ouvert du foyer, entre les **pattes avant** en insérant le crochet dans les trous du milieu de l'une ou l'autre des pattes.



- 9** Ouvrir **la porte** pour accéder aux contrôles. Dévisser le capuchon de l'allumeur électronique. Insérer une **pile AA** en plaçant l'extrémité positive vers l'extérieur et replacer le capuchon de caoutchouc



- 10** Branchez le tuyau et le régulateur à la bouteille de gaz. Le gaz propane et la bouteille à gaz sont vendus séparément. N'utilisez qu'une bouteille de propane de 20 lb. N'utilisez ce foyer qu'avec un système de dissipation de la vapeur. Consultez le chapitre 5 pour connaître la norme NSI/NFPA 58 en matière de stockage et de manutention de gaz pétroliers liquéfiés. La bibliothèque ou le service d'incendie de votre localité devrait avoir ce livre.

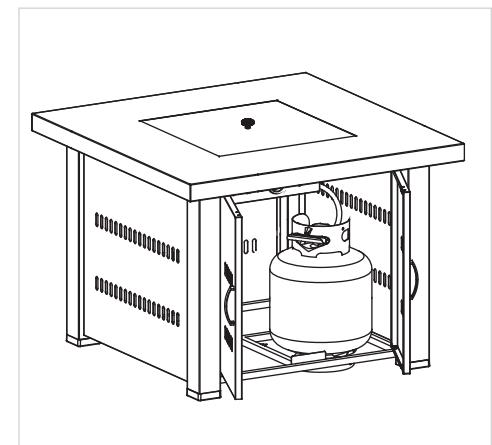
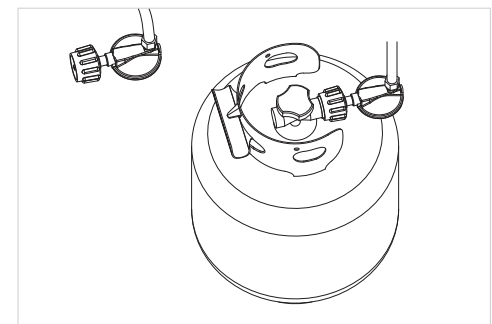
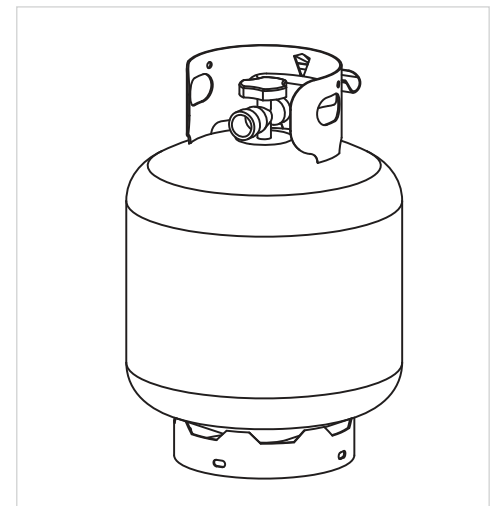
Le rangement d'un appareil à l'intérieur n'est permis que si la bouteille de gaz est débranchée et retirée de l'appareil.

Une bouteille de gaz doit être entreposée à l'extérieur, dans un endroit bien aéré et hors de la portée des enfants. La bouteille de gaz débranchée doit être munie d'un capuchon antipoussière et ne doit pas être entreposée dans un édifice, un garage ou tout autre endroit fermé. La pression maximale d'alimentation en gaz est de 250 lb/po<sup>2</sup>. La pression minimale d'alimentation en gaz est de 5 lb/po<sup>2</sup>.

Le débit horaire minimum de 10 000 BTU est le débit calorifique requis pour un foyer dont le fonctionnement automatique requiert un débit moindre que le débit calorifique maximal.

Vous devez utiliser le régulateur de pression et le tuyau fournis avec l'appareil. L'installation doit être conforme aux codes locaux ou, en l'absence de codes locaux, au National Fuel Gas Code ANSI Z223.1/NFPA54, au code national CSA B 149.1, d'installation du gaz naturel et du gaz propane ou au code B149.2 sur le stockage et la manutention du gaz propane.

Utilisez la toile de protection du réservoir à GPL (gaz propane liquéfié) – S pour recouvrir le réservoir à GPL avant de mettre le réservoir sous le foyer assemblé.



Une bouteille de propane bosselée ou rouillée pose un risque et devrait être vérifiée par le fournisseur de bouteilles de propane. N'utilisez jamais une bouteille dont le raccord de robinet est abîmé.

Les bouteilles de propane utilisées doivent être fabriquées et porter les marquages lisibles, conformément aux exigences du ministère des Transports des États-Unis (DOT) pour les bouteilles de GPL ou à la norme canadienne CAN/CSA B339 relative aux bouteilles, sphères et tuyaux pour le transport des marchandises dangereuses.

La bouteille doit être munie d'un système d'arrêt volumétrique. Le raccord de la bouteille doit être compatible avec le raccord de volumétrie. Le raccord de la bouteille doit être l'appareil.

La bouteille doit être munie d'un collet de protection du robinet.

Ne raccordez jamais une bouteille de propane non homologuée au foyer.

Fixez le détendeur à la bouteille. Terminez le raccordement. Installez la bouteille.

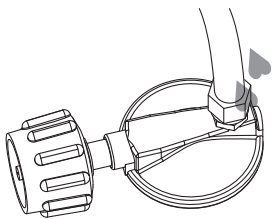
Fixer la bouteille de propane avec la vis de bouteille en serrant la vis jusqu'à ce qu'il vient en contact avec le bouteille.

- Ne rangez pas une bouteille de GPL de rechange sous l'appareil ou à proximité de celui-ci.
- Ne remplissez jamais une bouteille à plus de 80 % de son volume.
- Vissez le capuchon à la sortie du robinet de la bouteille lorsque celle-ci n'est pas utilisée. N'utilisez que le capuchon accompagnant le robinet de la bouteille.
- L'utilisation d'un autre type de capuchons pourrait provoquer une fuite de propane.

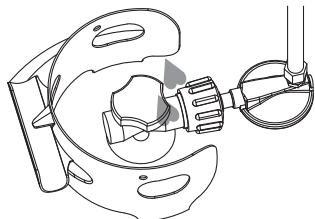
## Essai d'étanchéité

**⚠ AVERTISSEMENT !**

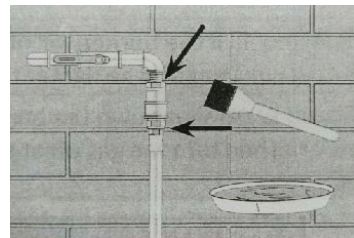
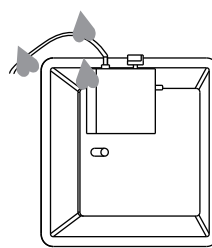
- Exécutez tous les essais d'étanchéité à l'extérieur.
- Éteignez les flammes vives.
- N'effectuez jamais un essai d'étanchéité en fumant.
- N'utilisez jamais le foyer d'extérieur avant d'avoir vérifié l'étanchéité de tous les raccords.



Raccord entre le tuyau et le détendeur



Raccord entre le détendeur et la bouteille



1. Préparez de 65 à 95 ml de solution pour l'essai d'étanchéité (une part de liquide à vaisselle pour trois parts d'eau).
2. Déposez plusieurs gouttes de la solution sur le raccord entre le flexible et le détendeur.
3. Déposez plusieurs gouttes de la solution sur le raccord entre le détendeur et la bouteille.
4. Vérifiez si la vanne de commande du foyer et du brûleur est fermée.
5. Ouvrez le robinet de la bouteille de gaz (ON).

**Si des bulles se forment à un raccord, il y a alors une fuite.**

1. Fermez le robinet de la bouteille.
2. Si la fuite se produit au raccord entre le flexible et le détendeur : serrez le raccord et refaites un essai d'étanchéité. Si des bulles se forment encore, retournez le flexible là où il a été acheté.
3. Si la fuite se produit au raccord entre le détendeur et le robinet de la bouteille : dévissez le raccord, revissez-le et effectuez un autre essai d'étanchéité. Si des bulles se forment toujours après plusieurs tentatives, cela signifie que le robinet de la bouteille est défectueux et qu'il faut retourner la bouteille là où elle a été achetée.

Si aucune bulle ne se forme sur le raccord, alors celui-ci est sécuritaire.

**REMARQUE :** Lorsque des raccords de gaz sont desserrés ou retirés, il faut refaire un essai d'étanchéité complet. Terminez l'installation.

### Liste de vérification

Pour que l'expérience demeure sécuritaire et agréable, effectuez cette vérification avant chaque utilisation.

#### Avant l'utilisation :

1. Je comprends la notice d'emploi ainsi que toutes les consignes de sécurité qu'elle contient.
2. Les composants sont assemblés correctement, intacts et en bon état.
3. L'appareil n'a subi aucune altération.
4. Tous les raccords de gaz sont sécuritaires et ne fuient pas.
5. La vitesse du vent est inférieure à 16 km/h.
6. L'appareil subira une baisse d'efficacité à 4 °C (40 °F).
7. Le foyer est installé à l'extérieur (hors de tout endroit clos).
8. L'apport d'air de ventilation est adéquat.
9. Le foyer est éloigné de tout contenant d'essence ainsi que de produits liquides ou dégagant des gaz inflammables.
10. Le foyer d'extérieur est installé à distance des fenêtres, de prises d'air, de gicleurs et d'autres sources d'eau.
11. L'arrière et les côtés du foyer d'extérieur se trouvent à au moins 61 cm de matériaux combustibles.
12. Le foyer d'extérieur a été installé sur une surface solide et plane.
13. On ne note aucune trace d'un nid d'araignée ou d'insecte.
14. Tous les orifices du brûleur sont dégagés.
15. Toutes les voies de circulation d'air sont dégagées.
16. Les enfants et les adultes doivent être au courant des risques posés par la température élevée des surfaces de foyer et devraient s'en tenir éloignés pour éviter les brûlures ou que leurs vêtements prennent feu.
17. Il est nécessaire de surveiller étroitement les jeunes enfants qui se trouvent à proximité du foyer d'extérieur.
18. Il ne faut pas suspendre de vêtements ou de bâches au foyer d'extérieur ou les ranger sur le foyer d'extérieur ou à proximité de celui-ci.
19. Toute grille protectrice et tout élément protecteur qui auront été retirés avant de réparer le foyer d'extérieur devront être remis en place avant de rallumer le foyer.
20. Demandez à un technicien certifié d'effectuer l'installation et les réparations. Le foyer d'extérieur doit être inspecté avant utilisation et au moins une fois par année par un technicien certifié.
21. Des nettoyages plus fréquents pourraient se révéler nécessaires. Il est impératif que le boîtier de commande, le brûleur et les voies de circulation d'air du foyer d'extérieur soient propres.
22. Les jeunes enfants devraient être sous la supervision des adultes lorsqu'ils sont près de l'appareil.
23. Je comprends que les enfants et les adultes doivent être informés des dangers que présentent les surfaces à température élevée et qu'ils doivent se tenir à l'écart pour éviter tout risque de brûlure ou d'inflammation des vêtements.
24. Ce foyer est fait d'aluminium, un matériau relativement souple et flexible et on ne devrait jamais permettre à quiconque de s'asseoir ou de se pencher lourdement sur le dessus du foyer pour éviter tout gauchissement ou déformation.



#### ARRÊT:

1. Pour éteindre le brûleur, enfoncez le bouton de contrôle et tournez-le dans le sens des aiguilles d'une montre jusqu'à la position « OFF ».
2. Tournez la valve du réservoir de gaz à OFF et débranchez le régulateur lorsqu'il n'est pas utilisé pendant une longue période.



#### APRÈS L'UTILISATION:

1. Le bouton de contrôle est en position "OFF"
2. La valve du réservoir de gaz est en position "OFF".
3. Le tuyau d'alimentation en gaz est débranché.

## ⚠ DANGER

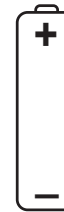
• RISQUE D'INTOXICATION PAR LE MONOXYDE DE CARBONE  
Pour un usage à l'extérieur exclusivement. N'utilisez jamais le foyer à l'intérieur de la maison ou dans lieu sans ventilation ou clos. Le foyer d'extérieur consomme de l'air (oxygène). Pour éviter de mettre votre vie en danger, ne l'utilisez jamais dans un endroit sans ventilation ou fermé.

## ⚠ AVERTISSEMENT

### Très chaud lorsqu'il est en fonctionnement!

Ne vous penchez jamais sur la fosse de feu en cours d'utilisation. Ne pas toucher les surfaces tandis que le foyer est en marche, attendez que le foyer a refroidi après utilisation.

**Le non respect de ces instructions peut entraîner des blessures graves.**



\*Allumeur électronique! \*  
Nécessite une batterie AA (non inclus)  
Voir L'ÉTAPE 9 pour l'installation.

### LORSQUE LE BRÛLEUR FONCTIONNE :

Le brûleur produira des langues de flammes bleues et jaunes. Ces flammes ne devraient pas être uniquement jaune ou produire une épaisse fumée noire, signe d'une obstruction de la circulation d'air au travers du brûleur. Les flammes devraient être droites, bleues et jaunes à leur extrémité. Si les flammes sont excessivement jaunes, fermez l'appareil et consultez le guide de dépannage à la fin de ce manuel.

**MISE EN GARDE :** Ne tentez pas de faire fonctionner le foyer d'extérieur avant d'avoir lu et compris toutes les consignes de sécurité contenues dans la notice et que le montage soit complet et que des essais d'étanchéité aient été exécutés.

### AVANT D'OUVRIER L'ALIMENTATION EN GAZ :

1. Le foyer d'extérieur a été conçu et homologué pour un usage à l'extérieur exclusivement. N'utilisez pas cet appareil à l'intérieur d'un édifice, d'un garage ou dans tout endroit clos.
2. Vérifiez si les lieux sont exempts de matières combustibles, d'essence, de produits liquides ou dégagent des gaz inflammables.
3. Vérifiez si rien ne vient entraver le flux d'air de ventilation. Vérifiez si tous les raccords de gaz sont bien serrés et s'ils ne fuient pas.
4. Vérifiez si le collet de la bouteille est propre. Veillez à ce que toute pièce retirée au moment du montage ou de l'entretien soit remise en place et bien fixée avant d'allumer le foyer.

### AVANT L'ALLUMAGE :

1. L'appareil devrait être examiné avant chaque utilisation et vérifié par un technicien qualifié au moins une fois par année. Avant de rallumer l'appareil lorsqu'il est chaud, fermez la valve du réservoir de gaz et attendez 5 minutes.
2. Vérifiez l'assemblage des tuyaux afin de détecter tout signe d'abrasion, de bris ou d'usure. Toutes les zones suspectes devraient être soumises à un test d'étanchéité. S'il y a une fuite dans le tuyau, celui-ci devra être remplacé avant d'allumer le brûleur. N'utilisez que les assemblages de tuyaux de remplacement recommandés par le fabricant.

### ALLUMER:

1. Tournez le bouton de contrôle jusqu'à la position "OFF". (Figure A)
2. (Avec un brûleur au gaz naturel, passez à l'étape 3). Ouvrez complètement la valve d'alimentation du réservoir de gaz propane.  
Note: Lors d'un premier allumage ou après un changement du réservoir de gaz, maintenez enfoncé le bouton de contrôle pendant 2 minutes afin de purger l'air des conduites de gaz avant d'allumer l'appareil.
3. Enfoncer et tourner le bouton de contrôle dans le sens antihoraire jusqu'à HIGH - 90° dans le sens antihoraire (Fig. B). Maintenir le bouton enfoncé pendant 3 à 5 secondes.
4. Tout en tenant le bouton enfoncé, presser le bouton d'allumage électronique pour allumer le brûleur principal. (L'allumage produira un léger bruit de craquement. Si le foyer ne s'allume pas et qu'il n'y a pas de bruit de craquement, remplacer la pile.)
5. Attendre 10 secondes après l'allumage du foyer puis relâcher le bouton de contrôle.
6. Observer la hauteur de la flamme. La flamme devrait mesurer entre 3 et 13 po de hauteur. Une flamme trop courte ou trop haute peut indiquer un problème
7. Pour diminuer l'intensité de la flamme, tourner le bouton de contrôle dans le sens horaire jusqu'à LOW (Fig. C). Pour augmenter l'intensité de la flamme, tourner le bouton de contrôle dans le sens antihoraire jusqu'à HIGH (Fig. B).

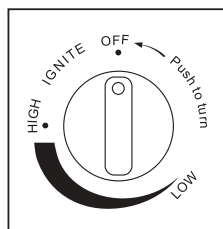
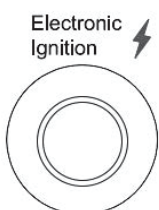


Figure A

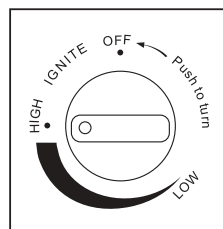


Figure B

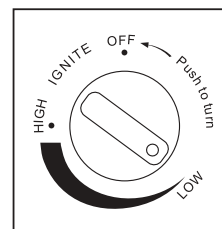
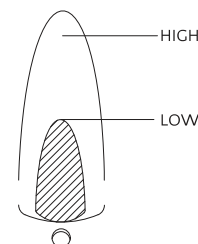


Figure C



**Remarque :** Si le brûleur ne demeure pas allumé, il faut fermer tous les robinets et attendre au moins 5 minutes avant de retenter l'allumage.

Contactez-nous pour assistance: [customercare@jrhome.com](mailto:customercare@jrhome.com) | (800) 561-5550

Afin que votre foyer d'extérieur fonctionne de façon exceptionnelle pendant de nombreuses années, effectuez périodiquement les tâches d'entretien décrites ci-dessous.

1. Nettoyez le foyer à l'eau tiède savonneuse. N'utilisez jamais de produits nettoyants inflammables ou corrosifs.
2. Pendant que vous nettoyez l'appareil, veillez à conserver au sec l'espace entourant le brûleur, et ce, en tout temps. N'immergez pas la vanne de régulation du gaz. Si la vanne de régulation du gaz est immergée dans l'eau, ne l'utilisez plus. Il faut la remplacer.

A. Gardez l'appareil dégagé et ne rangez pas de matières combustibles, d'essence ou d'autres produits liquides ou dégagant des gaz inflammables à proximité du foyer.

B. N'entravez pas le flux d'air comburant et de ventilation.

C. Gardez les orifices de ventilation de l'espace de rangement de la bouteille dégagés et exempts de saleté.

3. L'air doit pouvoir s'écouler librement. Gardez les boutons de commande, le brûleur et les voies de circulation d'air propres.

Les signes d'obstruction comprennent, entre autres:

- Une odeur de gaz perceptible et des flammes aux pointes très jaunes.
- Le foyer d'extérieur n'atteint pas la température désirée.
- La lueur produite par le foyer d'extérieur est inégale.
- Le foyer d'extérieur produit des crépitements.
- Des araignées et des insectes peuvent établir leur nid dans les brûleurs ou les orifices, ce qui pourrait endommager et le rendre dangereux à utiliser. Nettoyez les orifices du brûleur à l'aide d'un cure-pipe à usage industriel. De l'air comprimé peut éliminer les plus petites particules.
- La calamine pose un risque d'incendie. Nettoyez le déflecteur et l'écran du brûleur à l'eau tiède savonneuse si de la calamine s'y forme (dépôt)



*Remarque : Dans une atmosphère saline, comme à proximité d'un océan, la corrosion se produit plus rapidement qu'à la normale. Vérifiez fréquemment la présence de traces de rouille et effectuez rapidement les réparations nécessaires.*

### La Service

La réparation des passages de gaz devraient être effectuées par une personne qualifiée.

Remarque: Laisser le temps au brûleur de refroidir avant l'entretien.

### Entreposage

#### Entre les utilisations :

- Tournez le bouton de commande vers la position d'arrêt (OFF).
- Défaites le raccord avec la bouteille de GPL.
- Rangez foyer d'extérieur à la verticale dans un endroit à l'abri des intempéries (pluie, giboulée, grêle, neige, poussière, saleté).
- Si vous le désirez, couvrez le brûleur pour en protéger les surfaces extérieures et empêcher l'accumulation de saleté dans les voies de circulation d'air.

Remarque : Laissez le temps au brûleur de refroidir avant de le recouvrir.

#### Pour les périodes d'inutilisation prolongées ou le transport :

- Tournez le bouton de commande vers la position d'arrêt (OFF).
- Défaites le raccord avec la bouteille de GPL et rangez-la à l'extérieur dans un endroit bien ventilé et sécuritaire.
- Rangez le foyer d'extérieur à la verticale dans un endroit à l'abri des intempéries (pluie, giboulée, grêle, neige, poussière, saleté).
- Si vous le souhaitez, recouvrez foyer d'extérieur pour en protéger la surface et empêcher l'accumulation de saleté dans les voies de circulation d'air.

**Remarque : Attendez que le brûleur ait refroidi avant de le recouvrir.**



### AVERTISSEMENT POUR VOTRE PROTECTION

- Attendez au moins 45 minutes après avoir éteint du foyer avant d'y toucher ou de transporter.
- Le brûleur est chaud au toucher
- Laissez le brûleur refroidir avant de le toucher.



PROBLÈME	CAUSE POSSIBLE	SOLUTION
Le brûleur ne s'allume pas.	La bouteille de propane est gelée	Attendez que la bouteille de propane se réchauffe et dégèle.
	Les orifices sont obstrués	Dégagez les obstructions.
	Le bouton de commande n'est pas à la position de mise en marche (ON).	Tournez le bouton de commande vers la position d'ouverture (ON).
La flamme du brûleur est basse.	La pression du gaz est basse	Tournez le robinet de la bouteille à la position de fermeture et changez de bouteille.
	La température ambiante est inférieure à 4 °C (40 °F) et la bouteille est remplie à moins du quart.	Utilisez une bouteille pleine
	Le bouton de commande est à la position de mise en marche (ON).	Vérifiez si le brûleur et les orifices sont obstrués.
Calamine	De la saleté ou un film recouvre le déflecteur ou l'écran du brûleur.	Nettoyez le déflecteur et l'écran du brûleur.
Production d'une fumée épaisse et noire	Le brûleur est obstrué.	Éliminez la saleté et nettoyez le brûleur à l'intérieur et à l'extérieur.

## INFORMATIONS SUR LA GARANTIE








### Faites Part de Votre Évaluation et Prolongez Votre Garantie

Nous désirons connaître votre opinion sur nos produits ... et nous vous invitons à la partager! Laissez simplement votre opinion concernant le produit sur le site internet du détaillant où vous avez fait votre achat ou au [www.jrhome.com](http://www.jrhome.com) et remplissez la fiche de garantie en ligne au <https://www.jrhome.com/warranty-registration> afin de recevoir gratuitement une prolongation d'un an de la garantie de protection.

Follow us on/ Suivez-nous sur:



[www.jrhome.com](http://www.jrhome.com) #jrhome #paramount

# IMPORTANT

For questions, concerns or problems with our product please email our customer service department:

**customercare@jrhome.com**

DATED PROOF OF PURCHASE REQUIRED FOR WARRANTY SERVICE

Si vous éprouvez des difficultés ou si vous avez des questions ou des préoccupations, prière de faire parvenir un courriel à notre service à la clientèle

**customercare@jrhome.com**

UNE PREUVE D'ACHAT DATÉE EST REQUISE POUR SE PRÉVALOIR DE LA GARANTIE.

## WARRANTY

This product is inspected, tested and carefully packaged to minimize the chance of damage during shipment. If a part (excluding light bulbs, glass and fuses\*) within one year from the date of purchase proves to be defective in material or fabrication under normal use, the part will be repaired or replaced. The Company's obligation under the warranty is to replace or repair defective parts at our discretion. Any expenses or damage resulting from the installation, removal or transportation of the product will be the responsibility of the owner and are not covered by this warranty. The owner assumes all other risks arising from the use or misuse of the product. The warranty will be void if the product damage or failure is deemed by the Company to be caused by accident, alteration, misuse, abuse, incorrect installation or removal, or connection to an incorrect power source by the owner. The Company neither assumes, nor authorizes any person or entity to assume for it any obligation or liability associated with its products. Light bulbs and fuses are not covered under this warranty. If you have any questions regarding the warranty or service, please contact us at **customercare@jrhome.com**.

Customer Service :

JR Home Products

Unit 306 - 19100 Airport Way, Pitt Meadows, BC V3Y 0E2

Toll Free : 1-800-561-5550

E-mail : **customercare@jrhome.com**

## AVERTISSEMENT

Ce produit a été soigneusement inspecté, testé et emballé afin de minimiser les risques de dommages durant le transport. Si l'une des pièces (à l'exception des verres, des ampoules électriques et des fusibles\*) s'avère défectueuse au niveau de sa fabrication ou de ses matériaux dans l'année qui suit la date de l'achat suite à une utilisation normale, la pièce sera réparée ou remplacée. La compagnie est tenue de réparer ou remplacer les pièces défectueuses à sa discrétion, en vertu de la garantie. Tous frais ou dommage résultant de l'installation, du démantèlement ou du transport du produit demeurent la responsabilité du client et n'est pas couvert par cette garantie. Le client assume tout autre risque résultant de l'utilisation correcte ou fautive du produit. La garantie devient nulle si la compagnie détermine que le dommage ou le mauvais fonctionnement est causé par un accident, une modification, une mauvaise utilisation, un abus, une mauvaise installation ou un mauvais démantèlement ou un branchement à une source électrique inadéquate de la part du client. La compagnie n'est pas responsable et n'autorise quiconque, personne ou entité légale, à accepter de responsabilité ou obligation en son nom, en rapport avec ses produits. \* Les ampoules électriques et les fusibles ne sont pas couverts par cette garantie. Pour toute question au sujet de la garantie ou du service, contacter le service à la clientèle à : **customercare@jrhome.com**.

Service à la clientèle:

JR Home Products

Unit 306 - 19100 Airport Way, Pitt Meadows BC V3Y 0E2 Numéro

sans frais: 1-800-561-5550

Courriel: **customercare@jrhome.com**

**You MUST register your product within 30 days of purchase to receive warranty service.**

**Registration can be completed online at [www.jrhome.com](http://www.jrhome.com) or by mailing this form.**

**Vous DEVEZ enregistrer votre produit dans les 30 jours suivant l'achat pour bénéficier du service de garantie.**

**L'enregistrement sera complet une fois que vous aurez posté ce formulaire ou que vous serez inscrit en ligne.**

## Warranty Registration Information Form / Formulaire d'enregistrement de la garantie

Name / Nom : \_\_\_\_\_

Street / Adresse : \_\_\_\_\_

City / Ville : \_\_\_\_\_

Province / Province : \_\_\_\_\_

Postal Code / Code postal : \_\_\_\_\_

Daytime Phone # / No téléphone jour : \_\_\_\_\_

Evening Phone # / No téléphone soir : \_\_\_\_\_

E-Mail Address / Courriel : \_\_\_\_\_

Product/Produit : \_\_\_\_\_

Place of Purchase / Lieu de l'achat : \_\_\_\_\_

Date of Purchase / Date de l'achat : \_\_\_\_\_

Model # / No de modèle : \_\_\_\_\_

Serial # / Numéro de série : \_\_\_\_\_

You MUST register your product to receive warranty service.

For warranty service, contact J&R Home Products at the address, phone numbers listed below within 30 days of purchase. Be sure to have your sales receipt and original date of purchase. All warranty service will be coordinated by J&R Home Products service center.

Vous DEVEZ enregistrer votre produit pour vous prévaloir de la garantie.

Afin de faire valoir la garantie, communiquez avec J&R Home Products à l'adresse et aux numéros indiqués ci-dessous dans les 30 jours suivant la date d'achat. Ayez en main votre reçu et la date d'achat. Toutes les demandes liées aux garanties seront traitées par le centre de service de J&R Home Products.

**⚠️ AVERTISSEMENT:**

ASSUREZ-VOUS QUE LES BOUTONS DE CONTRÔLE ET LA VALVE DE LA BOUTEILLE DE PROPANE SONT EN POSITION « OFF » AVANT DE PROCÉDER À LA CONVERSION.

Ce foyer est un appareil portatif conçu pour être utilisé avec du gaz propane liquide alimenté par une bouteille de propane amovible. (La bouteille de propane et son utilisation sont décrites plus loin dans ce manuel). Si une connexion au gaz naturel est disponible, l'utilisateur peut souhaiter passer du système d'alimentation au propane à un système d'alimentation permanent au gaz naturel.

Ce foyer est un appareil certifié pour une utilisation avec le gaz propane (propane liquide) ou le gaz naturel et vendu avec les pièces nécessaires à sa conversion au gaz naturel. Il peut fonctionner avec un tuyau et un régulateur pour gaz naturel (vendu séparément). Les valves de conversion permettent l'utilisation du gaz naturel sans qu'il soit nécessaire de remplacer les brûleurs ou tout le système de valve.

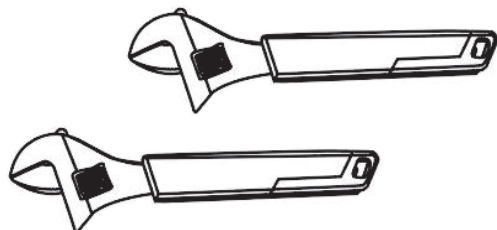
Le processus de conversion est relativement simple et peut être fait par tout propriétaire habile de ses mains. Cependant, nous vous suggérons de confier le travail à un technicien qualifié. Votre garantie peut être annulée si la conversion n'est pas correctement complétée. Veuillez conserver le manuel et les pièces fournies avec cet appareil afin de permettre au technicien d'effectuer la conversion.

Tableau des orifices

Les différentes valves de brûleur de ce barbecue ont différents indices BTU. Les trous des raccords ont des ouvertures de différentes dimensions afin de permettre la circulation de la quantité appropriée de gaz. Veuillez consulter le tableau ci-dessous afin de déterminer les différentes dimensions d'ouverture qui conviennent aux différentes valves de l'appareil.

Propane (pression d'admission 10")		Gaz naturel (pression d'admission 4")	
Dimension de l'ouverture	Taux d'écoulement [BTU/h]	Dimension de l'ouverture	Taux d'écoulement [BTU/h]
2.3mm	55000	3.78mm	55000

Outil nécessaire à l'installation du tuyau et du régulateur de gaz naturel



Clé à molette (2)

**⚠️ AVERTISSEMENT:**

Assurez-vous que toutes les parties de l'appareil sont complètement refroidies et que le système d'alimentation en gaz est fermé et débranché avant de procéder à la conversion.

## CONVERSION DU GAZ PROPANE AU GAZ NATUREL :

*Paramount*

**⚠ AVERTISSEMENT:** La conversion doit être faite uniquement lorsque l'appareil est éteint afin d'éviter tout risque de brûlure. Assurez-vous que le brûleur est fermé. Fermez également le système d'alimentation en gaz et débranchez l'appareil avant de commencer la conversion.

**⚠** Cette conversion doit être faite par un ajusteur d'appareil à gaz qualifié et tous les raccords doivent être soumis à un test d'étanchéité avant leur utilisation.

Votre brûleur peut facilement être converti au gaz naturel en suivant ces étapes:

1. Débranchez le tuyau flexible du brûleur à l'aide de la clé à molette.

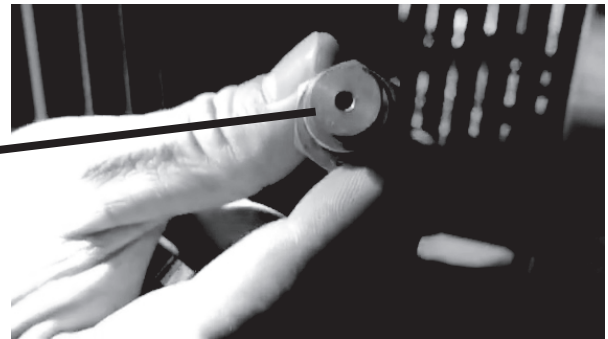


tuyau flexible

2. Retirez l'embout connecteur à l'aide de la clé.



connecteur d'embout



3. Installez l'obturateur d'air pour gaz naturel fourni dans le sac des pièces.



Obturateur d'air GN

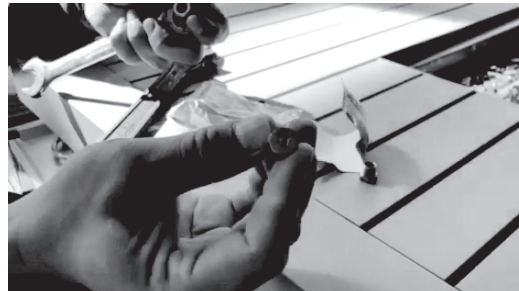


# CONVERSION DU GAZ PROPANE AU GAZ NATUREL :

# Paramount

4. Séparez les deux parties de l'embout connecteur à l'aide de 2 clés à molette.

embout connecteur



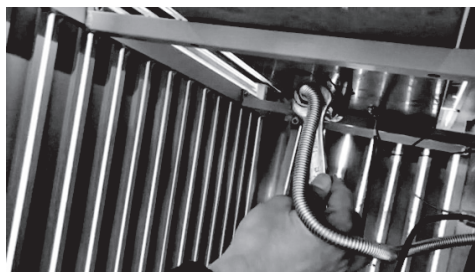
5. Remplacez l'embout pour propane par l'embout pour gaz naturel et resserrez avec les clés.

embout pour gaz naturel



6. Insérez l'embout connecteur dans l'obturateur d'air. Rattachez le tuyau flexible. Serrez à l'aide de la clé à molette.

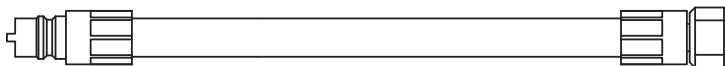
Embout connecteur dans l'obturateur d'air.



7. Branchez le tuyau de gaz naturel au distributeur à l'aide de la clé à molette. Branchez et vissez le connecteur à la valve du système de distribution de gaz naturel.



adaptateur de gaz naturel Quick Connect  
(non inclus)



tuyau de gaz naturel (GN) Quick Connect  
(non inclus)

PART# NL-NGHOSE  
[www.paramountathome.com](http://www.paramountathome.com)

8. Remplacez le brûleur dans l'enceinte. Connectez le tuyau GN à l'adaptateur Quick Connect.
9. Remplissez l'étiquette de conversion fournie et appliquez-la à l'intérieur de la porte du panneau de commande.

**Un test d'étanchéité doit être fait en suivant les instructions inscrites dans le manuel.**

## Connexion au gaz naturel

L'appareil d'utilisation au gaz est conçu pour fonctionner à une pression d'entrée de 7" WC. Son branchement est sous la responsabilité de l'installateur. Branchez la soupape d'admission à un tuyau rigide, un tuyau de cuivre ou un raccord métallique flexible conforme à la norme Z21.4/CSA 6.10. Si vous utilisez un tuyau à gaz flexible (non inclus), branchez le bout évasé du tuyau au raccord, à l'extrémité de la soupape d'admission. Serrez à l'aide de deux clés. (N'utilisez pas de scellant pour filetage ni de pâte à joint). Soumettez tous les joints à un test de détection de fuites avant d'utiliser l'appareil. Les tuyaux et les soupapes en amont du dispositif de débranchement rapide ne sont pas fournis. Le tuyau d'alimentation en gaz doit être de taille adéquate pour fournir la quantité de BTU/h spécifiée sur la plaque d'homologation, selon la longueur du tuyau. Le dispositif de débranchement rapide ne doit pas être installé vers le haut et une soupape d'arrêt manuel facilement accessible doit être installée en amont du dispositif de débranchement rapide, aussi près que possible de ce dernier.

**Purgez la ligne d'alimentation en gaz afin de permettre à l'air emprisonné de s'échapper.**



### **Avertissement!**

L'installation doit être faite par un ajusteur d'appareil à gaz qualifié et tous les raccords doivent être soumis à un test d'étanchéité avant leur utilisation.

Assurez-vous que tous les raccords de tuyaux sont serrés à l'aide de deux clés. N'utilisez pas de ruban de téflon ou de pâte à joint sur les raccords.

Assurez-vous que le tuyau n'est pas en contact avec une surface chaude qui pourrait le faire fondre et causer ainsi des fuites et des risques d'incendie.

Placez le tuyau à l'écart des voies de passage afin d'éviter que les gens ne trébuchent ou dans des endroits où il pourrait être endommagé accidentellement.

Effectuez des tests de détection de fuite sur tous les raccords à l'aide d'une solution d'eau savonneuse, tel qu'expliqué dans le manuel d'instruction.