

KA1US25B

25 Inch Undermount Single Bowl Stainless Steel Kitchen Sink

Kräus[®]

SPECIFICATION SHEET

Sink Dimensions

Overall Dimensions: 24 3/4" x 18 7/8"

Bowl Dimensions: 23" x 17 1/8"

Bowl Depth: 9"

Features

- 16 Gauge Stainless Steel Construction
- Type 18/10 Antibacterial Antibacterial Properties
 - 99.9% reduction of bacteria
 - Escherichia coli
 - Staphylococcus
- Single Bowl Undermount Sink
- Required Minimum Cabinet Size: 27" Left to Right, 24" Front to Back
- Rear Center-Set Drain
- 3 1/2" Drain Opening
- NoiseDefend Undercoating and Sound Dampening Pads

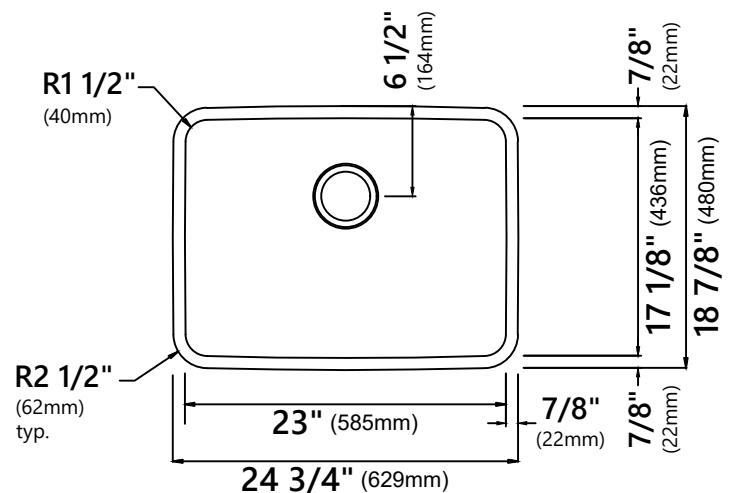
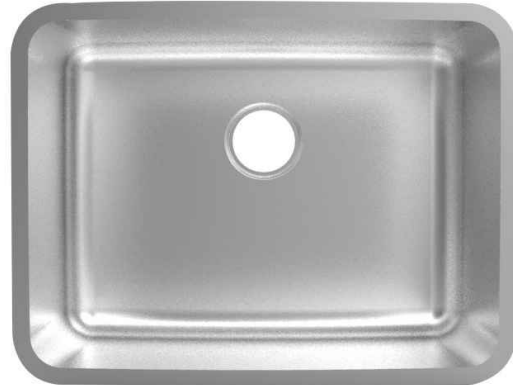
Accessories Included

- Strainer ST-4
- Bottom Grid BG2317
- Cut-Out Template
- Mounting Hardware

CODES/STANDARDS:

Product Certification

cUPC (ASME A112.19.3/CSA B45.4), MASS



Warranty

Kraus Limited Lifetime Warranty

see website for details www.kraususa.com

Kraus USA Customer Service

1.800.775.0703 | customerservice@kraususa.com

REV. July 9, 2020