



Plastic Flip·n·Store Table Assembly Instructions

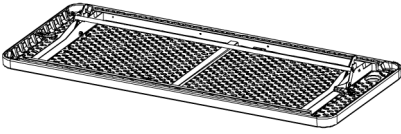
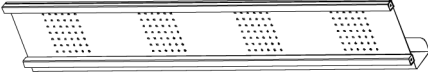
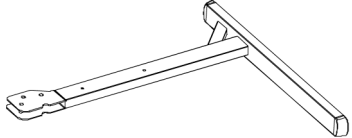
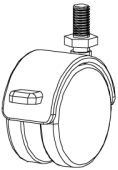
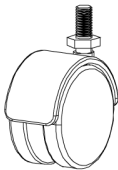


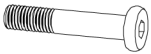
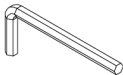
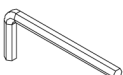
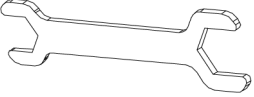


Model BPFT-2460

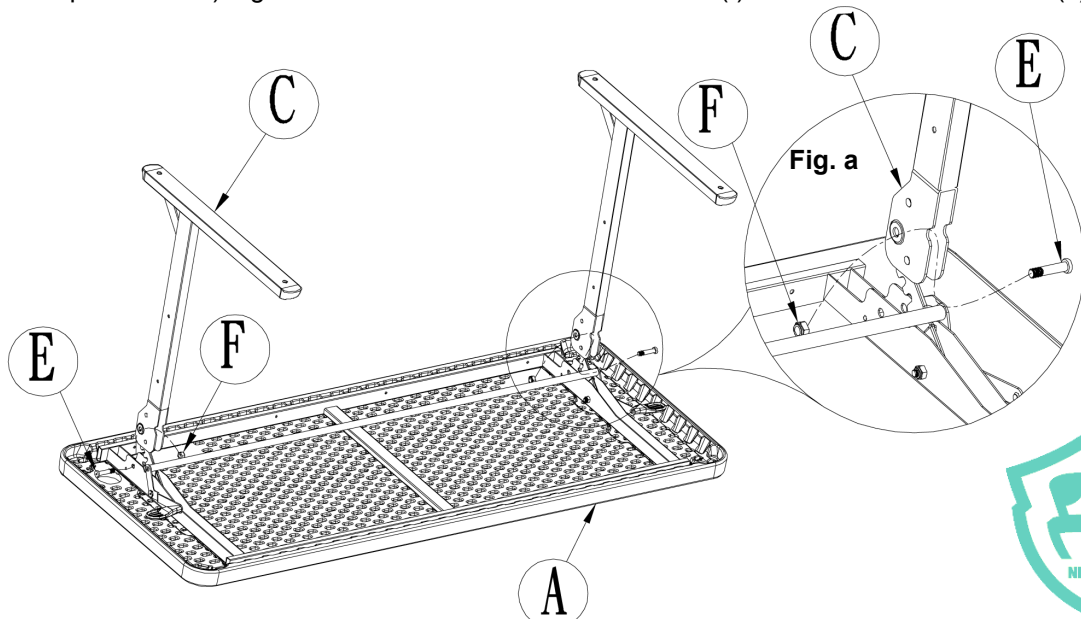
Dear customer,

Thank you for your purchase. Although great care goes into the manufacturing and packaging of this product, mistakes are possible. If you encounter any missing parts or have difficulty with assembly, please call our customer service Toll Free at **1-800-261-4112** for immediate and courteous service.

Parts List

<p>A</p>  <p>Tabletop - 1pc.</p>	<p>B</p>  <p>Modesty Panel - 1pc.</p>	<p>C</p>  <p>Leg - 2 pcs.</p>	
<p>D</p>  <p>Locking Swivel Caster - 2 pcs.</p>	<p>D1</p>  <p>Swivel Caster - 2 pcs.</p>	<p>E</p>  <p>1 3/4" Socket Screw - 2 pcs.</p>	<p>F</p>  <p>Nut - 2 pcs.</p>
<p>G</p>  <p>1 5/8" Socket Screw - 4 pcs.</p>	<p>H</p>  <p>4mm Allen Wrench - 1pc.</p>	<p>I</p>  <p>5mm Allen Wrench - 1pc.</p>	<p>J</p>  <p>Double Sided Wrench - 2 pcs.</p>

Step 1 Place tabletop (A) frame side up on a clean surface. Depress the lever on the tabletop locking mechanism to release the lock. Align holes in legs (C) with holes in tabletop frame as shown in **Fig. a** and secure with a 1 3/4" socket screw (E) and nut (F) on each side. (Ensure the elongated part for the legs are positioned over the tabletop as shown.) Tighten with enclosed 5mm Allen wrench (I) and double sided wrench (J).

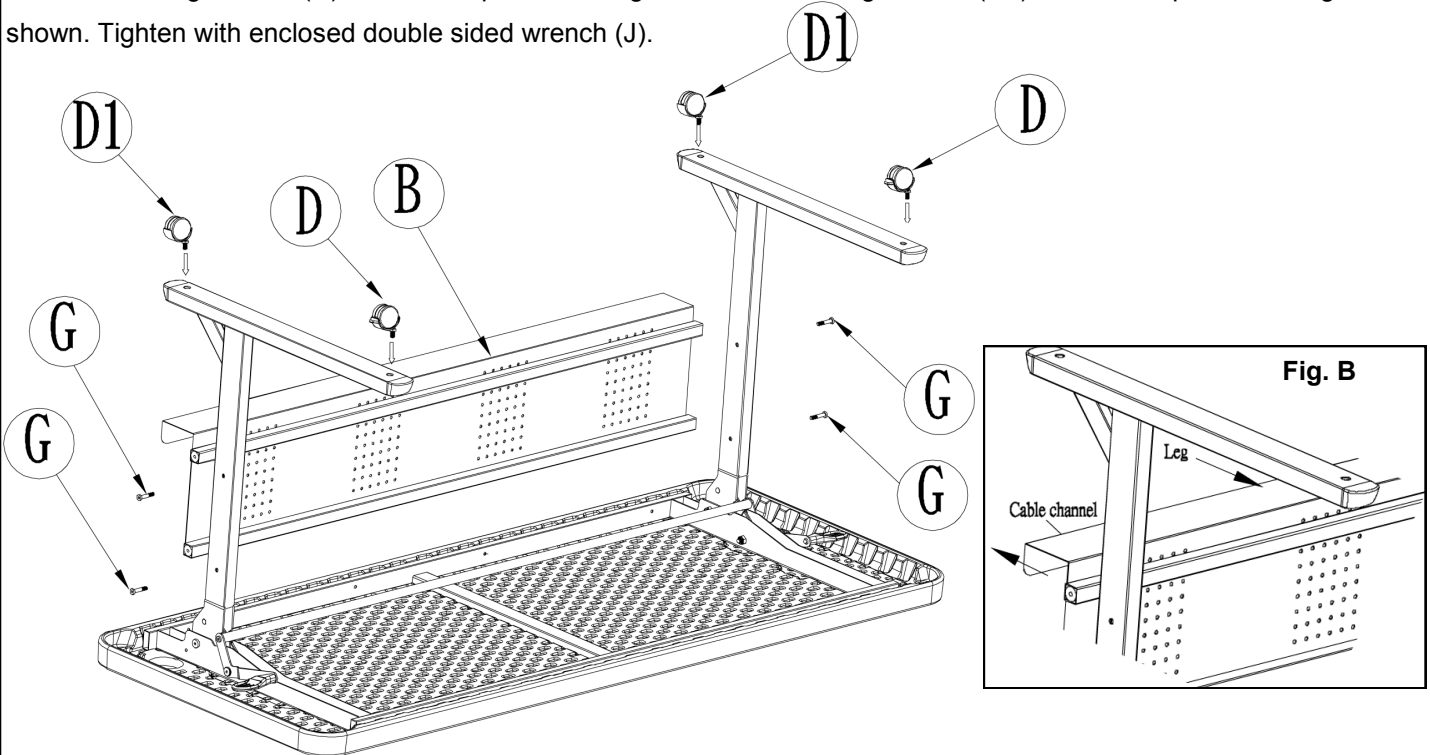


Step 2

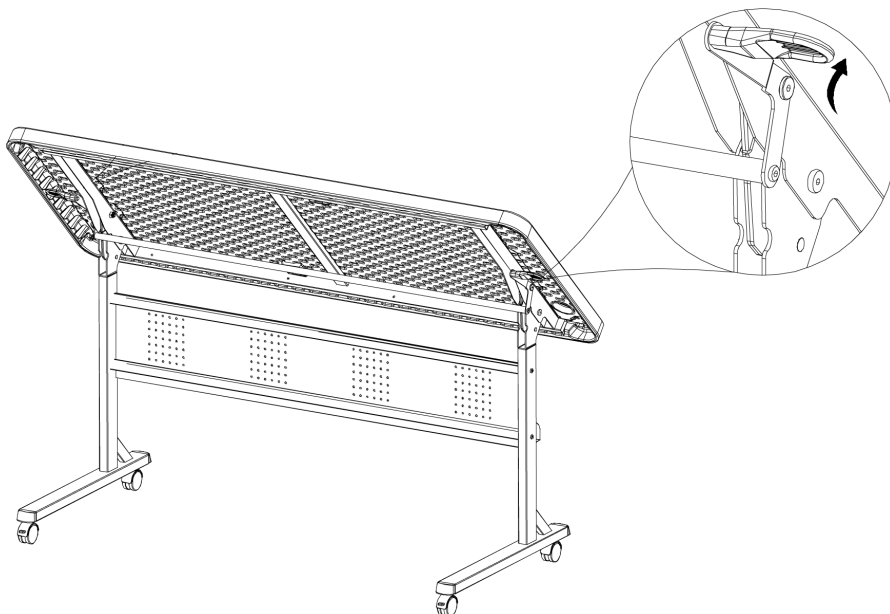
Using enclosed 4mm Allen wrench (H), attach modesty panel (B) to legs with 4 socket screws (G).

Make sure that the cable channel is facing away from the elongated part of the leg as shown in **Fig. B**.

Attach 2 locking casters (D) to the front part of the legs and 2 non-locking casters (D1) to the rear part of the legs as shown. Tighten with enclosed double sided wrench (J).



To Operate: Grasp the lever on either side of the tabletop and depress to release lock and lift tabletop until it locks in the upright position. To lower tabletop, depress lever to release lock and gently lower tabletop until it locks in the down position.



**Congratulations! Your
Flip-n-Store table is now fully
assembled!**

