

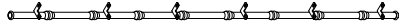



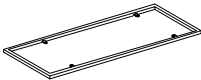





CARE AND MAINTENANCE

Wipe clean with a soft, dry cloth. Test the cleaning method on a hidden area before using them over the entire area.

NOTICE

- * Please make sure that you have all parts indicated before you begin assembly of this item.
- * This item should be assembled on a soft surface to prevent scratching the finished product during assembly.
- * This item may require periodic tightening.
- * Do not tighten bolts until completely assembled.

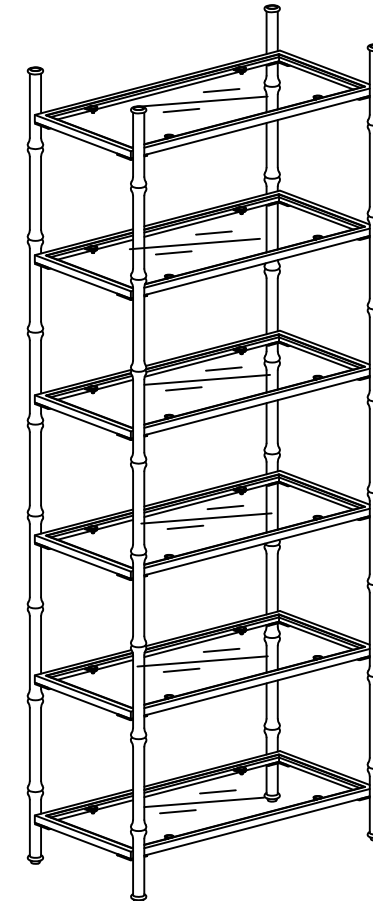
Part List and Hardware List

PIECE	DESCRIPTION	PICTURE	QUANTITY
A	Leg A		1x
B	Leg B		1x
C	Leg C		1x
D	Leg D		1x
E	Shelf Frame		6x
F	Glass Shelf		6x
H1	Allen Bolt	 1/4"x5/8"	48x
H2	Suction Cup	 Ø19	24x
H3	Allen Key	 M4	1x
H4	Anti-Tip Hardware		2x

 **SAFAVIEH**
FURNITURE

Model# ETG6201

Product Dimensions: 26"W*14"Dx68"H

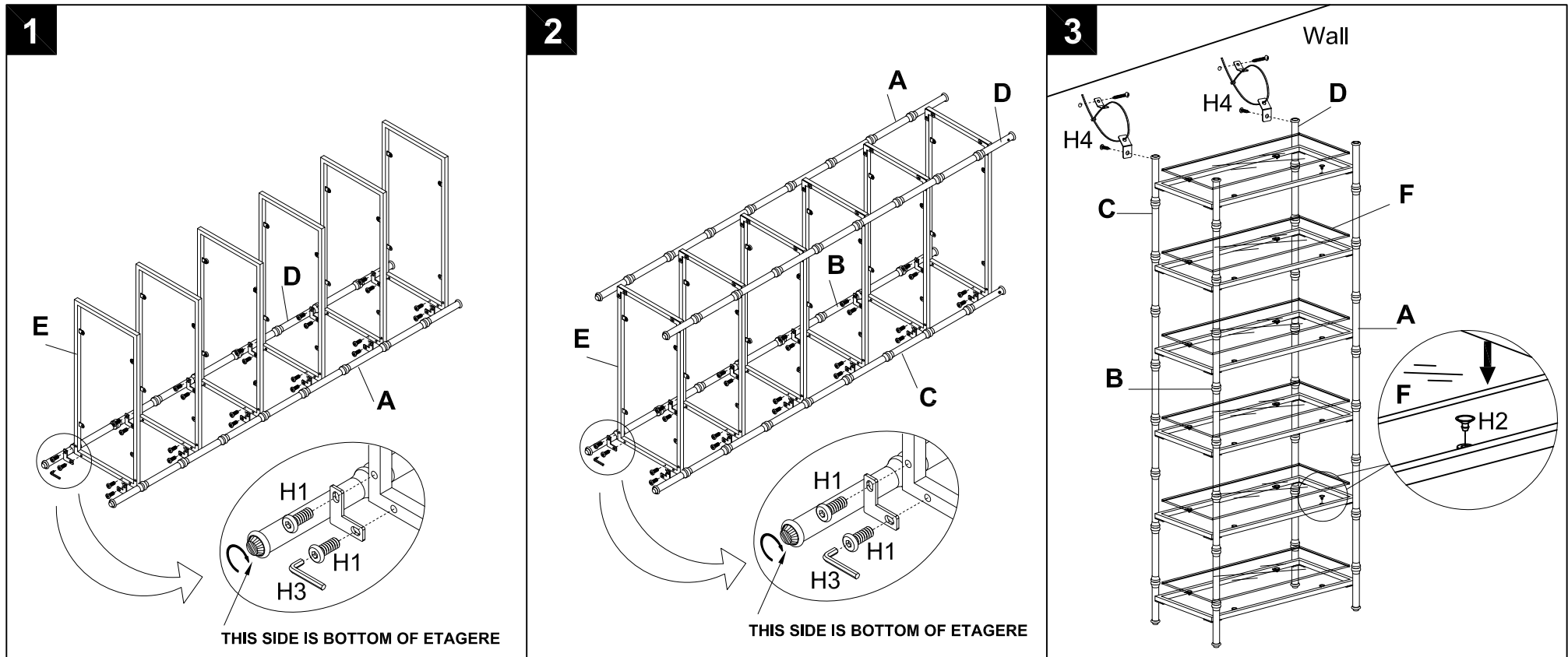


PREPARATION

Before beginning assembly of product, make sure all parts are present. Compare parts with package contents list and hardware contents list. If any part is missing or damaged, do not attempt to assemble the product.

Estimated Assembly Time: 30 minutes.

Tools Required for Assembly (included): Allen Key



Step 1

Lay the Leg A (A) and Leg D (D) and attach shelf frame (E) to both of them (B & D), Use Allen Key (H3) to lock 24*Allen bolts (H1) from the bottom of shelf frame (E).

Step 2

Lay the Leg B (B) and Leg C (C) and attach the assembled frame (as step 1), Use Allen Key (H3) to lock 24*Allen bolts (H1) from the bottom of shelf frame (E). as picture.

Step 3

Straighten up the assembled rack, place 24*suction cups (H2) on 6 metal shelves frame in position, and place 6* Glass shelves (F) on 6 shelves separately. Following the Installation Instructions of anti-tipping to fix the rack with wall by 2 straps, Assembly is completed.