

Z-VENT

MODEL SVE SERIES III **INSTALLATION AND MAINTENANCE** **INSTRUCTIONS**

3" & 4"

SPECIAL STAINLESS STEEL VENTING SYSTEM
FOR GAS BURNING APPLIANCES
CATEGORY I, II, III, & IV



TESTED AND LISTED BY
UNDERWRITERS LABORATORIES INC.
UL 1738 & ULC – S636-95
Note the following before installation of Z-Vent

- * Examine all shipping components for possible shipping damage prior to installation. *
- * The **Z-Vent** system must be free to expand and contract. Pipe must be properly supported. *
- * Proper joint assembly is essential for a safe installation. Follow these instructions exactly as written. Check severeness of joints upon completion of assembly. *
- * Check for unrestricted vent movement through walls, ceilings and roof penetrations. *
- * Different manufacturers have different joint systems and adhesives. Do Not Mix Pipe, Fittings or Joining methods from different manufacturers beyond the flue collar adaptor. *

FLEXMASTER CANADA LTD
452 ATTWELL DR.
M9W 5C3
ETOBICOKE, ONTARIO
(416) 679-0045

Z-FLEX US, INC.
20 COMMERCE PARK, NORTH
BEDFORD, N.H.
03110-691
1(800) 654-5600

Visit our web site at www.z-flex.com

SPECIAL STAINLESS STEEL VENTING
For use with Category I, II, III, IV appliances

Contact Local Building or Fire Officials about Restrictions and Installation Inspections in your area as well as National codes: USA - National Fuel Gas Code ANSI-Z223.1/NFPA 54, CANADA -CAN\CGA-B149.1 or .2 Fuel Burning Installation Code

Please refer to appliance manufacturers' instructions to determine proper sizing and connection of venting system to appliance, including maximum horizontal length, maximum height, and installation clearances (air spaces). The proper operation of the vent system and appliance requires parts specified by Z-FLEX with no deletions or substitutions.

Z-FLEX recommends that an experienced professional who works with venting systems on a regular basis perform the installation. These instructions are intended as a guide to assist a professional installer.

When the **Z-VENT** system is installed, the following should be observed:

1. A venting system that exits the structure through a sidewall or the like, shall terminate not less than 12 inches (254 mm) above the ground (see illustration # 2, page 5).
2. The termination of a system shall be located above the snow line in geographical areas where snow accumulates. The termination area should be kept clear of snow and ice at all times (see illustration # 2, page 5).
3. The vent shall not terminate less than 7 ft. (2.13 m) above a paved sidewalk or driveway.
4. The termination shall be 6 ft. (1.8 m) or more from the combustion air intake of any appliance.
5. The system shall terminate more than 3 ft. (.91 m) from any other building opening, gas utility meter, service regulator or the like.
6. Exterior mounted venting systems should be enclosed below the roof line with a chase to limit condensation and protect against mechanical failure. **Vent system must be pitched minimum 1/4" per foot back to condensate drain within the system.**

NOTES:

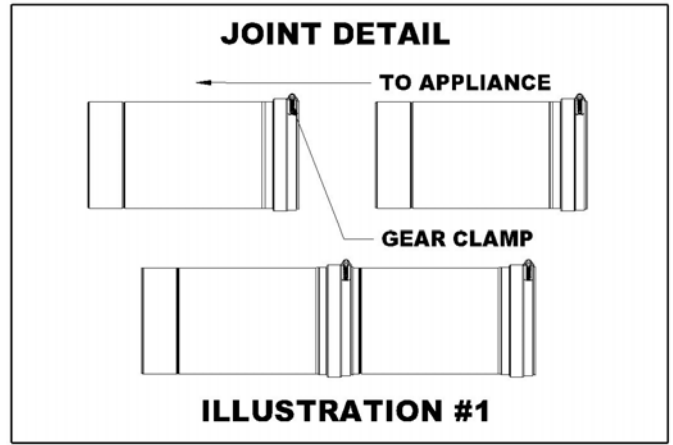
- A. The Z-FLEX SPECIAL STAINLESS VENT SYSTEM is for use only with appliances having a positive vent pressure of 8" of water column or less.
- B. Except for installation in one and two family dwellings, a venting system that extends through any zone above that on which the connected appliance is located shall be provided with an enclosure having a fire resistance rating equal to or greater than that of the floor or roof assemblies through which it passes.
- C. Do not place any type of insulation in any required air spaces surrounding the venting system.
- D. A termination must be used on all installations to assure proper operation and to prevent debris from entering the venting system.
- E. Vertical runs must use a fire-stop as a lateral support at each ceiling level and at least one support at the base of the vertical run where required by the appliance manufacturer. For vertical runs exceeding 16 ft (4.88m), a support collar is required at 16 ft (4.88m) intervals. Support horizontal runs using loose fitting metal straps as hangers and similar supports at each elbow.
- F: **It may be required to have more than one condensate drain on a single vent system.** Therefore it is recommended that **vertical** and **horizontal drain tees** with 3inch p-traps be installed on long vent systems in order to eliminate the system of condensate as quickly as possible. **Note: These Drain Tees & Traps must be accessible for future inspections.**

JOINT PROCEDURE

(see illustration #1 and images 1, 2 & 3 below)

The female end of each Z-Vent III component incorporates a silicone sealing gasket. Examine all components to insure that gasket integrity has remained during shipping. Gaskets must be in the proper position or flue gases could leak resulting in carbon monoxide poisoning.

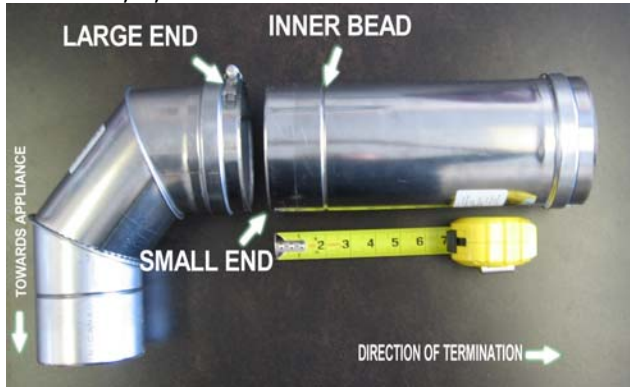
1. Align pipes and push them together as far as they will go (to indent or at least 1.75 inches).
2. Tighten gear clamp to a **minimum** torque of 40 in/lbs. and a **maximum** of 50 in/lbs. **Over tightening will cause seal to fail. DO NOT use power tools when tightening gear clamps**
3. Proper pipe orientation is essential to achieve effective condensate flow. In most cases the use of a **flue collar adaptor** is required to connect directly to the appliance. This adaptor will configure the vent orientation with the gasket end of pipe and fittings towards termination.



NOTE: Some flue collars may require the use of high temperature silicone sealant to make a positive pressure gas tight seal.

DANGER Drilling holes in the vent components is **NOT** permitted.

IMAGES 1, 2, & 3



CLEARANCE TO COMBUSTIBLES

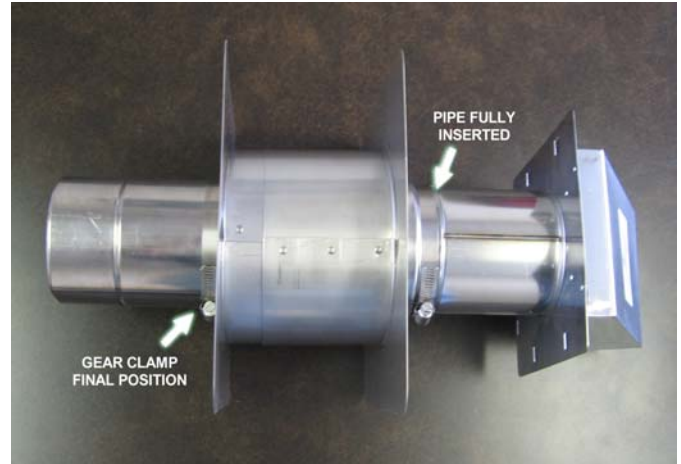
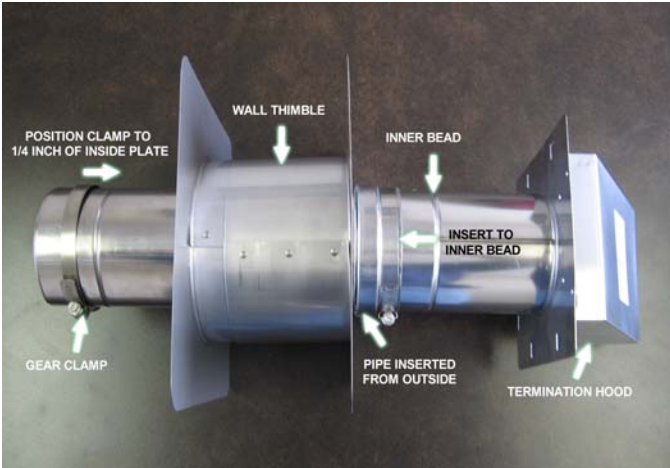
SYSTEM OPERATING TEMPERATURE	CLEARANCE ENCLOSED		CLEARANCE UNENCLOSED	
	HORIZONTAL	VERTICAL	HORIZONTAL	VERTICAL
300°F (149°C)	8" (200 mm)	4" (100 mm)	1" (25 mm)	1" (25 mm)
480°F (249°C)	8" (200 mm)	4" (100 mm)	1" (25 mm)	1" (25 mm)

SIDE WALL VENTING INSTALLATION

(see illustration #2 and images 4 & 5 below)

1. Penetrating a combustible wall requires the use of a wall thimble. The pipe may be mortared in directly without using a wall thimble, if the wall is non-combustible. Install wall thimble into wall, observing the aforementioned rules and/or local building codes. Select the point of wall penetration where the minimum 1/4" per foot of slope (6.4 mm per 305 mm) can be maintained. A framed opening is required to insert the thimble halves. The thimble is adjustable for different wall thicknesses. Caulk around outside edge of plates as necessary and fasten to wall using suitable screws or nails. The vent pipe must be sealed at wall thimble as per code regarding continuous vapor barrier.

2. The system can now be assembled through the thimble (attach the termination first - note "UP" arrow) and then back to the appliance as per illustration using **JOINT PROCEDURE** as described on page #3. A gear clamp (or locking band) must be installed around the pipe on the inside of wall to trap pipe in position so that the system cannot be moved in or out of wall (see images 4 & 5). This applies to both combustible and non-combustible walls

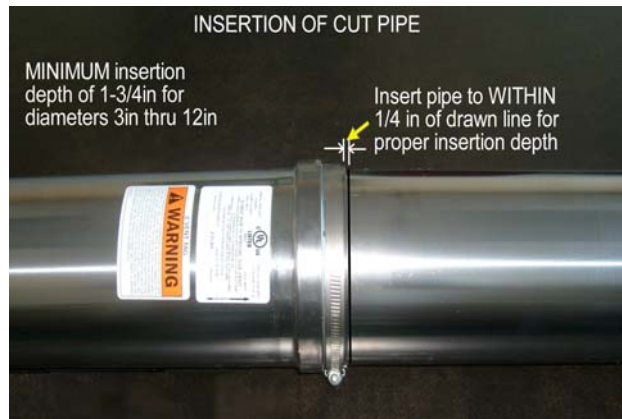


IMAGES 4 & 5

3. The system must be supported along its horizontal length at all elbow locations (see illustration 2 below) and joints (every forty-eight inches or less) using straps around pipes maintaining clearance to combustibles as per table on page 3.
4. The horizontal distance of the system from the appliance flue collar to the outside of the horizontal termination cannot be greater or less than that specified in the appliance manufacturer's installation instructions. Any horizontally installed portion of a venting system shall have a slope (upwards for Category II, III, or IV appliances or downwards for Category III or IV appliances) not less than 1/4" (6.4 mm) every 12 inches (305 mm) to prevent collection of condensate at any location in the assembly. **Fasteners must not penetrate the components of the system either when joining pipes and fittings or using support straps. Drilling holes in the vent components is not permitted.**

The lengths of pipe may be cut on non-expanded end using aviation snips or a hacksaw (24 tpi). Make certain to keep the cut end cylindrical. The cut end must be filed or sanded smooth before joining (see images 6 & 7).

- i) Measure 2 inches from cut end and draw a line to indicate depth insertion.
- ii) Insert male end into female end to within 1/4 inch of the drawn line to achieve full depth insertion.



IMAGES 6 & 7

When installing the condensate tube be sure to form a trap by means of a 3 inch (76.2 mm) loop filled with water. This tube must be 3/8 inch ID high temperature silicone for at least the first 6 inches (152 mm) and attached with a gear clamp or hose clamp (see image 8 & 9). The effluent must be disposed of according to local regulations.

NOTE: Z-FLEX recommends using a neutralizer kit when using a condensate trap. A condensate pump may be required.

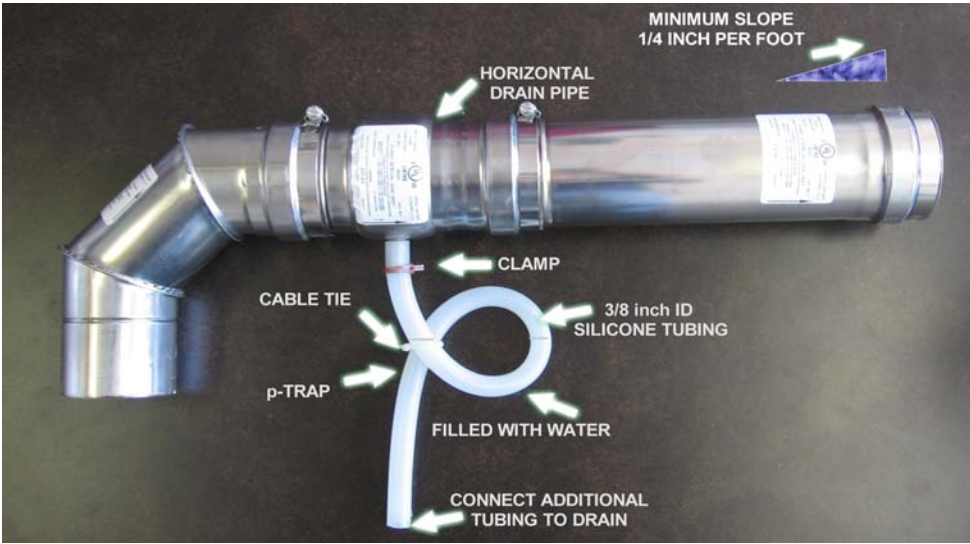


IMAGE 8

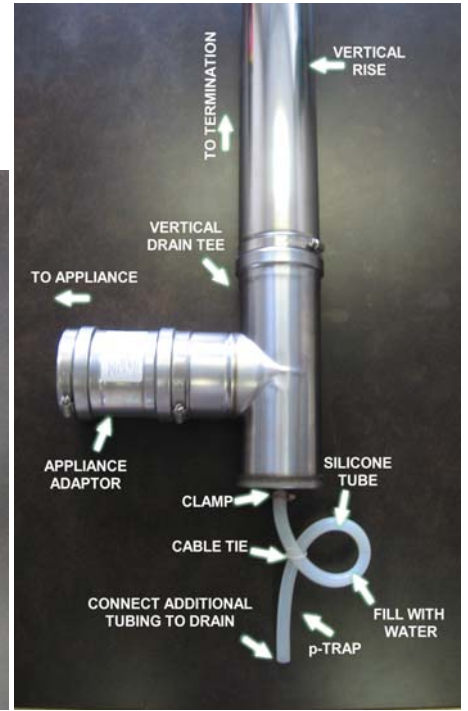


IMAGE 9

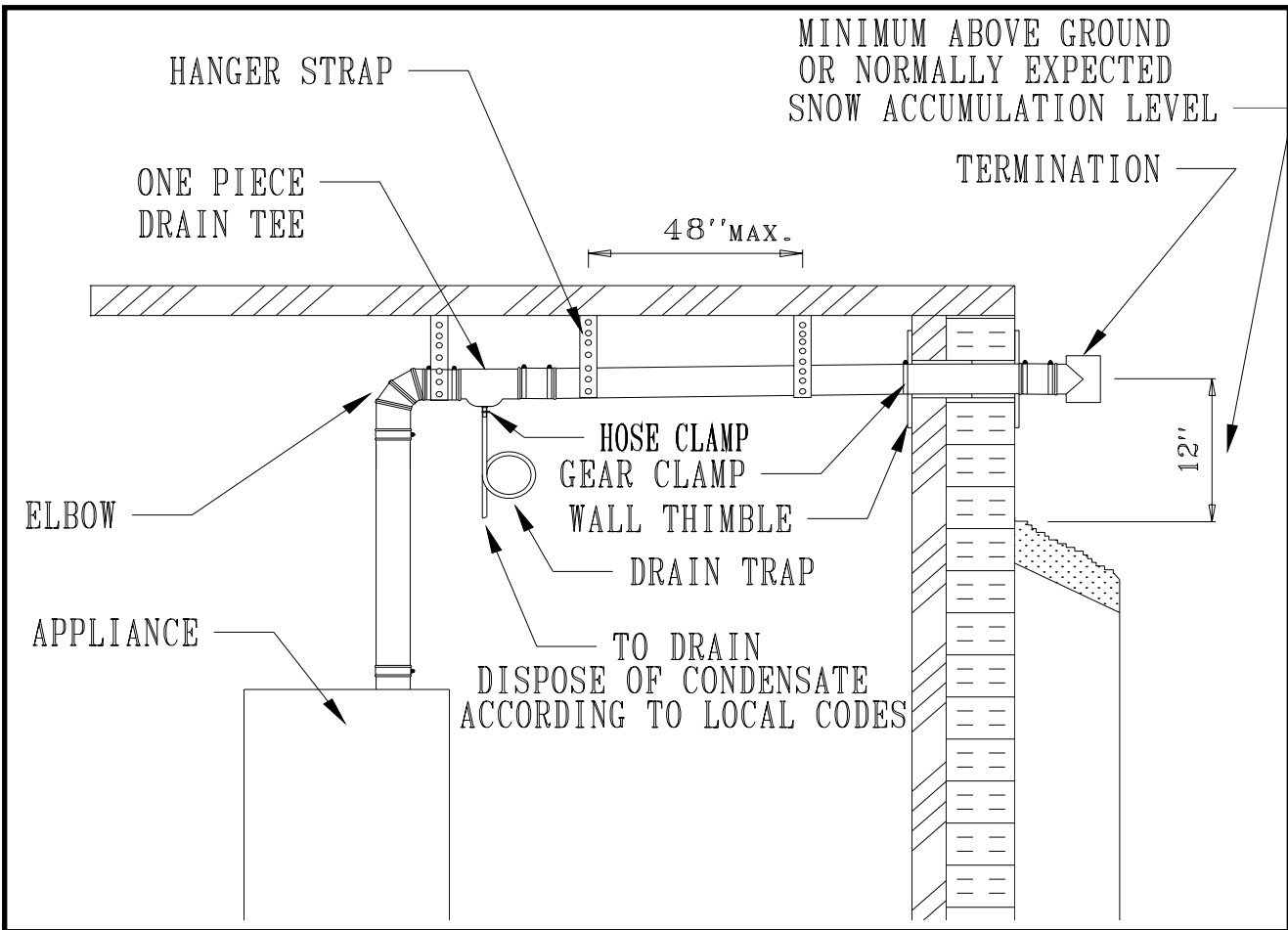


ILLUSTRATION 2

VERTICAL VENTING

(see illustrations #3 & 4)

NOTE: The vent termination above the roof line shall consist of a continuous section of vent pipe only (without any joints) and must be at least 3 ft. (1 m) to a maximum of 6ft. above the roof line and 2 ft. (.61 m) higher than any part of a structure within 10 ft. (3.1 m). The total vertical distance of the vent system from appliance flue collar to the rain cap termination and the maximum length of offsets shall not exceed that specified in the appliance manufacturer's installation instructions. No continuous vertical run shall be longer than sixty feet (18.3 m). All horizontal sections must observe the rules for **HORIZONTAL VENTING**. The clearance to combustibles inside a chase shall be no less than 4" (100 mm).

1. Prior to beginning the installation loosely assemble all parts required to make sure all parts are present.
 2. Locate position for venting system and proceed to cut holes for firestop support and firestop spacers. All vertical installations require the use of a support. Frame the opening of the floor using lumber, which is dimensionally consistent with the structural members. Insert the support from beneath the framed opening and secure with nails or screws as required.
 3. Refer to **JOINT PROCEDURE** (illustration #1 & images 1, 2 & 3) before assembling system.
 4. Install system joining pipe as required up through roof (illustration #3). Tighten gear clamp on firestop support to hold vent system. **NOTE:** A firestop must be provided when a vent passes through a combustible floor or ceiling. The opening must be framed for the support since the support also serves as a firestop.
 5. The roof flashing can now be installed. Where the vent passes through the roof a flashing must be used to maintain the required clearances and to protect from the elements. The framed opening must be large enough to provide the necessary clearances to combustibles, taking into account the slope of the roof. The flashing can be used on slopes from flat to 6/12 pitch. Install the flashing while holding the pipe centered in the opening. Fasten the flashing to the roof under the roofing material upslope from the pipe and above the roofing material below the pipe. Seal as required using high temperature silicone.
 6. Install Top Support around pipe and against flashing collar and seal using high temperature silicone. (see illustration #3, 4, 5 & 6)
 7. Attach rain cap using **JOINT PROCEDURE** (illustration #1 & images 1, 2, & 3)
 8. The vertical section is connected by an elbow joined to the horizontal run and then through a drain tee (see page 9 for details) to the appliance. Elbows are joined to pipe using the **JOINT PROCEDURE** (see illustration #1 & images 1, 2 & 3).
- NOTE:** If there is no solid anchor point in the system below the roof (ie Firestop Support etc.) then a Z-Vent Guy Band must be used below the roof as follows. (see illustration #6)
- a. Attach the Guy Band at any point above an elbow or tee in the vertical section within 20 feet of the roof.
 - b. Fasten stainless steel or galvanized cable with a minimum capacity of 500 lbs. to each of the four anchor holes.
 - c. Anchor the cables to a rigid building member using an appropriate fastening method.
9. A drain tee **MUST** be installed at the bottom of all vertical stacks in a conditioned space for a category IV vent system to collect and dispose of any condensate that may occur in the vent system.
 11. Any part of a vent system passing through an unconditioned space where freezing may occur shall be installed into a chase enclosure.

ABOVE THE ROOF

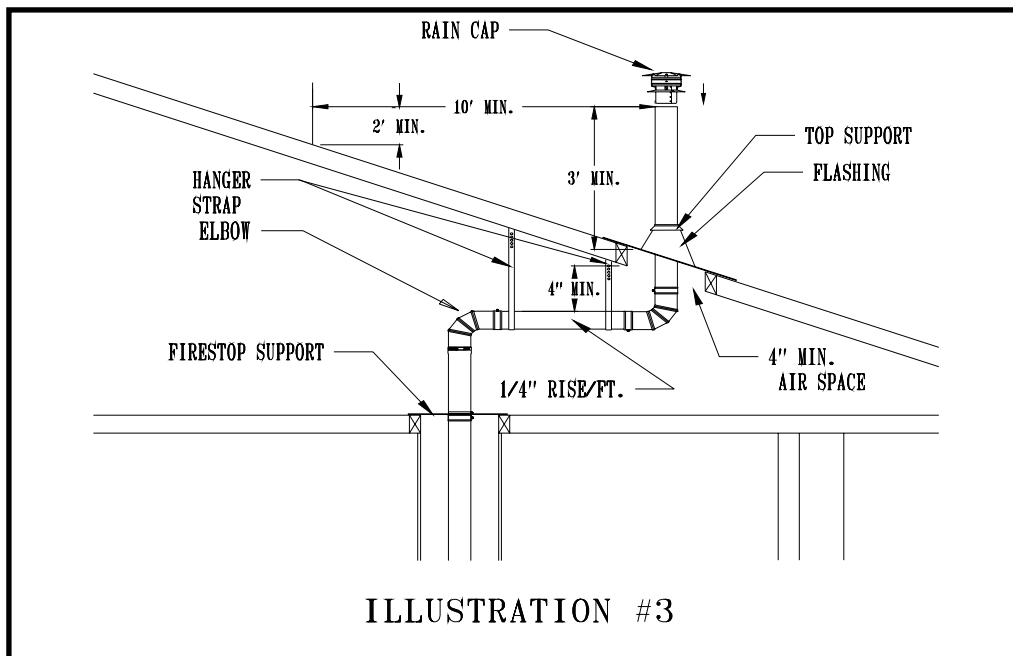
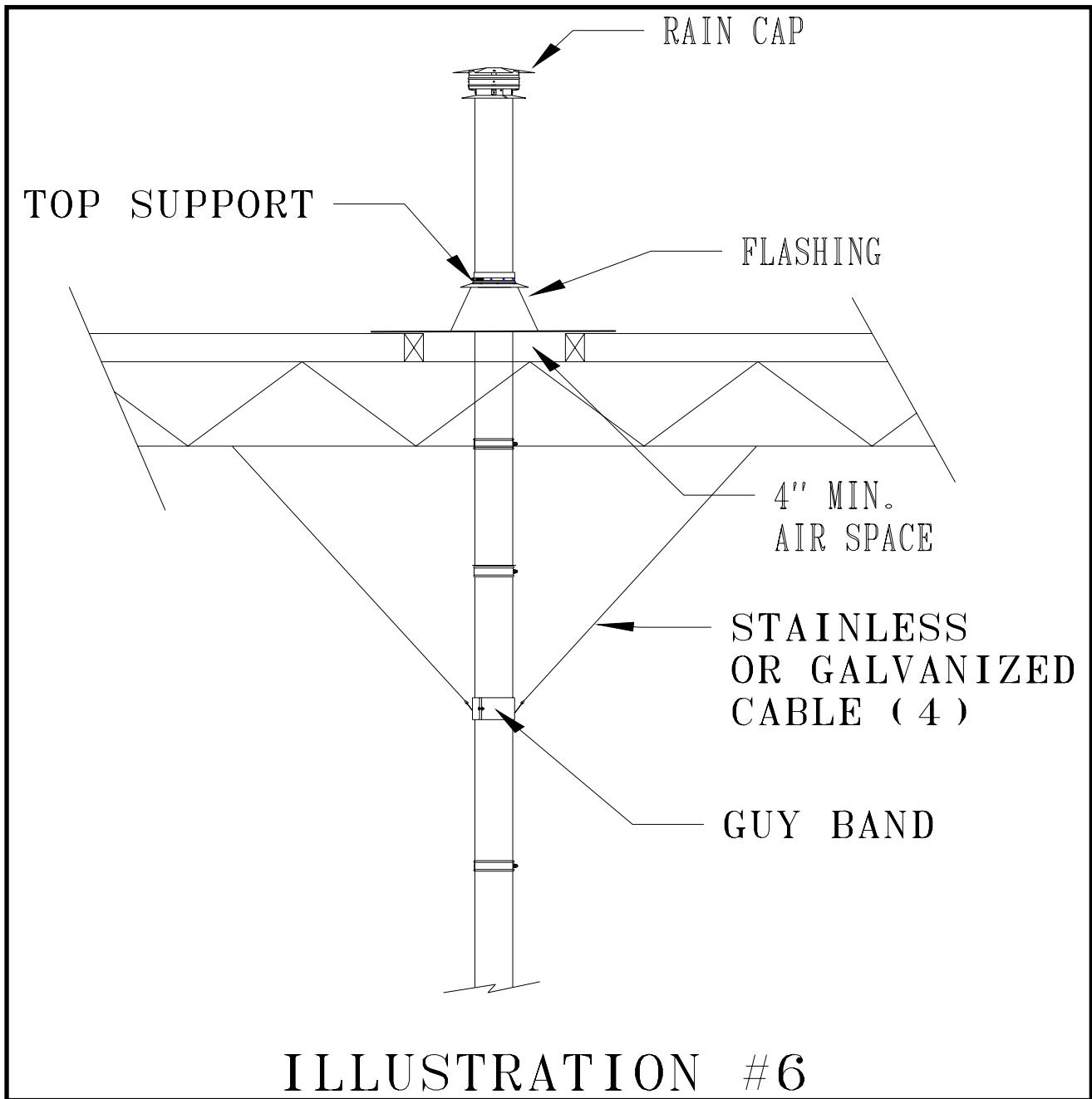


ILLUSTRATION #3



(see illustration #6)

NOTE: When Z-Vent must be extended above the roof line more than six (6) feet the Guy Band must be used to support the system.

1. Install the Guy Band below the Rain Cap using the 10-24 screw and nut provided.
2. Attach stainless steel or galvanized cable with a minimum rated capacity of 500lbs. to each of the four anchor holes.
3. Anchor the cables to a rigid building member using an appropriate fastening method

EXISTING MASONRY CHIMNEY

(see illustration #5)

NOTE: A masonry chimney flue may be used to route **Z-VENT** if no other appliance vents directly into the same flue without a liner. Prior to beginning the installation, be sure that the existing chimney meets all national and local building codes. The chimney must be cleaned, removing all soot, debris and creosote before installing **Z-VENT**.

1. Using the **JOINT PROCEDURE**, (illustration #1 & images 1, 2 & 3) join pipe lengths as they are lowered down the chimney until bottom end lines up with opening in chimney. (A rope may be used to facilitate lowering of pipe).
2. Install flashing over last pipe length and attach top support to pipe. Leave 6" (150 mm) of pipe protruding from flashing so that rain cap may be installed and to allow for any adjustment to line up base tee properly (see image 10).
3. Fasten flashing to chimney top using caulking and/or screws. If the top clay tile is still in place, the corners of the flashing must be notched and flashing plate formed down around clay tile.
4. The rain cap may now be installed using the **JOINT PROCEDURE** (illustration #1 images 1, 2 & 3).
5. Where required a drain tee should be installed to a pipe as per **JOINT PROCEDURE** (image 8 & 9).
6. The remainder of the horizontal installation to the appliance can be done the same as for side wall venting illustration 2 observing rules for **HORIZONTAL VENTING**.
7. Final adjustment may be made to the top support if necessary.

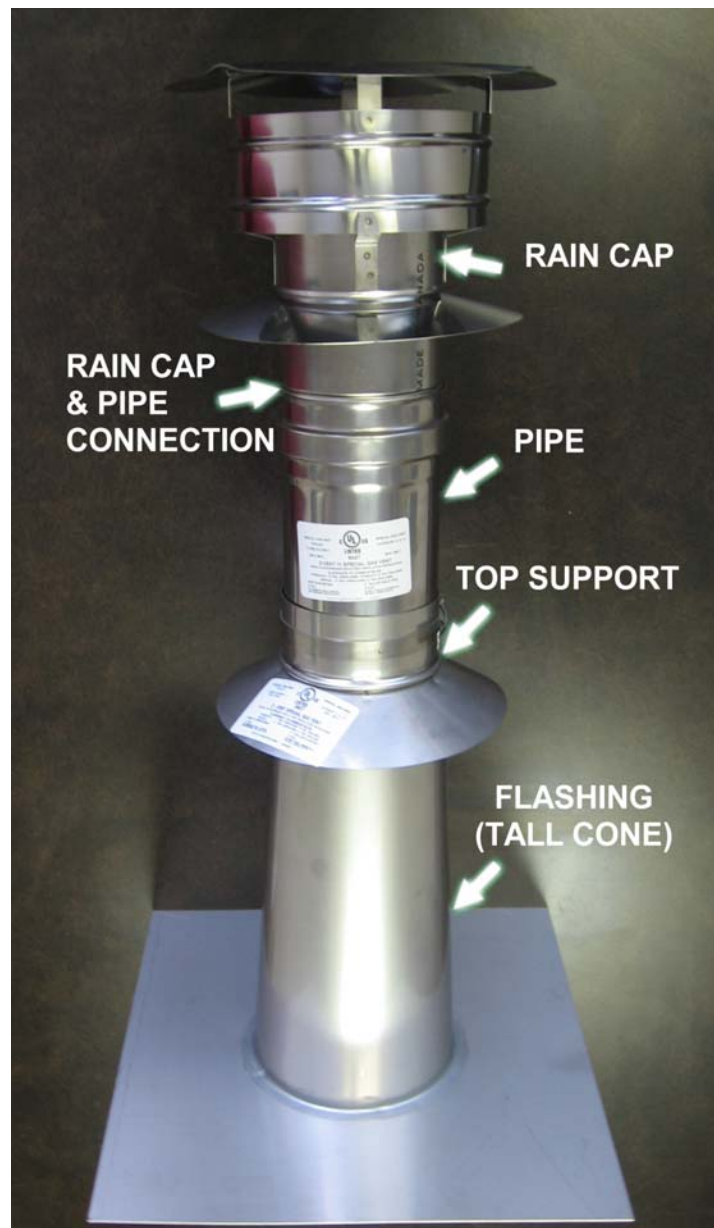
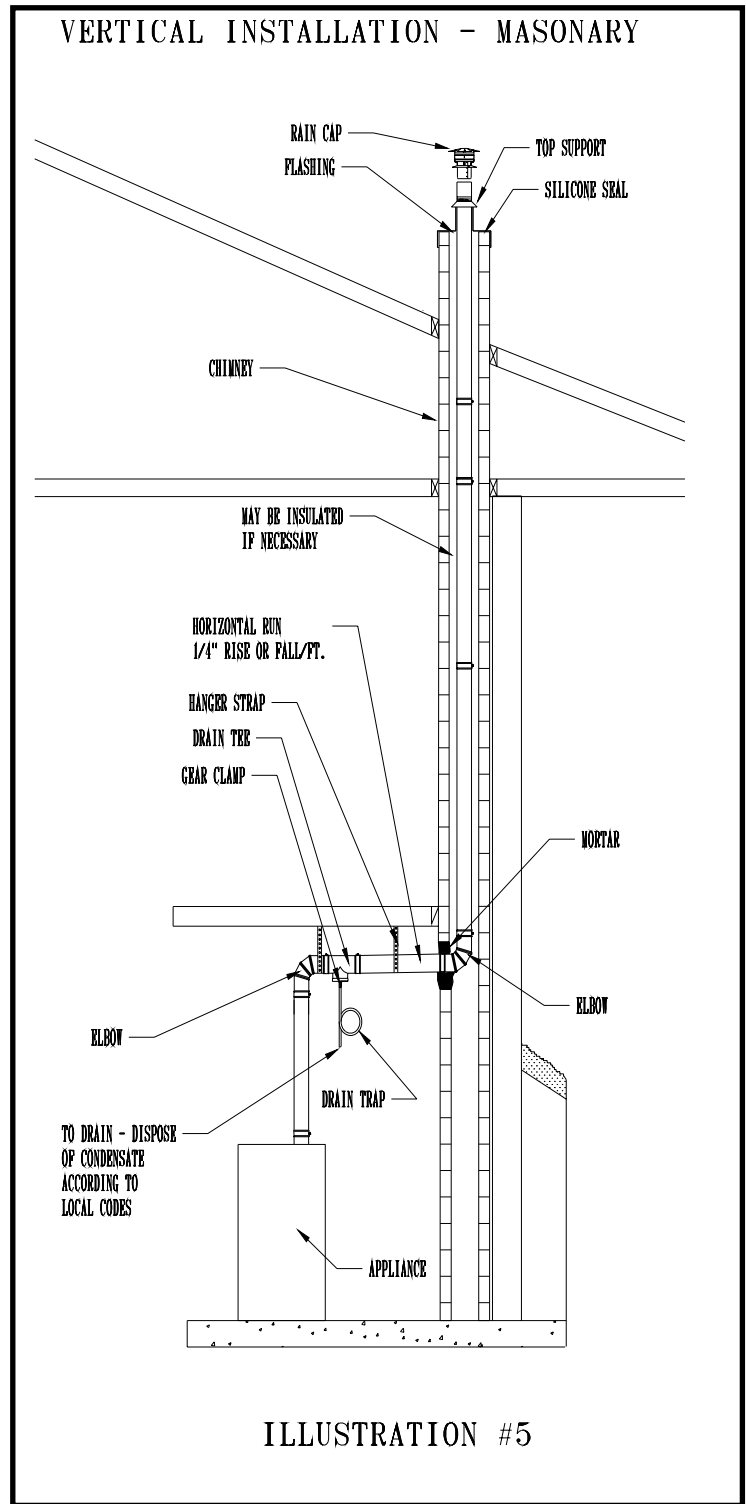
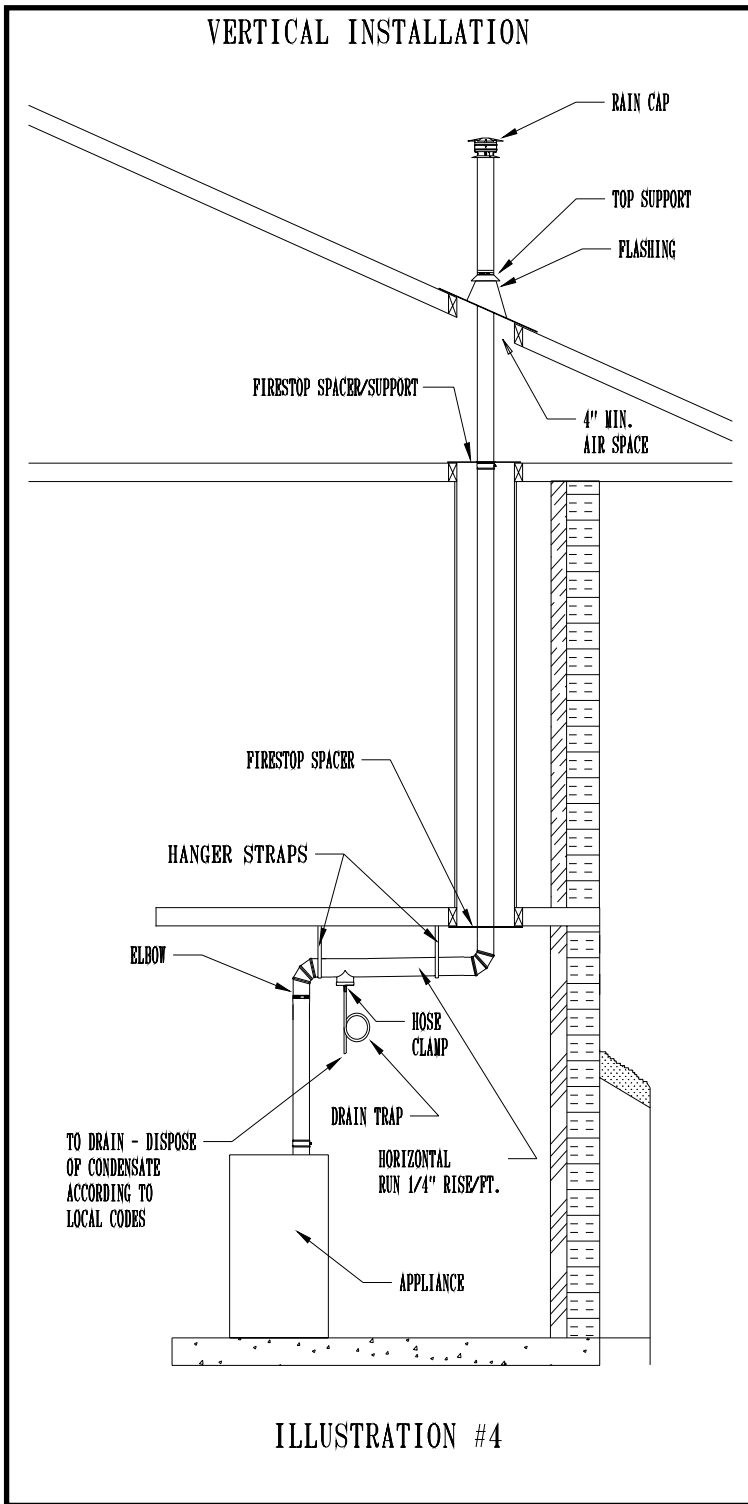


IMAGE 10



APPLIANCE CONNECTION

Refer to the appliance manufacturer's installation manual for proper method of joining **Z-VENT** to the appliance collar. An appliance adapter to suit specific requirements may be obtained from Z-FLEX.

IMPORTANT NOTICE

When any of the previous installation procedures are completed, be sure to go over the entire system to make sure all joints are secure and sealed correctly. The seams and joints must be checked for tightness prior to using the venting system.

A qualified inspector must check the entire system at least once annually following initial installation to maintain the **Z-FLEX** warranty.

The installation must conform to the requirements of the appliance manufacturers' instructions, The National Fuel Gas Code and local codes and regulations.

Z-FLEX® LIMITED LIFETIME WARRANTY

Z-FLEX® ("Seller") extends the following LIMITED WARRANTY for Z-VENT (the "Z-Vent"):

Seller warrants that at the time of purchase, the Z-Vent will be free of manufacturer's defects in material and/or workmanship. This warranty shall extend to the original purchaser of the Z-Vent or, if purchased by a contractor, to the end user. This warranty is valid for a period of fifteen (15) years from the date of purchase, provided that the Z-Vent has been installed according to Z-Flex® installation instructions. Deviating from the installation and use instructions included with the Z-Vent will void the warranty.

Under this Limited Warranty, Seller's sole responsibility and liability shall be to replace the Z-Vent and/or accessories, if found by Seller to be defective according to the terms of the warranty, and shall not include replacement installation or other costs.

IMPORTANT: The Z-Vent is designed for use with Category II, III and IV furnace and boiler venting and should not be used with any other type of furnace and boiler venting. Use of the Z-Vent with any other type of furnace and boiler venting other than those recommended by Seller for use with its Z-Vent will void the warranty.

WARNING: CONDENSATION WITH HIGH ACID CONTENT MAY BE PRODUCED DUE TO UNFORESEEN CONDITIONS. YOUR HEATING APPLIANCE AND VENTING SYSTEM SHOULD BE INSPECTED BY A LICENSED CONTRACTOR ON AN ANNUAL BASIS FOR POSSIBLE SIGNS OF DETERIORATION DUE TO RUSTING OR PIN HOLES. CONDENSATION WITH HIGH ACID CONTENT MAY CAUSE LEAKAGE OF HARMFUL GASES WHICH CAN CAUSE NAUSEA, FAINTING OR DEATH. IF DETERIORATION IS DETECTED CEASE USE OF HEATING SYSTEM AND CALL FURNACE/BOILER INSTALLER FOR REMEDIAL ACTION.

To activate the warranty, the end-user must complete and return the Z-Flex® Warranty Registration Card within ninety (90) days of installation of the Z-Vent. Upon written notice of any defects, Z-Flex® reserves the right to examine or establish reasonable proof of defective material or workmanship justifying replacement.

NO OTHER EXPRESS WARRANTY HAS BEEN MADE OR WILL BE MADE ON BEHALF OF SELLER WITH RESPECT TO THE Z-VENT OR THE INSTALLATION OR REPLACEMENT OF THE Z-VENT. SELLER SHALL NOT BE LIABLE FOR ANY SPECIAL, INCIDENTAL, INDIRECT OR CON-SEQUENTIAL DAMAGES.

As some jurisdictions do not allow the exclusion or limitation of incidental or consequential damages, the above limitations or exclusions may not apply to you.

IMPLIED WARRANTIES, INCLUDING ANY WARRANTY OF MERCHANTABILITY OR FITNESS FOR A PARTICULAR PURPOSE, IMPOSED ON THIS SALE UNDER STATE LAW, ARE LIMITED TO THE PERIOD DURING WHICH THIS WARRANTY IS IN EFFECT. AS SOME JURISDICTIONS DO NOT ALLOW LIMITATIONS ON THE LENGTH OF AN IMPLIED WARRANTY, THE ABOVE LIMITATION MAY NOT APPLY TO YOU.

Claims under this Warranty must be made within the warranty period in writing and directed to: In **the USA;** Warranty Claims, Z-Flex®(US) Inc., 20 Commerce Park North, Bedford, New Hampshire 03110, (603) 669-5136 or (800) 645-5600. **In Canada;** Warranty Claims, Z-Flex® Inc., 452 Attwell Drive, Etobicoke, Ontario, M9W 5C3, (416) 679-0045.

This Warranty gives you specific legal rights, and you may also have other rights that vary in different States and Provinces.



WARRANTY REGISTRATION CARD: Z-FLEX®

For this warranty to be effective, this card must be completed upon purchase of the covered Z-Vent and returned to Z-Flex® within ninety (90) days of installation of the Z-Vent.

Original end-user's name: _____

Address of premises in which the Z-Vent is installed: _____

Z-Vent purchased from: _____

Date of Installation: _____

Type of Heating System into which Z-Vent installed: _____

I understand and agree to the Warranty as stated: _____

Signature

Date

Flexmaster Canada Limited
Model SVEIII Instructions Ver. 4.4 Jan. 2011

Z-Vent MODÈLE SVE SÉRIE III

Instructions pour installation et entretien pour 3", 4", 5" et 6"



Système de ventilation spécial en acier inoxydable. Pour appareils à gaz Catégorie II, III, IV
Testé et listé par: **UNDERWRITERS LABORATORIES INC. UL 1738 & BH636**



SYSTÈME DE VENTILATION SPÉCIAL EN ACIER INOXYDABLE

Pour utiliser avec les appareils de Catégories II, III, IV

Consultez les autorités locales en matière de construction et service de protection contre les incendies ainsi que les normes nationales concernant les installations d'appareils à gaz - CAN\CGA-B149.1 ou .2

Veillez vous référer aux instructions fournies par les fabricants des appareils pour déterminer la grandeur et la manière appropriée pour connecter le système de ventilation à l'appareil, incluant la longueur horizontale maximale, la hauteur maximale et espace d'air requis. Pour un fonctionnement efficace du système de ventilation et de l'appareil, il est nécessaire d'utiliser les pièces spécifiées par Z-FLEX, sans aucune suppression ou substitution.

Z-FLEX recommande que l'installation soit effectuée par une personne compétente dans l'installation de systèmes de ventilation. Les instructions qui suivent sont conçues comme guide pour assister l'installateur professionnel :

1. Un système de ventilation dont la fuite sort du mur d'un bâtiment ou toute structure semblable doit se terminer non moins de 12 pouces (254 mm) du sol (voir illustration #2, page 4).
2. Le bout de finition du système doit être situé au-dessus de la ligne de neige là où il y a accumulation de neige. En tout temps, le bout de finition doit être débarrassé de tout obstacle tel que la neige ou la glace.
3. Le tuyau d'évent doit être d'une distance d'au moins de 7 pieds (2.13 m) d'un trottoir, d'une allée ou entrée de garage.
4. Le bout de finition doit être d'une distance minimum de 6 pieds (1.8 m) de la prise d'arrivée de combustibles de tout appareil.
5. Le système doit se terminer plus de 3 pieds (.91 m) de toute autre ouverture de ventilation du bâtiment, du compteur pour gaz, régulateur de service ou mécanisme semblable.
6. Les systèmes de ventilation installés à l'extérieur doivent être recouverts au-dessous de la ligne de la toiture afin d'éliminer la condensation et protéger le système contre les pannes mécaniques.

Remarques :

A. Le SYSTÈME DE VENTILATION SPÉCIAL EN ACIER INOXYDABLE de Z-FLEX doit être utilisé

seulement avec des appareils possédant une pression de ventilation de colonne d'eau de 8 pouces ou moins.

B. À l'exception des installations pour structure résidentielles d'une ou deux familles, pour un appareil couvrant une plus grande superficie, le système de ventilation doit être pourvu d'un recouvrement à l'épreuve du feu possédant un taux de résistance égal ou plus élevé que celui du plancher ou de la toiture qu'il traverse.

C. Ne pas se servir de matériaux d'isolation dans aucune des espaces d'air entourant le système de ventilation.

D. Toutes les installations doivent être munies d'un bout de finition afin d'assurer un fonctionnement efficace et d'empêcher les débris de pénétrer le système.

E. Le système Z-Vent doit être libre de se dilater et se contracter. Les tuyaux doivent être bien soutenus. Les tuyaux d'évent verticaux doivent être munis de soutiens latéraux à l'épreuve du feu à chaque niveau du plafond et munis d'au moins d'un collet de support à la base du tuyau. Pour un tuyau d'évent vertical de plus de 16' (4.88 m), un collet de support est requis à tous les intervalles de 16' (4.88 m). Les tuyaux d'évent horizontaux exigent qu'ils soient attachés avec une agrafe métallique relâchée ou soutien semblable à chaque joint.

F. Avant d'installer, veuillez inspecter toutes les pièces pour dommages qui auraient pu se produire en chemin.

G. Pour une installation sûre, les joints doivent être assemblés correctement. Veuillez suivre ces instructions à la lettre. Vérifier la résistance des joints après avoir effectué l'assemblage.

H. Faites certain qu'il n'y a aucune restrictions autour du tuyau d'évent là où il pénètre à travers les murs, les plafonds ou la toiture.

I. Tous les fabricants ont leurs propres systèmes de joints et d'adhésifs; ne pas mélanger la tuyauterie, les pièces ou méthode d'assemblage de différents fabricants.

Z-Vent MODÈLE SVE SÉRIE III

Instructions pour installation et entretien pour 3", 4", 5" et 6"

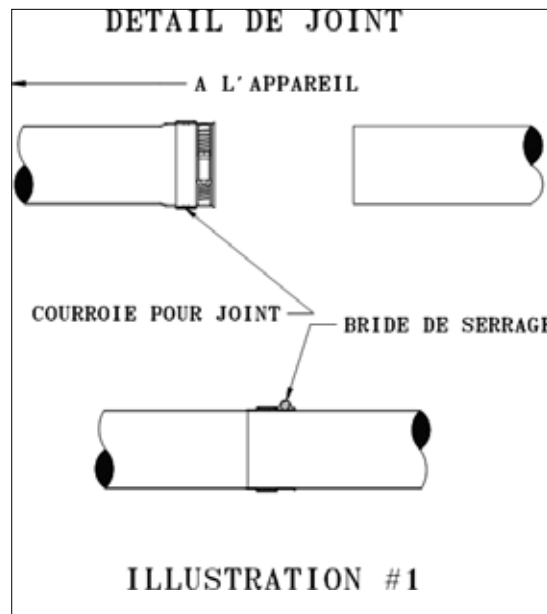
PROCÉDÉ POUR INSTALLATION DES JOINTS

(voir l'illustration #1 ci-dessous)

L'extrémité femelle de chaque pièce Z-Vent III est muni d'un joint protecteur de silicone. Vérifiez tous les composants pour s'assurer que le joint intégré est demeuré en place durant la transportation. Les joints doivent être correctement en place ou des émanations gazeuses pourraient s'échapper et causer des empoisonnements par monoxyde de carbone.

1. Aligner les tuyaux et les pousser ensemble aussi loin que possible (chevaucher ou renforcer d'au moins 1.75 pouces). Resserrer le crampon à un torque minimum de 40 po./lb et un maximum de 50 po./lb. Les systèmes de 6 pouces de diamètre n'ont pas besoin de crampons.

Remarque: Certains collets de conduits de cheminées peuvent avoir besoin d'un scellant à base de silicone pour haute température afin de créer un scellement serré pour émanations gazeuses.



Espace Libre Contre les Matières Combustibles				
Température ambiante du système	Espace libre pour endroit fermé		Espace libre pour endroit ouvert	
	Horizontal	Vertical	Horizontal	Vertical
300°F (149°C)	8" (200 mm)	4" (100 mm)	1" (25 mm)	1" (25 mm)
480°F (249°C)	8" (200 mm)	4" (100 mm)	1" (25 mm)	N/A
Procédé pour installer un système de ventilation à travers d'un mur de côté				

Z-Vent MODÈLE SVE SÉRIE III

Instructions pour installation et entretien pour 3", 4", 5" et 6"

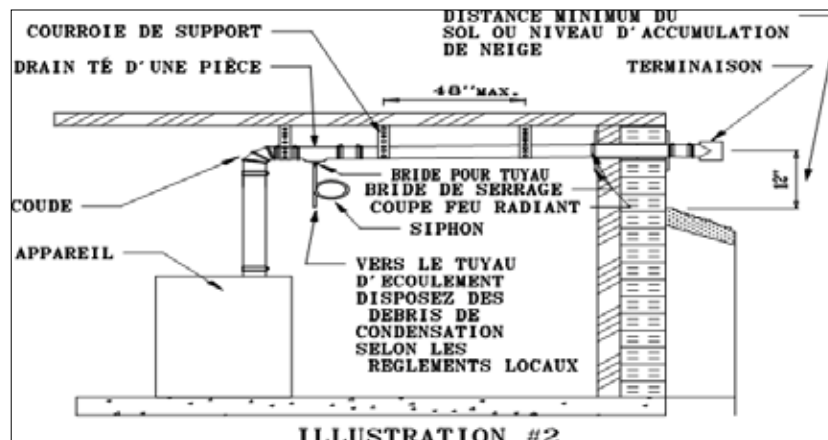
(EVENT HORIZONTAL)(voir l'illustration #2 ci-dessous)

1. Il est nécessaire d'utiliser un coupe-feu radiant mural afin de pénétrer un mur de côté combustible. Le tuyau peut être cimenté directement à travers le mur sans utiliser un coupe-feu radiant mural si le mur n'est pas combustible. Veuillez installer ce coupe-feu dans le mur, tout en observant les règles suivantes et/ou demeurant conforme aux normes locales sur le bâtiment. Choisir le point de pénétration à travers le mur où un minimum 1/4 " par pied de pente (6.4 mm par 305 mm) peut être maintenu. Une ouverture encadrée est requise pour insérer chaque moitié de ce coupe-feu radiant mural. Celui-ci est télescopique afin d'accommoder des murs de différentes épaisseurs. Appliquez un mastic autour des bords extérieurs du collet tel que requis et fixez au mur avec des vis ou des clous appropriés. Le tuyau d'évent doit être sceller contre le coupe-feu radiant mural selon les règles s'appliquant aux coupes vapeurs.
2. Vous pouvez maintenant assembler le système à travers le coupe-feu radiant mural (attachez la pièce de finition en premier – notez la flèche ↑ désignant le haut) retournez ensuite à l'appareil tel qu'illustré à la page 3 et en utilisant le procédé pour installation des joints. Une bride de serrage ou (bride de fermeture) doit être installée autour du tuyau à l'intérieur du mur pour que le système soit fixé en permanence afin qu'il ne puisse pas bouger ni à l'intérieur ni à l'extérieur du mur. Ceci s'applique pour des murs combustibles et non combustibles.
3. Le système doit être supporté sur la longueur horizontale là où il y a des coudes et joints (à tous les 48 pouces ou moins) en utilisant des brides autour du tuyau tout en

maintenant un dégagement pour combustibles avec le plafond tel que décrit à la page 3.

4. La distance horizontale entre le collet du conduit de l'appareil et la finition extérieure horizontale ne doit pas excéder la distance recommandée par les manufacturiers et ne doit pas être moins de 4 pieds, à moins que l'évent traverse un mur non combustible.

Toute portion d'un système de ventilation installé horizontalement doit avoir une pente (vers le haut pour appareils de catégories II et soit vers le haut ou le bas pour appareils de catégorie III ou IV). Cette pente ne doit pas être de moins 1/4 de pouce (6.4 mm) à tous les 12 pouces (305 mm) afin d'empêcher l'accumulation de condensation dans le système. Les courroies de support ne doivent pas pénétrer les composants du système lors de l'assemblage des joints et de l'équipement, ou lorsque des brides de support sont utilisées. Le tuyau peut être coupé en longueurs où il n'a pas de rallonges en utilisant des pinces ou scie à métaux (24 tpi). L'extrémité coupée doit être limée ou sablée pour rendre la surface lisse avant de l'insérer. Lorsque vous installez un tube de condensation assurez-vous de former un siphon à l'aide d'un tuyau d'échappement de 3 pouces (76.2 mm) rempli d'eau. Ce tube doit être d'un diamètre intérieur de 3/8 de pouce, composé de silicone pour température élevée du moins pour les premiers six pouces (152 mm) et supporté avec un crampon ou courroies de support. Veuillez disposer des débris causés par la condensation selon les règlements locaux.



Remarque: Z-FLEX recommande l'utilisation d'une trousse de neutralisation lorsque vous vous servez d'un siphon de condensation. Une pompe pour condensation peut être requise.

Z-Vent MODÈLE SVE SÉRIE III

Instructions pour installation et entretien pour 3", 4", 5" et 6"

EVENT VERTICAL (voir illustrations no 3 et 4)

Remarque: La distance de l'extrémité du tuyau d'évent doit être d'un minimum de 3 pieds (1 m), à un maximum de 6 pieds de la toiture et doit excéder d'au moins 2 pouces (.61 m) tout mur, édifice adjacent ou point le plus élevé du toit se situant dans un rayon de 10 pieds (3.1 m). La distance verticale totale du système de ventilation allant du collier de l'appareil au bout du chapeau de cheminée et la longueur maximale de déviation ne doit pas dépasser la distance spécifiée dans les instructions du manufacturier. Aucune longueur verticale ne doit dépasser soixante pieds (18.3 m). Toutes les sections horizontales doivent suivre les règles s'appliquant à la ventilation horizontale. Le dégagement par rapport aux combustibles ne doit pas être moins de 4" (100 mm) de l'emboîtement.

1. Avant de procéder à l'installation, sans serrer, assemblez les pièces requises afin de vous assurer qu'elles sont toutes incluses.

2. Etablissez la position du système de ventilation et découpez les ouvertures pour les supports de coupe-feu radiant et pour collets de solin de coupe-feu. Un support est requis pour toutes les installations verticales. Encadrez l'ouverture du plancher avec du bois qui est de la même dimension que la structure du bâtiment. Insérez le support par le bas de l'ouverture structurée et clouer ou visser en place tel que requis.

3. Avant d'assembler le système, veuillez vous référer au «Procédé pour installation des joints» (illustration #1).

4. Pour installer le système assemblez les conduits l'un dans l'autre tel que requis jusqu'à qu'ils traversent le toit. (voir l'illustration page 7). Serrez le crampon du support du coupe-feu radiant afin d'ancrer le système.

Remarque: Assurez-vous d'installer un coupe-feu radiant là où le conduit traverse la structure d'un plancher ou plafond combustible. L'ouverture doit être emboîtée pour le support, puisque ce support sert aussi de coupe-feu.

5. Posez le solin de toit. Là où le conduit traverse la toiture, un solin doit être utilisé pour maintenir les dégagements requis et pour protéger contre les intempéries. L'ouverture de l'emboîtement doit être assez grande pour accommoder les dégagements nécessaires contre les combustibles, prenant en considération la pente de la toiture. Le solin peut être utilisé sur des toits plats ou inclinés jusqu'à 6/12. Installez le solin de toit en tenant le conduit au milieu de l'ouverture. Attachez le solin sur le toit au-dessous des bardeaux allant vers le haut du conduit et au-dessus des bardeaux allant vers le bas – glissez environ la moitié du solin sous les bardeaux. Scellez le joint entre le toit et le solin à l'aide de silicone pour température élevée.

6. Installez un support autour du conduit et contre le collier du solin. (illustrations #3,4,5,6)

7. Posez le chapeau de cheminée en utilisant le «Procédé pour installation des joints» (illustration #1).

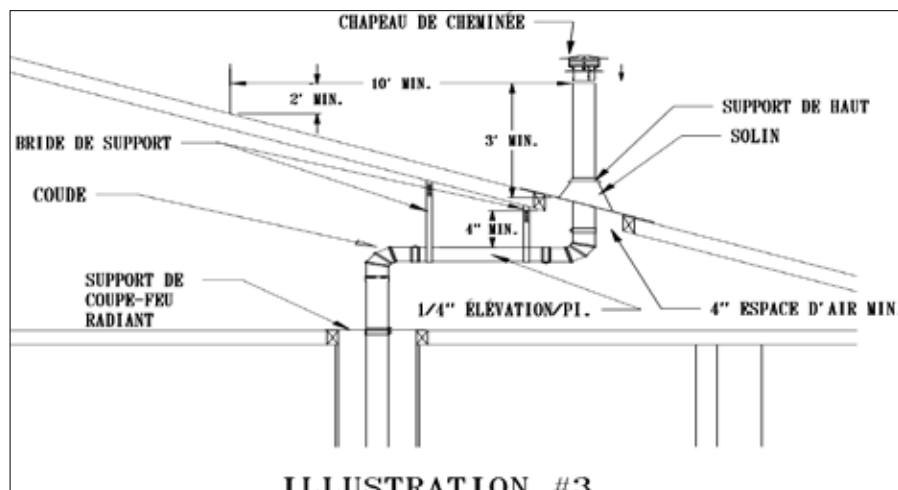
8. Installez un coude entre la section verticale et la longueur horizontale, ensuite à travers un té d'évacuation à l'appareil (voir détails en page 4). Joindre les coudes au conduit utilisant le «Procédé pour installation des joints» (illustration #1).

Remarque: Si le système ne possède pas de point d'encrage solide en dessous du toit, (support de coupe-feu radiant), une bride rétentrice doit être installée en dessous du toit. (Voir illustration #6).

a. Sur la section verticale, attachez la bride rétentrice au-dessous d'un coude ou té à une distance de moins de 20 pieds du toit.

b. Attachez un câble en acier inoxydable ou acier galvanisé possédant une capacité d'au moins 500 livres à chacun des orifices d'ancrage.

c. Veuillez ancrer les câbles à la structure rigide utilisant une méthode d'attachement appropriée.



Z-Vent MODÈLE SVE SÉRIE III

Instructions pour installation et entretien pour 3", 4", 5" et 6"

AU-DESSUS DU TOIT (voir illustration #6)

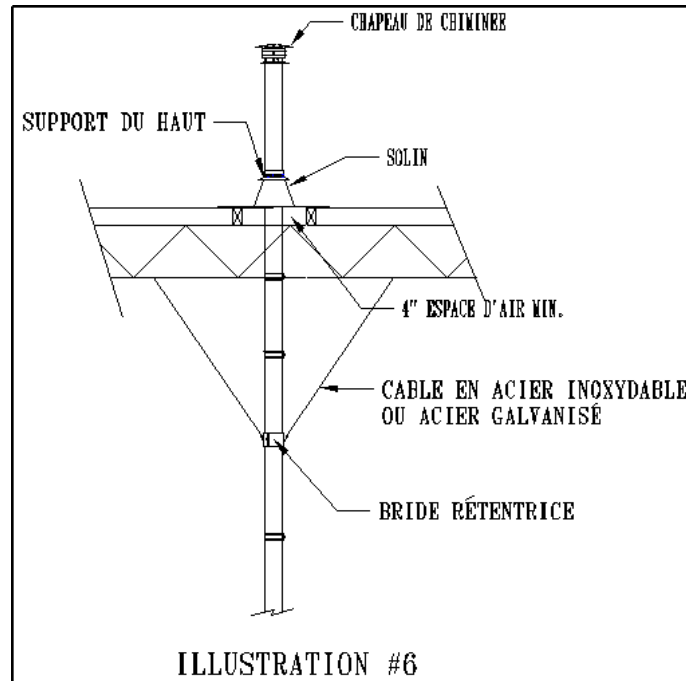
Remarque: Lorsque l'évent « Z-Flex » doit dépasser le toit pour une distance de plus de six pieds, une bride de toit s'avère essentielle afin d'établir une meilleure stabilité au système.

1. Installez la bride de toit en dessous du chapeau de

cheminée en utilisant la vis et noix 10-24 fournies.

2. Attachez un câble en acier inoxydable ou acier galvanisé possédant une capacité d'au moins 500 livres à chacun des orifices d'ancrage.

3. Veuillez ancrer les câbles à la structure rigide utilisant une méthode d'attachement appropriée.



CHEMINÉ DE MAÇONNERIE EXISTANT DÉJÀ (voir illustration #5)

Remarque: Le conduit d'une cheminée de maçonnerie peut être utilisé pour passer le conduit Z-Vent si aucun autre appareil ne passe directement par ce même conduit sans gaine rigide. Avant de procéder à l'installation, assurez-vous que la cheminée en question se conforme aux règlements municipaux et le Code national du bâtiment. La cheminée doit être nettoyée à fond de tous les résidus de suie, débris et créosote avant d'installer le conduit Z-Vent

1. Utilisant le « Procédé pour installation des joints » (illustration #1), assemblez les longueurs de tuyau à mesure qu'elles descendent la cheminée jusqu'à ce que la finition du bas soit alignée avec l'ouverture de la cheminée. (Vous pouvez utiliser une corde pour faciliter la descente du conduit).

2. Installez le solin sur la dernière longueur du conduit et attachez le renfort supérieur au conduit. Le conduit

doit dépasser le solin de 6" (150 mm) afin d'installer le chapeau de cheminée et aussi pouvoir effectuer tout ajustement nécessaire pour aligner le té à la base.

3. Sceller le joint du solin à la cheminée avec un silicone ou des vis. Si la tuile d'argile au haut de la cheminée est encore en place, pincez les coins du solin à la cheminée et pliez le solin vers le bas pour qu'il recouvre la tuile.

4. Vous pouvez maintenant installer le chapeau de cheminée en utilisant les instructions du « Procédé pour installation des joints » (illustration #1).

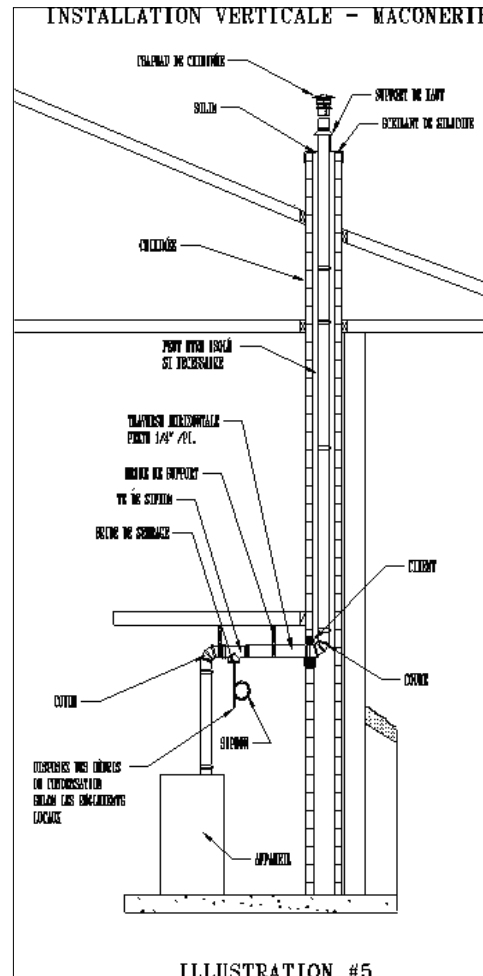
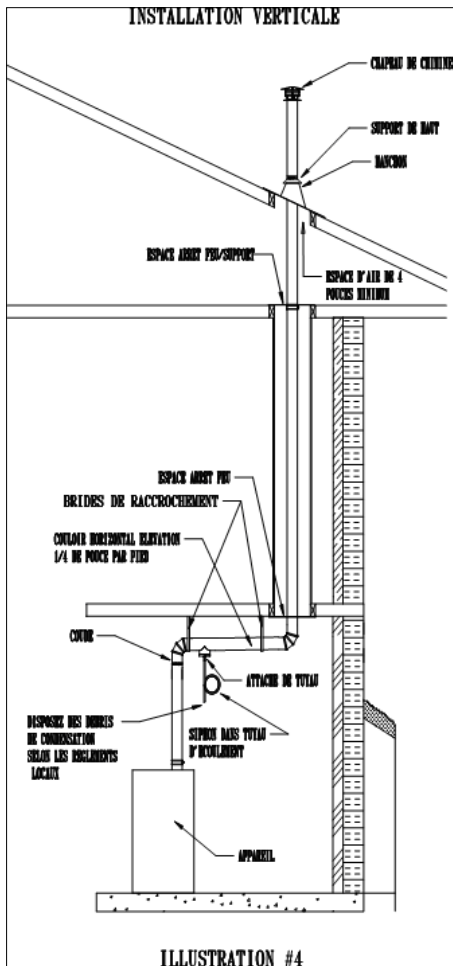
5. Un té d'évacuation devrait être installé au tuyau là où il est requis, voir « Procédé pour installation des joints » illustration #1).

6. Le reste de l'installation horizontale à l'appareil peut être fait de la même manière que le « Procédé pour installer un système de ventilation à travers d'un mur de côté » à la page 4.

7. Un ajustement final au support du haut peut être fait si requis.

Z-Vent MODÈLE SVE SÉRIE III

Instructions pour installation et entretien pour 3", 4", 5" et 6"



Connections de l'appareil

Veillez vous référer au manuel d'installation du fabricant pour la méthode appropriée de rattachement du système Z-Vent au collier de l'appareil. Un adaptateur d'appareil pour besoins spécifiques peut être obtenu de Z-Vent.

Note Importante

Lorsque l'installation est terminée, vérifiez le système entier et faites certain que tous les joints sont bien attachés et scellés correctement. Il est important de vérifier les joints

et scellements pour faire sûre qu'ils sont bien serrés avant d'utiliser le système de ventilation.

Faisant suite à l'installation initiale, au moins une fois par année, le système doit être vérifié par un inspecteur certifié pour préserver la garantie de Z-FLEX. L'installation doit se conformer aux instructions tel que requis par le fabricant de l'appareil, au Code national pour les combustibles gazeux ainsi que les codes et règlements locaux.

Z-Vent MODÈLE SVE SÉRIE III

Instructions pour installation et entretien pour 3", 4", 5" et 6"

Garantie Limitée à Vie de Z-FLEX[®]

Z-FLEX[®] ("Vendeur") offre une garantie limitée sur les systèmes de conduits Z-VENT:

Le Vendeur garantit qu'au moment de l'achat, le conduit Z-Vent sera libre de tout défaut de matériaux et/ou de fabrication. Cette garantie s'applique au propriétaire original du conduit Z-Vent ou, si acheté par un contracteur s'applique au propriétaire final. Cette garantie est valide pour une période de 15 ans suivant la date d'achat, en autant que le système de conduit Z-Vent aie été installé selon les instructions d'installation fournies par Z-Flex[®]. Toute déviation des instructions d'usage ou d'installation incluses avec le conduit Z-Vent rendra la garantie nulle et non avenue.

Sous cette garantie limitée, la seule responsabilité et obligation du vendeur sera de remplacer le conduit Z-Vent et/ou accessoires si jugés défectueux par le vendeur selon les termes de cette garantie mais n'inclura pas les frais d'installation ni autres dépenses.

IMPORTANT: Les conduits Z-Vent sont destinés à être utilisés avec fournaies et chaudières de catégories II, III et IV et ne doivent pas être utilisés/installés avec aucune autre sorte de fournaies ou chaudières. L'utilisation du conduit Z-Vent avec une autre catégorie de fournaies ou chaudières que celles recommandées par le vendeur annulera cette garantie.

MISE EN GARDE: Des conditions imprévisibles peuvent produire de la condensation à forte tenue en acide. Votre appareil de chauffage et système de ventilation devraient être inspectés annuellement par un contracteur autorisé afin de détecter des signes possibles de détériorations, tel que corrosion ou perforations. Une condensation à forte tenue en acide peut causer des fuites de gaz nocifs et occasionner la nausée, faiblesses ou même la mort. Si des anomalies sont détectées,

cessez d'utiliser le système de chauffage immédiatement et contactez un installateur de fournaies/chaudières pour remédier à la situation.

Pour valider la garantie, l'acheteur ou l'utilisateur final est tenu de remplir la carte d'enregistrement de la garantie Z-Flex[®] et de la retourner dans les 90 jours suivant l'installation. Sur réception d'un avis écrit signalant une défektivité, Z-Flex[®] se réserve le droit d'examiner le conduit ou d'établir preuve raisonnable de la défektivité soit du matériel ou de fabrication pour en justifier le remplacement.

Sauf pour la garantie stipulée dans les présentes, le vendeur n'offre aucune autre garantie en ce qui a trait aux conduits Z-Vent, leur installation ou remplacement. Le vendeur ne sera pas tenu responsable pour dommages spéciaux, secondaires, fortuits ou conséquents.

Certaines provinces (ou états) ne permettent pas l'exclusion ou la limitation de dommages fortuits ou conséquents. Pour cette raison, les dites limitations pourraient ne pas s'appliquer dans votre cas.

LES GARANTIES IMPLICITES, Y COMPRIS TOUTE GARANTIE QUANT À LA VALEUR MARCHANDE OU UTILISATION À UNE FIN PARTICULIÈRE, IMPOSÉES PAR LA LOI, S'APPLIQUENT QU'À LA PÉRIODE DE CETTE GARANTIE. ÉTANT DONNÉ QUE CERTAINES PROVINCES (OU ÉTATS) NE PERMETTENT PAS DE LIMITATIONS QUANT À LA DURÉE D'UNE GARANTIE IMPLICITE, LA DITE LIMITATION POURRAIT NE PAS S'APPLIQUER DANS VOTRE CAS.

Les réclamations faites en vertu de la présente garantie doivent être présentées par écrit et envoyées à l'adresse suivante : Réclamations de garantie, Z-Flex, Inc. 452 Attwell Drive, Etobicoke, Ontario M9W 5C3, (416) 679-0045. Cette garantie vous donne des droits légaux spécifiques et vous pouvez avoir d'autres droits selon les lois de votre province.

Carte d'Enregistrement de la Garantie: Z-FLEX[®]

Pour valider la garantie, l'acheteur ou l'utilisateur final est tenu de remplir la carte d'enregistrement de la garantie Z-Flex[®] et de la retourner dans les 90 jours suivant l'installation du conduit Z-Vent.

Nom de l'utilisateur finale: _____

Adresse où le conduit Z-Vent a été installé : _____

Point d'achat : _____

Date de l'installation: _____

Type de système de chauffage où le système a été installé : _____

Je comprends et accepte les conditions de cette garantie tel que d'écrites ci-dessus:

Signature

Date