

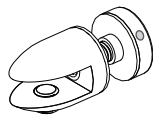
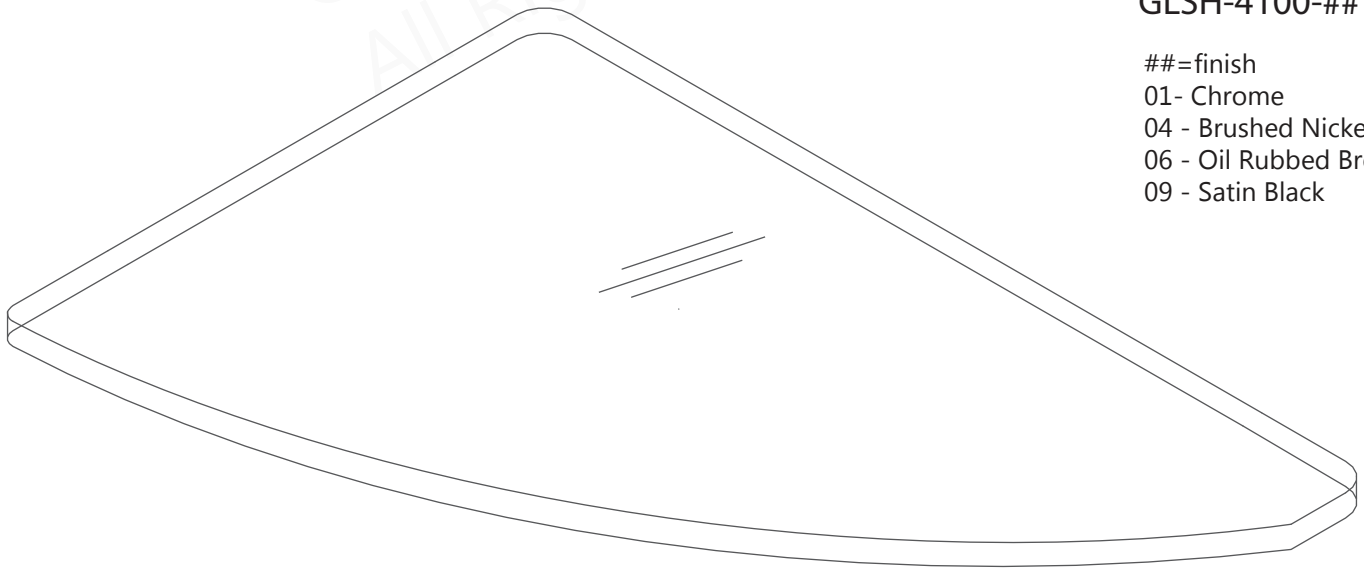
# GLASS CORNER SHELF

## INSTALLATION INSTRUCTIONS

PLEASE REVIEW THIS ENTIRE MANUAL PRIOR TO INSTALLATION

GLSH-4100-##

##=finish  
01 - Chrome  
04 - Brushed Nickel  
06 - Oil Rubbed Bronze  
09 - Satin Black



includes  
hardware for  
glass installation



includes  
hardware for  
wall installation

### IMPORTANT!

DreamLine<sup>®</sup> reserves the right to alter, modify or redesign products at any time without prior notice for the purpose of product improvement and customer experience. Please refer to the model's web page on **DreamLine.com** for the latest technical drawings, installation manuals, warranty information or additional product details.

**Do Not Return Product to the Store. Contact DreamLine<sup>®</sup> with any questions**



**Questions?**

Please Call **DreamLine** Customer Support: **1-866-731-2244**  
Hours of Operation M-F 8AM - 6PM EST

**Support@DreamLine.com**



# Table of Contents

Section Title	Page #
Detailed Diagram of Glass Corner Shelf Components	2
Parts List	3
Installation Steps-Option 1 (Connecting to 2 Walls)	4
Installation Steps-Option 2 (Connecting to 1 Wall & 1 Glass Panel)	5
Installation Steps-Option 3 (Connecting to 2 Glass Panels)	6
Product Maintenance	7
Factory Parts Information	8



**This product should be installed by someone familiar with the construction requirements for this type of product and the care necessary for the safe installation and operation of the product.**



**Do not exceed maximum shelf load = 5 lbs.**



**For installation onto panel glass, the shelf brackets require 1/2" diameter hole(s)**



**NOTE: When installing the corner shelf onto panel glass: DO NOT attempt to drill holes into tempered glass. Holes must be drilled into the glass BEFORE it is tempered.**



**The Glass Corner Shelf is designed for use 5/16" or 3/8" panel glass**

## Symbol Legend



**TIP** - for ease of installation.



**CORRECT** - recommended.



**NOTE** - take note of special feature; additional information.

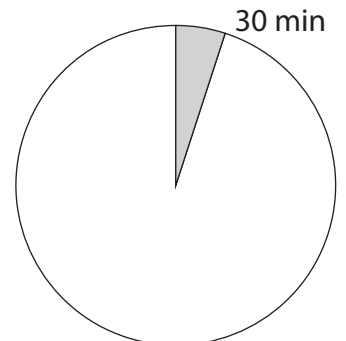


**INCORRECT** - not recommended.

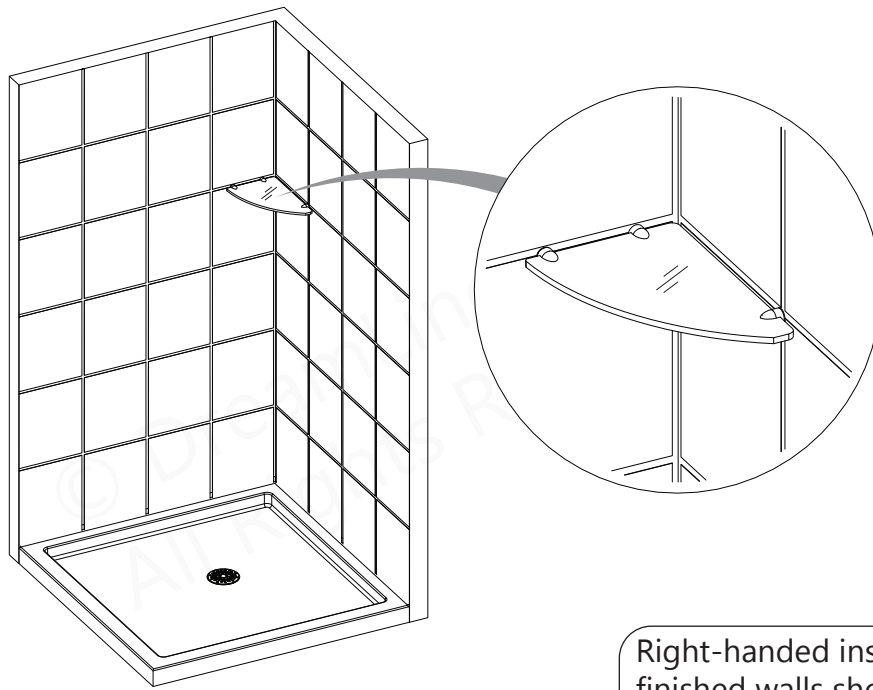


**REQUIRED** - requires special attention; signifies a warning.

Average Installation Time



## Model Specific Preparation



Right-handed installation on two finished walls shown as example

### NOTE

The Glass Corner Shelf can be installed against:

- two finished walls
- one finished wall and one glass panel
- two glass panels

The Glass Corner Shelf is reversible for right or left-hand installation.

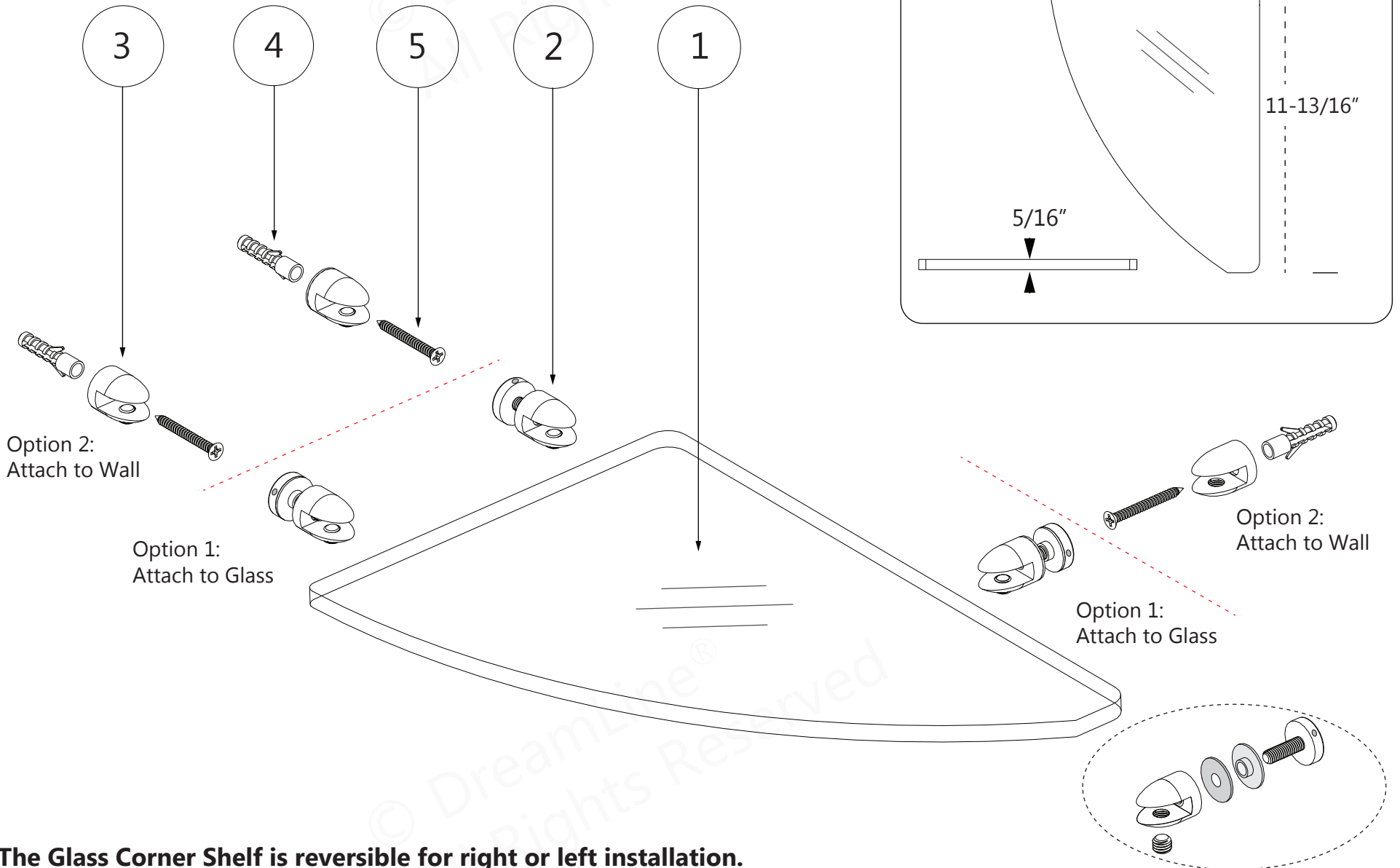
The Glass Corner Shelf is **NOT** intended to be installed on tub or shower surrounds or backwalls. Drilling holes through acrylic wall panels may cause leaks.

If attaching the Glass Corner Shelf to finished walls, be sure there are no obstructions in the way, such as plumbing behind the wall, built-in soap dishes, tile inlays or other specialty tiles. Check for loose or uneven tiles or other uneven surfaces that may interfere with installation.

When installing the Glass Corner Shelf to a finished wall, brackets can be installed into a stud behind the wall. Otherwise, use wall anchors if there is no stud present.

The Glass Corner Shelf is made of tempered glass. Do not install the shelf if the glass has chipped or slivered edges or is otherwise damaged and/or has been dropped or banged into a hard surface such as tile, marble or glass.

# Detailed Diagram of Glass Corner Shelf Components

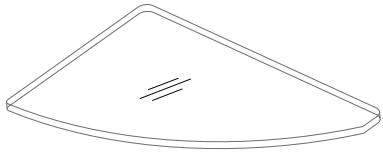


**The Glass Corner Shelf is reversible for right or left installation. Right-hand installation shown as an example throughout this manual.**

**Exploded View of Glass-to-glass bracket**

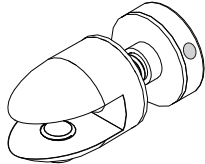
# Parts List

01



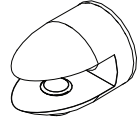
Glass Corner Shelf **x1**

02



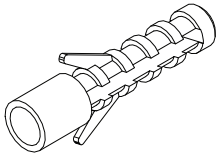
Shelf Bracket (Glass Mount) **x3**

03



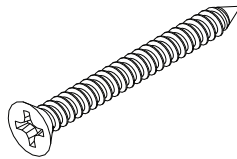
Shelf Bracket (Wall Mount) **x3**

04



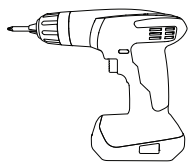
Wall Anchor 8mm (5/16") **x3**

05

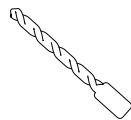


ST4.2 x 40mm Countersunk Screw **x3**

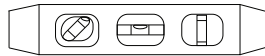
# Tools



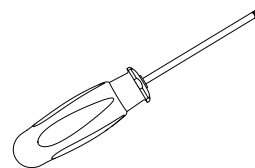
Power Drill



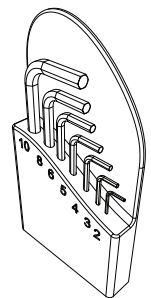
Drill Bit Ø5/16" (8mm)



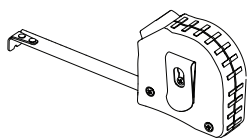
Torpedo Level



Phillips Screwdriver



Allen Wrenches



Tape Measure



Pencil

**1**

## Installation Steps - Option 1 (Connecting to 2 walls)

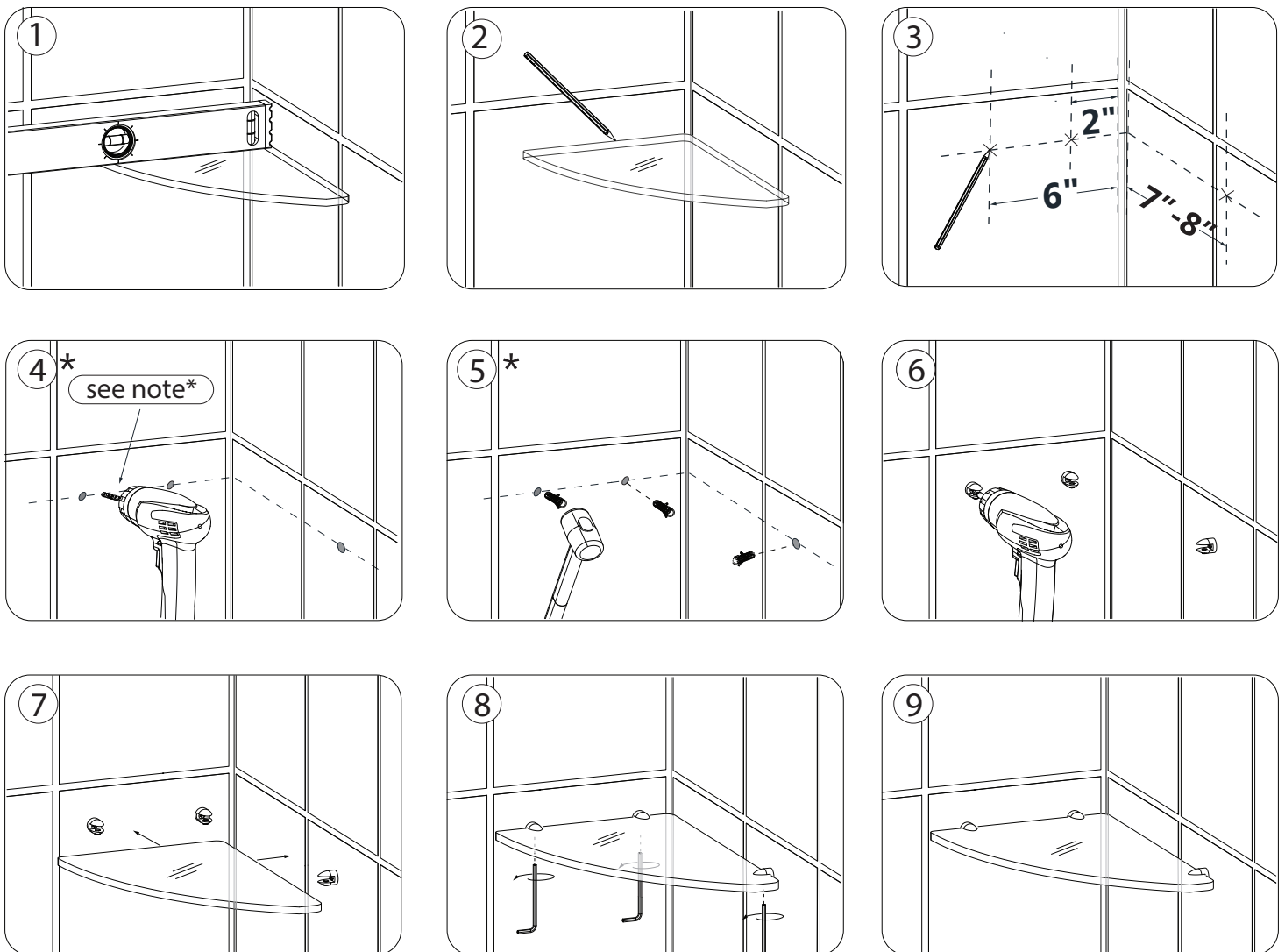
Place the **Glass Corner Shelf (#01)** against both walls and level the glass using a Torpedo Level **Fig 1.1**. Mark the position of the glass shelf on both walls. **Fig 1.2**. Mark the drilling holes for the **Shelf Brackets (wall mount) (#03)** according to the measurements in **Fig 1.3**.

### NOTE

- If a stud is present behind the wall, drill a  $\varnothing 3/16''$  hole up to the stud, drill an  $\varnothing 1/8''$  pilot hole into the stud
- If no stud is present in the wall, drill a  $\varnothing 5/16''$  hole and insert a **Wall Anchor (#04)**

Attach the **Shelf Brackets (Wall Mount) (#03)** to the walls using the **Countersunk Screw ST 4.2 x 40 (#05)** **Fig 1.6**.

Insert the **Glass Shelf** into the **Shelf Brackets** and tighten the set screws on the bottom of the brackets with an Allen wrench **Fig 1.7 and 1.8**



**Fig 1**

2

## Installation Steps - Option 2 (Connecting to 1 wall & 1 Glass Panel)

Place the **Glass Corner Shelf (#01)** against the wall and in line with the hole in the Glass Panel. Level the glass using a Torpedo Level. Mark the position of the shelf on the wall. Mark the drilling holes for the **Shelf Brackets (wall mount) (#03)** according to the measurements in **Fig. 2.3**.

### NOTE

- If a stud is present behind the wall, drill a  $\text{Ø}3/16''$  hole up to the stud, drill an  $\text{Ø}1/8''$  pilot hole into the stud
- If no stud is present in the wall, drill a  $\text{Ø}5/16''$  hole and insert a **Wall Anchor (#04)**

Attach the **Shelf Brackets (Wall Mount) (#03)** to the walls using the **Countersunk Screw ST 4.2 x 40 (#05)** **Fig 2.6**. Attach one **Shelf Bracket (Glass Mount) (#02)** through the hole in the Glass Panel. Place a small Allen wrench in the dimple on the outer knob to help with tightening (**Figs 2.5 and 2.6**)

Insert the **Glass Shelf** into all three **Shelf Brackets** and tighten the set screws on the bottom of the brackets with an Allen wrench (**Figs 2.7 and 2.8**).

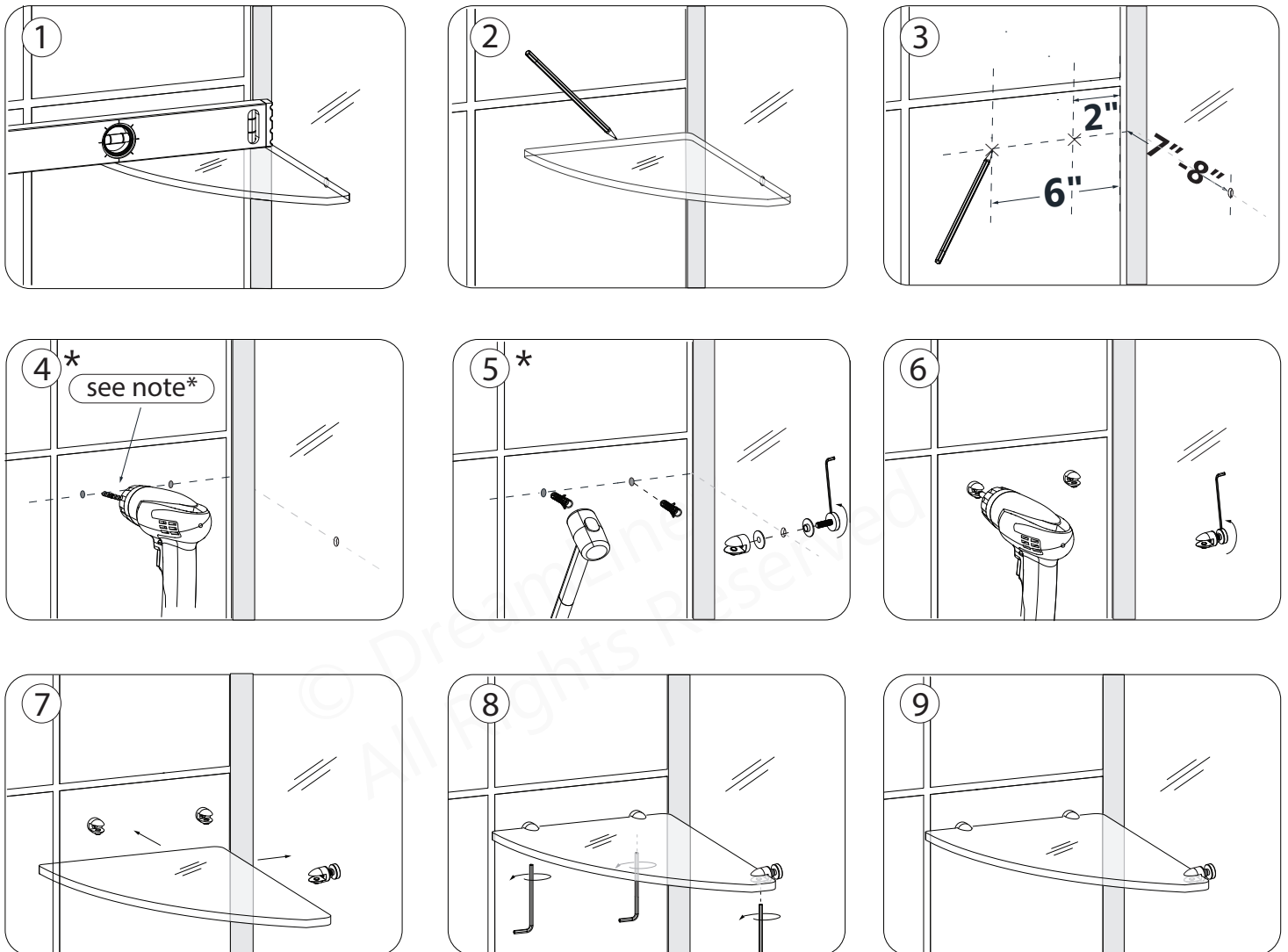


Fig 2

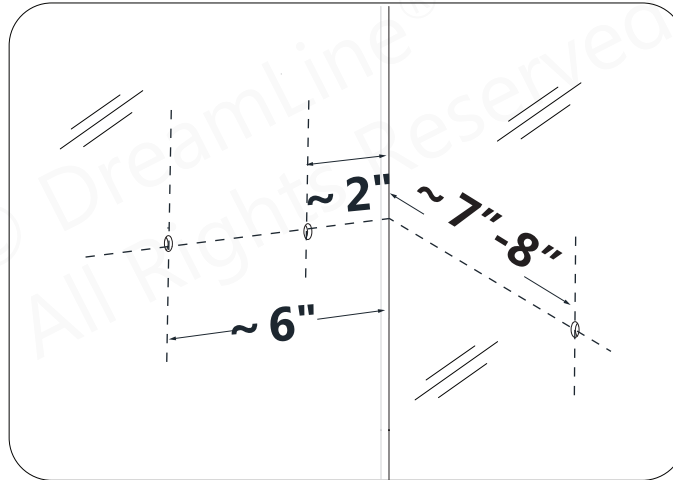


**NOTE: DO NOT attempt to drill holes into tempered glass.**

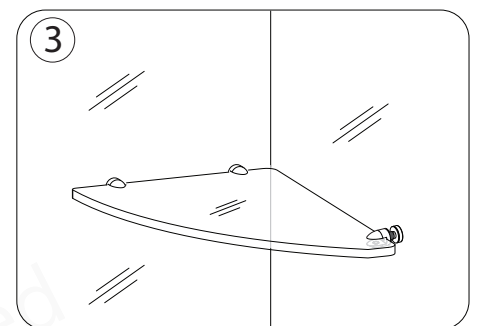
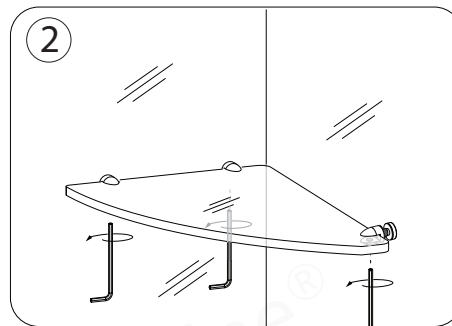
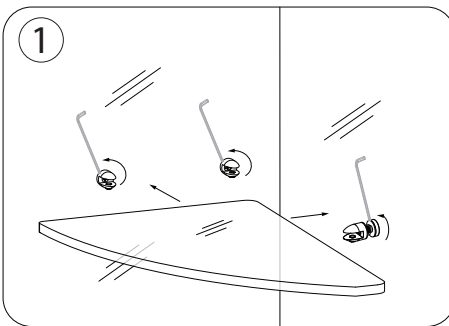
**3**

## Installation Steps - Option 3 (Connecting to 2 Glass Panels)

Attach the **Shelf Brackets (Glass Mount) (#02)** to the Glass Panels. Place a small Allen wrench in the dimples on the outer knobs to help tighten them. **Fig 3.1**. Insert the **Glass Shelf** into the **Shelf Brackets**. Tighten the set screws on the bottom of the brackets with an Allen wrench. **Fig 3.2**.



(Approximate hole locations needed for installation on two Glass Panels)



**Fig 3**



**NOTE: DO NOT attempt to drill holes into tempered glass.**

### Glass Corner Shelf Maintenance Checklist

- Check shelf bracket set screws (bottom of the brackets) periodically to ensure they are tight
- Use an Allen wrench to check tightness of the outer knobs (Glass mount brackets only)
- Make sure all gaskets are in place to prevent glass to metal contact
- Do not use if shelf glass is chipped or cracked. Replace immediately.
- Wipe shelf periodically to prevent soap scum buildup and etching from hard water



## Product Maintenance

**GLASS:** To ensure long-lasting life for your glass shower products: wipe them off after each use with a soft cloth. Rinse and wipe off the glass using either a soft cloth or a squeegee to prevent soap buildup and water spots (Hard water can etch the surface of the glass over time if left to dry). To prevent scratching the surface: never use abrasive cleaners or cleaning products that contain scouring agents. Never use bristle brushes or abrasive sponges that may scratch the surface of the glass.

**HARDWARE:** To ensure a long lasting finish: wipe off all metal parts after each use with a soft cloth. Do not use abrasive cleaners or cleaning products containing ammonia, bleach or acid. If accidentally used, rinse the surface as soon as possible to prevent damage to the finish (peeling or corrosion). After cleaning the polished finishes, rinse thoroughly and wipe dry with a soft clean cloth. Never use an abrasive sponge or cloth, steel wool or wired brush as these may permanently scratch the surfaces.

## Factory Parts Information

Glass Corner Shelf GLSH-4100-##		FACTORY PARTS INFORMATION	
ITEM #	FACTORY PART NUMBER	ITEM DESCRIPTION	QTY
01	010131007	Glass Corner Shelf	1
02	0701 <b>1</b> 030 0701 <b>4</b> 030 0701 <b>6</b> 030 0701 <b>9</b> 030	Shelf Bracket (glass mount)	3
03	0701 <b>1</b> 029 0701 <b>4</b> 029 0701 <b>6</b> 029 0701 <b>9</b> 029	Shelf Bracket (wall mount)	3
04	07552148	Wall Anchor 8mm (5/16in)	3
05	092108	ST4.2 x 40mm Countersunk Screw	3

**BOLD digit** indicates finish:

1 = Chrome

4 = Brushed Nickel

6 = ORB

9 = Satin Black

Contact [Support@DreamLine.com](mailto:Support@DreamLine.com) for part replacement, installation assistance or additional information.

Complete **Warranty** information is available at [DreamLine.com](http://DreamLine.com).



---

---

TEL: 866-731-2244  
FAX: 866-857-3638  
DREAMLINE.COM



For more information on DreamLine® Shower Doors and Enclosures please visit **DreamLine.com**