

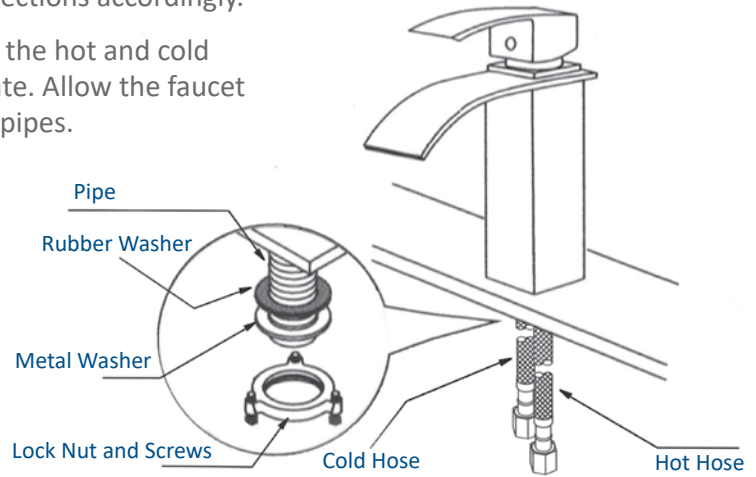
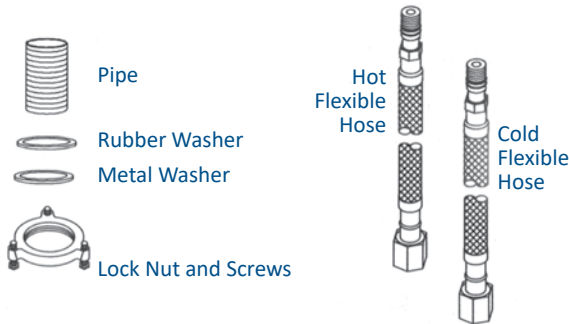
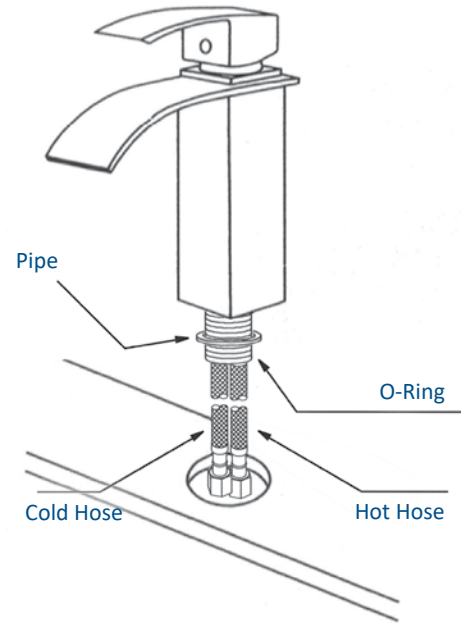
# TYPE ONE ASSEMBLY

## Steps to Complete Your Faucet Install

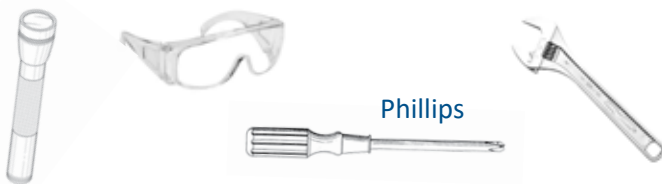
Applicable for the following faucet series:

GF-136      BM-008      BM-359  
 GF-365      BM-012  
 GF-368      BM-116

- **Turn the handles** on both the hot and cold water supply lines off so the water will not be running through the pipes. These water supply lines will be located under the sink in the cabinet.
- **Screw the pipe** on to the faucet and make sure the O-ring is on the faucet base. Fasten the hot and cold flexible hoses into the water supply holes on the bottom of the faucet if necessary.
- **Carefully lower** the faucet through the drilled hole.
- **Slide** the rubber washer and the 1.5-inch metal washer onto the pipe and tighten the fastener.
- **Attach the flexible hose** to the supply line source. The flexible hose on the right should be attached to the cold water supply line. The flexible hose on the left should attach to the hot water supply line. Tighten these connections accordingly.
- **With the faucet's** lever wide open, slowly turn the handles on the hot and cold water supply lines to the open position to your desired flow rate. Allow the faucet to run for a couple minutes to get rid of any air pockets in the pipes.



### TOOLS NEEDED FOR ASSEMBLY (not included)



### Please Note:

- Review and abide by all building and plumbing codes
- Standard codes for Novatto faucets: cUPC/CSA/AB1953
- Novatto faucets need to be installed by a professional
- A 1.5" faucet hole is needed for installation
- Max counter thickness 2"

Questions, problems, missing parts? Before returning to your retailer, call our customer service department at 844.404.4242, 8:00 a.m. - 5 p.m., MT, Monday - Friday or email us at: [support@novattoinc.com](mailto:support@novattoinc.com)

## TROUBLESHOOTING TIPS

Issue	Reason	Solution
Leakage under the handle	Lock nut has come loose; Ceramic cartridge may be defective	Tighten locking nut; Remove cartridge, check for cracks
Leaking from under the body	Cracked casing inside; Supply lines may be loose	New faucet needed; Tighten supply lines
Finish is changing color or is shiny	Abrasive cleaners, soaps or other factors constantly in contact with it.	Stop using abrasives; Replace parts
Water will not shut off completely	Cartridge may be defective	Remove ceramic cartridge, check for cracks