

## Features

- Fits minimum 36-inch apron sink base cabinet.
- Large/medium bowls.
- 9" depth provides generous workspace.
- No faucet holes.
- Smart Divide® features a lower bowl divider that increases workspace and versatility.
- Self-Trimming apron overlaps the cabinet face for easy installation.
- Rear drain increases workspace in the sink and storage space underneath.
- SilentShield® sound-absorption technology offers quieter performance.
- Includes installation hardware and cutout templates.
- Includes bottom sink rack.
- Rounded 10mm corners are easy to clean.

## Material

- Handcrafted from 16-gauge stainless steel.
- Premium 16-gauge stainless steel.

## Installation

- Under-mount apron-front.

## Recommended Products/Accessories

K-6477 Sink Rack  
K-8801 Sink Strainer  
K-8799 Sink Strainer  
K-23726 Drain treatment  
K-23729 Stainless steel cleaner

## Optional Products/Accessories

K-11352 Disposal Flange with Stopper

## Included Components

Product consists of:

K-6476

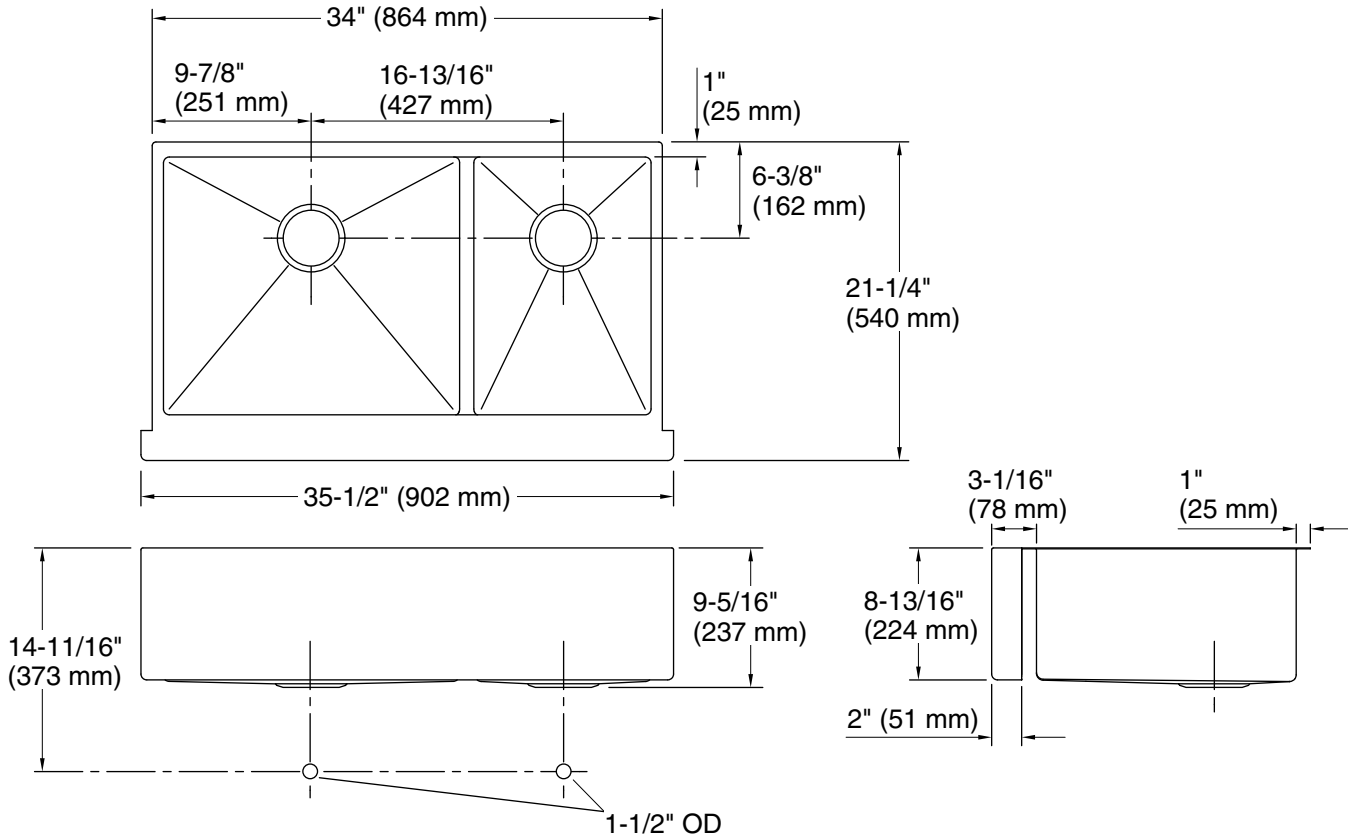


## Codes/Standards

ASME A112.19.3/CSA B45.4

## Lifetime Limited Warranty for KOHLER® Stainless Steel Sinks

See website for detailed warranty information.



### Technical Information

All product dimensions are nominal.

Bowl configuration:	Off-set Large/small
Installation:	Under-mount
Min. base cabinet width:	36" (914 mm)
Bowl area (Left):	Length: 19-11/16" (500 mm) Width: 17-3/16" (437 mm) Bowl depth: 9" (229 mm) Water depth: 9" (229 mm)
Bowl area (Right):	Length: 11-11/16" (297 mm) Width: 17-3/16" (437 mm) Bowl depth: 9" (229 mm) Water depth: 9" (229 mm)
Drain hole:	3-3/4" (94 mm)
Template:	1224194-7, required, included

### Notes

Install this product according to the installation instructions.

The 3/4" (19 mm) side rim flanges are supported without using the clip attachment. See the installation guide for further instructions.