

Features

- 21-inch minimum base cabinet width.
- Single bowl.
- 6" Basin depth.
- Small size fits compact spaces.

Material

- Handcrafted from 14-gauge stainless steel.

Installation

- Top-mount.

Recommended Products/Accessories

K-8801 Sink Strainer

K-8799 Sink Strainer

K-23726 Drain treatment

K-23729 Stainless steel cleaner

Optional Products/Accessories

K-11352 Disposal Flange with Stopper



ADA

Codes/Standards

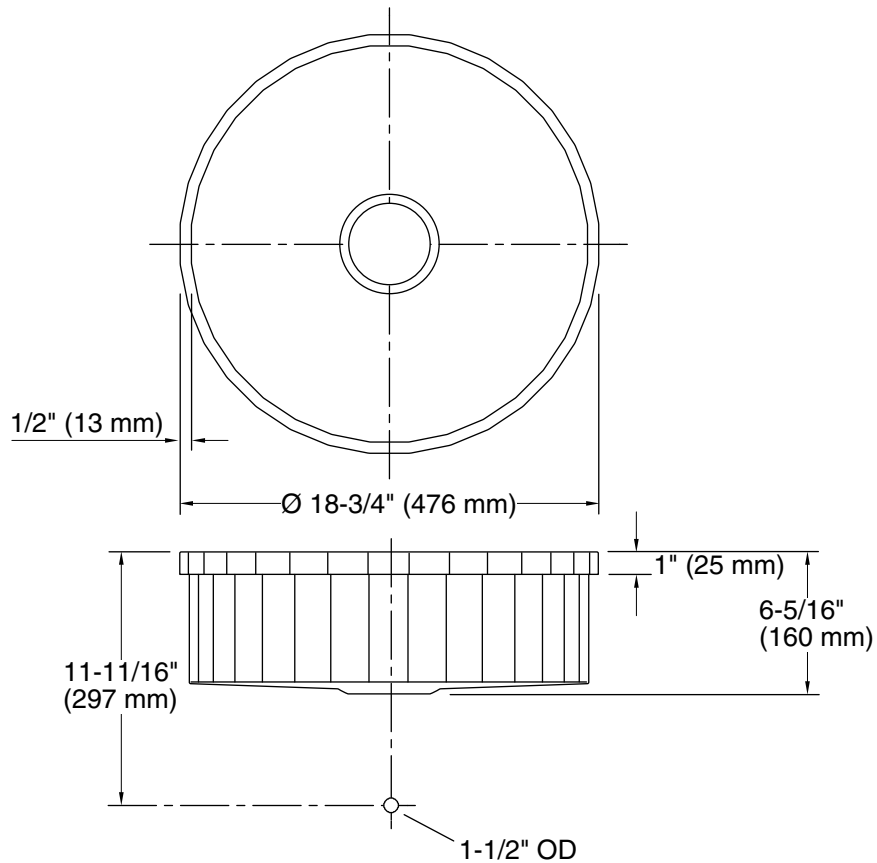
ASME A112.19.3/CSA B45.4

ADA

ICC/ANSI A117.1

Lifetime Limited Warranty for KOHLER® Stainless Steel Sinks

See website for detailed warranty information.



Technical Information

All product dimensions are nominal.

Bowl configuration:	Single
Installation:	Top-mount
Min. base cabinet width:	21" (533 mm)
Bowl area (Only):	Diameter: 17-3/4" (451 mm) Bowl depth: 6" (152 mm)
Drain hole:	3-5/8" (92 mm)
Template:	1220554-7, required, included

Notes

Install this product according to the installation instructions.

ADA compliant when installed to the specific requirements of these regulations.

ADA permits a parallel approach to wet bars.