



# 8 Degree™ Under-Mount Kitchen Sink K-3673

## Features

- 36-inch minimum base cabinet width.
- Large single bowl.
- 9-3/4-inch depth provides generous workspace.
- No faucet holes.
- Offset drain increases workspace in the sink and storage space underneath.
- Includes installation hardware, wineglass rack, and bottom sink rack.
- SilentShield® sound-absorption technology offers quieter performance.

## Material

- Handcrafted from 16-gauge stainless steel.
- Premium 16-gauge stainless steel.

## Installation

- Under-mount.

## Recommended Products/Accessories

- K-6137 Sink Rack
- K-8801 Sink Strainer
- K-8799 Sink Strainer
- K-23726 Drain treatment
- K-23729 Stainless steel cleaner

## Optional Products/Accessories

- K-3140 Cutting Board
- K-11352 Disposal Flange with Stopper

## Included Components

Additional Components:

- Hardware kit(s)
- Wine glass rack
- bottom bowl rack

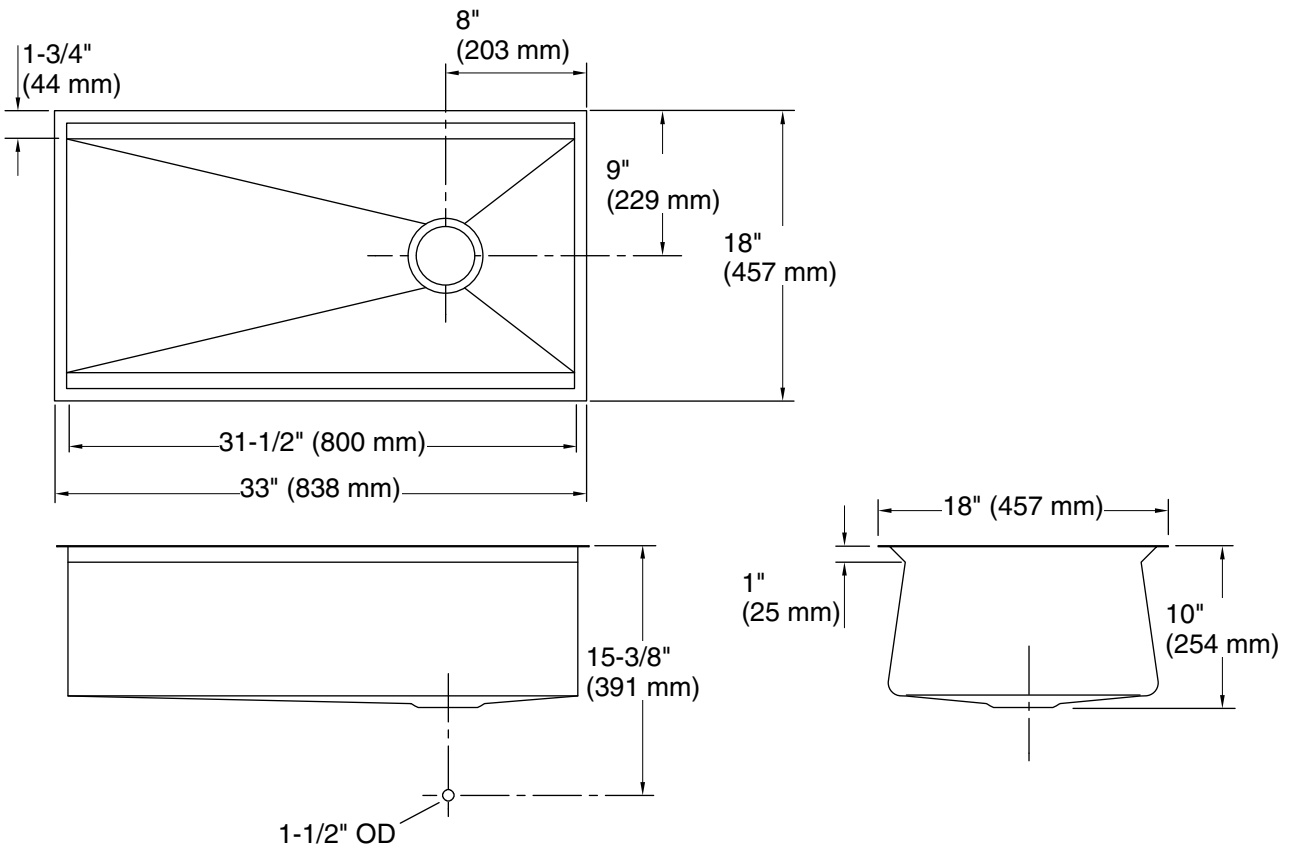


## Codes/Standards

ASME A112.19.3/CSA B45.4

## Lifetime Limited Warranty for KOHLER® Stainless Steel Sinks

See website for detailed warranty information.



### Technical Information

All product dimensions are nominal.

Bowl configuration:	Single
Installation:	Under-mount
Min. base cabinet width:	36" (914 mm)
Bowl area (Only):	Length: 31-1/2" (800 mm) Width: 16-1/2" (419 mm) Bowl depth: 9-3/4" (248 mm) Water depth: 9-3/4" (248 mm)
Drain hole:	3-5/8" (92 mm)
Template:	1093327-7, required, included

### Notes

Install this product according to the installation instructions.