



Undertone® Lyric™

top-/under-mount bar sink
K-3341

Features

- 24-inch minimum base cabinet width.
- Single bowl.
- 7-1/2-inch depth.
- No faucet holes.
- SilentShield® sound-absorption technology offers quieter performance.
- Includes installation hardware.

Material

- Premium 18-gauge stainless steel.

Installation

- Under-mount.

Recommended Products/Accessories

- K-8801 Sink Strainer
- K-8799 Sink Strainer
- K-23726 Drain treatment
- K-23729 Stainless steel cleaner

Optional Products/Accessories

- K-6518 Rinse Basket
- K-8813 Manual Sink Strainer with Tailpiece
- K-11352 Disposal Flange with Stopper

Included Components

Product consists of:

- 52047 Clamp Accessory Pack, 4 Ea.



ADA

Codes/Standards

ASME A112.19.3/CSA B45.4
ADA
ICC/ANSI A117.1

Lifetime Limited Warranty for KOHLER® Stainless Steel Sinks

See website for detailed warranty information.

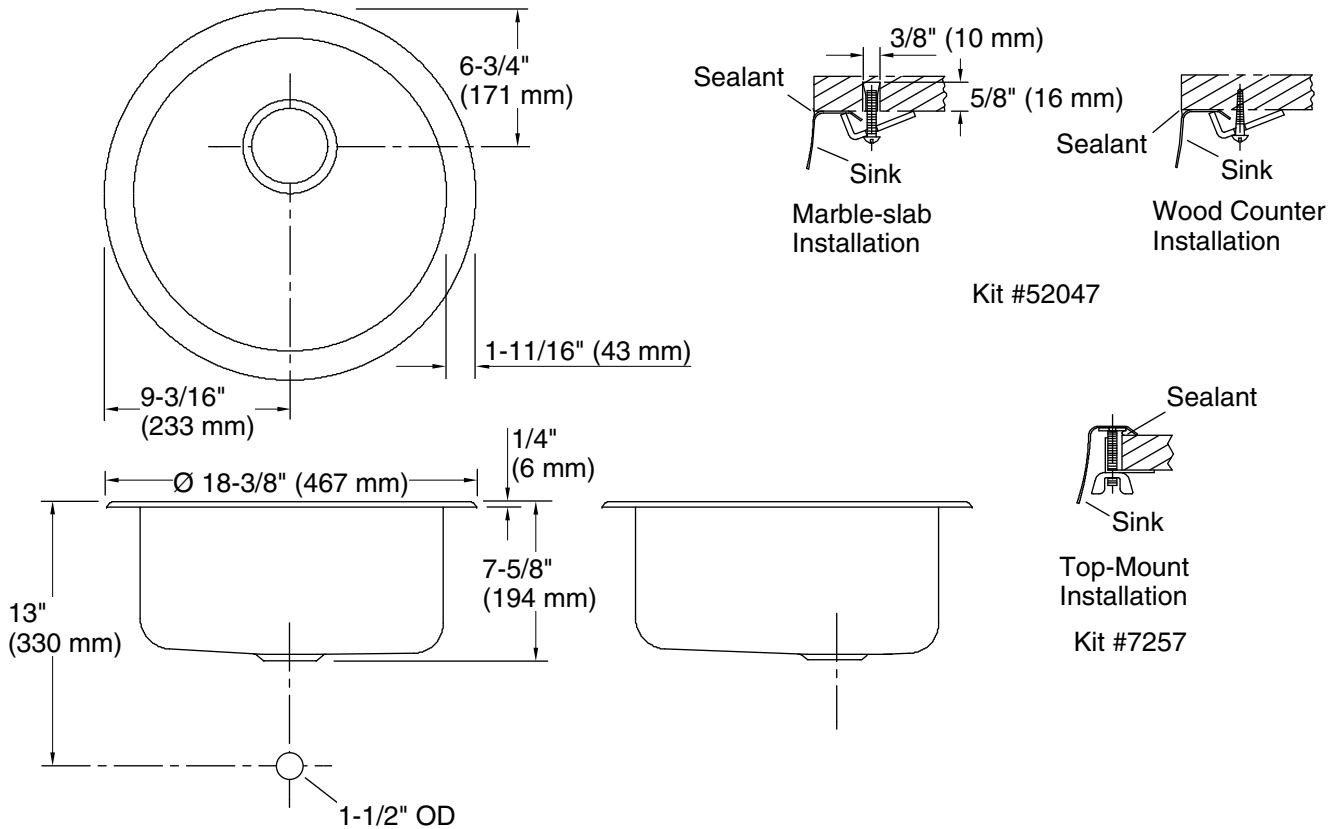
1-800-4KOHLEr (1-800-456-4537)

Kohler Co. reserves the right to make revisions without notice to product specifications.

For the most current Specification Sheet, go to www.kohler.com.

3-2-2020 07:57 - US/CA

THE BOLD LOOK
OF **KOHLER**®



Technical Information

All product dimensions are nominal.

Bowl configuration:	Single
Installation:	Under-mount
Min. base cabinet width:	24" (610 mm)
Bowl area (Only):	Diameter: 15" (381 mm) Bowl depth: 7-1/2" (191 mm)
Drain hole:	3-5/8" (92 mm)
Template:	113392-7, required, included

Notes

Install this product according to the installation instructions.

Supplied bowl clamp assemblies require 1" (25 mm) minimum countertop thickness. Installer must supply hardware for thinner countertops.

For multiple bowl under-mount installations, a minimum distance of 3-1/2" (89 mm) is required between bowls.

Countertop supplier to determine required support.

Waterproof unprotected overhang area of the underside of wood counter.

ADA compliant when installed to the specific requirements of these regulations.

ADA permits a parallel approach to wet bars.