



# Iron Plains® Oval Wading Pool®

Bathroom Sink

K-5403-P5

## Features

- Oval basin.
- No faucet holes; requires wall- or counter-mount faucet.
- Overflow drain.
- Iron Black painted underside.

## Material

- KOHLER® enameled cast iron.

## Installation

- Vessel.



ADA

CSA B651

## Codes/Standards

ASME A112.19.1/CSA B45.2

ADA

ICC/ANSI A117.1








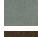


CSA B651

## Lifetime Limited Warranty for KOHLER® Cast Iron Components

See website for detailed warranty information.

## Available Colors/Finishes

*Color tiles intended for reference only.*

| Color  | Code | Description  |
|--|------|--------------|
|  | 0    | White        |
|  | FF   | Sea Salt™    |
|  | 96   | Biscuit      |
|  | FD   | Cane Sugar™  |
|  | NY   | Dune         |
|  | G9   | Sandbar      |
|  | K4   | Cashmere     |
|  | FT   | Basalt       |
|  | KA   | Black 'n Tan |
|  | 7    | Black Black™ |

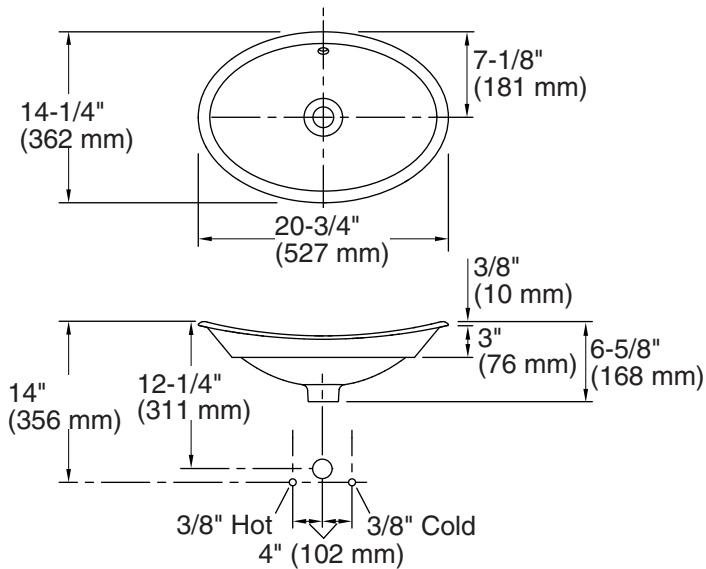
1-800-4KOHLE (1-800-456-4537)

Kohler Co. reserves the right to make revisions without notice to product specifications.

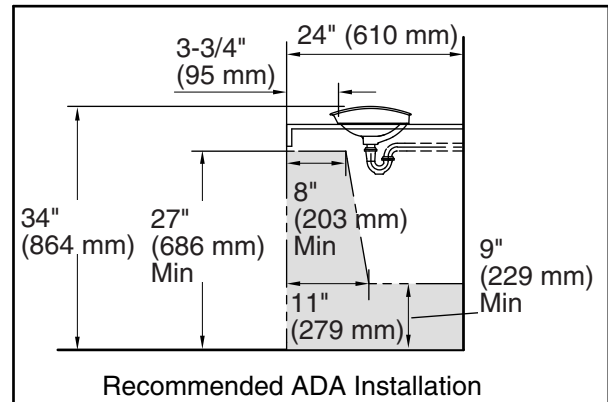
For the most current Specification Sheet, go to [www.kohler.com](http://www.kohler.com).

2-7-2020 06:43 - US/CA/MX

THE BOLD LOOK  
OF **KOHLER**®



Standard Installation



Recommended ADA Installation

### Technical Information

All product dimensions are nominal.

|                     |                               |
|---------------------|-------------------------------|
| Bowl configuration: | Single                        |
| Installation:       | Vessel                        |
| Bowl area:          | Length: 19-3/4" (501 mm)      |
|                     | Width: 13-1/4" (337 mm)       |
|                     | Bowl depth: 4-15/16" (126 mm) |
|                     | With overflow: Yes            |
|                     | Water depth: 2-1/4" (58 mm)   |
| Template:           | 1222633-7, required, included |

### Notes

Install this product according to the installation instructions.

**NOTICE:** Countertop manufacturer or cutter must use the cut-out template provided with the product, or a current one provided by Kohler Co. (call 1-800-4-KOHLER). Kohler Co. is not responsible for cutout errors when the incorrect cut-out template is used.

ADA, CSA B651 compliant when installed to the specific requirements of these regulations.