



# INSTALLATION INSTRUCTIONS

To watch the installation video, please go to [surface-design.co](http://surface-design.co)



Read all instructions carefully prior to starting installation.

Always inspect the wall panels upon opening the box to identify potential defects.

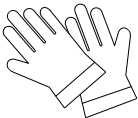

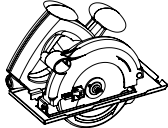
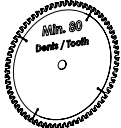
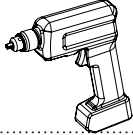

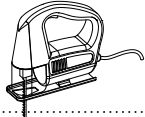

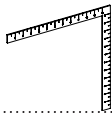
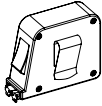
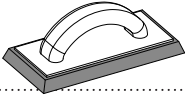
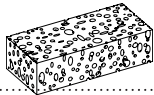
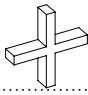
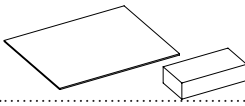
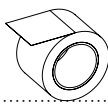
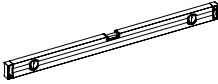
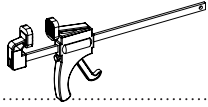



Make sure to leave the protective film (when present) on the design surface during all installation steps.

Place panels in the room where you plan to install them at least 24 hours prior, so they acclimate to temperature and humidity levels.

## 1. HANDLING & PREPARATION

- 1.1 Make sure you have sufficient workspace to easily manipulate the panels.
- 1.2 Always wear protective gloves when handling the panels.
- 1.3 Carry the panels individually and perpendicular to the floor.
- 1.4 Never set the panels on one of their corners, always on a flat edge. Make sure that the ground surface is smooth, clean and free of any debris (using a carpet or piece of cardboard is recommended to prevent damages and scratches).
- 1.5 Each panel has a slight design variation. It is recommended to lay them in the order you plan to install them prior to starting installation.

## 2. TOOLS & MATERIALS REQUIRED

				
Gloves	Safety goggles	Circular saw	Finishing circular saw blade freshly sharpened with carbide tips (minimum 80 tooth)	Drill
				
Bi-metal hole saws	Jigsaw with freshly sharpened metal blades	Straight edge	Carpenter square	Measuring tape
				
Rubber grout applicator	Sponge	1/8-inch tile spacer or shims	120-grit sandpaper and sanding block	Large masking tape (min. 2 inch)
				
48-inch level	Pressure clamps	Silicone adhesive - For installation over existing tile and sealing corners	Quick-grab, heavy-duty construction adhesive (non-solvent base) - For installation over all other surfaces	Unsanded polymer wall tile grout or color-match silicone for grout joints

### 3. PREPARING THE WALL SURFACE

- 3.1 Check the flatness of the existing surface using a 48-inch level. **(Fig. 1)**
- 3.2 It is important to level out the surface. This can be done using the appropriate filler material to ensure adhesion (joint compound, cement glue, etc...). Any large cavity more than 1/8-inch deep should be filled. **(Fig. 2)**
- 3.3 Make sure the surface is clean, dry and free of dust, grease or any other substance that could compromise the adhesion.

★ **IMPORTANT:** See section 10 for suitable surfaces for application

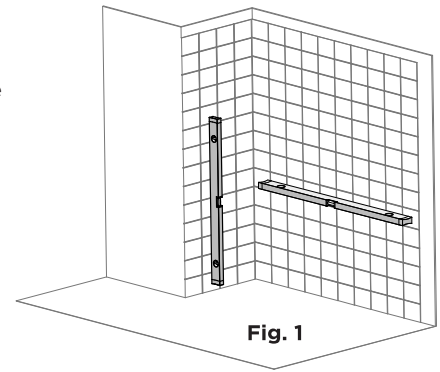
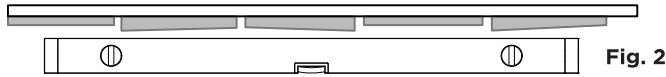


Fig. 1

Fig. 2

### 4. CUTTING THE PANELS

- 4.1 Draw plumb vertical reference lines on existing wall and 1 continuous leveled horizontal line at the bottom of the wall. **(Fig. 3)**
- 4.2 Use the reference lines to plan the position of the panels on the wall, taking out-of-plumb areas into account.
- 4.3 Lay the panels flat on the worktable with the printed side up.
- 4.4 Measure required dimensions for the panel and any cut-outs required. **(Fig. 4)**
- 4.5 Carefully measure and mark all the corresponding cut-outs on the panel. **(Fig. 5)**

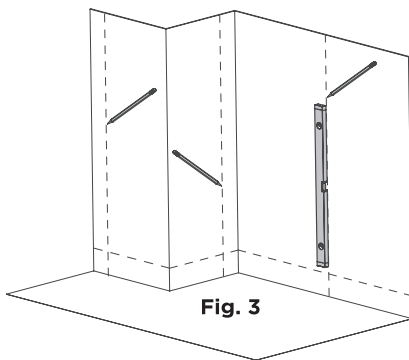


Fig. 3

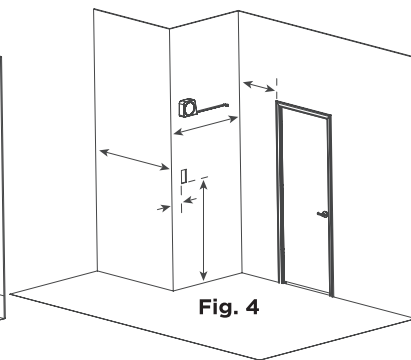


Fig. 4

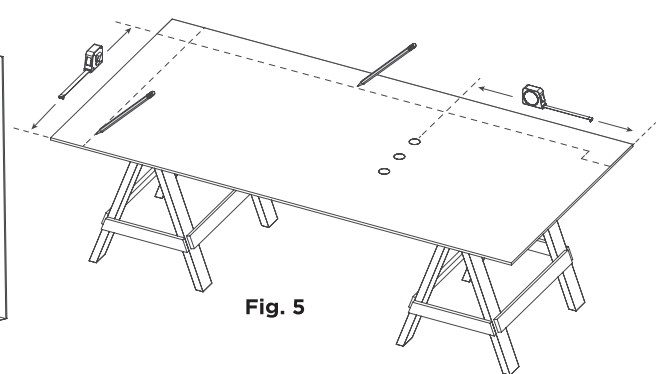


Fig. 5

- 4.6 Secure the cutting guides to the panel using pressure clamps (the use of a carpenter square is also recommended to ensure straight cuts). **(Fig. 6)**
- 4.7 Use the appropriate tool to cut the panel to the required shape. **(Fig. 7-9)**
- 4.8 Sand the edges lightly with sandpaper and sanding block to smooth out. **(Fig. 10)**

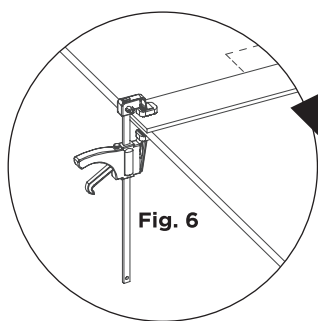


Fig. 6

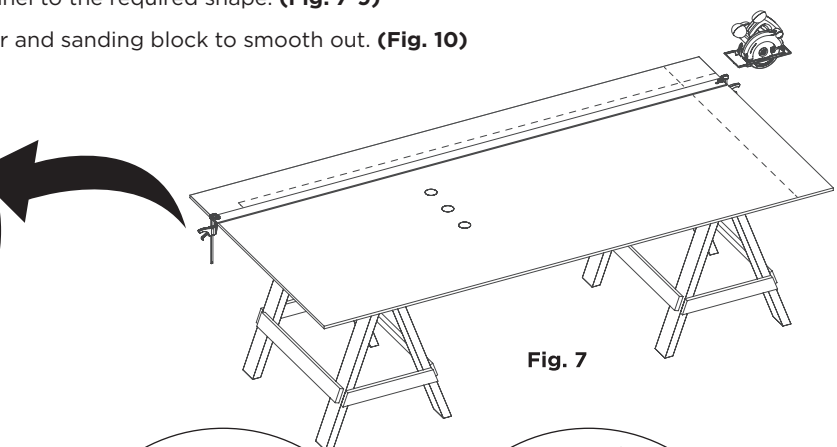


Fig. 7

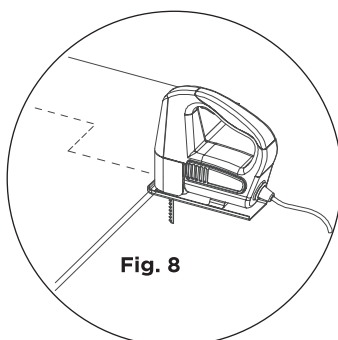


Fig. 8

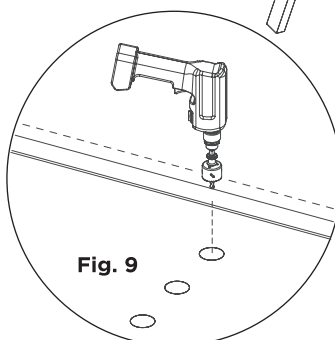


Fig. 9

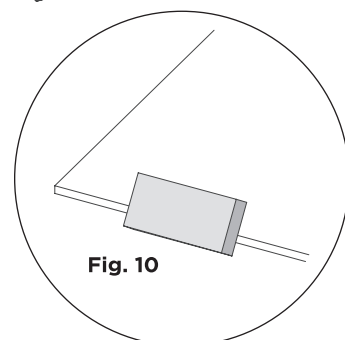
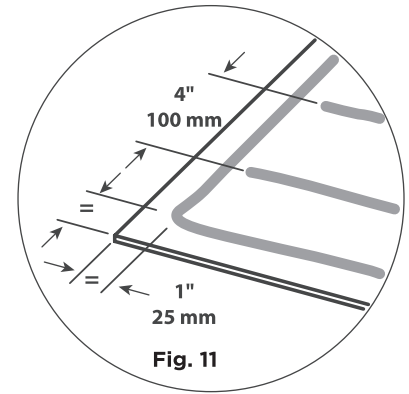
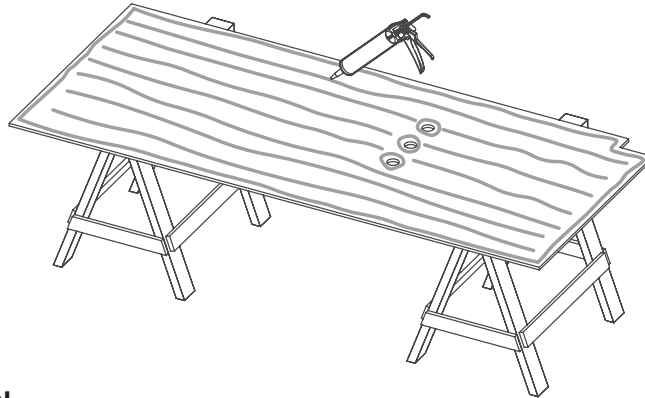


Fig. 10

## 5. APPLYING THE ADHESIVE

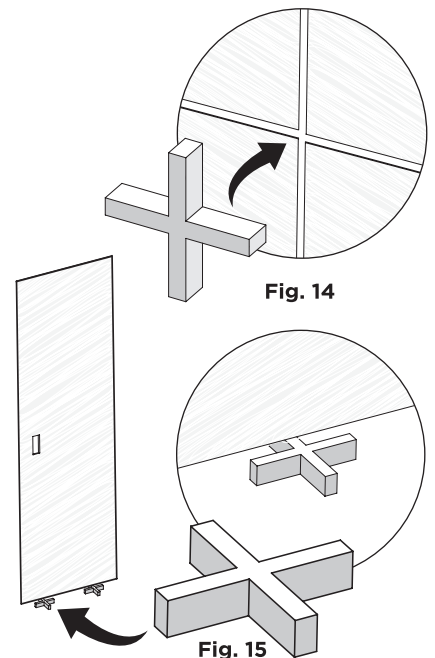
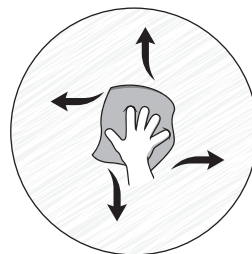
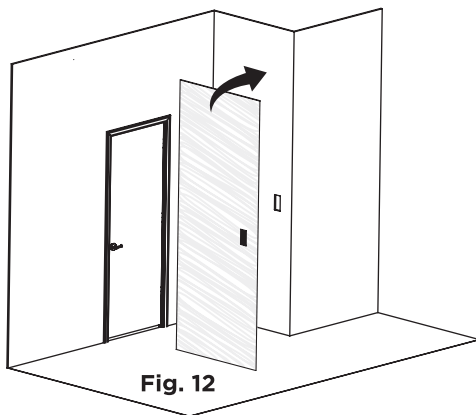
- 5.1 Place the panel on the worktable with the back side up.
- 5.2 Remove protective film from the back (if present).
- 5.3 Apply a 1/8-inch bead of the recommended adhesive 1 inch from the edges all around the back surface of the panel, then vertical beads at 4-inch intervals. (see section 2 for appropriate adhesive type). **(Fig. 11)**



## 6. INSTALLATION

- 6.1 Position the panel against the wall with the adhesive side toward the wall. Make sure the edge is aligned with your reference lines. **(Fig. 12)**
- 6.2 Once in place, use a soft cloth to push the panel tightly against the wall on its entire surface to remove any air bubbles. **(Fig. 13)**
- 6.3 Use 1/8-inch tile spacers between each panel. **(Fig. 14-15)**

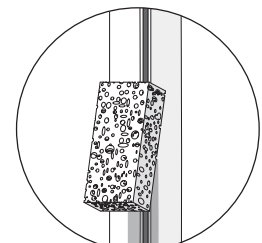
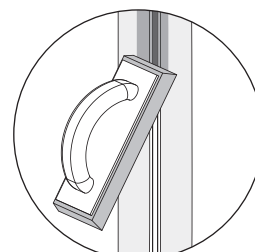
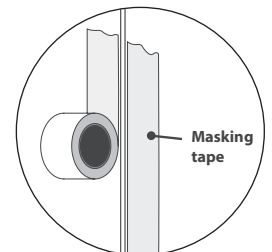
★ **IMPORTANT:** Refer to the adhesive manufacturer's instructions for allowable time for positioning and curing time.



## 7. GROUTING THE SEAMS

- 7.1 Once all the panels have been installed and the adhesive has cured (refer to adhesive manufacturer's instructions), peel 1 inch of the protective film from the edges.
- 7.2 Apply 2 inches of masking tape on each side of the joints, as close as possible from the seams without blocking the cavity. For additional scratch protection, apply a second row of tape. **(Fig. 16)**
- 7.3 Carefully read the grout manufacturer's instructions.
- 7.4 Apply the grout using the 4-inch side of the rubber applicator to completely fill in the seam cavity, making sure to stay on the masking tape to keep from scratching the panel. **(Fig. 17)**
- 7.5 Follow the grout manufacturer's instructions for cleaning and curing time.
- 7.6 Clean excess with a damp sponge. **(Fig. 18)**

★ **IMPORTANT:** Do not exceed waiting time before cleaning



## 8. FINISHING

---

- 8.1 Peel masking tape off the panels without delay.
- 8.2 Completely remove the protective film from the surfaces.
- 8.3 In wet areas, all seams (right angle corners and joints) should be sealed with appropriate sealant.

## 9. CARE & CLEANING

---

Clean with mild soap and water. DO NOT use any abrasive or corrosive cleaning products, scrapers, brushes or any other object that could damage the surface of the product. Using these products will void the warranty.

★ **IMPORTANT:** Surface Design panels can be installed in areas exposed to water and humidity (e.g. inside showers or bathtubs), as long as installation instructions are followed.

## 10. SURFACES SUITABLE FOR APPLICATION

---

<p>SUITABLE FOR APPLICATION*:</p> <ul style="list-style-type: none"><li>• Ceramic, marble, porcelain or wall tiles</li><li>• Painted drywall</li><li>• Solid wood or plank surfaces appropriately installed on studs (painted or varnished)</li></ul> <p>* Surface Design panels can be installed on any of these surfaces as long as they are securely attached to the wall structure.</p>	<p>NOT SUITABLE FOR APPLICATION:</p> <ul style="list-style-type: none"><li>• Plaster walls with peeling paint</li><li>• Wall in rooms with constant humidity level (ex. Sauna)</li><li>• Outdoor areas</li><li>• Surfaces exposed to extreme temperature changes</li></ul>
---	--

## 11. WARRANTY

---

This product is guaranteed against any manufacturing defects from the date of purchase indicated on the consumer sales receipt. This warranty is limited to the original owner and is not transferable to another consumer. Technoform Industries Ltd. offers a limited warranty of 10 years on its Surface Design panel's structure and surface (inks and varnishes). The warranty is applicable to the product only (structure and surfaces, i.e. inks & varnishes) and does not cover labor charges, travel expenses, the cost of installation or removal, as well as carrier fees. At its discretion, the manufacturer will, at its own expense, replace or repair any defective product during the warranty period (does not include the aforementioned costs). **This warranty is valid only if the installation and care instructions have been followed.**

This warranty does not cover damage caused by abuse, neglect, misuse, impacts, improper handling, modifications made to the product, usage of abrasive or chemical products. In that event, the guarantee will be revoked without further recourse. This warranty is limited to the manufacturer's choice regarding the replacement or repair. No compensation may be claimed as a result of an accident during installation or during the use of the product. The warranty does not apply to stains caused by ferrous or hard water. The client will lose the right to any claim if the products supplied are modified, transformed, manipulated or processed in an inappropriate manner. To exercise the right to the guarantee, an annual depreciation for use and wear will be taken into consideration: 1/5 per year in commercial uses and 1/15 per year in domestic uses starting from the date of purchase.

### TECHNOFORM INDUSTRIES LTD.

1350, rue des Cascades, Châteauguay (Quebec) J6J 4Z2

Tel.: 450 699-2424 #2011 | Toll free: 1 877 377-4494 | Fax: 450 699-8484

info@technoform.ca

**technoform.ca | surface-design.co**