

Assembly Instruction Sheet #IS-5464P32DB-9 For Style 5464P32DB-9

Tools Required: Flathead screwdriver, Phillips screwdriver, pliers, wire cutters, wire strippers, electrical tape, safety glasses.

Light Source: (9) E12 Candelabra Base Bulbs 60W Maximum (Not Include).

Preparation: Identify and inspect all parts before beginning installation. Check package content list and diagrams below to be sure all parts are present. If any parts are missing or damaged, do not attempt to assemble, install, or operate the fixture. Contact customer service for replacement parts.

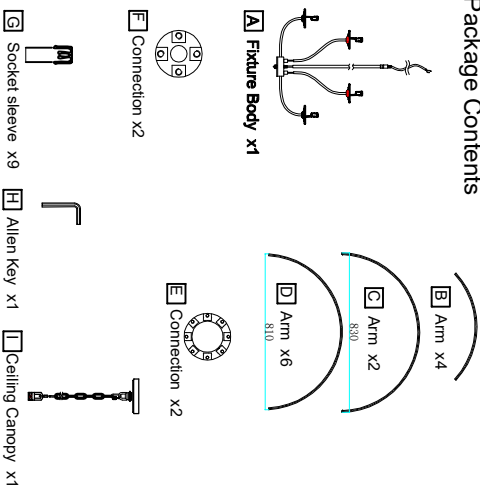
Warnings and Cautions

Turn off electricity at circuit breaker or main fuse box before installation. Consult a licensed electrician if in doubt.

These instructions are provided for your safety. It is very important you read them completely before installing the fixture.

We strongly recommend that a licensed, professional electrician perform the installation. Disconnect fixture from power source before replacing bulbs. Make sure bulbs are given sufficient time to cool before removal.

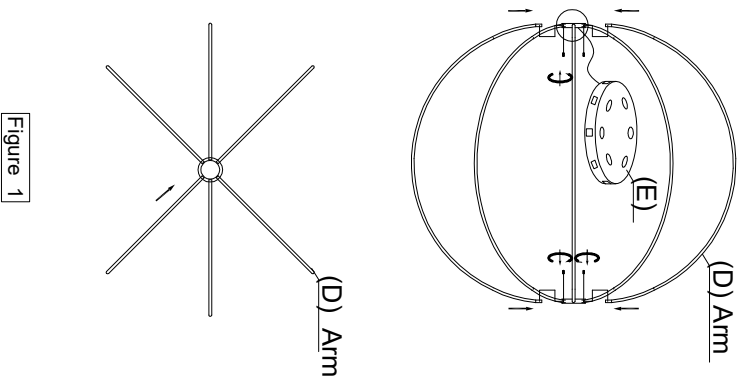
Package Contents



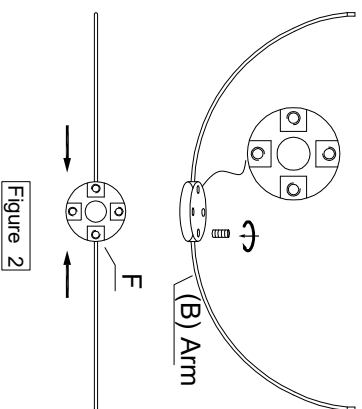
Hardware Contents

PART	DESCRIPTION	QUANTITY
BB	Wire nut	2pcs
EE	Screw	2pcs
BB		EE

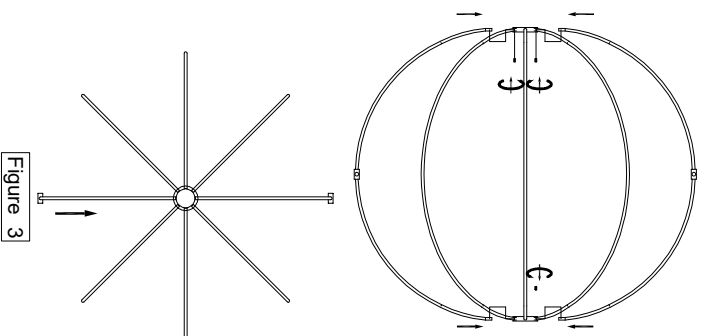
STEP 1 - Assemble the Lamp arm (D).



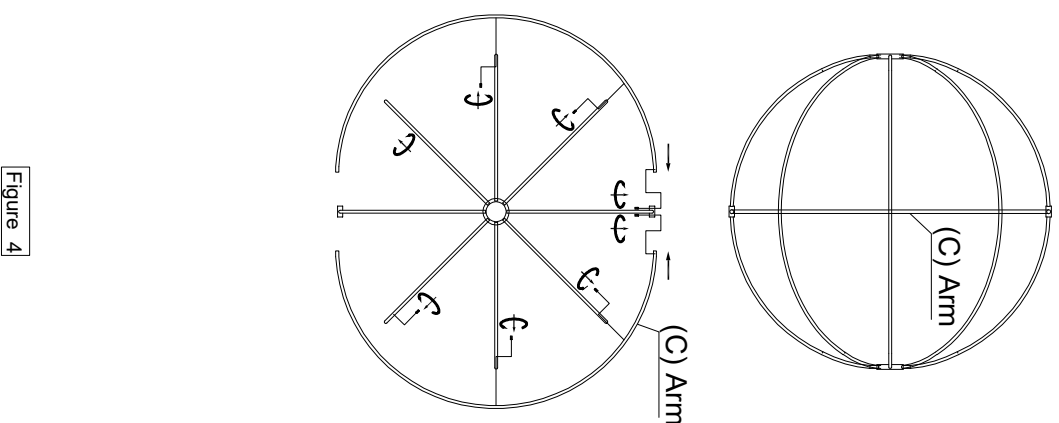
STEP 2 - Assemble the Lamp arm (B).



STEP 3 - Assemble the Lamp arm.



STEP 4 - Assemble the Lamp arm (C).



STEP 5 – Install the Canopy Chain Loop and Nipple

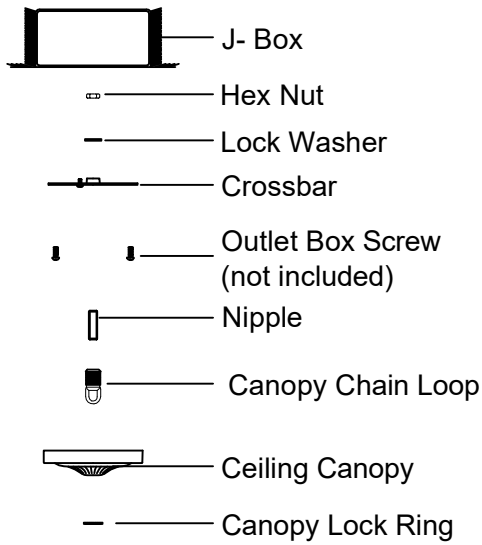


Figure 5

STEP 7 - Wire Connections

A. Use standard wire connectors (not included) to make all wire connections. Twist connectors until wires are tightly joined together. Wrap each connection with approved electrical tape and carefully stuff all the connected wires into the J- Box.

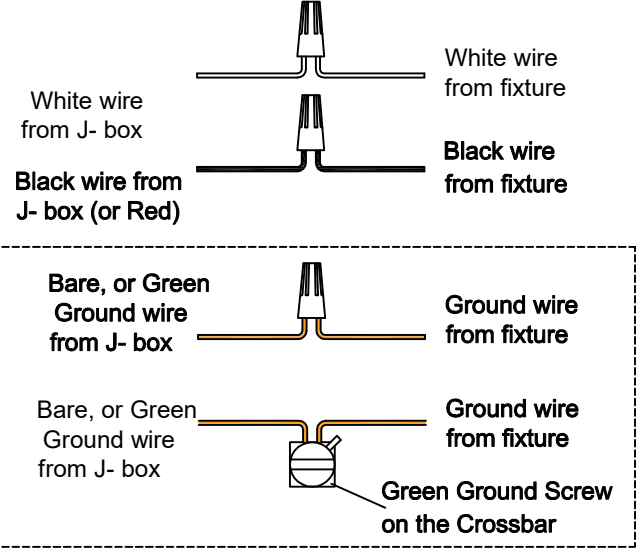


Figure 7

STEP 6 - Install the Fixture Chain and Ceiling Canopy

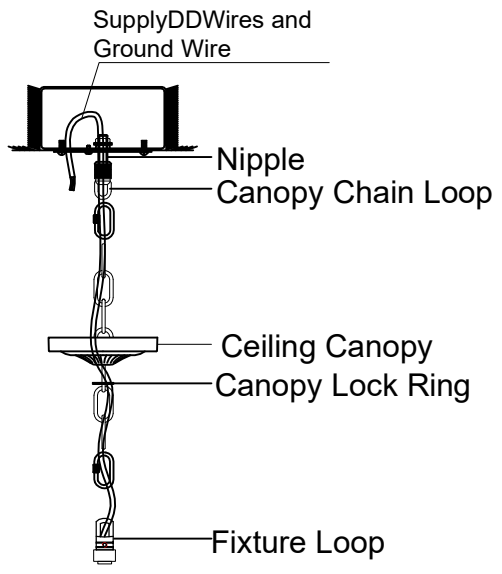


Figure 6

STEP 8 - Install Socket sleeve and Bulbs.

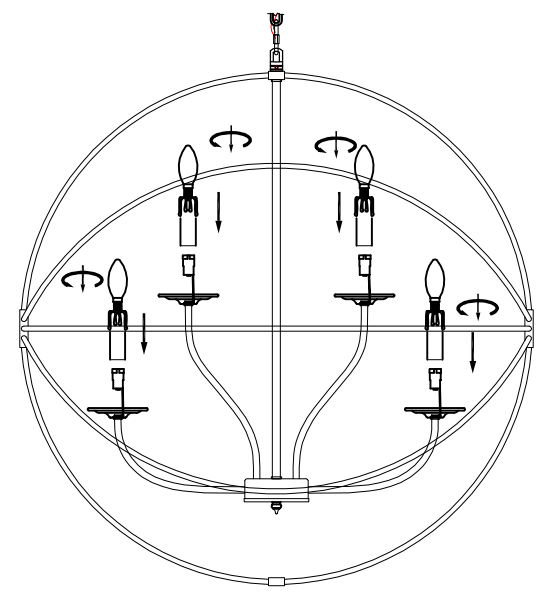


Figure 8