

# KD1US17B

17 Inch Undermount Single Bowl  
Stainless Steel Bar Sink with Drain Assure

# Kräus®

SPECIFICATION SHEET

## Sink Dimensions

Overall Dimensions: 16 7/8" x 18 3/4"

Bowl Dimensions: 15 1/8" x 17"

Bowl Depth: 9"

## Features

- 16 Gauge Stainless Steel Construction
- Type 18/10 Antibacterial
- Undermount Installation
- Single Bowl Sink
- Required Minimum Cabinet Size: 21" Left to Right, 24" Front to Back
- Rear Center-Set Drain
- 3 1/2" Drain Opening
- 99.9% Reduction of Bacteria
- NoiseDefend Undercoating and Sound Dampening Pads

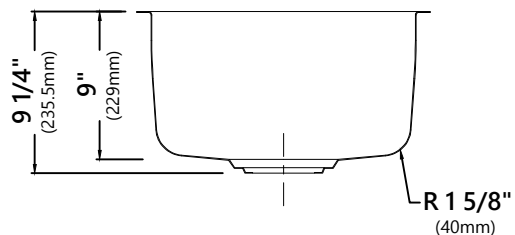
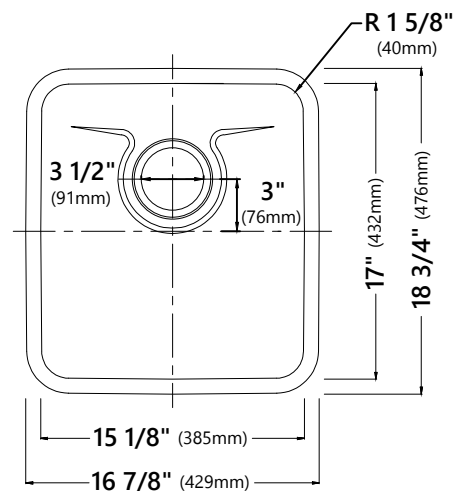
## Accessories Included

- Strainer ST-4
- Cover Cap STC-1
- Silicone Mitt KSM-1BLACK
- Cut-Out Template
- Mounting Hardware

## CODES/STANDARDS:

### Product Certification

cUPC (ASME A112.19.3/CSA B45.4), MASS



## Warranty

Kraus Limited Lifetime Warranty

see website for details [www.kraususa.com](http://www.kraususa.com)

Kraus USA Customer Service

1.800.775.0703 | [customerservice@kraususa.com](mailto:customerservice@kraususa.com)

REV. February 22, 2019