

Kraus Dex™ Model KD1US33B



Kraus Dex™ 33 Inch Undermount Single Bowl 16G Stainless Steel Kitchen Sink w/ Waterway and NoiseDefend™ Soundproofing

Stainless Steel
Thickness 16 Gauge
Type 18/10 Antibacterial

The Big Sink - Rim Dimensions
Front to Back: 19"
Left to Right: 32 7/8"

Antibacterial Test Method
KCL-FIR-1003:2011

Bowl Configuration
Single Bowl

Drain Size
3 1/2" (89mm)

Included with Product
NoiseDefend Undercoating
NoiseDefend Sound Dampening Pads
Waste Fitting ST-4
Undermount Mounting Clips
Installation Template US-1
Silicone Mitt KSM-1BLACK
Silicone Trivet KST-1BLACK

Installation Type
Undermount

Drain Location
Rear Center

Recommended Minimum Cabinet Size
24" Front to Back
36" Left to Right

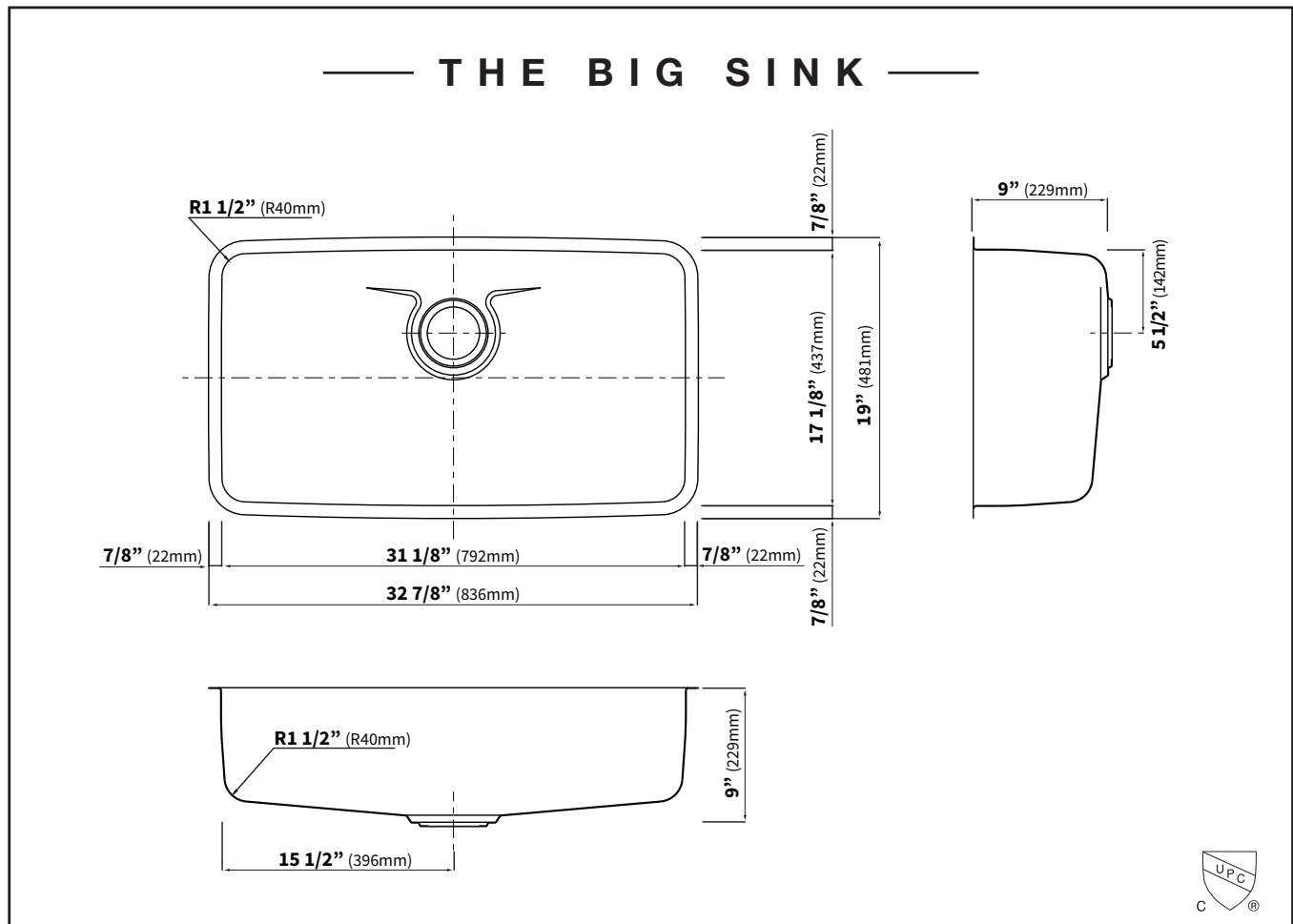
Recommended Dish Grid
31" Stainless Steel Kitchen Sink Grid
Model No: BG3117

Warranty
Kraus Lifetime Limited Warranty

The Big Sink - Bowl Dimensions
Front to Back: 17 1/8"
Left to Right: 31 1/8"
Depth: 9"

Antibacterial Properties
99.9% reduction of bacteria
• Escherichia coli
• Staphylococcus

Product Certification
cUPC (ASME A112.19.3/CSA B45.4), MASS



Kraus Dex™ Model KD1US33B

Kraus®

SPECIFICATION SHEET

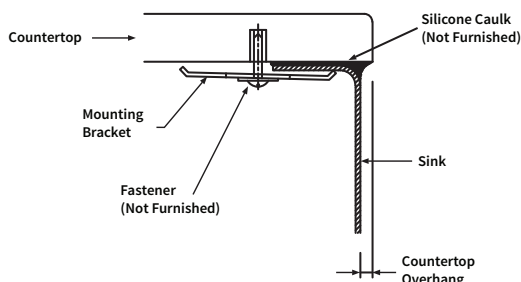
KD1US33B Specification

Kraus USA Model KD1US33B is a single bowl undermount kitchen sink manufactured from 16 gauge 18/10 antibacterial stainless steel. Product has a brush finished bowl bottom and satin finished bowl sides. Sink rim is satin finish, with mirror finish bowl radius opening. Sink includes NoiseDefend™ undercoating and rubber sound dampening pads.

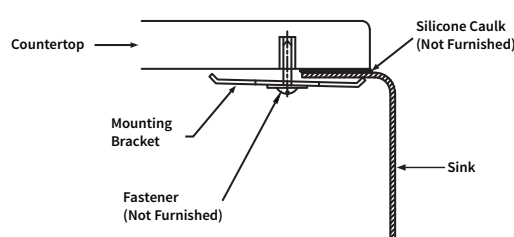
- Model KD1US33B bowl bottom has embossed Kraus waterways to channel water directly to drain. Drain is located rear center of the sink bowl.
- Waste fitting, undermount installation clips, and silicone oven mitt and trivet are also included.
- Model KD1US335B is a big sink, with sink bowl dimensions: 17 1/8"FB x 31 1/8"LR x 9"DP
- Recommended minimum cabinet size is 24"FB x 36"LR
- Model KD1US33B includes Kraus USA Lifetime Limited Warranty.

— THE BIG SINK — COUNTERTOP CUT-OUT OPTIONS

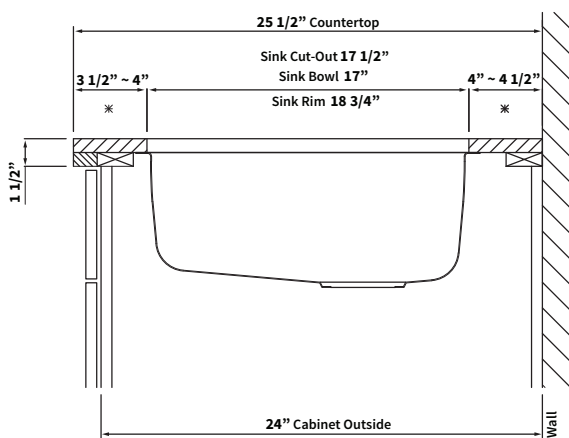
SPECIFICATION B: 1/8" OVERHANG



SPECIFICATION A: 1/4" REVEAL

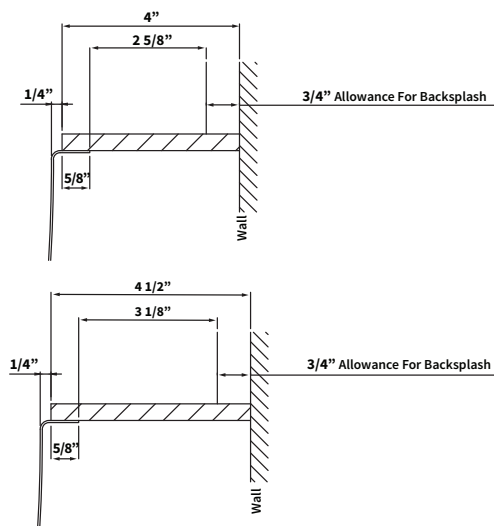


SINK INSTALLATION



SIDE VIEW

*Dimensions May Be Adjusted At Discretion Of Fabricator



DETAILS OF COUNTERTOP & FAUCET LANDING

