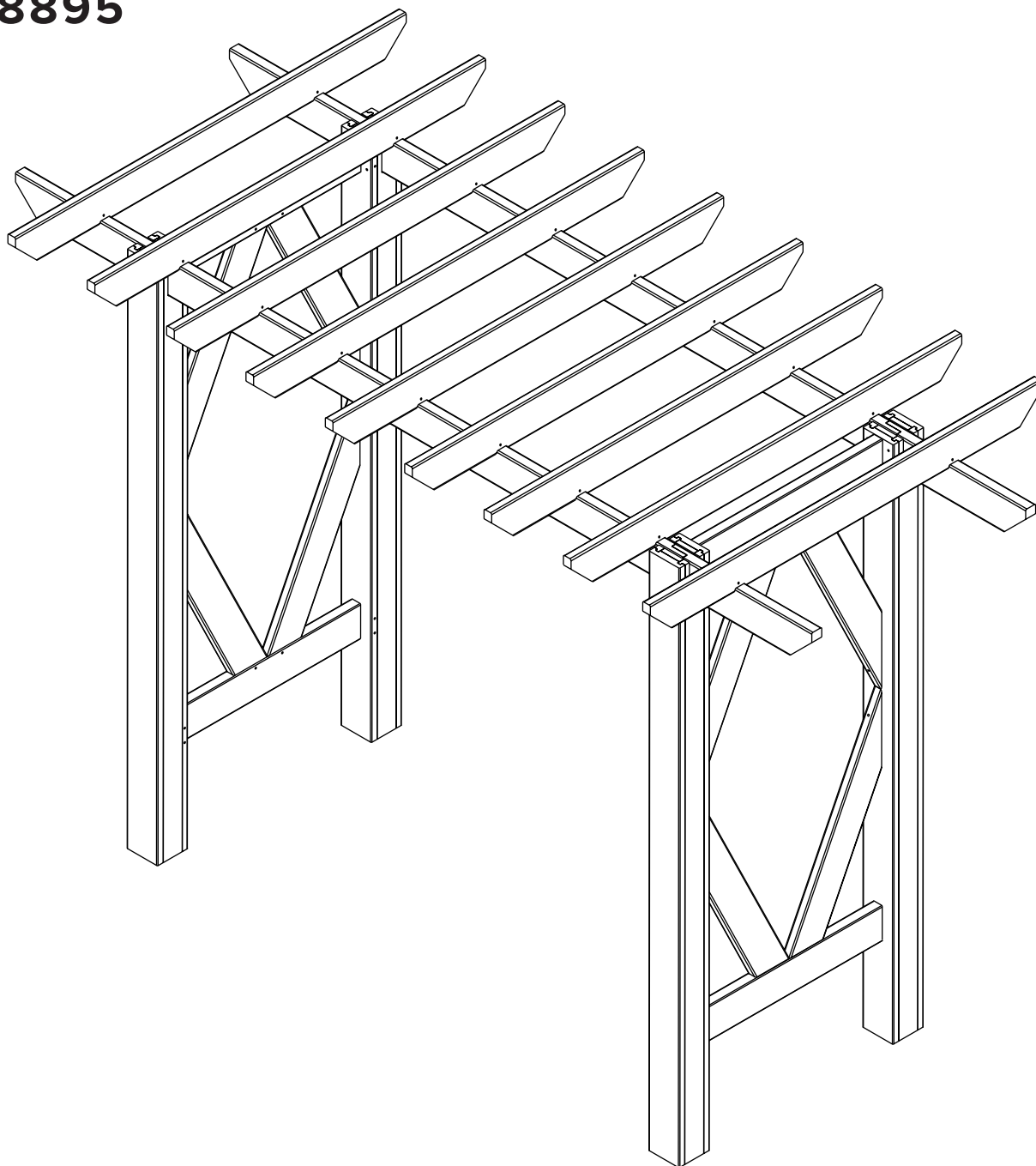


Summerwood Craftsman Arbor

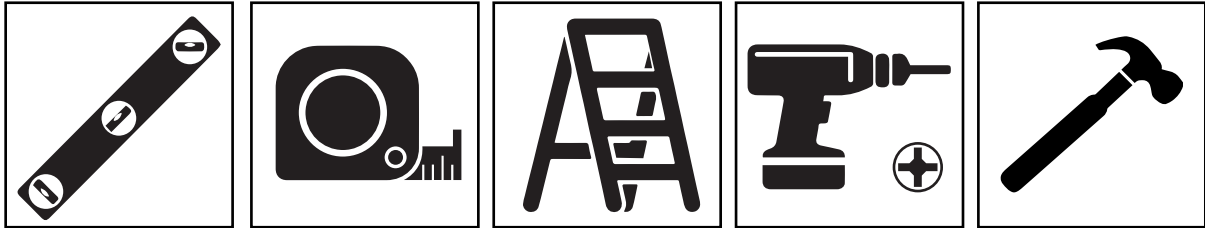
VA68895



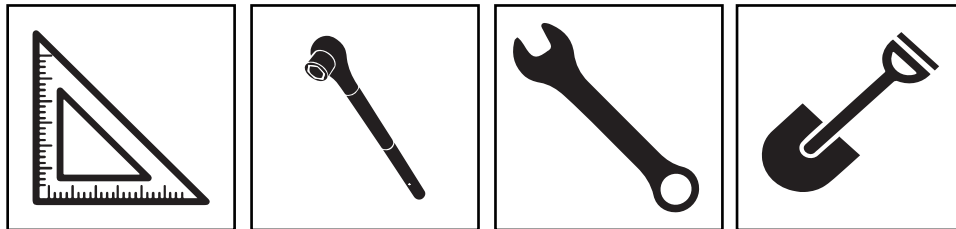
GETTING STARTED

First off, allow us to say thank you for the investment you have made in our fine Arbor. This Arbor is designed to be assembled and installed ideally by two people with basic carpentry knowledge and tools. Do not attempt alone, especially during the installation stage. When assembling components, place on a non-abrasive surface (ie: shipping box) to avoid scratching. We recommend a 15' x 15' area for unobstructed assembling. You should not need to use excessive force when assembling any components.

TOOLS YOU WILL NEED



TOOLS YOU MAY NEED



CAUTION: DO NOT HANG OTHER MATERIALS OR OBJECTS FROM RAFTERS OR BEAMS.

Please take the time to read this instruction guide thoroughly prior to the construction of your arbor. If you have any questions, feel free to contact our technical dept by calling

North America: 1 800 282 9346 (Mon. to Fri. 8:00 A.M. to 5:00 P.M. EST).

UK TEL: (44) 2038 687160 - Mon. to Fri. 1:00 P.M. to 10:00 PM GMT.

New England[™]
Arbors

WWW.NEWENGLANDARBORS.COM
WWW.NEWENGLANDARBORS.CO.UK

IN THIS GUIDE

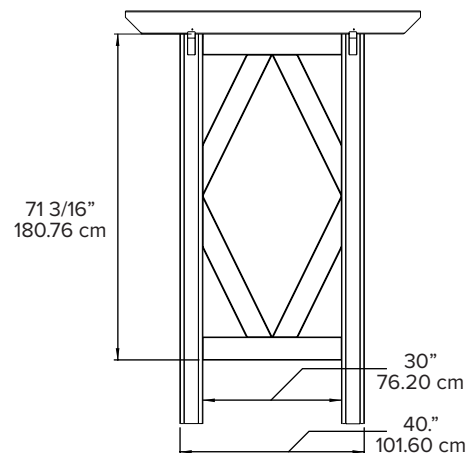
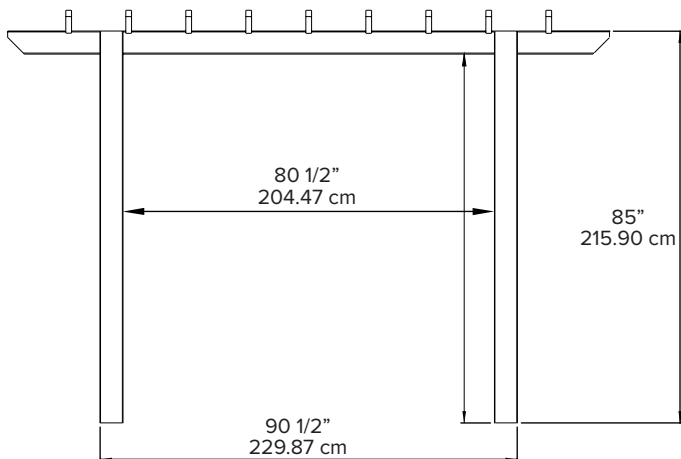
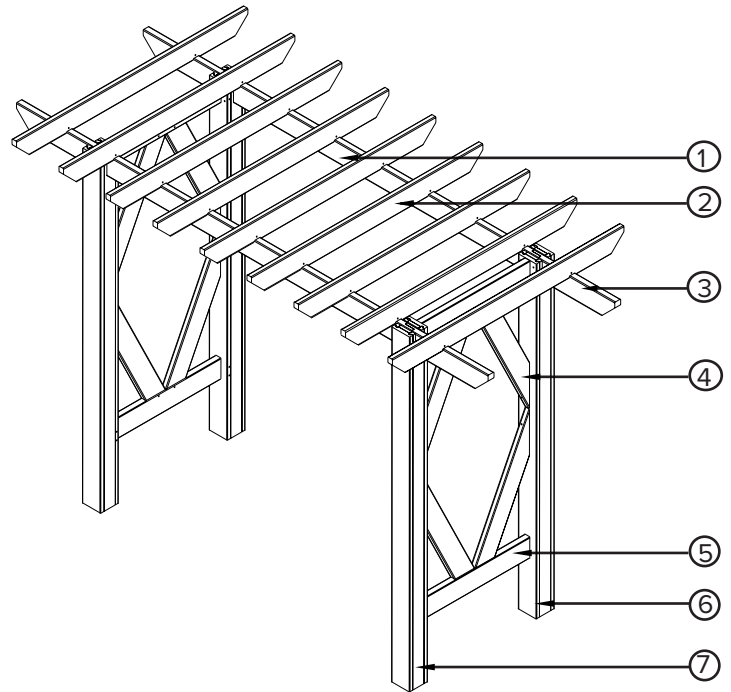
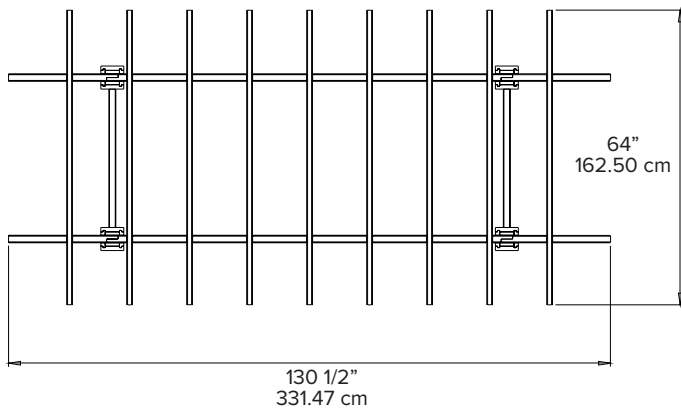
MATERIALS OVERVIEW	4
MATERIALS BREAKDOWN	5
DISTANCE BETWEEN MOUNTING POSTS	6
INSTALLING RAILS AND BRACES INTO POSTS	7
INSTALLING SECOND POST AND SECOND PAIR OF BRACES	8
GUIDE ARBOR PANELS OVER INSTALLED MOUNTING POSTS	9
BEAM AND BEAM ENDS ASSEMBLY/ ATTACHMENT	10
ATTACHING RAFTER TO BEAM	11
TIGHTEN ALL SCREWS ON BOTH SIDES	12



WWW.NEWENGLANDARBORS.COM
WWW.NEWENGLANDARBORS.CO.UK

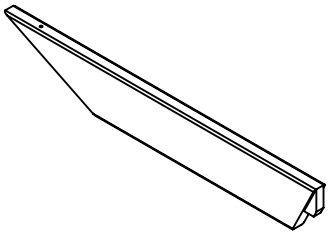
MATERIALS OVERVIEW

1. **12010 - Beam (x2)**
1 1/2" x 5" x 88" (3.81 x 12.7 x 223.52cm)
2. **12011 - Rafter (x9)**
1 1/4" x 5" x 64" (3.17 x 12.7 x 162.50cm)
3. **12102 - Beam End (x4)**
1 1/2" x 5" x 23 3/4" (3.81 x 12.7 x 60.32cm)
4. **12014 - Brace (x8)**
1 1/4" x 5" x 34" (3.17 x 12.7 x 86.52cm)
5. **12015 - Rail (x4)**
1 1/2" x 5" x 32" (3.81 x 12.7 x 81.28cm)
6. **12013 - Right Post (x2)**
5" x 5" x 85" (12.7 x 12.7 x 215.90cm)
7. **12042 - Left Post (x2)**
5" x 5" x 85" (12.7 x 12.7 x 215.90cm)



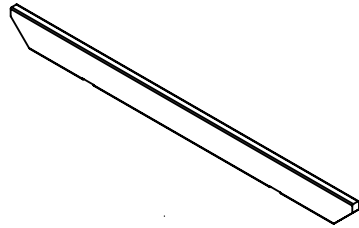
MATERIALS BREAK DOWN

1



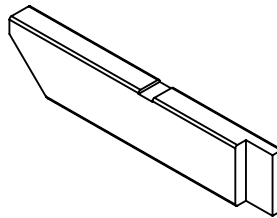
12014 - BRACE (X8)

2



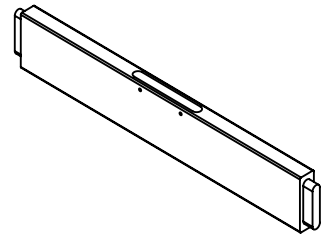
12011 - RAFTER (X9)

3



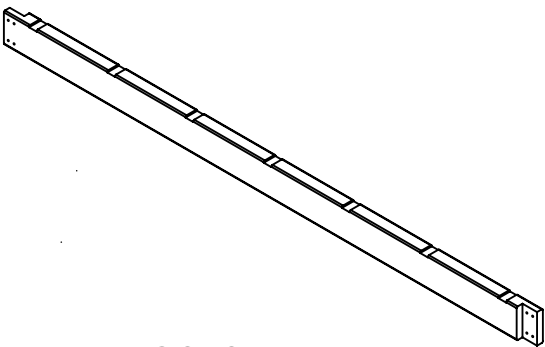
12102 - BEAM END (X4)

4



12015 - RAIL (X4)

5



12010 - BEAM (X2)

8

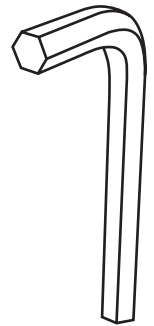


80021 - MOUNTING POST (X4)

9

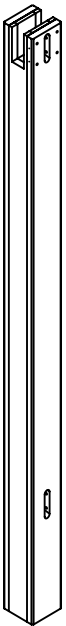


10



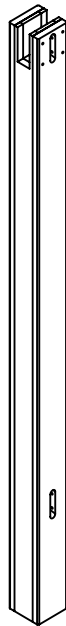
ALLEN KEY (X2)

6



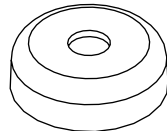
12013 - LEFT POST (X2)

7



12042 - RIGHT POST (X2)

11



80022 - POUND CAP (X4)

12

20049 - SCREW 1 (X8)
1 1/4" (3.18CM)



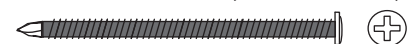
13

20048 - SCREW 2 (X36)
2 1/2" (6.03CM)



14

20052 - SCREW 4 (X40)
2 3/4" (6.98CM)



15

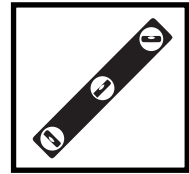
20059 - BOLT AND JOINT CONNECTOR (X16)
1" (2.54CM)



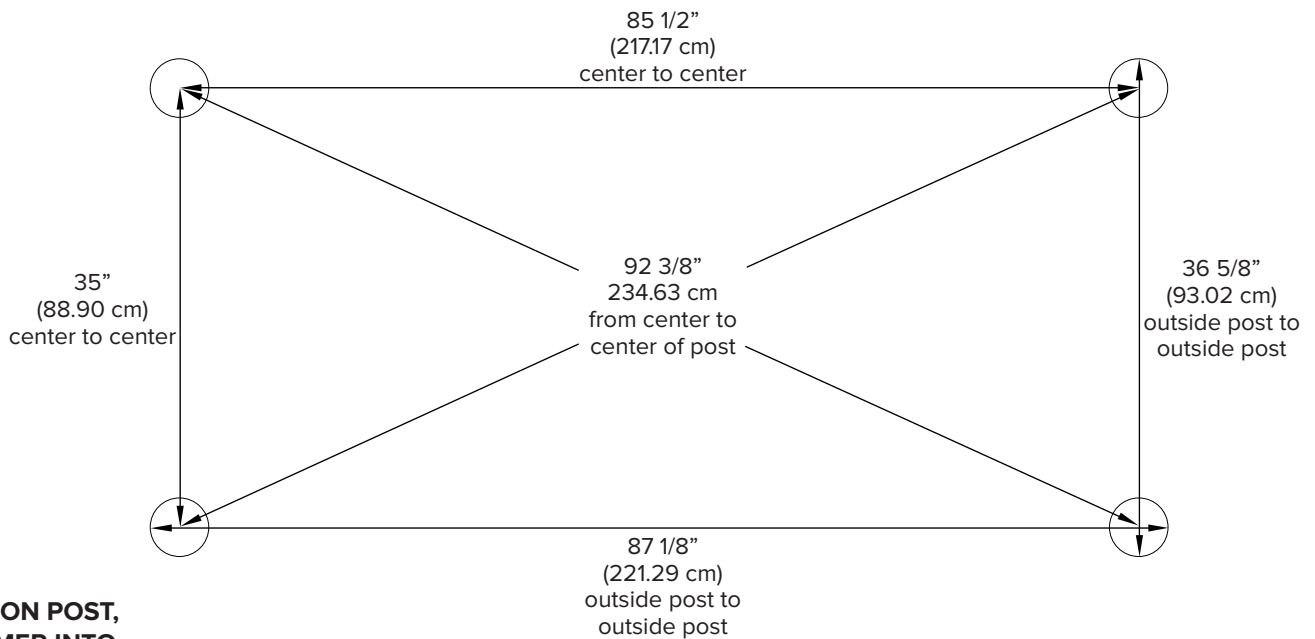
Step 1

DISTANCE BETWEEN MOUNTING POST

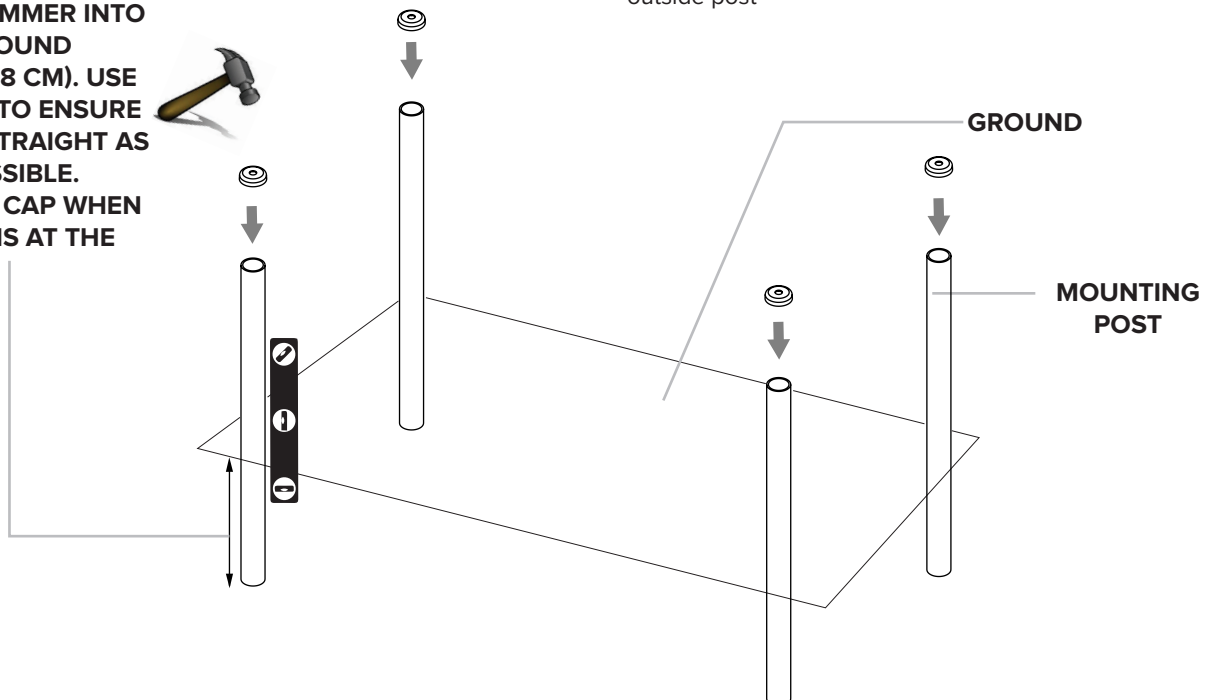
 MOUNTING CAP



 MOUNTING POST




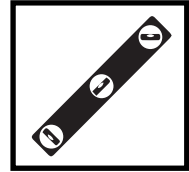
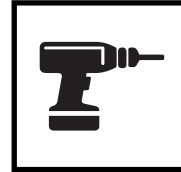
PLACE CAP ON POST,
THEN HAMMER INTO
GROUND
12" (30.48 CM). USE
A LEVEL TO ENSURE
IT IS AS STRAIGHT AS
POSSIBLE.
REMOVE CAP WHEN
POST IS AT THE



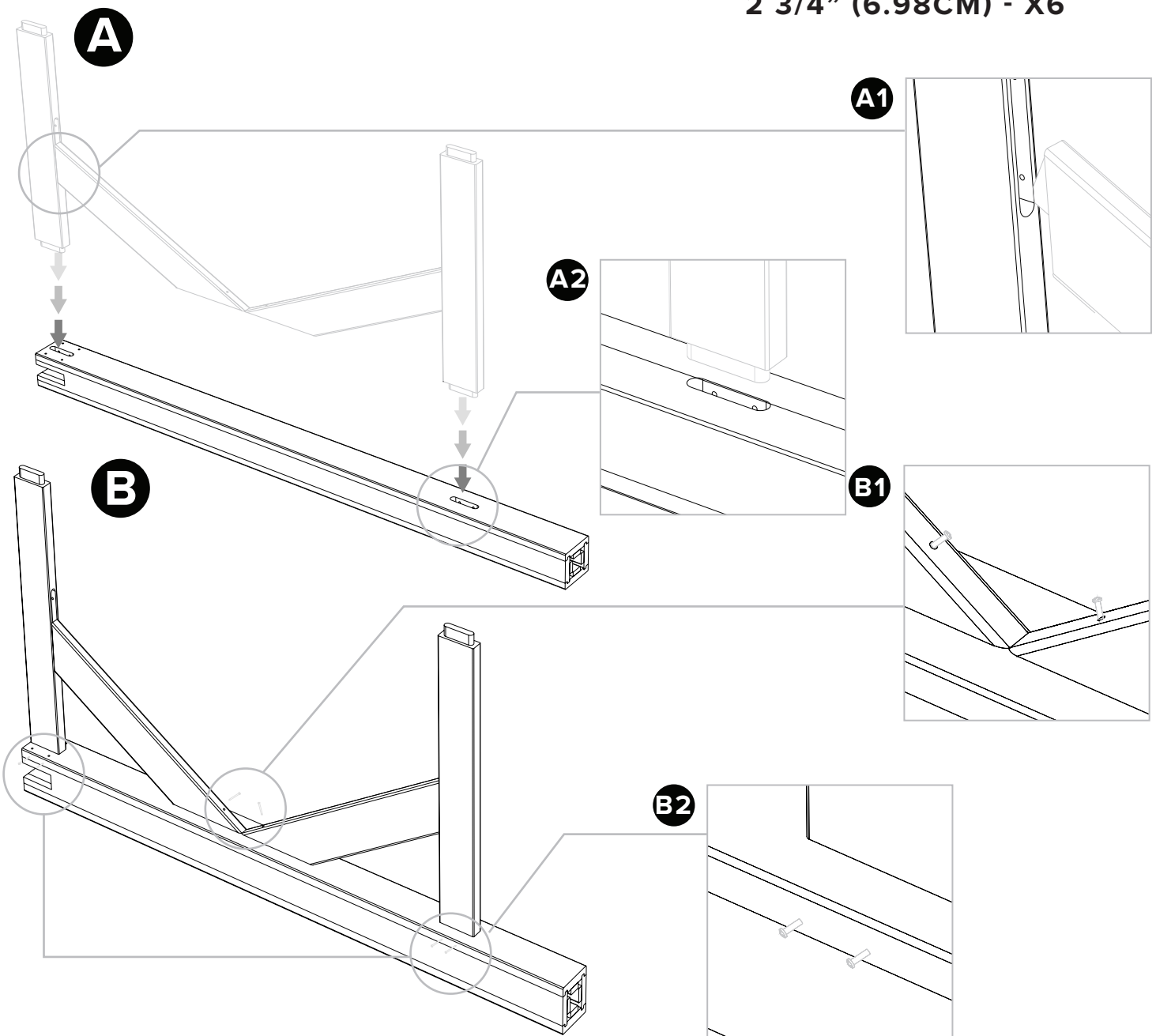
Step 2

INSTALLING RAILS AND BRACES INTO POST

 Please Note: Do not fully insert all screws. Wait till last step to adjust where needed, then screw fully!



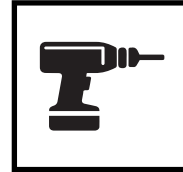
10  
2 3/4" (6.98CM) - X6



Step 3

INSTALLING SECOND POST AND SECOND PAIR OF BRACES

Repeat steps 2 and 3 for second arbor panel

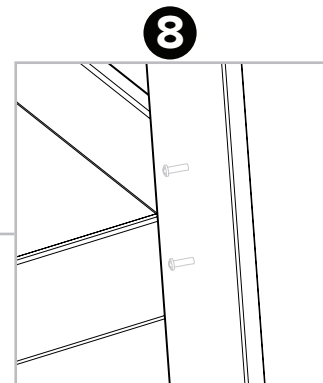
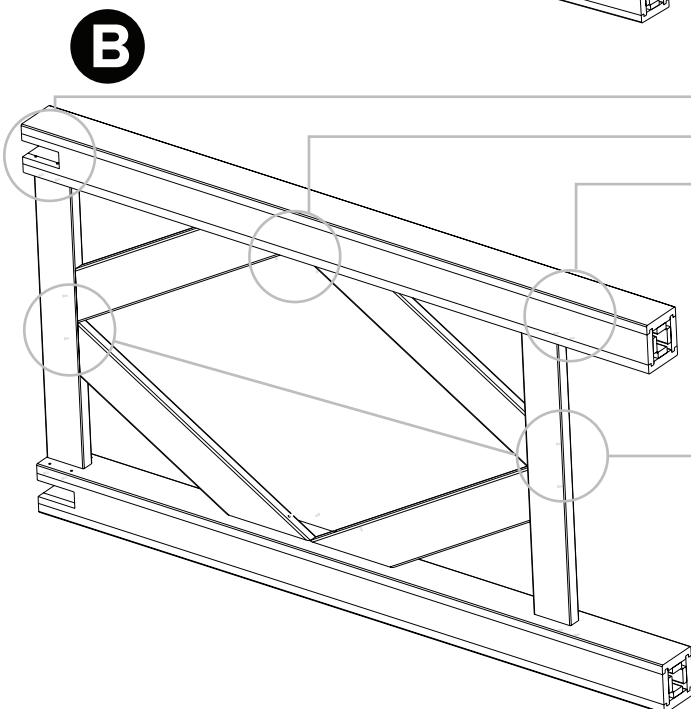
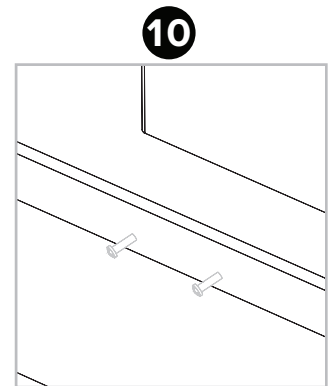
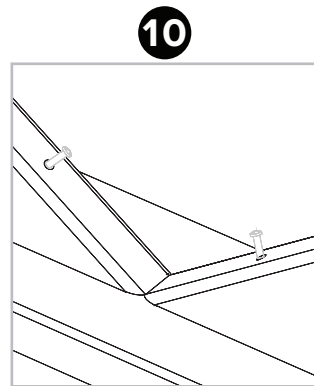
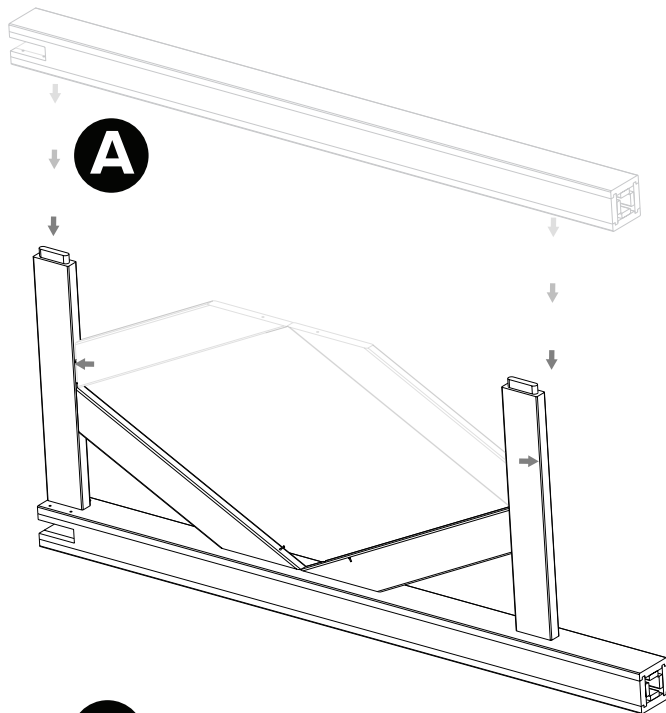


10

2 3/4" (6.98CM) - X6

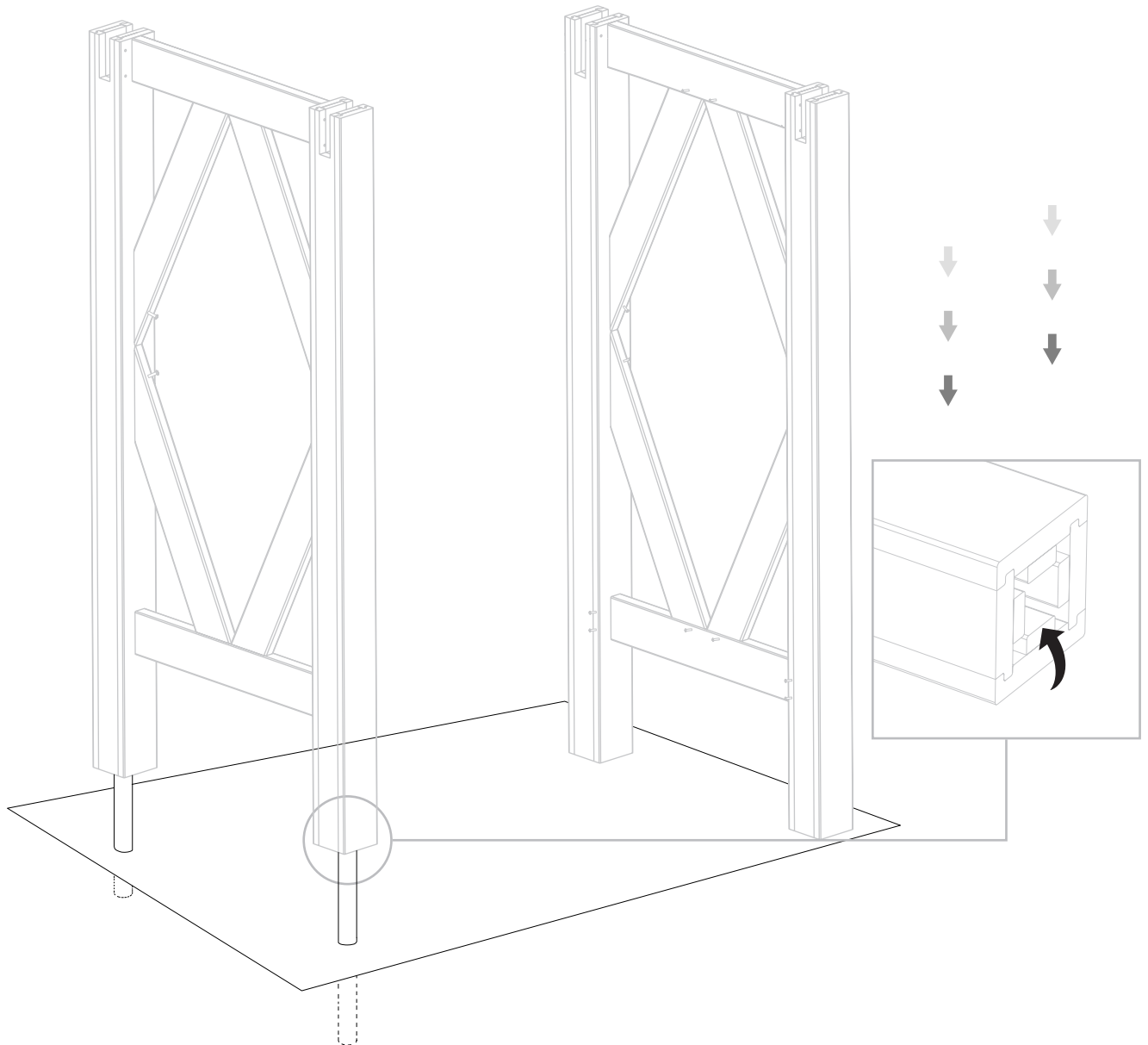
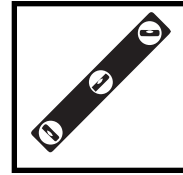
8

1 1/4" (3.18CM) X4



Step 4

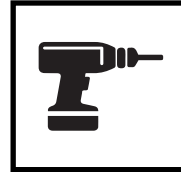
GUIDE ARBOR PANELS OVER INSTALLED MOUNTING POST





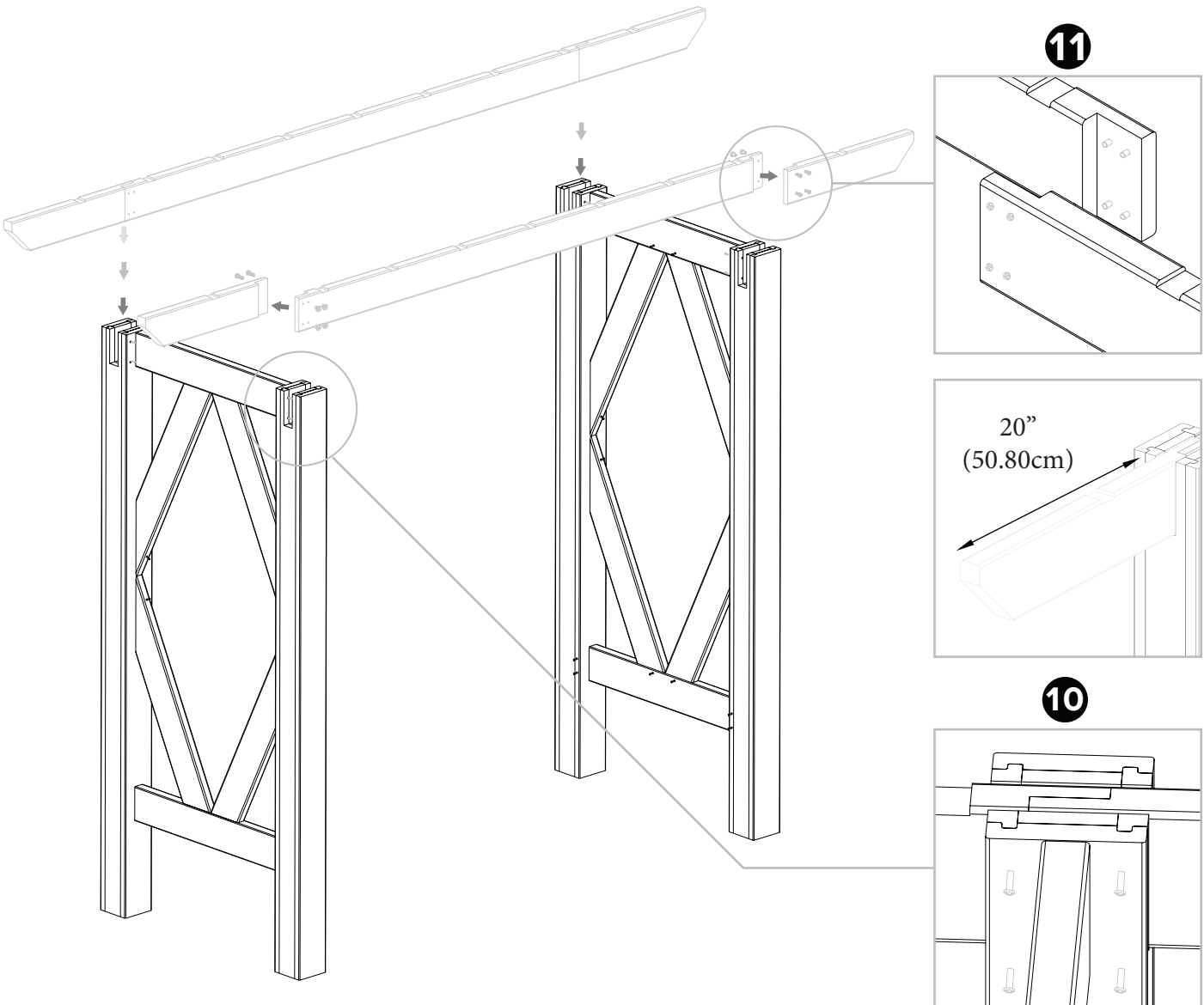
All screw heads need to be facing the inside of the arbor.

Step 5

BEAM AND BEAM ENDS ASSEMBLY/ ATTACHMENT



- 11**  **1" (2.54CM) X16**
- 10**  **2 3/4" (6.98CM) - X16**

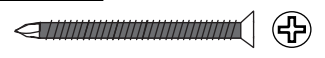


Step 6

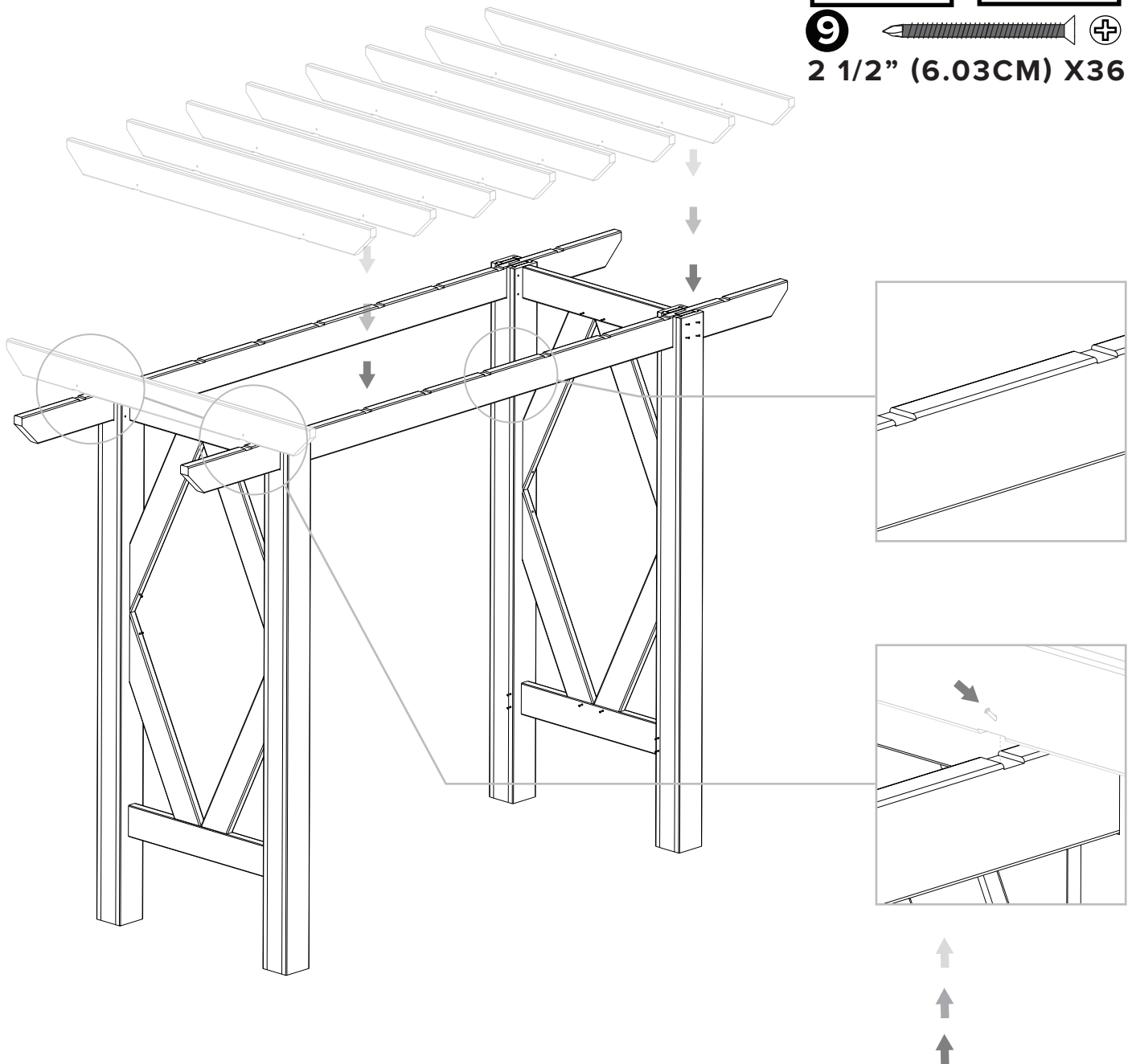
ATTACHING RAFTERS TO BEAM



9



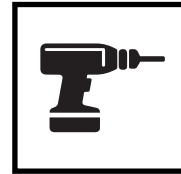
2 1/2" (6.03CM) X36



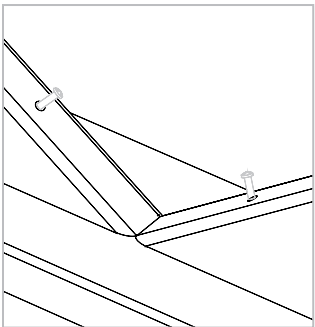
Angle screws on both sides when drilling rafter into beam

Step 7

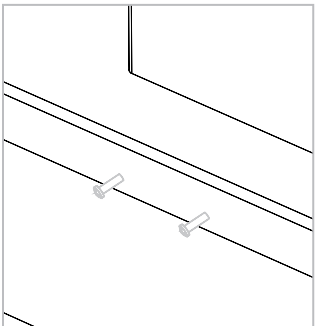
TIGHTEN ALL SCREWS ON BOTH SIDES



1



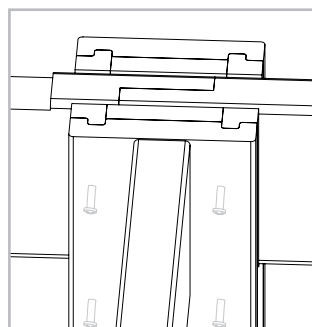
2



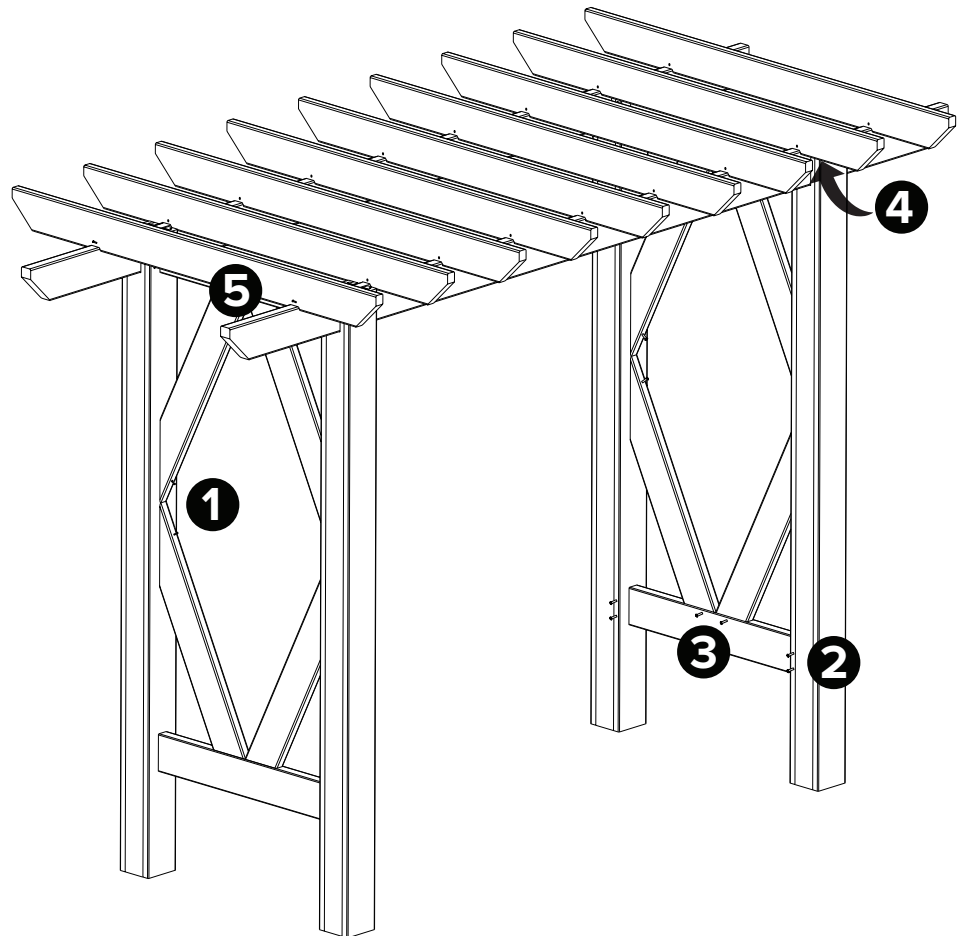
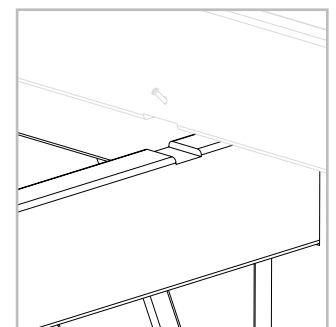
3



4



5



We're here for you.

If you have any questions at all,
don't hesitate to contact us.

NORTH AMERICA TOLL FREE

1-800-282-9346

UNITED KINGDOM

(44) 2038 687160

Visit our website to chat with a support technician.

WWW.NEWENGLANDARBORS.COM
WWW.NEWENGLANDARBORS.CO.UK

New England[™]
·  · **Arbors**