



# Hexagonal Sand Pit Assembly Instructions

**CREATIVE CEDAR DESIGNS**

**MODEL #7118**

## Parts Identification:

(6) "A" Panels

(9) "B" Panels

(6) "C" Panels

(30) 1-1/2" Screws

(1) Weed Suppressant Lining - Ground Cover

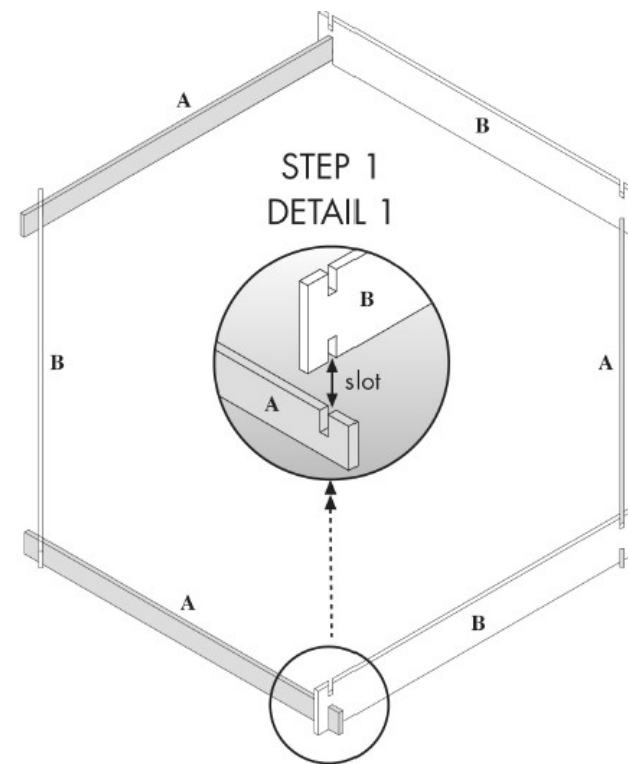
(1) Polyethelene Top-Cover

## Tools Required:

Phillips Screwdriver

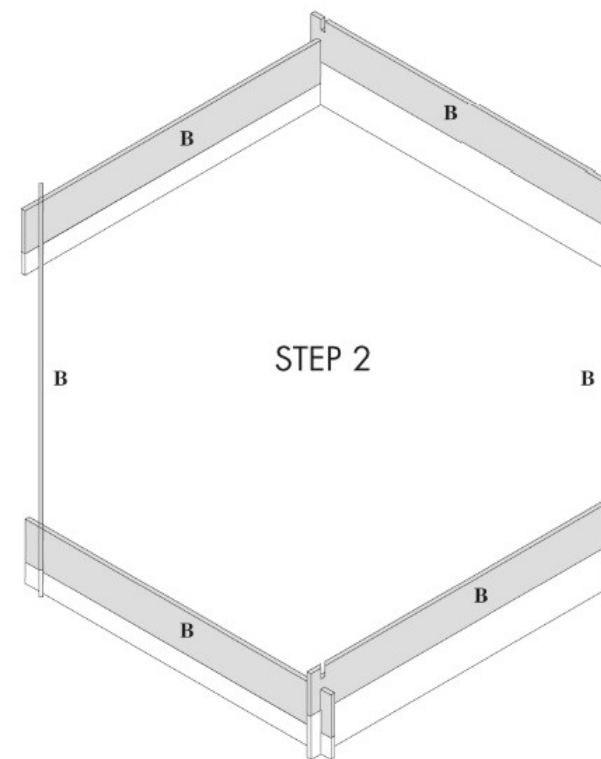
### STEP 1:

Slot three "B" panels into three "A" panels by sliding cut-outs into on another (Detail 1) and push down to secure firmly.



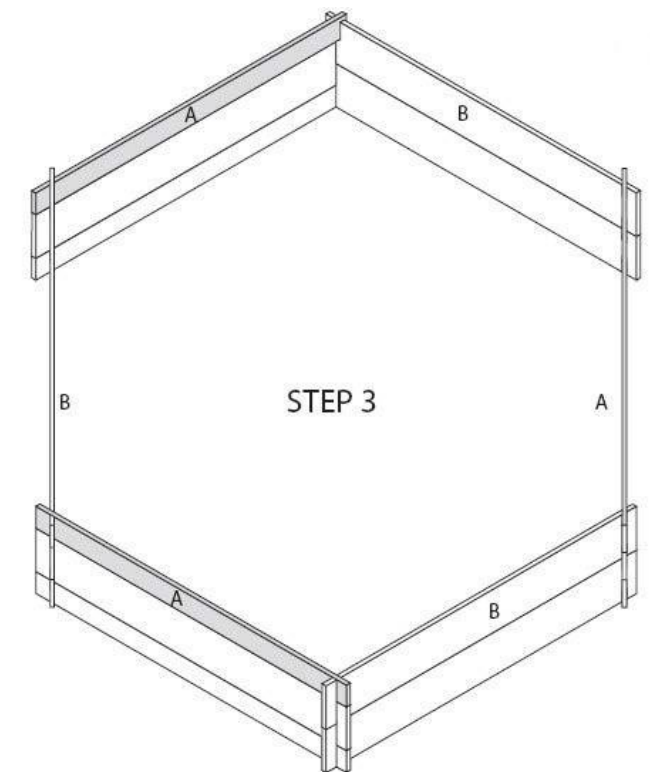
### STEP 2:

Continue building sides of sand pit using the six "B" panels as shown.



### STEP 3:

To complete the sides of the sandpit, slot the last three "A" panels into the three "B" panels as shown





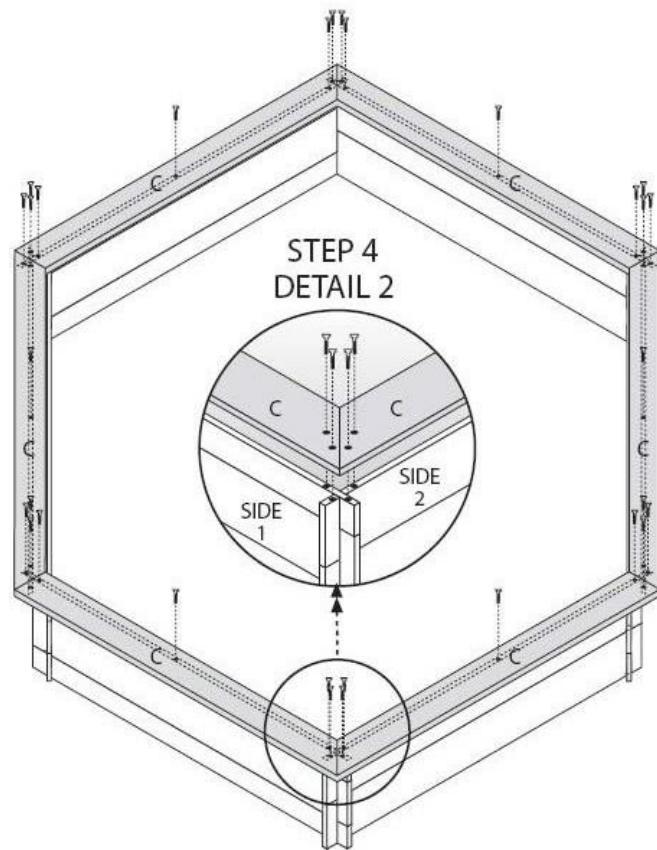
# Hexagonal Sand Pit Assembly Instructions

**CREATIVE CEDAR DESIGNS**

**MODEL #7118**

**STEP 4:**

Screw seats "C" to sides through pre-drilled holes (Detail 2) using five 1-1/2" Screws per seat.



**Warning!**

1. Ensure Parts C are assembled together with no gaps; Entrapment hazard.
2. Ensure screw heads are level with top surface of Part C; Protrusion & sharp edge hazard.

**STEP 5:**

Place sandpit on top of ground-cover on level ground. Trim excess to fit sandpit. Fill with sand.

**WARNING:**  
THIS PRODUCT IS FOR ADULT  
ASSEMBLY ONLY

PLEASE RETAIN INSTRUCTIONS FOR  
FUTURE REFERENCE

FOR FAMILY OUTDOOR DOMESTIC USE  
ONLY

SUITABLE FOR AGE 18 MONTHS  
AND OVER.  
ADULT SUPERVISION RECOMMENDED  
AT ALL TIMES

**Keep your sandpit safe for the children**

1. Always cover the sandpit when not in use, to prevent unwanted animals from playing in the sand.
2. Before covering your sandpit, place a large object in the center of the sand to prop up the cover. This will allow water to drain off the cover and prevent any rain water from pooling in the center of the sandpit. This must be checked regularly.
3. Should any water still accumulate and form a pool, please ensure that this water is removed as standing water can pose a danger to children.
4. Regularly check sand for impurities and any other sharp objects that may cause harm to children.
5. Use washed playsand suitable for use in children's sandpits.

**Limited Warranty**

Our customer service department will review the claim and make contact with the customer by email or phone. The customer will only pay for shipping and handling to and from the factory if warranty claim is approved.

**1-888-363-4967**

**Monday thru Friday: 9am to 4pm  
Eastern Standard Time**

Creative Cedar Designs insures to the original owner of our product, that the components of our set are free from defect in materials and will be warranted for one year from the date of purchase. All non-wood components will carry a one year warranty only.

All defective parts that are discovered and reported in the first thirty (30) days after purchase will be replaced at no charge to the registered customer. After thirty (30) days of purchase, shipping and handling charges for replacement warranty parts will be passed on to the consumer. All returned goods must be approved by our customer service department.