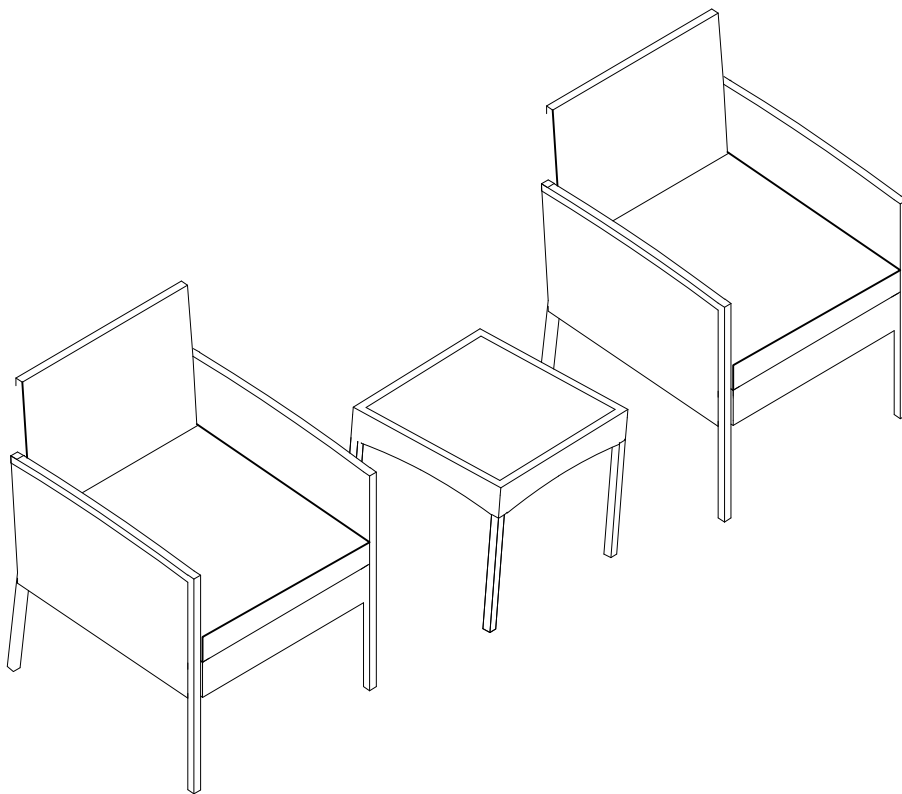


ASSEMBLY INSTRUCTION

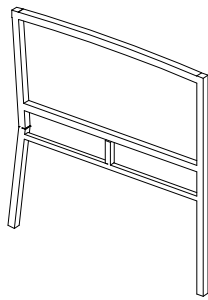
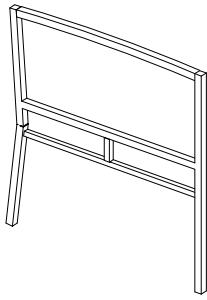
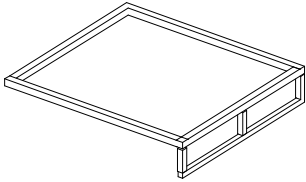
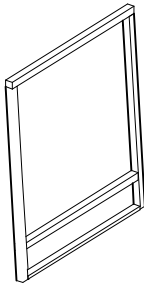
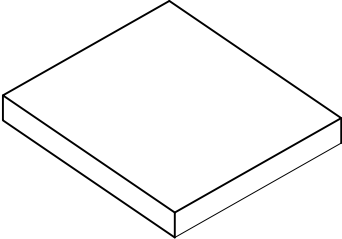
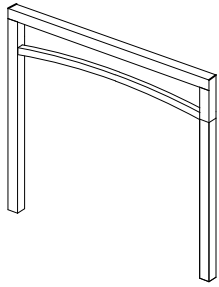
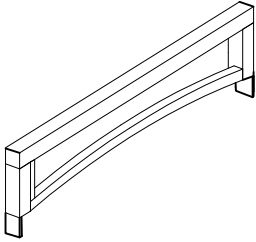
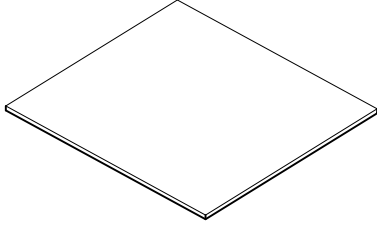
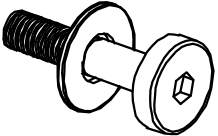
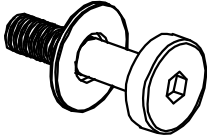
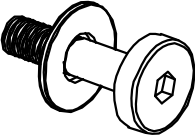

3 PIECE LONGER



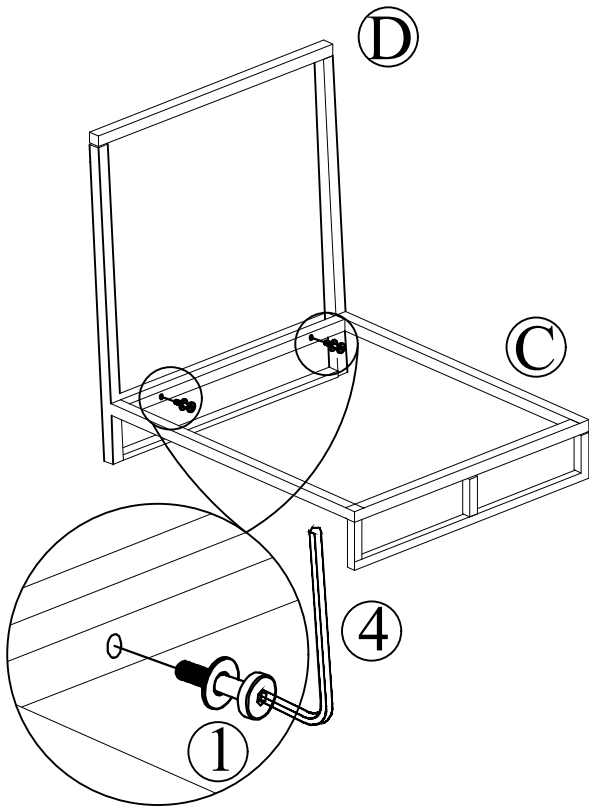
NOTE: 50% TIGHTEN BEFORE FIXING ALL BOLTS

V132YEC 20181108 PE

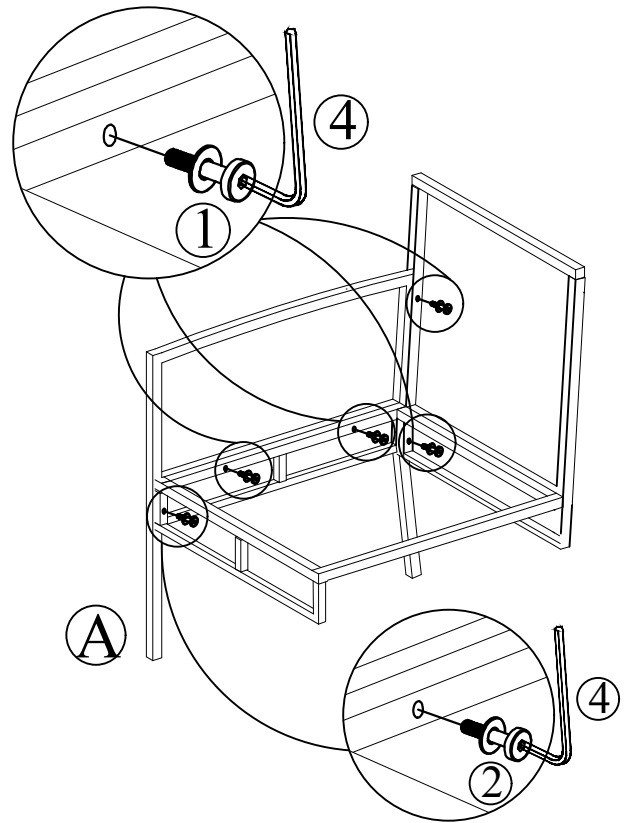
Part List & Hardware

<p>A</p>  <p>Right Frame (2pcs)</p>	<p>B</p>  <p>Left Frame (2pcs)</p>		
<p>C</p>  <p>Seat Frame (2pcs)</p>	<p>D</p>  <p>Back Frame (2pcs)</p>		
<p>E</p>  <p>Seat Cushion (2pcs)</p>	<p>F</p>  <p>Leg Frame Table (2pcs)</p>		
<p>G</p>  <p>Panel Frame (2pcs)</p>	<p>H</p>  <p>Glass (1pcs)</p>		
<p>1</p>  <p>Bolt M6x35mm (20pcs)</p>	<p>2</p>  <p>Bolt M6x25mm (8pcs)</p>	<p>3</p>  <p>Bolt M6x15mm (4pcs)</p>	<p>4</p>  <p>Allen key(1pc)</p>

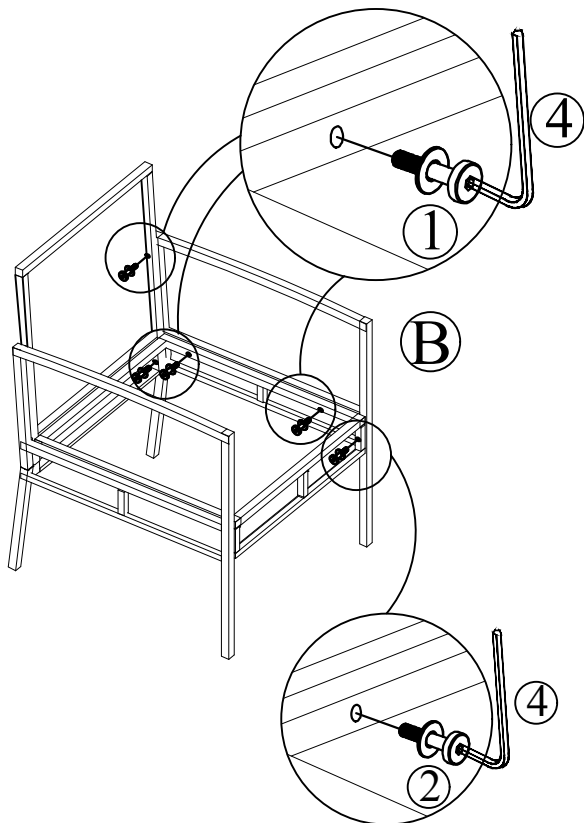
STEP 1



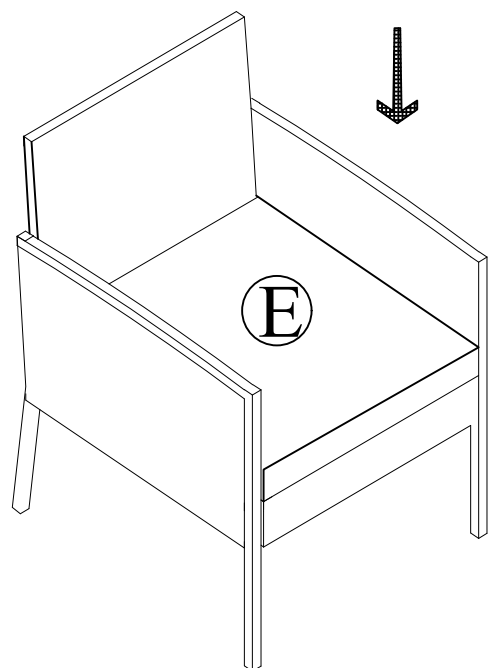
STEP 2



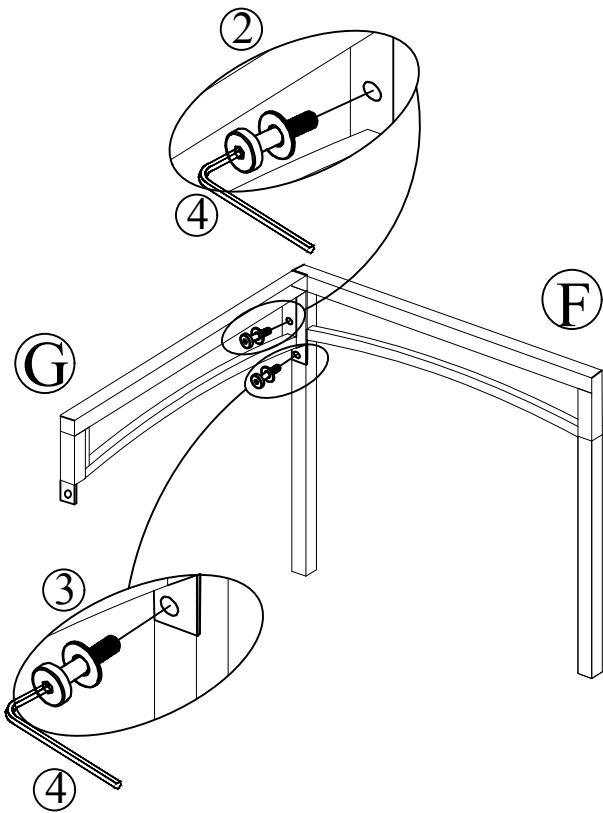
STEP 3



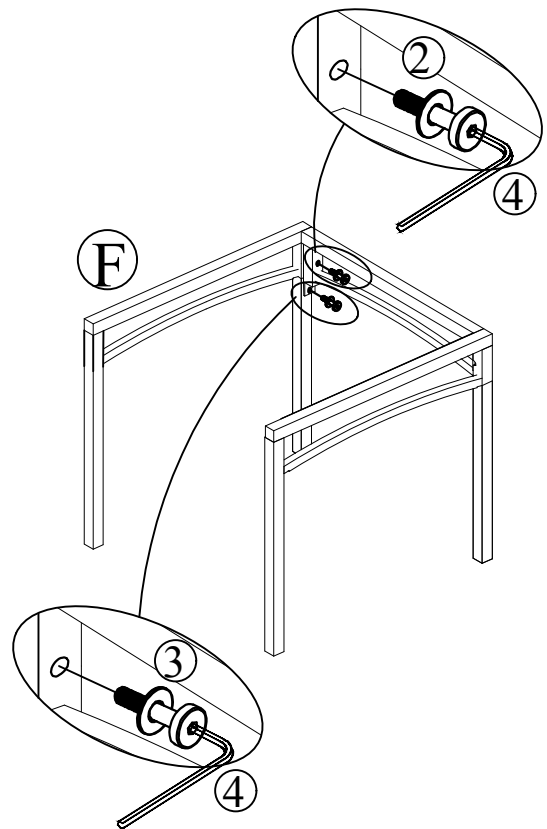
STEP 4



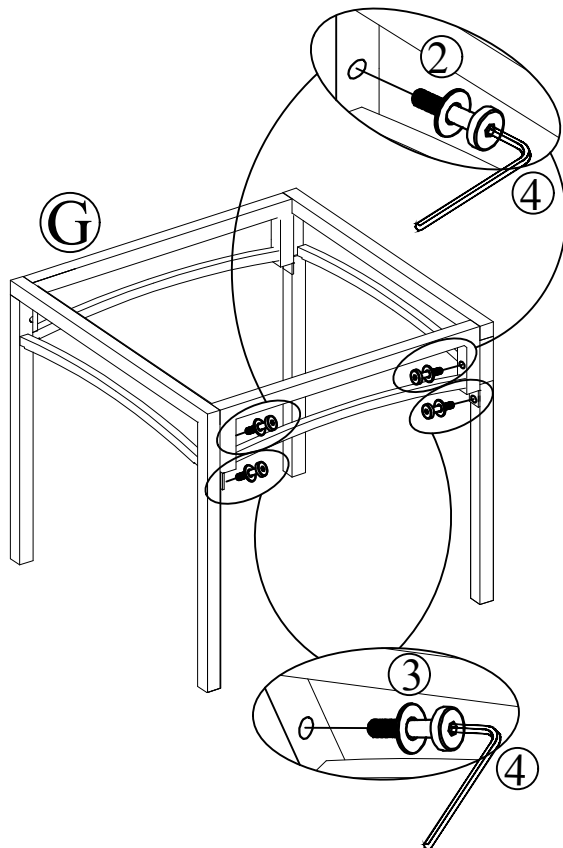
STEP 5



STEP 6



STEP 7



STEP 8

