





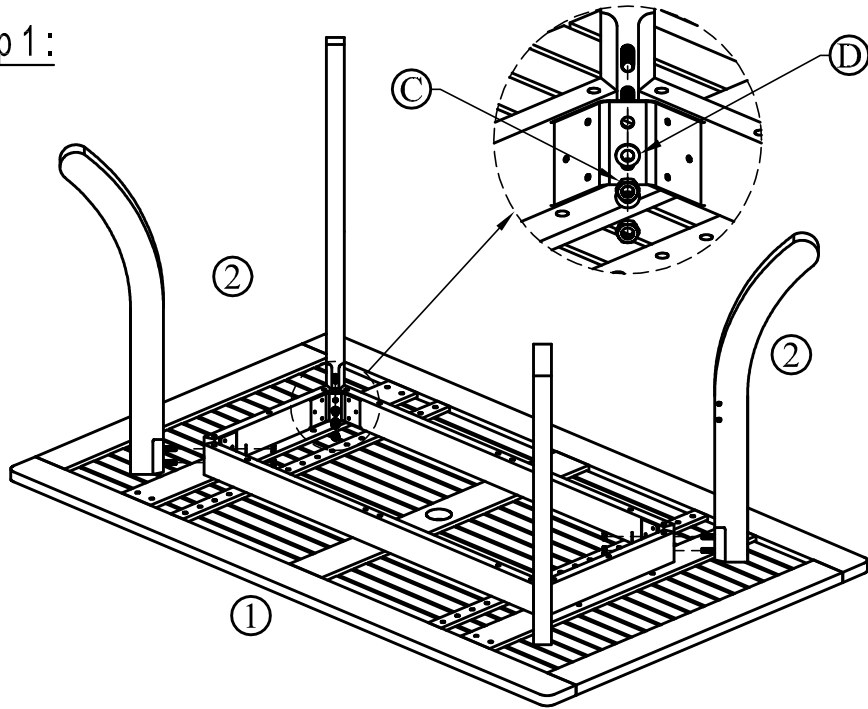
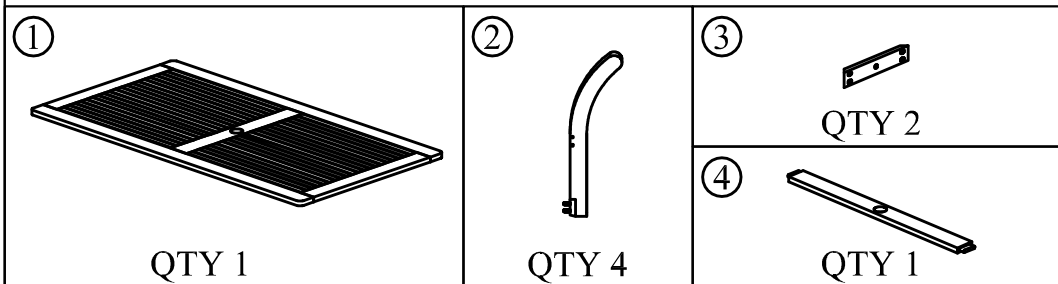
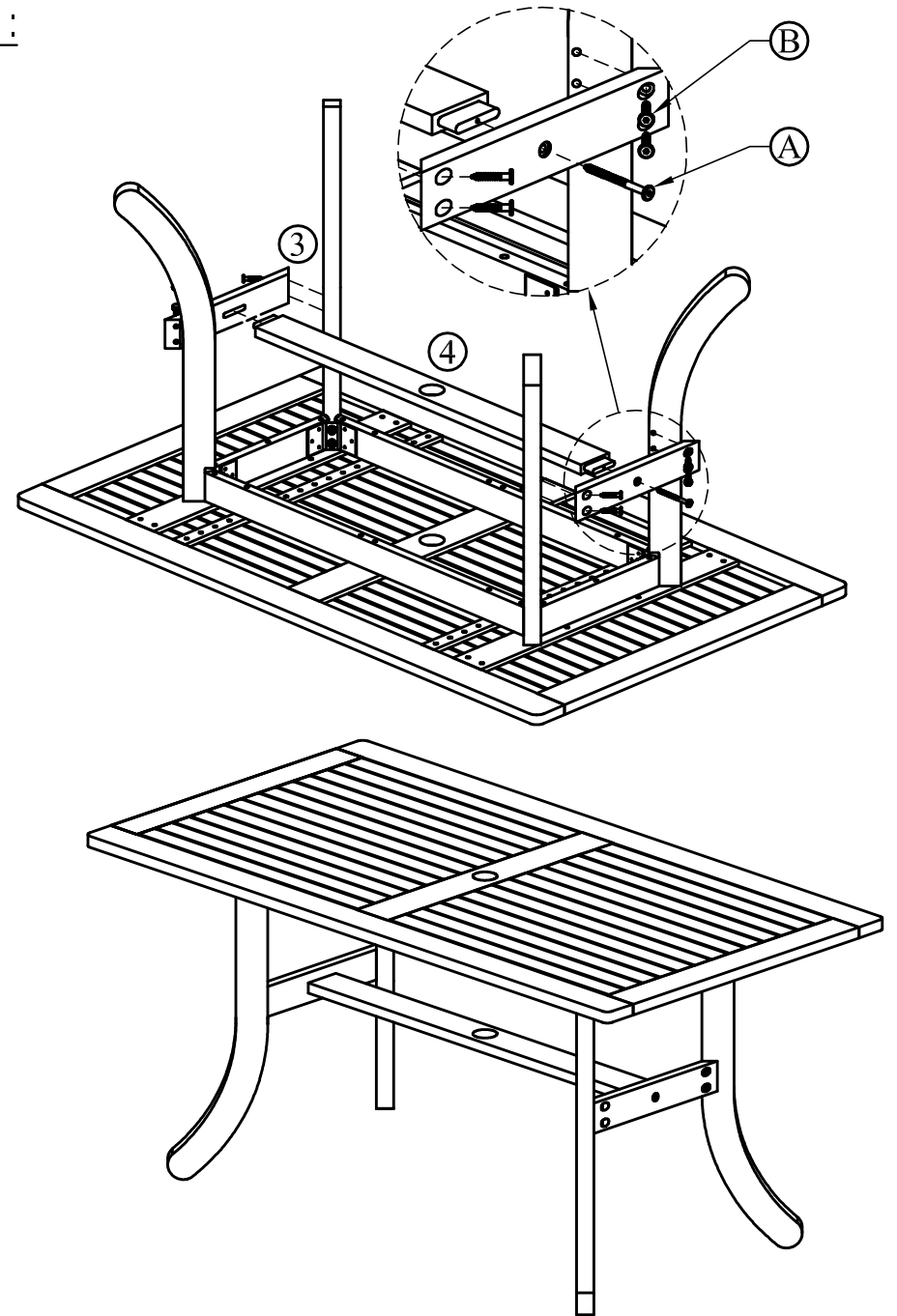


Item	Name	Description	Qty
A	F - Screw 7x60		2
B	F - Screw 7x40		8
C	Nut M8		8
D	Washer Ø20xØ9x1		8
E	Allen Key		2
F	Spanner		1



Step 1 :



Step 2 :



ASSEMBLY INSTRUCTION

Item	Name	Q.ty	Describe
A	F - Screw 7x70	6	
B	F-Screw 7x40	2	
C	Allen Key	2	