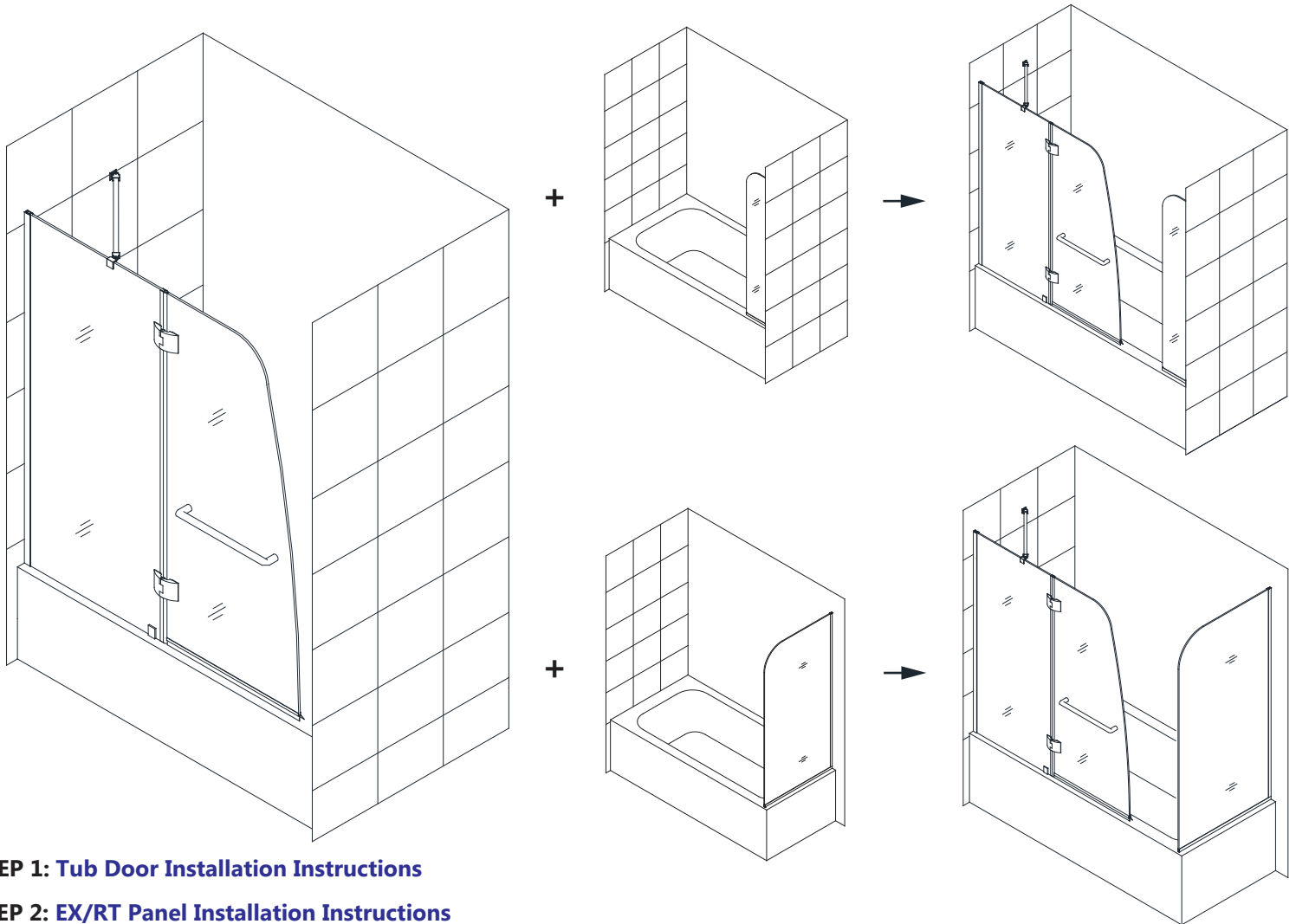


Aqua Tub Door & EX/RT Panel

TUB DOOR AND PANEL INSTALLATION INSTRUCTIONS

IMPORTANT!

DreamLine[®] reserves the right to alter, modify or redesign products at any time without prior notice for the purpose of product improvement and customer experience. Please refer to the model's web page on **DreamLine.com** for the latest technical drawings, installation manuals, warranty information or additional product details.



STEP 1: Tub Door Installation Instructions

STEP 2: EX/RT Panel Installation Instructions



Questions?

Please Call **DreamLine** Customer Support: **1-866-731-2244**
Hours of Operation M-F 8AM - 6PM EST

Support@DreamLine.com



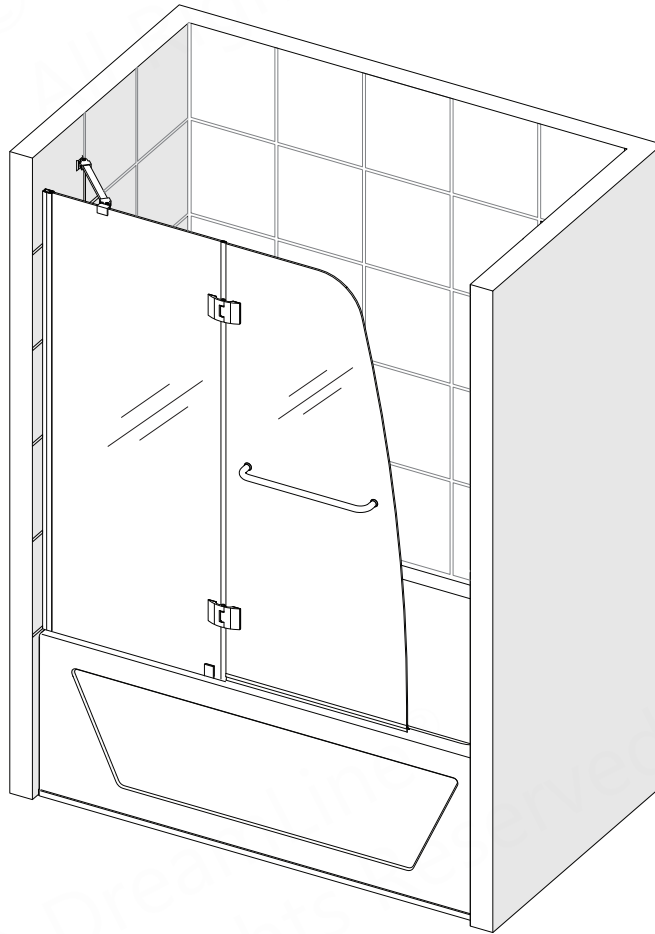
For more information about DreamLine[®] Shower Doors, Tub Doors & Enclosures,
please visit **DreamLine.com**



AQUA

TUB DOOR INSTALLATION INSTRUCTIONS

PLEASE REVIEW THIS ENTIRE MANUAL PRIOR TO INSTALLATION



SHDR-3148586-##

##=finish

01 - Chrome

04 - Brushed Nickel

06 - Oil Rubbed Bronze

09 - Satin Black

Left-swing door installation shown

IMPORTANT!

DreamLine® reserves the right to alter, modify or redesign products at any time without prior notice for the purpose of product improvement and customer experience. Please refer to the model's web page on **DreamLine.com** for the latest technical drawings, installation manuals, warranty information or additional product details.

Do Not Return Product to the Store. Contact DreamLine® with any questions



Questions?

Please Call **DreamLine Customer Support: 1-866-731-2244**
Hours of Operation M-F 8AM - 6PM EST

Support@DreamLine.com





Record the following purchase information for your records or in the event you need to contact DreamLine®:

Purchase Order
Number _____

Store/Vendor
Purchased From _____

Installation Date _____

OD Number
(optional) _____
located on the shipping box or label
if available.

Installed By: _____

SKU Number _____

Table of Contents

Section Title	Page #
Warnings and General Preparation	2
Model Specific Preparation	3
Adjustable Wall Profile System	4
Tools	5
Detailed Diagram of Aqua Tub Door Components	6
Parts List	7-8
Installation Steps	9-23
Support Bar Installation	16,17
Glass-to-Glass Hinge Assembly Installation	18,19
Towel Bar / Handle Installation	20
Vinyl Seals Installation	21
Glass to Glass Hinge Adjustment Procedure	24
Product Maintenance	25
Troubleshooting	26
Factory Parts Information	27
Pages for Notes	28, 29

Symbol Legend



TIP - for ease of installation.



CORRECT - recommended.



NOTE - take note of special feature; additional information.

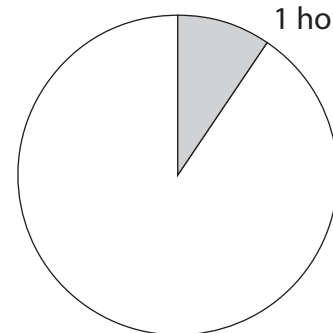


INCORRECT - not recommended.



REQUIRED - requires special attention; signifies a warning.

Average Installation Time





IMPORTANT

- DreamLine® reserves the right to alter, modify or redesign products any time without prior notice for product improvement and customer experience. Please refer to the model's web page on DreamLine.com for the latest technical drawings, installation manuals, warranty information or additional product details.
- This product should be installed by someone familiar with the construction requirements for this type of project and the care necessary for the safe installation and operation of the product.
- The safety of any installation is the responsibility of the installer.
- Professional installation recommended. *(All Models)*
- Professional installation required. *(Enigma Series)*
- To prevent damage or serious injury, Do Not lean against the installed panel/door/glass.
- To prevent damage or serious injury: Do Not attempt to lift or move a heavy lite of glass alone. Use an assistant and/or a professional grade glass suction cup.
- The installation of some models may require drilling down into the threshold. Contact the manufacturer of the base, tub, or threshold material with any questions regarding the drilling of holes into their product.
- All drawings in this installation manual are for illustrative purposes only and are not drawn to scale.

TEMPERED GLASS WARNING

- Your Shower Door Glass Could Shatter Without Warning if Improperly Installed or Mishandled
- Do Not install or operate a shower door if the glass has chipped corners, slivered edges or is otherwise damaged and/or has been dropped or banged into a hard surface such as tile, marble or glass.
- **The main causes of tempered glass breakage are:**
 - Improper handling, storage or installation
 - Misuse/abuse
 - Lack of maintenance
 - Failure to replace damaged glass
 - **Improper handling during storage, unpacking and installation:**
 - Corners and edges are the most susceptible area to damage on a lite of tempered glass and should be protected and handled with care during storage, unpacking, installation and operation. A concentrated point of pressure or impact with a surface harder than itself may cause the tempered glass to shatter. The tempered glass may release immediately, within several hours or even days later.
 - **Incorrect installation of door hardware, rollers, hinges, channels, stopper or glass:**
 - Improper installation may include: loose hardware and/or lack of proper gaskets between the hardware and glass. Additionally, improper alignment of guide rails, wall profiles or other hardware during installation or operation may place stress on the glass edges and cause it to break.
 - This product must be installed by a professional and experienced installer familiar with the safe handling of tempered glass.
 - **Improper use of this product:**
 - Aggressively opening or closing the door may cause trauma to the glass, which can lead to breakage. This may occur immediately or hours or even days later.
 - **The shower door hardware and glass should be inspected periodically:**
 - Instruct the homeowner how to perform a periodic inspection of the shower hardware and glass - some minor adjustments may be necessary based upon the use (or misuse) of the shower door. Ensure that the hardware remains tight and that the door alignment and operation are correct. Any adjustments should be made upon discovery to prevent damage to the product.
 - Additional considerations should be given to the installation of frameless tempered glass products in households with young children or an elderly person due to an increased chance of improper handling. In such cases, alternatives such as shower curtains or grab bars should be considered.

GENERAL PREPARATION

- After opening all boxes and packages, read this introduction carefully. Check that all the items are included in the package by marking off the components on the **"Detailed Diagram of Product Components"** page. Examine all boxes and packages for shipping damage. If the unit has been damaged, has a finishing defect, or is missing parts; please contact our Customer Support department within 3 business days of the delivery date. **Please note that DreamLine® will not replace any damaged products or missing parts free of charge after 3 business days or if the product has been installed.** Please contact DreamLine® if you have any questions.
- **Please note that you should refer to your local building codes with questions on installation compliance standards. Building and plumbing codes may vary by location, and DreamLine® is not responsible for code compliance standards for your project and will not accept any returns.**
- If this unit is going to be installed in a new construction, install all the required plumbing and drainage before installing the shower. **Use a competent and licensed (if required by local code) plumber for all plumbing installation.**
- Make sure that prior to beginning the installation, the surfaces are leveled and solid and will be able to support the total weight of the unit. Also make sure the walls are at right angles. Irregular installation surface level, radius corners or improper angle of side walls will result in serious problems for your installation. Please note that some adjustments and drilling will be necessary during the installation process.
- Protect all primary surfaces of the product during installation. Never set your glass down directly onto a tile floor. Leave corner protectors in place until it is necessary to remove them. Always use a piece of wood or cardboard to protect the bottom edge and corners of the glass prior to and during installation.
- This unit must be installed upon a finished threshold and against finished walls.
- *DreamLine® shower doors are not designed to be installed into a fiberglass surround due to the radius corners and lack of a solid surface to mount the hardware.*

WARNING: TO AVOID THE RISK OF DAMAGE OR INJURY:

- **Follow all recommendations and requirements as shown in the installation instructions.**
- Perform a thorough inspection of the glass and all parts for any damage prior to installation. Any damage to tempered glass can cause breakage. **Do Not install damaged glass!**
- Do Not install or operate a shower or tub door if the glass has chipped corners, slivered edges or is otherwise damaged. Do Not install or operate a shower or tub door that has been dropped or banged into a hard surface such as tile, marble or glass.
- **CAUTION:** Contact with any hard surface can damage tempered glass and cause it to shatter.
- This product uses tempered glass. Glass cannot be cut after it has been tempered. **Do Not attempt to cut tempered glass.**
- DreamLine® Glass Shower doors, Tub doors, Inline panels, and Return panels can shatter due to improper handling or lack of maintenance. Conduct periodic inspections of glass and all parts for possible damage, missing or loose parts.
- Always wear proper safety equipment such as: safety goggles, work gloves and appropriate footwear during the installation process.
- **WARNING. Risk of leakage and/or damage.** Follow all instructions regarding the application of silicone sealant or caulk. Allow 24 hours for the sealant to cure before the initial use of the shower or tub product. Follow the silicone manufacturer's recommendations regarding the use of their product.
- **Thoroughly read these instructions before installing or using this product.**
- **Leave this manual for the end-user of the product.**



This product should be installed by someone familiar with the construction requirements for this type of project and the care necessary for the safe installation and operation of the product.

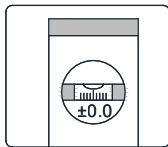


Professional Installation recommended

Model Specific Preparation

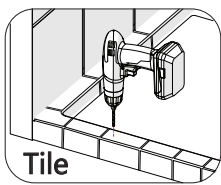
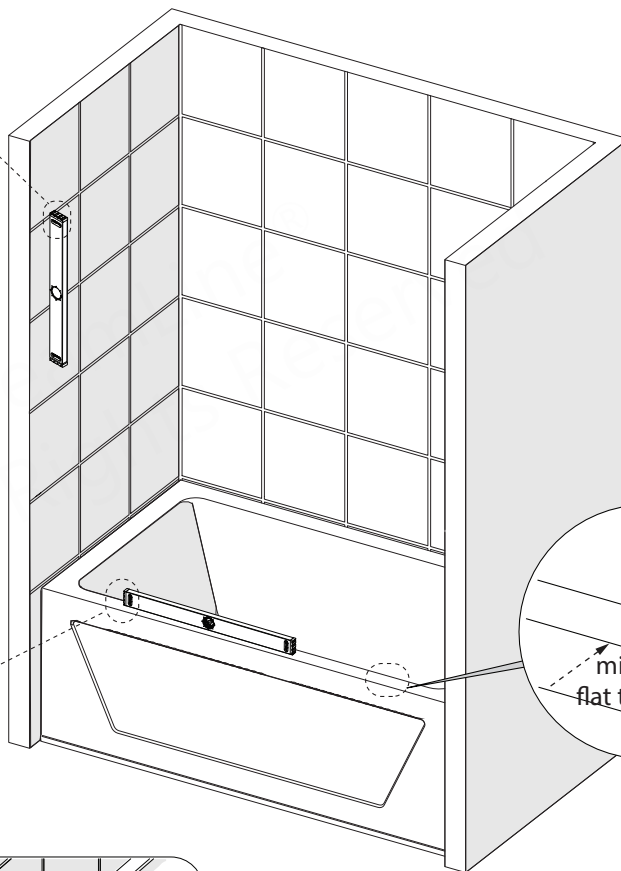
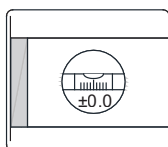
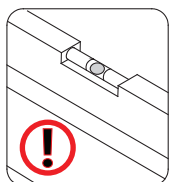
! REQUIRED:

3/8" Out-of-Plumb Adjustment at Wall Profile. DO NOT EXCEED this amount.

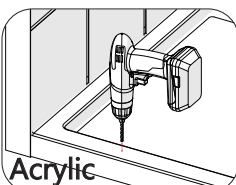


Verify tub deck and walls with a level

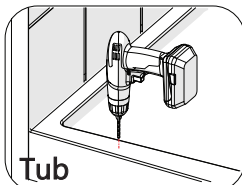
Threshold must be level



Tile



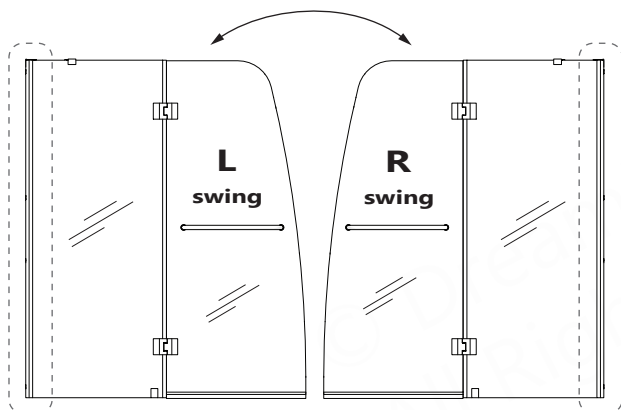
Acrylic



Tub

NOTE

Contact the manufacturer of the base, tub or threshold material with any questions regarding the drilling of holes into their product.



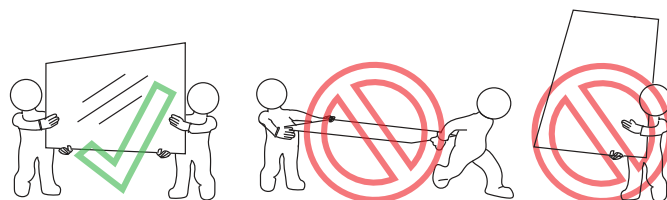
DO NOT attach the towel bar to the door glass until instructed.
DO NOT use the towel bar to lift the glass during installation. This may result in damage to the glass and/or serious injury. Always use an assistant or a professional grade glass suction cup when handling heavy glass.
NOTE: The Towel Bar is NOT a grab bar.

NOTE

This model is reversible for right or left swing door installation. The left swing door installation is shown as an example throughout this manual. For the right swing door installation, simply begin on the opposite wall and reverse the orientation of the installation steps shown.

NOTE

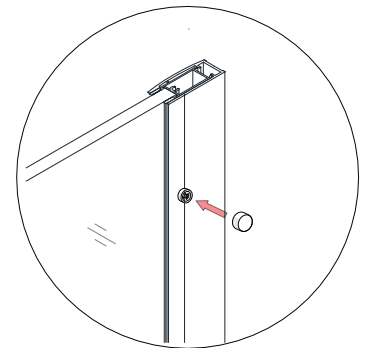
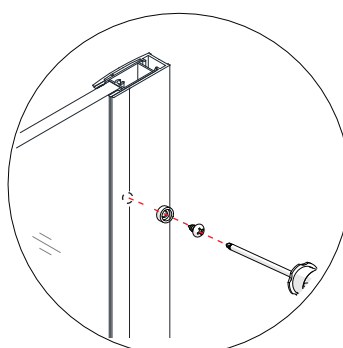
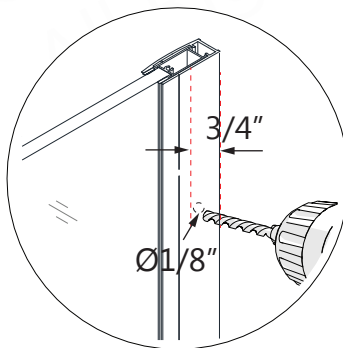
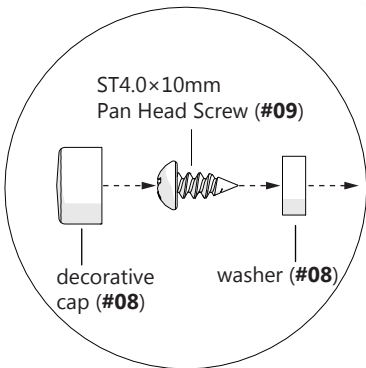
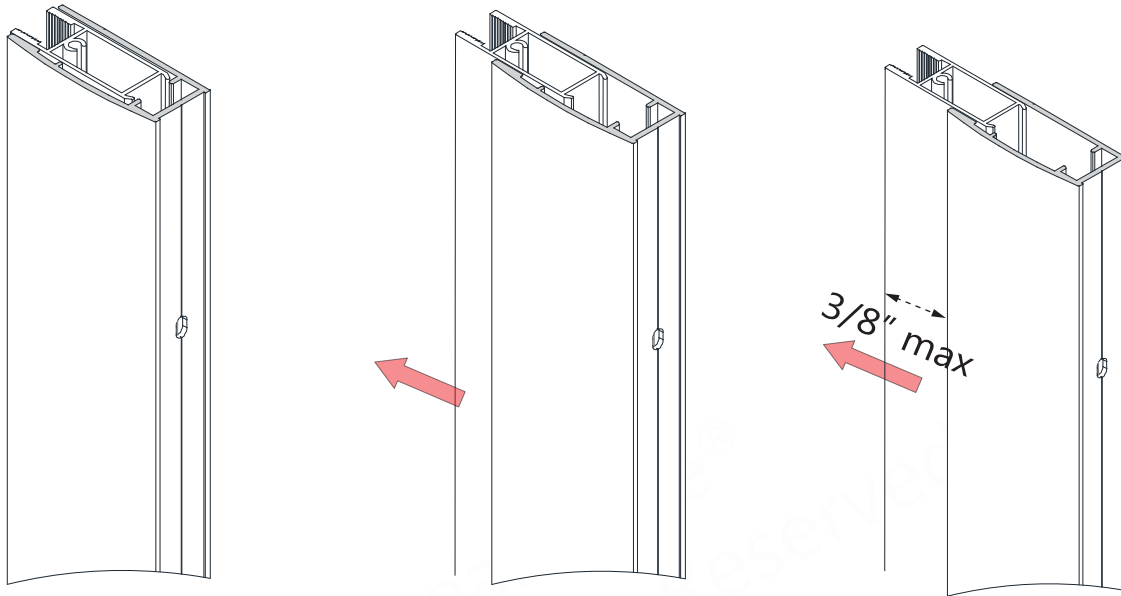
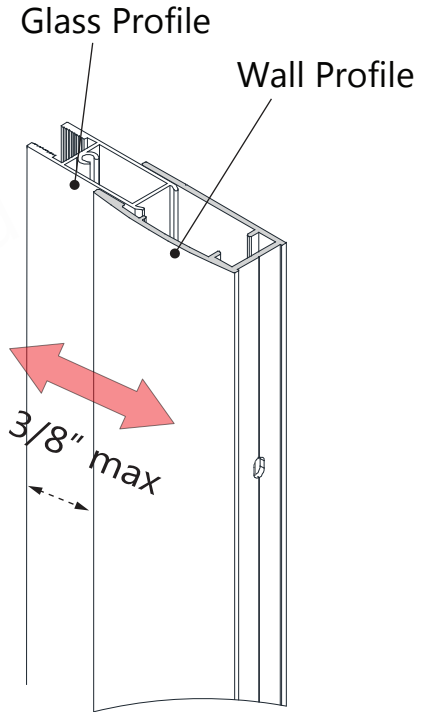
Professional installation with two installers is recommended for this product.



Adjustable Wall Profile System



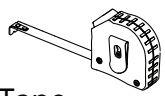
The Glass Profiles can be adjusted within the Wall Profiles for overall width or to correct for out-of-plumb conditions within the model size. Screw them together after making final adjustments.



Tools



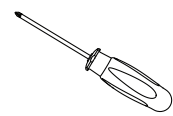
Level



Tape Measure



Pencil



#2 Phillips Screwdriver



Power Drill



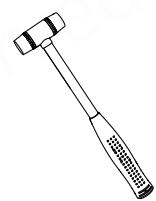
Drill Bit
Ø1/8"
(3mm)



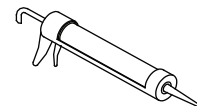
Drill Bit
Ø5/16"
(8mm)



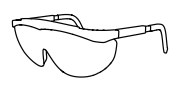
Razor Knife



Rubber Mallet



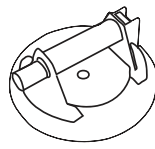
100% Silicone*



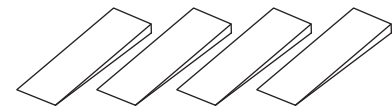
Safety Glasses



Work Gloves



Professional-grade
Glass Suction Cup
(Optional but recommended)



Wood or Plastic
Shims



Verify that the correct model size has been ordered; measure the finished opening **before** proceeding with the installation.

Confirm that the finished walls are plumb and the threshold is level and pitched into the shower area.

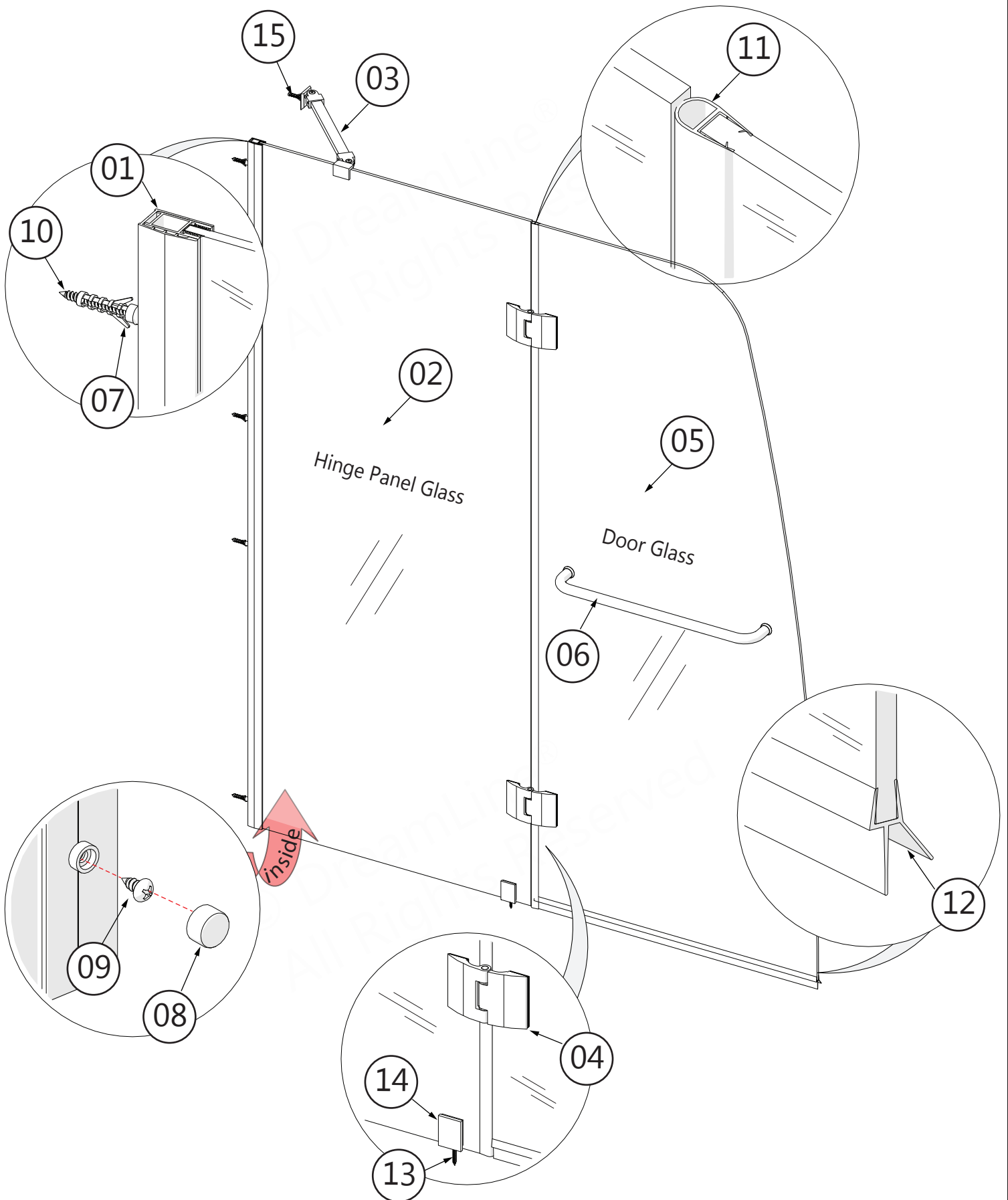
Cover the shower/tub drain with tape prior to installation to prevent the loss of screws or small parts.

Use a type of drill bit that is appropriate for drilling into the finished surface material.

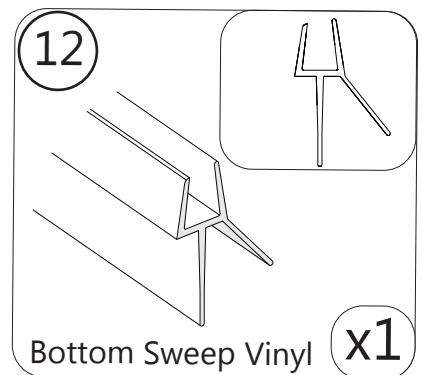
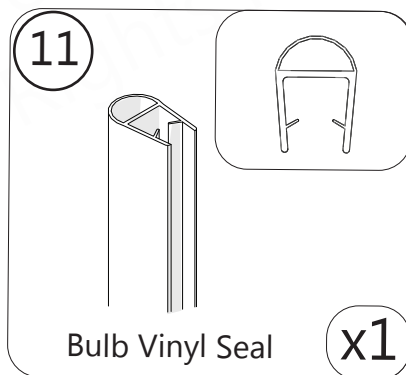
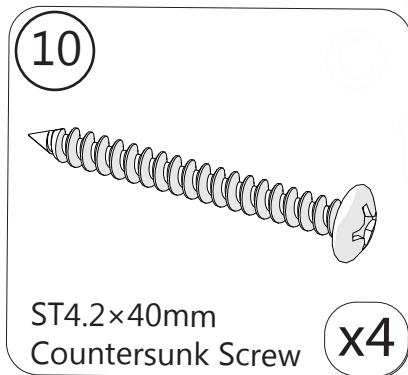
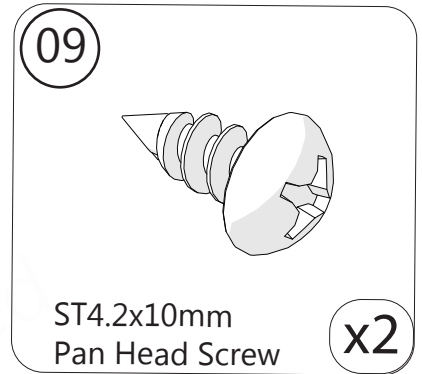
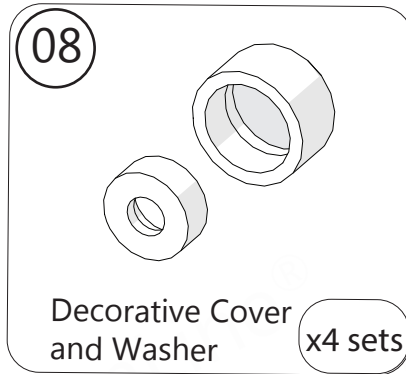
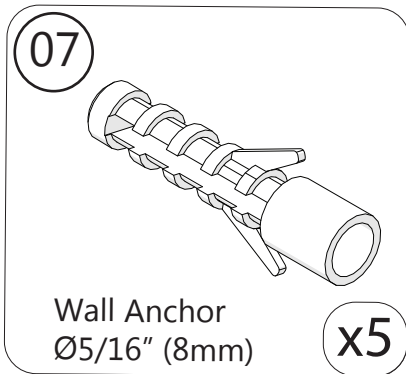
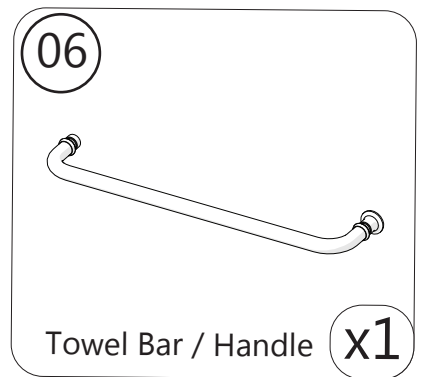
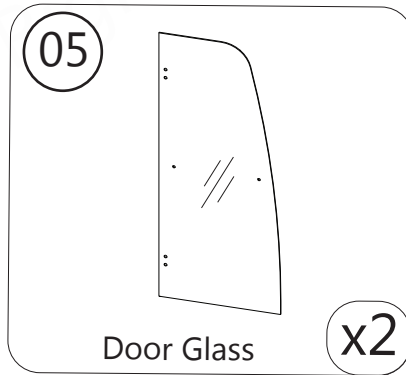
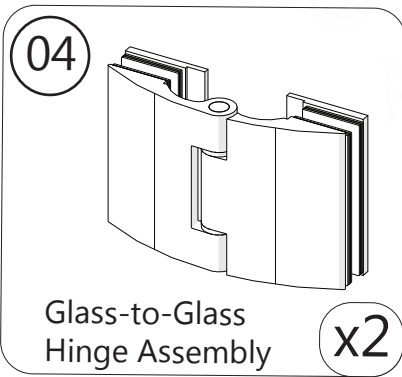
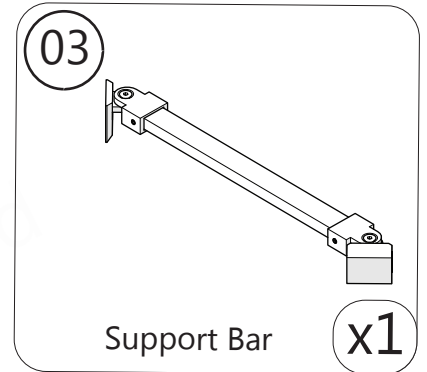
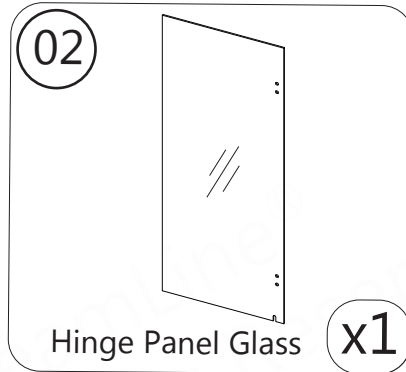
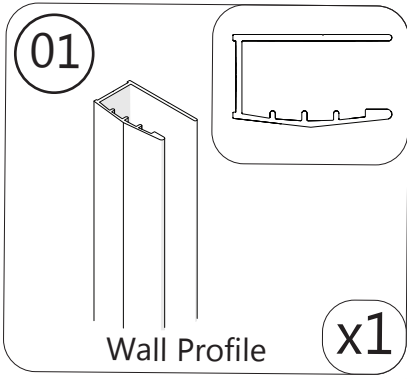


Unpack your unit carefully and inspect it. Lay it out and identify all parts using the Detailed Diagram on page 6; and packing list in this manual as a reference. Before discarding the carton, check for small hardware bags that may have fallen to the bottom of the box. If any parts are damaged or missing, please contact DreamLine® for replacement. The shipping boxes may contain extra parts not used in your model configuration. Retain these installation instructions for future reference.

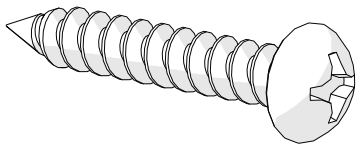
Detailed Diagram of AQUA Tub Door Components



Parts List



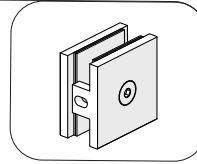
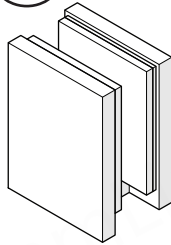
13



ST4.2x25mm
Pan Head Screw

x1

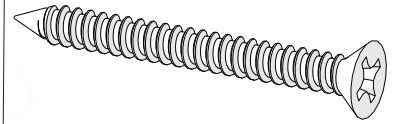
14



Bottom Bracket

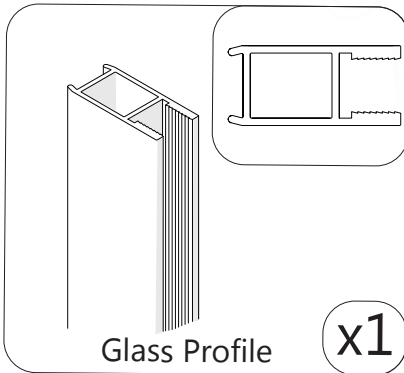
x1

15



ST4.2x40mm Flat
Head Countersunk
Screw

x1



Glass Profile

x1

1

Hinge Panel Glass Warning



The hinge panel glass must be properly installed and secured to support the weight of the door glass!
Failure to follow these steps may result in the hinge panel glass pulling out of the Wall Profile!
Allow the silicone to fully cure for the Hinge Panel Glass before installing the Door Glass!

IMPORTANT STEPS TO FOLLOW:

- Use a good quality, mildew-resistant clear silicone caulk. A quick-drying or fast-curing silicone is recommended for the installation of the hinge panel glass into the glass profile
- Apply enough silicone into the Glass Profile to secure the panel glass
- Fully tighten the Support Bar during the installation of hinge panel glass (Step 8)

Apply 100% clear silicone into the entire length of the channel of the **Glass Profile** and firmly attach it to the edge of the **Panel Glass (#02)**. Make sure the **Glass Profile** is flush with the top and bottom of the **Panel Glass (#02)**. **Tape the Glass Profile to the glass to keep it from slipping.** Carefully set the **Panel Glass (#02)** assemblies aside. (Fig 1)



Allow the silicone to cure before proceeding with the installation.



If the Glass Profile fit is too tight over the Panel Glass, use a rubber mallet and a piece of wood to gently tap on the glass profile. Never use a metal hammer or tap the profile without a wood bumper.

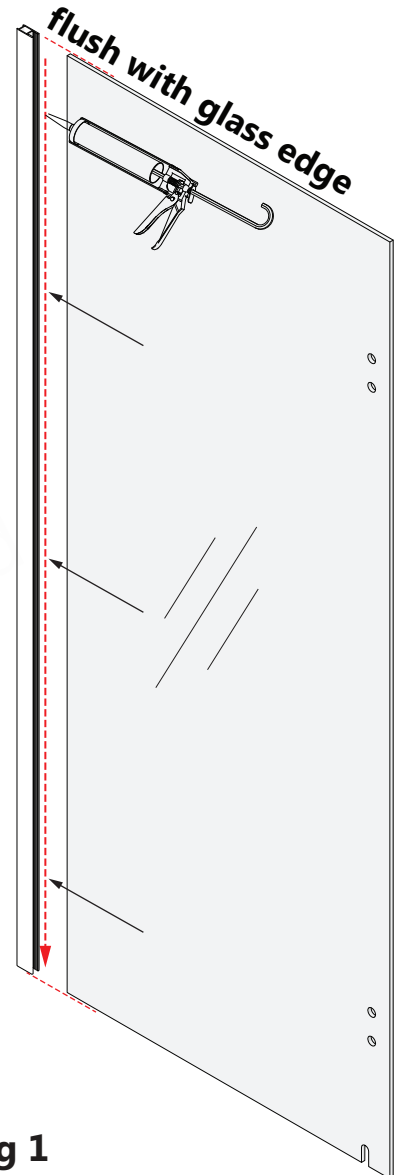
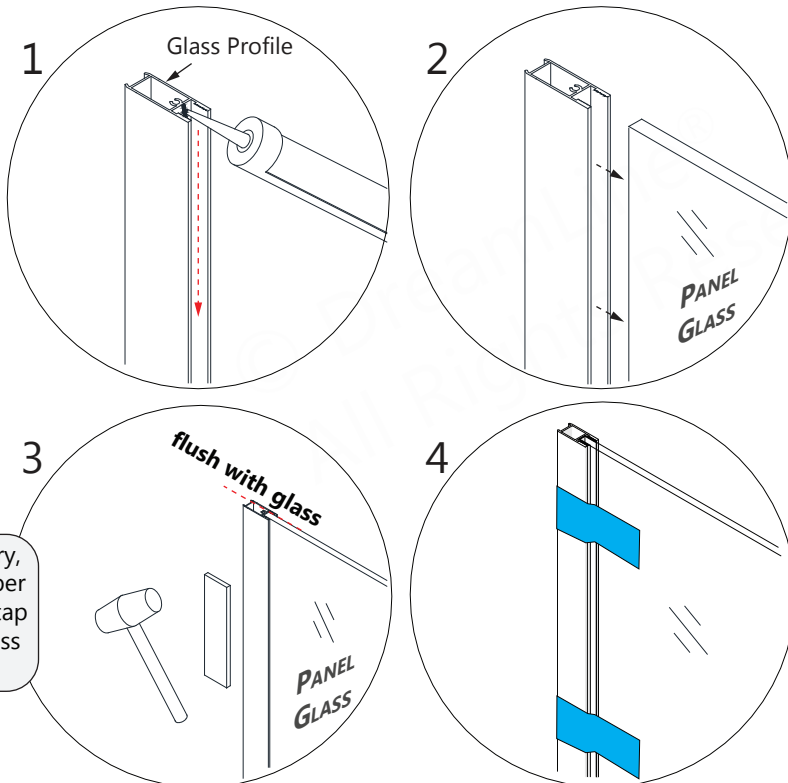


Fig 1

2

Installation Steps

NOTE

Confirm the walls are plumb and the threshold/tub deck are level.

Mark the holes for drilling on the wall through the holes in the **Wall Profile (01)**

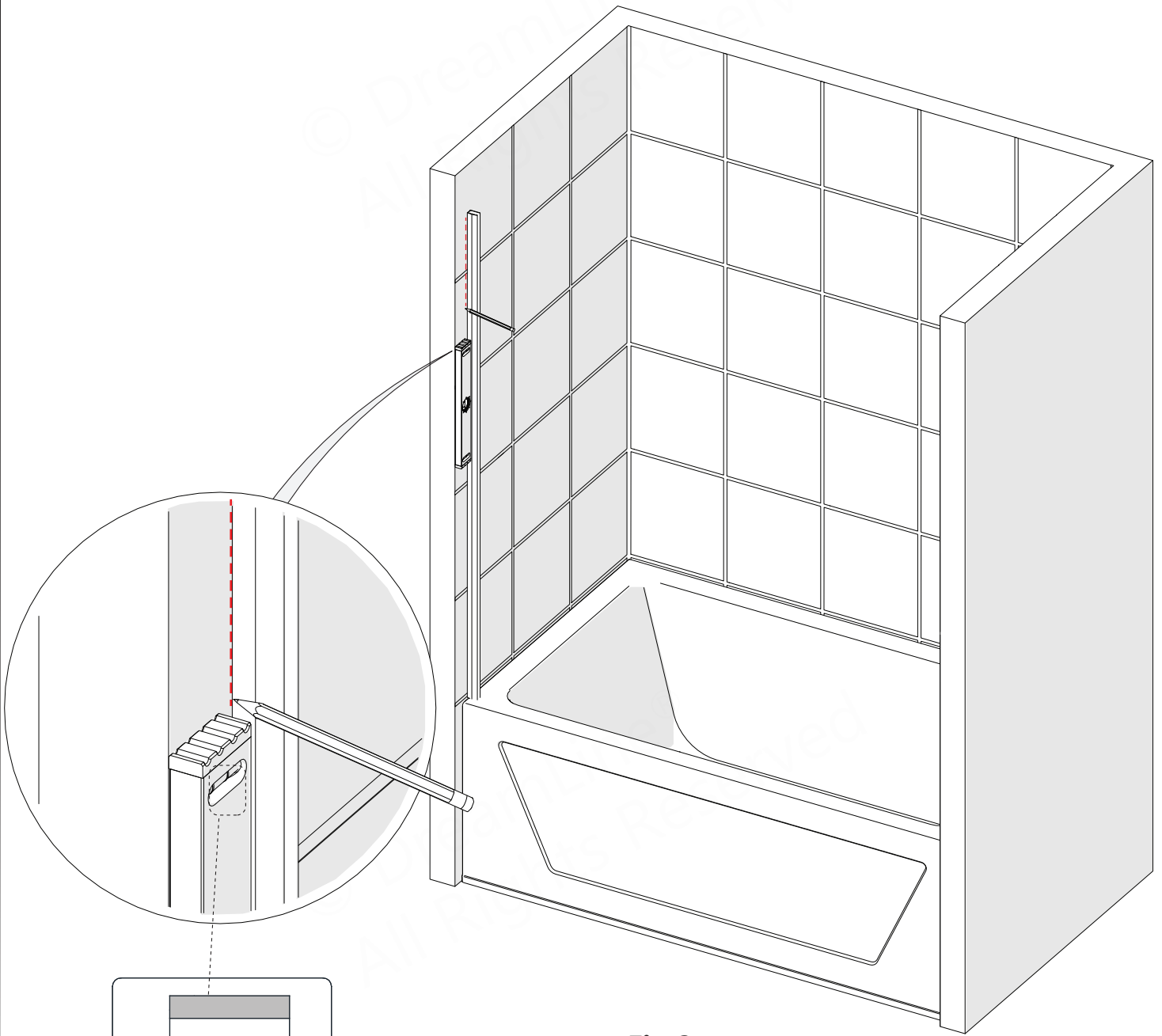
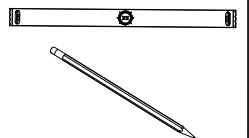
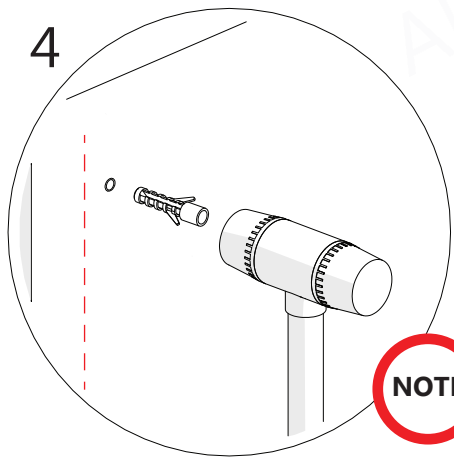
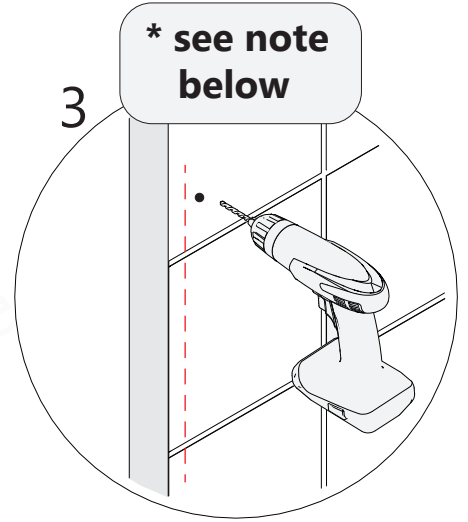
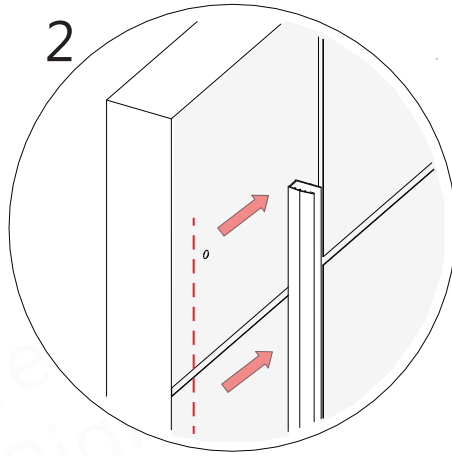
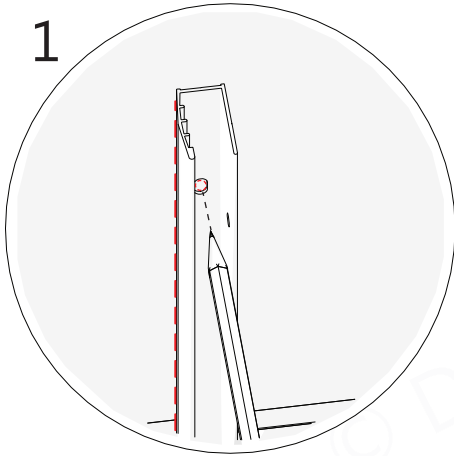


Fig 2

Tools Needed



3



NOTE Apply silicone to the back of the Wall Profile

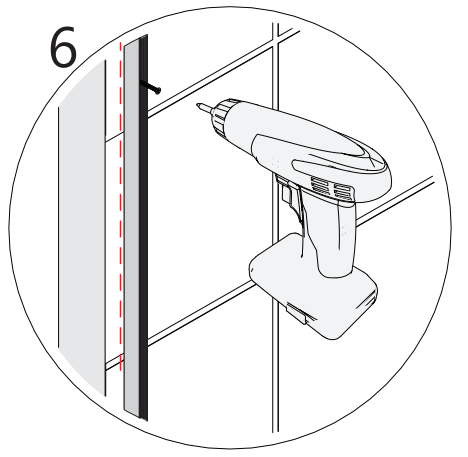
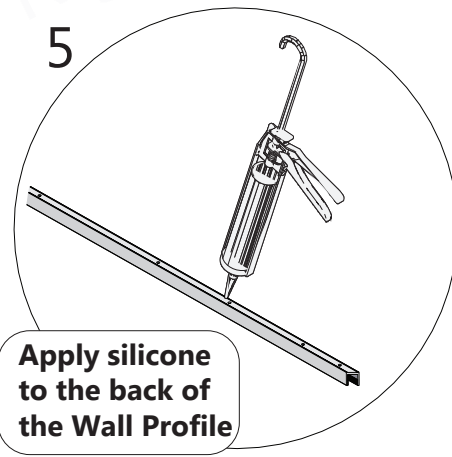
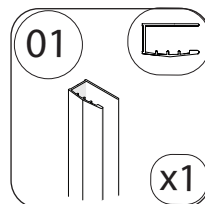
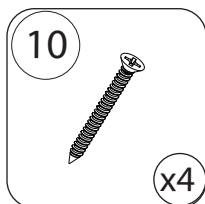
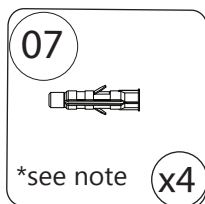


Fig 3

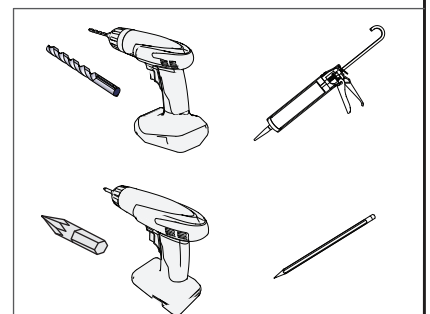
NOTE

- **If a Stud is present behind the wall:**
drill a $\text{Ø}3/16''$ (4mm) hole up to the stud, drill an $\text{Ø}1/8''$ (3mm) pilot hole into the stud and use the **ST4.2 x 40mm Countersunk Screws (#10)**
- OR
- **If No Stud is present behind the wall:**
drill a $\text{Ø}5/16''$ (7mm) hole and insert the **Wall Anchors (#07)** and use the **ST4.2 x 40mm Countersunk Screws (#10)**.

Parts Needed



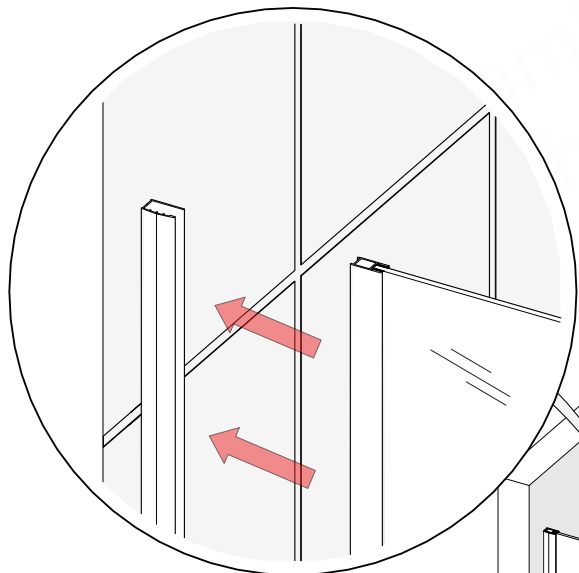
Tools Needed



4



Be sure the silicone from **Step 1** has set before proceeding.



NOTE

Slide the **Hinge Panel Glass (#02)** into the groove of the **Wall Profile (#01)**.

NOTE

The Glass Profile can be adjusted within the Wall Profile at this point to correct for out-of-plumb conditions. The maximum adjustment amount is 3/8".

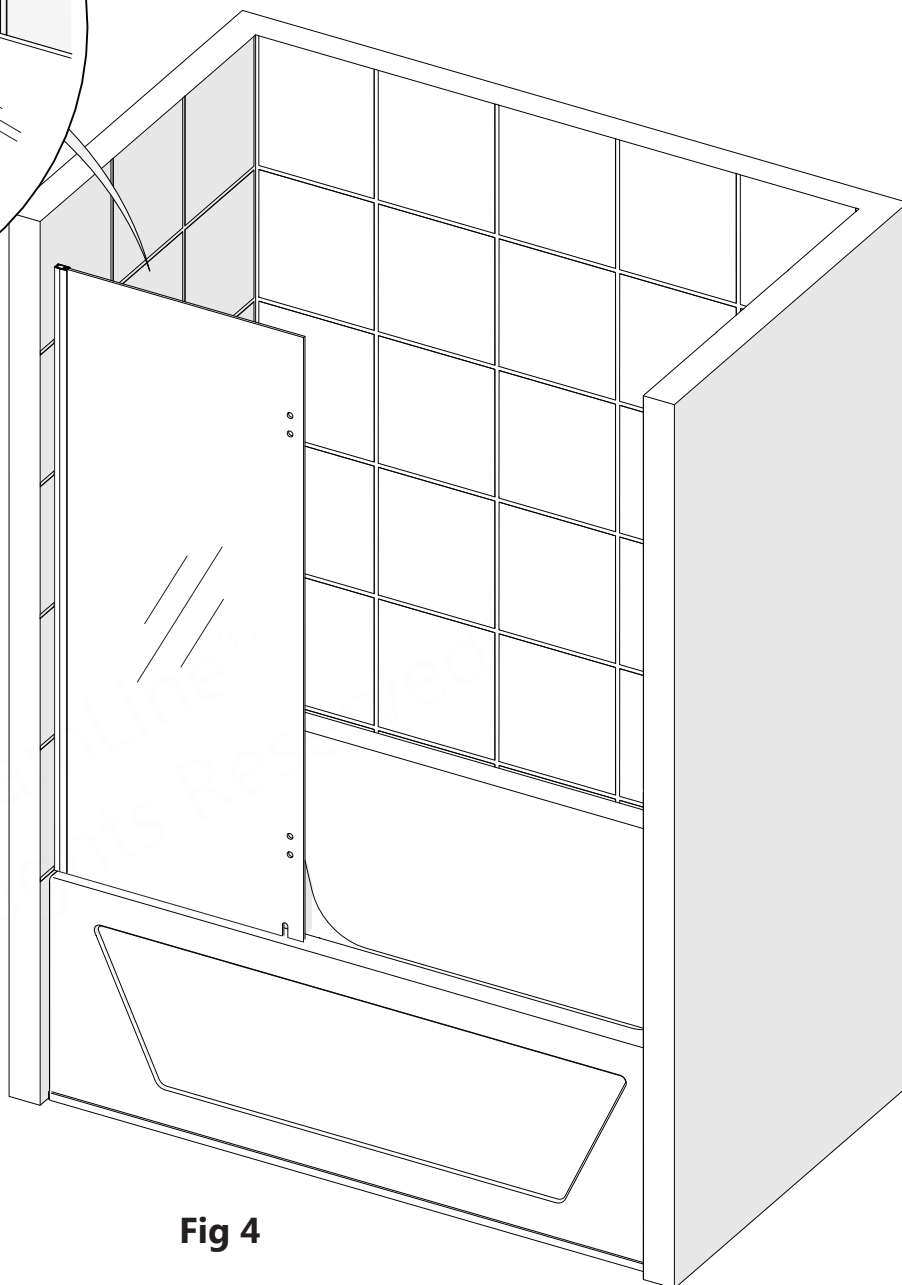
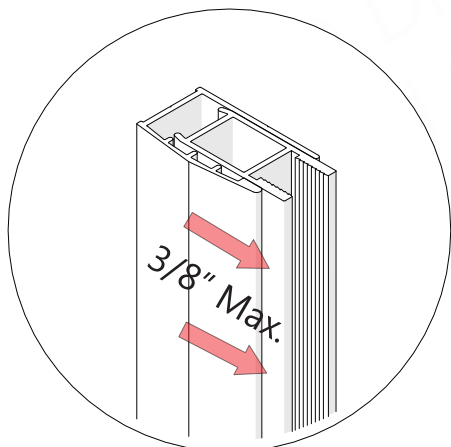


Fig 4

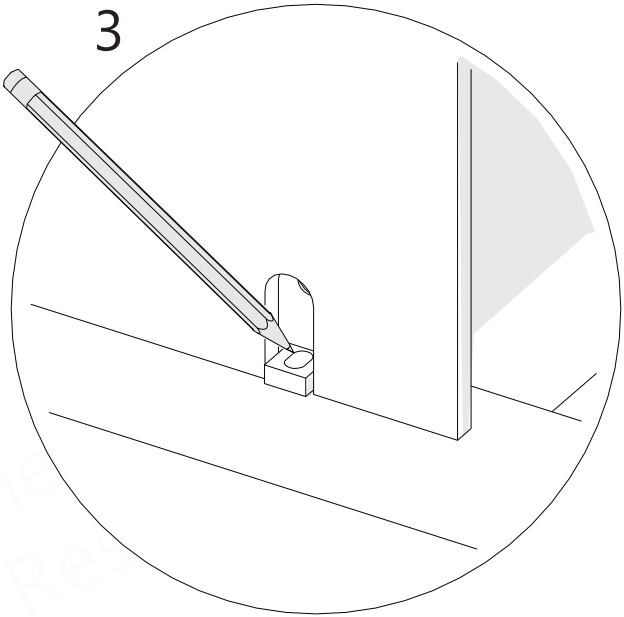
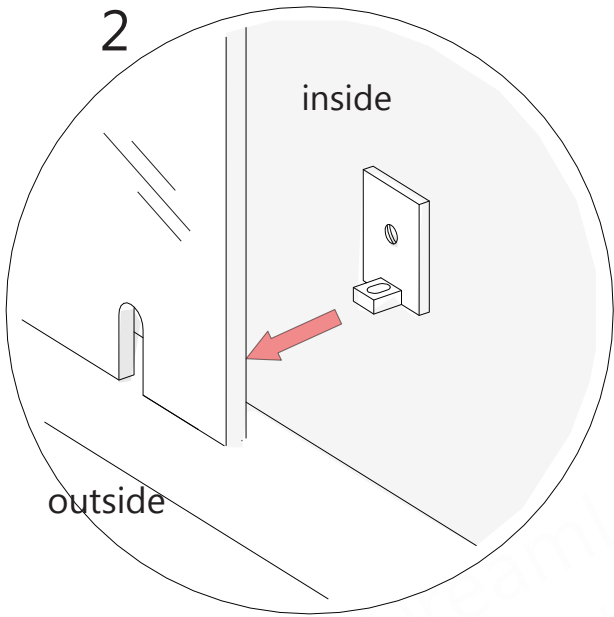
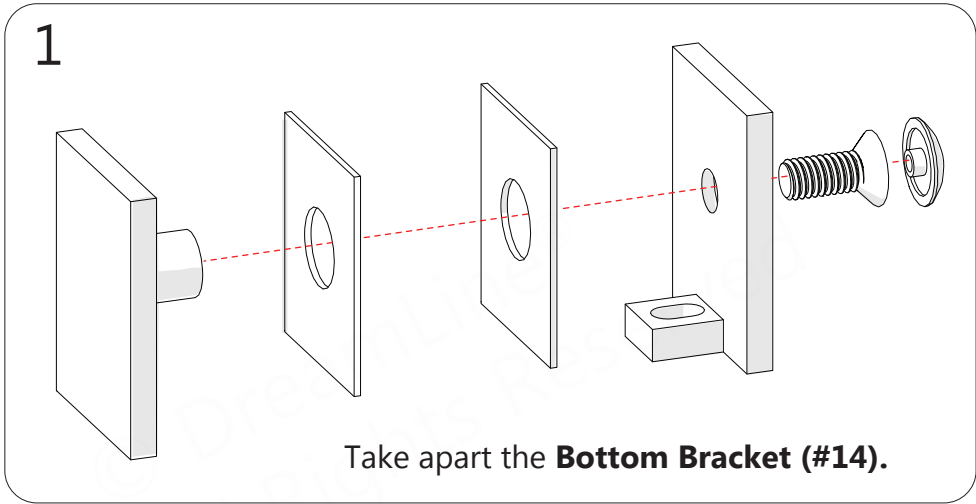
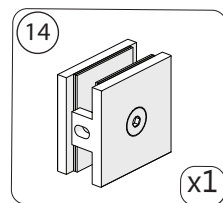
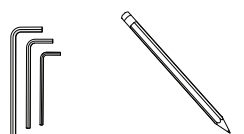


Fig 5

Parts Needed



Tools Needed



6

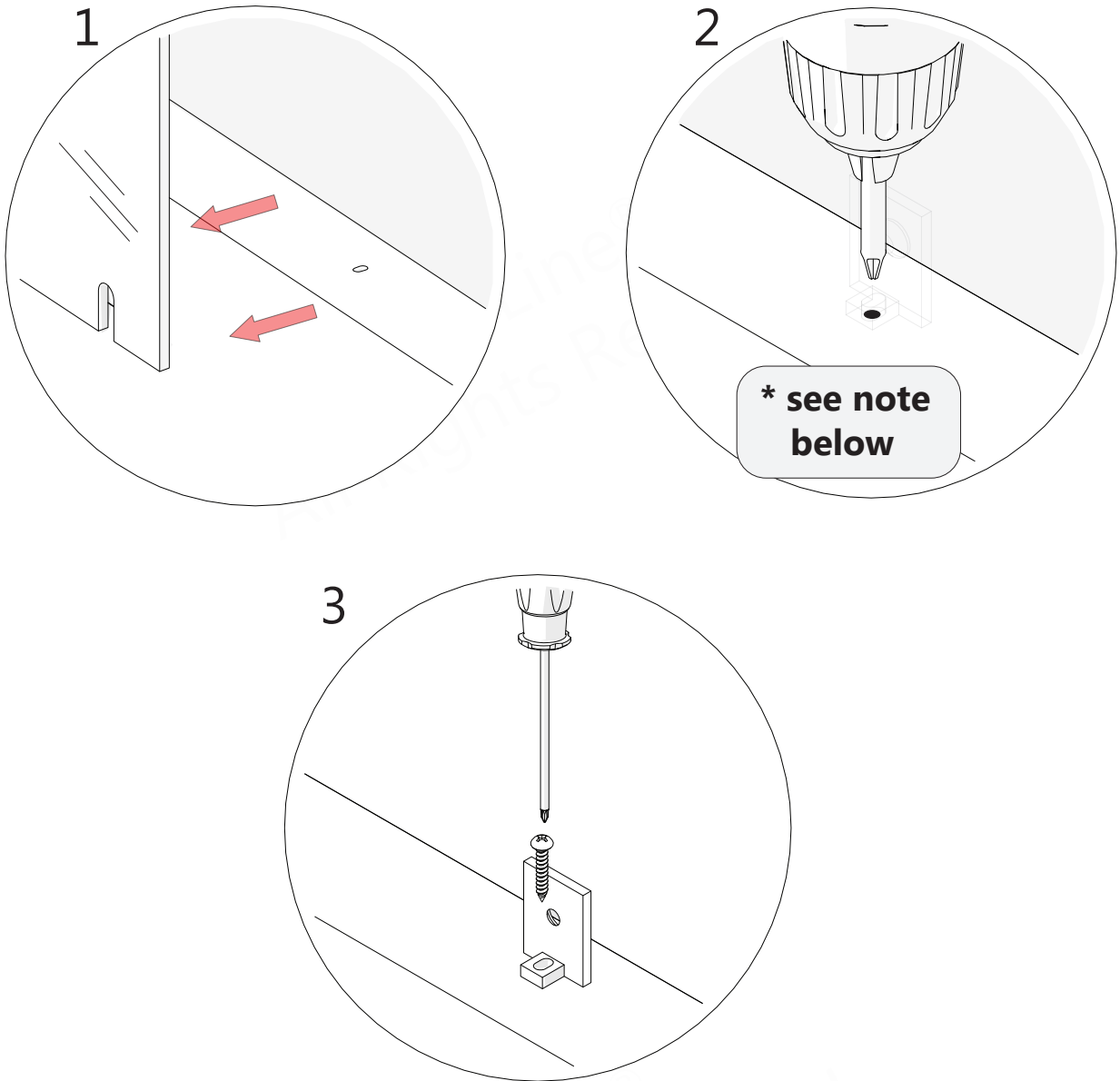
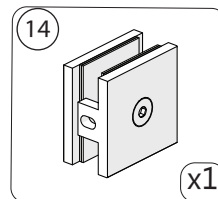


Fig 6

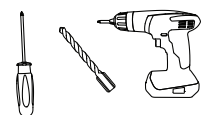
NOTE

- For installation into an **Acrylic Threshold**:
drill a **Ø1/8" (3mm)** hole and use the **ST4.2 x 25mm Pan Head Screws (#13)**
- OR**
- For installation into a **Tile Threshold**:
drill a **Ø3/16" (4mm)** hole to the stud, drill an **Ø1/8" (3mm)** pilot hole into the stud and use the **ST4.2 x 25mm Pan Head Screws (#13)**.

Parts Needed



Tools Needed



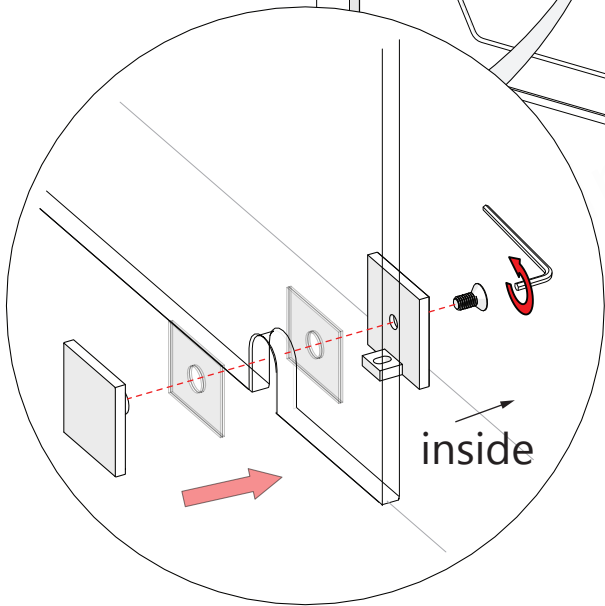
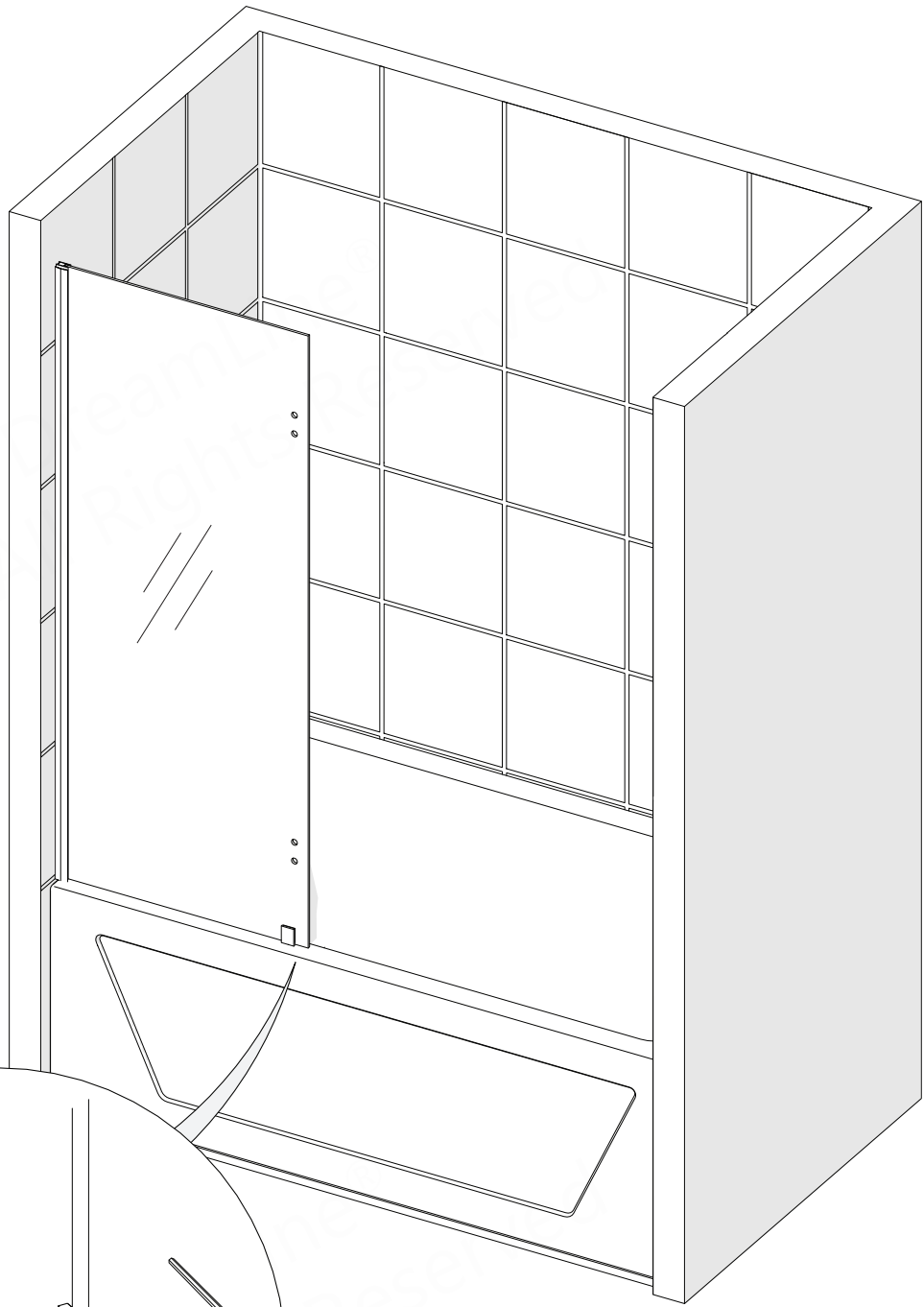
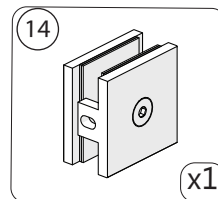


Fig 7

Parts Needed



Tools Needed



Support Bar Installation

NOTE

Adjust the **Support Bar (#03)** to an angle that will provide adequate support to the glass and the wall. Level it horizontally.

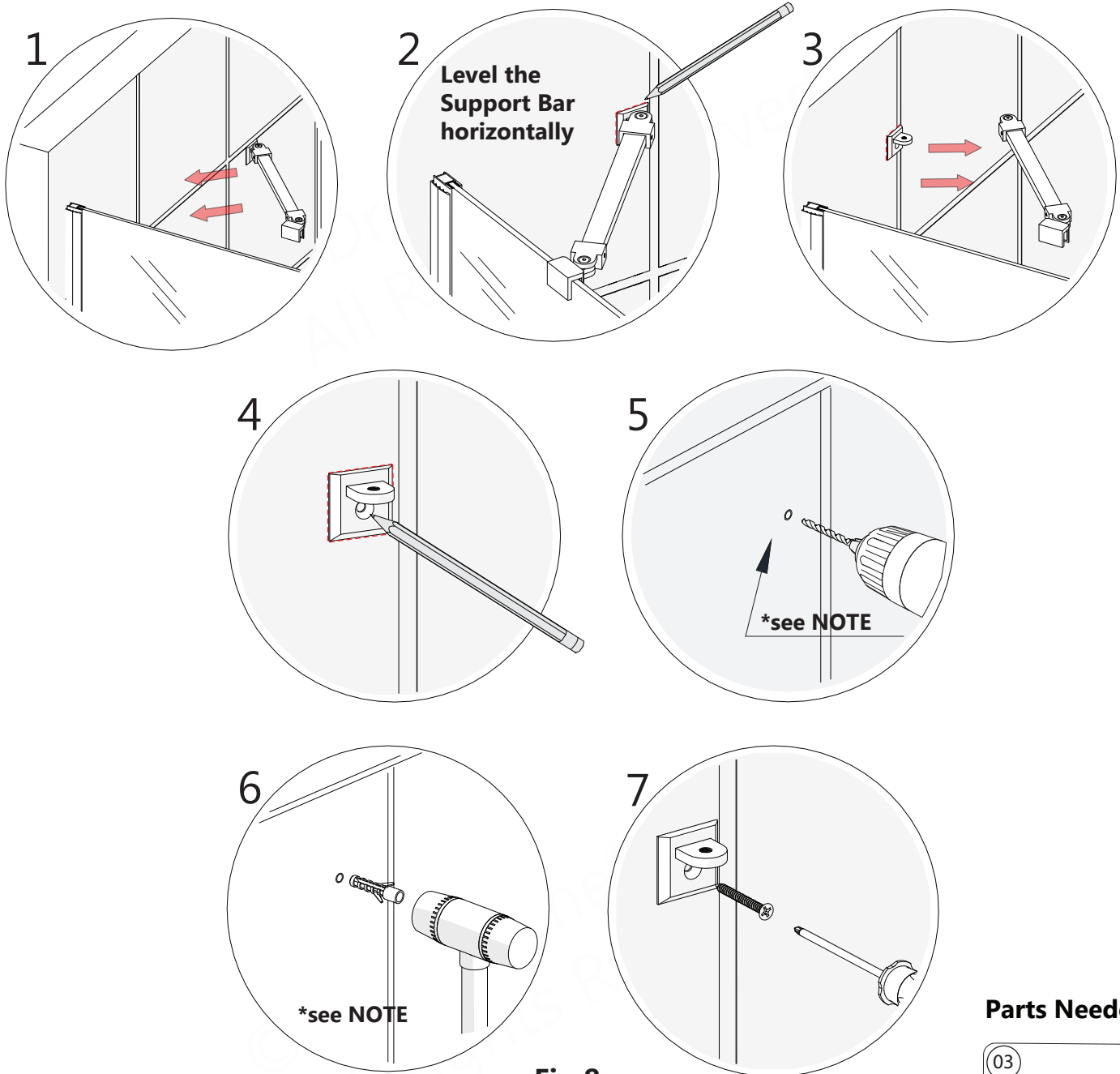


Fig 8

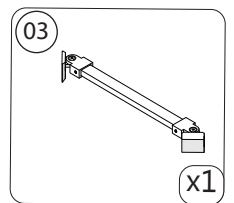
NOTE

▪ **If a Stud is present behind the wall:**
drill a $\text{Ø}3/16''$ (4mm) hole up to the stud,
drill an $\text{Ø}1/8''$ (3mm) pilot hole into the stud and use
the **ST4.2 x 40mm Countersunk Screws (#15)**

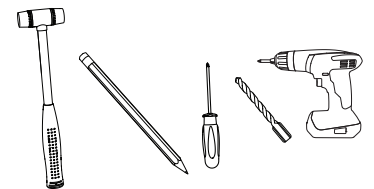
OR

▪ **If No Stud is present behind the wall:**
drill a $\text{Ø}5/16''$ (7mm) hole and insert the **Wall Anchors (#07)**
and use the **ST4.2 x 40mm Countersunk Screws (#15)**.

Parts Needed



Tools Needed



9

Support Bar Installation

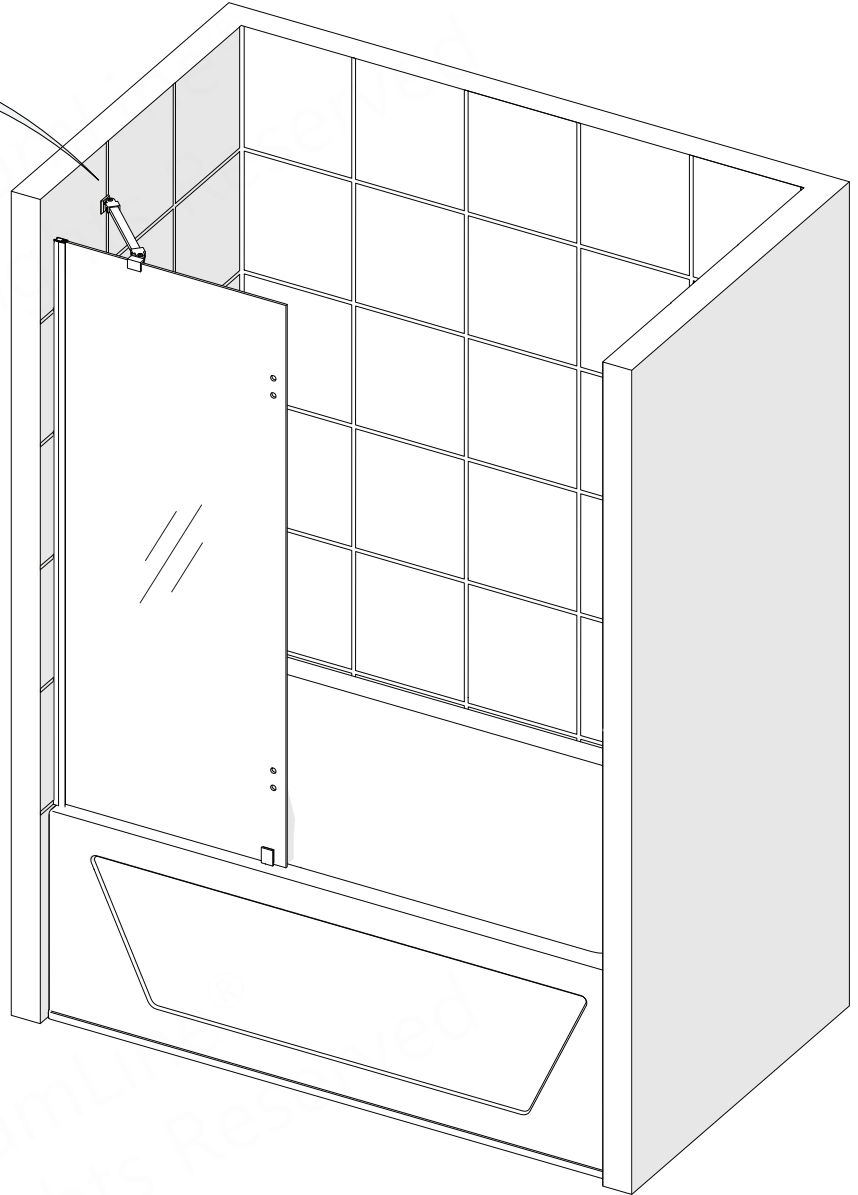
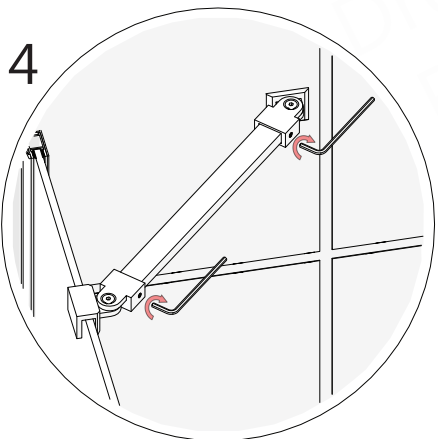
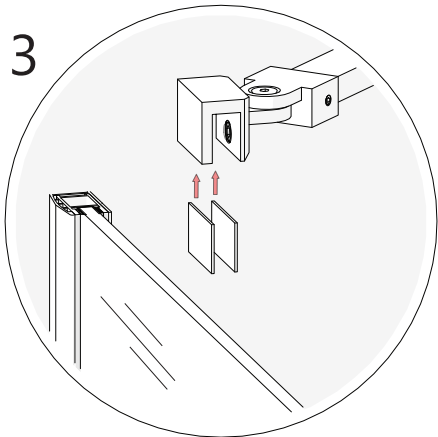
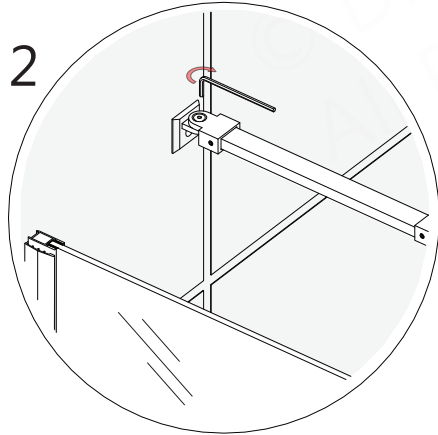
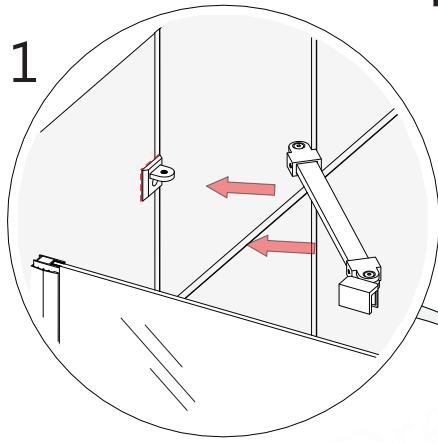
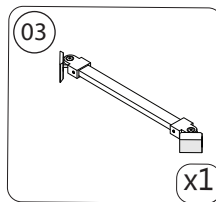


Fig 9

Parts Needed



Tools Needed



10

Glass-to-Glass Hinge Assembly Installation



Tighten the hinge bolts fully and evenly by hand. It is normal to hear the gaskets compressing onto the glass.

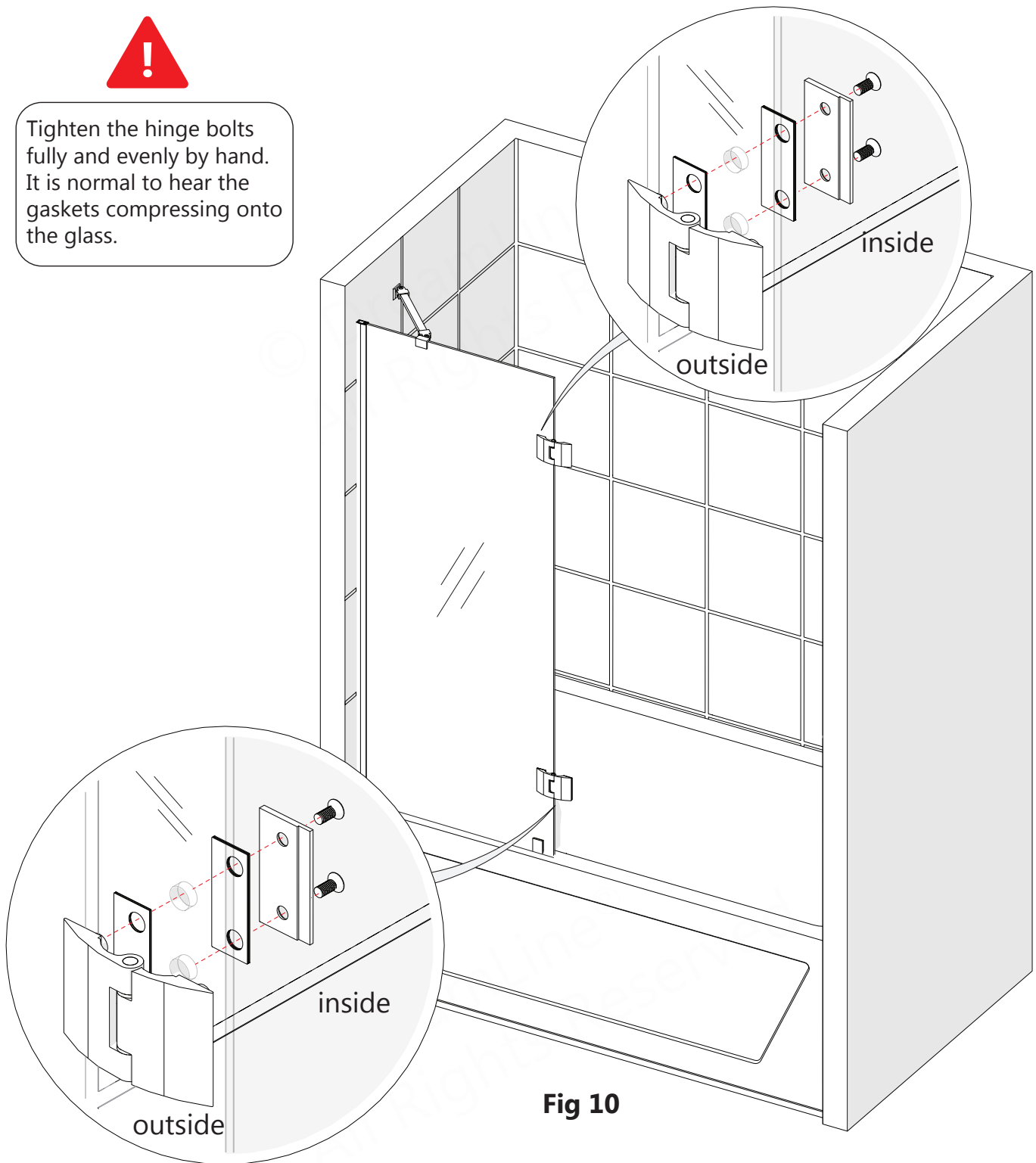
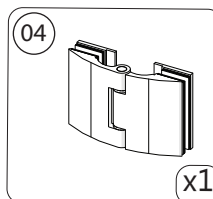


Fig 10



Do Not install the **Hinge Assembly (#04)** bolt decorative caps until final adjustments have been made. For more information on the **Hinge Assembly Adjustment Procedure**, see **Page 21**.

Parts Needed



Tools Needed



11

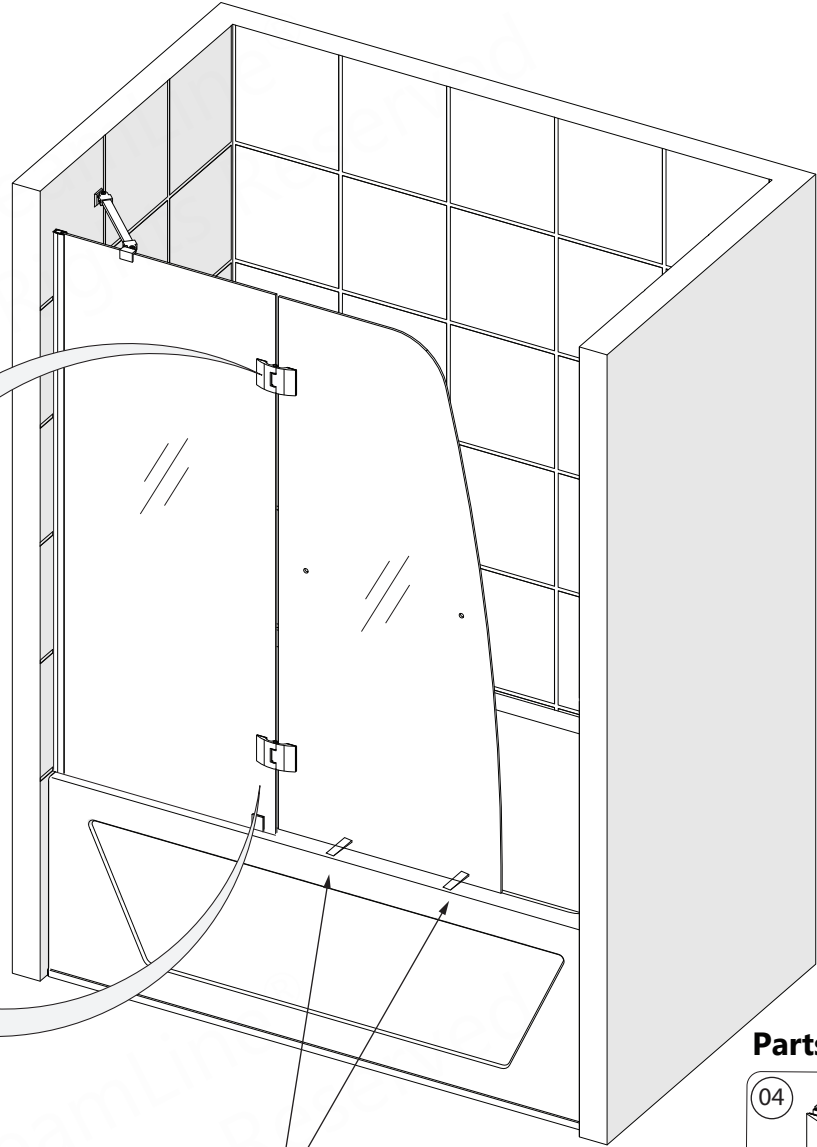
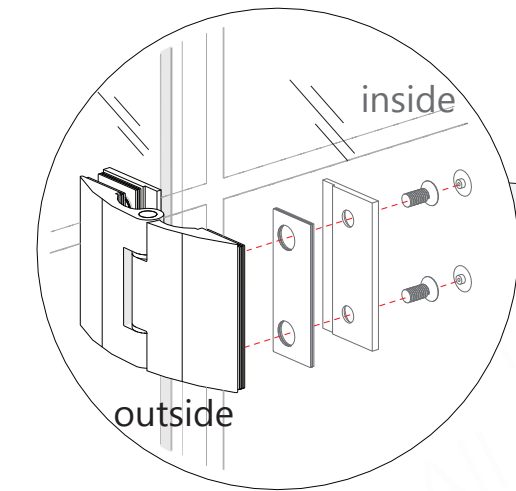
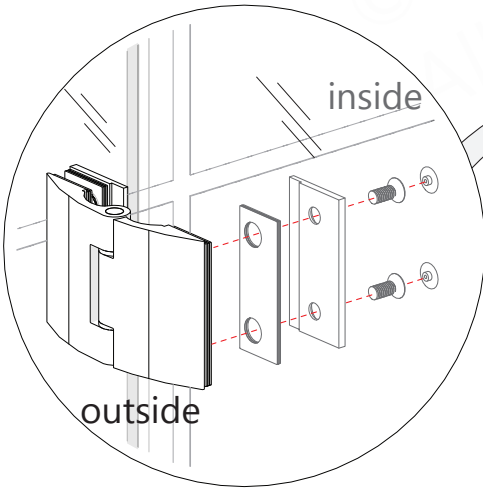
Door Glass Installation



NOTE: DO NOT attach the towel bar to the door glass until instructed. **DO NOT** use the towel bar to lift the glass during installation. This may result in damage to the glass and/or serious injury. Always use an assistant or a professional grade glass suction cup when handling heavy glass.



Fully and evenly tighten the hinge assembly bolts by hand. It is normal to hear the gaskets compressing onto the glass.



5/8" shims needed
(not included)

Parts Needed

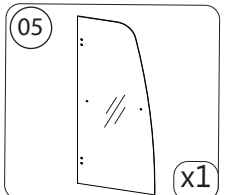
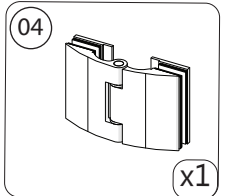
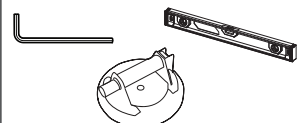


Fig 11



Use shims (wood or plastic/not included) to raise the **Door Glass (#05)** by 5/8" (16mm) when positioning the **Door Glass (#05)** to maintain the proper spacing between the bottom of the Door Glass and the threshold for the sweep vinyl.

Tools Needed



Towel Bar Installation

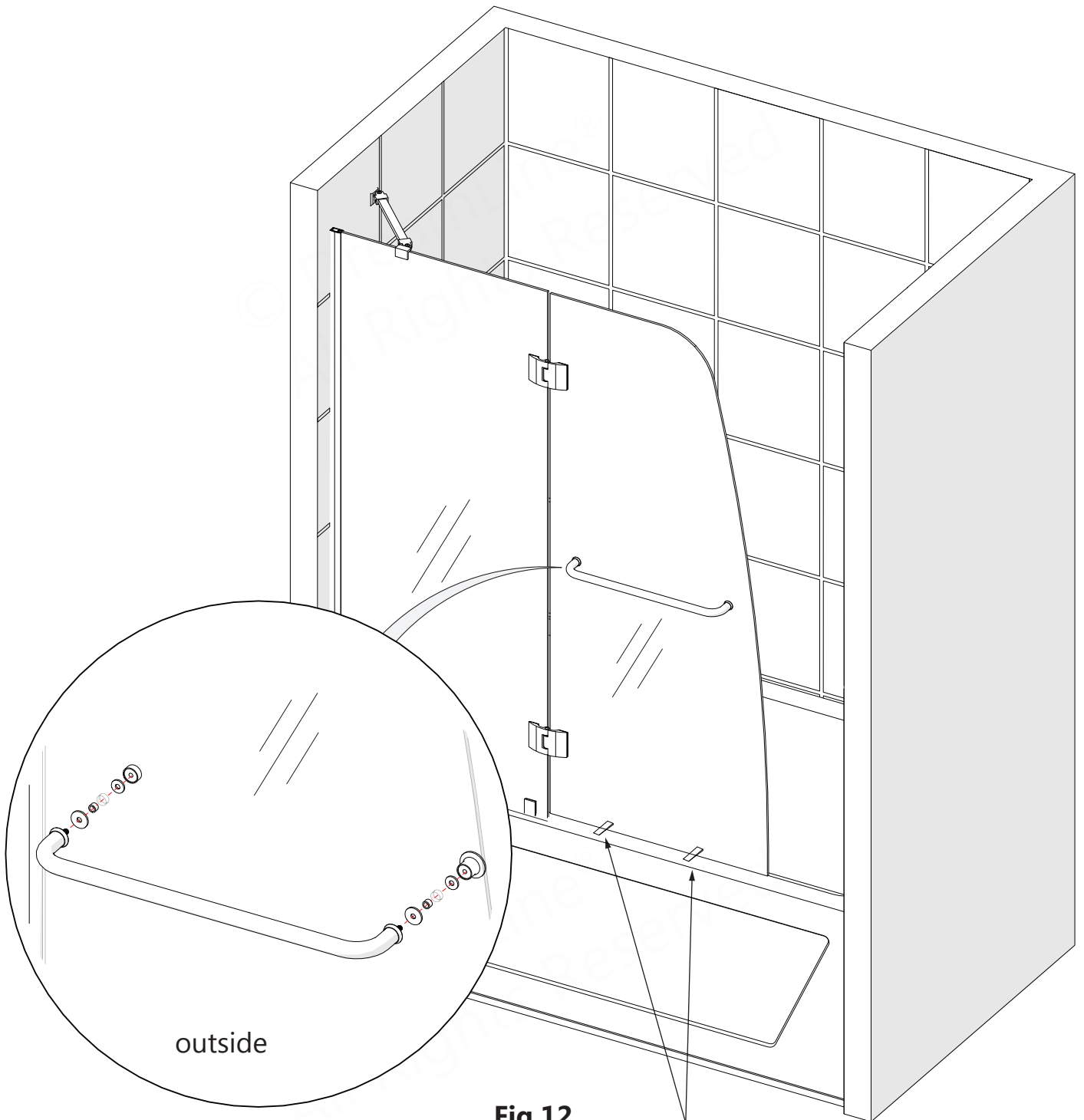


Fig 12

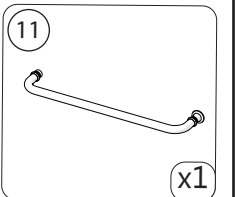
The shims can be removed at this point

NOTE



To prevent glass-to-metal contact, confirm the vinyl gaskets are present between the knobs and the glass.

Parts Needed



Vinyl Seals Installation

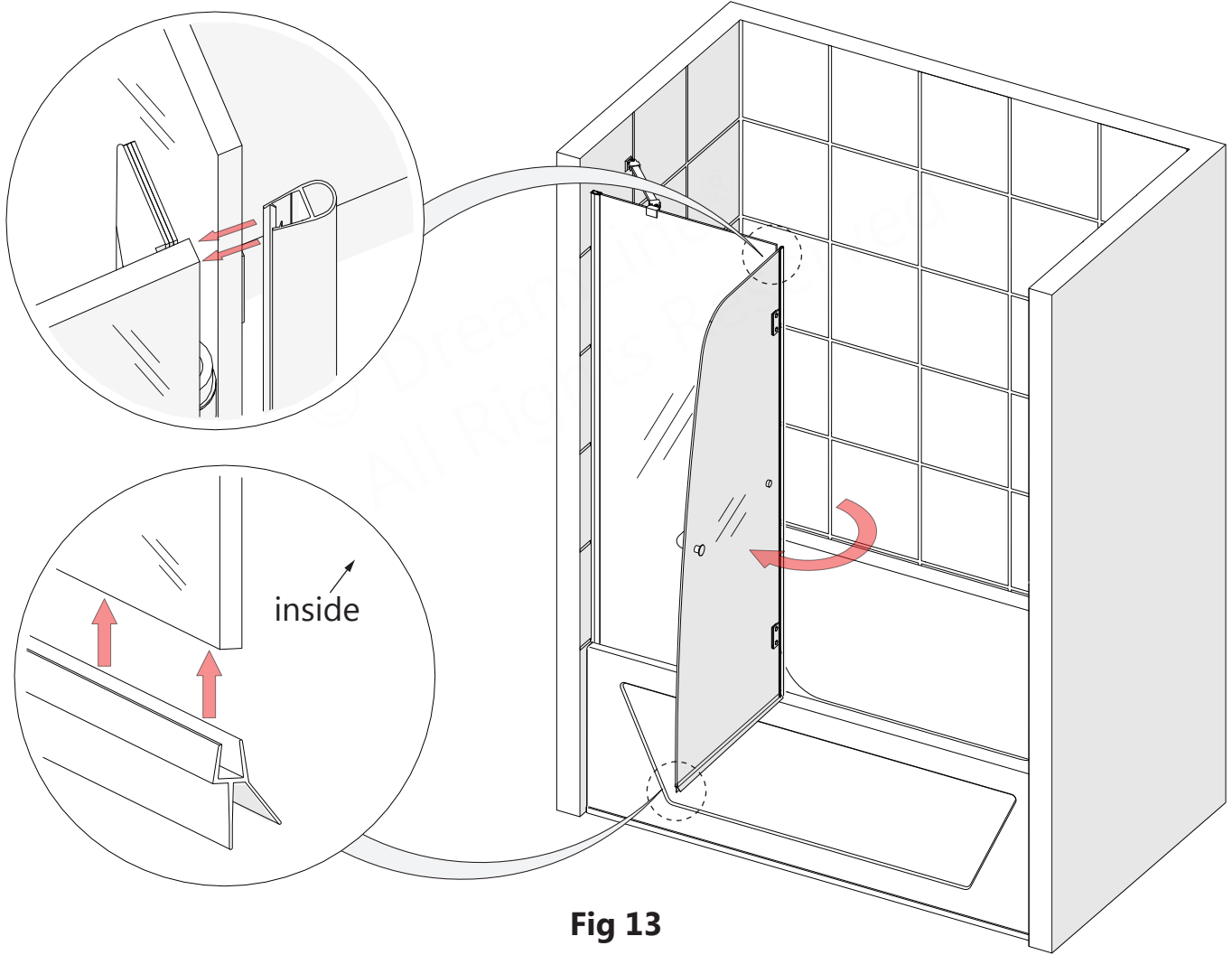


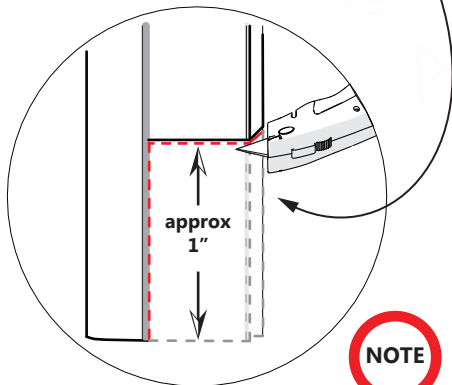
Fig 13



Use a razor knife to notch the **Bulb Vinyl Seal (#11)** to fit around the **Bottom Sweep Vinyl (#07)** as shown to prevent leakage in the corner.

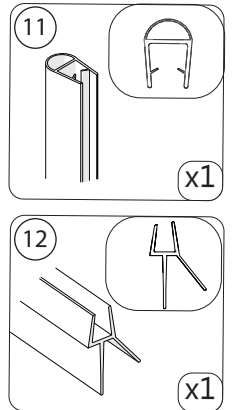


Notch the **Bulb Vinyl Seal (#11)** +/- 1" to fit around the **Sweep Vinyl (#07)**



If necessary, trim the **Sweep Vinyl (#07)** to the width of door glass. The Sweep Vinyl should always span the entire width of the **Door Glass**.

Parts Needed



Tools Needed



Decorative Caps Installation



Drill $\text{\O}1/8''$ holes through the pre-drilled holes in the **Wall Profile (#01)**. Drill only through the **first layer** of the **Glass Profile** and install the **ST4.2x10mm Pan Head Screws (#09)** using the **Decorative Cover and Washer (#08)** Fig 14

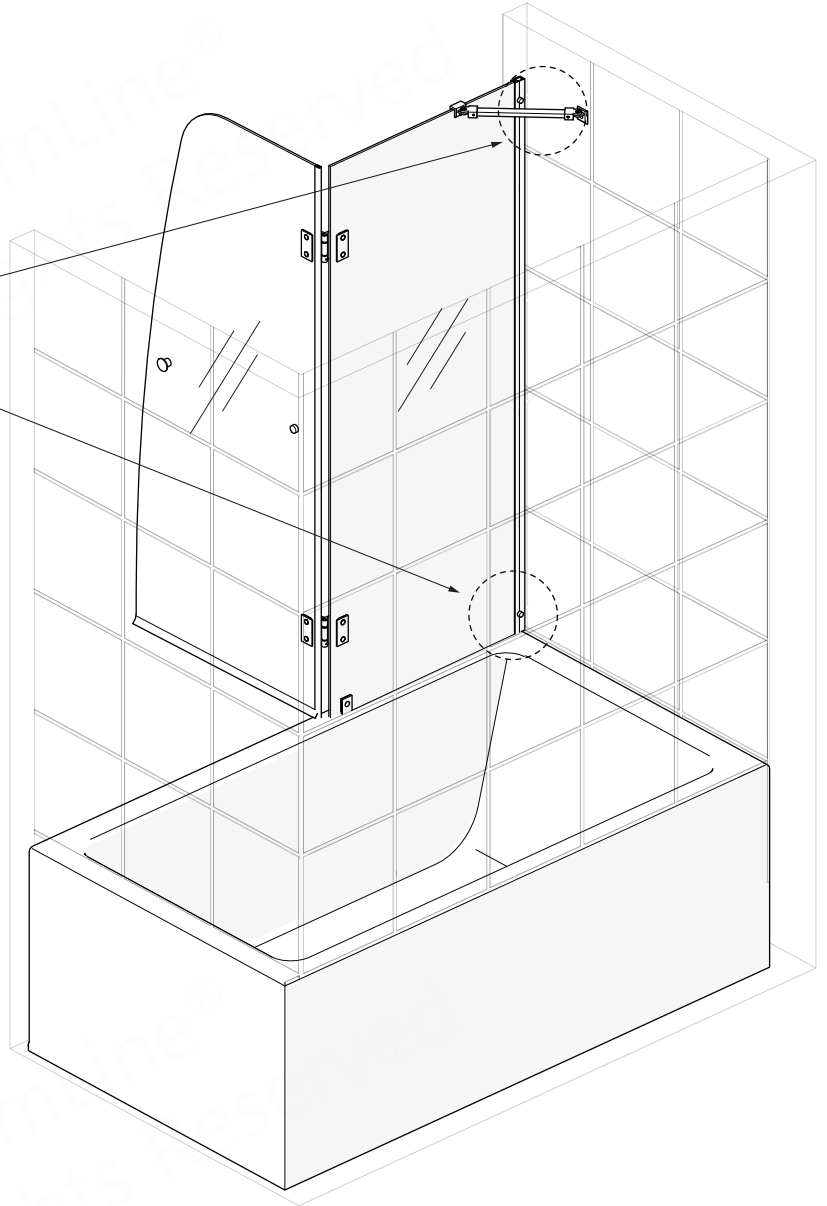
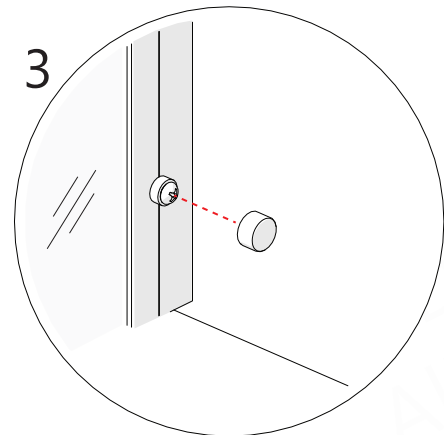
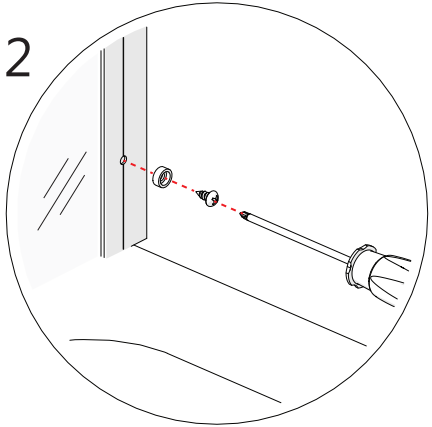
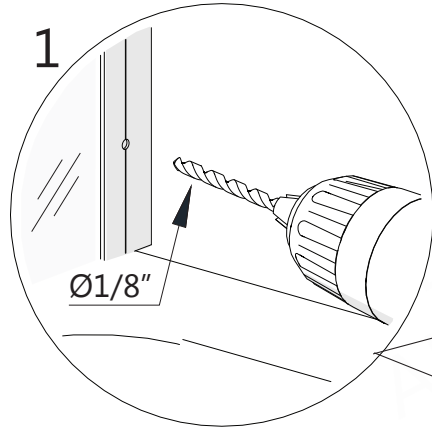


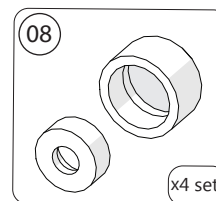
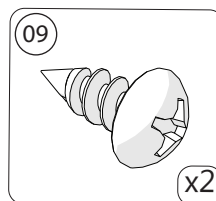
Fig 14

ST4.0x10mm Pan Head Screw (#09)

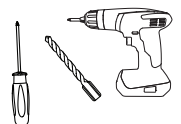
Decorative Cap (#08)

Washer (#08)

Parts Needed



Tools Needed



15

NOTE

Apply a good quality, mildew-resistant clear silicone to the entire interior perimeter of the **Hinge Panel Glass**. Be sure the surfaces are clean and free of debris before applying silicone.

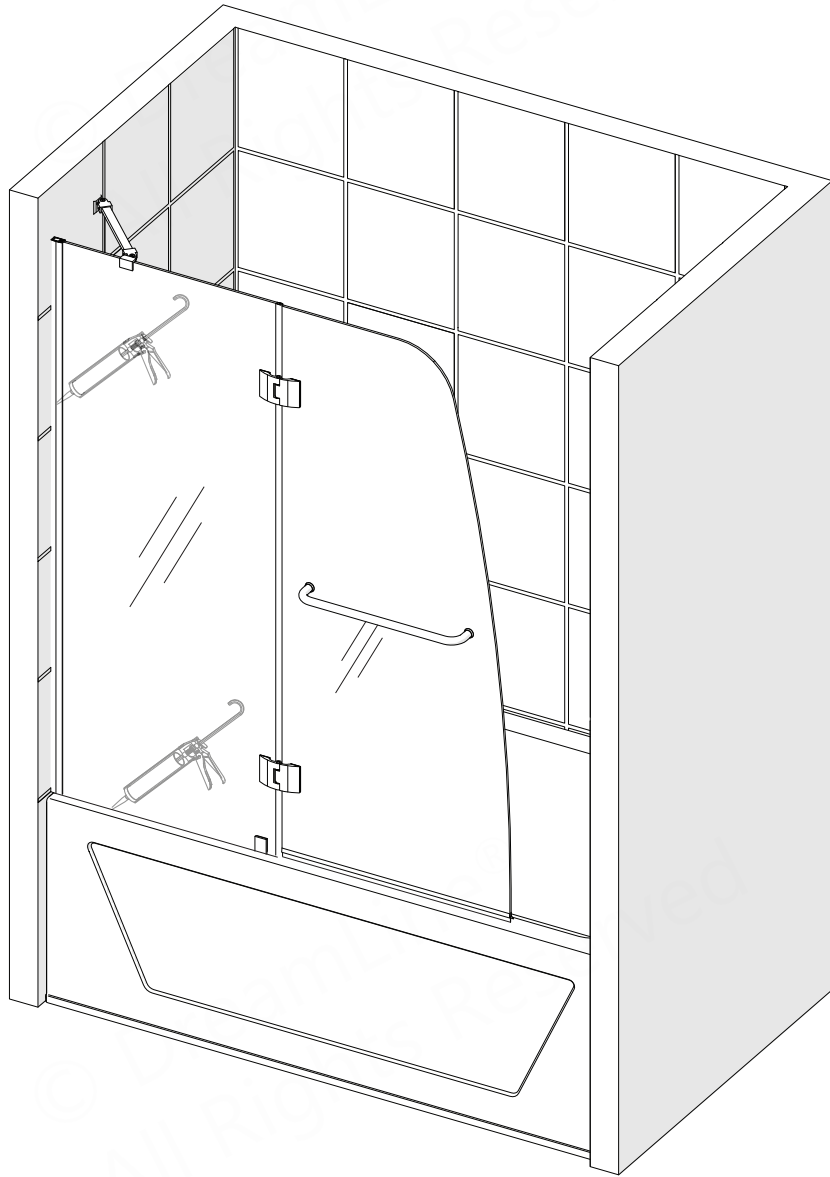
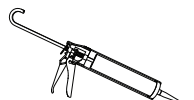


Fig 15



Allow 24 hours for the silicone to cure before using the shower

Tools Needed



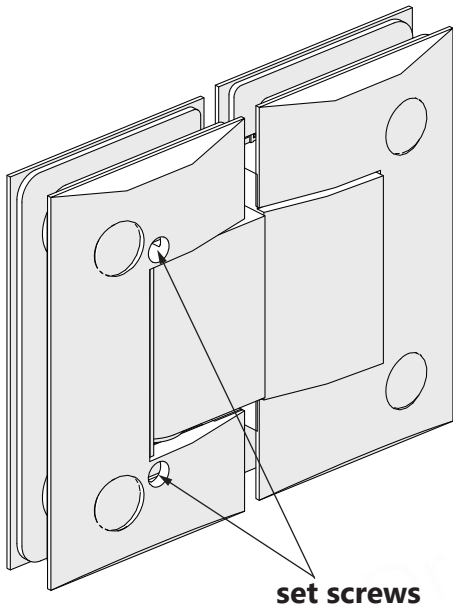
Glass-to-Glass Hinge Assembly Adjustment Procedure

NOTE

The glass-to-glass hinge assemblies are preset to overclose to 172° for a tight seal against the **180° Inline Strike Vinyl (#19)** installed on the **Inline Panel Glass (#11)**. This creates the ideal tension setting for closing the door against the hinge panel. Adjustment is not necessary and should **only be used if a different closing angle is desired**. Both the top and bottom Hinge Assemblies must be adjusted at the same time and to the same angle during adjustment.

The Adjustable Glass-to-Glass Hinge Assemblies are factory pre-set to overclose to 172° to create a tight seal with the 180° Inline Strike Vinyl.

How to Adjust the Glass-to-Glass Hinge Assemblies



Once the **Door Glass (#01)** is installed:

- Hold the door in the closed position and loosen the adjustment set screws on **both** hinges with the supplied Allen Key
- Move the door to the new desired closed position
- While holding the door in the new closed position, re-tighten the set screws on **both** hinges
- The Door Glass will now close to the new closed position

NOTE

Do not adjust the hinges separately or before installation. This could lead to problems with the hinges operating together correctly.



To prevent water leakage, adjust the **Hinge Assemblies (#05)** to overclose so the Door Glass creates a tight seal with the **L-Strike Vinyl Seal (#08)** (for single shower door models) or the **Strike Vinyl Seal** included with the Inline Panel or Return Panel Glass.

Product Maintenance

BASES and BACKWALLS: To ensure long lasting life for your acrylic back walls: wipe them off after each use with a soft cloth. To clean the acrylic back walls use non-abrasive sprays or cream based cleaners. Avoid the use of aerosol spray cleaners. Never use abrasive cleansers, metal brushes or scrapers that could permanently scratch or dull the surface.

GLASS: To ensure long lasting life for your glass shower products: wipe them off after each use with a soft cloth. Rinse and wipe off the glass using either a soft cloth or a squeegee to prevent soap buildup and water spots (Hard water can etch the surface of the glass over time if left to dry). To prevent scratching the surface: never use abrasive cleaners or cleaning products that contain scouring agents. Never use bristle brushes or abrasive sponges that may scratch the surface of the glass.

HARDWARE: To ensure a long lasting finish: wipe off all metal parts after each use with a soft cloth. Do not use abrasive cleaners or cleaning products containing ammonia, bleach or acid. If accidentally used, rinse the surface as soon as possible to prevent damage to the finish (peeling or corrosion). After cleaning the polished finishes, rinse thoroughly and wipe dry with a soft clean cloth.

Clean stainless steel surfaces at least once a week. When applying stainless steel cleaner or polish to stainless steel hardware, work with the grain (not across the grain). Never use an abrasive sponge or cloth, steel wool or wired brush as these may permanently scratch the surfaces.



To maximize the life of your door, it is important to regularly inspect the glass and other hardware for misalignment, proper attachment, and/or damage. Contact DreamLine® with any questions or concerns.

AQUA Maintenance Checklist

- Check that the unit is stable, operates smoothly and that the installation is secure.
- Confirm that all screws/bolts are tight.
- Check that the Towel Bar is tightly secured to the Door Glass and that all gaskets are in place to prevent glass-to-metal contact.
- Confirm that all vinyl seals are intact (replace if missing or damaged to prevent leakage)
- Inspect exposed and concealed glass edges for damage
 - Damaged Glass Must be Replaced!**
- Inspect silicone caulk for gaps. Replace silicone as necessary to prevent water leakage.

Troubleshooting

Problem/Symptom	Suggested Solution	Page(s)
Missing Parts	<ul style="list-style-type: none"> • Check all shipping/packaging material for missing parts/components. • If an item is not found, contact DreamLine Customer Support [1-866-731-2244] to order factory part replacement. 	6-8
Door Glass (#01) does not close flush with the Vinyl and Hinge Panel Glass (#02)	<ul style="list-style-type: none"> • Inspect the Vinyl Seals and be sure they are installed correctly. • Check that the Bulb Vinyl Seal (#11) on the back of the Door Glass (#05) is installed correctly so it seals against the Hinge Panel Glass (#02) • Check that the reveal (gap) between the door and the strike vinyl is consistent/even from top to bottom. Use a level and adjust the Door Glass (#05) as needed. 	21
Top of the Hinge Panel Glass (#02) is not flush with the top of the Door Glass	<ul style="list-style-type: none"> • Confirm the Hinge Assemblies (#04) are tightly secured to the Door Glass. • See Hinge Installation instructions on Pages 18-19. It may be necessary to loosen both hinges, adjust the door glass height, then re-tighten the hinges. 	18-19
Water Leakage: Bottom Sweep Vinyl Seal (#12)	<ul style="list-style-type: none"> • Confirm the vinyl is tightly secured to the bottom of the Door Glass (#05). Also, confirm the distance between the bottom of the Door Glass and threshold is 1/2" (12mm). Confirm the Hinge Side Vinyl Seal (#11) is correctly notched around the Bottom Sweep Vinyl (#12). • Direct the water flow away from the area 	21
Towel Bar / Handle (#06) rattles during operation	<ul style="list-style-type: none"> • Confirm the vinyl gaskets are present and the towel bar is tightly secured to the glass. 	20



NOTE: DO NOT use the towel bar for support. The Towel Bar is NOT a grab bar.

NOTE: The Aqua tub door is designed to swing out. DO NOT push the door into the tub area.



Prior to contacting DreamLine® Customer Service, please have the following information readily available:

- Purchase Order Information
 - Name, PO Number, Dealer/Vendor Name, etc.
- SKU/Model Number (see Page 24)
- Factory Part Information (see Page 24)

Factory Parts Information

AQUA Tub {SHDR-3148586-##}		FACTORY PARTS INFORMATION	
ITEM #	FACTORY PART NUMBER	ITEM DESCRIPTION	QTY
01	04144011-1473	Glass Profile	1 pc
01	04142011-1473	Wall Profile	1 pc
02	010034005	Hinge Panel Glass	1 pc
03	0712 1 039 / 0712 4 039	Support Bar Assembly	1 pc
04	741 1 004 / 741 4 004	Glass-to-Glass Hinge Assembly	2 pcs
05	010034006	Door Glass	1 pc
06	0722 1 030 / 0722 4 030	Towel Bar Handle Assembly	1 pc
07	07552148	Wall Anchor 8mm (5/16in)	5 pcs
08	0755 1 011 / 0755 4 011	Decorative Cover and Washer	2 pcs
09	091101	ST4.2x10mm Self-Tapping Round Head Screw	2 pcs
10	092108	ST4.2 x 40 Countersunk Screw	4 pcs
11	063007060-1473	Clear Bulb Vinyl Seal, 58" Length	1 pc
12	063012060-0608	Clear Bottom Sweep Vinyl 23 15/16" Length	1 pc
13	091104	ST4.2x25mm Self-Tapping Round Head Screw	1 pc
14	701 1 001 / 701 4 001	Bottom Bracket	1 pc
15	090108	ST4.2x40mm Self-Tapping Flat Head Screw	1 pc

BOLD digit indicates finish:

1 = Chrome

4 = Brushed Nickel

Contact **Support@DreamLine.com** for Part replacement, installation assistance or additional information.
Complete **Warranty** information is available on **DreamLine.com**.

NOTES:

© DreamLine®
All Rights Reserved

© DreamLine®
All Rights Reserved

NOTES:

© DreamLine®
All Rights Reserved

© DreamLine®
All Rights Reserved



TEL: 866-731-2244
FAX: 866-857-3638
DREAMLINE.COM

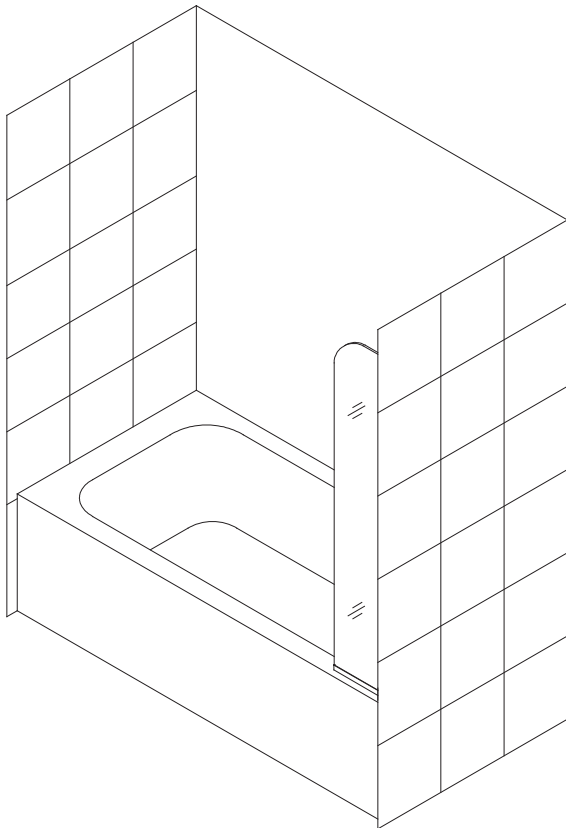
For more information on DreamLine® Shower Doors and Enclosures please visit **DreamLine.com**

EXTENDER Panel (EX) / RETURN Panel (RT)

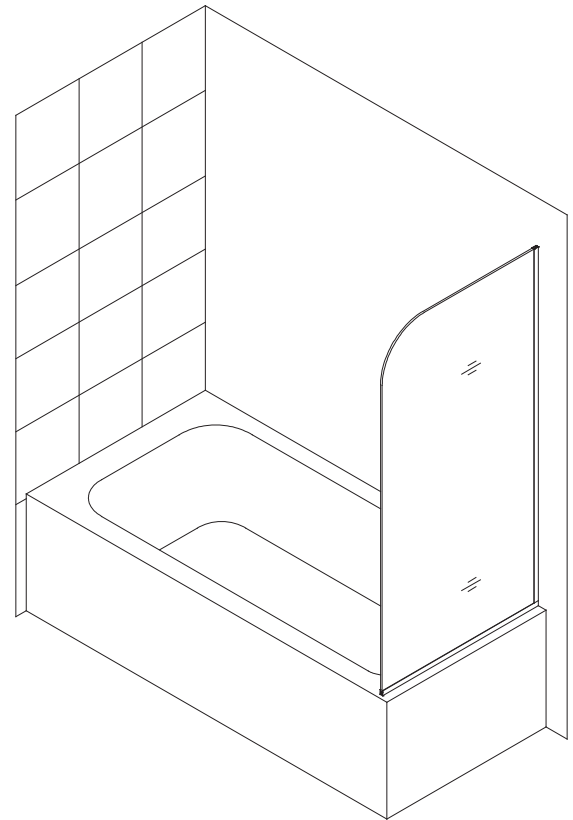
EX / RT STATIONARY PANEL INSTALLATION INSTRUCTIONS

IMPORTANT

DreamLine[®] reserves the right to alter, modify or redesign products at any time without prior notice. For the latest up-to-date technical drawings, manuals, warranty information or additional details please refer to your model's web page on **DreamLine.com**



9" x 58" Extender Panel (EX)



30" x 58" Return Panel (RT)

Right hand installation shown



Questions?

Please Call **DreamLine Customer Support: 1-855-831-2126**
Hours of Operation M-F 8AM - 7PM EST and Saturday 9AM - 5PM EST

Support@DreamLine.com



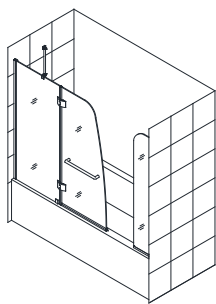
For more information about DreamLine[®] Shower Doors & Tub Doors please visit **DreamLine.com**

Table of Contents

Section title	Page #
Aqua Series with Extender (EX) or Return (RT) Panel Model #s	3
Preparation	4
Tools	5
Parts Diagram/Packing List	6
Installation Steps	7-14
Product Maintenance	15

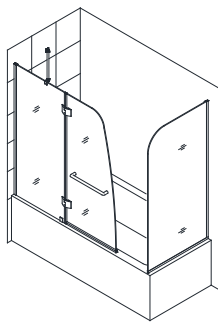
AQUA series with Extender (EX) or Return Panel (RT) Model #s:

Aqua Tub -EX



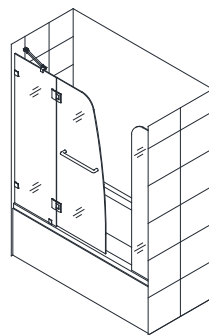
SHDR-3148586-EX-01
SHDR-3148586-EX-04

Aqua Tub -RT



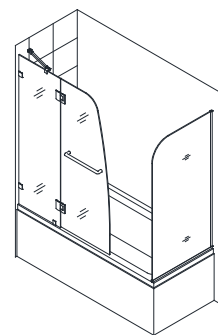
SHDR-3148586-RT-01
SHDR-3148586-RT-04

AquaLux-Tub -EX



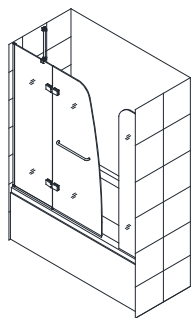
SHDR-3348588-EX-01
SHDR-3348588-EX-04

AquaLux-Tub -RT



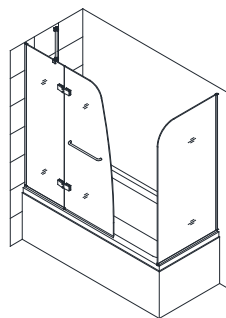
SHDR-3348588-RT-01
SHDR-3348588-RT-04

Aqua-Ultra Tub-EX



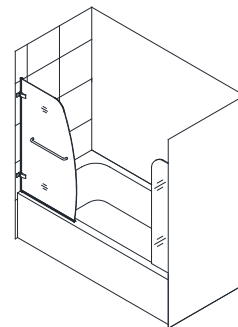
SHDR-3448580-EX-01
SHDR-3448580-EX-04

Aqua-Ultra Tub-RT



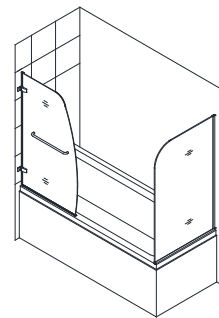
SHDR-3448580-RT-01
SHDR-3448580-RT-04

Aqua Uno-Tub-EX



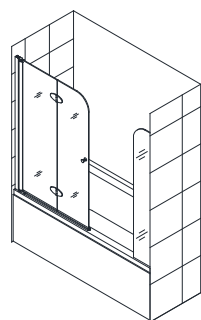
SHDR-3534586-EX-01
SHDR-3534586-EX-04

Aqua Uno-Tub-RT



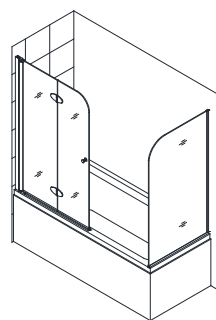
SHDR-3534586-RT-01
SHDR-3534586-RT-04

Aqua Fold-Tub -EX



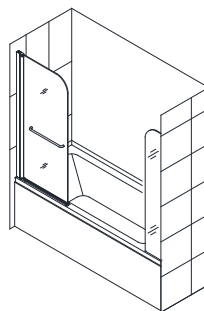
SHDR-3636580-EX-01

Aqua Fold-Tub -RT



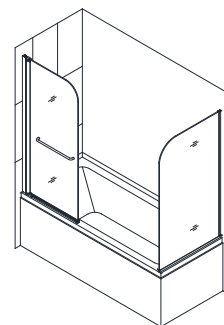
SHDR-3636580-RT-01

Aqua Swing-Tub-EX



SHDR-3734580-EX-01

Aqua Swing-Tub-RT



SHDR-3734580-RT-01

Finish:
01- Chrome
04- Brushed Nickel

Preparation

1. Prior to installation, examine all boxes and packages for shipping damage and compare the piece count with your packing slip. After opening all boxes and packages read this introduction carefully. Check that all of the needed parts are included in the package by checking off the components on the "Detailed Diagram of Shower Door Components". If the unit has been damaged, has a finishing defect, or has missing parts, please contact our customer support department within **3 business days** of the delivery date. **Please note that DreamLine® will not replace any damaged products or missing parts free of charge after 3 business days or if the product has been installed.** Contact DreamLine® if you have any questions and please provide an order number, job name or other proof of purchase to help us identify your original order.
2. **Please note that you should consult your local building codes with questions on installation compliance standards. Building and plumbing codes may vary by location, and DreamLine® is not responsible for code compliance standards for your project and will not accept any returns.**
3. If this unit is going to be installed in a new construction, please install all of the required plumbing and drainage before installing the shower. Use a competent and licensed (if required by local code) plumber for all plumbing installation.
4. Make sure that prior to beginning the installation, the surfaces are leveled and solid and will be able to support the total weight of the unit. Also make sure the walls are at right angles. Irregular installation surface level, radius corners or improper angle of side walls will result in serious problems for your installation. Please, note that some adjustments and drilling might be necessary during the installation process.
5. Protect all primary surfaces of the product during installation. Never set your glass down directly onto a tile floor. Leave corner protectors in place until necessary to remove them. Always use a piece of wood or cardboard to protect the bottom edge and corners of the glass prior to and during installation.
6. This unit must be installed upon a finished threshold and against finished walls.
7. This model allows for a maximum of 1/2" of adjustment for out-of-plumb wall conditions and 1/4" of adjustment for out-of-level conditions within the u-channel. Use a level to verify the opening conditions before proceeding with the installation.
8. **This model requires that you drill into the threshold for proper installation.**
9. These panels require 5/8" of flat threshold space for installation.

This manual assumes that the Aqua Series tub door has already been installed.



NOTE: These panels are reversible for left or right hand installation. This manual will show the right hand installation as an example. For a left hand installation, simply begin on the opposite wall and reverse the orientation of the parts as necessary.

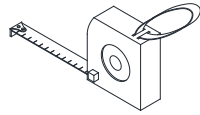


To prevent serious injury, DO NOT lean against the installed panel glass.

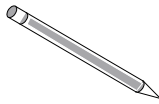
Tools



Level



Tape Measure



Pencil



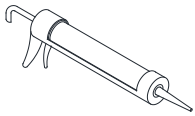
Phillips Screwdriver



Drill bit
(Ø=5/16")



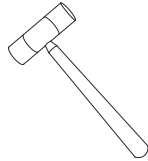
Drill bit
(Ø=1/8")



Silicone



Power Drill



Hammer

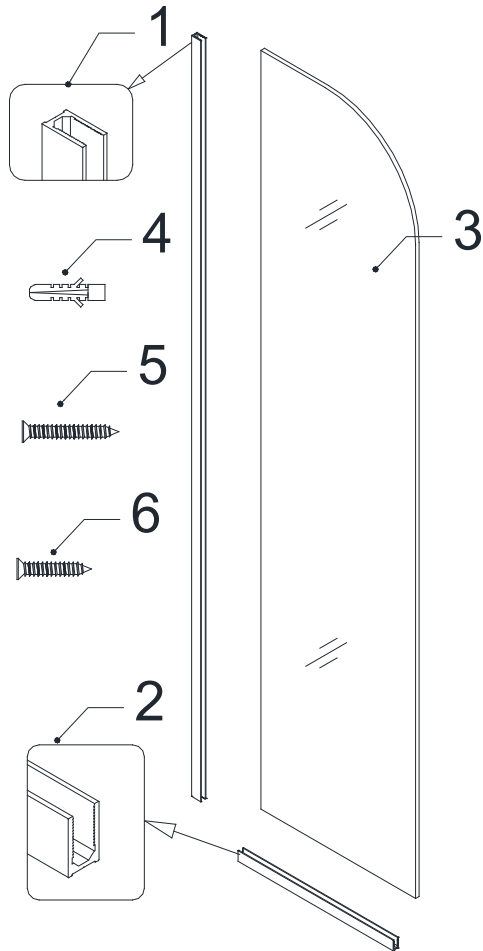
NOTE: Unpack your unit carefully and inspect it. Lay it out and identify all parts using the detailed diagram and packing list in this manual as a reference. Before discarding the carton, check for small hardware bags that may have fallen to the bottom of the box. If any parts are damaged or missing, please contact DreamLine® for replacement. The shipping boxes may contain extra parts not used in your model configuration.

NOTE: Retain these installation instructions for future reference.

Parts Diagram

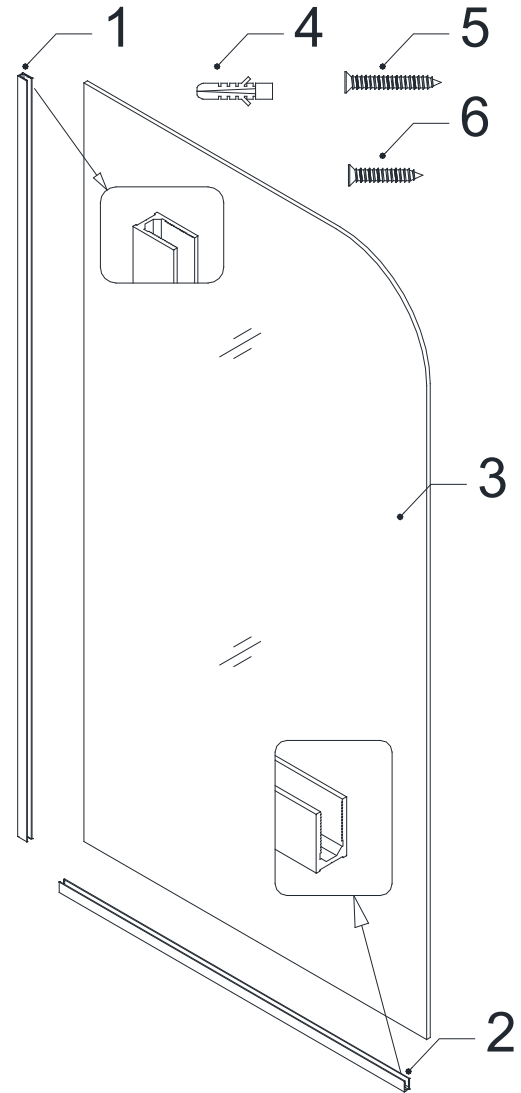
Parts Diagram A

9" x 58" Extender Panel (EX)



Parts Diagram B

30" x 58" Return Panel (RT)



Packing List

Diagram A					
PART#	DESCRIPTION	QTY	PART#	DESCRIPTION	QTY
01	U-Channel 1 (58" wall profile)	1pc	04	Ø5/16" Wall anchor	4pcs
02	U-Channel 2 (9" bottom profile)	1pc	05	Countersunk screw ST4.2x40	4pcs
03	Extender panel glass	1pc	06	Countersunk screw ST4.2x25	2pcs
Diagram B					
01	U-Channel 1 (58" wall profile)	1pc	04	Ø5/16" Wall anchor	4pcs
02	U-Channel 2 (30" bottom profile)	1pc	05	Countersunk screw ST4.2x40	4pcs
03	Return panel glass	1pc	06	Countersunk screw ST4.2x25	2pcs

Installation steps

9" In-Line Extender Panel Installation (EX)

NOTE: The following panel installation instructions apply to all of the Aqua series tub doors. Please install whichever Aqua model tub door you purchased prior to proceeding with the following Stationary Glass installation instructions. Please see the Shower / Tub Door Installation manual included in the door packaging for complete tub door installation instructions.

NOTE: Use **Parts Diagram "A"** for the **EX panel** assembly and installation. (**Fig 1**)

Note: The **bottom u-channel (#02)** should measure: **Glass width (+) 3/16"**
the **vertical u-channel (#01)** should measure: **Glass height (-) 5/8"**

1. Slip the **U-Channel 2 (bottom profile) (#02)** and **U-Channel 1 (wall profile) (#01)** onto the **Extender Panel Glass (#03)**. With the door open, place the **Extender Panel Glass (#03)** and **U-Channel** onto the tub surface ensuring that the **U-Channel 1 (wall profile) (#01)** is flush with the wall. (**Fig 2.1 and 2.1**)

Close the Door Glass and align the **Extender Panel Glass (#03)** (**Fig 2.3**) Ensure that the **Extender Panel Glass (#03)** is precisely in line with the Door Glass and level it vertically (plumb). (**Fig 2.5**) Mark the position of both **U-Channels** along the inside edge on the wall and tub surface (**Fig 2.6**).

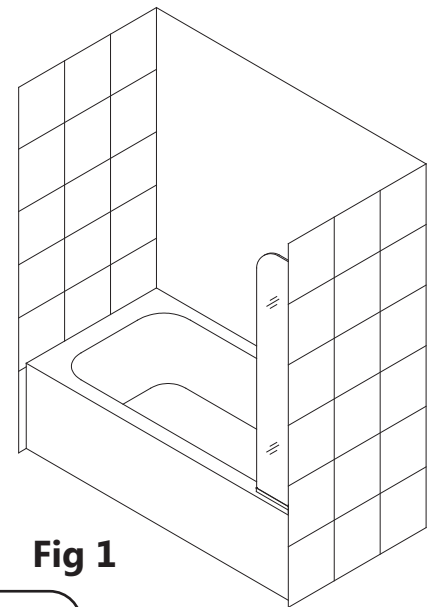


Fig 1

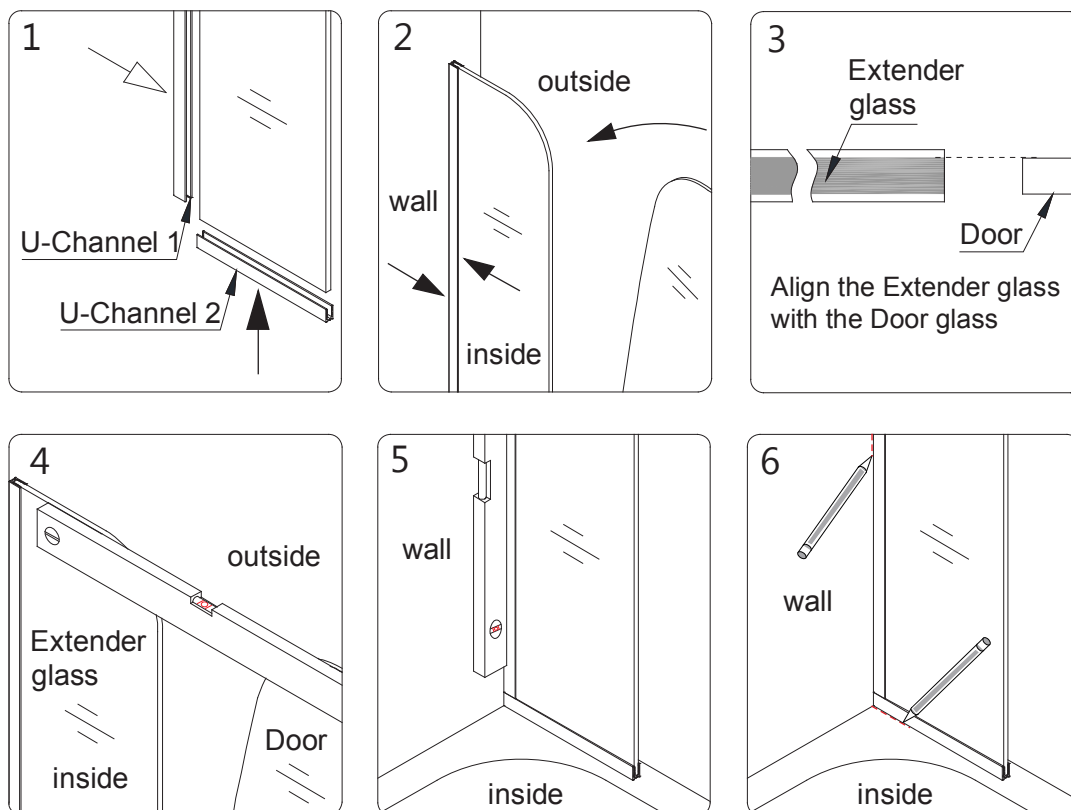


Fig 2

2. Remove the U-Channel 1 (wall profile) (#01) and U-Channel 2 (bottom profile) (#02) from the Extender Panel Glass (#03) and carefully set the Extender Panel Glass (#03) aside. Place the **U-Channel 2 (bottom profile) (#02)** back onto the tub surface in line with the inside U-Channel mark. Mark the drill holes on the tub surface through the pre-drilled holes in the **U-Channel 2 (bottom profile) (#02)** and drill the holes using an $\text{Ø}1/8''$ drill bit. Apply waterproof silicone along the bottom surface and around the holes of the **U-Channel 2 (bottom profile) (#02)** and fasten it to the tub surface with the **Countersunk Screws ST4.2×25 (#06)**. **(Fig 3)**

NOTE: The surface needs to be clean and free of debris before applying silicone.

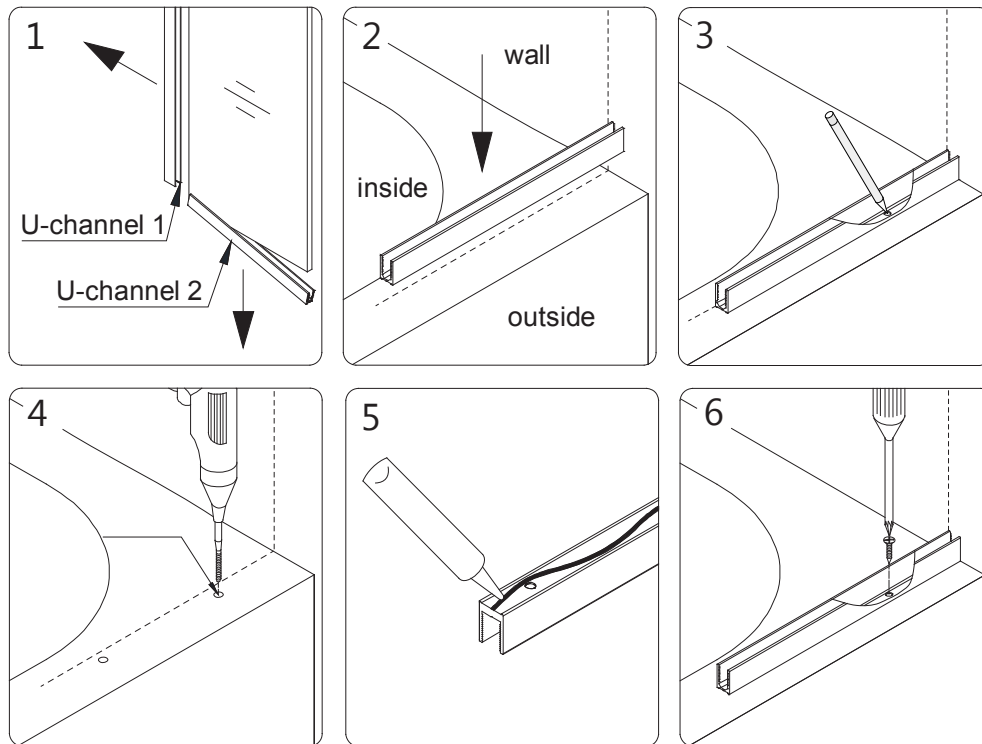


Fig 3

3. Place the U-Channel 1 (wall profile) (#01) onto the U-Channel 2 (bottom profile) (#02) and align it vertically with the inside U-channel wall mark from the previous step (Fig 4.1). Mark the drill holes on the wall through the predrilled holes in the **U-Channel 1 (wall profile) (#01)**.

Now drill holes into the wall using a $\text{Ø}5/16''$ drill bit and insert the $\text{Ø}5/16''$ **Wall Anchors (#04)**. Apply waterproof silicone along the bottom surface and around the holes of the **U-Channel 1 (wall profile) (#01)** and fasten it to the wall with the **Countersunk Screws ST4.2×40 (#05)**. **(Fig 4)**

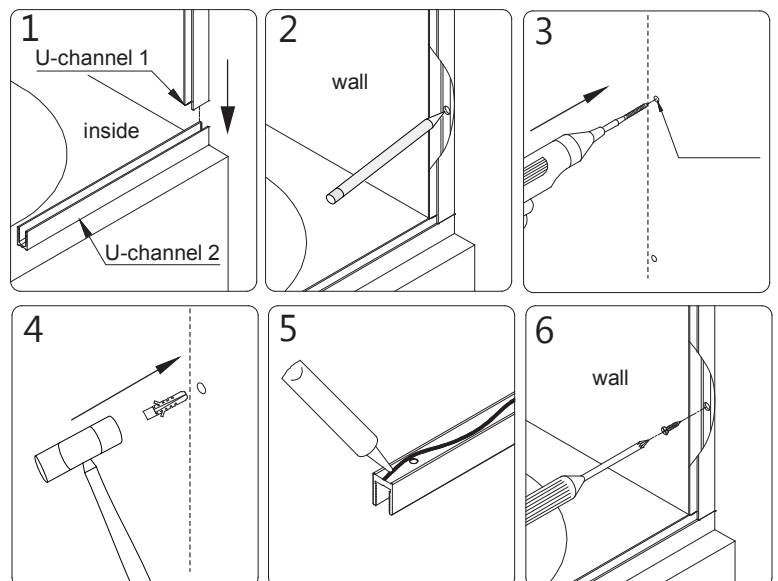


Fig 4

4. Apply waterproof silicone into both U-Channels. (Fig 5)

NOTE: The surface needs to be clean and free of debris before applying silicone.

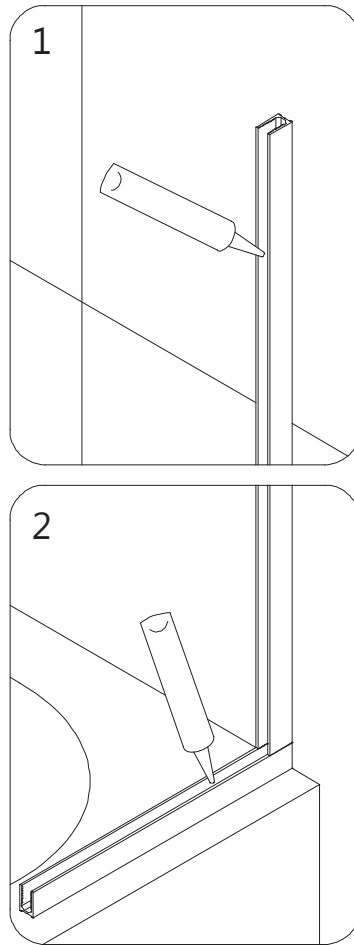


Fig 5

5. Slide the Extender Panel Glass (#03) into the installed U-Channels.

NOTE: If you have difficulty sliding the **Extender Panel Glass (#03)** into the U-Channels, you can use a small block of wood and a rubber mallet to lightly tap on the Extender glass until the glass is firmly set in the U-Channel. Apply a dab of silicone into both open ends of the U-Channels. (Fig 6)

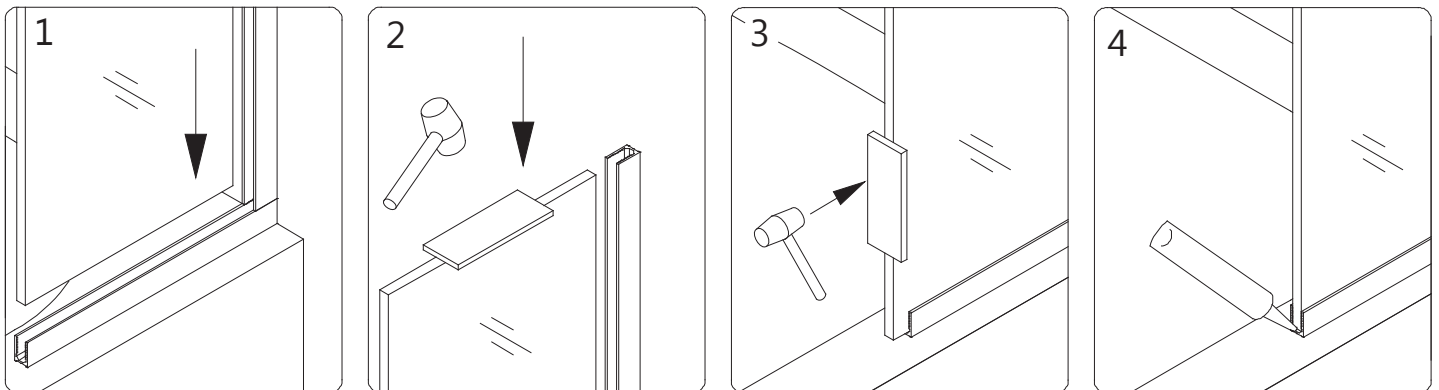


Fig 6

6. Apply a good quality mildew-resistant waterproof silicone along the connection of both U-Channels to the wall and tub surface from the inside of the shower. **(Fig 7)**



Allow 24 hours for the silicone to fully cure before using the shower.

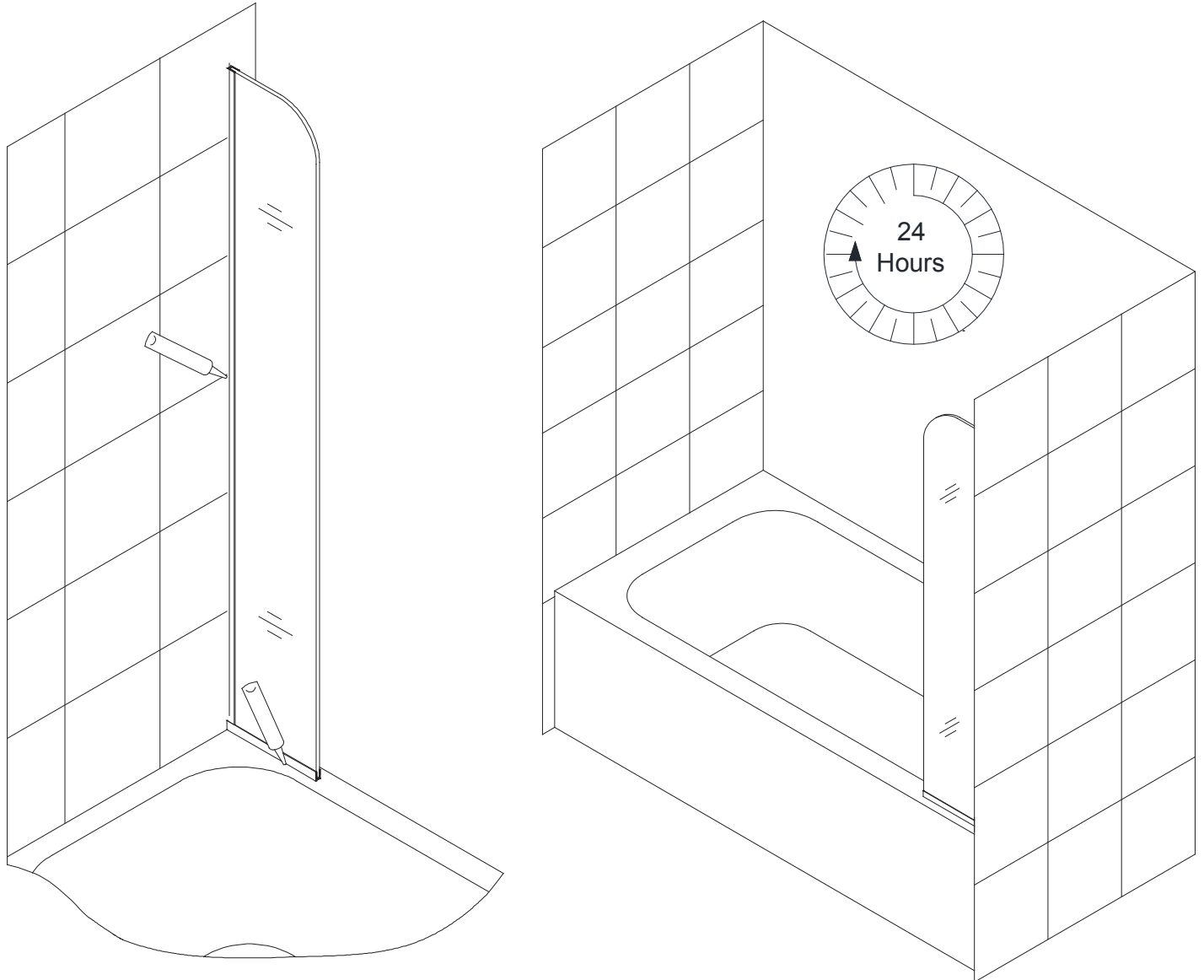


Fig 7

30" Return Panel Installation (RT)

NOTE: The following panel installation instructions apply to all of the Aqua series tub doors. Please install whichever Aqua model you purchased prior to proceeding with the following Return Glass installation instructions. Please see the Shower / Tub Door Installation manual included in the door packaging for complete tub door installation instructions.

NOTE: Use **Parts Diagram "B"** for the **RT panel assembly and installation (Fig 8)**

Note: The **bottom u-channel (#02)** should measure: **Glass width (+) 3/16"**
the **vertical u-channel (#01)** should measure: **Glass height (-) 5/8"**

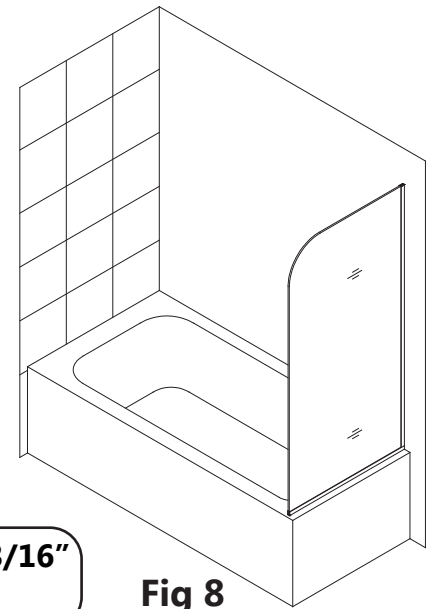


Fig 8

7. Slip the **U-Channel 2 (bottom profile) (#02)** and **U-Channel 1 (wall profile) (#01)** onto the **Return Panel Glass (#03)**.

With the door open, place the **Return Panel Glass (#03)** onto the middle of the tub ledge adjacent to the door ensuring that the **U-Channel 1 (wall profile) (#01)** is flush with the wall. Adjust the **Return Panel Glass (#03)** vertically using a level.

Mark the position of both **U-Channels** along the inside edge on the wall and tub surface. **(Fig 9.4)**

Remove the **U-Channel 1 (wall profile) (#01)** and **U-Channel 2 (bottom profile) (#02)** from the **Return Panel Glass (#03)** and carefully set the **Return Panel Glass (#03)** aside. **(Fig 9)**

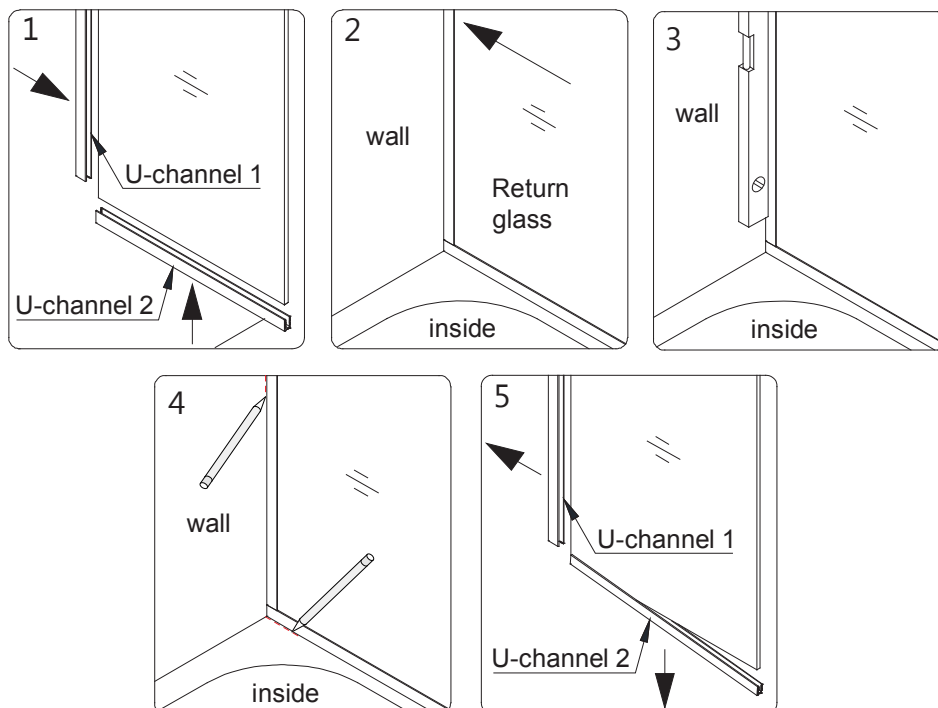


Fig 9

8. Place the **U-Channel 2 (bottom profile) (#02)** onto the tub surface in line with the inside **U-Channel** mark. Mark the drill holes onto the tub ledge through the predrilled holes in the **U-Channel 2 (bottom profile) (#02)** and drill the holes using a **Ø1/8"** drill bit.

Apply waterproof silicone along the bottom surface and around the holes of the **U-Channel 2 (bottom profile) (#02)** and fasten it to the tub ledge with the **Countersunk Screws ST4.2×25 (#06)**. (Fig 10)

NOTE: The surface needs to be clean and free of debris before applying silicone.

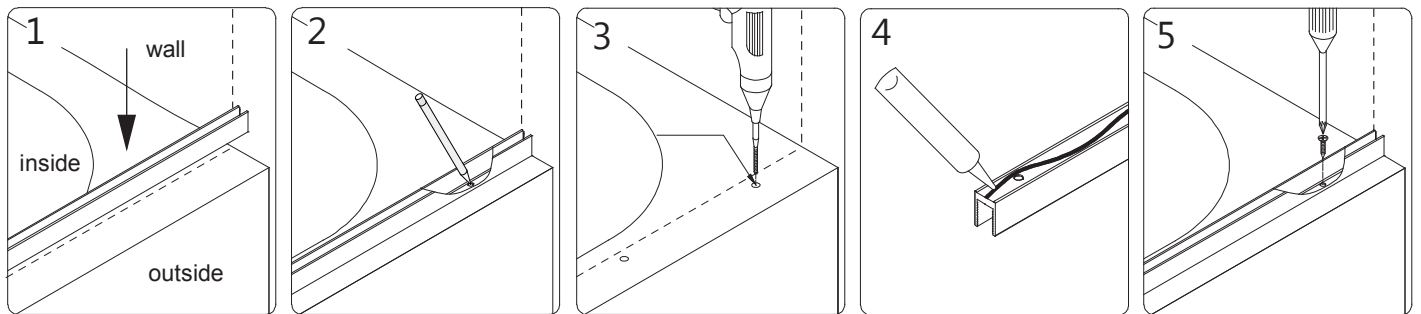


Fig 10

9. Place the **U-Channel 1 (wall profile) (#01)** onto the **U-Channel 2 (bottom profile) (#02)** and align vertically with the inside U-Channel wall mark from the previous step.

Mark the drill holes on the wall through the predrilled holes in the **U-Channel 1 (wall profile) (#01)**. Now drill holes in the wall using a **Ø5/16"** drill bit and insert the **Ø5/16"** Wall Anchors (#04). Apply waterproof silicone along the bottom surface and around the holes of the **U-Channel 1 (wall profile) (#01)** and fasten it to the wall with the **Countersunk Screws ST4.2×40 (#05)**. (Fig 11)

NOTE: The surface needs to be clean and free of debris before applying silicone.

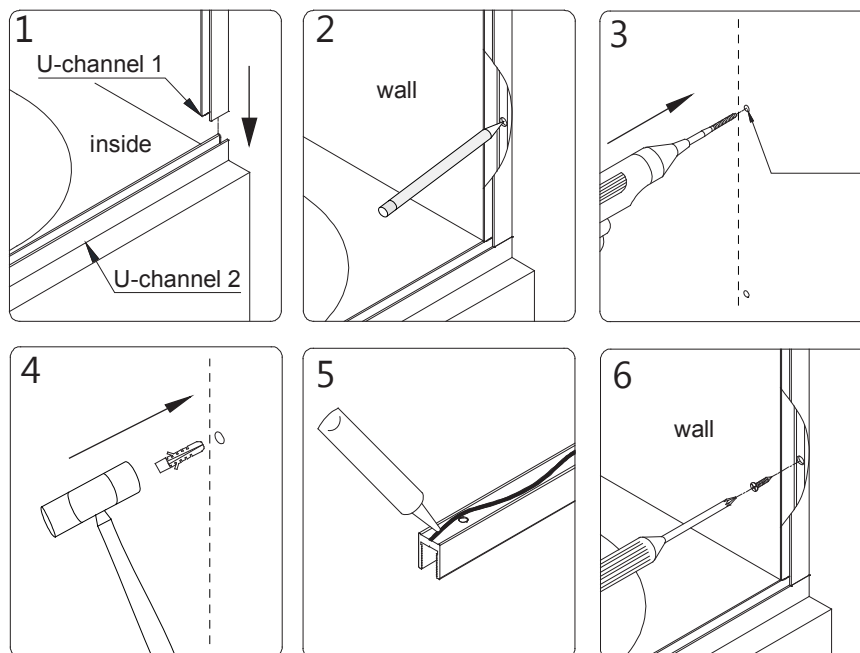


Fig 11

10. Apply waterproof silicone into both U-Channels. **(Fig 12)**

NOTE: The surface needs to be clean and free of debris before applying silicone.

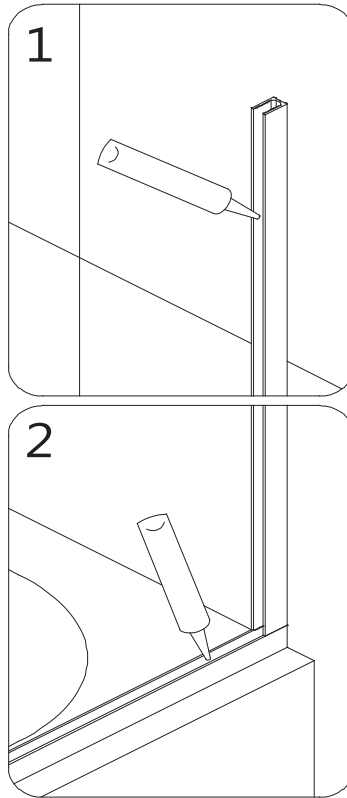


Fig 12

11. Slide the **Return Panel Glass (#17)** into the groove of the installed U-Channels.

NOTE: If you have difficulty sliding the **Return Panel Glass (#17)** into the U-Channels, you can use a small block of wood and a rubber mallet to lightly tap on the Extender glass until the glass is firmly set in the U-Channel.

Apply a dab of silicone to both open ends of the U-Channels. **(Fig 13)**

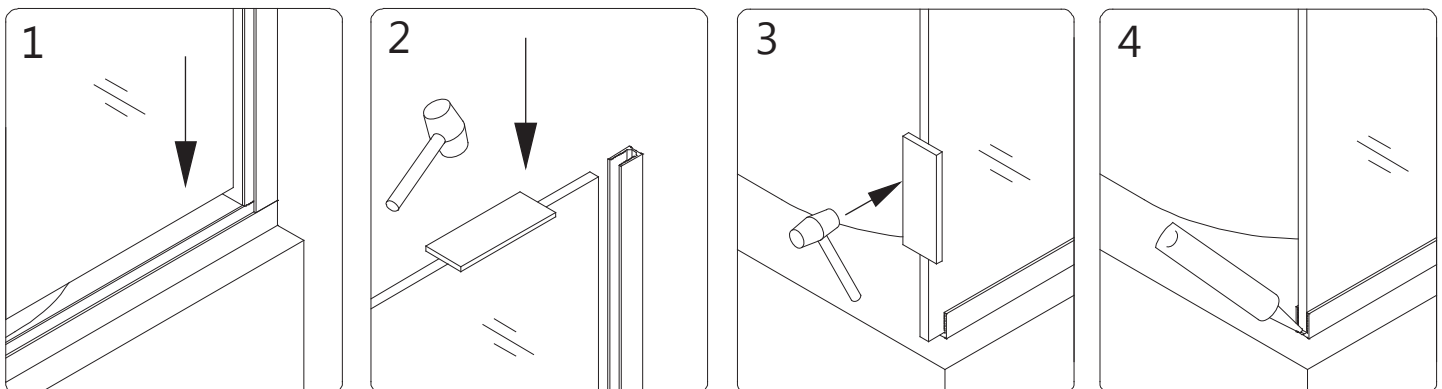


Fig 13

12. Apply a good quality mildew-resistant waterproof silicone along the connection of both U-Channels to the wall and tub surface from the inside of the shower. **(Fig 14)**



Allow 24 hours for the silicone to fully cure before using the shower.

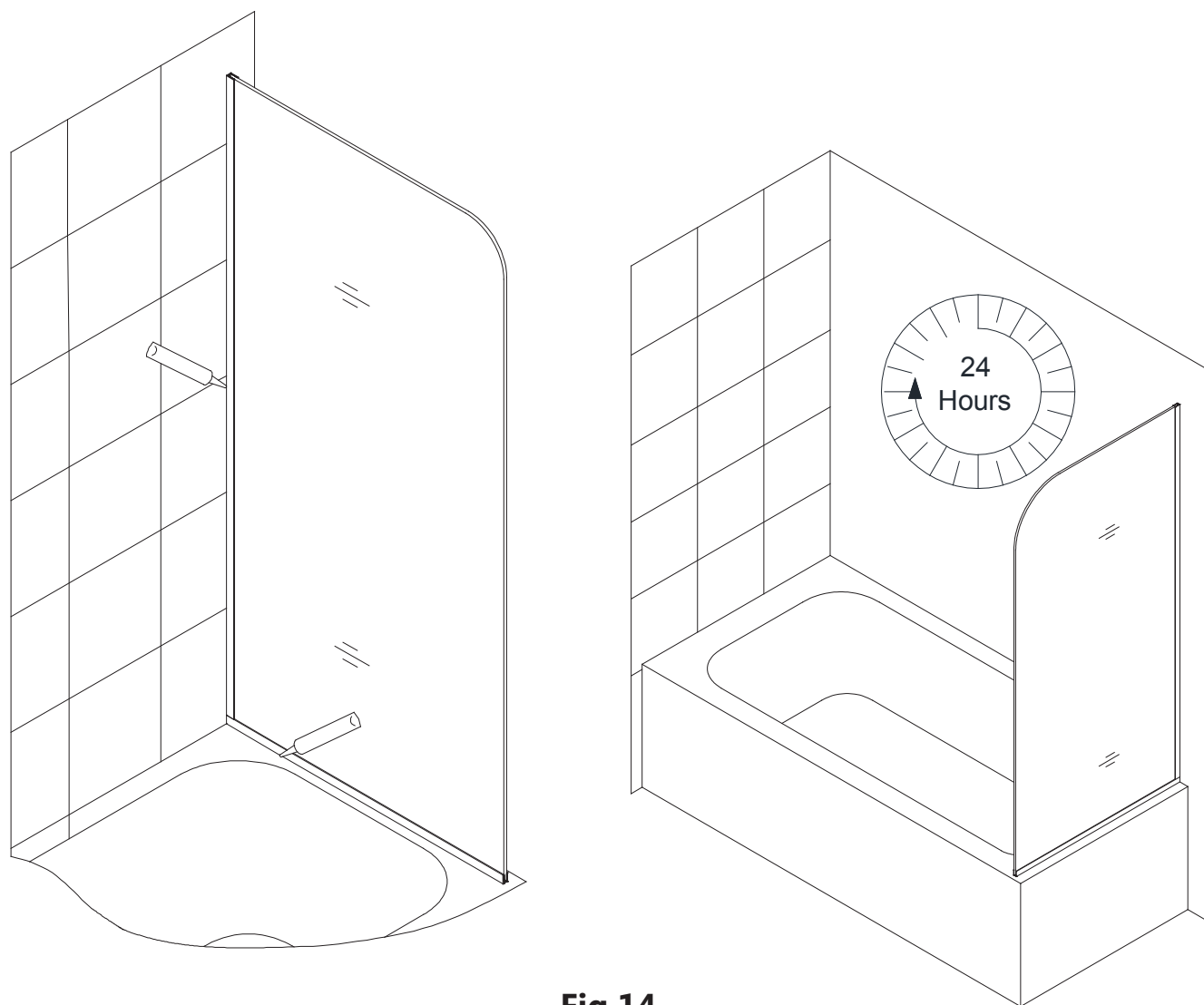


Fig 14

Product Maintenance

BASES and BACKWALLS: To ensure long lasting life for your acrylic back walls: wipe them off after each use with a soft cloth. To clean the acrylic back walls use non-abrasive sprays or cream based cleaners. Avoid the use of aerosol spray cleaners. Never use abrasive cleansers, metal brushes or scrapers that could scratch or dull the surface.

GLASS: To ensure long lasting life for your glass shower products: wipe them off after each use with a soft cloth. Rinse and wipe off the glass using either a soft cloth or a squeegee to prevent soap buildup and water spots (Hard water can etch the surface of the glass over time if left to dry). To prevent scratching the surface: never use abrasive cleaners or cleaning products that contain scouring agents. Never use bristle brushes or abrasive sponges that may scratch the surface.

HARDWARE: To ensure a long lasting finish: wipe off the metal parts after each use with a soft cloth. Do not use abrasive cleaners or cleaning products containing ammonia, bleach or acid. If accidentally used, rinse the surface as soon as possible to prevent damage to the finish (peeling or corrosion). After cleaning the polished finishes, rinse thoroughly and wipe dry with a soft cloth. Clean stainless steel surfaces at least once a week. When applying stainless steel cleaner or polish to stainless steel hardware, work with (not across) the grain. Never use an abrasive sponge or cloth, steel wool or wired brush as these may permanently scratch the surfaces.

NOTE: To maximize the life of your product, it is important to regularly inspect the glass and other hardware for misalignment, proper attachment, and/or damage. Contact DreamLine® with any questions or concerns.



TEL: 866-731-2244
FAX: 866-857-3638
DREAMLINE.COM

For more information on DreamLine® Shower Doors and Enclosures please visit DreamLine.com