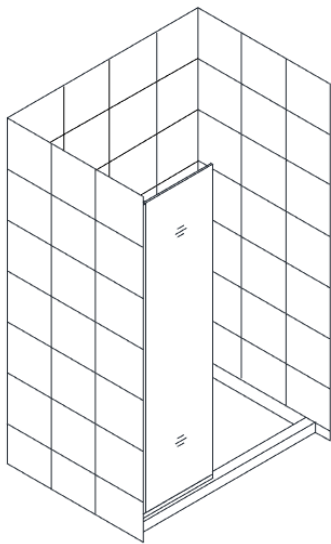


# LINEA PANELS

## SHOWER PANEL INSTALLATION INSTRUCTIONS

### IMPORTANT

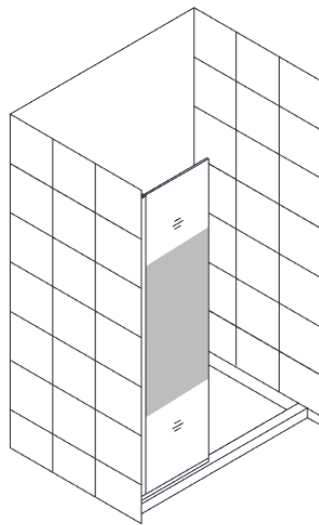
DreamLine® reserves the right to alter, modify or redesign products at any time without prior notice. For the latest up-to-date technical drawings, manuals, warranty information or additional details please refer to your model's web page on **DreamLine.com**.



SHDR-3230721-##  
SHDR-3234721-##

*Left hand installation shown*

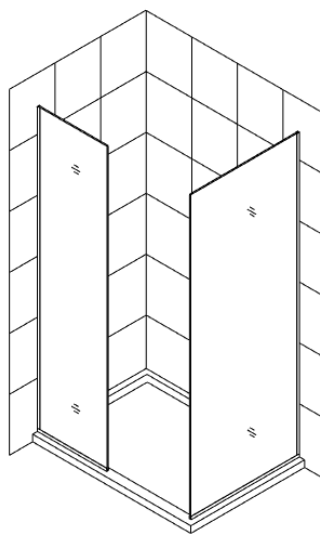
**Configuration 1**  
Installation steps 1~7



D3230721-F03-##  
D3234721-F03-##

*Left hand installation shown*

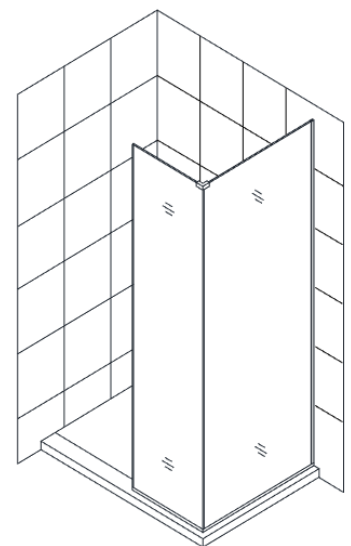
**Configuration 1**  
Installation steps 1~7



SHDR-3230302-##  
SHDR-3230342-##  
SHDR-3234302-##  
SHDR-3234342-##

*Left hand panel with Right hand return panel installation shown*

**Configuration 2**  
Installation steps 1~9



SHDR-3230303-##  
SHDR-3230343-##  
SHDR-3234303-##  
SHDR-3234343-##

*Right hand installation shown*

**Configuration 3**  
Installation steps 10~18

##=finish 01- Chrome 04- Brushed Nickel 06- Oil Rubbed Bronze 09- Satin Black



### Questions?

Please Call DreamLine Customer Support: **1-855-831-2126**  
Hours of Operation M-F 8AM - 7PM EST and Saturday 9AM - 5PM EST

[Support@DreamLine.com](mailto:Support@DreamLine.com)



For more information on DreamLine® Shower Doors and Enclosures please visit [DreamLine.com](http://DreamLine.com)



**This model is treated with DreamLine's exclusive ClearMax™ Glass technology. This is a specially-formulated coating that prevents the build up of soap and water spots.**

**Install the surface with the ClearMax™ label towards the inside of the shower. Please note that depending on the model, the glass may be coated on either one or both surfaces.**

**For best results, squeegee the glass after each use and dry with a soft cloth.**

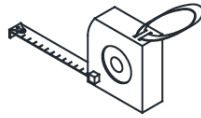
## **Preparation**

1. Prior to installation, examine all boxes and packages for shipping damage and compare piece count with your packing slip. After opening all boxes and packages, read this introduction carefully. Check that all of the needed parts are included in the package by marking all the components on the "Detailed Diagram of Shower Door Components". If the unit has been damaged, has a finishing defect, or has missing parts, please contact our customer support department within **3 business days** of the delivery date. Please note that **DreamLine® will not replace any damaged products or missing parts free of charge after 3 business days or if the product has been installed.** Feel free to contact DreamLine® if you have any questions and please provide a purchase order #, name or other proof of purchase to help us identify your original order.
2. **Please note that you should consult your local building codes with questions on installation compliance standards. Building and plumbing codes may vary by location, and DreamLine® is not responsible for code compliance standards for your project and will not accept any returns.**
3. If this unit is going to be installed in new construction, please install all of the required plumbing and drainage before installing the shower. **Use a competent and licensed (if required by local code) plumber for all plumbing installation.**
4. Please make sure that prior to beginning the installation, the surfaces are leveled and solid and will be able to support the total weight of the unit. Also make sure the walls are at right angles. Irregular installation surface level, radius corners or improper angle of side walls will result in serious problems for your installation. Please, note that some adjustments and drilling might be necessary during the installation process.
5. Please protect all primary surfaces of the product during installation. Never set your glass down directly onto a tile floor. Leave corner protectors in place until necessary to remove them. Always use a piece of wood or cardboard to protect the bottom edge and corners of the glass prior to and during installation.
6. **Installation of this model requires that you drill down into the threshold or shower base.**
7. Stationary glass panel sizes of **30" and 34" are nominal dimensions** referring to the overall size of the panel once installed and not the actual glass size.
8. The vertical (wall) u-channel will provide up to 1/2" of out-of-plumb adjustment. Do not exceed this tolerance.
9. **The safety of any installation is the responsibility of the installer.**
10. **Professional installation recommended.**
11. **To prevent serious injury, do not lean against the installed panel glass.**

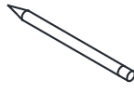
## Tools Required



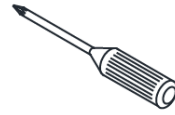
Caulk



Tape Measure



Pencil



Phillips Screwdriver



Drill bit (Ø=5/16")



Drill bit (Ø=1/8")



Level



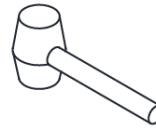
Painter's Tape



Power Drill



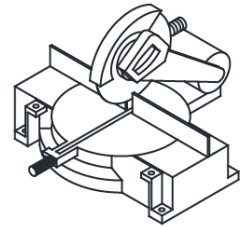
Hammer



Mallet



Wood

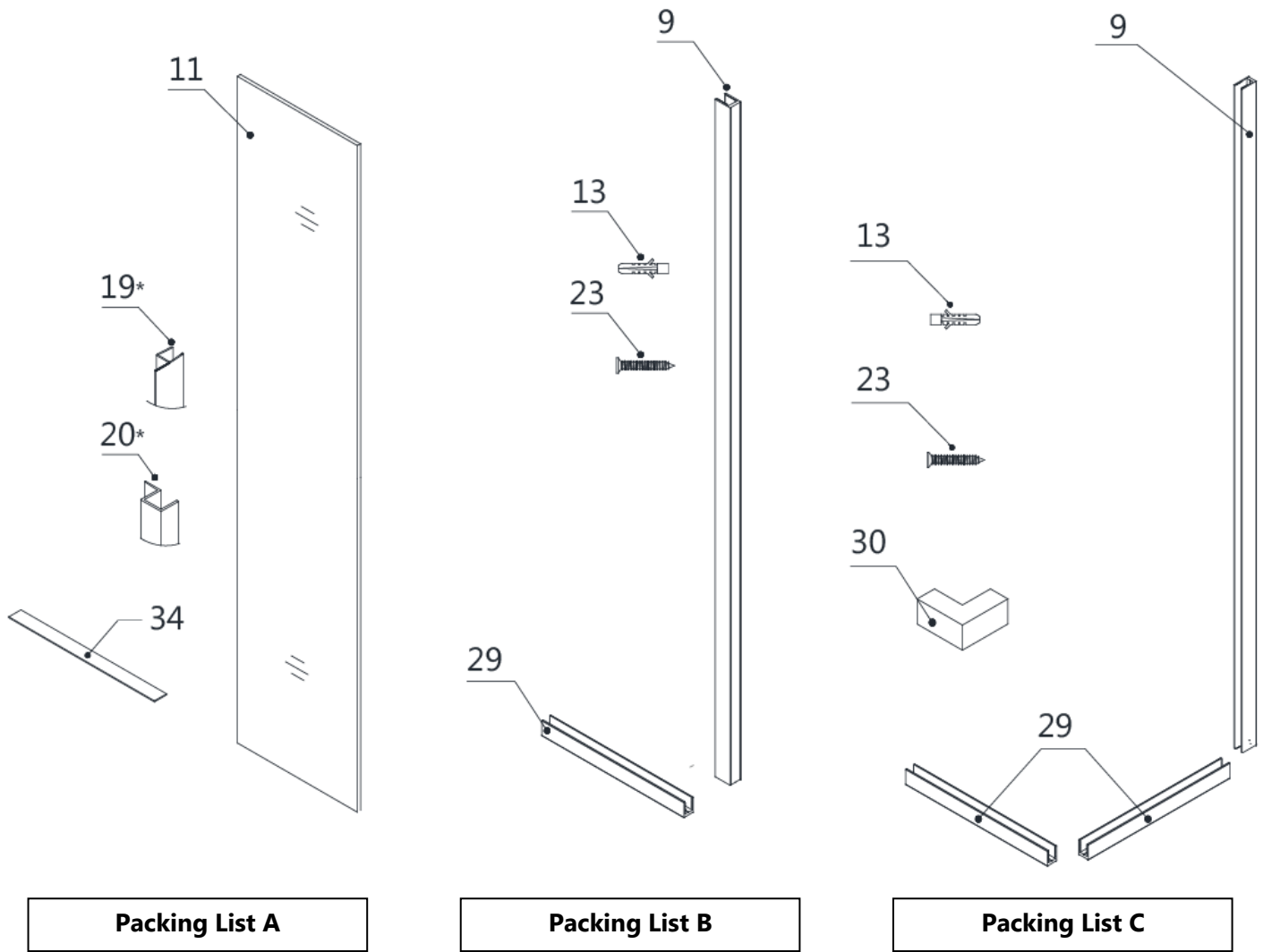


Miter saw

**NOTE:** Unpack your unit carefully and inspect it. Lay out and identify all of the parts using the detailed diagram and packing list for your model in this manual as a reference. Before discarding the carton, check for small hardware bags that may have fallen to the bottom of the box. If any parts are damaged or missing, please contact DreamLine® for replacement.

Please retain this installation manual for future reference.

## Detailed Diagram of Shower Door Components



### Packing List

#### Packing List A - 30" or 34" Stationary Panel Glass- SHDR-GL2402-307210 / 347210

11	Stationary glass (30" or 34")	1pc	20*	Anti-Water strip (enclosure)	1pc
19*	Anti-Water strip (inline panel)	1pc	34	0.5mm Adjustment Spacer x36"	1pc

#### Packing List B- U-channel Box 1 - SHDR-AC2402-01 / 04 / 06

09	U-channel 1 (76", wall profile)	2pc	23	Countersunk screw ST4.2x40	14pcs
13	Ø5/16" Wall anchor	14pcs	29	U-channel 2 (44", bottom profile)	2pc

#### Packing List C - U-channel Box 2 - SHDR-AC2403-01 / 04 / 06

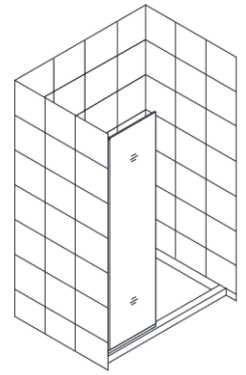
09	U-channel 1 (76", wall profile)	1pc	29	U-channel 2 (44", bottom profile)	2pcs
13	Ø5/16" Wall anchor	22pcs	30	90° Corner Bracket	1pc
23	Countersunk screw ST4.2x40	22pcs			

**\* ATTENTION:** The Anti-water strips packaged with your glass labeled for "(inline panel) (19)" and "(enclosure) (20)" are only used with the "Unidoor Plus door and panel(s) Enclosure" installation and are unnecessary with the LINEA panels. Also, there will be extra screws, anchors and adjustment spacers left over after your installation.

## Configuration 1

### 30" or 34" In-Line Stationary Panel Installation

one box from Packing List A  
one box from Packing List B



**NOTE:** This model is fully reversible. The **Left wall installation is shown** in the following installation steps. For Right wall installation, simply reverse the orientation of your installation and begin on the opposite wall.

1. Trim the **0.5mm Adjustment spacer (#34)** into several 2" pieces. Insert three to four 2" pieces of the **0.5mm adjustment spacers (#34)** into the **U-channel 2 (#29) (bottom profile)**. These are used as setting blocks to protect the glass.
  - Slip the **U-channel 2 (#29) (bottom profile)** and uncut **U-channel 1 (#09) (76" wall profile)** onto the **Stationary glass (#11)** as shown.
  - Place the **Stationary glass (#11)** with the **U-channels 1 & 2** onto the threshold (Fig 1.2).
  - Adjust the **Stationary glass (#11)** and **U-channel 1 (#09) (76", wall profile)** against the wall to compensate for any out of plumb conditions, (not to exceed 1/2") ensuring that the **Stationary glass (#11)** is level vertically and **U-channel 1 (#09)** is flush with the wall.
  - Make certain that your bottom channel is parallel to the outside of your threshold. Use a level while adjusting your glass to verify that it is plumb.

**See Fig. 1 for details**

2. Mark the end of the **U-channel 2 (#29) (bottom profile)** opposite of the wall at the exposed vertical glass edge.
  - Mark the top of **U-channel 1 (#09) (wall profile)** flush with the top of the glass (Fig 1.4 & 1.5).
  - Mark the position of both u-channels on the wall and threshold from inside the shower area (Fig 1.6).

**See Fig. 1 for details**

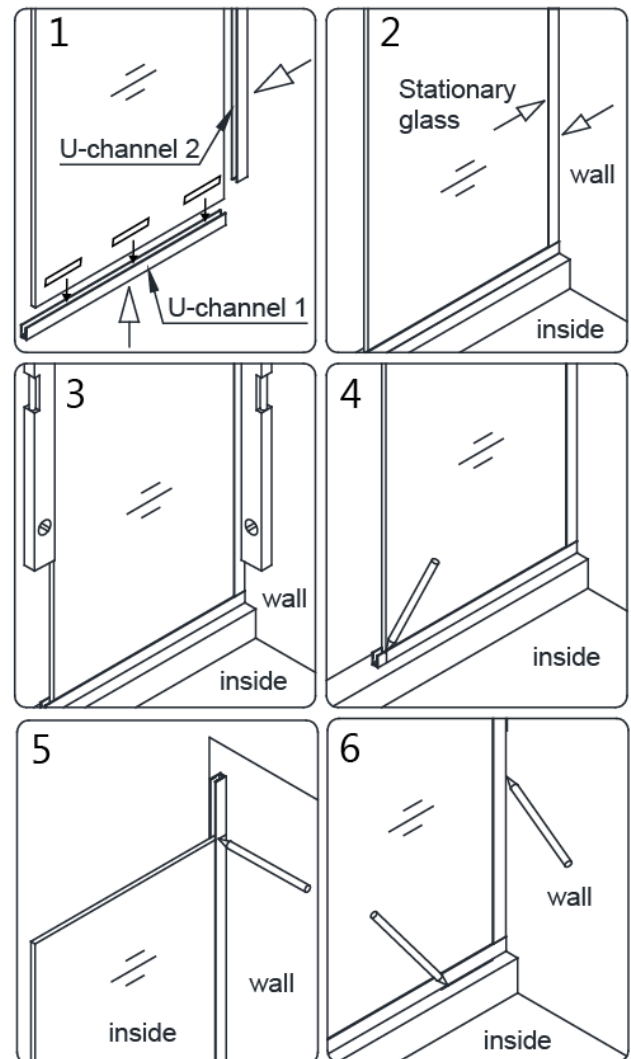


Fig. 1

3. Remove the **U-channel 2 (#29) (bottom profile)** and the **U-channel 1 (#09) (wall profile)** and carefully set the **Stationary glass (#11)** aside.

- Cut the **U-channel 2 (#29) (bottom profile)** and the **U-channel 1 (#09) (wall profile)** to your mark.
- Use a metal file to remove any burrs from the cut ends and eliminate any stray metal shavings from the u-channels before placing them onto the glass.

See Fig. 2 for details

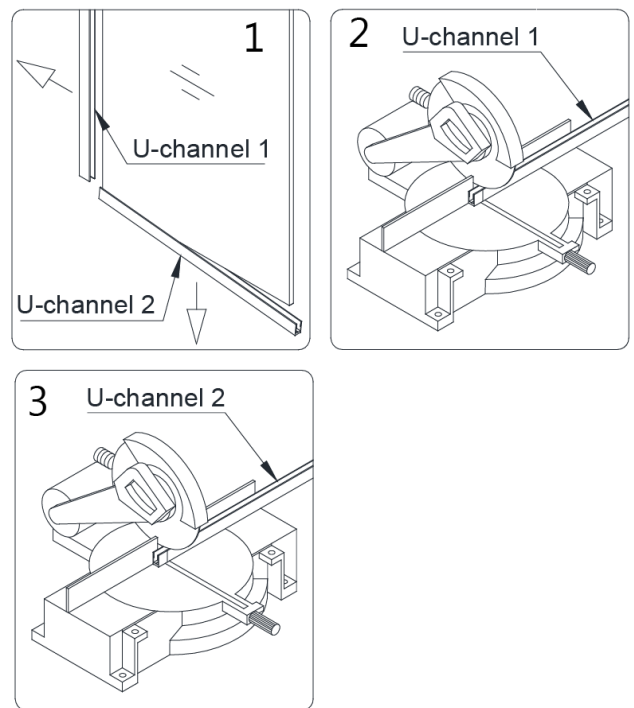


Fig. 2

4. Position the **U-channel 2 (#29) (bottom profile)** onto the threshold along your line and mark the position of the holes for drilling. You need to use at least 3 holes for the **U-channel 2 (#29) (bottom profile)**: one near each end and one near the center.

- Drill the holes into the threshold using an **1/8" Ø** drill bit.
- Apply a bead of silicone to the bottom of the **U-channel 2 (#29) (bottom profile)** and attach it to the threshold using the **ST4.2 x 40mm screws (#23)**.

See Fig. 3 for details

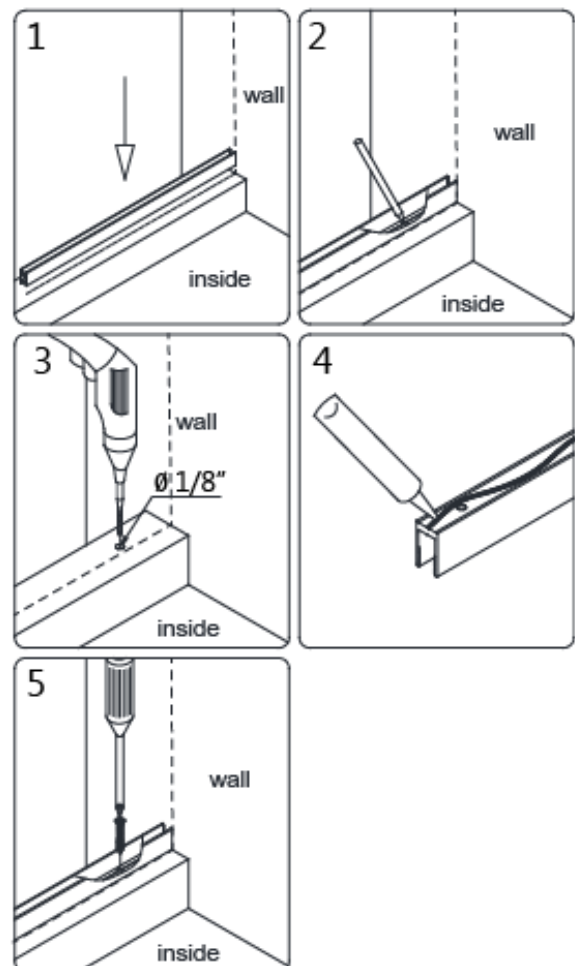


Fig. 3

5. Next, position the **U-channel 1 (#09) (wall profile)** along your vertical line and mark the position of the holes for drilling. You need to use at least four holes for the **U-channel 1 (#09) (wall profile)**.

- Drill the holes into the wall using a **5/16" Ø** drill bit.
- Insert the **wall anchors (#13)** into your 5/16" holes.
- Apply silicone to the back of the **U-channel 1 (#09) (wall profile)** and attach it to the wall using the **ST4.2 x 40mm screws (#23)**.

See Fig. 4 for details

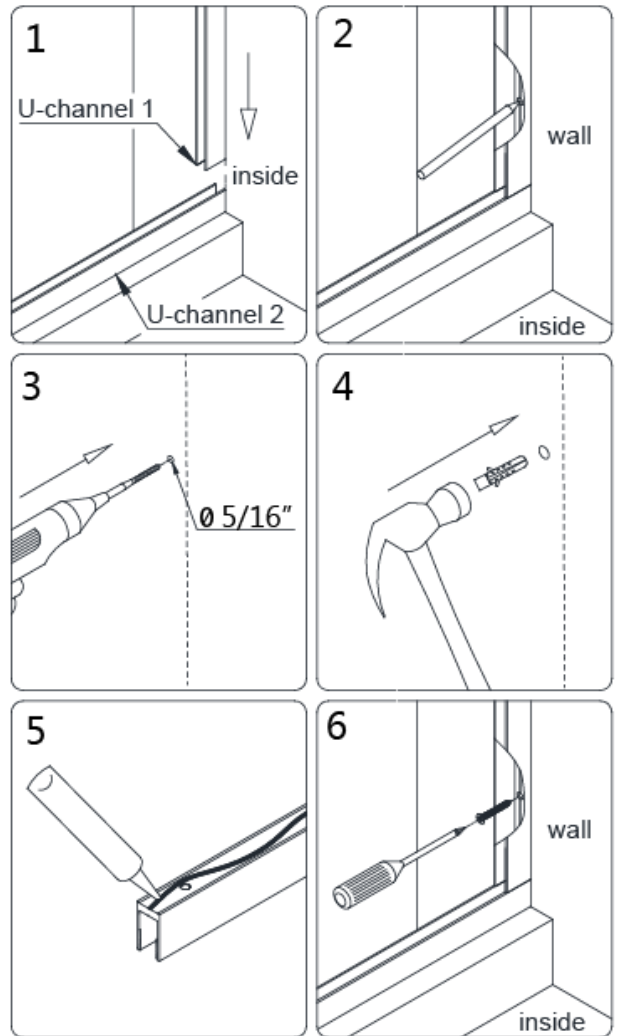


Fig. 4

6. Apply good quality mildew resistant silicone into both u-channels.

- Add the **0.5mm Adjustment spacers (#34)** from step#2 into to the bottom u-channel (Fig 5.3)
- Install the **Stationary glass (#11)** into **U-channel 2 (#29)** (bottom profile) and the **U-channel 1 (#09) (wall profile)**. You may gently tap on the glass using a block of wood and a mallet. Apply silicone to the exposed end of the U-channel (Fig. 5.6).

See Fig. 5 for details

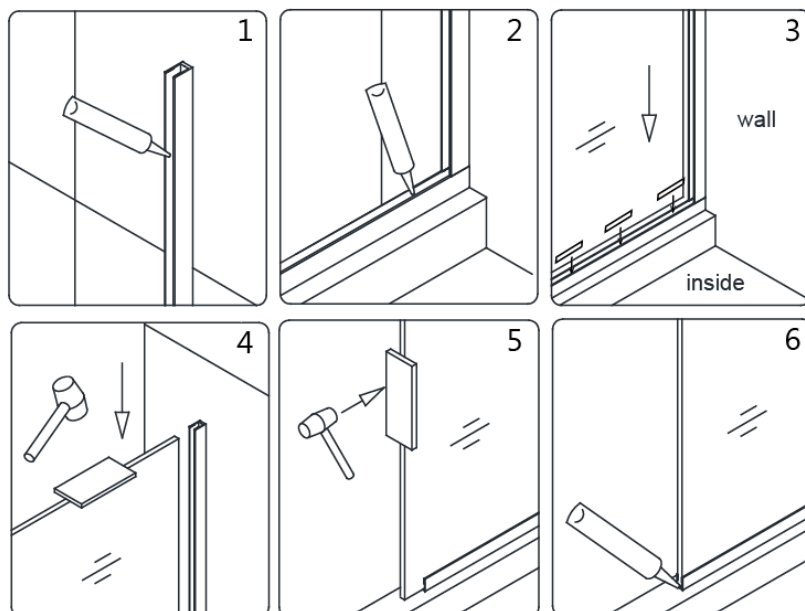


Fig. 5



The glass surface with the **ClearMax™** label must be installed to face inside of the shower



**7.** Apply a good quality mildew resistant silicone along the **U-channel** where it meets the wall and threshold from **inside** of the shower. You may also apply silicone along the outside if desired.

**See Fig. 6 for details**

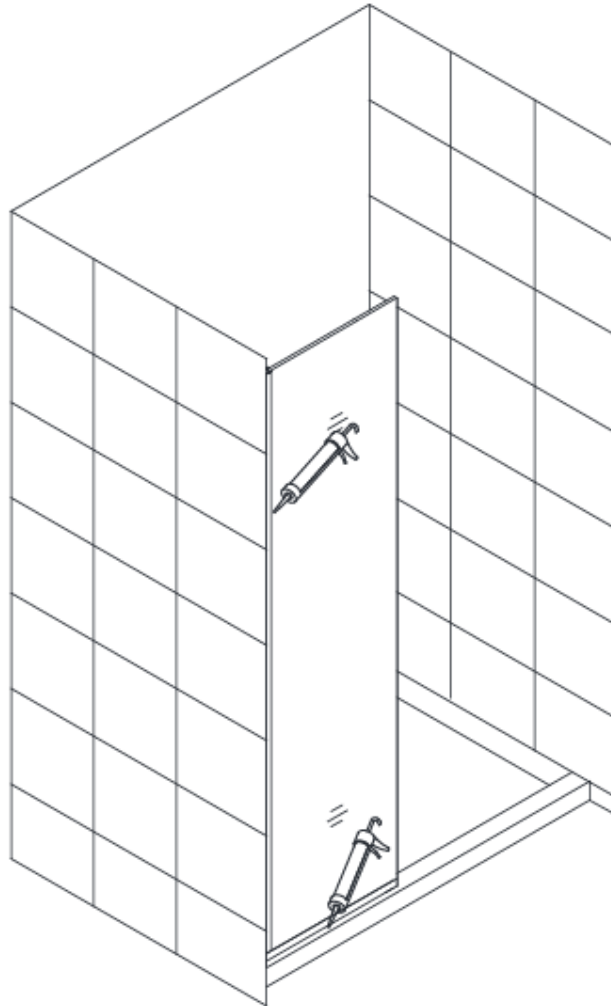


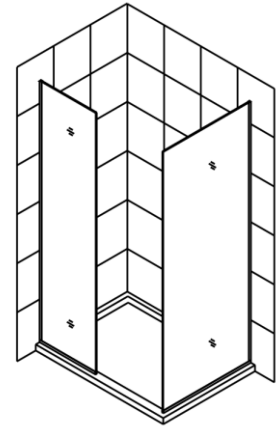
Fig. 6

**Allow 24 hours for the silicone to cure before first use.**

**Configuration 2**  
**30" x 30", 30" x 34", 34" x 30", 34" x 34"**  
**In-Line & Return Stationary Panel Installation**

two boxes from Packing List A  
two boxes from Packing List B

**NOTE:** This model is fully reversible. The **installation is shown with the return panel to the right** in Fig. 7. For installation with the return panel to the left, simply reverse the orientation of your installation and begin on the opposite wall.



8. The installation of these two panels will be identical to the single panel installation.
- **Follow Steps 1 through 7** to install each panel separately.
  - Centering the panels on the threshold may be acceptable. However, for proper alignment it is recommended that you install the return panel first (*for example*, the panel on the right in Fig. 7) in order to align your second panel. You will need to mark a line on the threshold to determine where to install this second panel.

**See Fig. 7 for details**

9. After both panels are installed, apply a good quality mildew resistant silicone along the **U-channel** where it meets the wall and threshold from **inside** of the shower. You may also apply silicone along the outside if desired.

**See Fig. 8 for details**

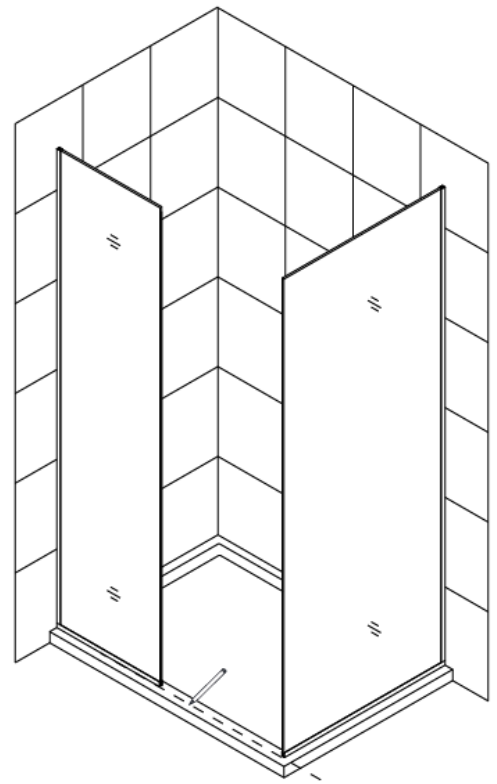


Fig. 7

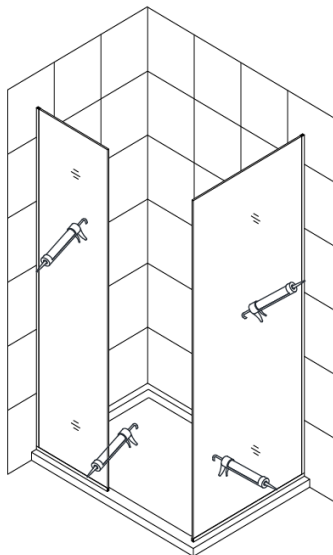


Fig. 8



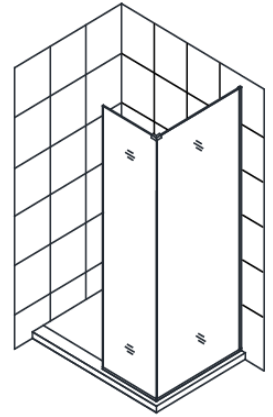
The glass surface with the **ClearMax™** label must be installed to face inside of the shower

**Allow 24 hours for the silicone to cure before first use.**

### Configuration 3

## 30" x 30", 30" x 34", 34" x 30", 34" x 34" In-Line with Stationary Panel enclosure Installation

two boxes from Packing List A  
one box from Packing List C



**NOTE:** This model is fully reversible. The installation is shown with the return panel to the right in the following installation steps. For installation with the return panel to the left, simply reverse the orientation of your installation and begin on the opposite wall.

See Fig. 9 below for a sample layout of the components for this configuration. Your panel sizes may be either of equal size or different sizes depending on your model number. (30" x 34" shown)



The glass surface with the **ClearMax™** label must be installed to face inside of the shower

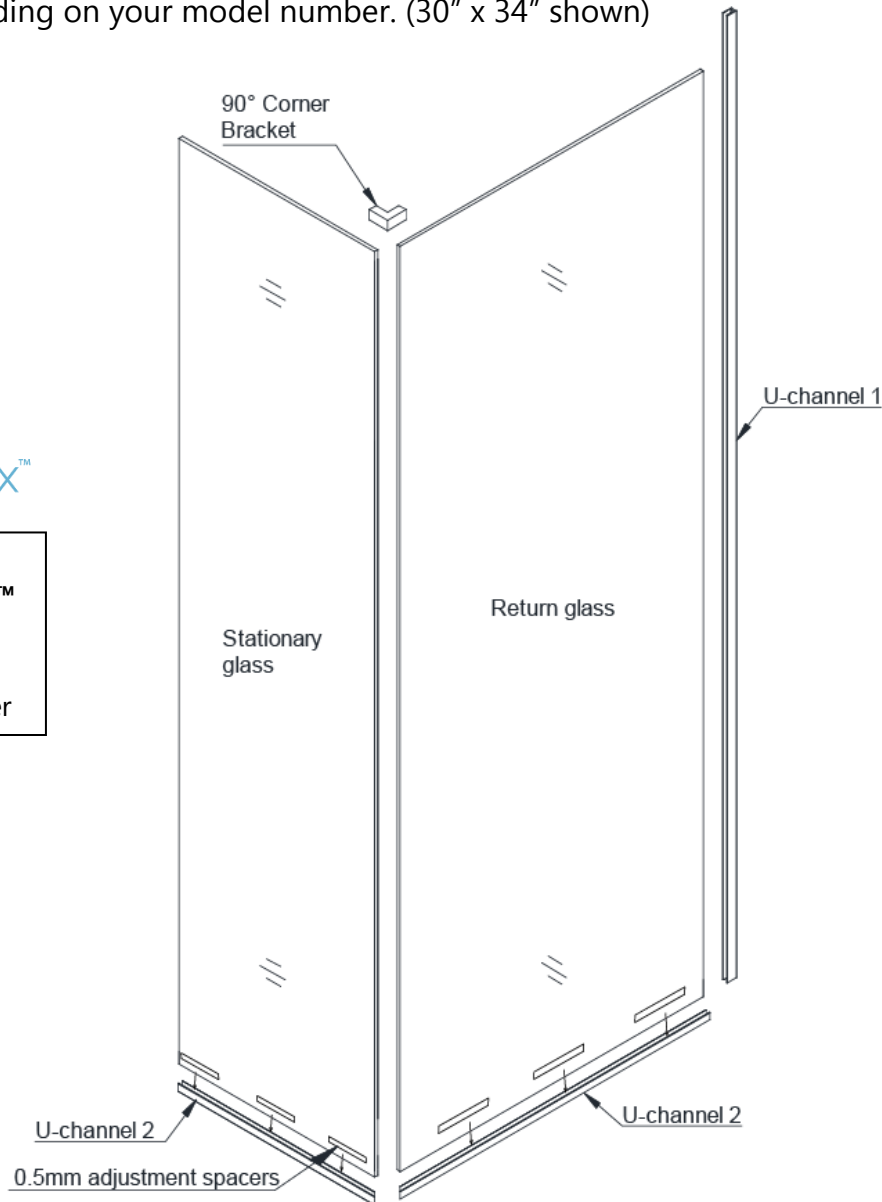


Fig 9

**NOTE: \*All 45° cuts are from the outside dimension (tip-to-tip)**

Use a metal file to remove any burrs from the cut ends and eliminate any stray metal shavings from the u-channels before placing them onto the glass.

**10.** Add three to four 2" pieces of the **0.5mm Adjustment spacer (#34)** into the **U-channel 2 (bottom profile) (#29)**.

- Slip the rough cut **U-channel 2 (bottom profile) (#29)** and uncut **U-channel 1 (76", wall profile) (#09)** onto the return panel **stationary glass (#11)** as shown (Fig 10.1).
- Place the **Stationary glass (#11)** with the **U-channels 1 & 2** onto the threshold against the wall at the proper dimension for the model size. (Fig 10.2).
- Adjust the **Stationary glass (#11)** and **U-channel 1 (wall profile) (#09)** against the wall to compensate for any out-of-plumb conditions, (not to exceed 1/2") ensuring that the return panel **Stationary glass (#11)** is level vertically and both **U-channel 1 (wall profile) (#09)** and **U-channel 2 (bottom profile) (#29)** are flush with the wall.
- Make certain that your bottom channel is parallel to the outside of your threshold and use a level while adjusting your glass to verify that it is plumb.
- Mark the **U-channel 2 (bottom profile)** end opposite of the wall at the exposed vertical glass edge (Fig 10.4)
- Mark the **U-channel 1 (76", wall profile) (#09)** flush with the top of the glass. (Fig 10.5)
- Mark the position of both u-channels on the wall and threshold from inside of the shower area (Fig 10.6).

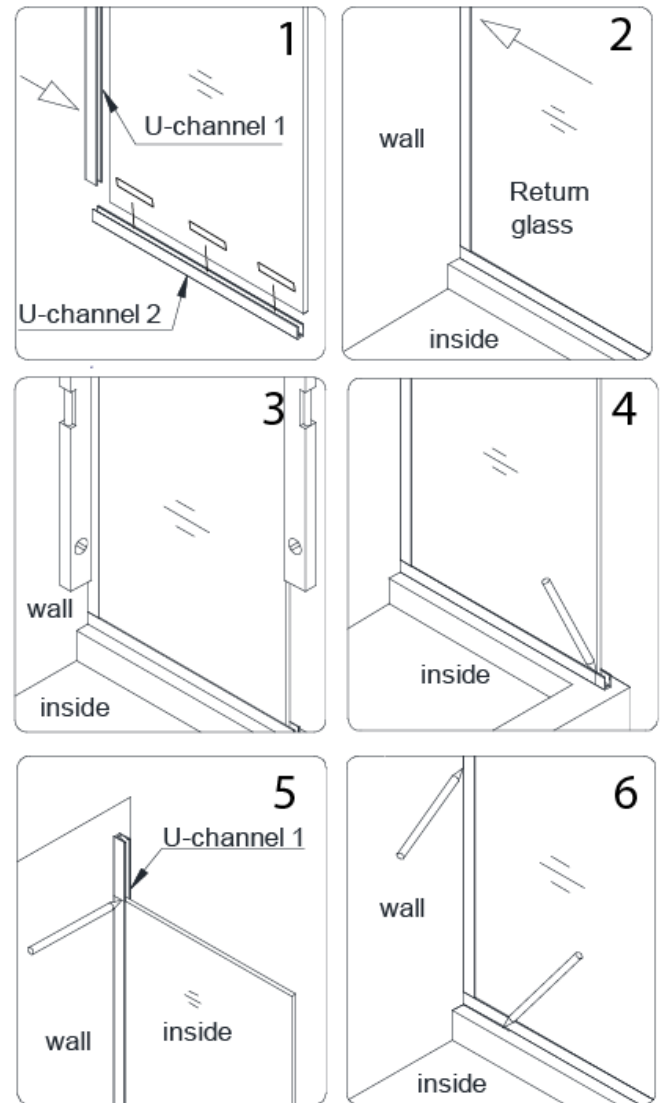


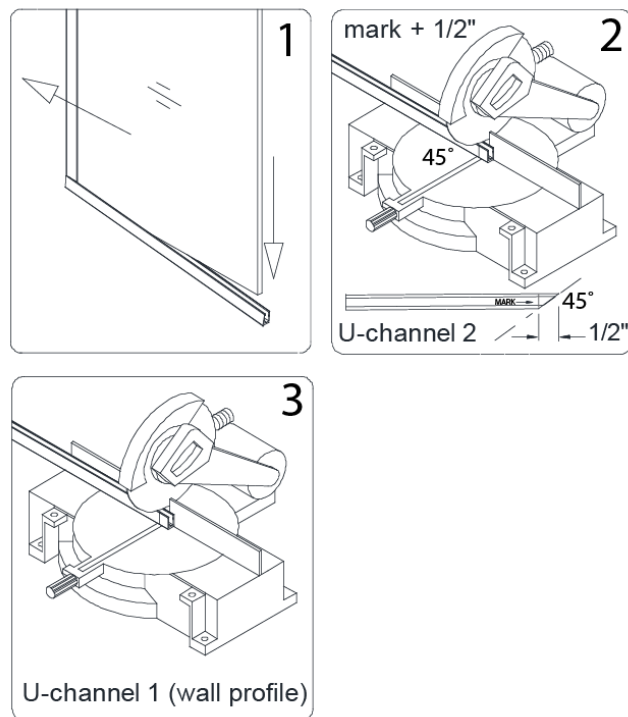
Fig. 10

**See Fig. 10 for details**

**11.** Remove the glass and U-channels from the opening. Remove the **U-channel 2 (44" bottom profile) (#29)** and **U-channel 1 (76" wall profile) (#09)** from the glass. Carefully set the return panel **Stationary glass (#11)** aside.

- Cut the **U-channel 2 (bottom profile) (#29)** at 45° to (+) 1/2" beyond the mark. (Pay attention to the direction of the miter based on your installation!) (Fig 11.2)
- Next, straight cut the **U-channel 1 (76", wall profile) (#09)** to your mark (Fig 11.3).

**See Fig. 11 for details**

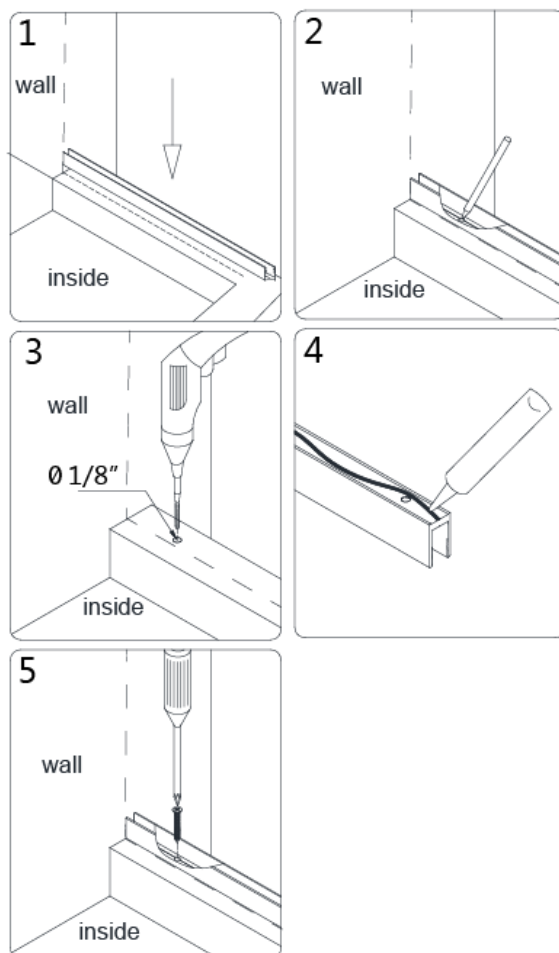


**Fig. 11**

**12.** Position the **U-channel 2 (#29)** (bottom profile) onto the threshold along your line and mark the position of the holes for drilling.

- You need to use at least 3 holes for the **U-channel 2 (#29)** (bottom profile); one near each end and one near the center.
- Drill the holes into the threshold using an **1/8" Ø** drill bit.
- Apply a bead of silicone to the bottom of the **U-channel 2 (#29)** (bottom profile) and attach it to the threshold using the **ST4.2 x 40mm screws (#23)**.

**See Fig. 12 for details**



**Fig. 12**

**13.** Next, position the **U-channel 1 (#09)** (wall profile); along your vertical line and mark the position of the holes for drilling. You need to use at least four holes for the **U-channel 1 (#09)** (wall profile).

- Drill the holes into the wall using a **5/16" Ø** drill bit.
- Insert the **wall anchors (#13)** into your 5/16" holes.
- Apply silicone to the back of the **U-channel 1 (#09)** and attach to the wall using the **ST4.2 x 40mm screws (#23)**.

See Fig. 13 & 14 for details

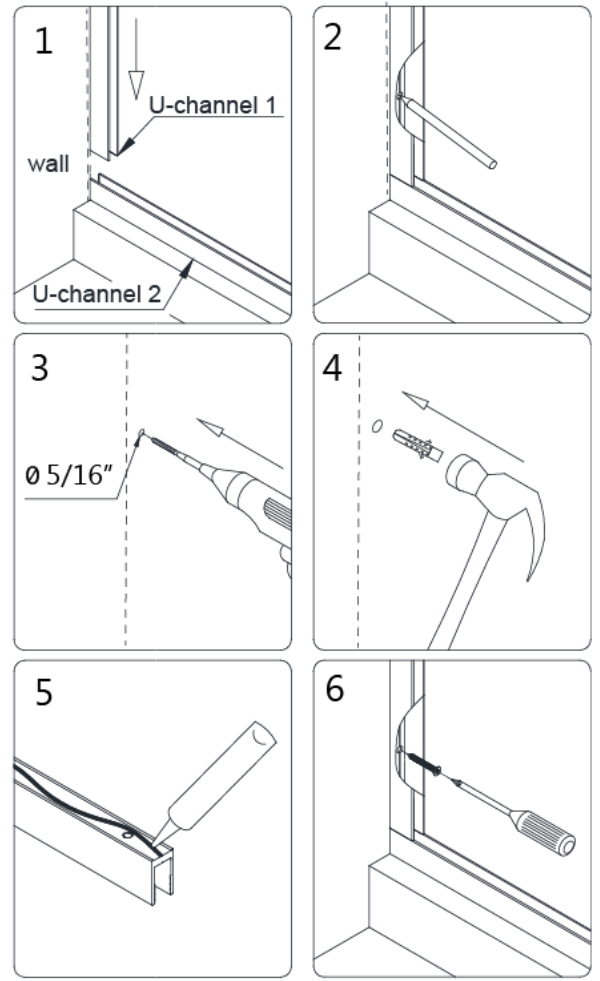


Fig. 13

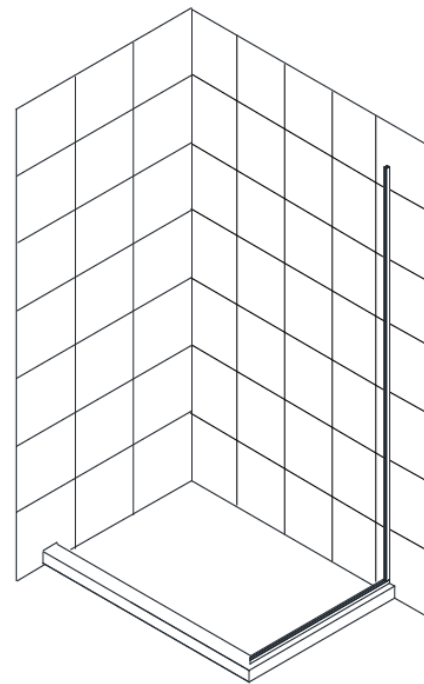


Fig. 14

**14.** Measure the actual width of your **stationary glass (#11)**.

- Use a saw to cut a 45° miter on your second **U-channel 2 (44", bottom profile) (#29)** to + **1/16"** longer than the actual width of the glass so that it will match up with the installed bottom u-channel and create a 90° corner.

**\*All 45° cuts are from the outside dimension (tip to tip)**

- Use a metal file to remove any burrs from the cut ends and eliminate any stray metal shavings from the u-channels before placing them onto the glass.

**See Fig. 15 & 16 for details**



Fig. 15

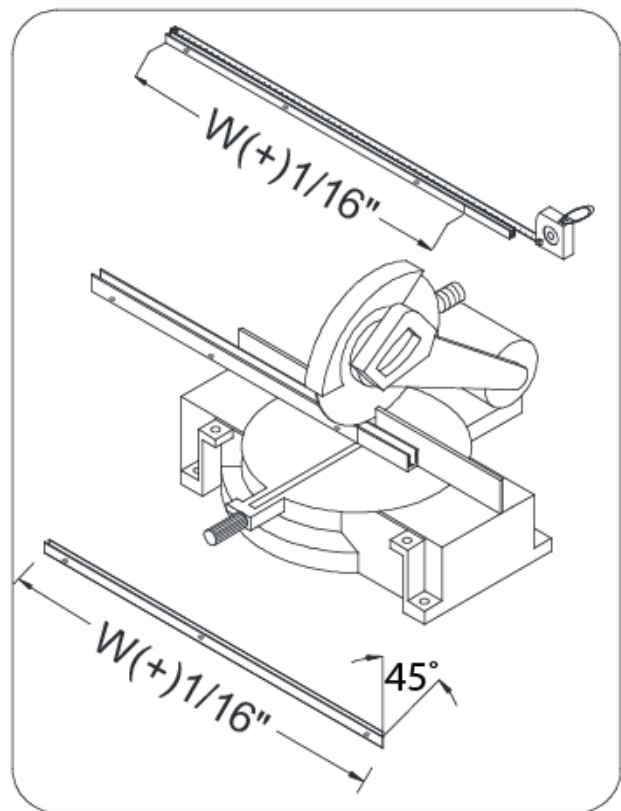


Fig. 16

- 15.** Position the **U-channel 2 (#29)** (bottom profile) onto the threshold and align the mitered corners.
- Mark the position of the holes for drilling. You need to use at least 3 holes for the **U-channel 2 (#29)** (bottom profile); one near each end and one near the center.
  - Drill the holes into the threshold using an **1/8" Ø** drill bit.
  - Apply a bead of silicone to the bottom of the **U-channel 2 (#29)** (bottom profile) and attach it to the threshold using the **ST4.2 x 40mm screws (#23)**.

See Fig. 17 & 18 for details

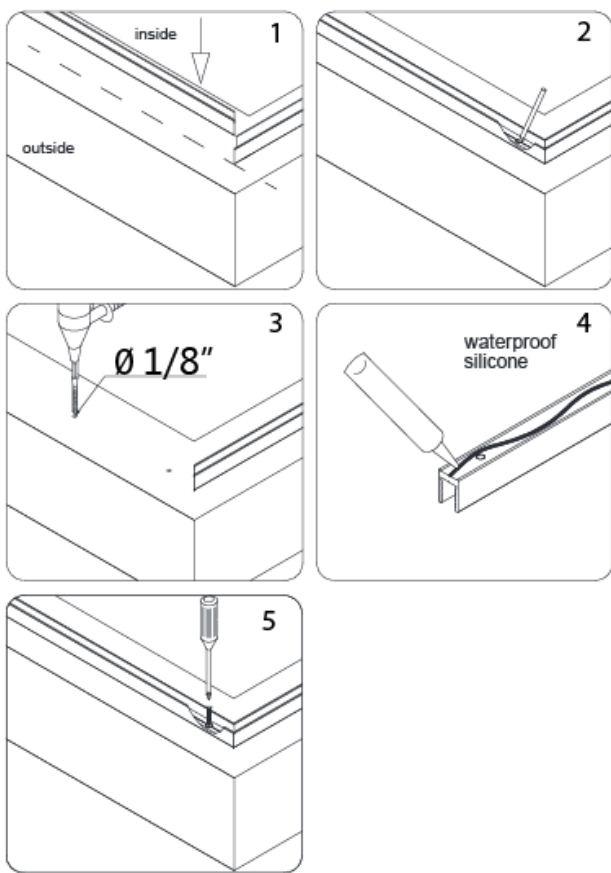


Fig. 17

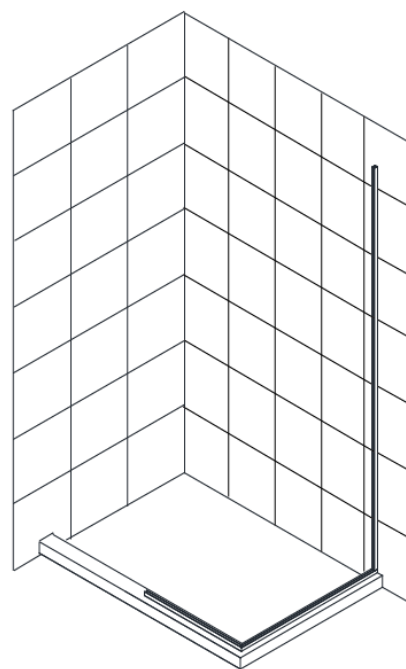
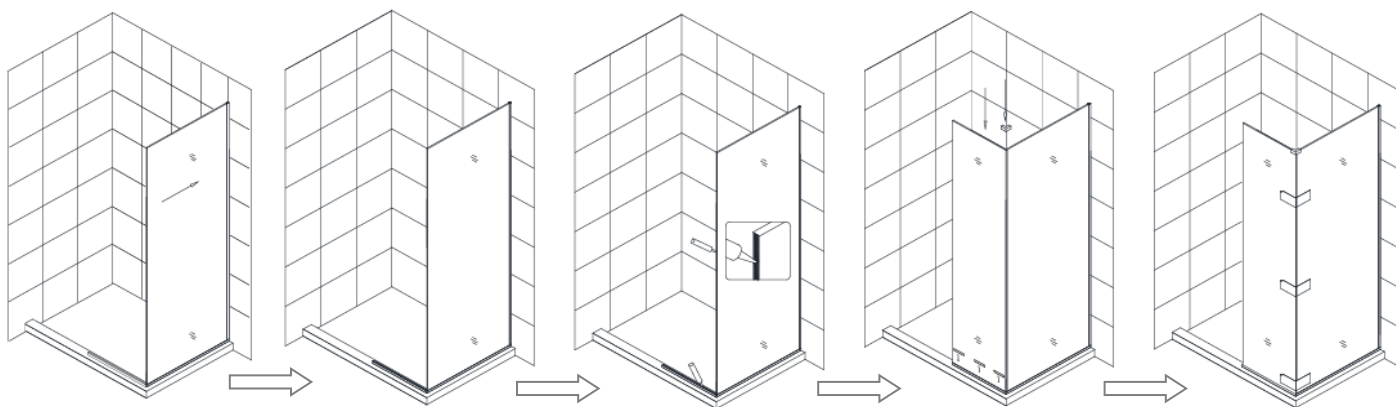


Fig. 18

**NOTE:** The next steps involve careful handling of the glass panels. It is recommended that two installers be used along with responsive communication.





## 16. Install the return panel glass first.

- Apply good quality mildew resistant silicone into bottom **U-channel 2 (#29) (bottom profile)** and the **U-channel 1 (#09) (wall profile)** for your return panel.
- Add three or four 2" pieces of the **0.5mm Adjustment spacers (#34)** into to the **U-channel 2 (#29) (bottom profile)** (Fig 7.3)
- Install the **Stationary glass (#11)** into **U-channel 2 (#29) (bottom profile)** and the **U-channel 1 (#09) (wall profile)**.
- Check the glass edge for plumb with your level. You may gently tap on the glass using a block of wood and a mallet.
- Apply silicone to the exposed end of the U-channel (Fig. 7.6).

See Fig. 19 & 20 for details

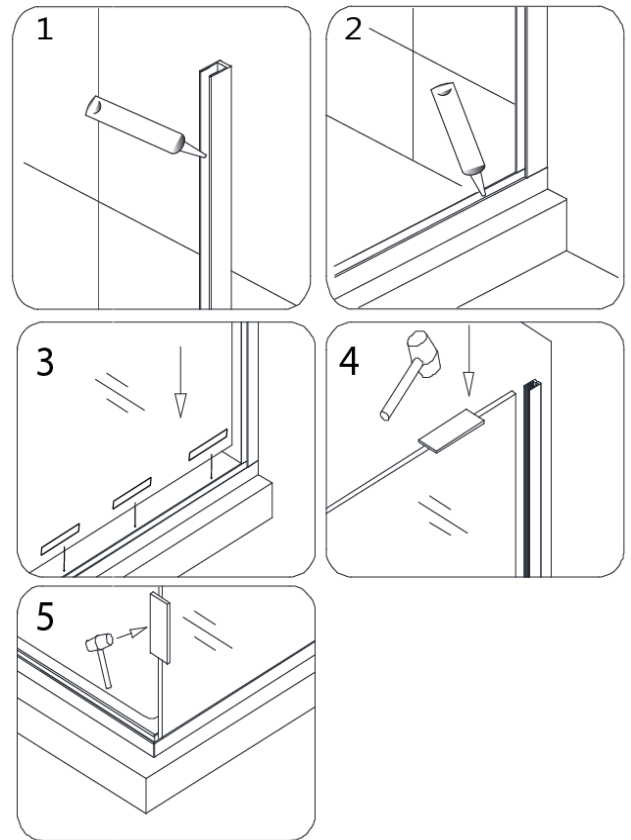


Fig. 19

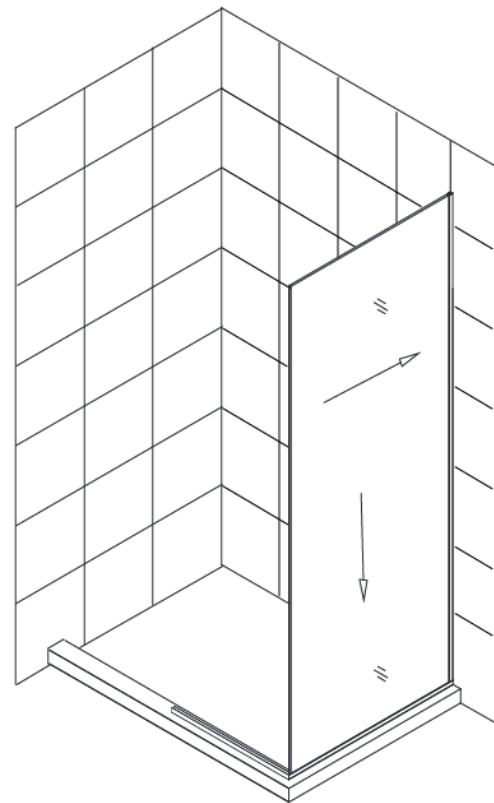


Fig. 20

**17. Neatly** apply a thin bead of good quality mildew resistant silicone to the edge of your return panel glass. (Fig 21.1).

- Carefully butt the **Stationary glass (#11)** and **Return panel glass (#11)** together to form a tight corner from bottom to top. The **Stationary glass** will cover the edge of the **Return panel glass**. You may gently tap on the glass using a block of wood and a mallet so that it is flush with the end of the bottom u-channel.
- While securely holding the two **glass panels**, attach the **90° Corner Bracket (#30)** to the top corner. Ensure that the **90° Corner Bracket (#30)** is square and the gaskets are aligned properly before tightening the glass holding screws.
- Temporarily secure the butt-glazed corner of the **glass panels** with several strips of **Painter's tape**.
- Neatly apply a thin bead of silicone to the inside corner from top to bottom.

**See Fig. 21 & 22 for details**

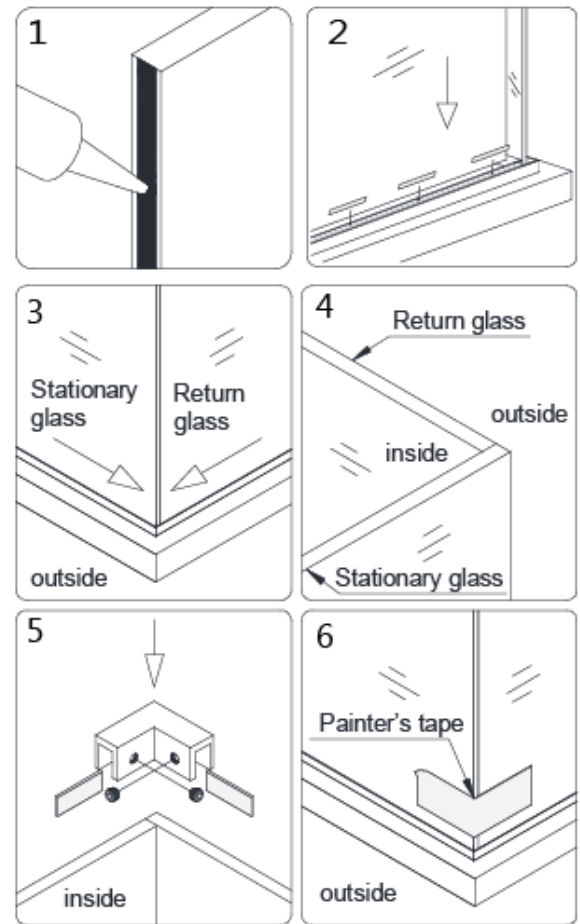


Fig. 21

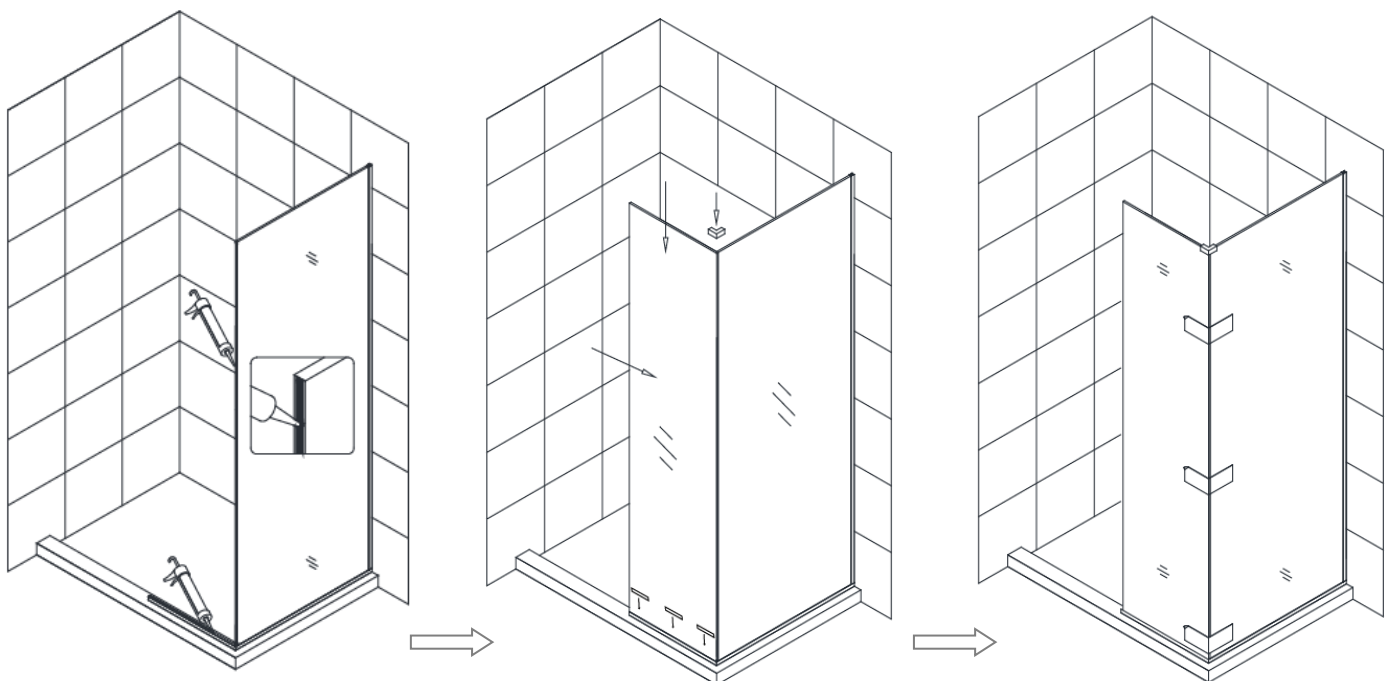


Fig. 22

**18.** Apply good quality mildew resistant **silicone** where the U-Channels meet the wall and threshold from the **inside** of the shower. Carefully apply an even bead of silicone down the **inside corner** where the glass panels meet. Remove the painter's tape after 24 hours or once the silicone has fully cured.

**See Fig. 23 for details**

**NOTE: Surfaces need to be clean and free of debris before applying silicone.**

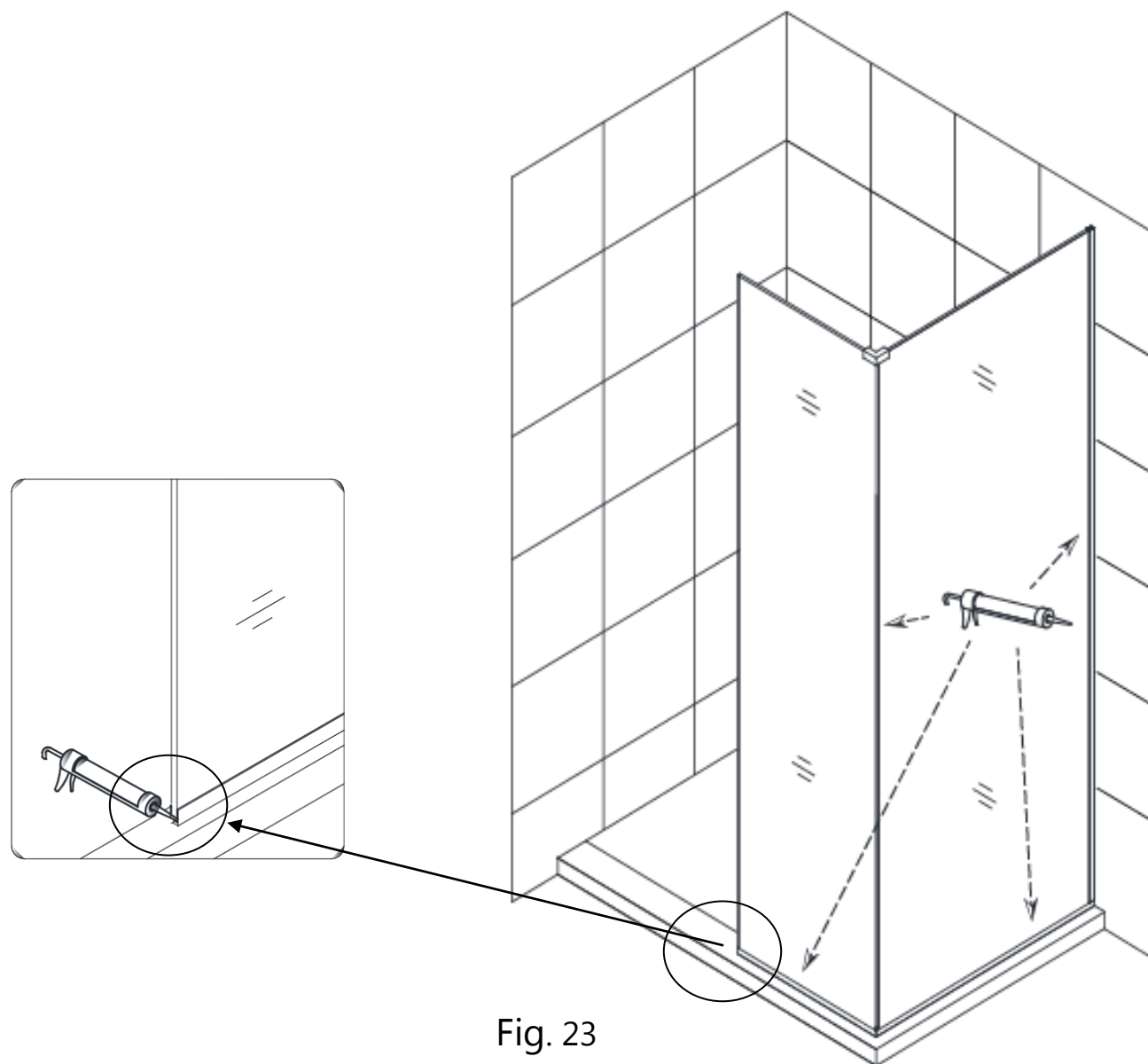


Fig. 23

**Allow 24 hours for the silicone to cure before first use.**

## **Product Maintenance**

**BASES and BACKWALLS:** To ensure long lasting life for your acrylic back walls: wipe them off after each use with a soft cloth. To clean the acrylic back walls use non-abrasive sprays or cream based cleaners. Avoid the use of aerosol spray cleaners. Never use abrasive cleansers, metal brushes or scrapers that could scratch or dull the surface.

**GLASS:** To ensure long lasting life for your glass shower products: wipe them off after each use with a soft cloth. Rinse and wipe off the glass using either a soft cloth or a squeegee to prevent soap buildup and water spots (Hard water can etch the surface of the glass over time if left to dry). To prevent scratching the surface: never use abrasive cleaners or cleaning products that contain scouring agents. Never use bristle brushes or abrasive sponges that may scratch the surface.

**HARDWARE:** To ensure a long lasting finish: wipe off the metal parts after each use with a soft cloth. Do not use abrasive cleaners or cleaning products containing ammonia, bleach or acid. If accidentally used, rinse the surface as soon as possible to prevent damage to the finish (peeling or corrosion). After cleaning the polished finishes, rinse thoroughly and wipe dry with soft cloth. Clean stainless steel surfaces at least once a week. When applying stainless steel cleaner or polish to stainless steel hardware, work with (not across) the grain. Never use an abrasive sponge or cloth, steel wool or wired brush as these may permanently scratch the surfaces.

**NOTE:** To maximize the life of your door, it is important to regularly inspect the glass and other hardware for misalignment, proper attachment, and/or damage. Contact DreamLine with any questions or concerns.



---

TEL: [866-731-2244](tel:866-731-2244)

FAX: [866-857-3638](tel:866-857-3638)

[DREAMLINE.COM](http://DREAMLINE.COM)

For more information on [DreamLine® Shower Doors](http://DreamLine.com) and [Enclosures](http://DreamLine.com) please visit [DreamLine.com](http://DreamLine.com)