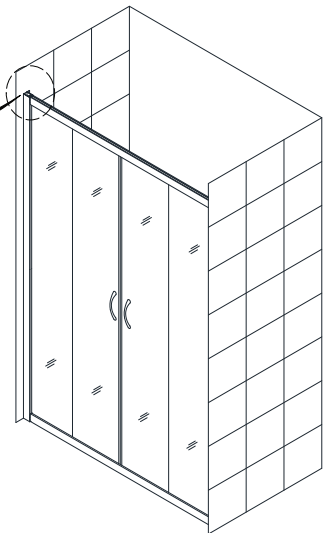
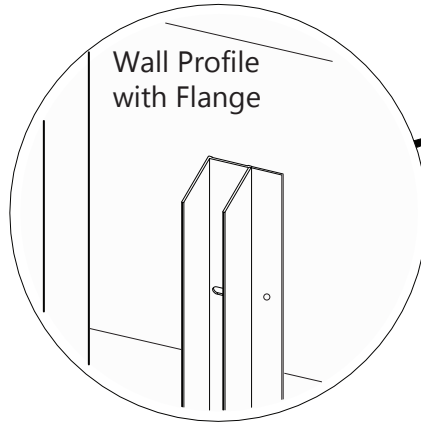
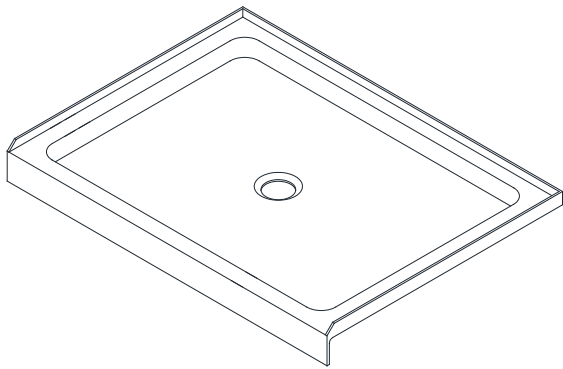


VISIONS

SHOWER DOOR & BASE INSTALLATION INSTRUCTIONS



STEP 1: Shower Base Installation Instructions

STEP 2: Shower Door Installation Instructions

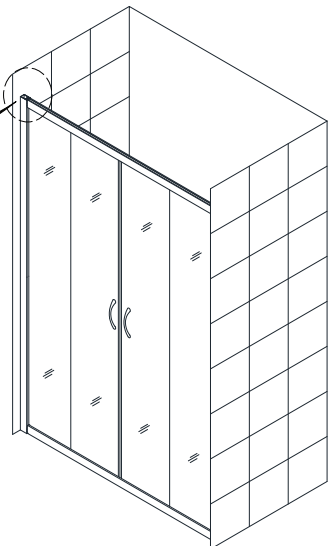
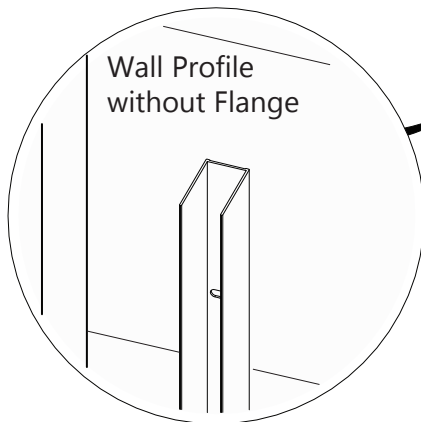
OR

! CHOOSE the **APPROPRIATE MANUAL** for your model version

Wall Profile **WITH** Flange:
VISIONS Manual Ver 1 Rev 7 072015

OR

Wall Profile **WITHOUT** Flange:
VISIONS Manual Ver 2 082018



Questions?

Please Call DreamLine Customer Support: **1-855-831-2126**
Hours of Operation M-F 8AM - 7PM EST and Saturday 9AM - 5PM EST

Support@DreamLine.com



For more information about DreamLine[®] products please visit DreamLine.com

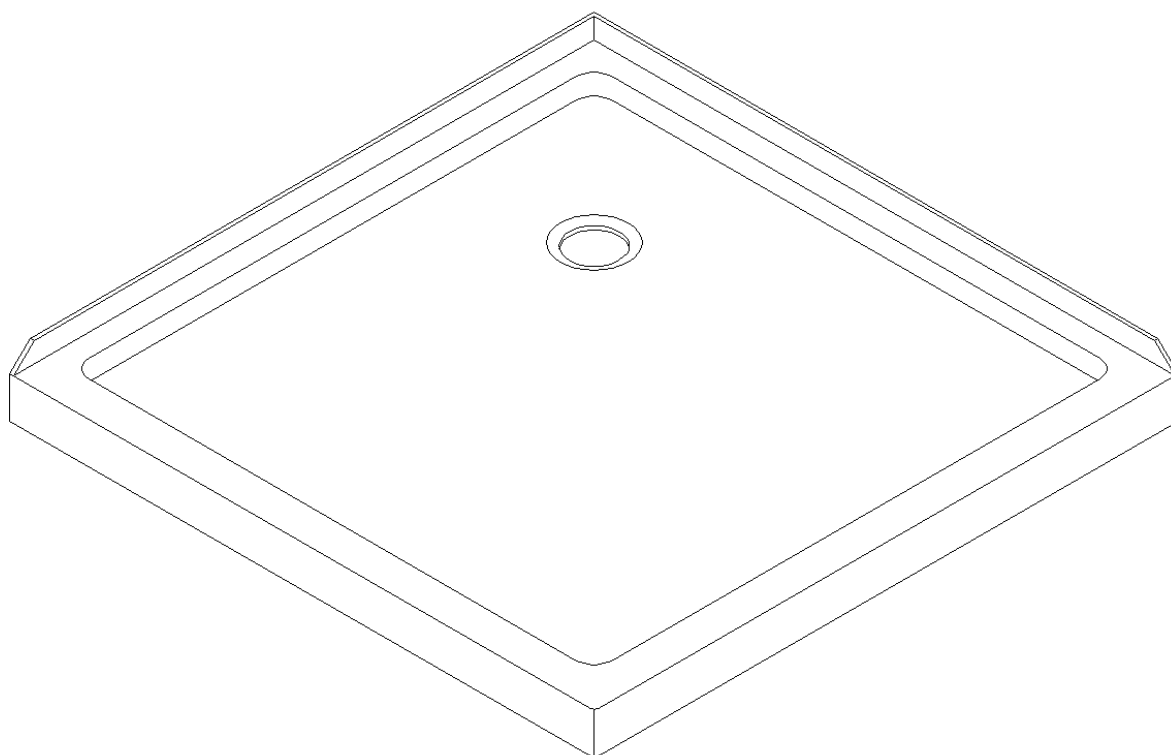


SLIMLINE SHOWER BASE

SHOWER BASE DIMENSIONS AND INSTALLATION INSTRUCTIONS

IMPORTANT

DreamLine® reserves the right to alter, modify or redesign products at any time without prior notice for the purpose of product improvement and customer experience. Please refer to the model's web page on **DreamLine.com** for the latest technical drawings, installation manuals, warranty information or additional product details.



Double Threshold Shower Base with Corner Drain Configuration
shown as an example

Color options:

- - White
- 22- Biscuit
- 88- Black

Please review this entire manual before beginning installation



Questions?

Please Call **DreamLine Customer Support: 1-855-831-2126**
Hours of Operation M-F 8AM - 7PM EST and Saturday 9AM - 5PM EST

Support@DreamLine.com



For more information about DreamLine® products please visit DreamLine.com

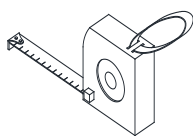
Preparation

1. Prior to installation, examine all boxes and packages for shipping damage and compare the piece count with your packing slip. After opening all boxes and packages read this introduction carefully. Check that all of the parts are included in the package by checking off the components on the parts list. If the unit has been damaged, has a finishing defect, or has missing parts, please contact our customer support department within **3 business days** of the delivery date. Please note that **DreamLine® will not replace any damaged products or missing parts free of charge after 3 business days or if the product has been installed.** Please contact DreamLine® if with any questions and please provide an order number, job name or other proof of purchase to help identify the original order.
2. Install all of the required plumbing and drainage before installing the shower base. **Use a competent and licensed (if required by local code) plumber for all plumbing installation.**
3. **Shower bases must be installed by a licensed plumber. Please note that you should consult your local building codes with questions on installation compliance standards. Building and plumbing codes may vary by location and DreamLine® is not responsible for code compliance standards for your project.**
4. Make sure that prior to the installation the installation surface is leveled and solid and will be able to support the total weight of the unit. Also make sure the walls are at right angles. While some adjustment in leveling of the tray is possible, irregular installation surface level or improper angle of side walls will result in serious problems for your installation. Please note that some adjustments may be necessary during the installation process.
5. **Center drain configurations are centered on the width only. See technical drawing tables for drain locations.**
6. **Drain not included with this product.** The drain opening is 3-3/8" in diameter and **accepts a standard 2" compression fitted drain.**

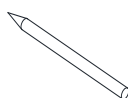
IMPORTANT NOTE:

Dimensions provided are for reference only. Measure the actual shower tray before installation. This includes overall dimensions and drain location. Allowed tolerance for center of the drain is +/-1/2".

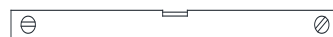
Tools Required



Tape
Measure



Pencil



Level

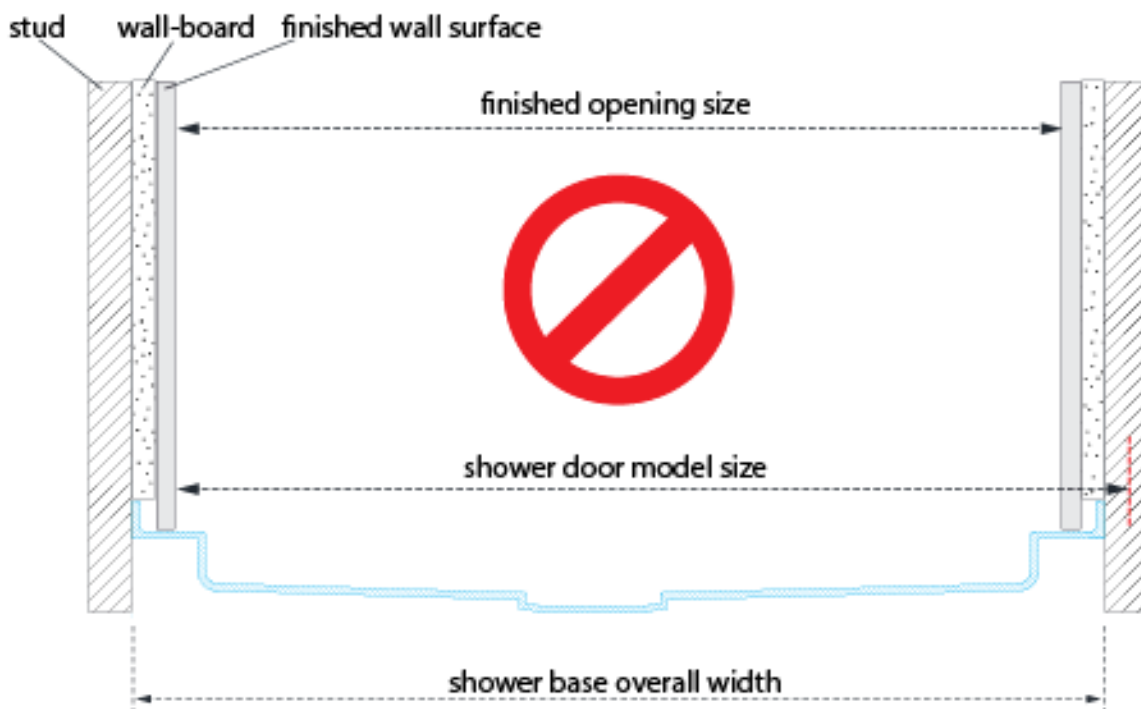
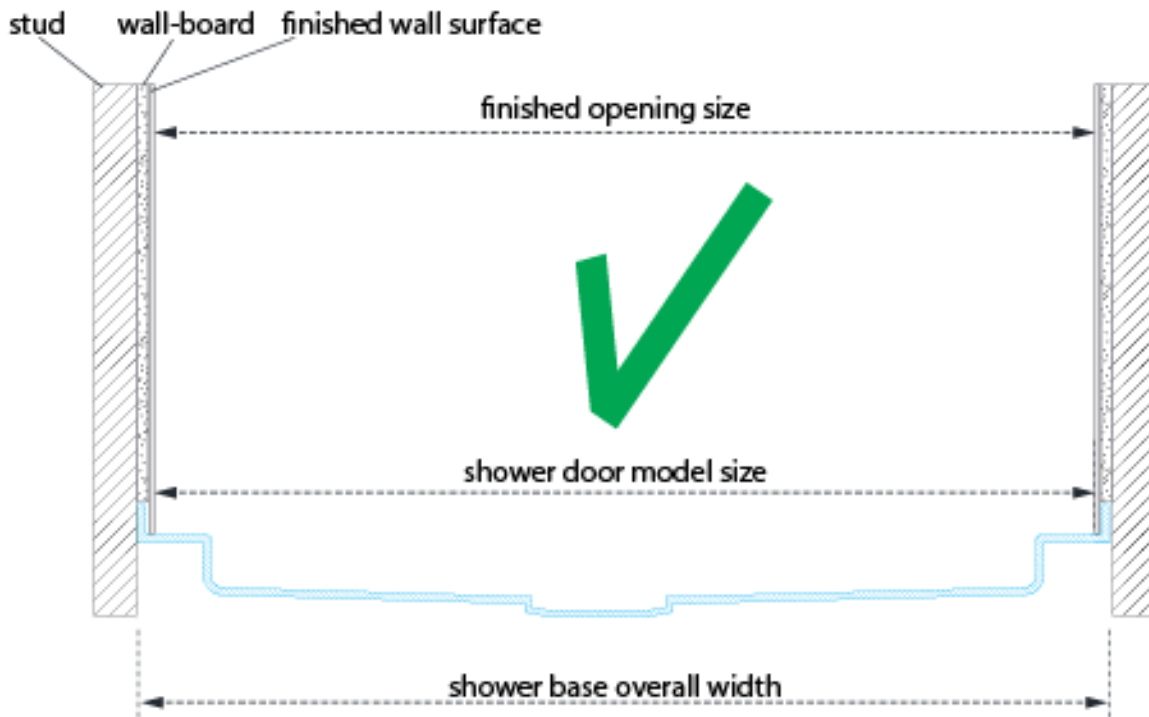


Mortar



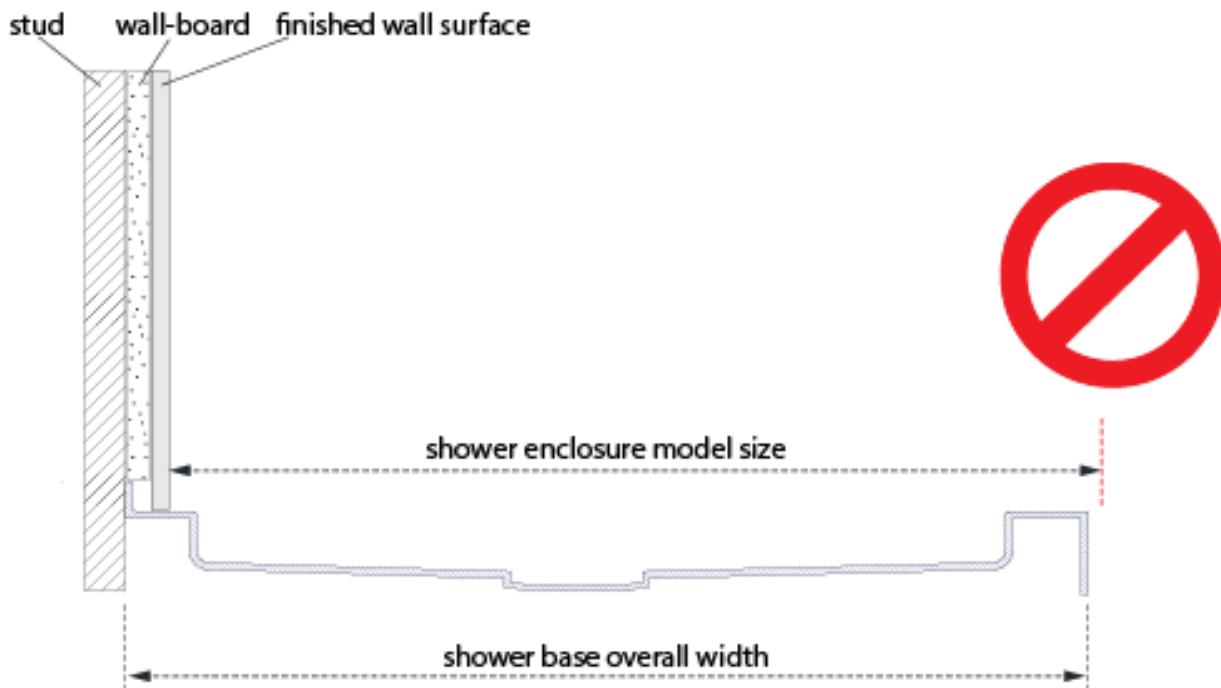
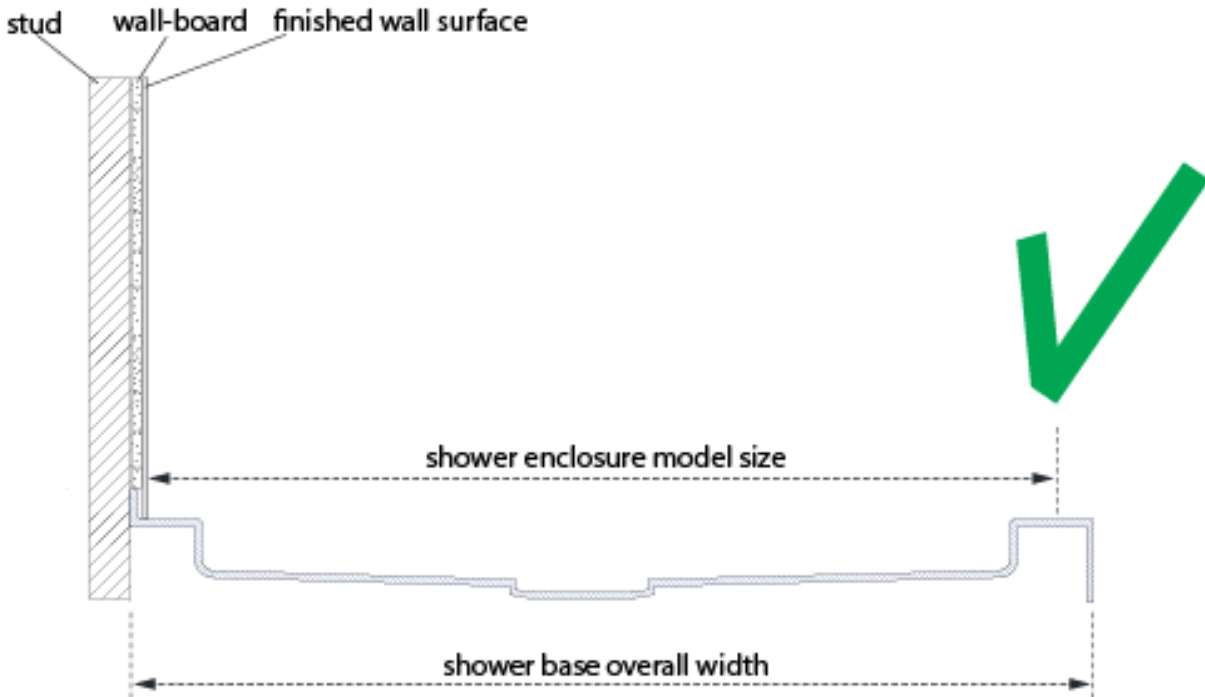
When constructing or installing a shower base, consider how **the thickness of the wall treatment (wallboard, tile, etc.) will affect the finished opening size for the shower door.**

Compare the overall dimensions of the shower door model with the finished opening size before proceeding with the installation.



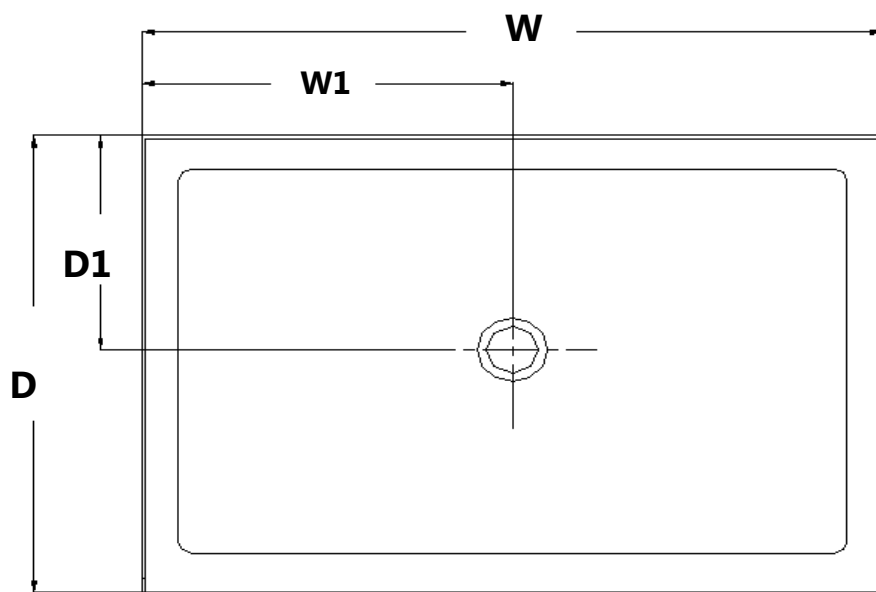
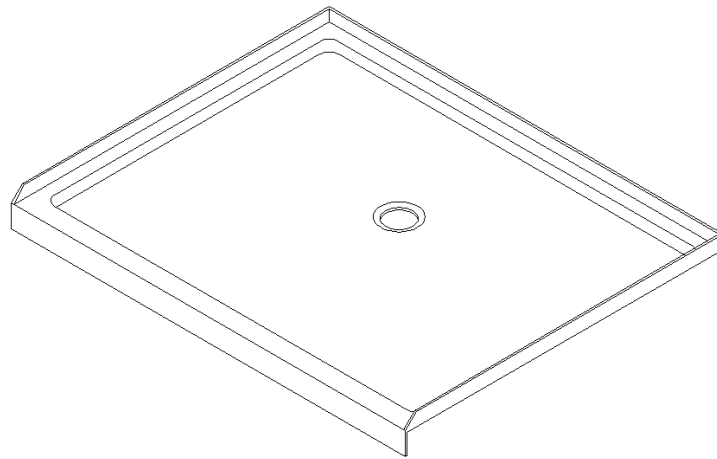


When constructing or installing a shower base, consider how **the thickness of the wall treatment (wallboard, tile, etc.) will affect where the shower enclosure will sit on the threshold.** Compare the overall outside dimensions of the shower enclosure model size with the finished threshold before proceeding with the installation.



SINGLE THRESHOLD SHOWER BASE

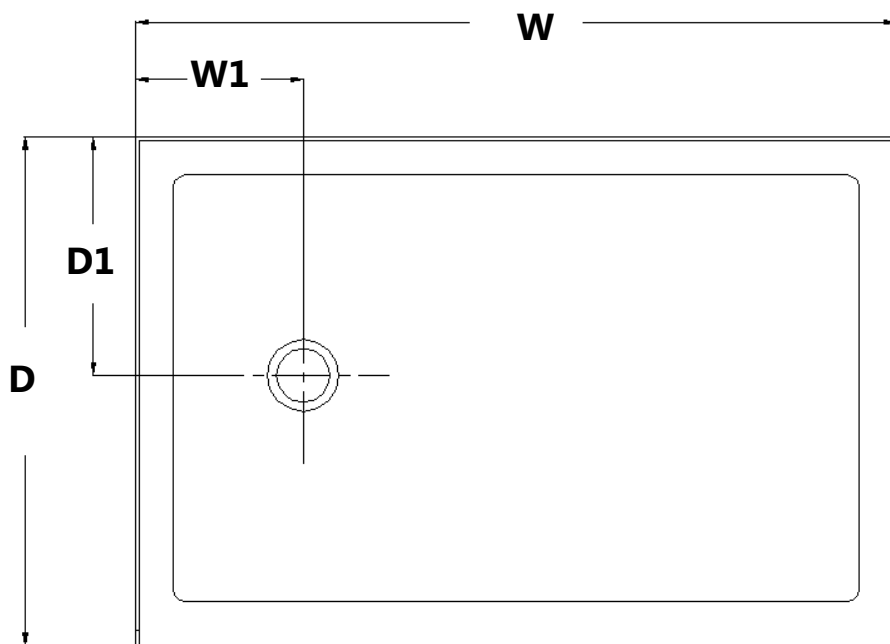
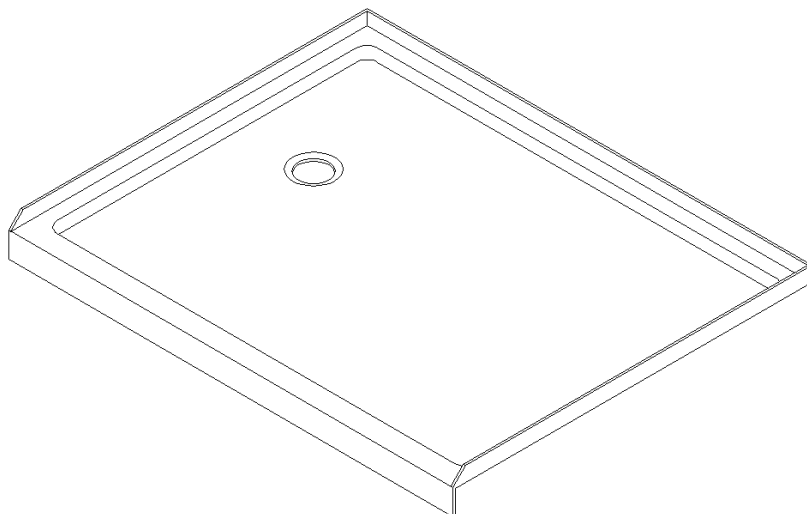
Center Drain Configuration



MODEL	SPECIFICATION	D (in)	W (in)	D1 (in)	W1 (in)
DLT-1132320	32" x 32"	32"	32"	15"	16"
DLT-1136360	36" x 36"	36"	36"	15"	18"
DLT-1132420	32" x 42"	32"	42"	15"	21"
DLT-1134420	34" x 42"	34"	42"	15"	21"
DLT-1136420	36" x 42"	36"	42"	15"	21"
DLT-1142420	42" x 42"	42"	42"	20"	21"
DLT-1132480	32" x 48"	32"	48"	15"	24"
DLT-1134480	34" x 48"	34"	48"	15"	24"
DLT-1136480	36" x 48"	36"	48"	15"	24"
DLT-1132540	32" x 54"	32"	54"	15"	27"
DLT-1134540	34" x 54"	34"	54"	15"	27"
DLT-1136540	36" x 54"	36"	54"	15"	27"
DLT-1130600	30" x 60"	30"	60"	15"	30"
DLT-1132600	32" x 60"	32"	60"	15"	30"
DLT-1134600	34" x 60"	34"	60"	15"	30"
DLT-1136600	36" x 60"	36"	60"	15"	30"

SINGLE THRESHOLD SHOWER BASE

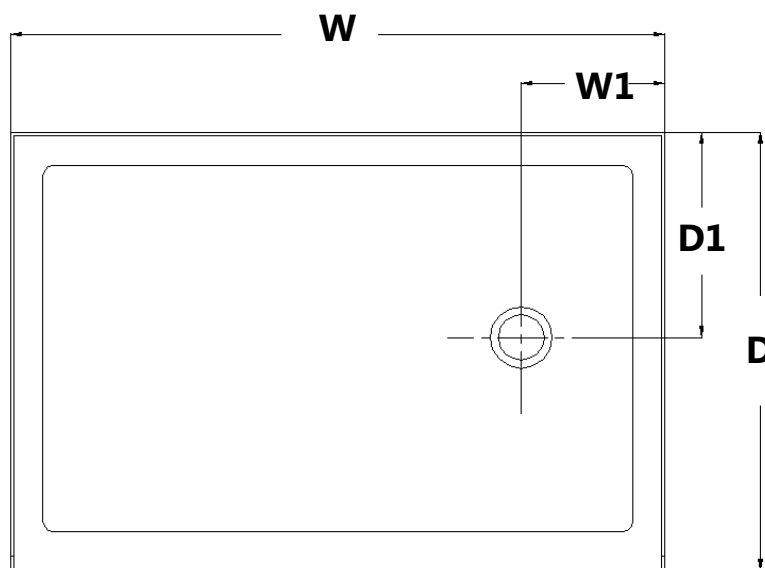
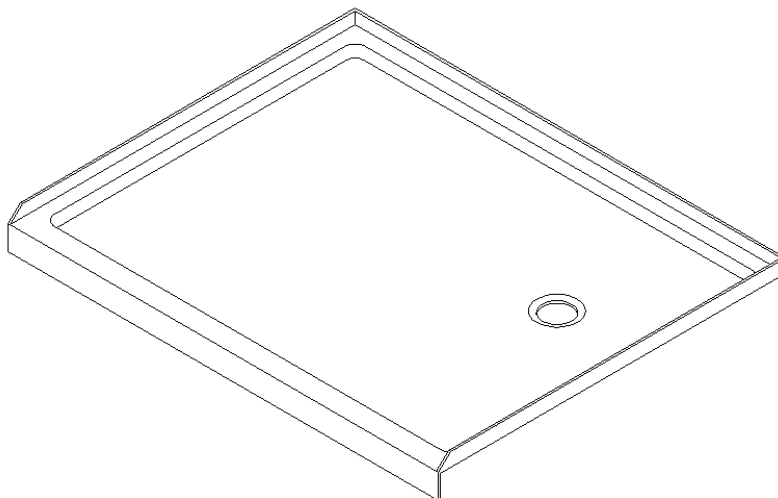
Left-Hand Drain Configuration



MODEL	SPECIFICATION	D (in)	W (in)	D1 (in)	W1 (in)
DLT-1130601	30"×60"	30"	60"	15"	12"
DLT-1132601	32"×60"	32"	60"	15"	12"
DLT-1134601	34"×60"	34"	60"	17"	12"
DLT-1136601	36"×60"	36"	60"	18"	12"

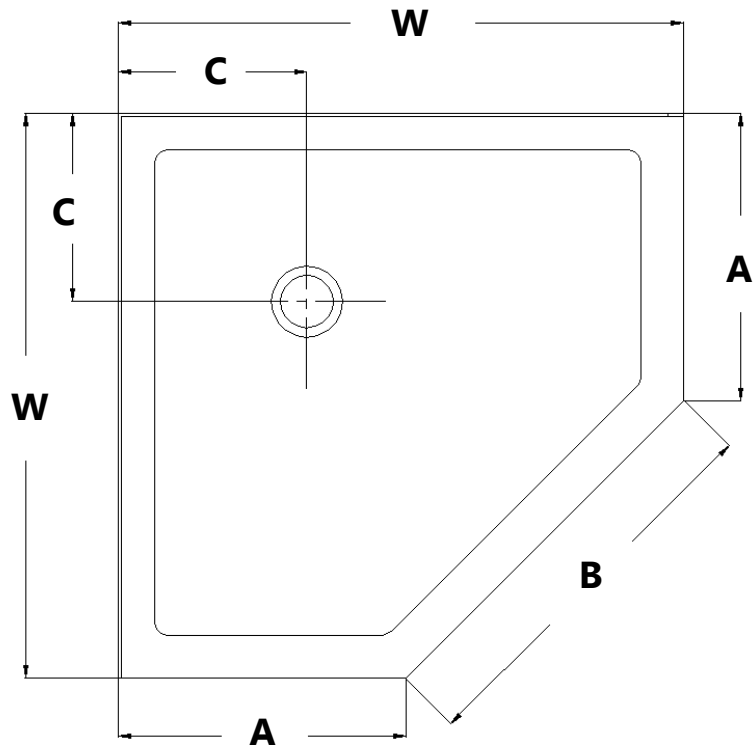
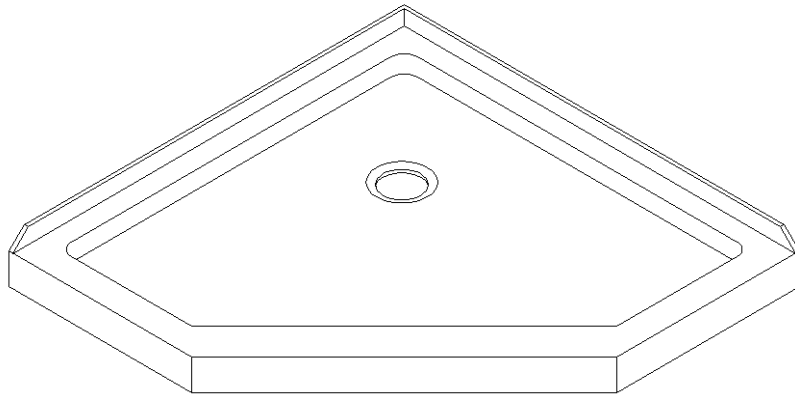
SINGLE THRESHOLD SHOWER BASE

Right-Hand Drain Configuration



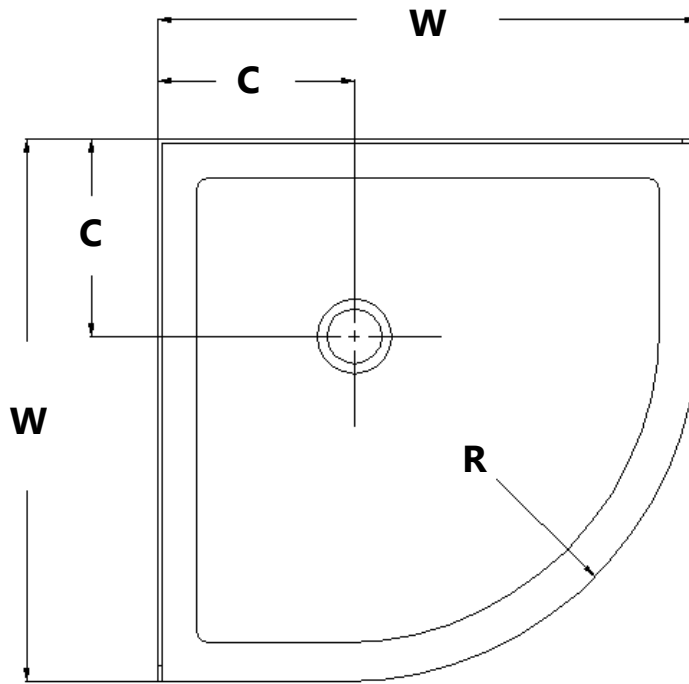
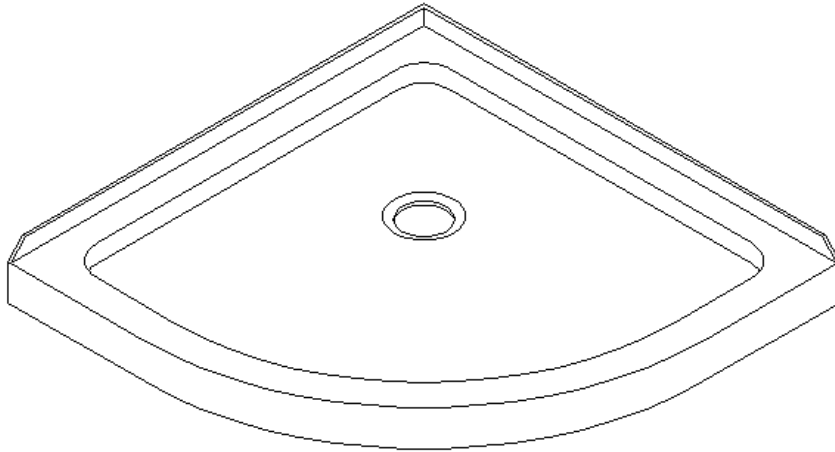
MODEL	SPECIFICATION	D (in)	W (in)	D1 (in)	W1 (in)
DLT-1130602	30"×60"	30"	60"	15"	12"
DLT-1132602	32"×60"	32"	60"	15"	12"
DLT-1134602	34"×60"	34"	60"	17"	12"
DLT-1136602	36"×60"	36"	60"	18"	12"

NEO ANGLE SHOWER BASE



MODEL	SPECIFICATION	W (in)	A (in)	B (in)	C (in)
DLT-2036360	36"×36"	36"	18 5/16"	25"	12"
DLT-2038380	38"×38"	38"	20 5/16"	25"	12"
DLT-2040400	40"×40"	40"	22 5/16"	25"	14 3/8"
DLT-2042420	42"×42"	42"	24 5/16"	25"	14 3/8"

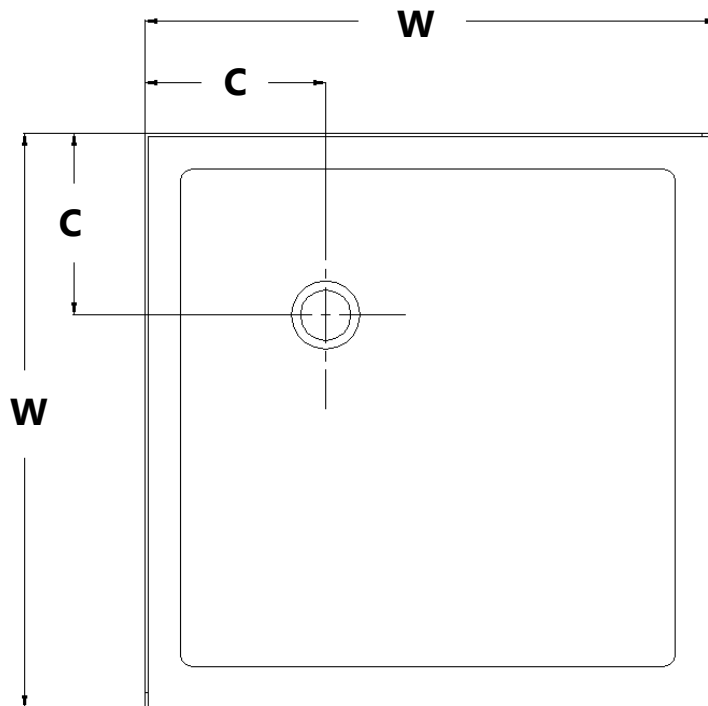
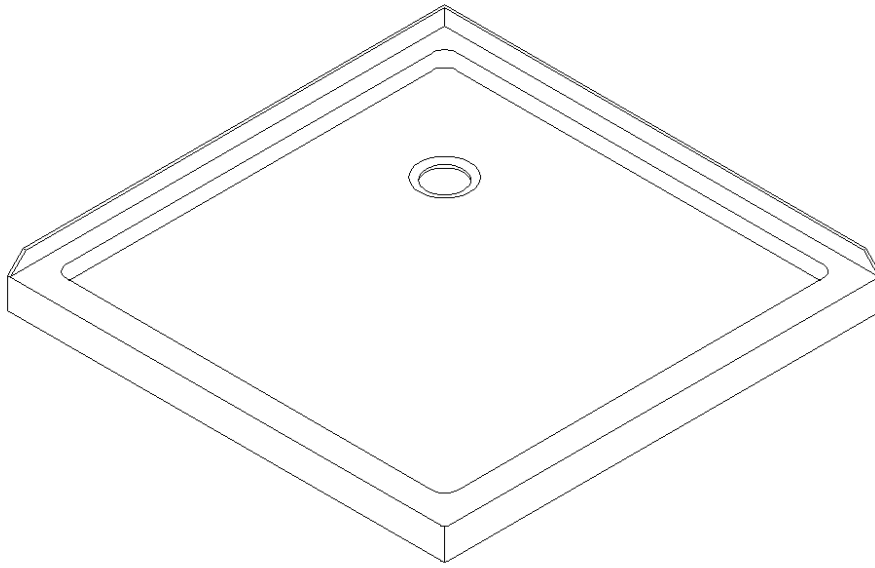
QUARTER ROUND SHOWER BASE



MODEL	SPECIFICATION	W (in)	C (in)	R (in)
DLT-7033330	33"×33"	33"	12"	21 5/8"
DLT-7036360	36"×36"	36"	12"	21 5/8"
DLT-7038380	38"×38"	38"	12"	21 5/8"

DOUBLE THRESHOLD SHOWER BASE

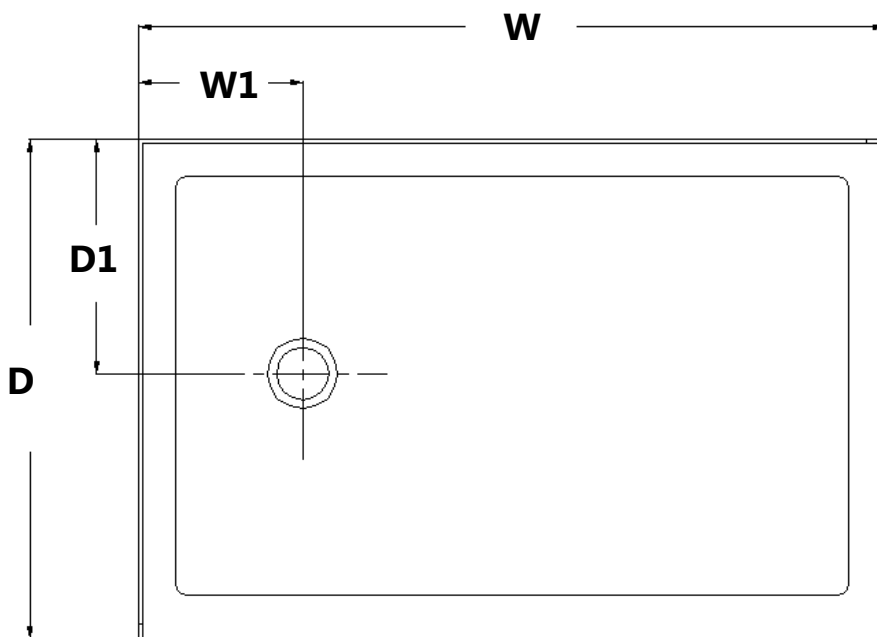
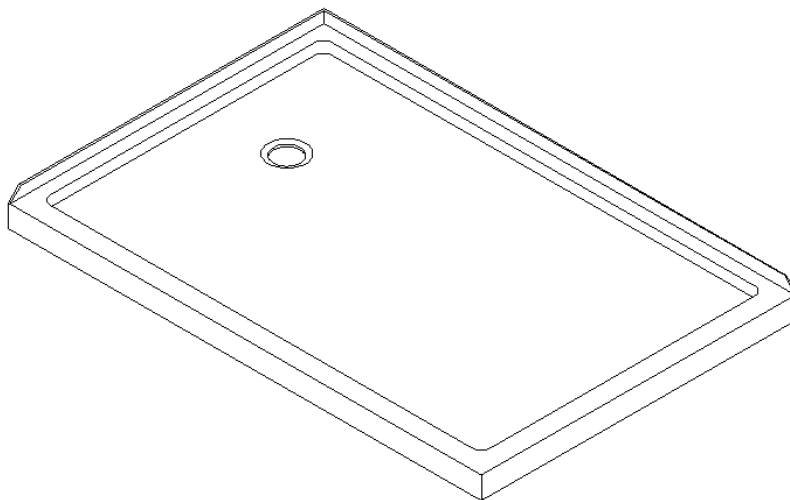
Corner Drain Configuration



MODEL	SPECIFICATION	W (in)	C (in)
DLT-1032320	32"×32"	32"	12"
DLT-1036360	36"×36"	36"	12"
DLT-1042420	42" x 42"	42"	12"

DOUBLE THRESHOLD SHOWER BASE

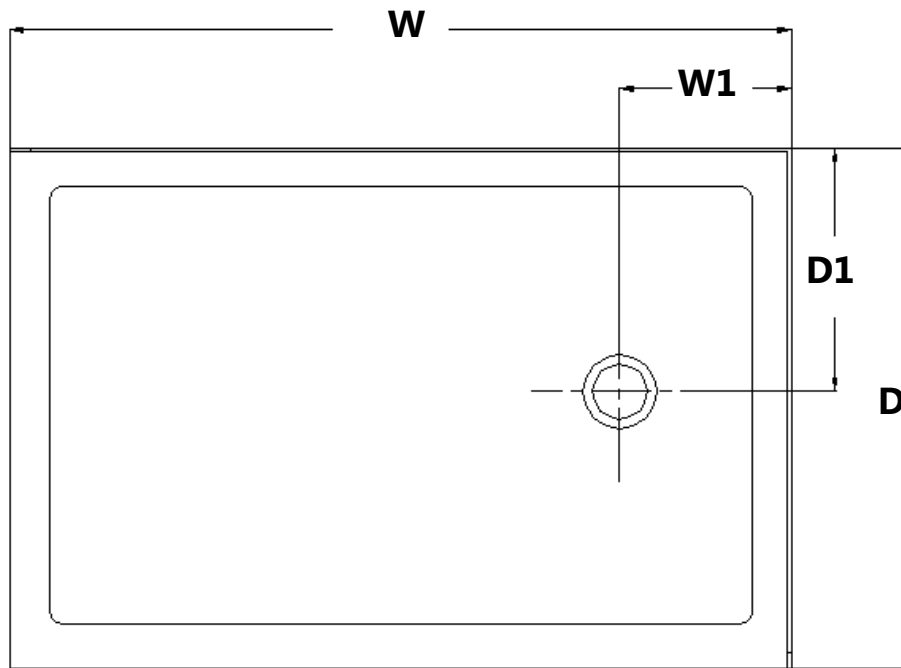
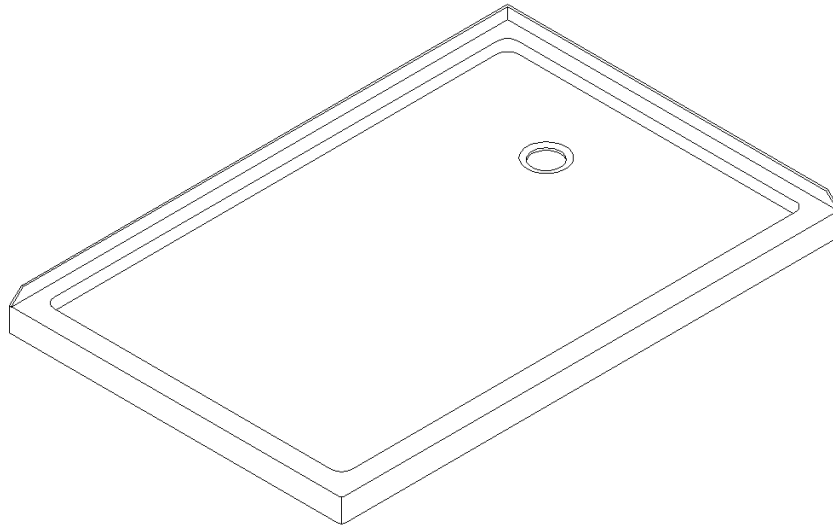
Left-Hand Drain Configuration



MODEL	SPECIFICATION	D (in)	W (in)	D1 (in)	W1 (in)
DLT-1034481	34"×48"	34"	48"	17"	12"
DLT-1036481	36"×48"	36"	48"	18"	12"
DLT-1036541	36"×54"	36"	54"	18"	12"
DLT-1036601	36"×60"	36"	60"	18"	12"

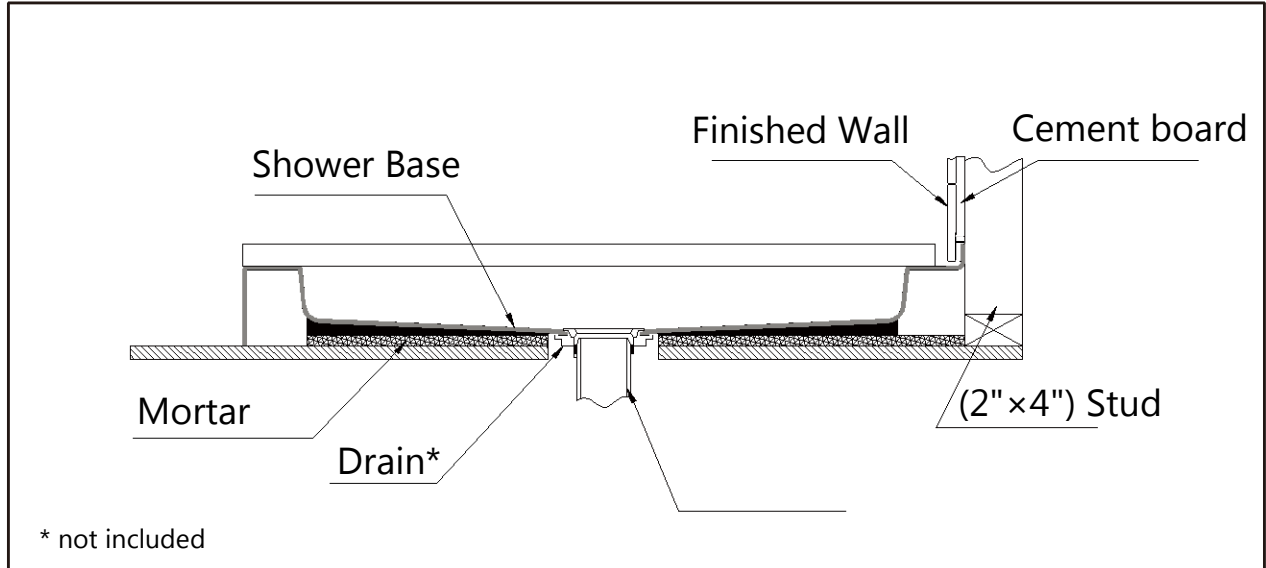
DOUBLE THRESHOLD SHOWER BASE

Right-Hand Drain Configuration



MODEL	SPECIFICATION	D (in)	W (in)	D1 (in)	W1 (in)
DLT-1034482	34"×48"	34"	48"	17"	12"
DLT-1036482	36"×48"	36"	48"	18"	12"
DLT-1036542	36"×54"	36"	54"	18"	12"
DLT-1036602	36"×60"	36"	60"	18"	12"

Shower Base Cross Section Diagram



This product should be installed by someone familiar with the construction requirements for this type of project and the care necessary for the safe installation and operation of the product.

Shower Base Installation - Preparation

1. Ensure that the floor and the studs are at right angles.
Provide a 5"×5" opening in the sub-floor for the drain.
The 2" PVC waste pipe should extend above the surface of the sub-floor according to the drain installation instructions and the height of the Shower base.
Refer to the product drawings and tables in this installation manual for the drain location.

(Fig 1a and Fig 1b)

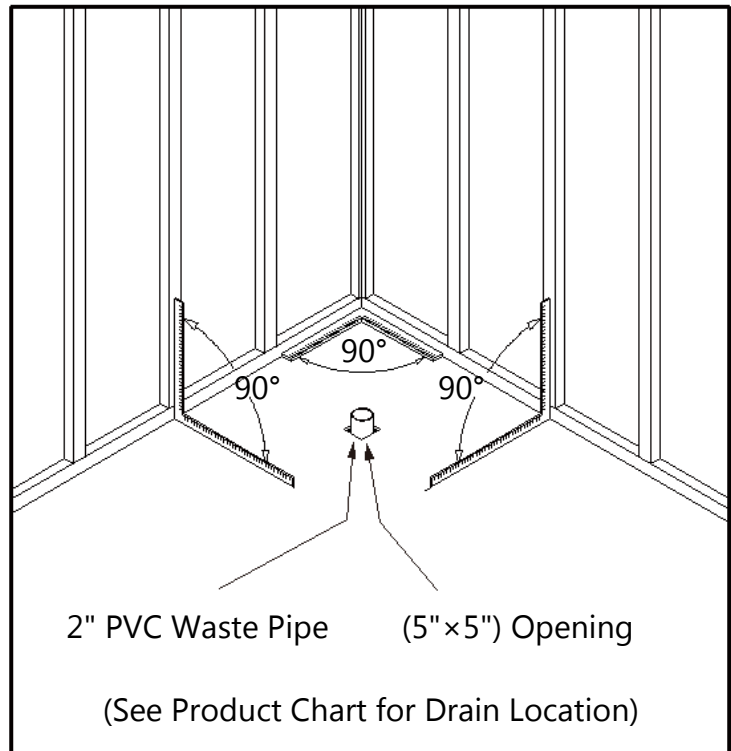


Fig 1a

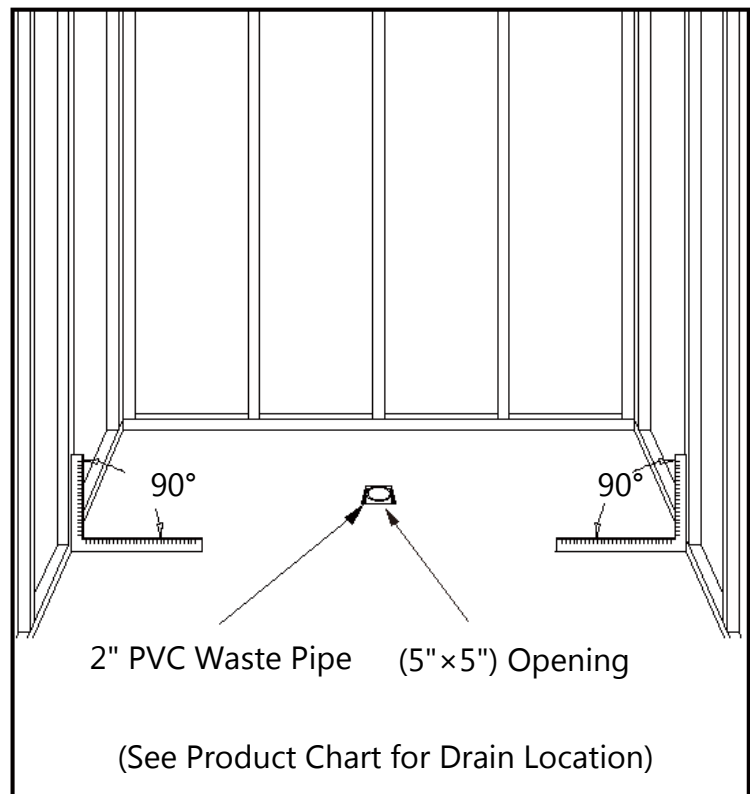


Fig 1b

2. Install the shower drain (**NOT INCLUDED**) according to the drain installation manual (supplied with the drain).

(Fig 2)

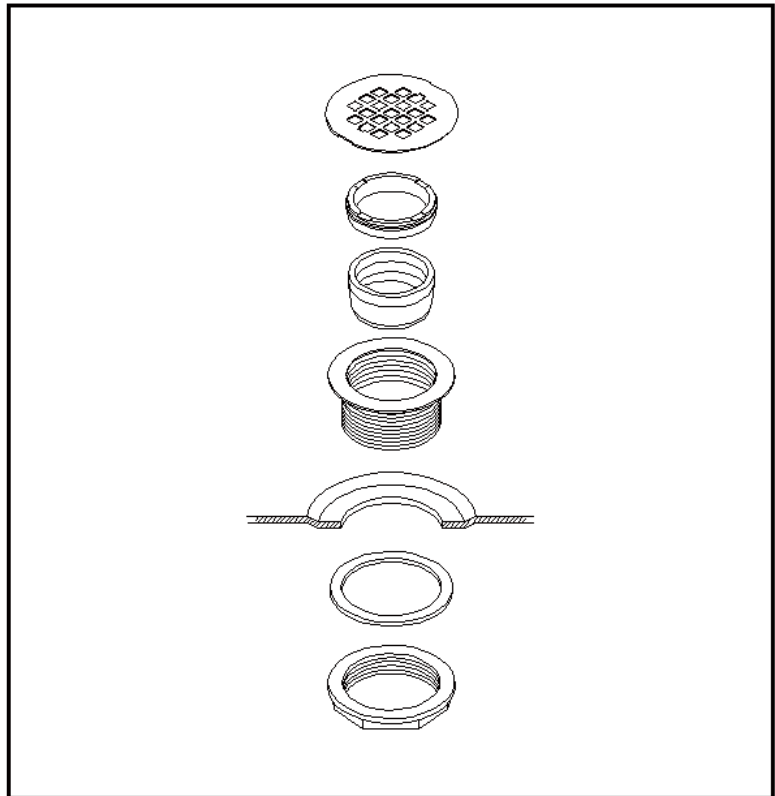
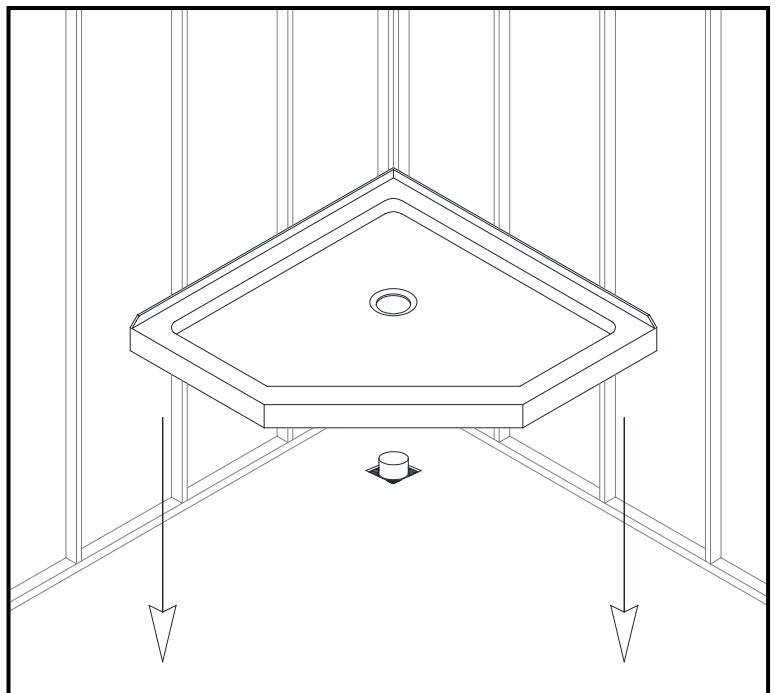


Fig 2

3. Place the tray into the designated position so that the Drain cutout drops around the Drain Pipe and butt the Shower Base up against the studs.

(Fig 3)



Lower the base over the drain pipe and set it into place against the studs.

Fig 3

4. Level the tray and place marks on the studs above the upper edge of the tile flange.

(Fig 4)

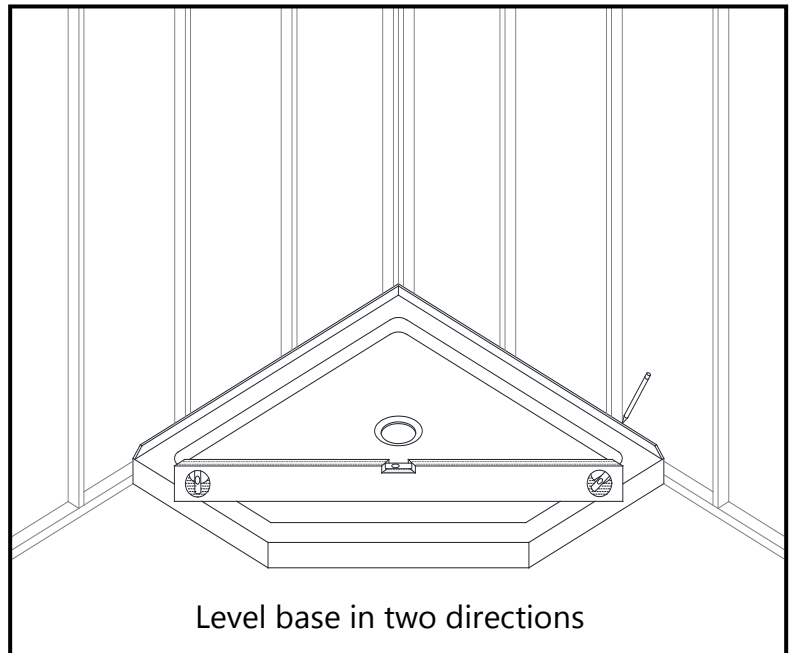


Fig 4

5. Mix the bedding material (Mortar, cement-sand mix, etc.) **Concrete or plaster is not recommended.** Apply enough bedding material to support the entire bottom of the shower base. This will add additional stability and prevent the base from shifting position.

(Fig 5)

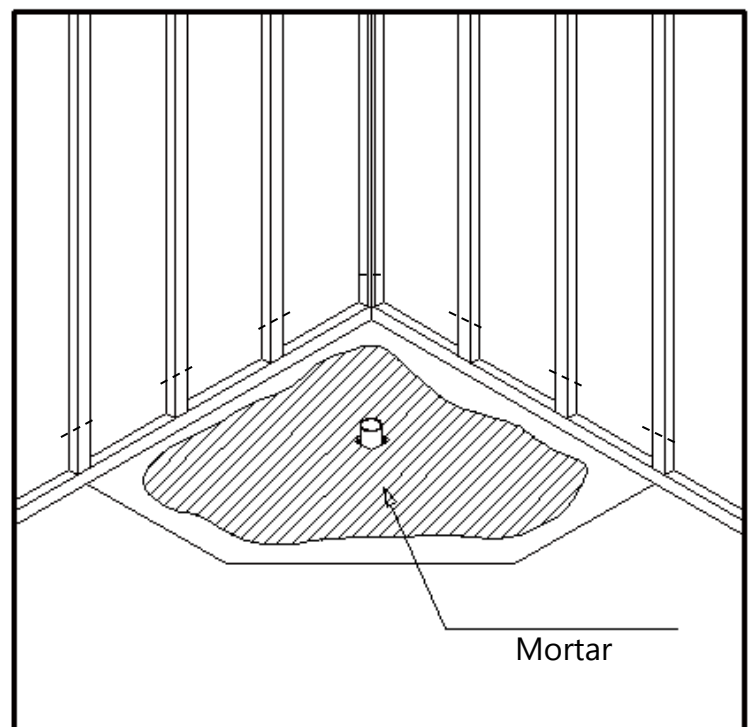


Fig 5

6. After the bedding material has been poured and *before* it sets, place the shower base into the position with the drain assembly sliding over the PVC waste pipe. It will be necessary to push the shower base until the top of the tile flange aligns with the marks drawn on the studs and the front edge is contacting the rough floor along the entire length of the shower base. Ensure that the base is level in all directions. You may need to use shims to hold the tray level until the bedding fully sets. Remove all excess mortar.

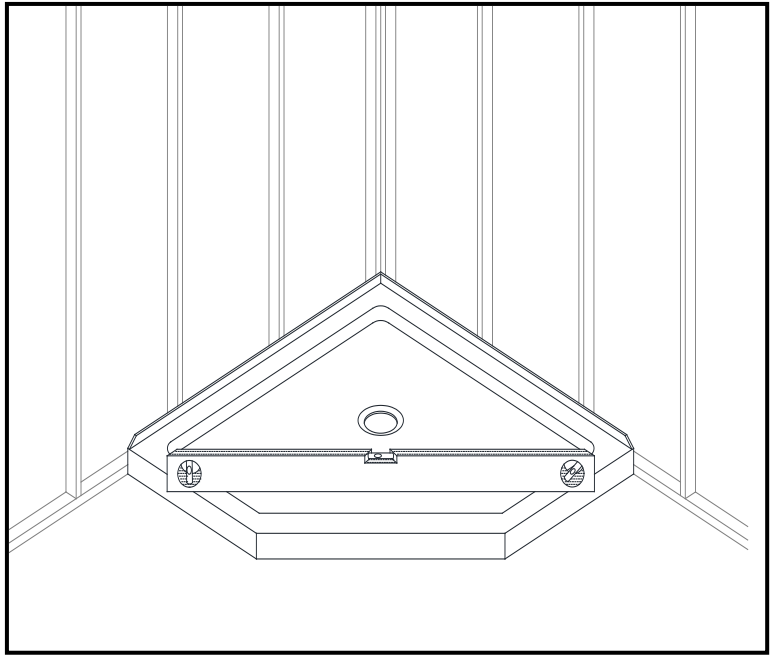


Fig 6

7. Allow the bedding material to completely harden before applying weight to the bottom of the shower base. Install the cement board (or the wallboard) above the tile flanges and secure it to the studs. Put the tiles (or other finishing wall material) over the cement board leaving 1/8" gap between the bottom of the tile or wall kit and the shower base. Use caulk to fill the gap.

(Fig 7a and Fig 7b)

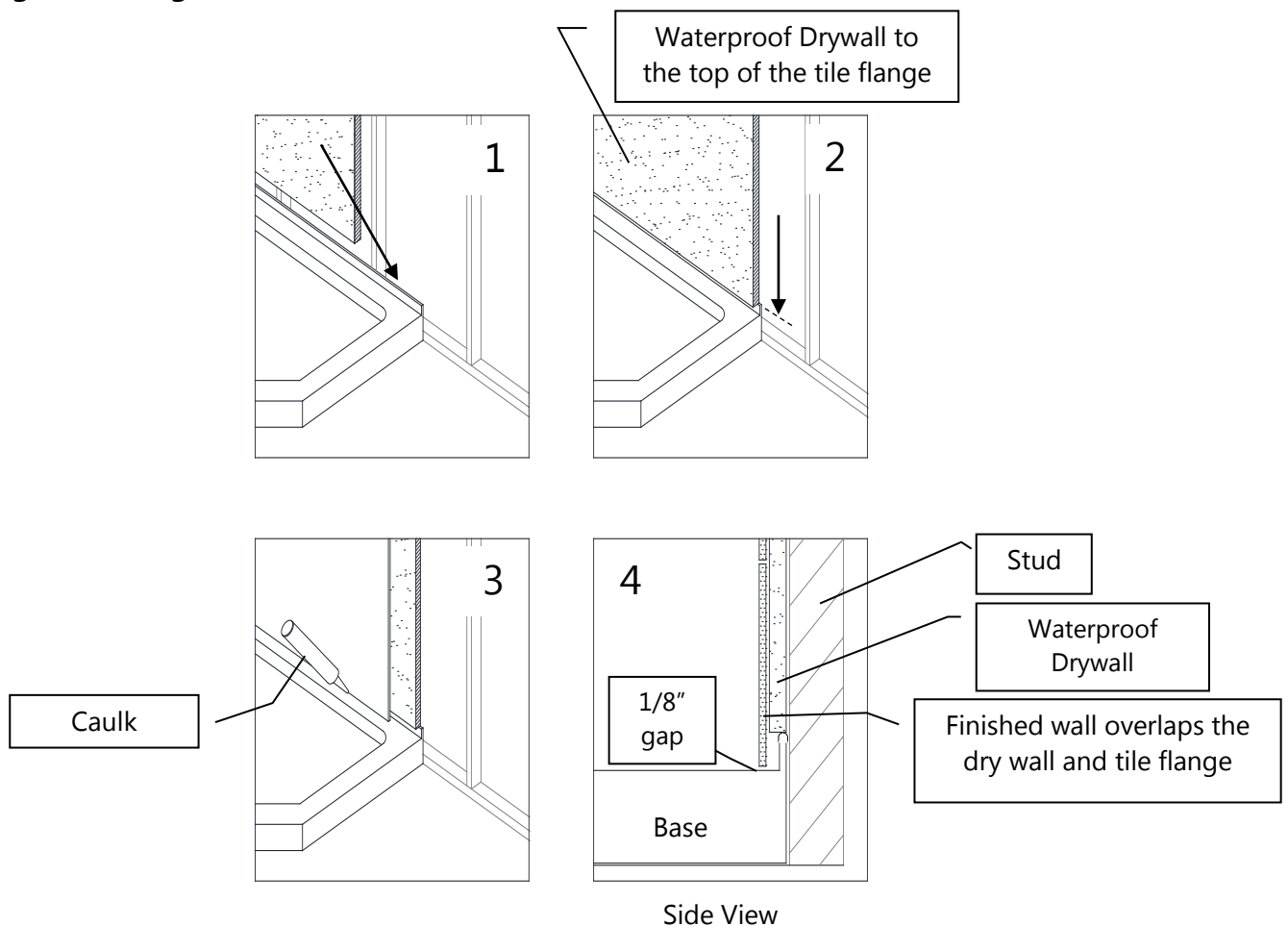


Fig 7a

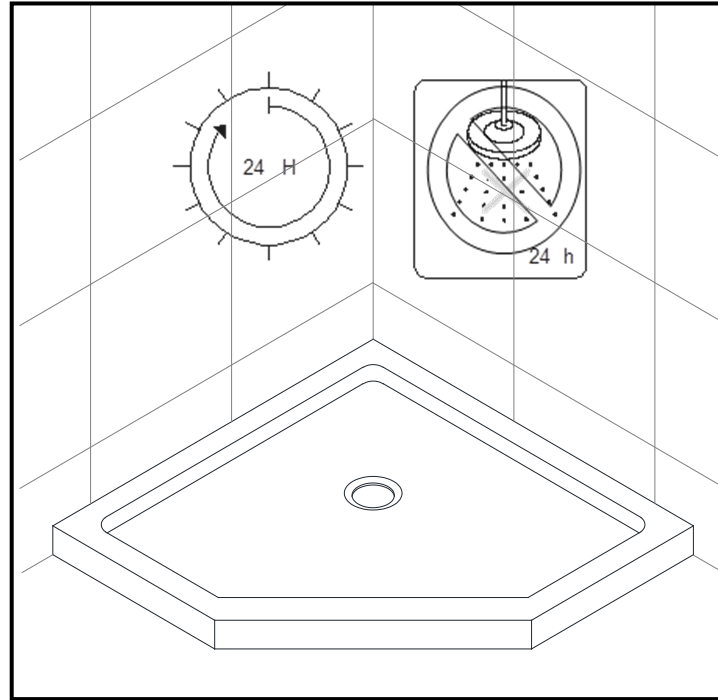


Fig 7b

Product Maintenance

BASES and BACKWALLS: To ensure long lasting life for your acrylic base and/or back walls: wipe them off after each use with a soft cloth. To clean the acrylic base or back walls use non-abrasive sprays or cream-based cleaners. Avoid the use of aerosol spray cleaners. Never use abrasive cleansers, metal brushes or scrapers that could scratch or dull the surface.

GLASS: To ensure long-lasting life for your glass shower products: wipe them off after each use with a soft cloth. Rinse and wipe off the glass using either a soft cloth or a squeegee to prevent soap buildup and water spots (Hard water can etch the surface of the glass over time if left to dry). To prevent scratching the surface: never use abrasive cleaners or cleaning products that contain scouring agents. Never use bristle brushes or abrasive sponges that may scratch the surface.

HARDWARE: To ensure a long-lasting finish: wipe off the metal parts after each use with a soft cloth. Do not use abrasive cleaners or cleaning products containing ammonia, bleach or acid. If accidentally used, rinse the surface as soon as possible to prevent damage to the finish (peeling or corrosion). After cleaning the polished finishes, rinse thoroughly and wipe dry with a soft cloth.

Clean stainless-steel surfaces at least once a week. When applying stainless steel cleaner or polish to stainless steel hardware, work with (not across) the grain. Never use an abrasive sponge or cloth, steel wool or wired brush as these may permanently scratch the surfaces.

NOTE: To maximize the life of your door, it is important to regularly inspect the glass and other hardware for misalignment, proper attachment, and/or damage. Contact DreamLine with any questions or concerns.



TEL: [866-731-2244](tel:866-731-2244)

FAX: [866-857-3638](tel:866-857-3638)

DREAMLINE.COM

For more information on [DreamLine® Shower Doors](http://DreamLine.com) and [Enclosures](http://DreamLine.com) please visit DreamLine.com

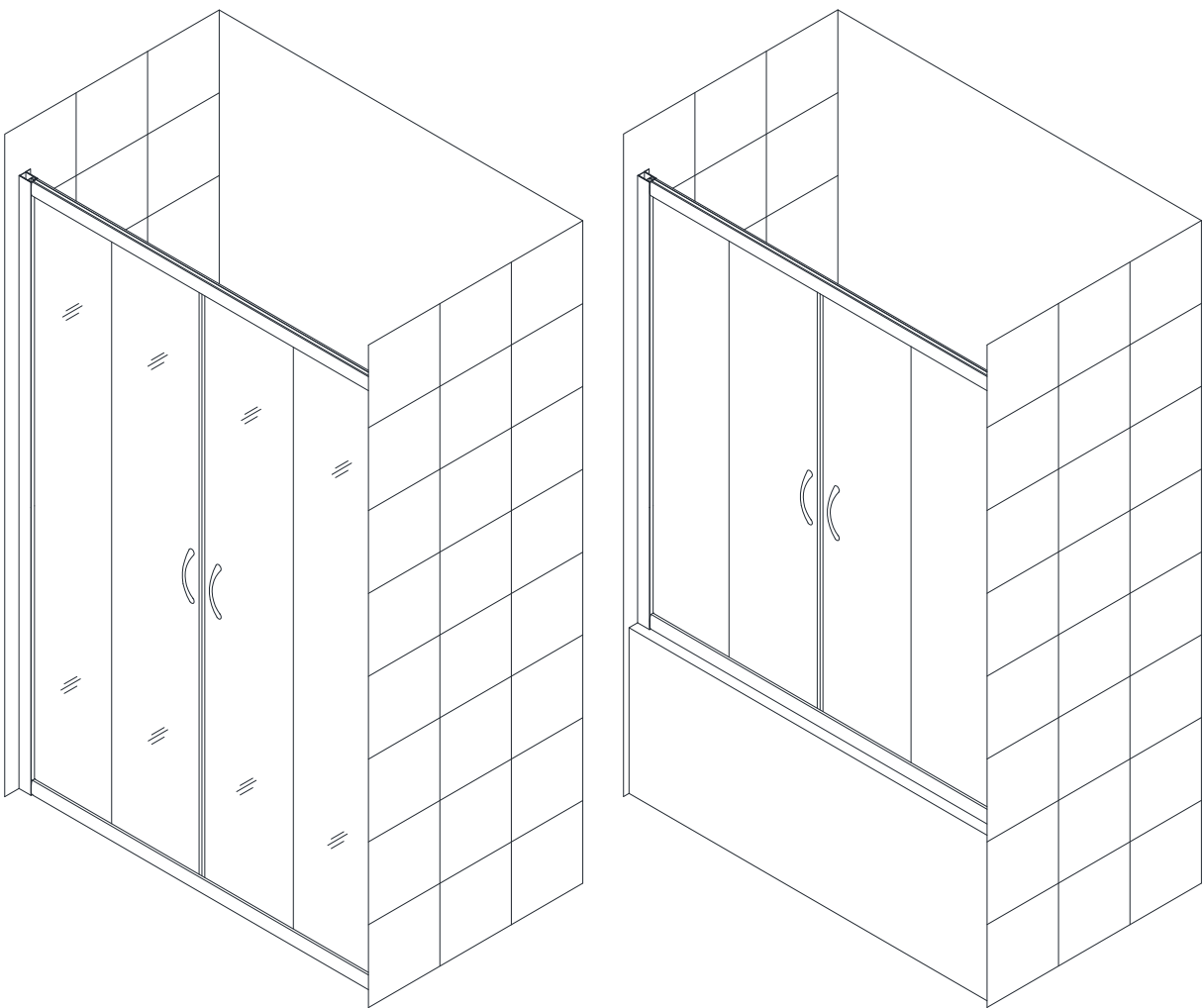


VISIONS

SHOWER DOOR & TUB DOOR INSTALLATION INSTRUCTIONS

IMPORTANT

DreamLine™ reserves the right to alter, modify or redesign products at any time without prior notice. For the latest up-to-date technical drawings, manuals or any other details please refer to your model's web page on BathAuthority.com



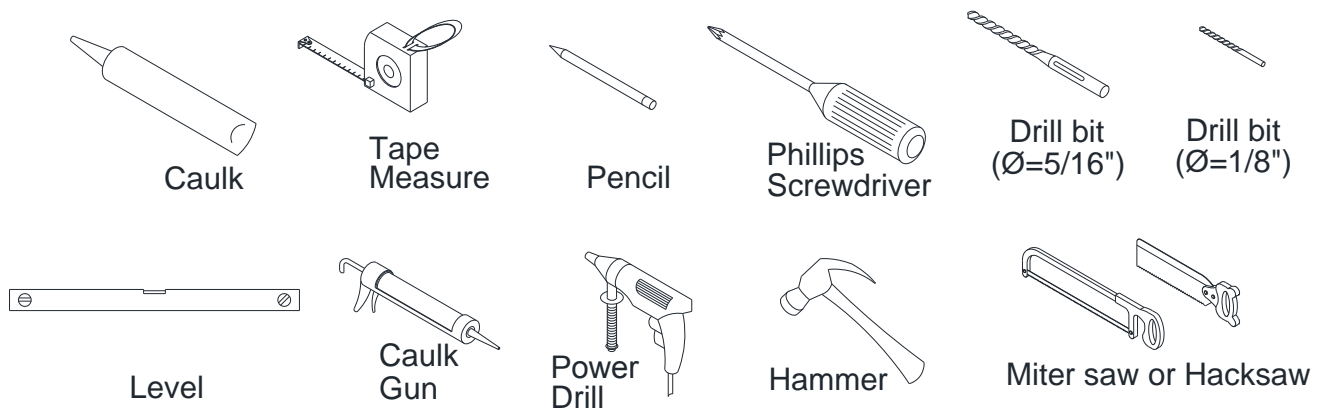
Please read these instructions carefully before installing. If you have any questions regarding installation, please contact our technical support specialists Monday through Friday 8:00 AM – 7:00 PM EST at Phone: 1-866-731-2244, Fax: 1-866-857-3638 or e-mail our technical support group at Support@BathAuthority.com

For more information about [DreamLine™ Shower Doors & Tub Doors](http://www.BathAuthority.com) please visit www.BathAuthority.com

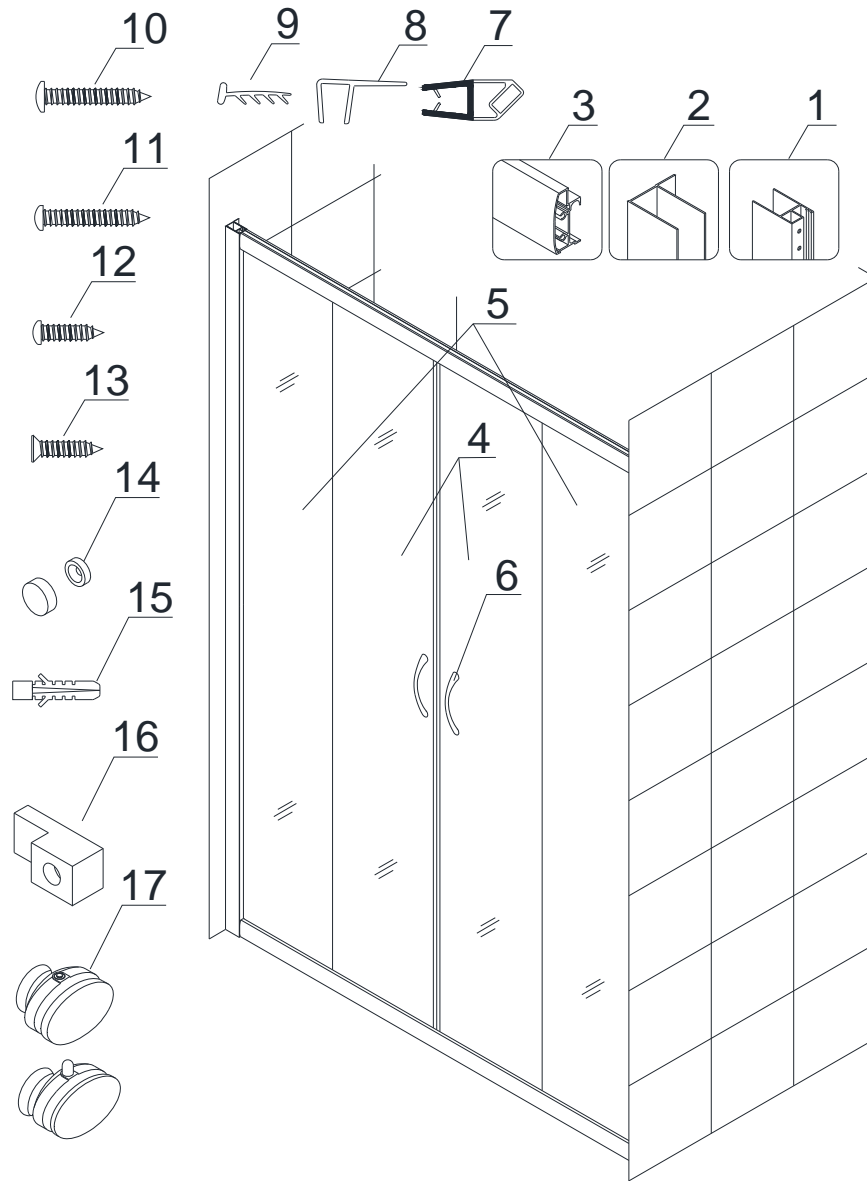
Preparation

1. Prior to installation, examine all boxes and packages for shipping damage and compare the piece count with your packing slip. After opening all boxes and packages read this introduction carefully. Check that all of the needed parts are included in the package by checking off the components on the "Detailed Diagram of Shower Door Components". If the unit has been damaged, has a finishing defect, or has missing parts, please contact our customer support department within **3 business days** of the delivery date. Please note that **DreamLine™ will not replace any damaged products or missing parts free of charge after 3 business days or if the product has been installed.** Feel free to contact DreamLine™ if you have any questions, and please provide an order number, job name or other proof of purchase to help us identify your original order.
2. **Please note that you should consult your local building codes with questions about installation compliance standards. Building and plumbing codes may vary by location, and DreamLine is not responsible for code compliance standards for your project.**
3. Install all of the required plumbing and drainage before securing the shower. **Have a competent and licensed (if required by local code) plumber or tradesman perform and/or approve your plumbing installation.**
4. Please make sure that prior to beginning the installation, the surfaces are leveled and solid and will be able to support the total weight of the unit. Also make sure the walls are at right angles. Irregular installation surface level, radius corners or improper angle of side walls will result in serious problems for your installation. Please, note that some adjustments and drilling may be necessary during the installation process.
5. Please protect all primary surfaces of the product during installation. Never set your glass down directly onto a tile floor. Leave corner protectors in place until necessary to remove them. Always use a piece of wood or cardboard to protect the bottom edge and corners of the glass prior to and during installation.
6. This unit must be installed upon a finished threshold and against finished walls.

Tools Required



Detailed Diagram of Shower Door Components



Packing List

01	Glass profile	2pcs	10	Round head screw ST4.2x30	8pcs
02	Wall profile	2pcs	11	Round head screw ST4.2x25	8pcs
03	Guide rail	2pcs	12	Round head screw ST4.2x10	4pcs
04	Glass door	2pcs	13	Flat head screw ST4.2x16	4pcs
05	Stationary glass	2pcs	14	Decorative cover	4pcs
06	Handle	2pairs	15	Wall anchor	8pcs
07	Magnetic strip	1pair	16	Glass holder	4pcs
08	Anti-water strip	4pcs	17	Wheel assembly	4pairs
09	Single side strip	2pcs			

NOTE: Unpack your unit carefully and inspect it. Lay it out and identify all parts using parts diagram and part list in your manual as a reference. Before discarding the carton, check for small hardware bags that tend to fall to the bottom of the box. If any parts are damaged or missing, please contact DreamLine™ for replacement.

Shower Door Installation

1. Measure the distance between the two finished walls at the top, middle and bottom. This distance is marked as "**W**".

Also check the threshold for level and the walls for plumb.

See Fig. 1 for details.

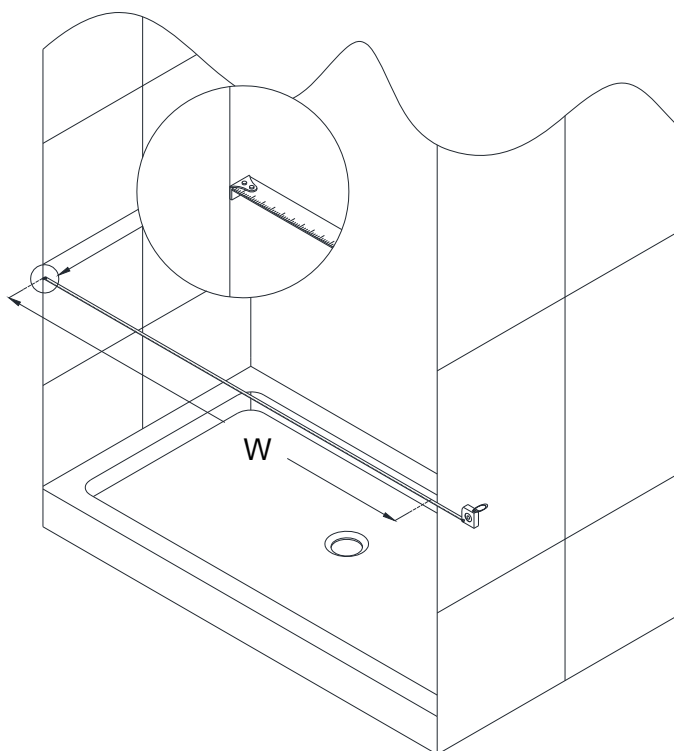


Fig. 1

2. Your **Guide rails (#03)** have been precut for the model width of: **60"**. (the rails are shorter than the model width by design).
If **W** is less than 60" (**W < 60"**), then you will need to cut the **Guide rails (#03)** equally from both ends.
*Model Width-Finished opening **W = L***
The length to cut off will be "**L**".

In order to keep the pre-drilled center stopper holes centered, it is necessary to cut the top and bottom guide rails equally from both ends. Take **L** and divide by 2 and **cut off equally from each end**.

Example:

60" (model) - 58" opening = 2"

2" divide by 2 = 1" (cut from each end)

See Fig. 2 & Fig. 3 for details.

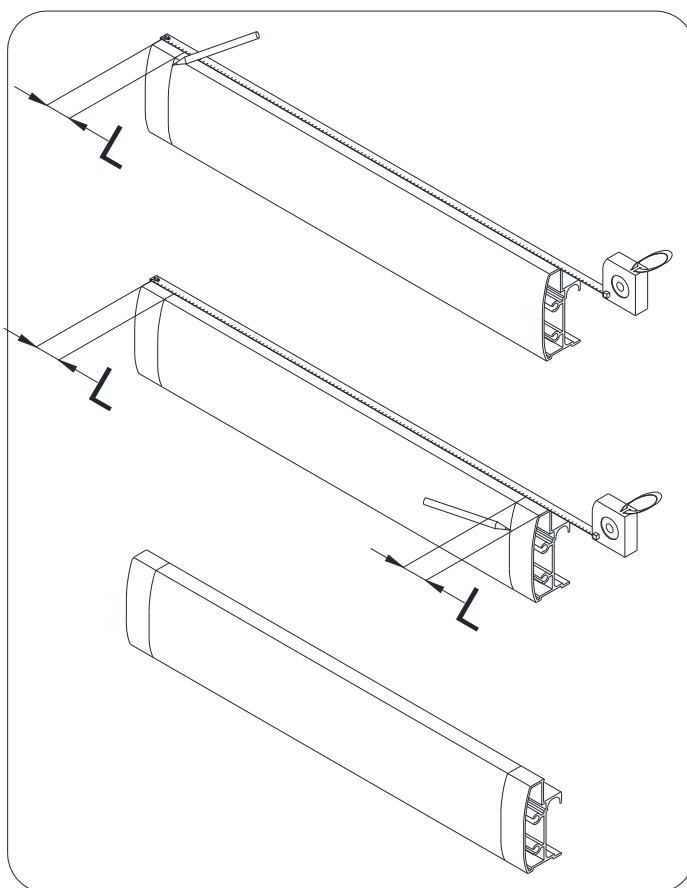


Fig. 2

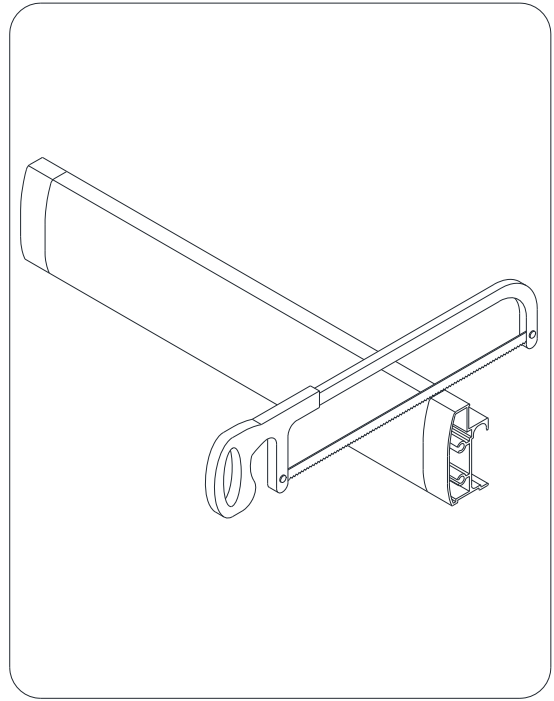


Fig. 3

3. Once the **Guide rails (#03)** have been cut, you will need to reinstall the roller stoppers on each **Guide rail (#03)** on both ends. It is important that these stoppers are installed at the correct location. Remove the existing stopper. Mark the drilling hole at a distance of **2"** from the cut off end of the **Guide rail (#03)**. Drill a new hole using an **Ø 1/8"** drill bit; then re-attach the stopper with the screw.

ATTENTION:

Do not drill all the way through the Guide rail, only drill into the first layer.

See Fig. 4 for details

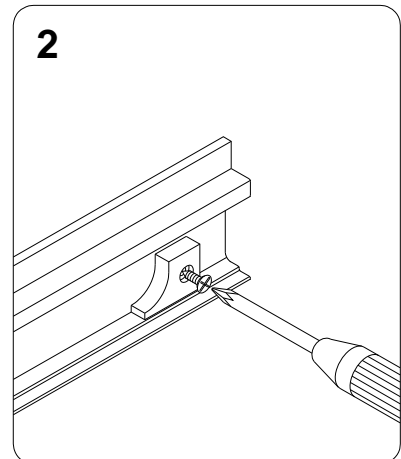
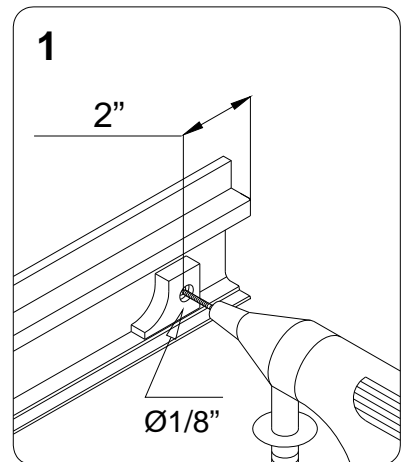


Fig. 4

4. Fasten the bottom **Guide rail (#03)** to the **Glass profiles (#01)** with the **Round head screws ST4.2x25 (#11)**.
See Fig. 5 for details.

TIP: For ease of assembly, add some liquid soap or wax to lubricate the screws prior to attaching the glass profiles to the guide rails. Also, use a low setting on your power drill to prevent stripping the screws during assembly.

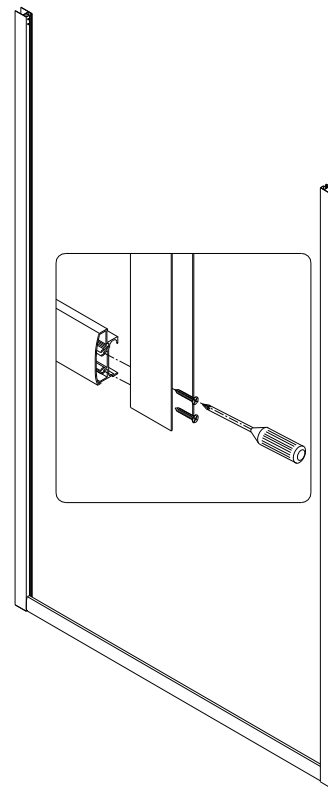


Fig. 5

5. Slide both pieces of **Stationary glass (#05)** fully into the grooves of the **Glass profiles (#01)**, and then secure them using the **Glass holders (#16)** to the bottom **Guide rail (#03)** using the **ST4.2 x 16 FH screws (#13)**. It may be necessary to drill an $\text{Ø } 1/8''$ hole in the rails to attach the **Glass holders (#16)**. Mark the holes and remove the glass to drill these holes to prevent damaging or breaking the glass while drilling.

See Fig. 6 for details.

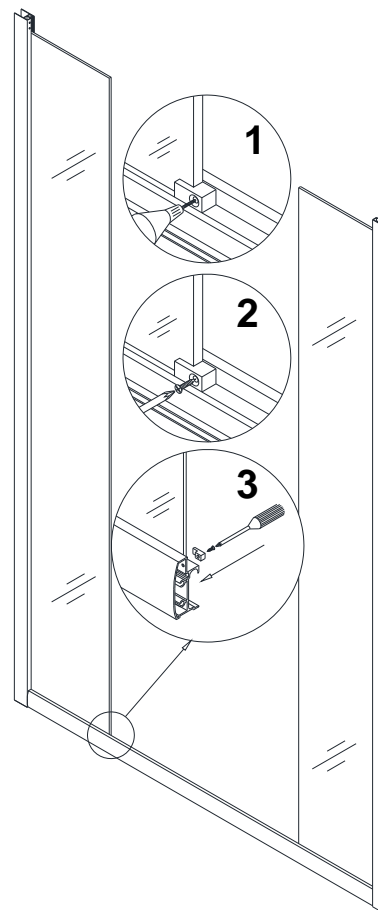


Fig. 6

6. Install the **Single side strips (#09)** in-between the **Stationary glass (#05)** and the **Glass profiles (#01)**. The strips should be inserted on the side that is facing the inside of the shower. (See detail in Fig. 7)

ATTENTION:

Do not use a screwdriver or other metal objects to install the Single Side Strip; you can scratch or damage the glass and aluminum.

7. Repeat Step #4 and Step #5 to fasten the upper **Guide rail (#03)** to the **Glass profiles (#01)** and secure the **Stationary glass (#05)** with the **Glass holders (#16)**.

See Fig. 7 for details.

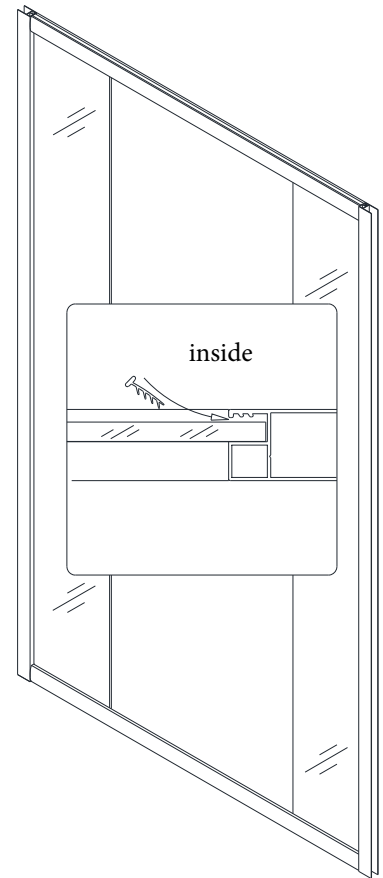


Fig. 7

8. Slide the **Wall profiles (#02)** all the way into the **Glass profiles (#01)** on both sides. Make sure the flanges of the **Wall profiles (#02)** face inside the shower.

See Fig. 8 for details.

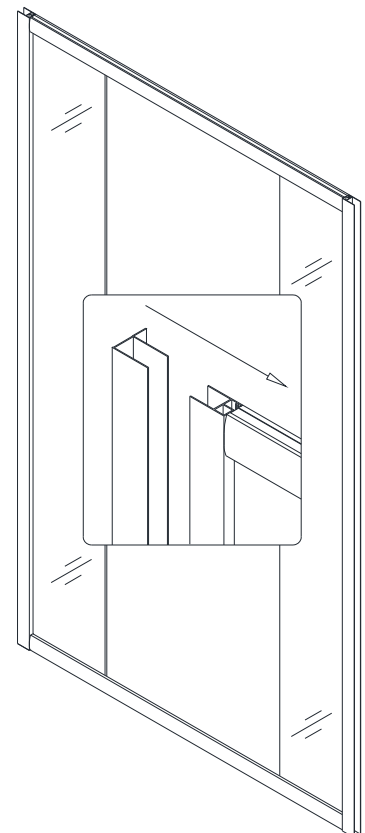


Fig. 8

9. Move the finished frame to the designated position on the shower base, the bathtub or the threshold (depending on your installation); push it against the walls. If your top and bottom wall opening measurements vary or if the walls are out-of-plumb, make adjustments by sliding the **Wall profiles (#02)** out of the **Glass Profiles (#01)**.
Use a level to adjust the frame so that it is plumb.

See Fig. 9 for details.

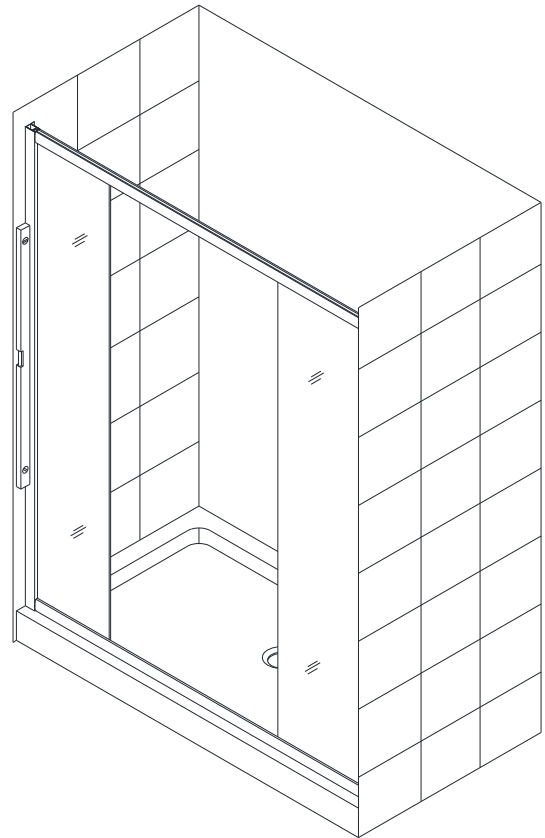


Fig. 9

10. Using help to hold this assembly in the right position, mark the drill holes on the wall through the holes on the flange of the **Wall Profiles (#02)**.
11. Gently set the assembled unit aside; drill the holes using a $\text{Ø } 5/16''$ drill bit and insert the **Wall anchors (#15)**.
Apply silicone caulk along the **Wall profiles (#02)** and around the holes on the wall. Also apply silicone under the bottom **Guide rail (#03)**.
Place the whole shower assembly back into the designated position and secure it to the walls using the **Round head screws ST4.2×30 (#10)**.

See Fig. 10 for details.

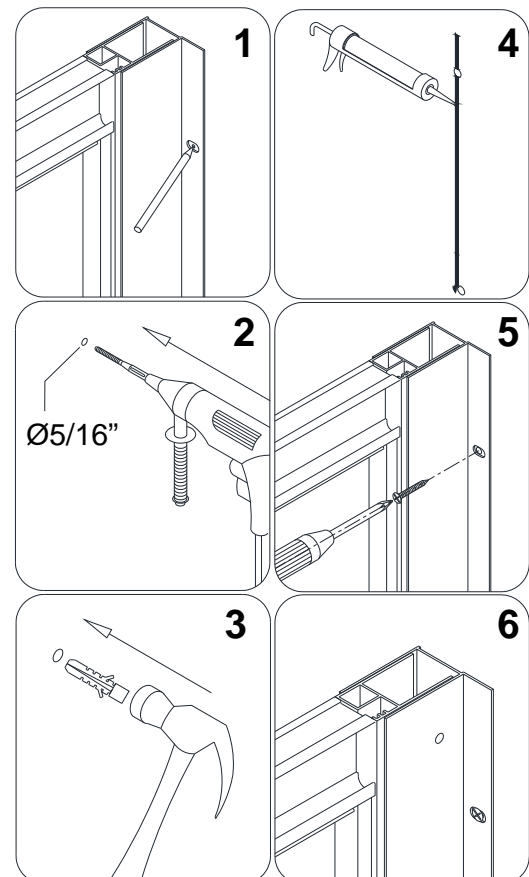


Fig. 10

12. Fasten the top and the bottom **Wheel assemblies (#17)** to the **Glass doors (#04)**. The top wheels can adjust the door level with the adjustable bolt and lock nut. The bottom wheel has a press button to fix the wheel on to the bottom **Guide rail (#03)**.

Note:

The lock nut of the upper wheel and the press button of the bottom wheel should be pointing up. (Fig 11.1 and 11.2)

See Fig. 11 for details.

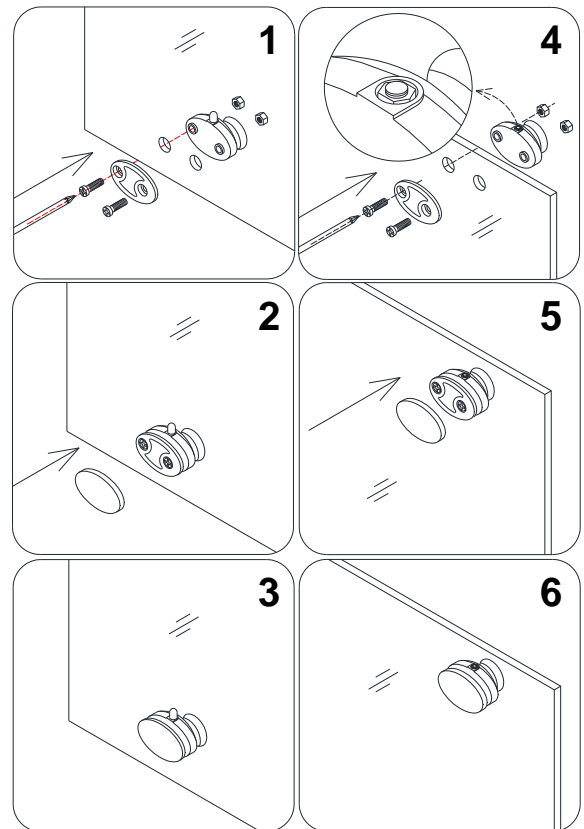


Fig. 11

13. Slide the top door wheels into the top **Guide rail (#03)**. Push the bottom wheels into the bottom **Guide rail (#03)** by pressing down on the button on the **Wheel assembly**. (Fig 12.2) Use a Phillips screwdriver #2 to adjust the upper wheels to make sure they track smoothly and the door closes tight. **(do not use a power screwdriver to avoid damaging the assembly)**

See Fig. 12 for details.

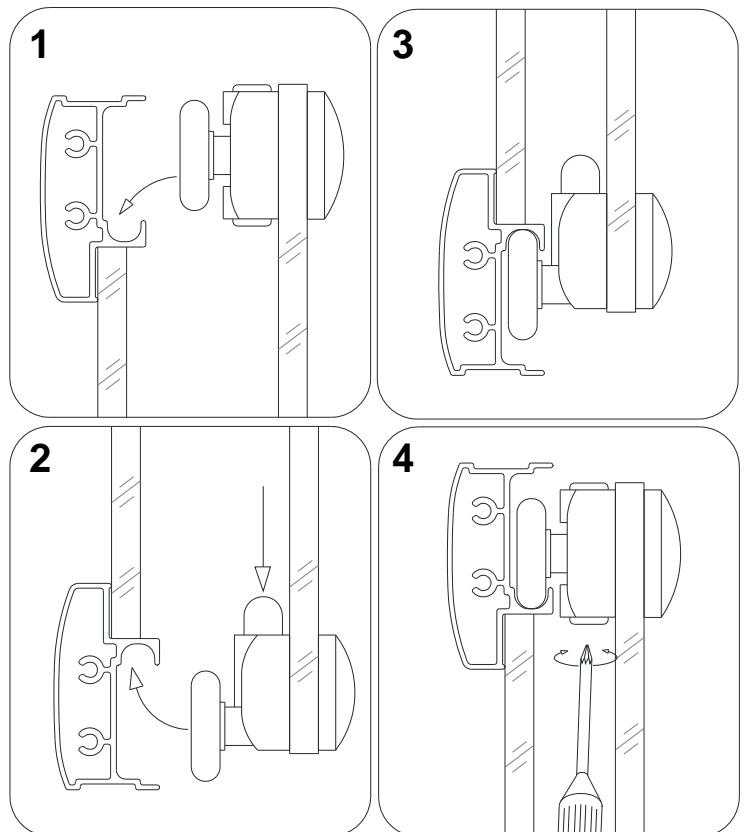


Fig. 12

14. Install the **Handles (#06)** to the **Glass doors (#04)**.(Fig 13.1)
 Press the **anti-water strips (#08)** onto the vertical edges of the **Stationary glass (#05)** and both vertical edges of the **Glass doors (#04)**.
 Press the **Magnetic strips (#07)** onto the vertical edges of both **Glass doors (#04)** for a tight seal.

See Fig. 13 for details.

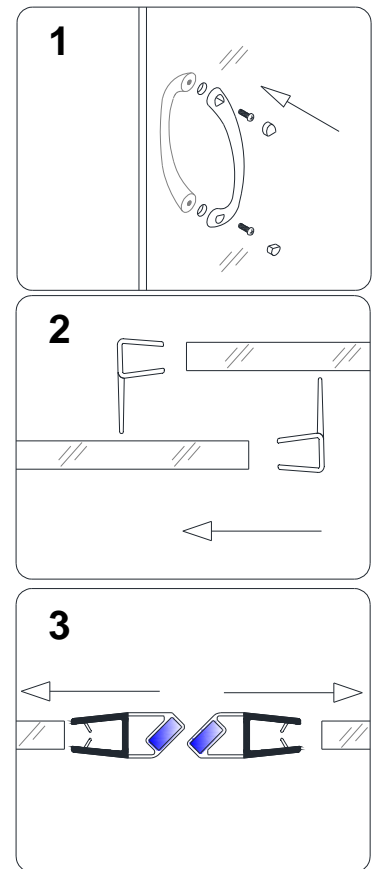


Fig. 13

15. Do the final adjustments of the assembled unit in the **Wall profiles (#02)**. **Make sure that the bottom rail is tight to the the threshold.**

Drill the holes in the **Glass profile (#01)** through predrilled holes in the **Wall Profile (#02)** using $\text{Ø } 1/8''$ drill bit.

ATTENTION:

Do not drill the profile throughout, only the first layer of the wall profile.

Secure the **Wall profile (#02)** to the **Glass profile (#01)** using the **Round head screws ST4.2×10 (#12)**.

Cover the exposed screw heads with the **Decorative covers (#14)**.

See Fig. 14 for details.

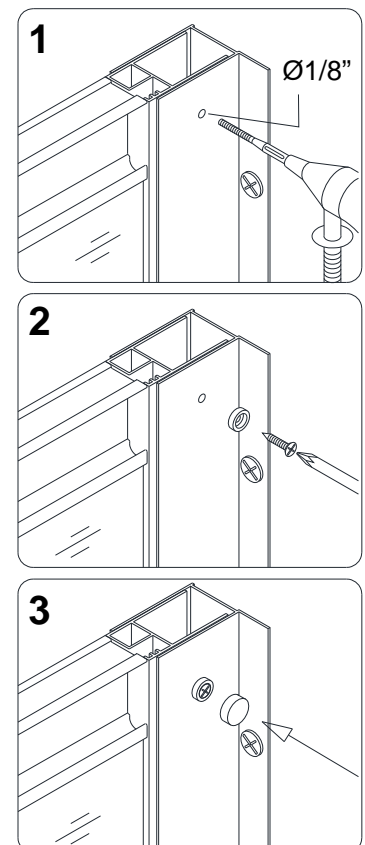


Fig. 14

16. Apply a good quality mildew resistant silicone along the profiles and guide rails; on the seams between the bottom guide rail and the profiles as well as along the shower base or threshold.

See Fig. 15 for details.

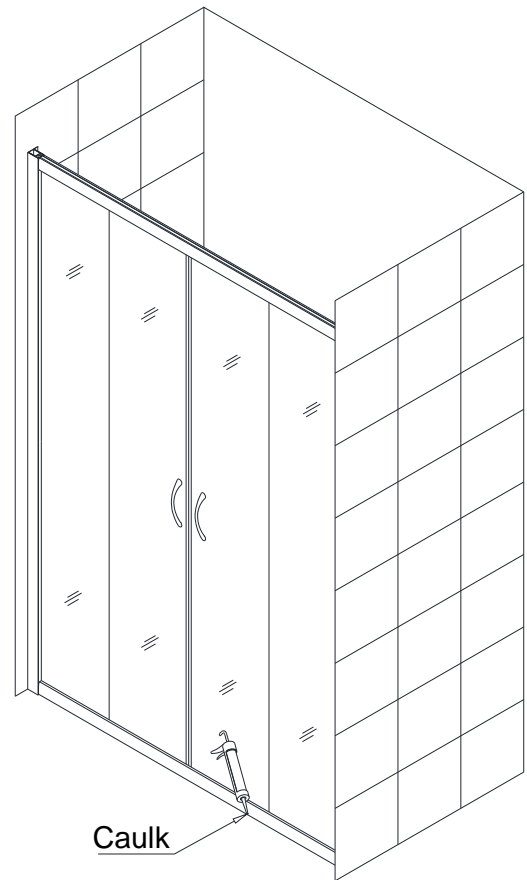


Fig. 15

Product Maintenance

BASES and BACKWALLS: To ensure a long life for your acrylic back walls: wipe them off after each use with a soft cloth. To clean the acrylic back walls use non-abrasive sprays or cream based cleaners. Never use abrasive cleansers, metal brushes or scrapers that could scratch or dull the surface.

GLASS: To ensure long lasting life for your glass shower products: wipe them off after each use with a soft cloth. Rinse and wipe off the glass using either a soft cloth or a squeegee to prevent soap buildup and water spots. To prevent scratching the surface: never use abrasive cleaners and cleaning products that contain scouring agents. Never use bristle brushes or abrasive sponges.

HARDWARE: To ensure a long lasting finish: wipe off the metal parts after each use with a soft cloth. Do not use abrasive cleaners or cleaning products containing ammonia, bleach or acid. If accidentally used, rinse the surface as soon as possible to prevent finish peeling or corrosion. After cleaning the shiny finishes, rinse thoroughly and wipe dry with soft cloth. Clean stainless steel surfaces at least once a week. When applying stainless steel cleaner or polish, work with (not across) the grain. Never use abrasive sponge or cloth, steel wool or wired brushes.



TEL: **866-731-2244**

FAX: **866-857-3638**

WWW.BATHAUTHORITY.COM

For more information on [DreamLine™ Shower Doors](#) & [Tub Doors](#) please visit www.BathAuthority.com

VISIONS

SHOWER AND TUB DOOR INSTALLATION INSTRUCTIONS

IMPORTANT

DreamLine[®] reserves the right to alter, modify or redesign products at any time without prior notice for the purpose of product improvement and customer experience. Please refer to the model's web page on **DreamLine.com** for the latest technical drawings, installation manuals, warranty information or additional product details.

MODEL #s

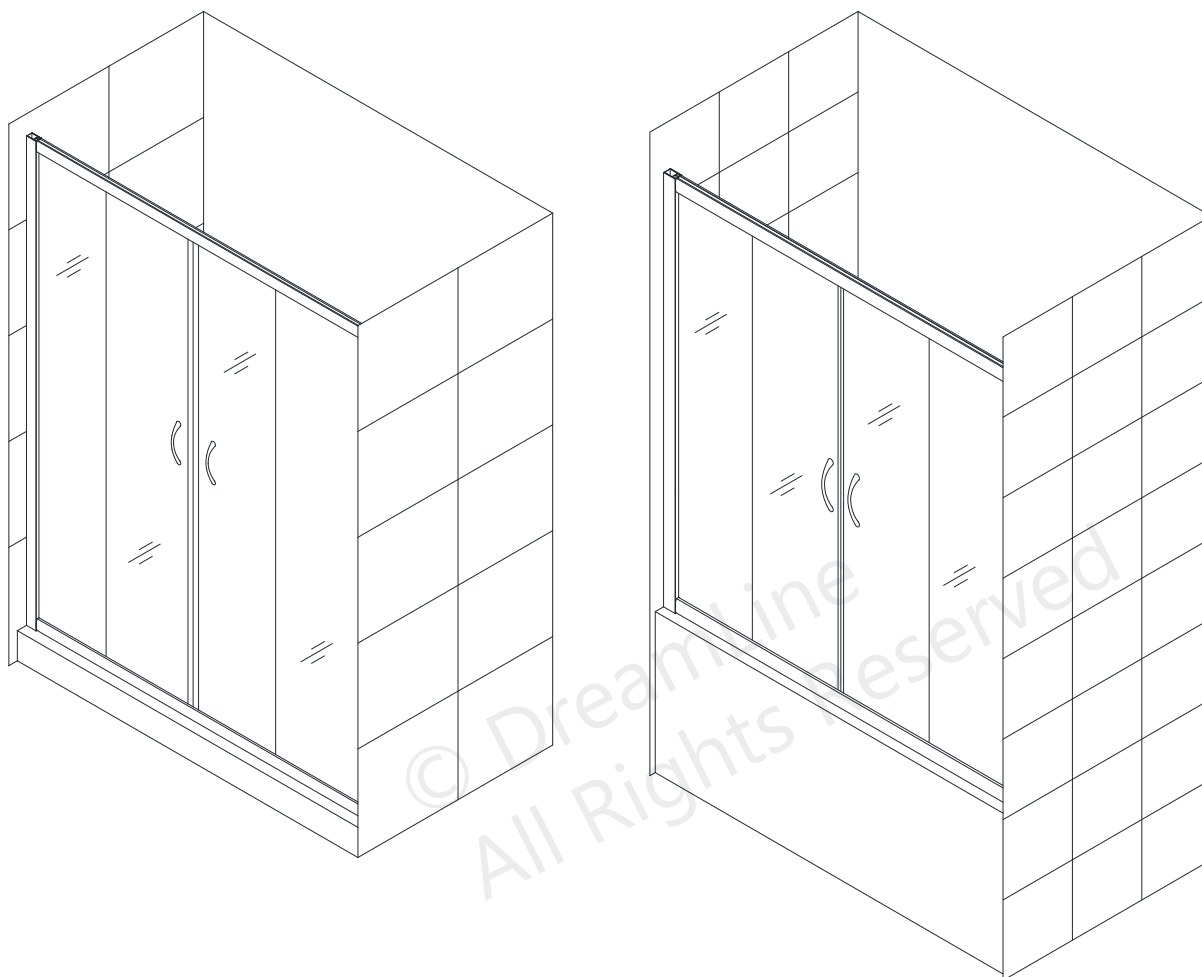
SHDR-1160586-##

SHDR-1160726-##

##=finish

01- Chrome

04- Brushed Nickel



PLEASE REVIEW THIS ENTIRE MANUAL PRIOR TO INSTALLATION



Questions?

Please Call **DreamLine** Customer Support: **1-855-831-2126**
Hours of Operation M-F 8AM - 7PM EST and Saturday 9AM - 5PM EST

Support@DreamLine.com



For more information about DreamLine[®] Shower Doors, Tub Doors & Enclosures, please visit **DreamLine.com**

Table of Contents

Section Title	Page #
Adjustable Wall Profile System	2
Preparation	3
Tools	4
Parts List	5-6
Installation Steps	7-15
Wheel Assemblies	12
Vinyl Seals	13
Product Maintenance	16

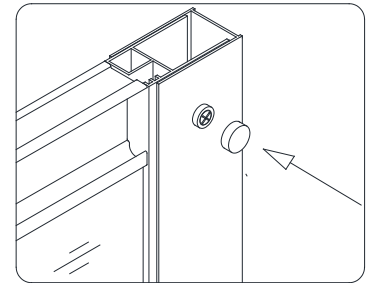
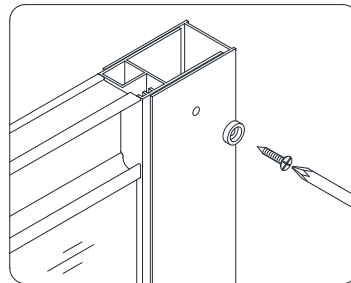
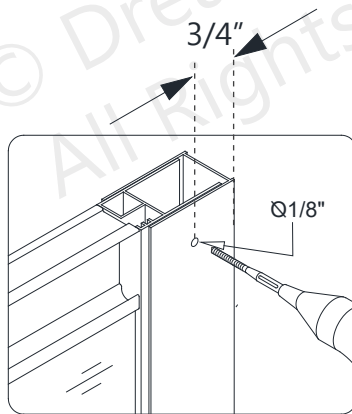
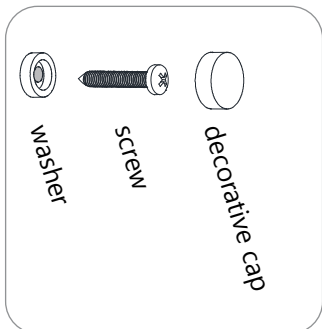
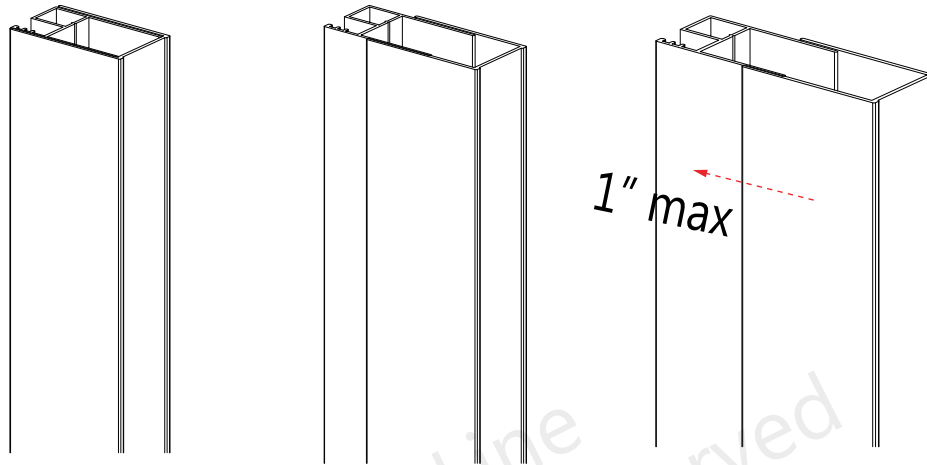
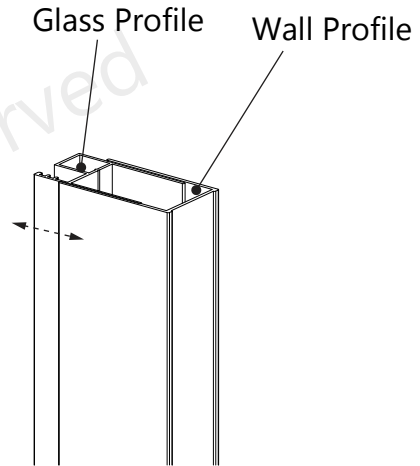


This product should be installed by someone familiar with the construction requirements for this type of project and the care necessary for the safe installation and operation of the product.

Adjustable Wall Profile System



The Glass Profiles can be adjusted within the Wall Profiles for overall width or to correct for out-of-plumb conditions within the model size. Screw them together after making final adjustments.



Preparation

1. Prior to installation, examine all boxes and packages for shipping damage and compare the piece count with the packing slip. After opening all boxes and packages read this introduction carefully. Check that all of the necessary parts are included in the package by checking off the components on the "Detailed Diagram of Shower Door Components". If the unit has been damaged, has a finishing defect, or has missing parts, please contact our customer support department within **3 business days** of the delivery date. **Please note that DreamLine® will not replace any damaged products or missing parts free of charge after 3 business days or if the product has been installed.** Contact DreamLine® if you have any questions, and please provide an order number, job name or other proof of purchase to help identify the original order.
2. **Please note that you should consult your local building codes with questions on installation compliance standards. Building and plumbing codes may vary by location, and DreamLine® is not responsible for code compliance standards for your project and will not accept any returns.**
3. If this unit is going to be installed in a new construction, please install all of the required plumbing and drainage before installing the shower. **Use a competent and licensed (if required by local code) plumber for all plumbing installation.**
4. Make sure that prior to beginning the installation, the surfaces are leveled and solid and will be able to support the total weight of the unit. Also make sure the walls are at right angles. Irregular installation surface level, radius corners or improper angle of side walls will result in serious problems for your installation. Note that some adjustments and drilling will be necessary during the installation process.
5. Protect all primary surfaces of the product during installation. Never set the glass down directly onto a tile floor. Leave corner protectors in place until necessary to remove them. Always use a piece of wood or cardboard to protect the bottom edge and corners of the glass prior to and during installation.
6. This unit must be installed upon a finished threshold and against finished walls.
7. This model has **1"** of adjustment per wall profile for out-of-plumb wall conditions and overall width within the model size. Confirm the finished opening conditions before proceeding with the installation.
8. This model requires a minimum of **1"** of flat level threshold space for installation.
9. **Professional installation recommended.**



This manual will show the installation of the shower door model. Follow the same steps for the installation of the tub door model.

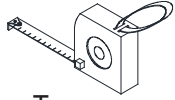


NOTE: DO NOT attach the handle to the door glass until instructed. DO NOT use the handle to lift the glass during installation. This may result in damage to the glass and/or serious injury. Always use an assistant or a professional grade glass suction cup when handling heavy glass.

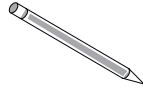
Tools



Level



Tape Measure



Pencil



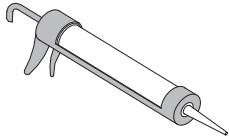
Phillips Screwdriver



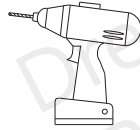
Drill bit
Ø5/16"
(8mm)



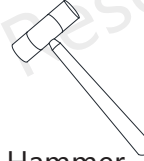
Drill bit
Ø1/8"
(3mm)



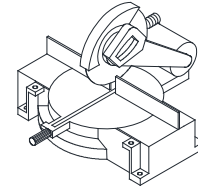
100% Silicone



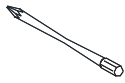
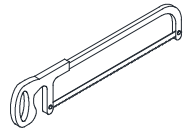
Power Drill



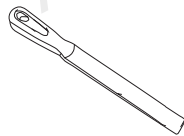
Hammer



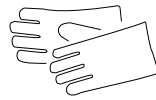
Miter saw or Hacksaw



Extender driver bit



Metal File



Work Gloves



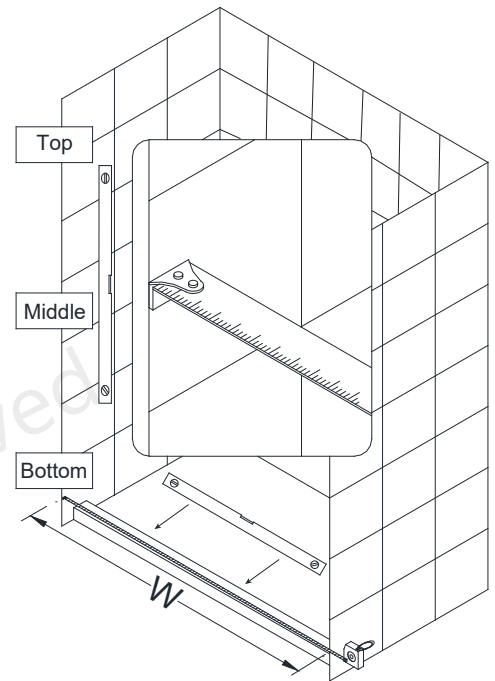
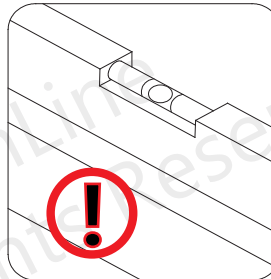
Safety glasses

Tip: Measure the finished opening before proceeding with the installation to be sure that the correct model size has been ordered.

Tip: Prior to installation, cover the shower/tub drain with tape to prevent losing screws or small parts.

Tip: Set screw gun clutch to low setting when installing screws and bolts to prevent stripping the heads.

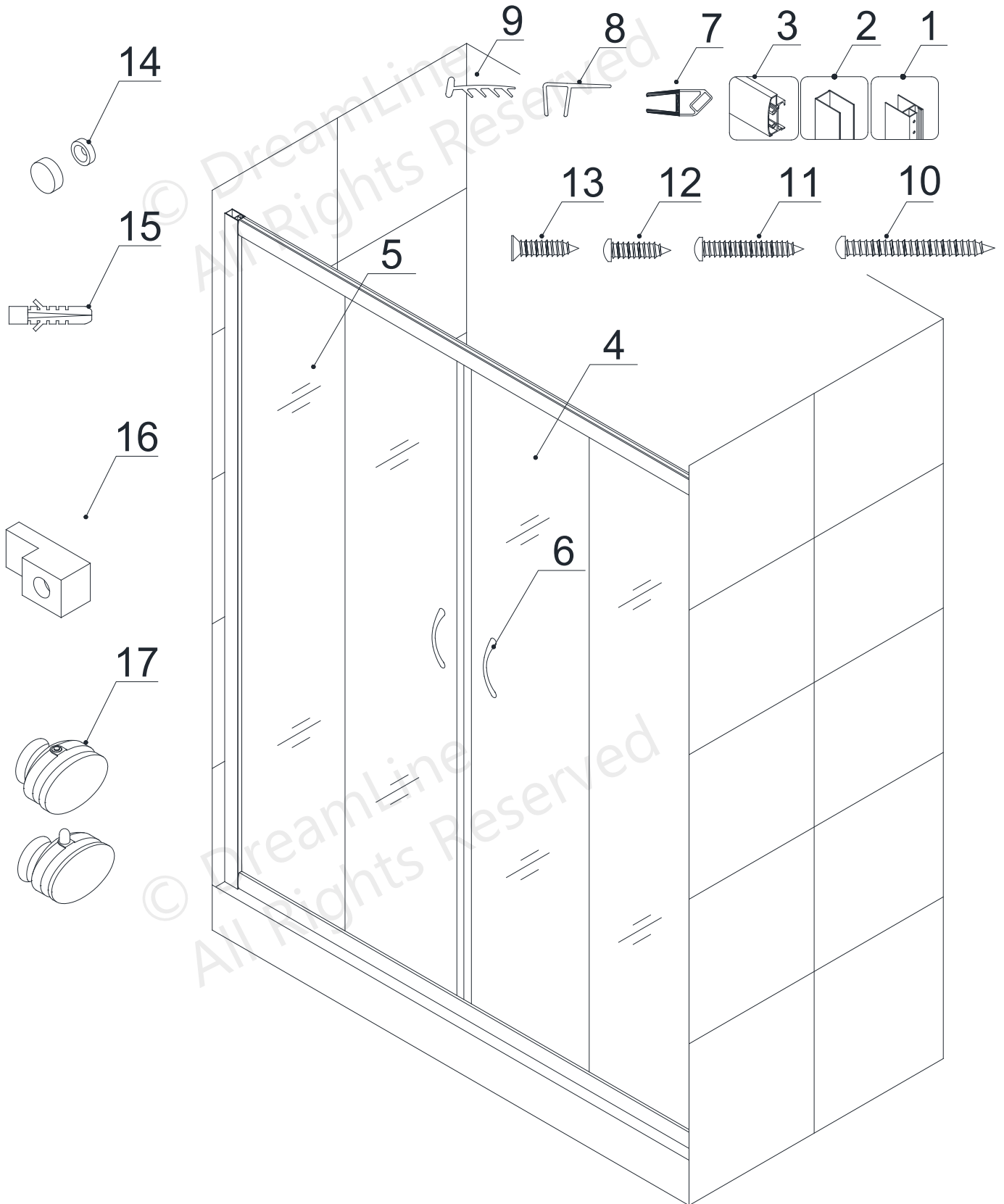
Threshold must be level



NOTE: Unpack your unit carefully and inspect it. Lay it out and identify all parts using the detailed diagram and packing list in this manual as a reference. Before discarding the carton, check for small hardware bags that may have fallen to the bottom of the box. If any parts are damaged or missing, please contact DreamLine® for replacement. The shipping boxes may contain extra parts not used in your model configuration.

NOTE: Retain these installation instructions for future reference.

Detailed Diagram of shower door components



Parts List

Item #	Description	Qty	Item #	Description	Qty
01	Glass Profile	2pcs	10	ST4.2×55 Pan Head Screw	8pcs
02	Wall Profile	2pcs	11	ST4.2×25 Pan Head Screw	8pcs
03	Guide Rail (top & bottom)	2pcs	12	ST4.2×10 Pan Head Screw	4pcs
04	Door Glass	2pcs	13	ST4.2×16 Countersunk Screw	4pcs
05	Panel Glass	2pcs	14	Decorative Cover with Washer	4pcs
06	Handle	2pairs	15	Wall Anchor	8pcs
07	Magnetic Vinyl Seal	1pair	16	Glass Holder	4pcs
08	Vertical Vinyl Seal (2 long, 2 short)	4pcs	17	Wheel Assembly (top & bottom)	4pairs
09	Side Strip Vinyl	2pcs			

© DreamLine
All Rights Reserved



All drawings in this manual are for illustrative purposes only and are not drawn to scale.

Installation Steps

1. Measure the distance between the two finished walls at the top (at model height: 58" or 72"), middle and bottom. The wall profiles will adjust for out-of-plumb conditions, so **use the smallest measurement as the "finished opening" (W)** dimension to determine the finished cut length in Step #2. **(Fig 1)**

NOTE: The **Top** and **Bottom Guide Rails (#03)** are shorter than the model size by design. They have been pre-cut for the model width and are made to fit between the wall profiles, (not wall-to-wall). See **Table A** below:

Table A

Model Size	Pre-cut Guide Rail Length
60" (for shower)	56-3/8"
60" (for tub)	56-3/8"

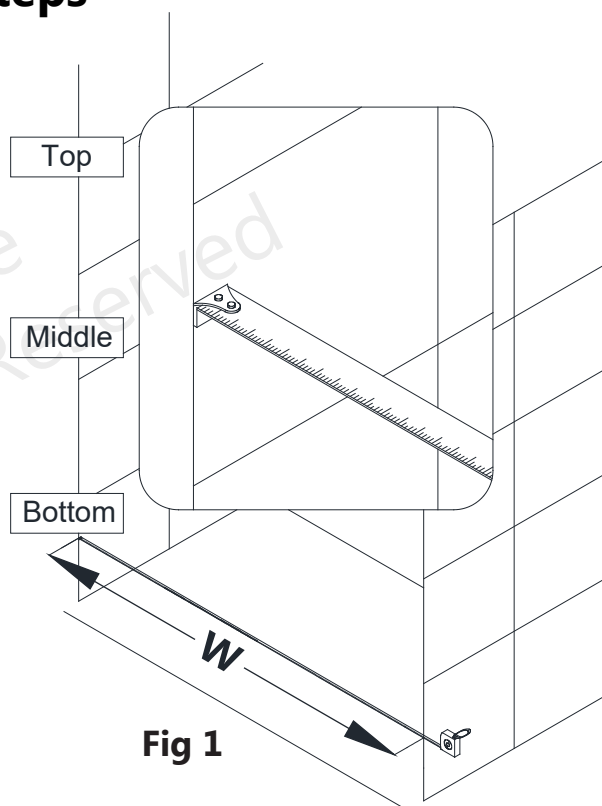


Fig 1

2. Subtract **3-3/8"** from your finished opening (**W**) to determine the finished cut length for the **Top and Bottom Guide Rails (#03)**. Cut the **Top and Bottom Guide Rails (#03)** equally from both ends to the finished cut length (**D**). (See **Table B** below.)

NOTE: In order to keep the pre-installed center stoppers centered, it is necessary to cut the **Top and Bottom Guide Rails (#03)** equally from both ends. **(Fig 2)**

Table B

$$\frac{\text{Finished Opening (W)}}{\text{Finished Opening (W)}} - 3\text{-}3/8" = \frac{\text{Finished Cut Size (D)}}{\text{Finished Cut Size (D)}}$$

$$\frac{\text{Model Size (from Table A)}}{\text{Model Size (from Table A)}} - \frac{\text{Finished Cut Size (D)}}{\text{Finished Cut Size (D)}} = \frac{\text{Difference}}{\text{Difference}}$$

$$\frac{\text{Difference}}{\text{Difference}} \div 2 = \frac{\text{Amount To Cut From Each End (EQ)}}{\text{Amount To Cut From Each End (EQ)}}$$

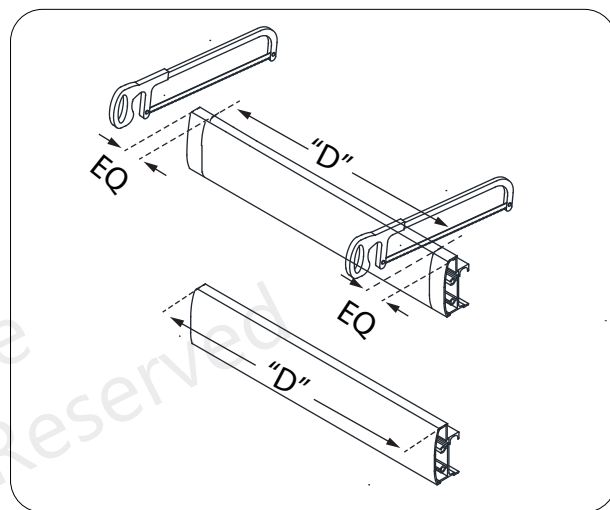


Fig 2

Use a metal file to clean up the cut ends of the rails



TIP: For easier installation into the opening, cut off an extra 1/8" from each end:
FINISHED OPENING (W) - 3-5/8" = FINISHED CUT LENGTH "D"

3. After the **Top** and **Bottom Guide Rails (#03)** have been cut to size, re-install the roller stoppers on both of the **Top** and **Bottom Guide Rails (#03)**. **Note: It is important that these roller stoppers are installed at the correct locations.**

Remove the existing stopper. Mark the drilling hole at a distance of **2"** from the end of the **Top** and **Bottom Guide Rails (#03)**. Drill a new hole using an **Ø1/8"** drill bit; then re-secure the stopper with the screw. **(Fig 3)**

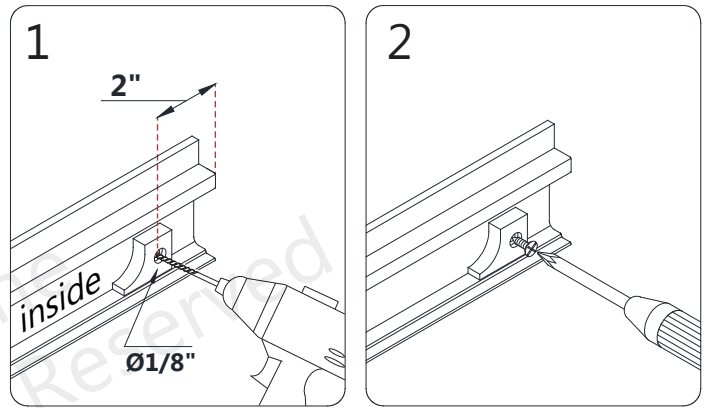


Fig 3
(Bottom Guide Rail shown)



ATTENTION: Do Not drill the **Guide Rail (#03)** throughout, **only** through the **first** layer.

4. Secure the **Bottom Guide Rail (#03)** and **Top Guide Rail (#03)** to the **Glass Profiles (#01)** with the **ST4.2×25 Pan Head Screws (#11)**. **(Fig 4)**



TIP: For ease of assembly, add some liquid soap, wax or lubricant to the screws prior to attaching the glass profiles to the guide rails. Use a low setting on the power drill to prevent stripping the screws.

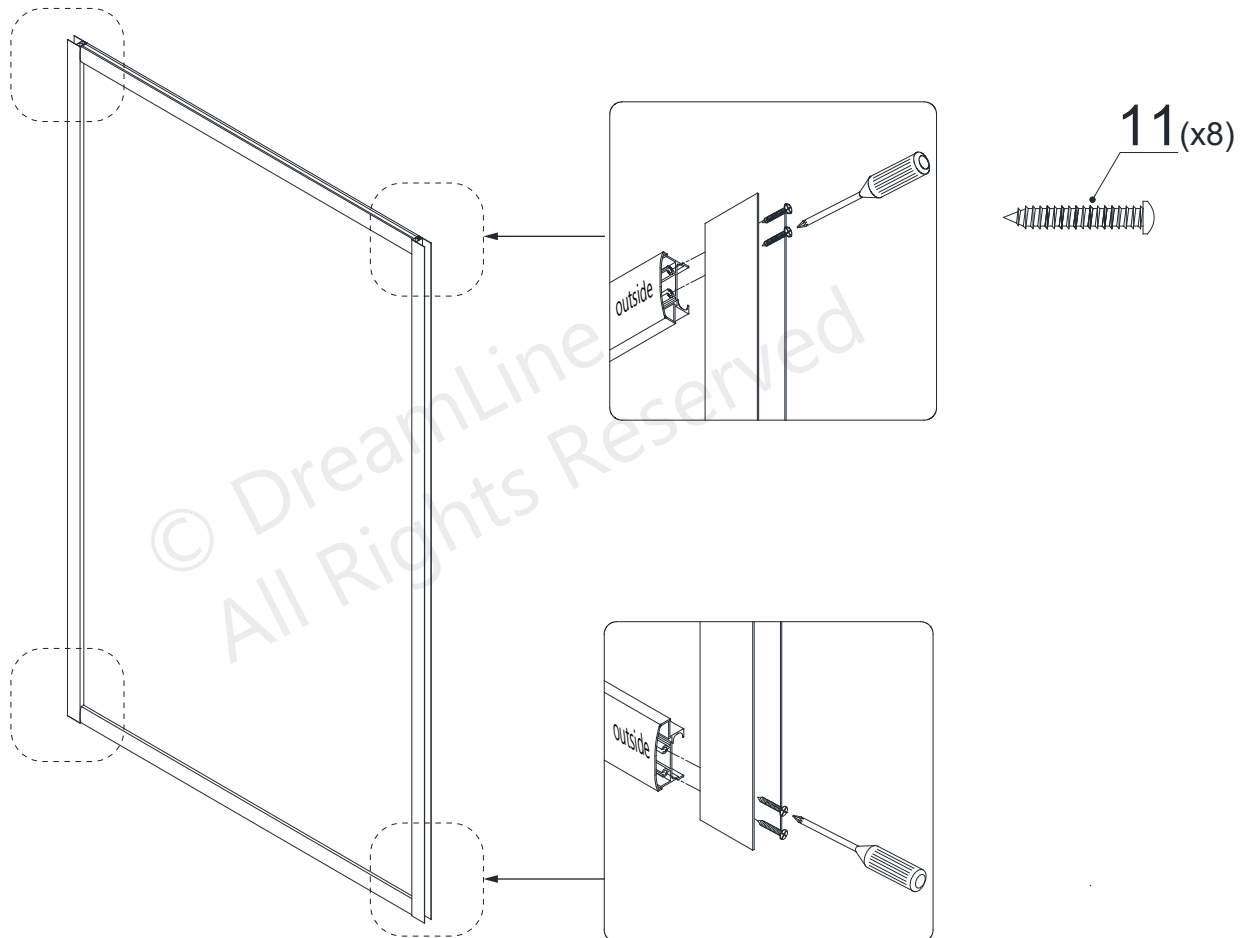


Fig 4

5. Slide the **Wall Profiles (#02)** all the way onto the **Glass Profiles (#01)** on both sides. (Fig 5)



NOTE: The holes in the **Wall Profiles (#02)** are off-center and should align with the holes in the glass profiles and the groove for the panel glass. (Fig 5.1)

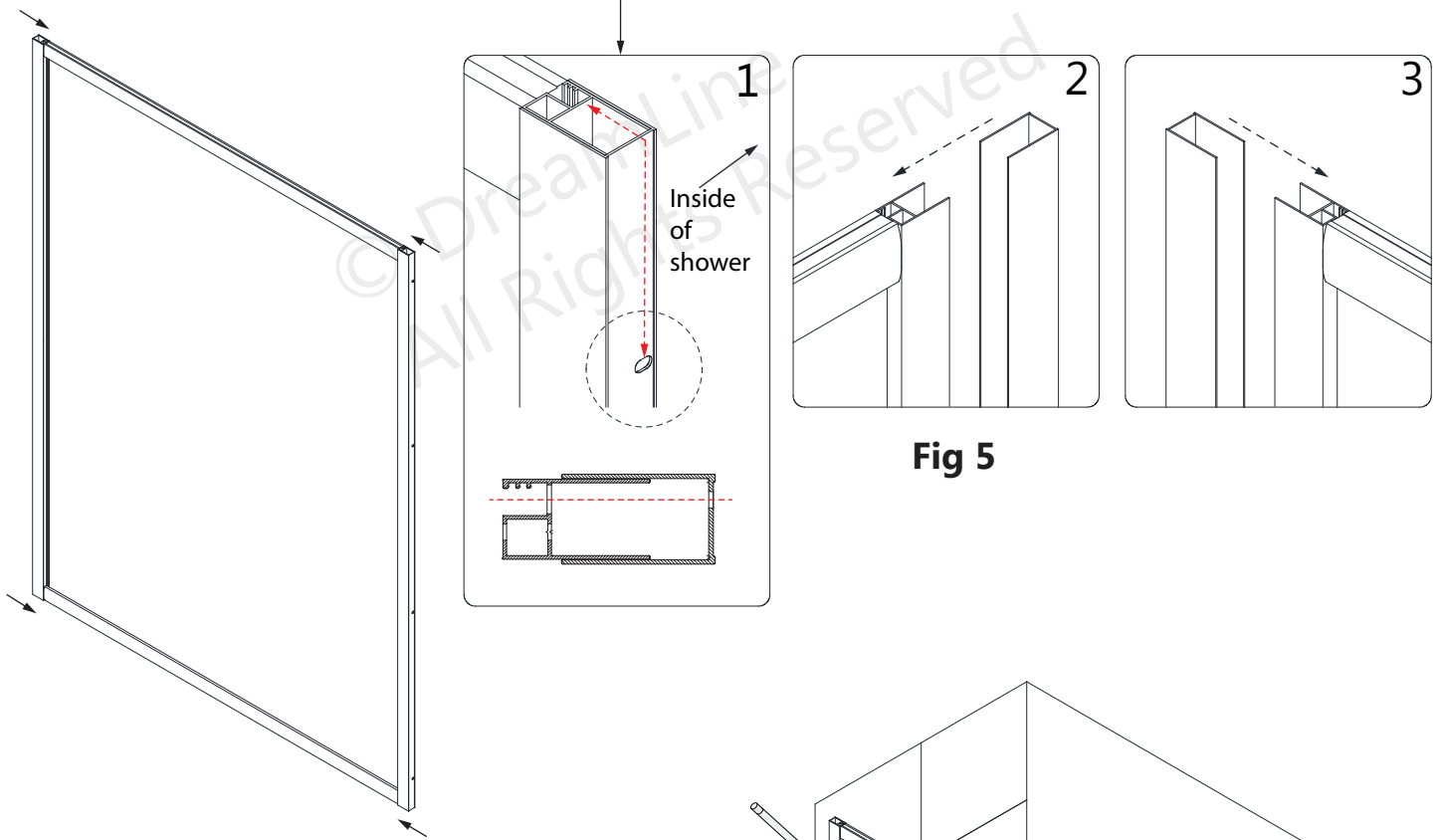


Fig 5

6. Move the assembled frame into position on the threshold, and push the **Wall Profiles (#02)** tight to the walls to compensate for any out-of-plumb conditions. Push the bottom rail down tight to the threshold and adjust the frame to a vertical position. Confirm with a level before marking the position of the wall profiles and the holes for drilling. (Fig 6)

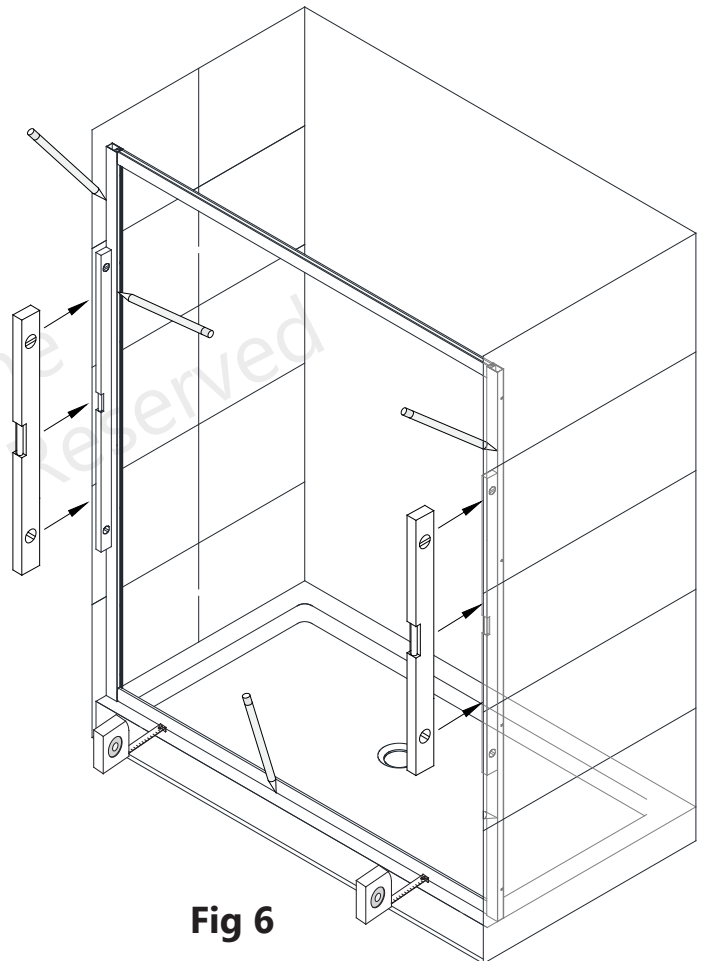


Fig 6

7. Use an assistant to hold the assembly in position and mark the holes for drilling on the wall through the holes in the **Glass Profiles (#01)** and the **Wall Profiles (#02)**. Set the assembled unit aside. Drill the holes using a **Ø5/16"** drill bit and insert the **Wall Anchors (#15)**. **(Fig 7)**

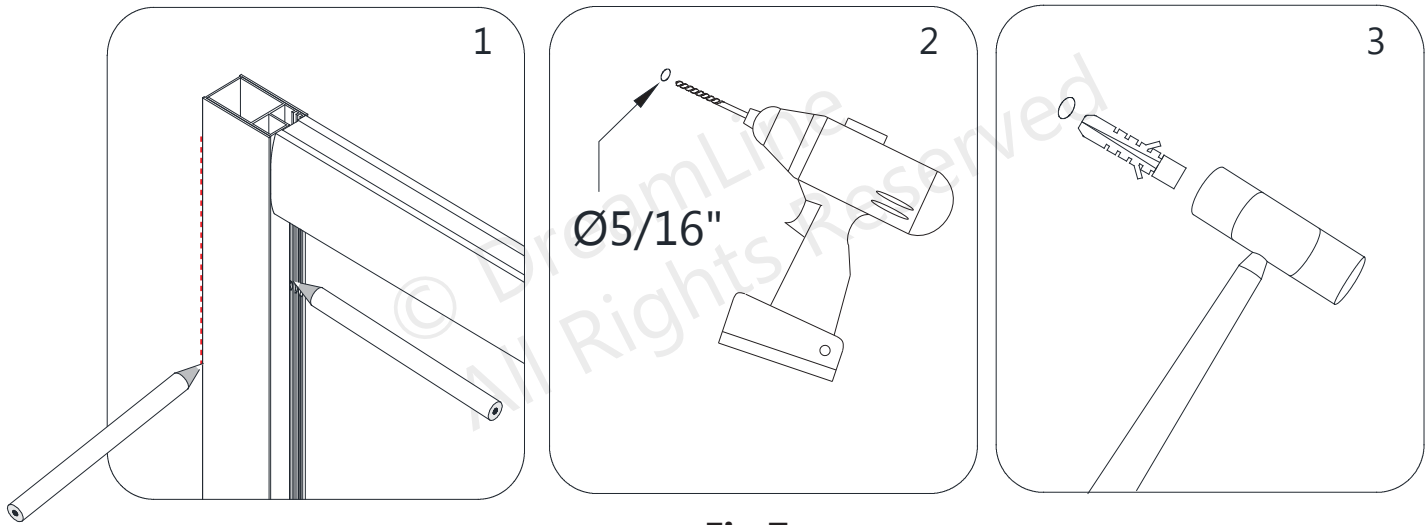


Fig 7

8. Apply silicone caulk to the rear surface of the **Wall Profiles (#02)**, the underside of the **Bottom Guide Rail (#03)**, and around the drilled holes in the wall. Place the entire shower assembly back into the designated position and secure it to the walls using the **ST4.2×55 Pan Head Screws (#10)**. The screws will pass through the larger holes in the **Glass Profile (#01)** and secure the **Wall Profiles (#02)** to each wall. **(Fig 8)**

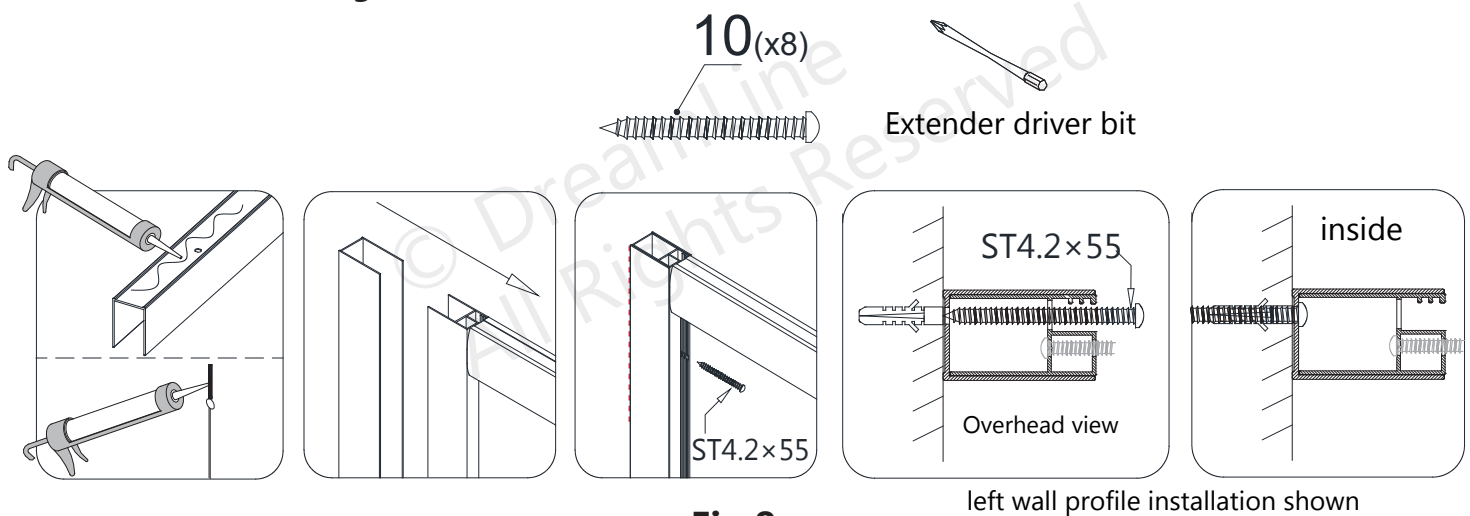


Fig 8



NOTE: Use steady, even pressure when installing the screws to prevent stripping the screw heads!

9. It is necessary to drill new $\text{Ø}1/8''$ holes into the **Guide Rails (#03)** to attach the **Glass Holders (#16)**. Slide both lites of **Panel Glass (#05)** all the way into the grooves of the **Glass Profiles (#01)** on both sides. Hold the **Glass Holders (#16)** in place and mark the new holes with a pencil or a drill bit. Remove the **Panel Glass (#05)** to prevent damage prior to drilling into the **Guide Rails (#03)**. Drill $\text{Ø}1/8''$ holes into the **Guide Rails (#03)**. Reinstall the **Panel Glass (#05)** and attach the **Glass Holders (#16)** to the **Guide Rails (#03)** using the **ST4.2×16 Countersunk Screws (#13)**. (Fig 9)

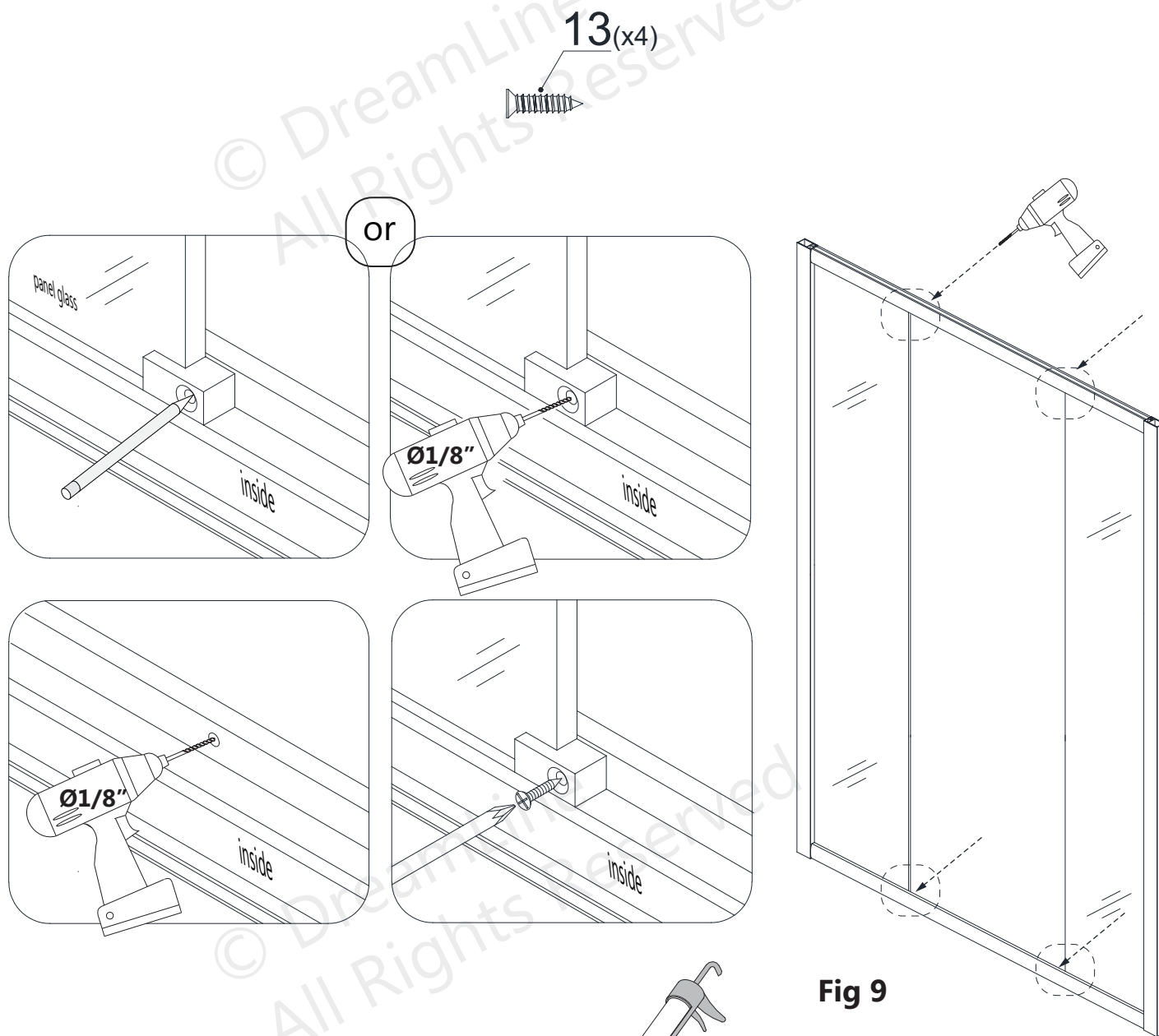
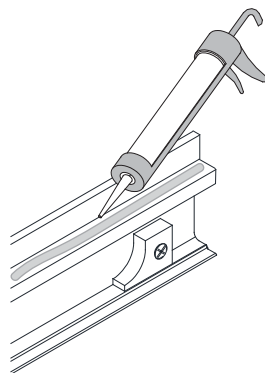


Fig 9



Tip: Apply a thin bead of silicone onto the bottom rail where the panel glass sits prior to the final installation of the panel glass.



10. From the inside of the shower, install the **Side Strip Vinyl (#09)** in-between the **Panel Glass (#05)** and the **Glass Profiles (#01)**. Start from the bottom and do not stretch the vinyl. **(Fig 10)**



ATTENTION: To prevent scratching or damaging the glass and aluminium, Do Not use a screwdriver or other metal objects to install the **Side Strip Vinyl (#09)**.

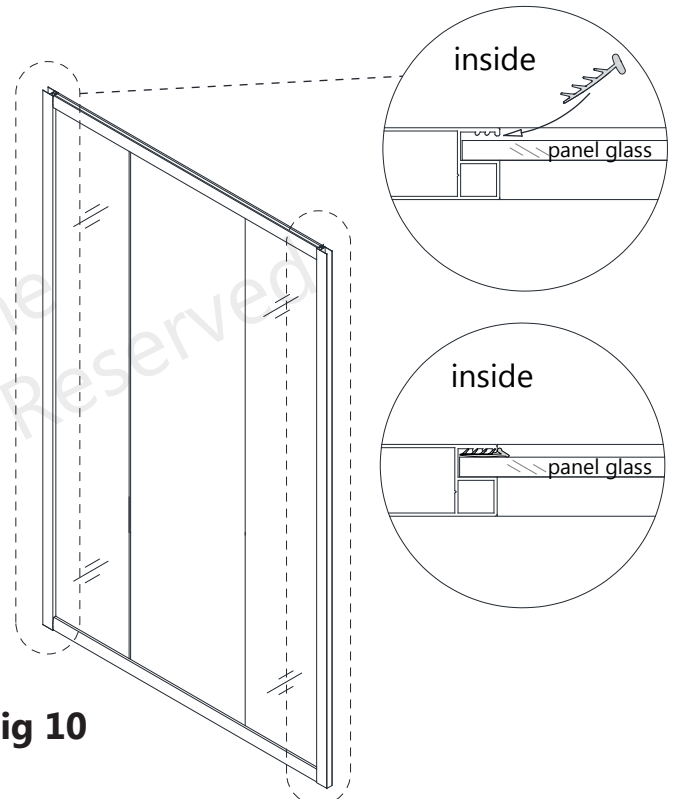


Fig 10

11. Fasten the **Top and Bottom Wheel Assemblies (#17)** to the **Door Glass (#04)** with the wheels facing the outside of the shower. The top wheels can adjust the door level with the adjustment bolt and lock nut. The bottom wheel has a press button to fix the wheel into the bottom **Guide Rail (#03)**. **(Fig 11)**



NOTE: The **lock nut** of the **Top Wheel Assembly (#17)** and the **press button** of the **Bottom Wheel Assembly (#17)** should be **pointing up**. **(Fig 11)**

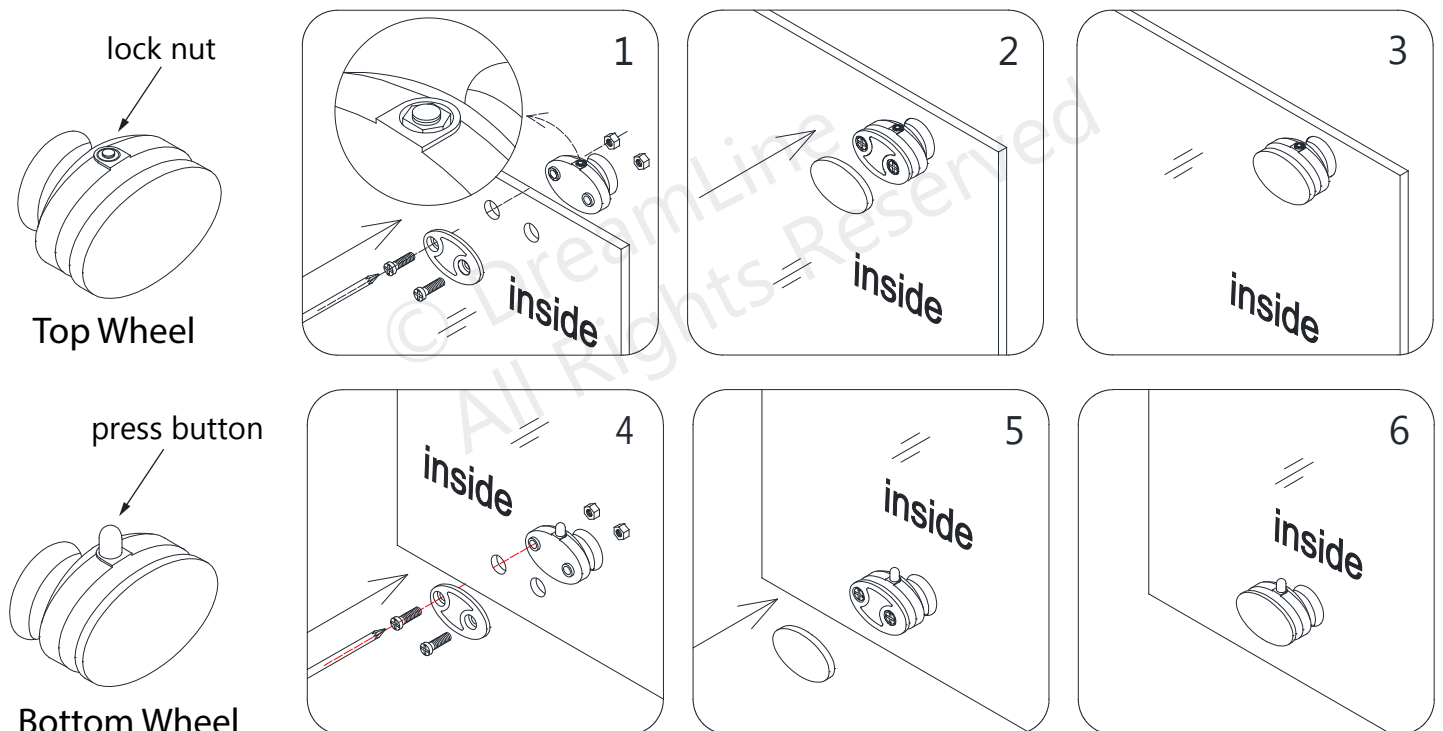


Fig 11



NOTE: DO NOT attach the handle to the door glass until instructed. DO NOT use the handle to lift the glass during installation. This may result in damage to the glass and/or serious injury. Always use an assistant or a professional grade glass suction cup when handling heavy glass.

12. From inside the shower, insert the **Bottom Wheel Assemblies (#17)** into the bottom **Guide Rail (#03)** (Fig 12.1-2), lift the door up and set the **Top Wheel Assemblies (#17)** into the top **Guide Rail (#03)** (Fig 12.3). Test the operation of the door, and if necessary, use a #2 Phillips screwdriver (do not use a power screwdriver) to adjust the upper wheels so the door rolls smoothly and closes tight. **(Fig 12)**

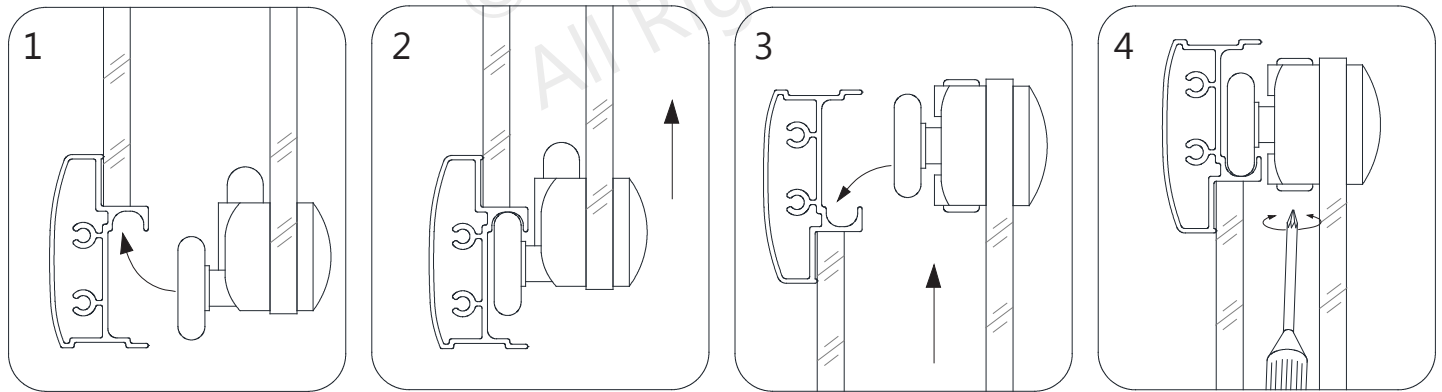


Fig 12

*Adjust the top wheel assemblies if necessary



ATTENTION: Use caution not to close the door glass together during installation.

13. Install the **Handles (#06)** to the **Door Glass (#04)**.

Press the shorter **Vertical Vinyl Seals (#08)** onto the vertical edges of the **Panel Glass (#05)** and the longer **Vertical Vinyl Seals (#08)** onto the vertical edges of the **Door Glass (#04)**.

Press the **Magnetic Vinyl Seals (#07)** onto the vertical edges of both **Door Glass (#04)**. **(Fig 13)**

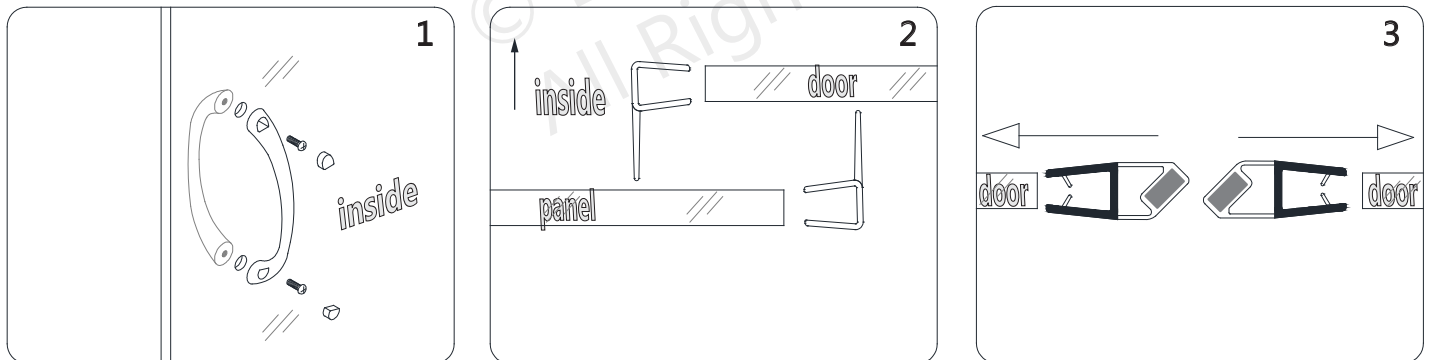
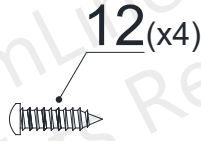


Fig 13

14. Perform the final adjustments of the assembled unit within the **Wall Profiles (#02)**. **Make sure the Bottom Guide Rail (#03) is tight to the threshold.** Drill $\text{Ø}1/8''$ holes into the center of the **Wall Profile (#02)** and into the **Glass Profile (#01)**. Drill one hole at the top and one hole at the bottom of each profile (approx $3/4''$ from the wall) .

Secure the **Wall Profiles (#02)** to the **Glass Profiles (#01)** using the **Washers (#14)** and **ST4.2×10 Pan Head Screws (#12)**. Cover the exposed screw heads with the **Decorative Covers (#14)**. (Fig 14)



ATTENTION: Do Not drill the profiles throughout, only through the first layer of the wall profile and glass profile.

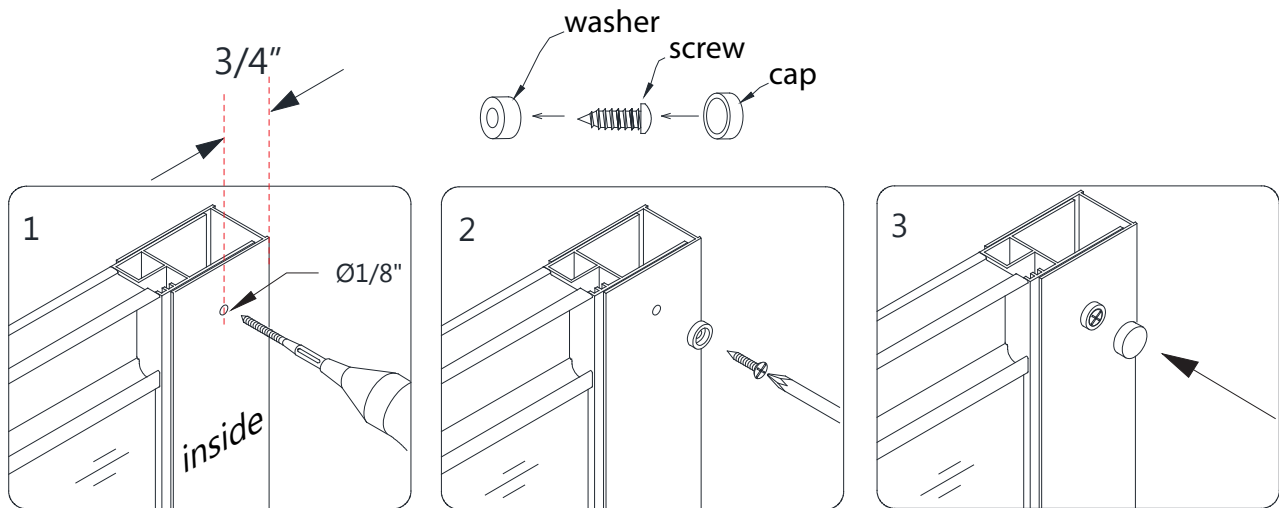


Fig 14

15. Apply a good quality mildew-resistant silicone along the interior perimeter of the wall profiles and bottom guide rail along the walls and threshold. **(Fig 15)**



NOTE: The surfaces need to be clean and free of debris before applying silicone.

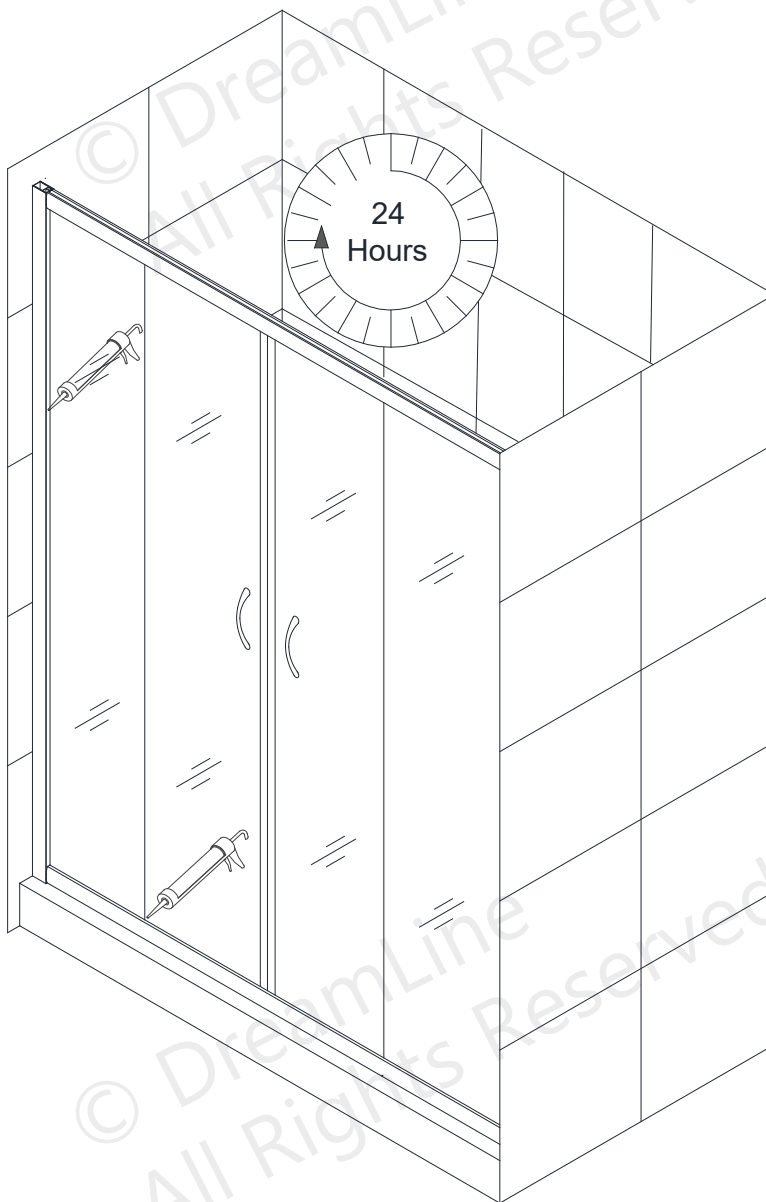


Fig 15



ATTENTION: Allow 24 hours for the silicone to cure before using the shower.

Product Maintenance

BASES and BACKWALLS: To ensure long-lasting life for your acrylic back walls, wipe them off after each use with a soft cloth. To clean the acrylic back walls use non-abrasive sprays or cream based cleaners. Avoid the use of aerosol spray cleaners. Never use abrasive cleansers, metal brushes or scrapers that could scratch or dull the surface.

GLASS: To ensure long-lasting life for your glass shower products, wipe them off after each use with a soft cloth. Rinse and wipe off the glass using either a soft cloth or a squeegee to prevent soap buildup and water spots (Hard water can etch the surface of the glass over time if left to dry). To prevent scratching the surface: never use abrasive cleaners or cleaning products that contain scouring agents. Never use bristle brushes or abrasive sponges that may scratch the surface.

HARDWARE: To ensure a long-lasting finish, wipe off the metal parts after each use with a soft cloth. Do not use abrasive cleaners or cleaning products containing ammonia, bleach or acid. If accidentally used, rinse the surface as soon as possible to prevent damage to the finish (peeling or corrosion). After cleaning the polished finishes, rinse thoroughly and wipe dry with a soft cloth.

Clean stainless steel surfaces at least once a week. When applying stainless steel cleaner or polish to stainless steel hardware, work with (not across) the grain. Never use an abrasive sponge or cloth, steel wool or wired brush as these may permanently scratch the surfaces.

NOTE: To maximize the life of your door, it is important to regularly inspect the glass and all hardware for misalignment, proper attachment, and/or damage. Contact DreamLine® with any questions or concerns.

DreamLine® shower doors and enclosures are designed not to leak when installed properly and the flow of water is not pointed directly at the vinyl seals.

© DreamLine
All Rights Reserved

© DreamLine
All Rights Reserved



© DreamLine
All Rights Reserved

TEL: 866-731-2244
FAX: 866-857-3638
DREAMLINE.COM

For more information on DreamLine® Shower Doors and Enclosures please visit **DreamLine.com**