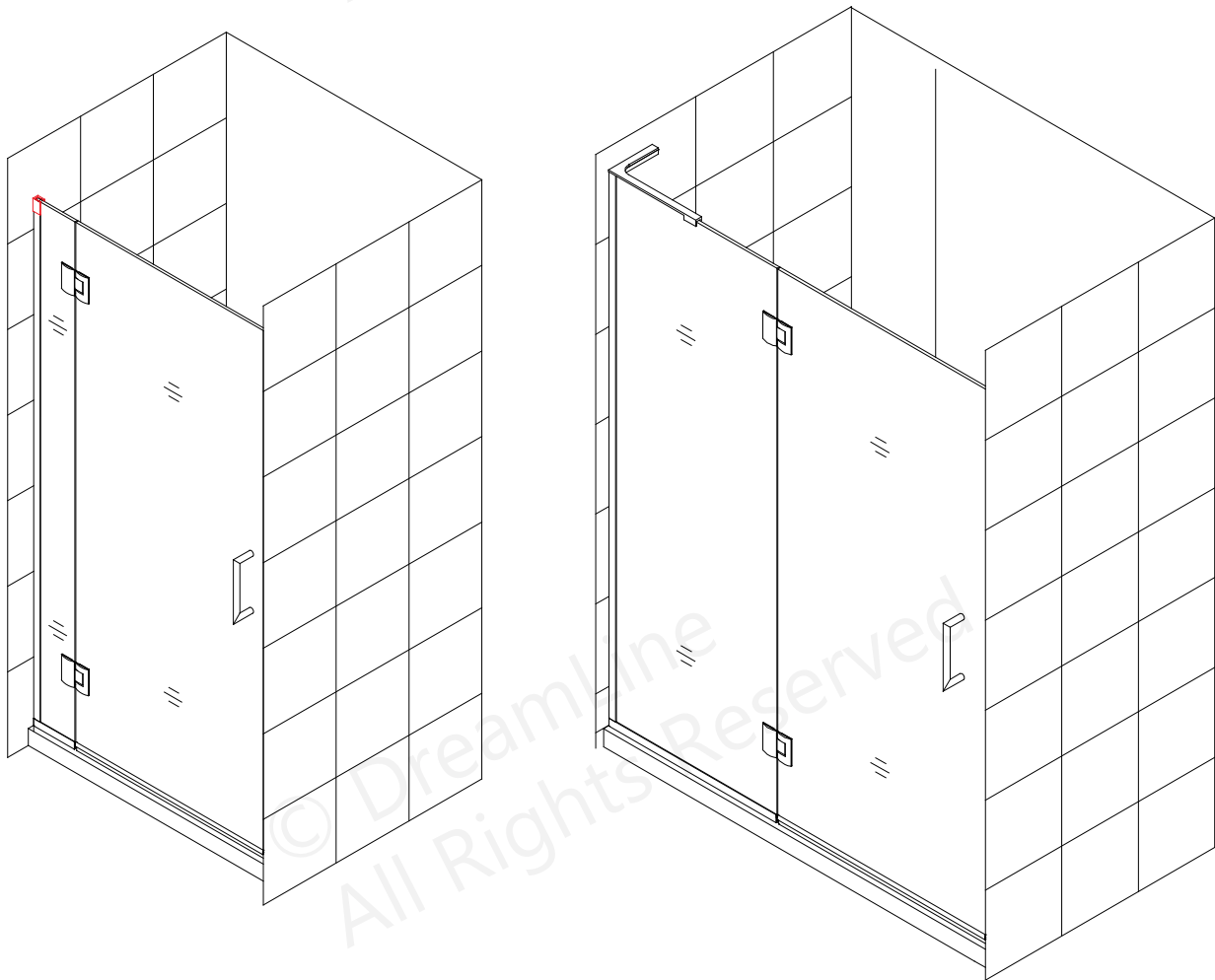


# UNIDOOR-X Style M

## GLASS-TO-GLASS HINGE SHOWER DOOR INSTALLATION

### IMPORTANT

DreamLine<sup>®</sup> reserves the right to alter, modify or redesign products at any time without prior notice for the purpose of product improvement and customer experience. Please refer to the model's web page on **DreamLine.com** for the latest technical drawings, installation manuals, warranty information or additional product details.



Right Hand Door installation shown

**Please review this entire manual prior to installation**



### Questions?

Please Call **DreamLine** Customer Support: **1-855-831-2126**  
Hours of Operation M-F 8AM - 7PM EST and Saturday 9AM - 5PM EST

**Support@DreamLine.com**



**For more information about DreamLine<sup>®</sup> products please visit DreamLine.com**



**This model is treated with DreamLine's exclusive ClearMax™ Glass technology. This is a specially-formulated coating that prevents the build up of soap and water spots.**

**Install the surface with the ClearMax™ label towards the inside of the shower. Please note that depending on the model, the glass may be coated on either one or both surfaces.**

**For best results, squeegee the glass after each use and dry with a soft cloth.**

Record the following purchase information for your records or in the event you need to contact DreamLine®:

Purchase Order  
Number \_\_\_\_\_

Store/Vendor  
Purchased From \_\_\_\_\_

Installation Date \_\_\_\_\_

OD Number  
(optional) \_\_\_\_\_  
\*found on the shipping box or label  
if available.

Installed By: \_\_\_\_\_

SKU Number \_\_\_\_\_

## Table of Contents

<b>Section title</b>	<b>Page #</b>
Important Steps	2
Model Numbers	3
Model Styles and Manuals	4~5
Preparation	6
Tools	7
Parts List & Detailed Diagram of shower door components	8
Installation of 6" Hinge Panel with Hinge Panel Glass Bracket	10~14
Installation of 24" Hinge Panel Glass with L-Bar™	15~21
Hinges and Door Glass installation	22~23
Vinyl Seals	24~25
Adjustable Hinge instructions	27
Product maintenance	28

**NOTE:** Unpack your unit carefully and inspect it. Lay it out and identify all parts using the detailed diagram and packing list in your manual as a reference. Before discarding the carton, check for small hardware bags that may have fallen to the bottom of the box. If any parts are damaged or missing, please contact DreamLine® for replacement. The shipping boxes may contain extra parts not used in your model configuration. Retain these installation instructions for future reference.



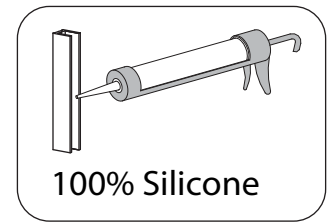
This product should be installed by someone familiar with the construction requirements for this type of project and the care necessary for the safe installation and operation of the product.



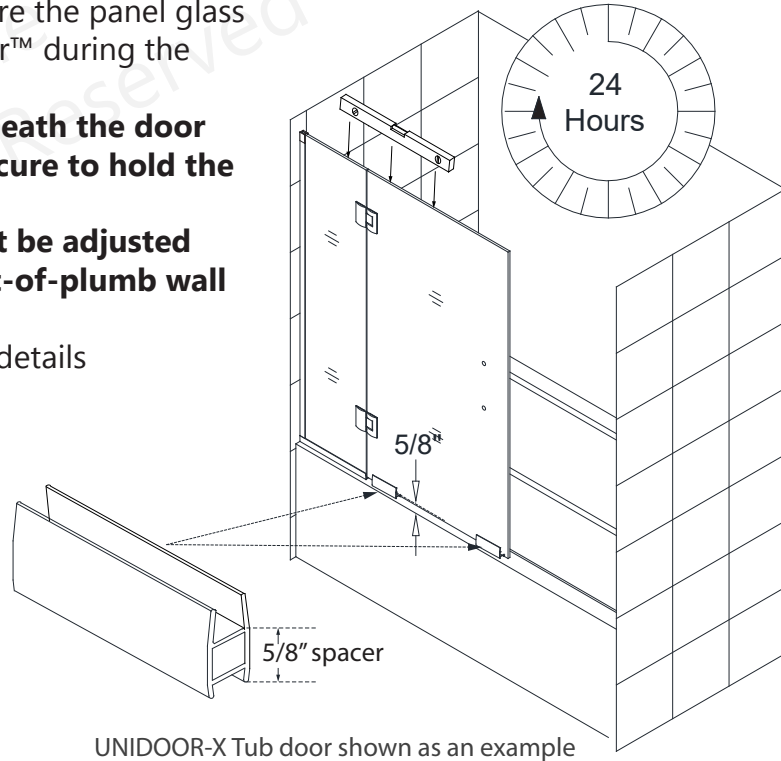
The hinge panel glass must be properly installed and secured to support the weight of the door glass. Failure to follow these steps may result in the hinge panel glass pulling out of the U-Channel.

### IMPORTANT STEPS TO FOLLOW:

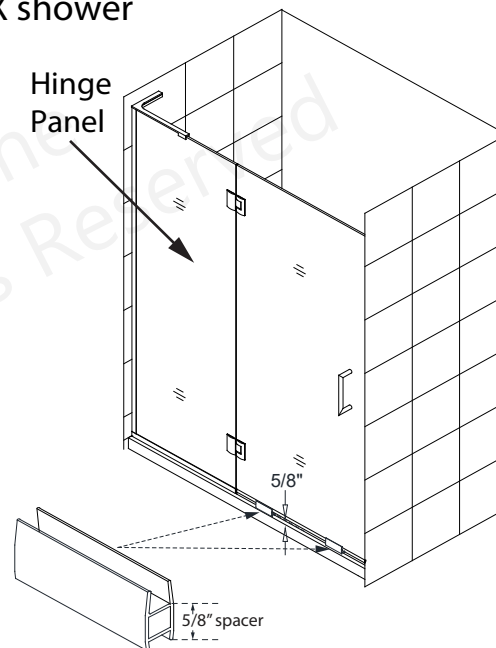
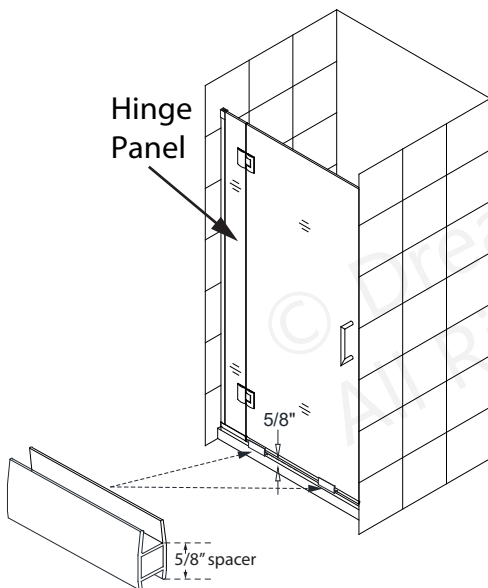
- Use 100% silicone caulk - a quick-drying or fast-curing silicone is recommended for the installation of hinge panel glass into the u-channels
- Apply enough silicone into the u-channels to secure the panel glass
- Fully tighten the hinge panel glass bracket or L-Bar™ during the installation of hinge panel glass
- **DO NOT remove the spacers or shims from beneath the door glass for 24 hours to allow the silicone to fully cure to hold the hinge panel glass securely in the u-channels**
- **The hinge panel glass for this model should not be adjusted more than 1/4" within the u-channel for an out-of-plumb wall condition**
- Refer to the product installation manual for more details



**Leave the spacers or shims in place beneath the door glass for at least 24 hours after installation.**

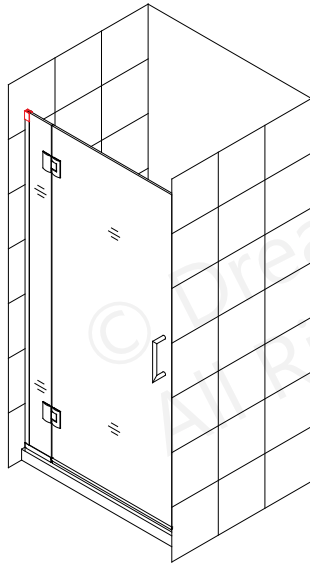


### Unidoor-X shower



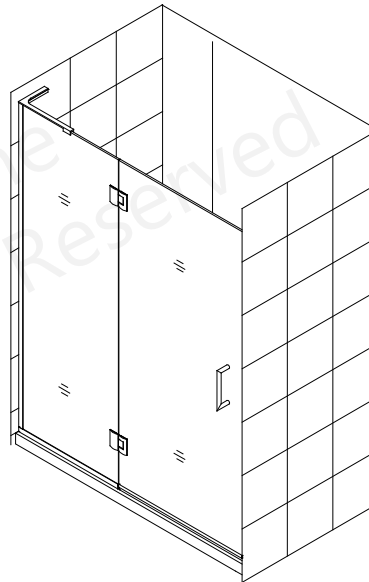
**NOTE: Leave spacers or shims in place beneath the door glass for 24 hours. If time allows, delay installing the door glass onto the hinge panel glass for 24 hours until the silicone securing the hinge panel glass has fully cured.**

# Model Numbers



**UNIDOOR-X Style M**  
with **6"** hinge panel with  
Hinge Panel Glass Bracket

D12372-##  
D12472-##  
D12572-##  
D12672-##  
D12772-##  
D12872-##  
D12972-##  
D13072-##

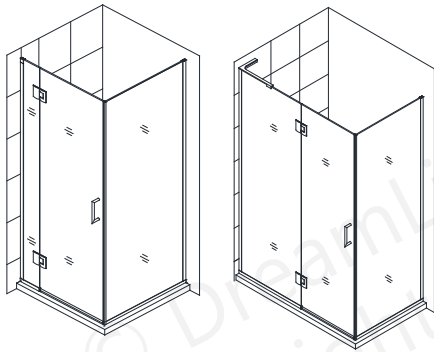


**UNIDOOR-X Style M**  
with **24"** hinge panel  
with Left or Right L-Bracket

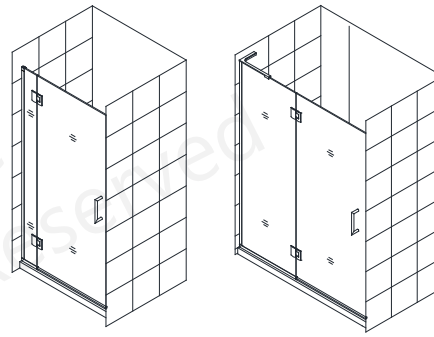
D32372L-##  
D32372R-##  
D32472L-##  
D32472R-##  
D32572L-##  
D32572R-##  
D32672L-##  
D32672R-##  
D32772L-##  
D32772R-##  
D32872L-##  
D32872R-##  
D32972L-##  
D32972R-##  
D33072L-##  
D33072R-##

##- hardware finish  
01- Chrome  
04- Brushed Nickel  
06- Oil Rubbed Bronze  
09 - Satin Black

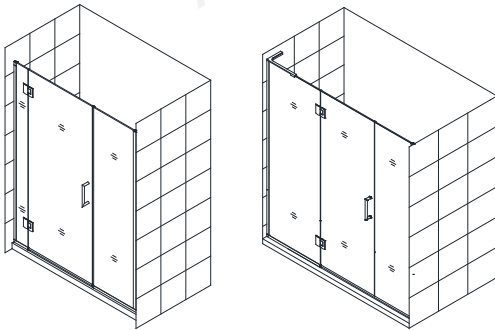
# This Unidoor-X Style M manual is used with the following Model Styles:



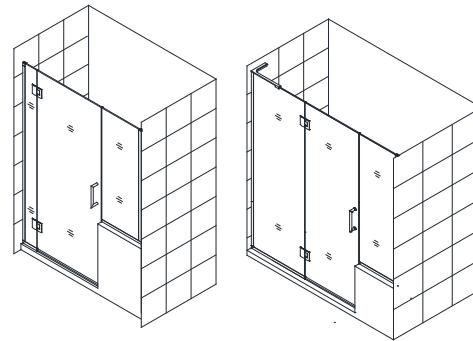
Style L1



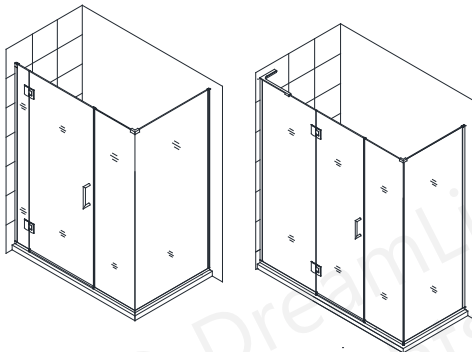
Style M



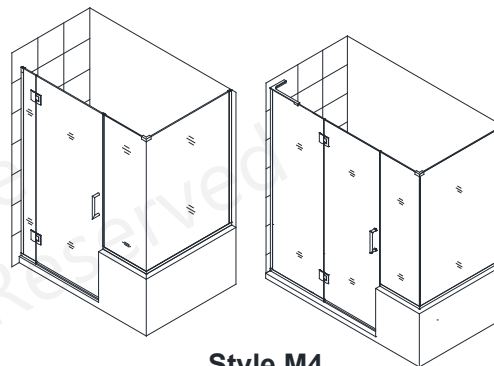
Style M1



Style M2



Style M3



Style M4



When installing one of the glass-to-glass hinges configurations shown above;

**Discard the Style A manual** that is packaged with the door glass and **use this Style M manual for the installation of the hinge panel glass and door glass.**

Next, use the manual that is packaged with the panel glass for the panel installation instructions **which include the enclosure installation dimensions** based on the Style or configuration:

- for **Style M1** - use manuals for Style M & Style F
- for **Style M2** - use manuals for Style M & Style G
- for **Style M3** - use manuals for Style M & Style I
- for **Style M4** - use manuals for Style M & Style J
- for **Style L1** - use manuals for Style M & Style L

**STYLE L1 \***

UNIDOOR-X Shower door 23"~30" with 6" or 24" hinge panel and with 30"- 34" full height return panel secured using u-channel

**STYLE M \***

UNIDOOR-X Shower door 23"~30" with 6" or 24" hinge panel secured using u-channel

**STYLE M1 \***

UNIDOOR-X Shower door 23"~30" with 6" or 24" hinge panel and with 6", 6-1/2", 14", 14-1/2", 22" or 22-1/2" full height inline panel secured using u-channel

**STYLE M2 \***

UNIDOOR-X Shower door 23"~30" with 6" or 24" hinge panel with 12", 18", 24" or 26" inline buttress panel secured using u-channel

**STYLE M3 \***

UNIDOOR-X Shower door 23"~30" with 6" or 24" hinge panel, with 6", 6-1/2", 14", 14-1/2", 22" or 22-1/2" full height inline panel and 30" - 34" full height return panel secured using u-channel

**STYLE M4 \***

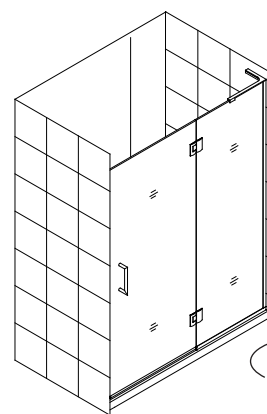
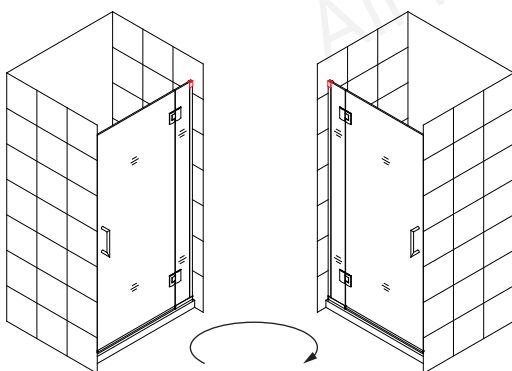
UNIDOOR-X Shower door 23"~30" with 6" or 24" hinge panel, with 12", 18", 24" or 26" in-line buttress panel and 30", 36" or 40" buttress return panel secured using u-channel

\* For the panel installation instructions, please refer to the separate manual included in the panel glass packaging.

**Depending on the panel glass size, some panel glass may have both an inline panel manual and a return panel manual. Use the appropriate manual for the model style/configuration.**

**For Example: a 30" full height panel can be used as an inline panel or a full height return panel.**

**NOTE:** The Unidoor series doors and enclosures are reversible for left or right-hand door installation. This manual will show the right-hand door installation. For a left-hand door installation, simply begin on the opposite wall and reverse the orientation of the parts as necessary.



use Right-hand L-bracket

use Left-hand L-bracket

## Preparation

1. Prior to installation, examine all boxes and packages for shipping damage and compare the piece count with your packing slip. After opening all boxes and packages read this introduction carefully. Check that all of the needed parts are included in the package by checking off the components on the "Detailed Diagram of Shower Door Components". If the unit has been damaged, has a finishing defect, or has missing parts, please contact our customer support department within **3 business days** of the delivery date. **Please note that DreamLine® will not replace any damaged products or missing parts free of charge after 3 business days or if the product has been installed.** Feel free to contact DreamLine® if you have any questions, and please provide an order number, job name or other proof of purchase to help us identify your original order.
2. **Please note that you should consult your local building codes with questions on installation compliance standards. Building and plumbing codes may vary by location, and DreamLine® is not responsible for code compliance standards for your project and will not accept any returns.**
3. If this unit is going to be installed in a new construction, please install all of the required plumbing and drainage before installing the shower. Use a competent and licensed (if required by local code) plumber for all plumbing installation.
4. Please make sure that prior to beginning the installation, the surfaces are leveled and solid and will be able to support the total weight of the unit. Also make sure the walls are at right angles. Irregular installation surface level, radius corners or improper angle of side walls will result in serious problems for your installation. Note that some adjustments and drilling will be necessary during the installation process.
5. Please protect all primary surfaces of the product during installation. **Never set the glass down directly onto a tile floor. Leave corner protectors in place until it is necessary to remove them.** Always use a piece of wood or cardboard to protect the bottom edge and corners of the glass prior to and during installation.
6. This unit must be installed upon a finished threshold and against finished walls.
7. **The hinge panel glass for this model should not be adjusted more than 1/4" for out-of-plumb within the U-channel.** This model does NOT have any adjustment for overall width. Verify that the model size ordered will fit the finished opening before beginning installation.
8. **This model requires that you drill into the threshold for proper installation.**
9. **It is recommended to install the hinge-side U-Channel into a stud.**
10. This model requires minimum **5/8"** of flat threshold space for installation.

### Professional installation recommended



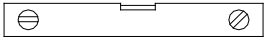
**NOTE: It is required to allow the silicone to fully cure in the U-channels before installing the door glass.**



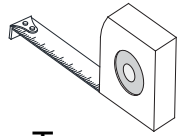
**NOTE: DO NOT** install the handle onto the door glass until instructed to do so. **DO NOT** attempt to lift the glass using the handle. This could result in damage to the glass and/or serious personal injury. Always use an assistant or a professional grade glass suction cup when handling heavy glass.



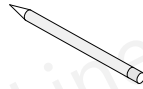
# Tools



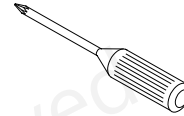
Level



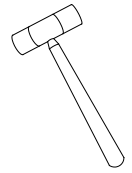
Tape Measure



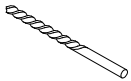
Pencil



Phillips Screwdriver



Hammer



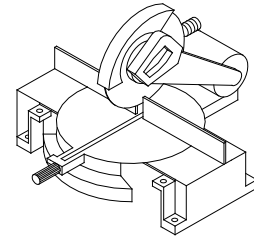
Drill bit  
(Ø=5/16")



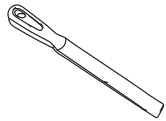
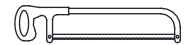
Drill bit  
(Ø=1/8")



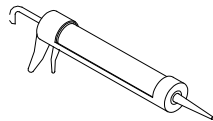
Power Drill



Miter saw or Hacksaw



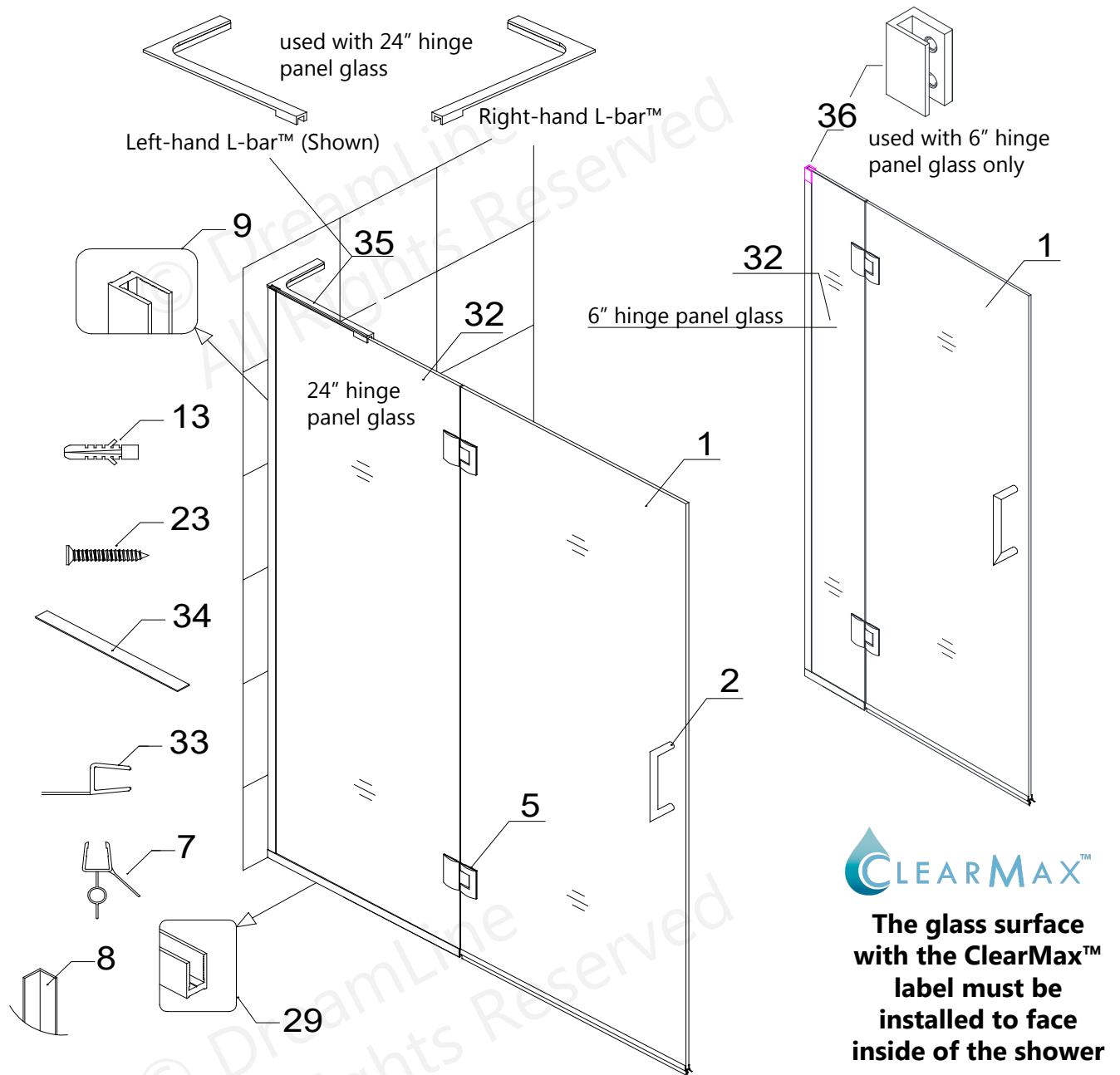
Metal File



100% Silicone\*

\*Quick-drying/fast curing silicone recommended for the installation of hinge panels.

# Detailed Diagram of shower door components



## Parts List

01	Door Glass	1pc	23	ST4.2x40 Countersunk screw	8pcs
02	Handle	1pc	29	U-channel 2 (44", bottom profile)	1pc
05	Glass-to-Glass Hinge	2pcs	32	Hinge panel glass (6" or 24")***	1pc
07	Bottom Sweep Vinyl Seal	1pc	33	Hinge-side vinyl seal	1pc
08	L-Strike Vinyl w/VHB tape	1pc	34	PVC glass spacer (0.5mm)	1pc
09	U-channel 1 (76", wall profile)	1pc	35	L-Bar™ (Left or Right) (for 24")**	1pc
13	Ø5/16" Wall anchor	5pcs	36	Hinge Panel Glass Bracket (for 6") ^	1pc

\* L-shaped strip (#08) only used for Style M configuration

\*\* L-Bar™ (for 24" hinge panel glass) is not included with 6" hinge panel glass

\*\*\* Hinge panel glass - the top hinge cutout is 7-7/8" to center, the bottom cutout is 8-3/8" to center.

^ Hinge Panel Glass Bracket (#36) is for the 6" hinge panel only and is not to be used with the 24" hinge panel glass

# Installation steps

## Style M - 6" & 24" Inline Panel and Shower Door Installation

**NOTE:** The following shower door installation instructions should be used as a general guide and prerequisite to the installation of the UNIDOOR Style M, M1, M2, M3, M4 and L1 models. Before you begin the installation, please check your finished opening size and model dimensions to ensure proper placement of the Hinge Panel Glass (#32) and Door Glass (#01). Specific size information can be found on our website: [DreamLine.com](http://DreamLine.com).

**NOTE:** The 24" Hinge Panel Glass (#32) installs with either a left or right L-Bar™ (#35). (Fig A)

The 6" Hinge Panel Glass installs with the Hinge Panel Glass Bracket (#36). (Fig B)

This manual includes instructions for both methods.



**NOTE:** There is a top and a bottom to the Hinge Panel Glass (#32): The top hinge cutout is 7-7/8" to center, the bottom hinge cutout is 8-3/8" to center. The hinge panel glass **must** be installed correctly.

**NOTE:** For the 6" Hinge Panel Glass (#32) installation, begin with Step #1. The Hinge Panel Glass Bracket (#36) installs at the top of the vertical U-channel. (Fig B)

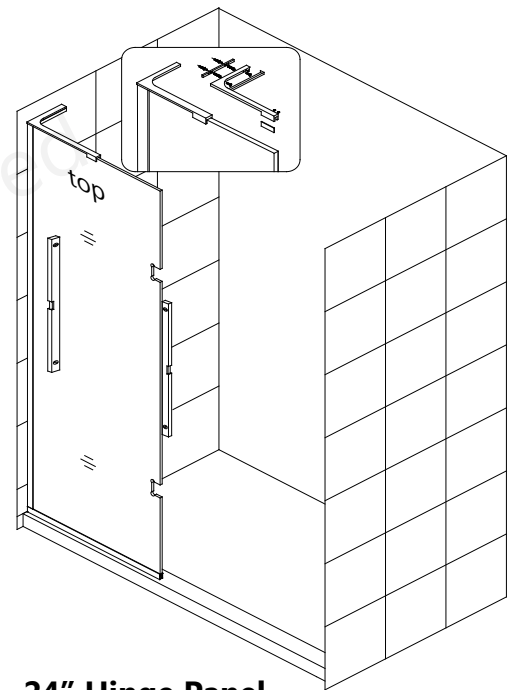
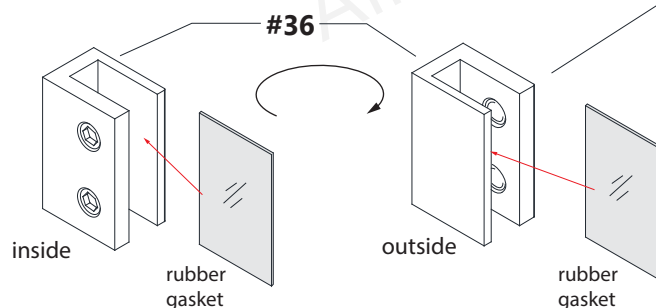
The Hinge Panel Glass Bracket (#36) is only for use with the 6" Hinge Panel Glass (#32).

**DO NOT USE** this bracket with the 24" hinge panel glass.



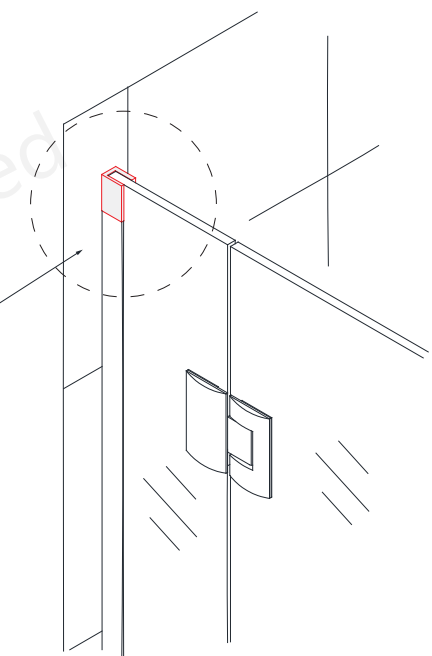
**For the 24" Hinge Panel Glass (#32) installation with the L-Bar™ (#35), begin with Step #10 on Page 15.**

**Note:** The L-Bar™ (#35) is not included with the 6" hinge panel installation.



24" Hinge Panel with left-hand L-Bar™ (#35)

Fig A



6" Hinge Panel with Hinge Panel Glass Bracket (#36)

Fig B

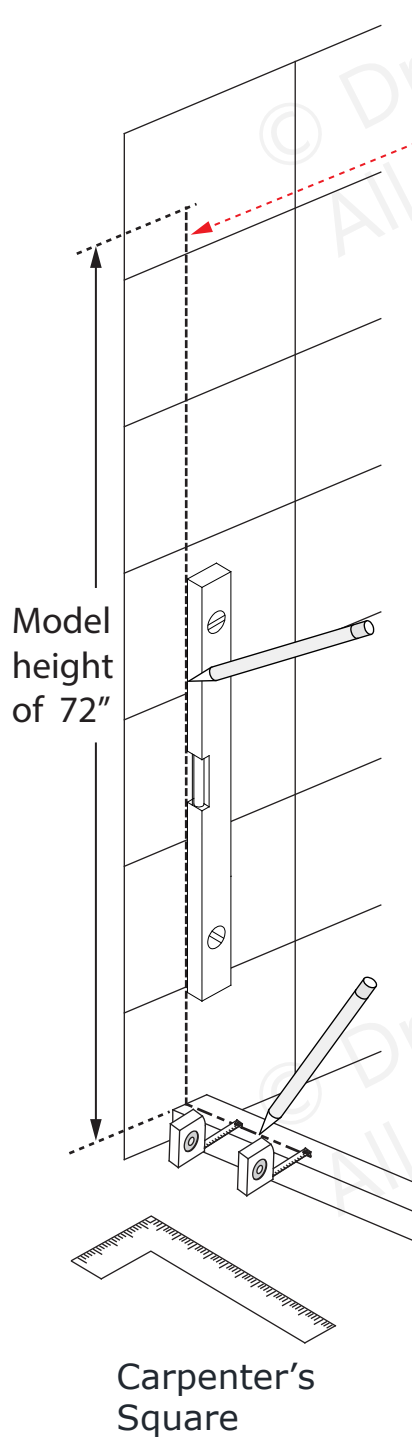
**NOTE:** The Hinge Panel Glass Bracket (#36) is only to be installed with the 6" Hinge Panel Glass (#32) for the UNIDOOR-X models.

**Maximum out-of-plumb adjustment for Hinge Panel Glass = 1/4"**

# Installation steps for 6" hinge panel with Hinge Panel Glass Bracket

**1.** Draw a line on the threshold and up the wall to represent the outside edge of the U-channels. Make sure the line is parallel to the front edge of the threshold. **(Fig 1)**

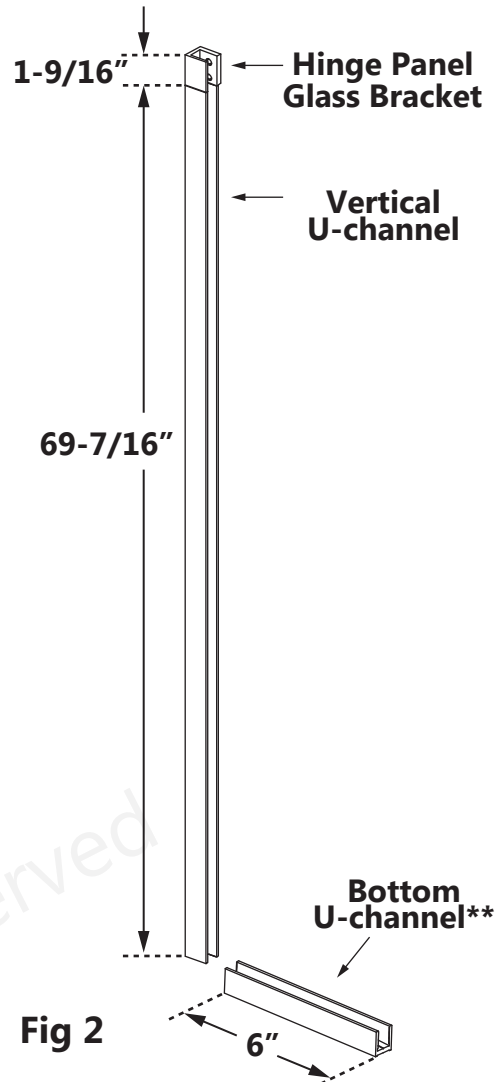
**2.** Use a hacksaw or a miter saw: Cut the Vertical U-channel to **69-7/16"**. Cut the Bottom U-channel\*\* to **6"**. **(Fig 2)**



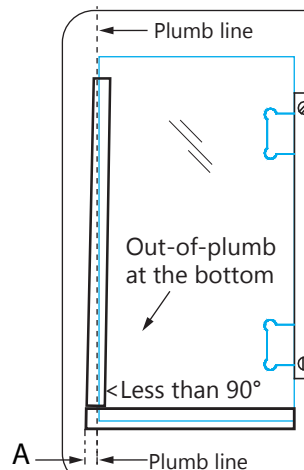
**Fig 1**



**NOTE:** Refer to the enclosure panel manual for the correct dimensions for enclosure installations

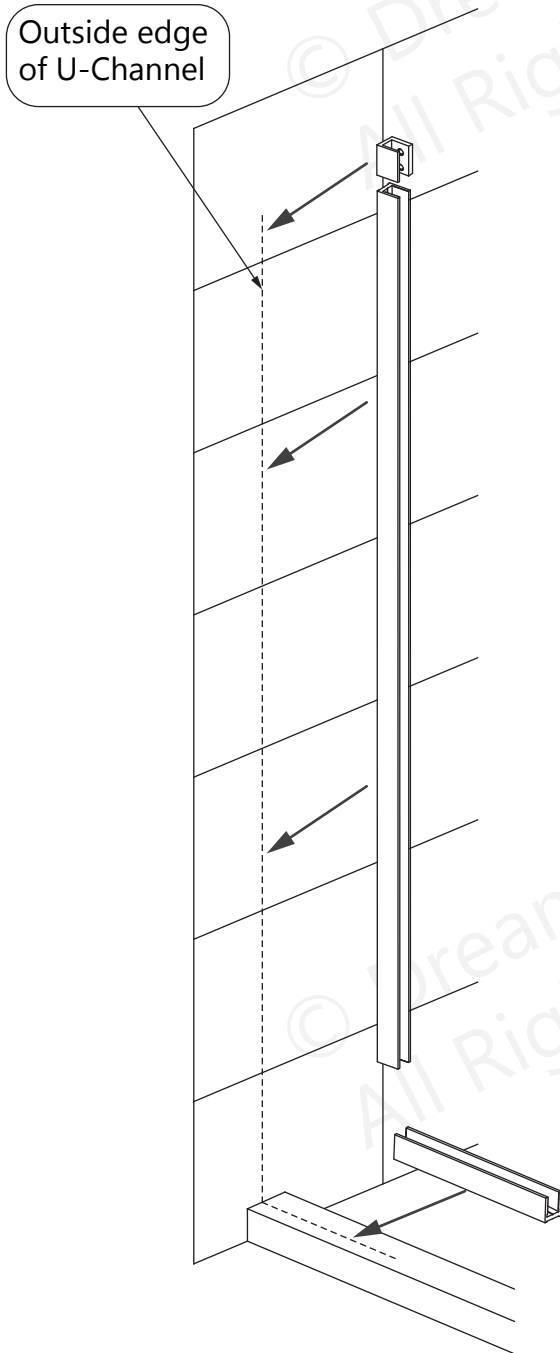


**Fig 2**



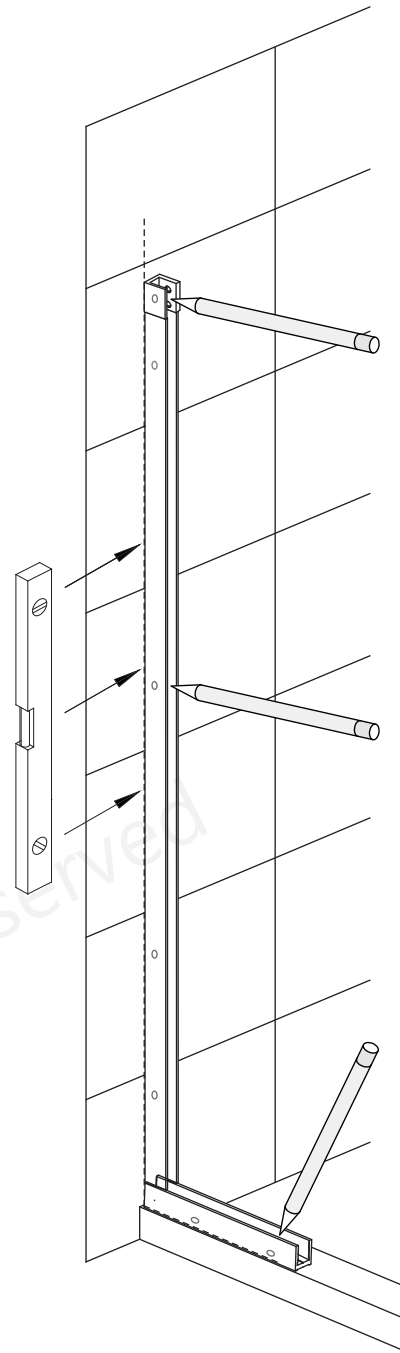
**\*\*If the wall is out-of-plumb at the bottom,** measure that dimension (A) and add it to the length of the U-channel (1/4" max): **Finished cut length= Glass Width + 3/16" + dimension A**

**3.** Position the U-channels and **Hinge Panel Glass Bracket (#36)** on the wall and threshold to mark the holes for drilling. **(Fig 3)**



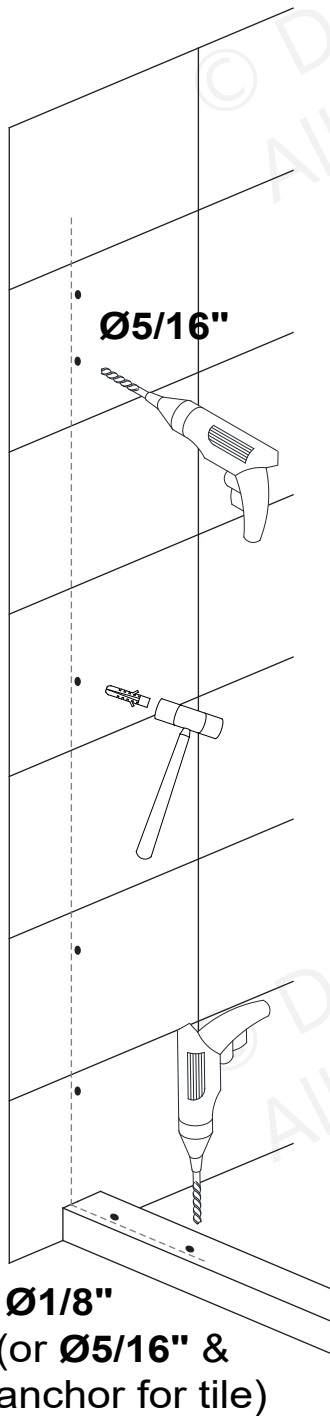
**Fig 3**

**4.** Mark the hole positions on the wall and threshold through the holes in the U-channels and the **Hinge Panel Glass Bracket (#36)**.  
(Note that the **Hinge Panel Glass Bracket (#36)** is wider than the u-channel and must be aligned correctly with the u-channel). **(Fig 4)**



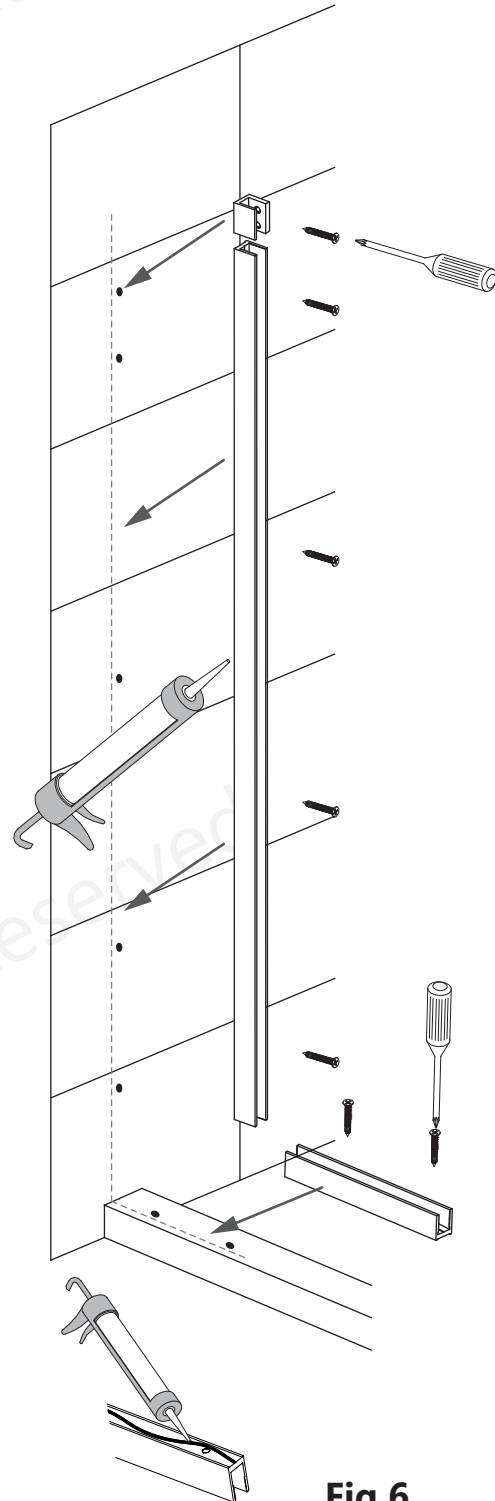
**Fig 4**

- 5.** Drill  $\text{\O}5/16''$  holes in the wall and install the wall anchors.
- Drill  $\text{\O}1/8''$  holes into an acrylic threshold OR
  - Drill  $\text{\O}5/16''$  holes and install anchors for installation into a tile threshold. **(Fig 5)**



**Fig 5**

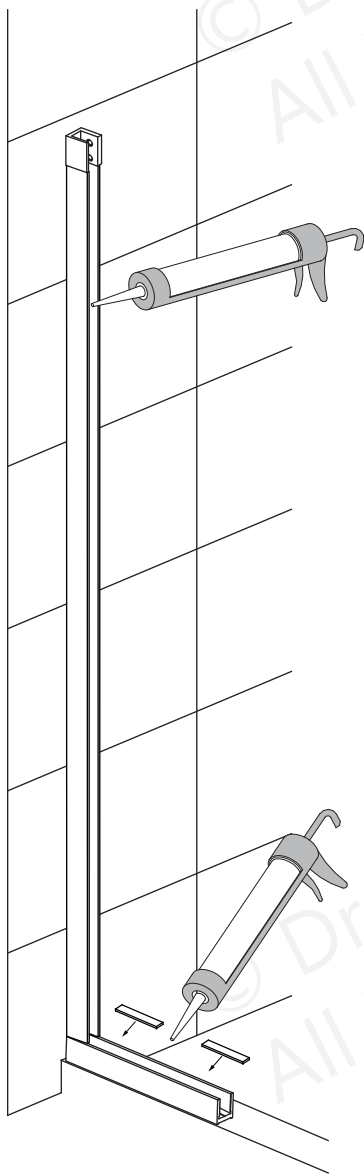
- 6.** Apply silicone to the back of the U-channels and the screw holes, then install the U-channels and **Hinge Panel Glass Bracket (#36)** using the **ST4.2 x 40mm Countersunk Screws (#23)**. **(Fig 6)**



**Fig 6**

**7.** Add the **PVC Glass Spacer (0.5mm) (#34)** into the bottom U-channel to protect the bottom corners of the glass.  
Apply a bead of silicone into the length of the U-channels. **(Fig 7)**

Quick-drying/fast curing silicone is recommended for the installation of hinge panel glass into u-channels.

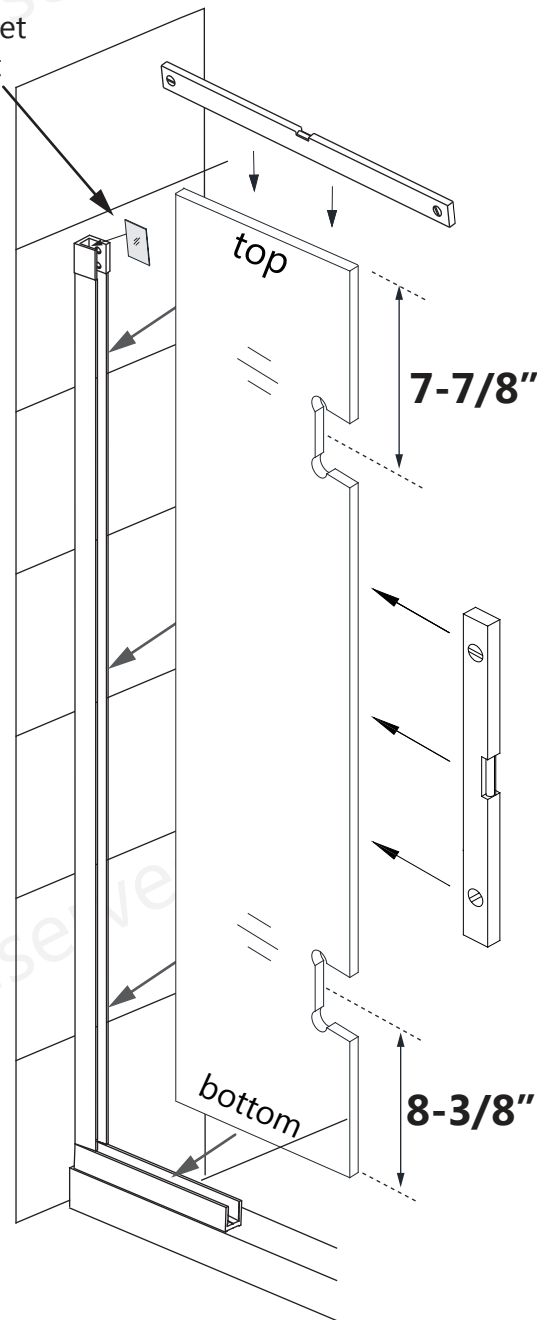


**Cut and install two 2" pcs of the PVC Glass Spacer (0.5mm) (#34) into the bottom U-channel to protect the bottom edge and corners of the glass**

**Fig 7**

**8.** Install the **Hinge Panel Glass (#32)** into the U-channel, checking for level and plumb. Install the gasket into the **Hinge Panel Glass Bracket (#36)**. **(Note: Make sure the top of the hinge panel glass is at the top).** **(Fig 8)**

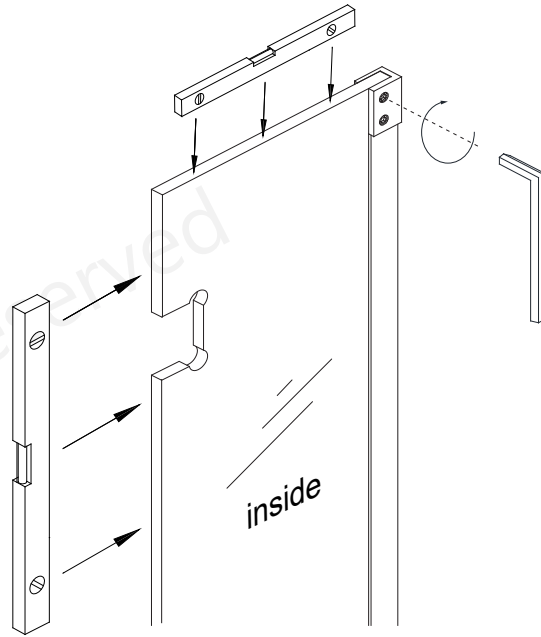
Hinge Panel Glass Bracket with gasket



**NOTE: It is required to allow the silicone to fully cure in the U-channels before installing the door glass.**

**Fig 8**

**9.** Tighten the rubber-tipped set screws on the **Hinge Panel Glass Bracket (#36)** to secure the hinge panel glass. **(Fig 9)**

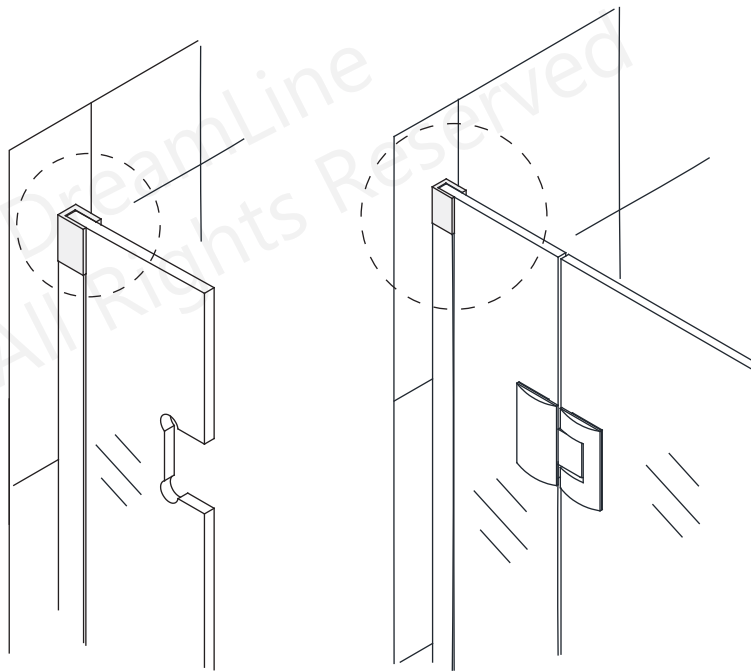


**Fig 9**



**NOTE:** Following the installation of the Hinge Panel Glass (#32), it is required to allow the silicone to fully cure before hanging the door glass. **(Fig 9)**

**Proceed to Step #19 on Page 22 to continue the installation of the Hinges, Door Glass and other components.**

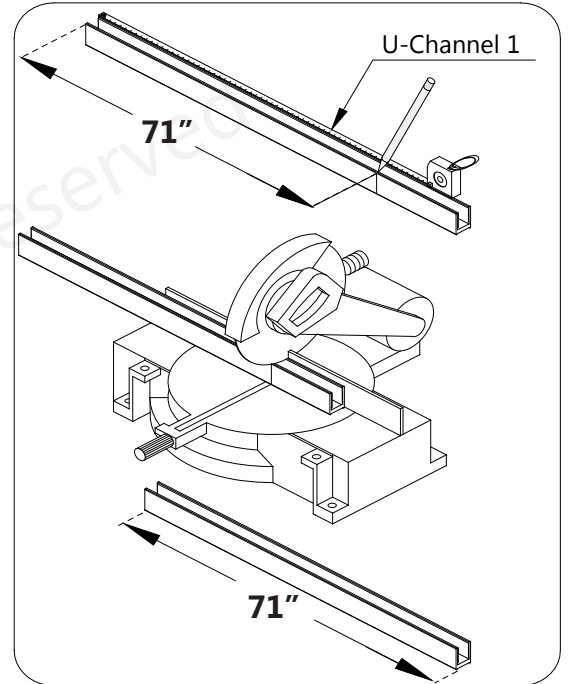


**Fig 9**



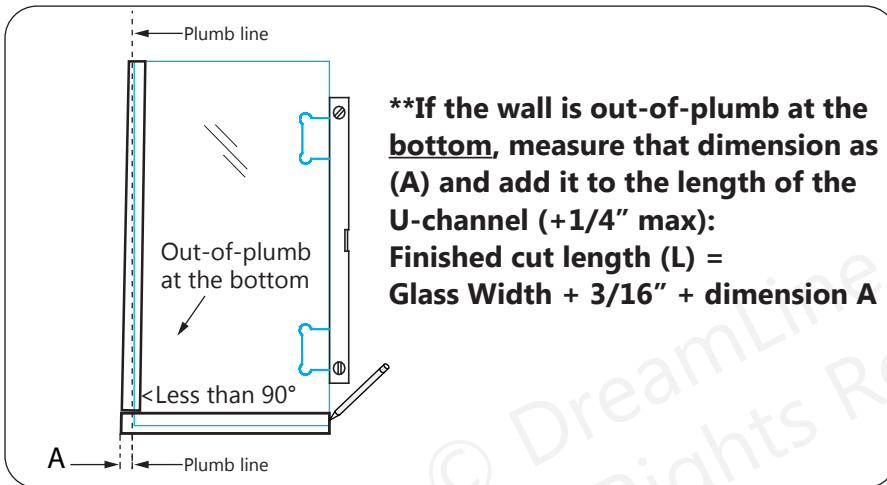
# Installation steps for 24" hinge panel glass and the L-Bar™

**10.** Cut the **Vertical U-channel 1 (#09)** to **71"**. (Fig 10)



**Fig 10**

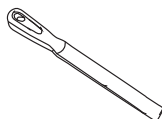
**11.** Cut the **Bottom U-channel 2 (#29)** to **24"** (see note\*\* below). (Fig 11)



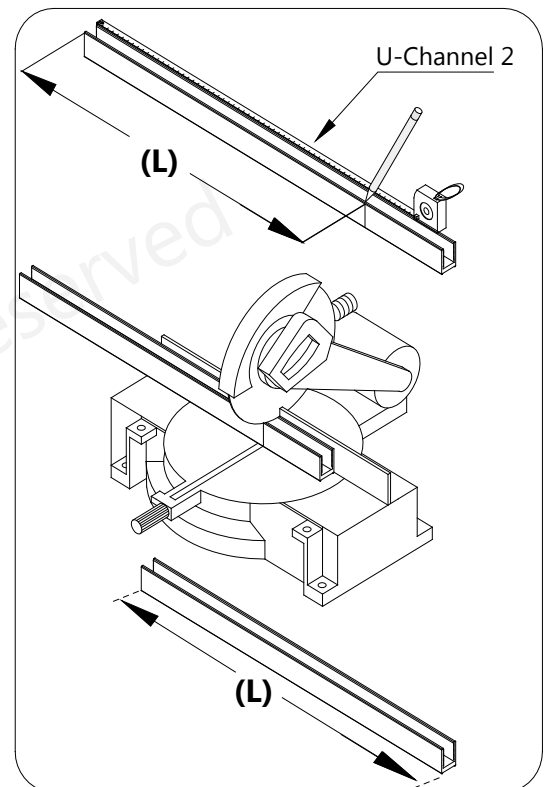
**NOTE** The Vertical U-channel for the Hinge Panel glass will accommodate **up to 1/4"** for out-of-plumb.

**Do not exceed this amount.**

**TIP:** Use a metal file to remove any burrs from the cut end of the U-channels before placing them onto the glass.



**Metal File**

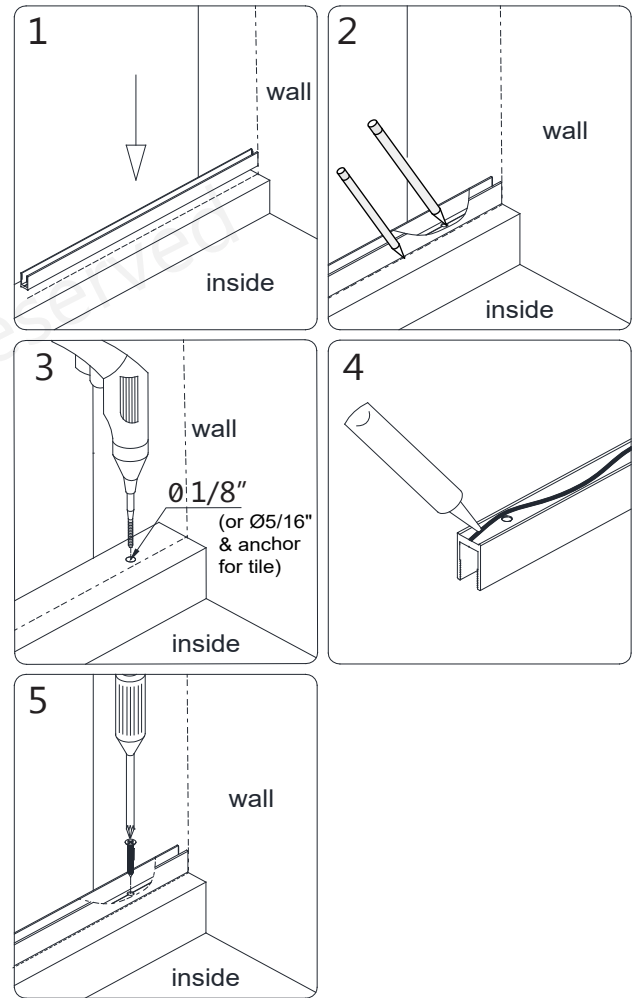


**Fig 11**

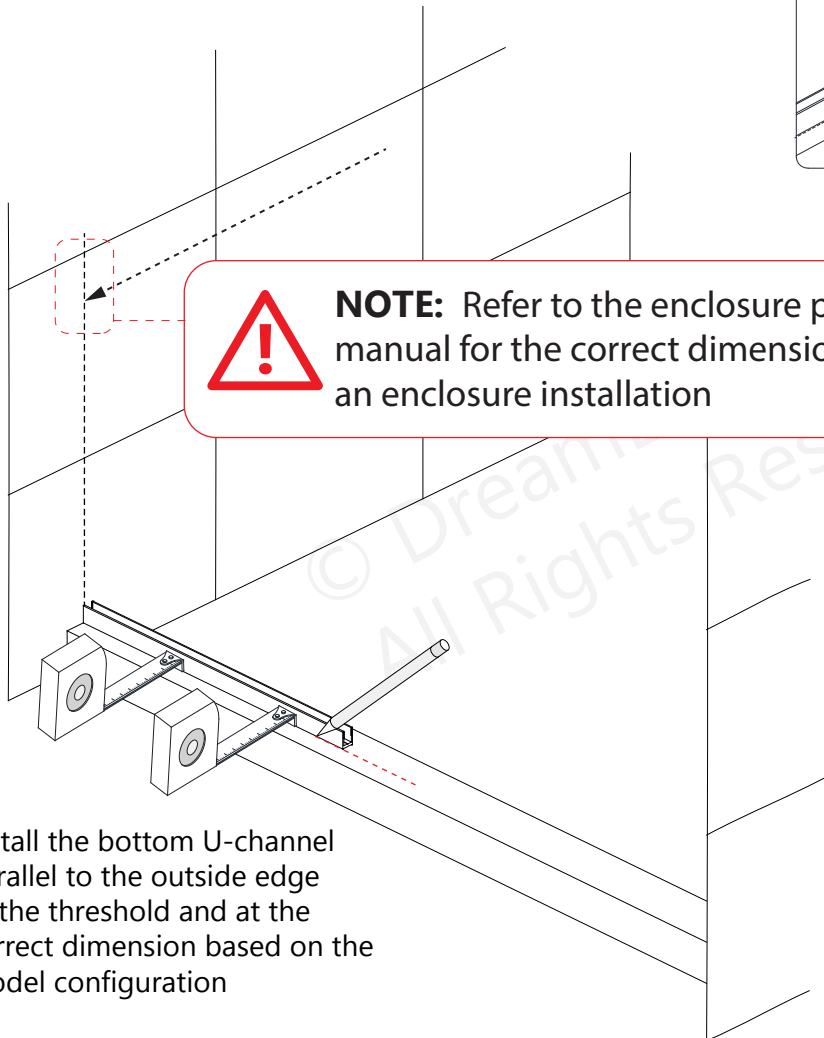
**12.** Position the **U-channel 2 (bottom profile) (#29)** onto the threshold, parallel to the outside edge. Mark the position of the U-channel and mark the position of the holes for drilling. You need to use at least 3 holes for the **U-channel 2 (bottom profile) (#29)**: one near each end and one near the center.

- Drill the holes into the threshold using an **Ø1/8"** drill bit. (Or use a **Ø5/16"** bit and anchor for tile)
- Apply a bead of silicone to the bottom of the **U-channel 2 (bottom profile) (#29)** and attach it to the threshold using the **ST4.2 x 40mm Countersunk Screws (#23)**. (Fig 12)

**!** **NOTE:** If installing this hinge panel and door for one of the Unidoor-X enclosure configurations, it is important that the hinge panel is installed at the correct dimension for the enclosure model size. Refer to the panel installation manual packaged with the panel glass for details and dimensions.



**Fig 12**

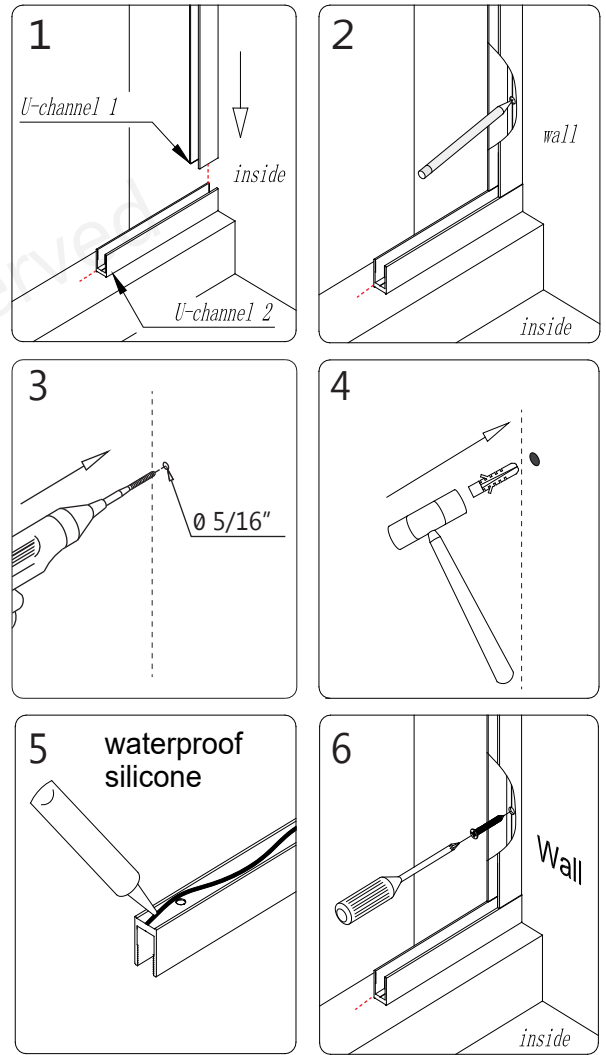
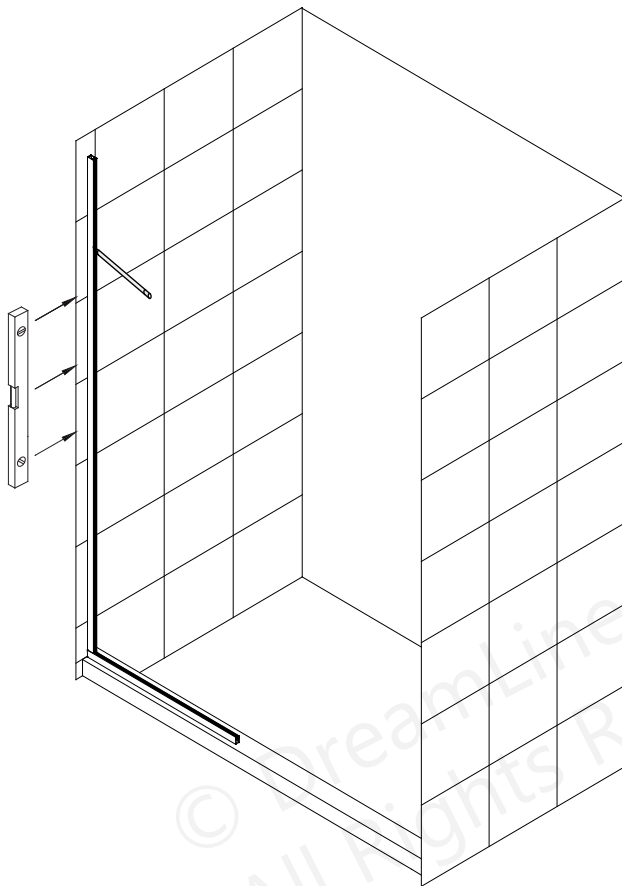


**!** **NOTE:** Refer to the enclosure panel manual for the correct dimension for an enclosure installation

Install the bottom U-channel parallel to the outside edge of the threshold and at the correct dimension based on the model configuration

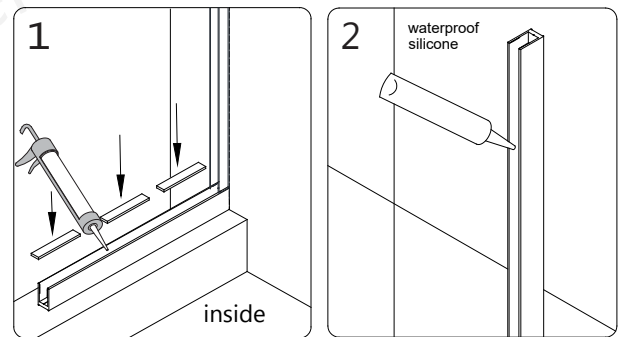
**13.** Next, position the vertical **U-channel 1 (#09) (wall profile)** on top of the installed bottom U-channel. Use a level to plumb the **U-channel 1 (#09) (wall profile)** and mark the positions of the holes for drilling. You need to use at least four holes for the **U-channel 1 (#09) (wall profile)**.

- Drill the holes into the wall using a **Ø5/16"** drill bit.
- Insert the **Ø5/16" Wall Anchors (#13)** into the holes.
- Apply silicone to the back of the **U-channel 1 (#09) (wall profile)** and attach it to the wall using the **ST4.2 x 40mm Countersunk screws (#23)**. **(Fig 13)**



**Fig 13**

**14.** Add several 2" pieces of the **PVC Glass Spacer (0.5mm) (#34)** into the **Bottom U-channel** to protect the bottom edge and corners of the glass. Apply a good quality mildew-resistant silicone into both U-channels. **(Fig 14)**



**Fig 14**

Quick-drying/fast curing silicone is recommended for the installation of hinge panel glass into u-channels.

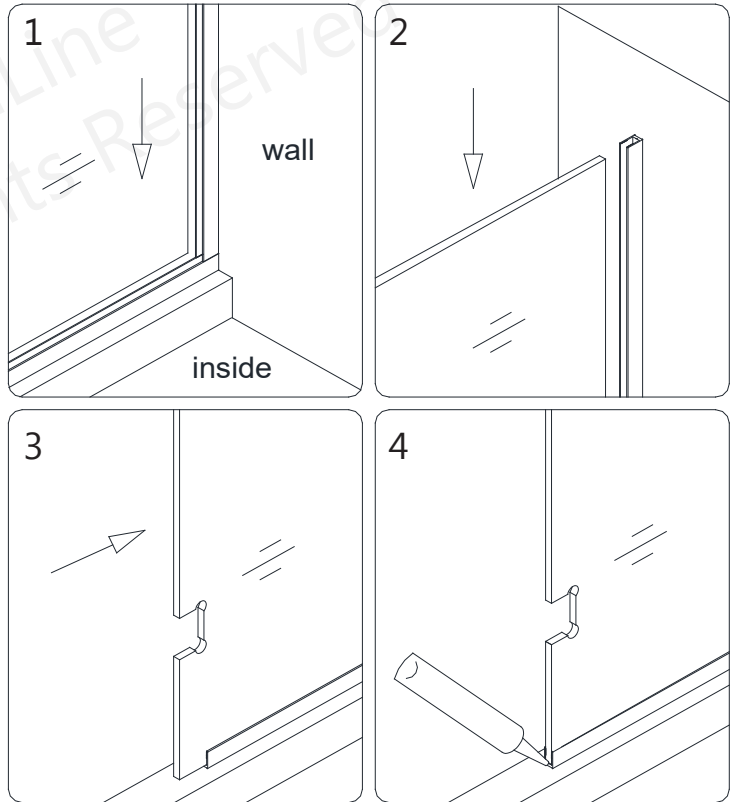


**NOTE:** There is a top and a bottom to the **Hinge Panel Glass (#32)**:

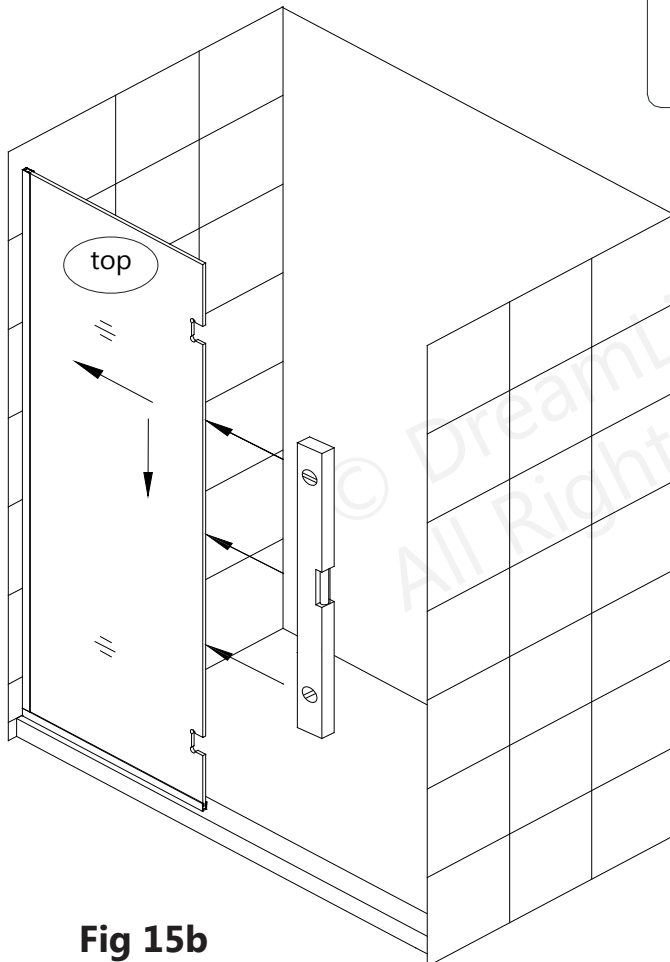
The **top hinge cutout** is 7-7/8" to center, the **bottom hinge cutout** is 8-3/8" to center.

The hinge panel glass must be installed correctly so the door glass can be installed correctly.

**15.** Install the **Hinge Panel Glass (#32)** into the **U-channel 2 (#29) (bottom profile)** and the **U-channel 1 (#09) (wall profile)**. Apply a dab of silicone to the exposed end of the bottom u-channel. (**Fig 15a and 15b**)



**Fig 15a**



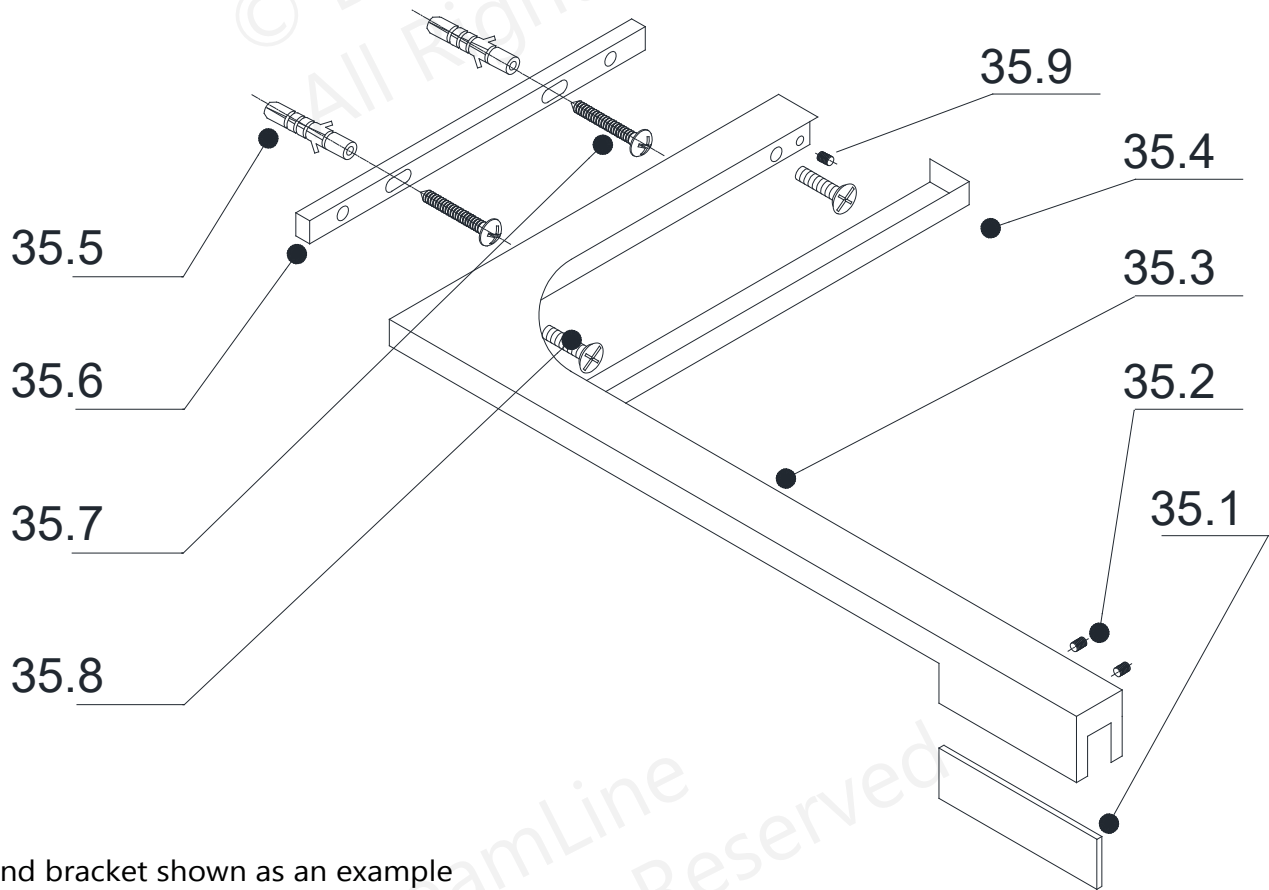
**Fig 15b**



**NOTE:** It is required to allow the silicone to fully cure in the U-channels before installing the door glass.

# Installation steps for 24" hinge panel glass with L-Bar™

## L- Bar™ Assembly (#35) Parts List\*\*



Left-hand bracket shown as an example

35.1	PVC spacer	1 pc	35.6	Wall plate	1 pc
35.2	Rubber tip set screw	2 pcs	35.7	Truss Head Screw ST 4.2 x 40	2 pcs
35.3	L-Bar™ (left hand shown)	1 pc	35.8	Flat head Screw M5 x 14	2 pcs
35.4	Decorative cover	1 pc	35.9	Wall Plate adjustment set screw	2 pcs
35.5	Ø5/16" Wall anchor	6 pcs			

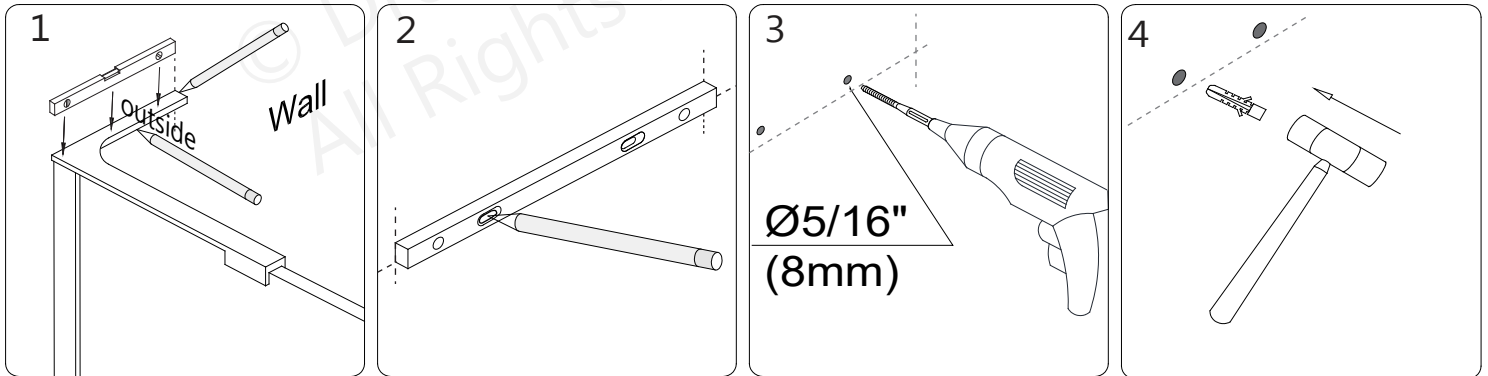
**\*\*The L- Bar™ Support Bracket Assembly is not included with the 6" hinge panel**

Left-hand bracket installation shown as an example

**16.** Position the **L-Bar™ Assembly (#35)** onto the **Hinge Panel Glass (#32)** as shown and mark its position on the wall.

Remove the **Wall Plate (#35.6)** from the L-Bar™. Hold the **Wall Plate (#35.6)** to the marks on the wall. Check for level and mark the holes for drilling through the wider, untapped holes. **(Fig 16.2)**

Drill two **Ø5/16" (8mm)** holes and insert the **Ø5/16" Wall anchors (#35.5)**. **(Fig 16)**



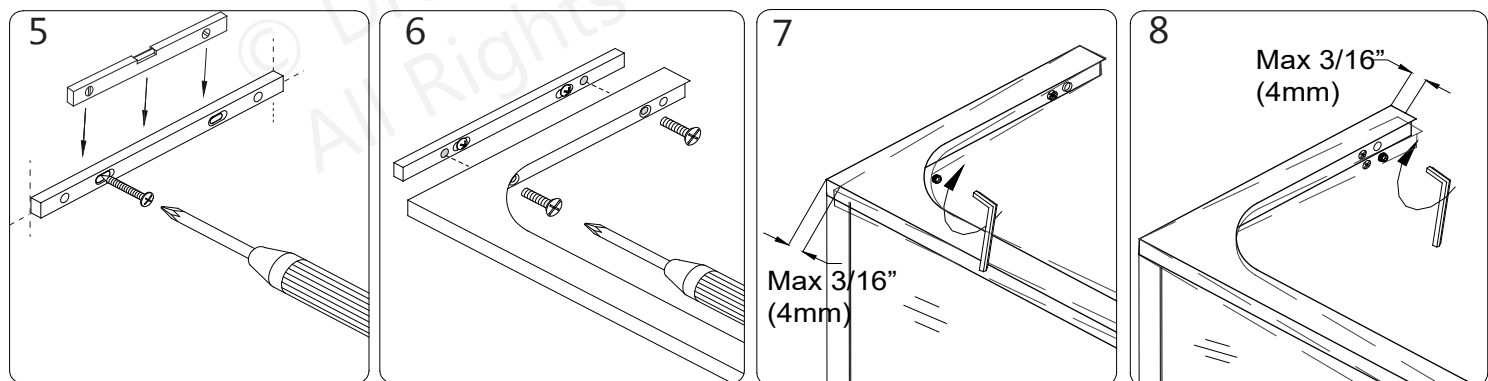
Leave space for the decorative cover when marking the position of the L-Bar

**Fig 16**

**17.** Attach the **Wall Plate (#35.6)** to the wall using the **ST4.2 x 40 (#35.7) Truss Head Screws**.

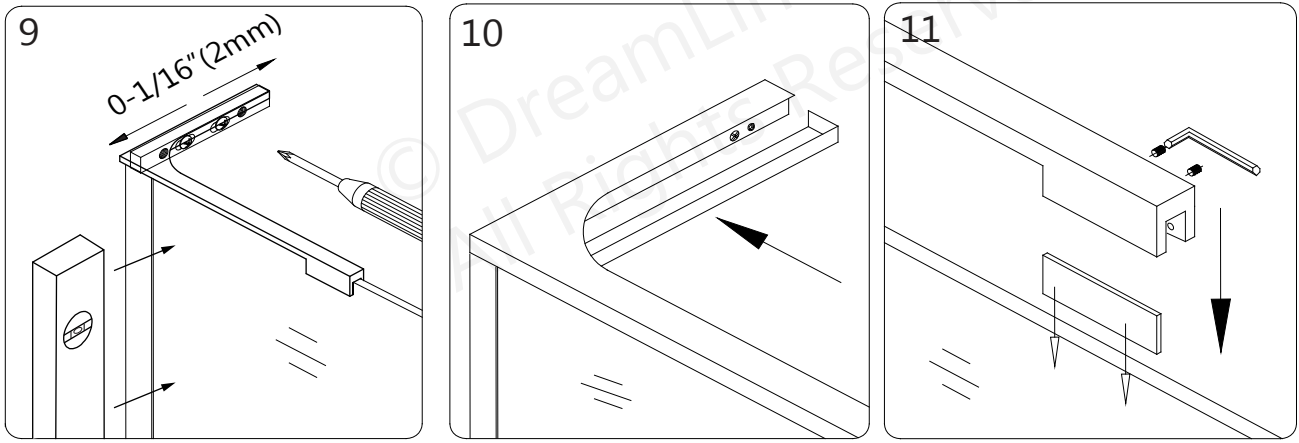
Re-attach the **L-Bar™ (#35.3)** to the **Wall Plate (#35.6)** using the **Flat Head Screw M5x14 (#35.8)** and adjust the angle if necessary by using the **Wall Plate Adjustment Set Screws (#35.9)** **(Fig 17.7 and 17.8)**

**Note** that the **Flat Head Screws M5x14 (#35.8)** must be loosened to allow adjustment with the set screws and then retightened after adjustment. **(Fig 17)**

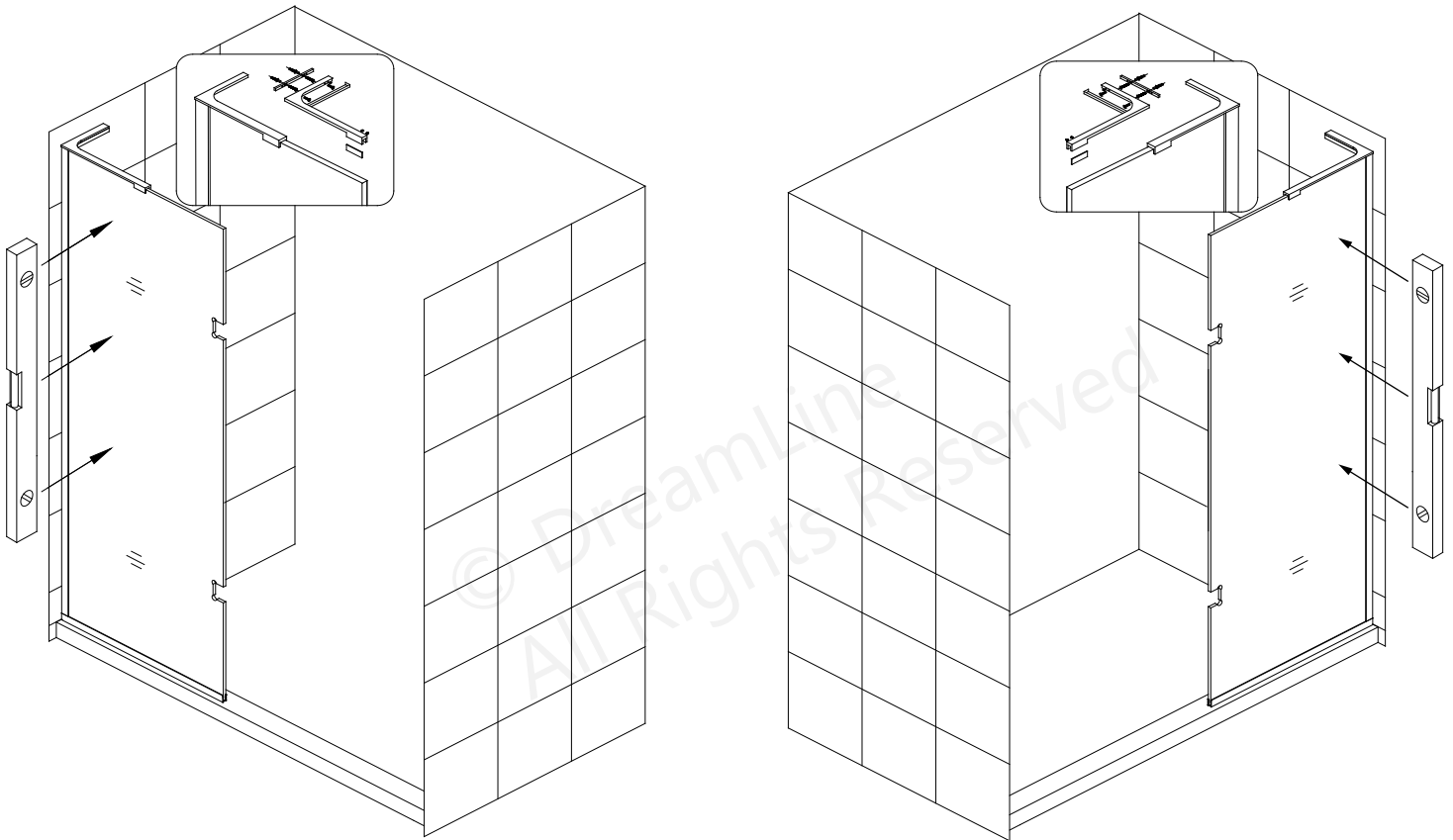


**Fig 17**

**18.** Adjust the **Panel Glass** to plumb and tighten the screws. Attach the **Decorative Cover (#35.4)**. Secure the **L-Bar™ (#35.3)** to the top of the **Panel Glass** using the clear gasket and rubber-tipped set screws. **Firmly tighten but Do Not overtighten the set screws.** (Fig 18a and Fig 18b)



**Fig 18a**



Left-hand L-Bar™ installation

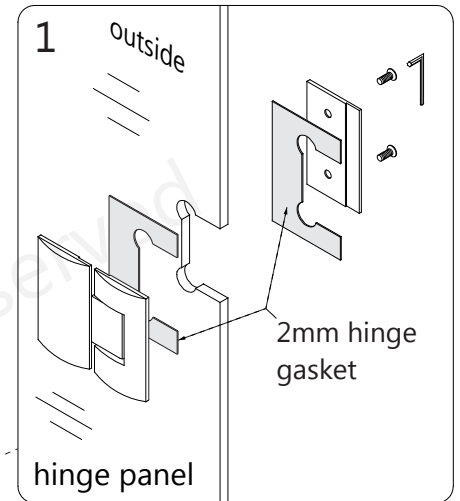
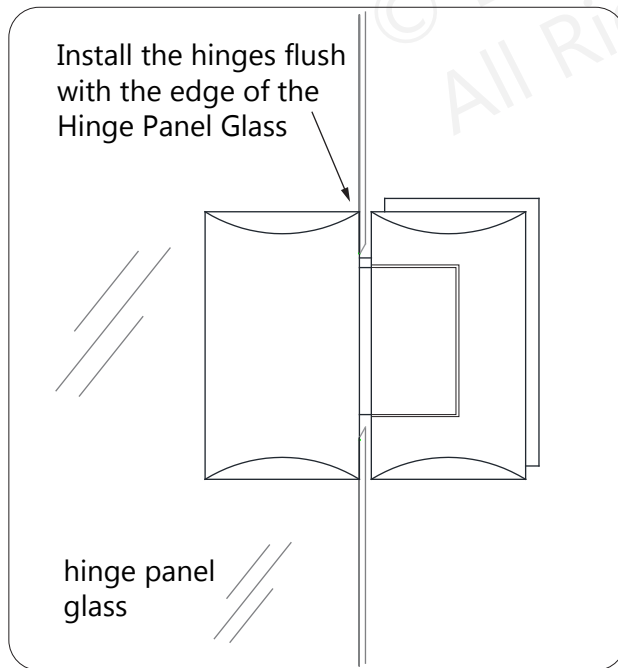
**Fig 18b**

Right-hand L-Bar™ installation

**NOTE: The Left-hand L-Bar™ installation is shown. Follow the same steps for installing the Right-hand L-Bar™.**

**19.** Attach the **Glass-to-Glass Hinges (#05)** to the **Hinge Panel Glass (#32)** with the bolts facing inside the shower. Install the hinges onto the **Hinge Panel Glass (#32)** flush with the edge of the glass.

Use at least one 2mm hinge gasket per side. Tighten the hinge bolts evenly and snap in the decorative bolt caps. **(Fig 19)**



**Fig 19**



**TIP:** Clean the hinge gaskets and the glass around the hinge notches with an ammonia-free glass cleaner before installing the hinges onto the glass.

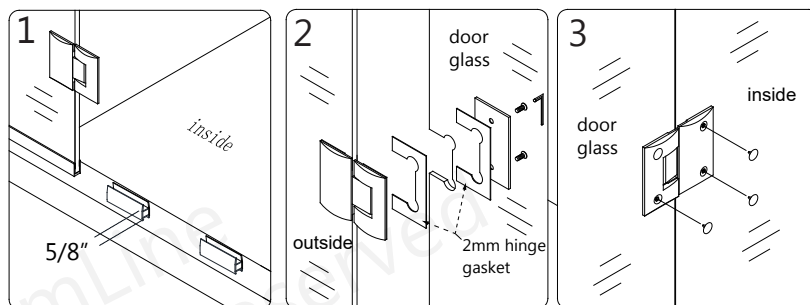
**NOTE:** These adjustable hinges are factory set to overclose. See **Page 27** for instructions regarding the adjustment features for these hinges.



**NOTE:** **Do Not** attach the handle to the door glass until instructed. **Do Not** attempt to lift the door glass with the handle as this may result in damage to the glass and/or serious personal injury. Use a professional grade glass suction cup and an assistant when handling heavy glass.



**20.** The **Door Glass (#01)** ships with **5/8" spacers**. These **5/8" spacers** will create the proper spacing at the bottom of the door glass and will ensure the installed door height finishes at 72". (but always confirm with a measurement)

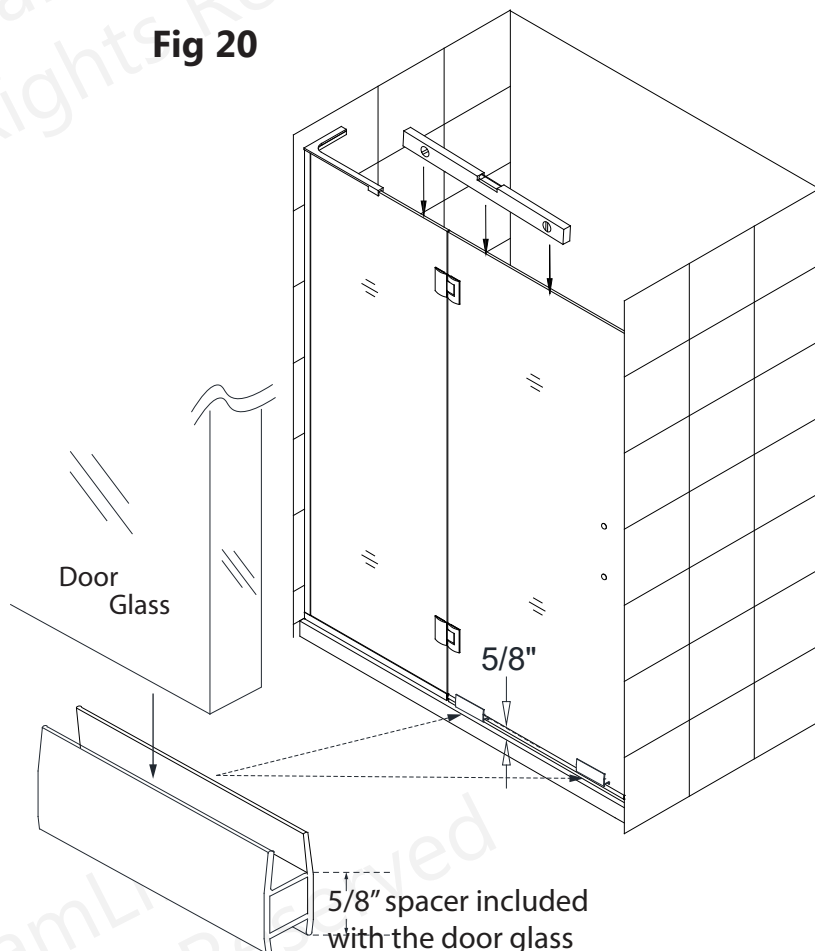


Set the **Door Glass (#01)** with the **5/8" spacers** attached onto the threshold, inline with the **Hinge Panel Glass (#32)**.

Level up the **Door Glass (#01)** with the **Hinge Panel Glass (#32)** and fasten the hinges onto the **Door Glass (#01)** using one 2mm hinge gasket per side.

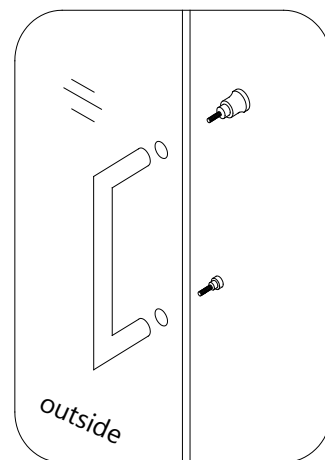
Make sure the top edges of the **Door Glass (#01)** and **Hinge Panel Glass (#32)** are aligned and that there is an even reveal between the door and hinge panel glass. (**Fig 20**)

**Fig 20**



**\*\* NOTE:** It is strongly recommended that the 5/8" shims be left beneath the door glass until the silicone securing the hinge panel glass has fully cured.

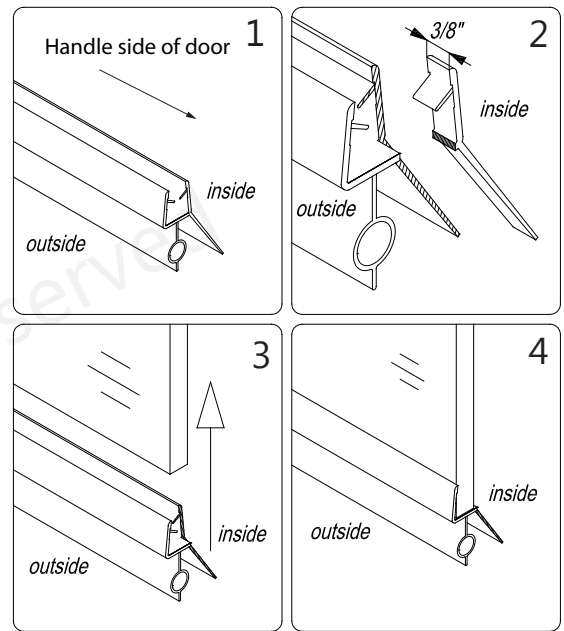
**21.** Attach the **Handle (#02)** onto the **Glass door (#01)**. (**Fig 21**)



**Fig 21**

**22.** Measure the bottom of the **Door Glass (#01)** from side to side to determine the actual width of the door. Cut the **Bottom Sweep Vinyl (#07)** to the size of your measurement and notch  $\frac{3}{8}$ " of the inner side of the **Bottom Sweep Vinyl (#07)** as shown in **Fig 22.2**. Press the **Bottom Sweep Vinyl (#07)** onto the bottom edge of the **Glass Door (#01)**.

**NOTE:** Make sure the **Bottom Sweep Vinyl (#07)** is flush to the vertical edge of the handle side of the **Door Glass (#01)**. (**Fig 22**)

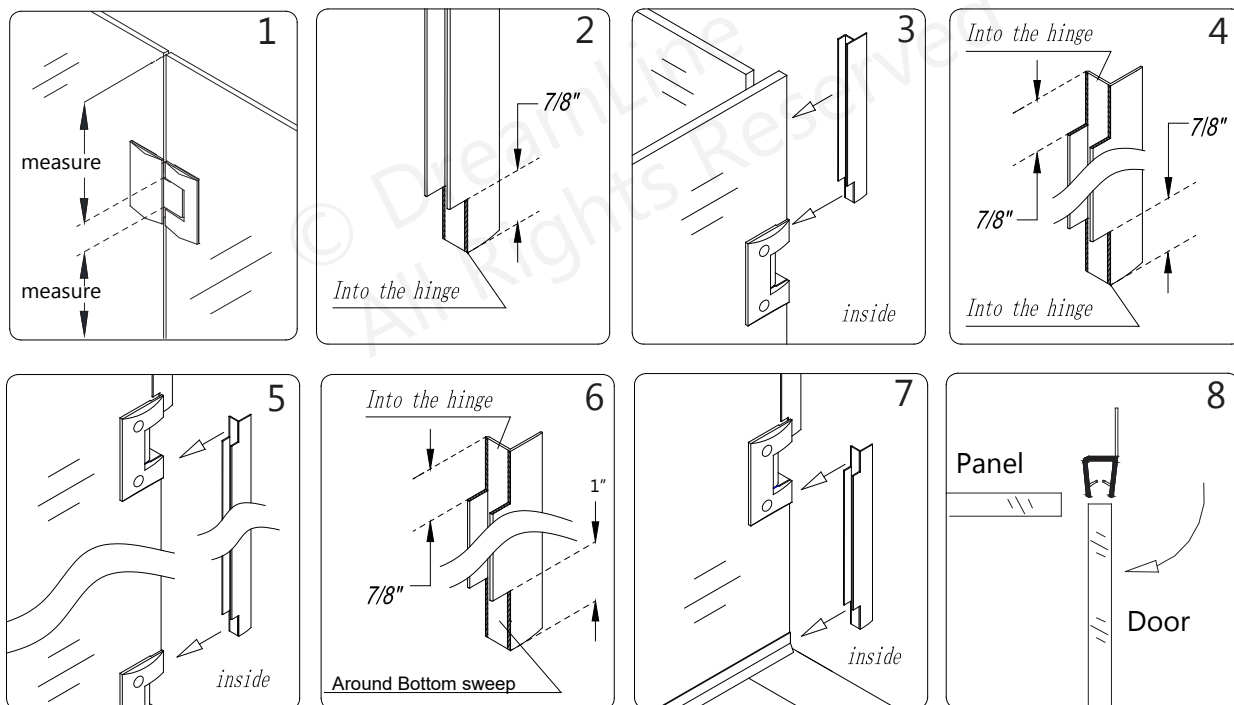


**Fig 22**

**23.** To install the **Hinge-Side Vinyl Seal (#33)**, take three measurements :

- from the top edge of the **Door Glass (#01)** to the top of the center portion of the top **Hinge (#06)** (see **Fig 23.1** for an example to use for taking all three measurements)
- from the bottom of the center portion of the top Hinge to the top of the center portion of the bottom **Hinge (#05)**
- from the bottom of the center portion of the bottom **Hinge (#05)** to the threshold

Cut the **Hinge-Side Vinyl Seal (#33)** according to these measurements. Notch the cut strips to slide them into the hinges and around the installed **Bottom Sweep Vinyl (#07)** to cover the space between both glass panels. Open the door and press the cut strips onto the vertical edge of the **Door Glass (#01)** so they will overlap the panel glass. (**Fig 23**)



**Fig 23**

**For Style M only:** If your model does not include additional panel glass, proceed to the next step to install the **L-Strike Vinyl w/VHB tape (#08)** to the wall.



**NOTE:** Before installing the L-strike vinyl, refer to the adjustable hinge instructions on Page 27.

Setting the hinges to overclose must be done **BEFORE** the L-Strike Vinyl w/VHB tape is installed.

**ATTENTION:**

Prior to the next step, please be sure the section of the wall where you need to attach the **L-Strike Vinyl w/VHB tape (#08)** is clean, dry, and free from soap, oil or construction debris.

**24.** With the door closed, place the **L-Strike Vinyl w/VHB tape (#08)** on the door edge and mark its location on the wall.

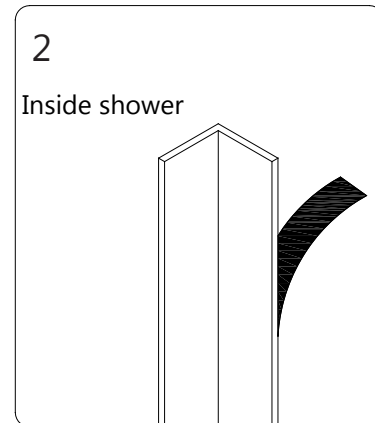
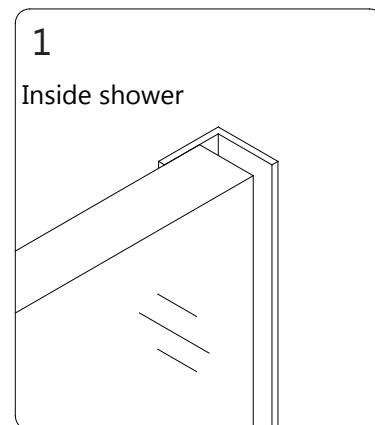
Please note that the corner of the **L-Strike Vinyl w/VHB tape (#08)** should face into the shower. (Fig 24a.1 and 24a.2)

With the door open, remove the tape backing from the adhesive strip and firmly press the **L-Strike Vinyl w/VHB tape (#08)** to the wall. Allow time for the adhesive to set before allowing the door to close against the **L-Strike Vinyl w/VHB tape (#08)**. (Fig 24a)

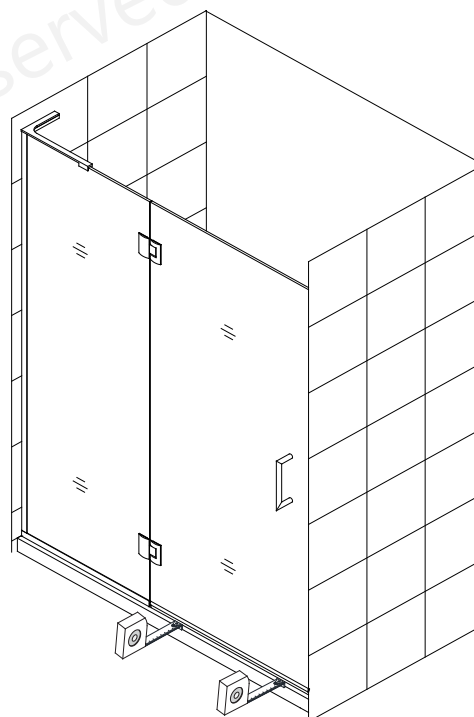
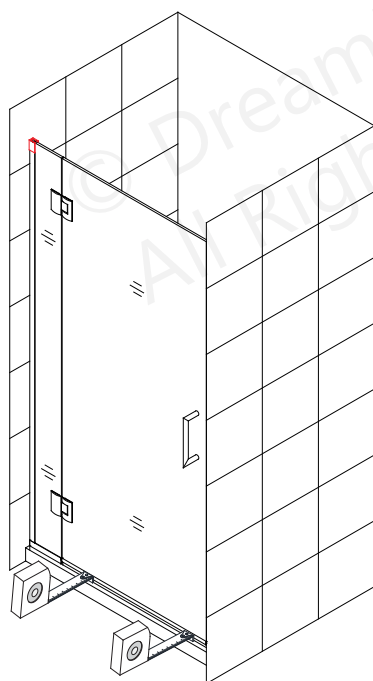
**NOTE:**

Hinges set to overclose require the use of the **L-Strike Vinyl w/VHB tape (#08)** or other strike vinyl that ships with the panel glass.

The above procedure for installing the **L-Strike Vinyl w/VHB tape (#08)** is for the **Unidoor Style M** shower door only. When installing another model style, please refer to the separate panel glass installation manual located in the panel glass packaging for model specific instructions.



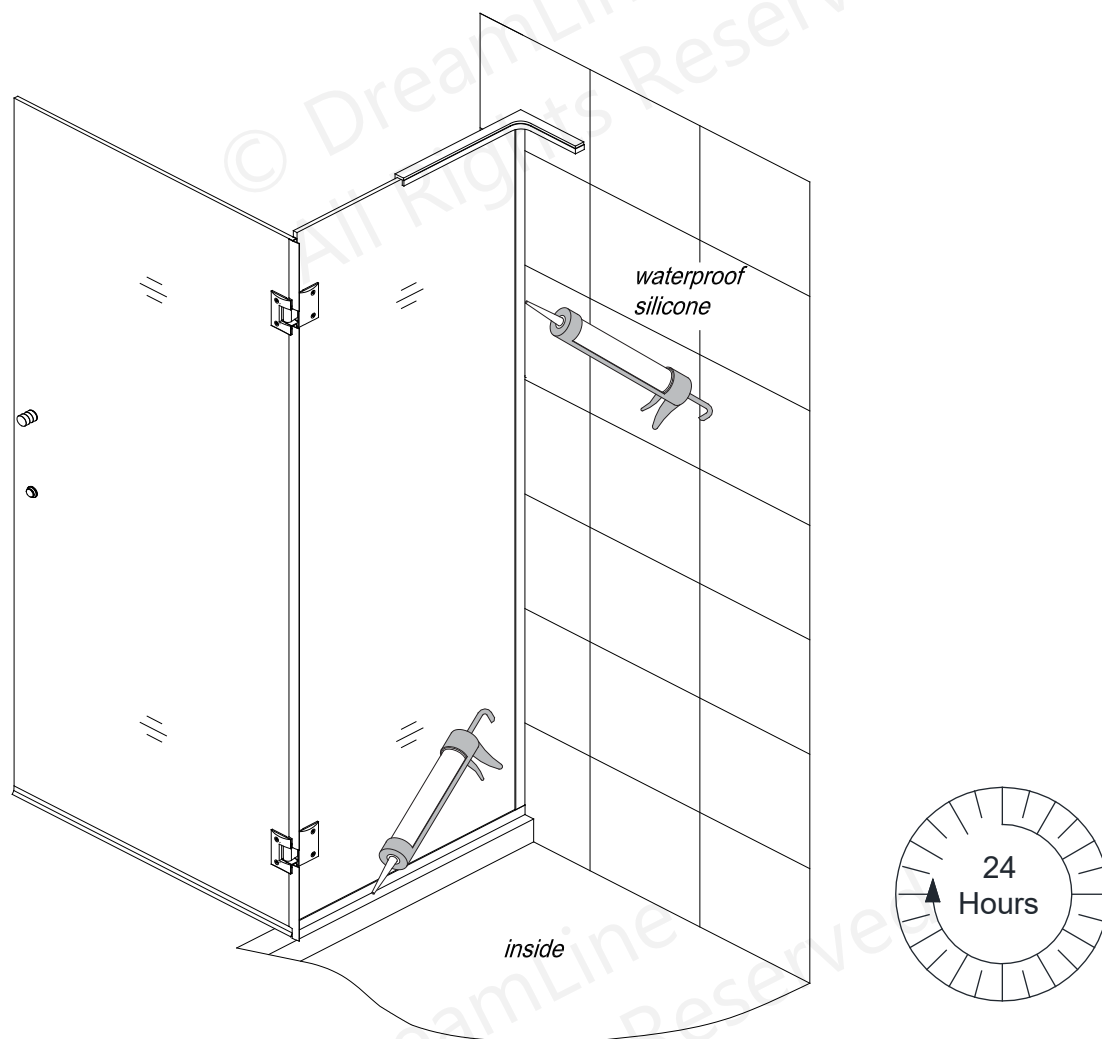
**Fig 24a**



**Fig 24b**

**25.** Apply a good quality mildew-resistant/waterproof silicone along the connection of both U-Channels to the wall and threshold on the inside of the shower.

Remove the bottom section of the **Hinge-Side Vinyl Seal (#33)** and let the silicone cure before closing the door to avoid contact with the **Hinge-Side Vinyl Seal (#33)**. **(Fig 25)**



**Fig 25**



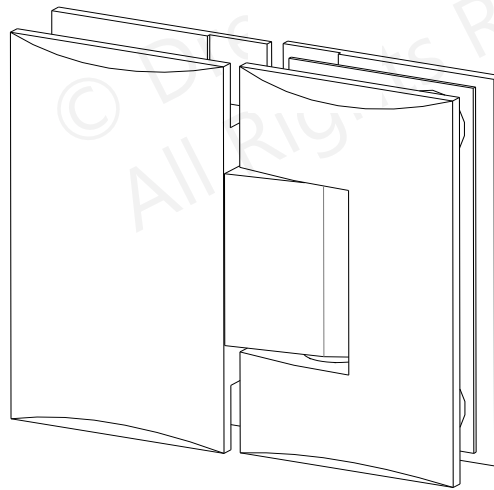
**26. Allow 24 hours for the silicone to fully cure before using the shower.**

**NOTE:** The surfaces need to be clean and free of debris before applying silicone.



**NOTE:** If your model includes additional panel glass, locate the manual for the panel glass installation in the panel glass packaging. (See page 4 for details)

## HG-PRS20A Adjustable Hinge Manual



### Installation & Adjustment

1. Make sure the door glass is plumb and the edge of the hinge is installed flush with the glass edge. Tighten the faceplate screws. (Figure 1)

2. The hinges are set to overclose at 172° degrees. You can change this angle by using the adjustment screws on the hinge plate. (Figure 2)

3. Use the supplied Allen Key to loosen the adjustment screws on the hinge plate, adjust the door to the desired angle then tighten the adjustment screws. (Figure 3)

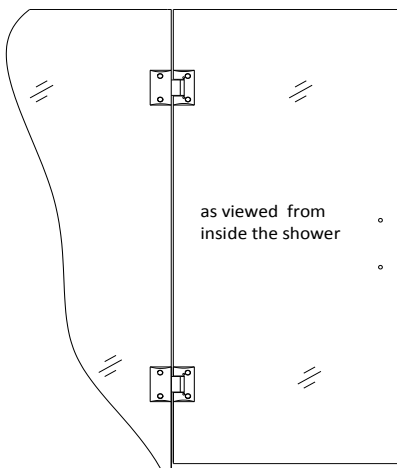


Figure 1

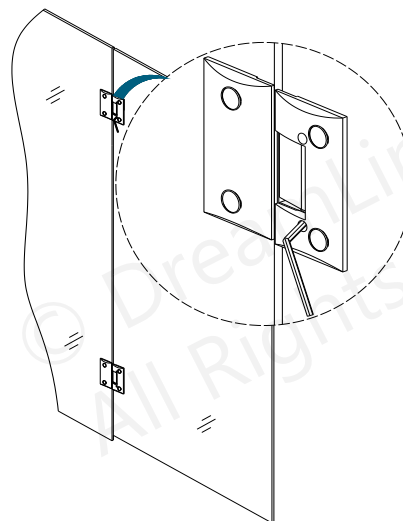


Figure 2

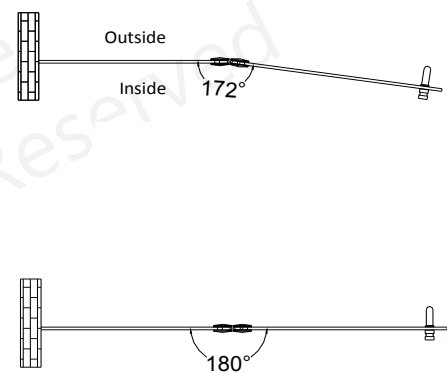


Figure 3

### Safe Use & Daily Maintenance

- The overclose setting requires strike vinyl for the door to close against and seal.
- Use a soft cloth to clean the hinge surfaces. Do not use abrasives or acidic liquids as this will damage the finish.
- Be careful not to scratch the finished surfaces of the hinge during installation.



**NOTE: Setting the hinges to overclose must be done BEFORE the L-Strike Vinyl w/VHB tape is installed.**

## Product Maintenance

**BASES and BACKWALLS:** To ensure long-lasting life for your acrylic back walls: wipe them off after each use with a soft cloth. To clean the acrylic back walls use non-abrasive sprays or cream based cleaners. Avoid the use of aerosol spray cleaners. Never use abrasive cleansers, metal brushes or scrapers that could scratch or dull the surface.

**GLASS:** To ensure long-lasting life for your glass shower products: wipe them off after each use with a soft cloth. Rinse and wipe off the glass using either a soft cloth or a squeegee to prevent soap buildup and water spots (Hard water can etch the surface of the glass over time if left to dry). To prevent scratching the surface: never use abrasive cleaners or cleaning products that contain scouring agents. Never use bristle brushes or abrasive sponges that may scratch the surface.

**HARDWARE:** To ensure a long-lasting finish: wipe off the metal parts after each use with a soft cloth. Do not use abrasive cleaners or cleaning products containing ammonia, bleach or acid. If accidentally used, rinse the surface as soon as possible to prevent damage to the finish (peeling or corrosion). After cleaning the polished finishes, rinse thoroughly and wipe dry with soft cloth. Clean stainless steel surfaces at least once a week. When applying stainless steel cleaner or polish to stainless steel hardware, work with (not across) the grain. Never use an abrasive sponge or cloth, steel wool or wired brush as these may permanently scratch the surfaces.

**NOTE: To maximize the life of your door, it is important to regularly inspect the glass and other hardware for misalignment, proper attachment, and/or damage. Contact DreamLine with any questions or concerns.**

© DreamLine  
All Rights Reserved



© DreamLine  
All Rights Reserved

TEL: 866-731-2244  
FAX: 866-857-3638  
DREAMLINE.COM



For more information on DreamLine® Shower Doors and Enclosures please visit [DreamLine.com](https://www.DreamLine.com)