



Product Features:

- Modern design faucets
- Water saving control
- Lower power consumption
- Intelligent sensor control
- Stable & Reliable

Sensor Faucet Manual

Models: HF1H21-ORB (Sylvan), HF1H21-CHR (Trinidad)

HF1H22-CHR (Heath), HF1H22-BN (Lawa)

HF1H23-CHR (Nelson), HF1H23-BN (Peace), (HF1H23-ORB) Snake



HF1H21



HF1H22



HF1H23

For easy installation of your Dyconn Faucet please do the following:

- Thoroughly read all instructions before installing the enclosed faucet.
- Read and understand all warnings, care and maintenance information

Product Description & Information

OPERATION AND MAINTENANCE.

CAREFULLY READ THIS INSTRUCTION MANUAL BEFORE INSTALLING AND USING

PLEASE KEEP THIS INSTRUCTION MANUAL FOR FUTURE REFERENCE FOR PRODUCT

Do not place or install the product directly under the sun or long exposure of sunlight

Do not place any catoptric items such as mirror to the opposite wall of the inductive window.

Do not use contaminated water with the device.

Do not soak the device in water, this will cause permanent damage.

Product Description & Information

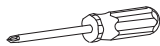
Features:

- Water saving control - sensor responds to object approach in 0.5s and stops once object leave sensor range.
- Sanitation - automatic sensor keeps hand free of touching faucet
- Intelligent sensor - Faucet will automatically stop if water flows over 1 minute. Sensor resets in 10s. Faucet stops working if water supply or power is out to minimize water leakage.
- Low power consumption - 4 AA batteries can be consumed for 2 years 300 cycles a day.
- Stable & Reliable - all faucets are manufactured under harsh moisture and humidity testing.

Specification:

- Power Voltage: AC110 (60Hz) and Dc (4 x AA batteries)
- Detection range: 12-18cm
- Water pressure: 0.05 - 0.6 MPa
- Water Temperature: 0 - 80°C

Tools you will need:



Phillips Screwdriver



Plumber's putty



Pipe tape



Pliers

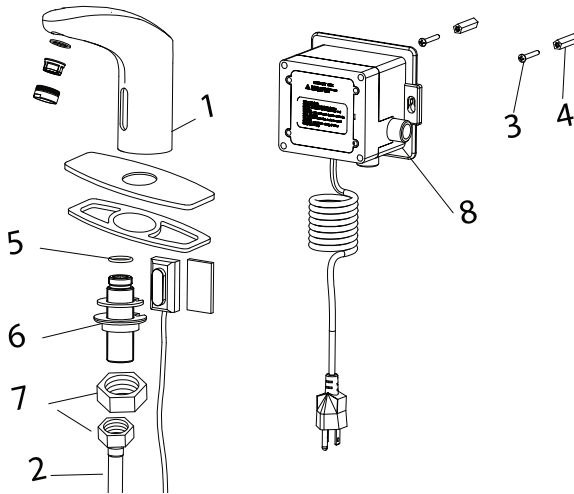


Adjustable Wrench

Product Diagram and Parts

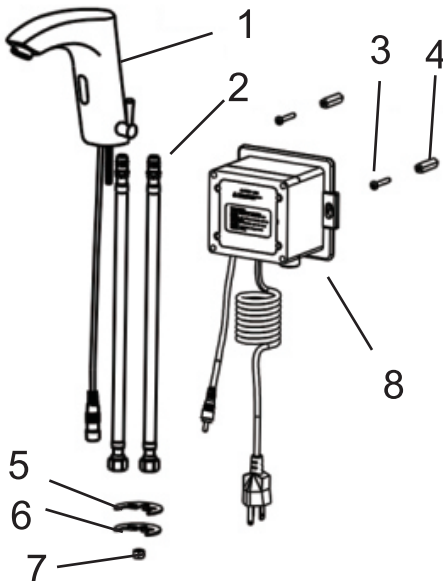
Single inlet faucet

Models: HF1H21-ORB (Sylvan), HF1H21-CHR (Trinidad)



Hot & cold inlet faucet

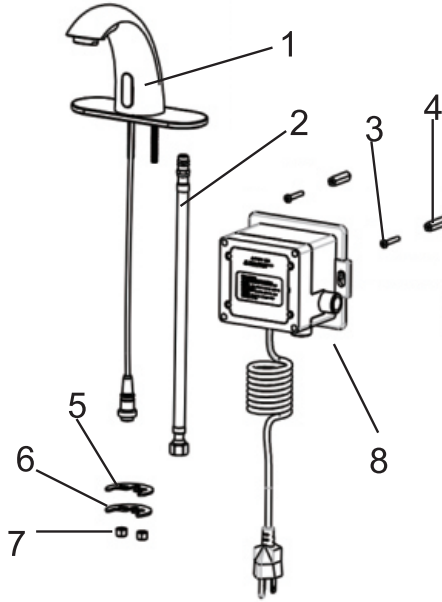
Models: HF1H22-CHR (Heath), HF1H22-BN (Lawa)



Product Diagram and Parts

Single inlet faucet

Models: HF1H23-CHR (Nelson), HF1H23-BN (Peace), (HF1H23-ORB) Snake



- | | |
|-----------------------|---------------------------|
| 1. Sensor faucet body | 5. Rubber gasket |
| 2. Braided hose | 6. Stainless steel gasket |
| 3. Self-tapping screw | 7. Nut |
| 4. Plastic sleeve | 8. Control box |

Battery installation

1. When the battery is out, the light sensor will flash in every 2 to 3 sec.
2. Replace the battery by taking off the cover and replace new battery.

*** Main control unit can be powered by AC or battery alone.

Control Box

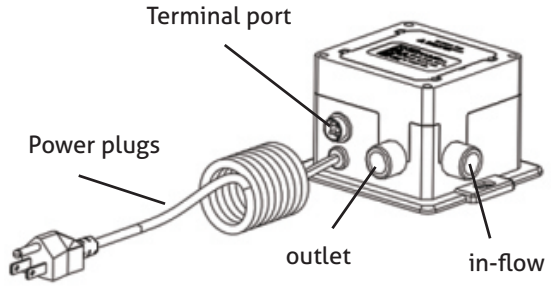
Single inlet control box

Models: HF1H21-ORB (Sylvan), HF1H21-CHR (Trinidad)
HF1H23-CHR (Nelson), HF1H23-BN (Peace), (HF1H23-ORB) Snake

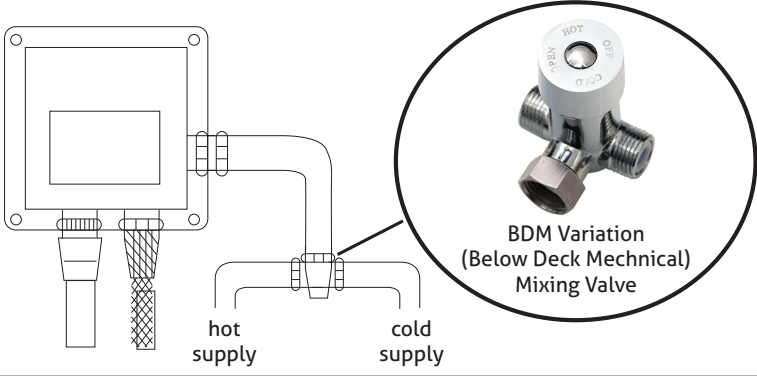
Single inlet control box

Clean filter :

1. Disconnect the power plug.
2. Turn off waterway.
3. Take out filter screen with a plier.
4. Clean filter screen gently with running water and replace the screen. Connect the power.



*** Hot/cold water mixing valve can be purchased.

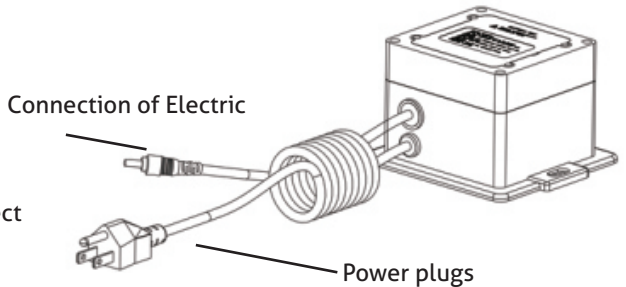


Sensor control box

Models: HF1H22-CHR (Heath), HF1H22-BN (Lawa)

Sensor control box

*Hot & Cold hoses connect directly to water supply.



Installation - Single inlet faucet

Single inlet faucet

Models: HF1H21-ORB (Sylvan), HF1H21-CHR (Trinidad)

HF1H23-CHR (Nelson), HF1H23-BN (Peace), (HF1H23-ORB) Snake

1. Connect with water inlet hose.



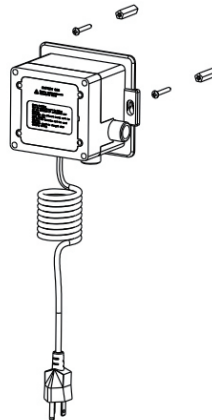
2. Put the hoses into basin sink hole



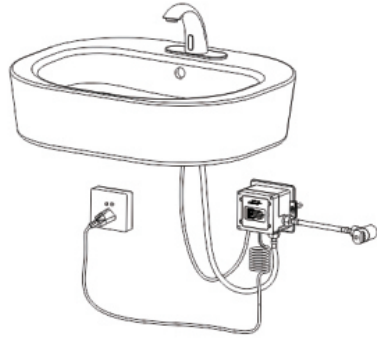
3. Fix the sensor faucet body with filler pieces and nut.



4. Hang the control box on the wall fixture
a. Drill two wall holes, and insert the plastic expansion sleeve and screws.



5. Connect faucet hose to outlet part on control box. Connect inlet port on control box to pretempered water supply. Connect faucet sensor power cord to control box. Make sure everything is secured then connect control box power cord to power outlet.



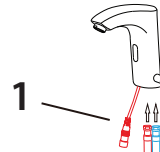
6. *Optional: hot/cold water mixing valve can be purchased. See control box figure (pg.4) . Please test the water temperature before installation, hot water may cause serious burn.**

Installation - Hot & Cold faucet

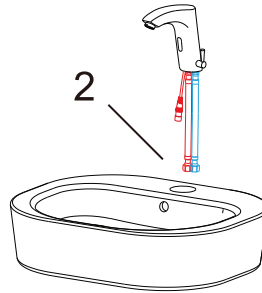
Hot & cold inlet faucet

Models: HF1H22-CHR (Heath), HF1H22-BN (Lawa)

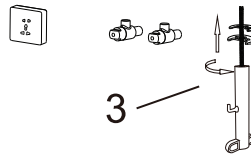
1. Connect with water inlet hose.



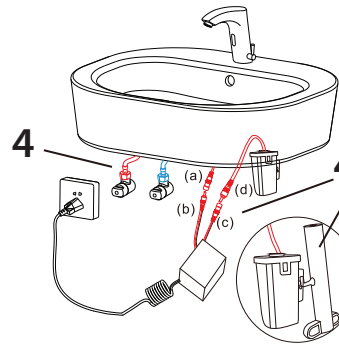
2. Put the hoses into basin sink hole.



3. Fix the sensor faucet body with filler pieces and nut.

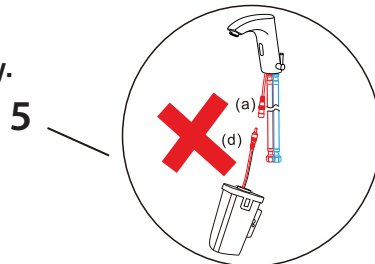


4. Connect the hot and cold flexible hoses to water supply valves.



4a. Connect electric wire A-B ; C-D
Hang the batteries box on the fixed nut. Make sure everything is secured then connect control box power cord to power outlet.

5. Do not connect wires A-D directly.



Sensor Adjustment & Troubleshooting

Sensor Adjustment

1. Turn off the water circuit and remove the faucet from the counter sink .
2. Use a clamp pliers to pick off the sponge which is at the back of the sensor display.
3. Take the controller out, along the potentiometer and adjust lightly. Turning clockwise will increase the inductive distance, turning anti-clockwise will decrease the inductive distance.

Troubleshooting

Phenomenon	Reason	Solution
No water comes out	Batteries run out	Replace new batteries
	electricity cut off	waiting for resume
	power failure	check power connection
	water cut off	waiting for resume
	filter blocked	clean the filter
	washing more than 1 min.	use it 10 sec later
Can't stop flowing	Batteries run out	Replace new batteries
	electricity cut off	waiting for resume
	power failure	check power connection
	Obstacle blocked	remove the obstacle
Shut off faucet but low water flows	low water pressure	reset water pressure
	filter is too dirty	clean the filter
water rate is too small	inlet hose too small	change a standard size hose
	triangular valve didn't open	Open the valve at full
	low water pressure	reset water pressure
Batteries short time limited	used non-alkaline or poor quality battery	replace new batteries

Manufacturer Limited Warranty

All Dyconn Faucet products are manufactured and tested with the highest quality standards and rigorous quality control process. This warranty is limited to the non-commercial use of Dyconn Faucet products purchased and installed in the United States and Canada.

Dyconn Faucet Brand Limited Warranty on Faucets and Kitchen/Bath Accessories

Dyconn Faucet warrants its faucet products to be free from manufacturing defects in material and workmanship during the normal non-commercial use for a period of three (3) years from the initial purchase date by the original owner/end-user for personal household use. Dyconn Faucet also warrants its part and accessory products to be free from manufacturing defects in material and workmanship during the normal non-commercial use for a period of one (1) year from the initial purchase date by the original owner/end-user for personal household use. This warranty is non-transferable between homes or owners and only applicable for residential use. Any commercial or industrial use of Dyconn Faucet products automatically voids the warranty. Any warranty claim must include the original sales receipt as proof of purchase from an Authorized Dealer or Distributor of Dyconn Faucet products. (Authorized Dealers can be found on the Dyconn Faucet website).

Dyconn Faucet recommends installation of all Dyconn Faucet products by a licensed professional plumber. Dyconn Faucet will not be responsible for any damage or product failure due to improper installation, misuse or the failure to adequately utilize a licensed professional. Proper care and maintenance for all products is standard, like any other household appliance and fixtures to ensure proper function and a lasting product. Instructions are provided in your manual on proper care and maintenance of Dyconn Faucet products.

This warranty will not cover any damages that might be caused by the product. (In some instances States do not allow for such limitations, so this may not apply to all owners).

Any product reported to Dyconn Faucet as defective will be repaired or replaced (with a product of equal value) at the option of Dyconn Faucet. If Dyconn Faucet is not able to replace or repair the product, Dyconn Faucet may elect to refund the original purchase price to the original purchaser in exchange for the return of product. Dyconn Faucet has the full rights to inspect any Dyconn Faucet product reported as defective prior to repair or replacement. Any repair and replacement costs EXCLUDE shipping, labor for removal or re-installation and any consequential or special damages associated with return, replacement and installation of your product. Replacement parts may be obtained by calling 1-855-239-2666 (in the U.S. and Canada), by emailing us at info@dyconnfaucet.com or writing to:

Dyconn Faucet – 382 N. Lemon Avenue #122, Walnut, CA 91789

Dyconn Faucet reserves the rights to modify the warranty at any time, it being understood that any such modifications will not supersede warranty conditions that are applicable at the time of the original sale of products in question.

Though Dyconn Faucet products are certified by various agencies, Dyconn Faucet makes no implication that products comply with any or all local building or plumbing codes. It is the consumer's responsibility to determine any code compliances when installing and using Dyconn Faucet products.

Limitations of Warranty:

The warranty shall be not apply and be void for incorrect operating procedures, breakages and/or damages caused by fault through improper installation, carelessness, abuse, misuse, misapplication, improper maintenance and alteration of product; damages caused by chemicals, natural corrosion, accident, fire, flood, an act of God, or any casualty. Avoid abrasive cleaners, materials, steel wools and harsh chemicals as these will scratch, damage, and/or dull the products and/or finish of the products and void the warranty. The proper installation of product covered is the responsibility of the original owner/purchaser of the product. Dyconn Faucet neither installs nor supervises the installation nor hires contractors for this purpose; consequently Dyconn Faucet cannot be held responsible for any default breakage, or damages caused thereby or resulting thereof, either directly or indirectly.

This warranty does not apply to Products that have not been installed or operated in accordance with instructions supplied by Dyconn Faucet and all applicable rules, regulations, and legislation pertaining to such installations.

This warranty does not apply to Commercial or Industrial applications of Dyconn Faucet products.

Dyconn Faucet is not responsible or liable for personal injuries or deaths to any person for any direct, special, incidental, or consequential damage, loss of time, loss of profits, inconvenience, incidental expenses, labor or material charges, or any other cost resulting from the use of the product or equipment or pertaining to the application of the present warranty, or resulting from the removal or replacement of any product or element or part covered by this warranty.

In any case, Dyconn Faucet is not liable for any amount over and above the purchase price paid for the Product by the original owner/end-user.

Cleaning and Care

Care should be exercised when cleaning this product. Although its finish is extremely durable, it can be damaged by harsh abrasives and cleaning pads. To clean, use a light, non-abrasive cleaning solution or cleaning polish.



 **DYCONN**