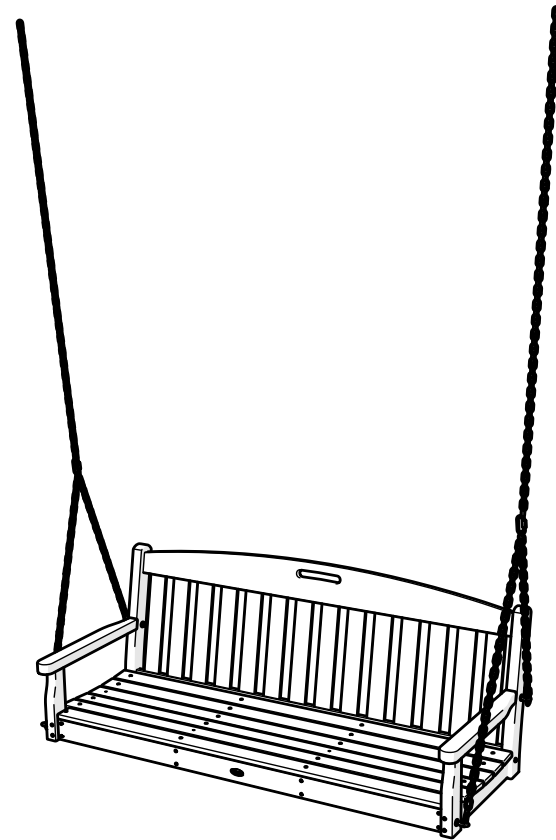




## Assembly Instructions



### **TXS60** Yacht Club Swing

#### ..... **20-Year Warranty** .....

To view our full warranty, please visit  
[trexfurniture.com/warranty](http://trexfurniture.com/warranty)

#### ..... **Share your space** .....

We love to see where our furniture  
ends up — snap a pic and share  
it with us on Facebook!  
[facebook.com/trexfurniture](https://www.facebook.com/trexfurniture)

#### ..... **Having Trouble?** .....

If you have questions or concerns regarding  
assembly instructions or missing parts,  
please contact us at **(877) 907-TREX (8739)**  
or email [support@trexfurniture.com](mailto:support@trexfurniture.com)

#### ..... **Cleaning Tips** .....

Keep your Trex Outdoor Furniture™  
looking brand new:

##### **For a quick clean:**

Simply wipe down with soap and water.

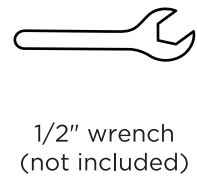
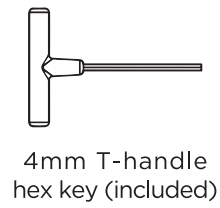
##### **For a deeper clean:**

You'll need:

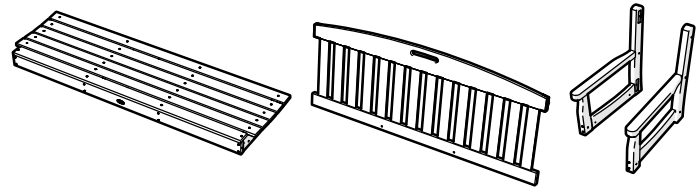
- » 1/3 bleach and 2/3 water solution
- » clean cloth
- » soft bristle brush

Wipe on solution with your cloth  
and let it sit on the lumber for a few  
minutes (this will not affect the color).  
Then, loosen any dirt and debris that  
may catch in surface grooves with a  
soft bristle brush; hose down to rinse.

# TOOLS

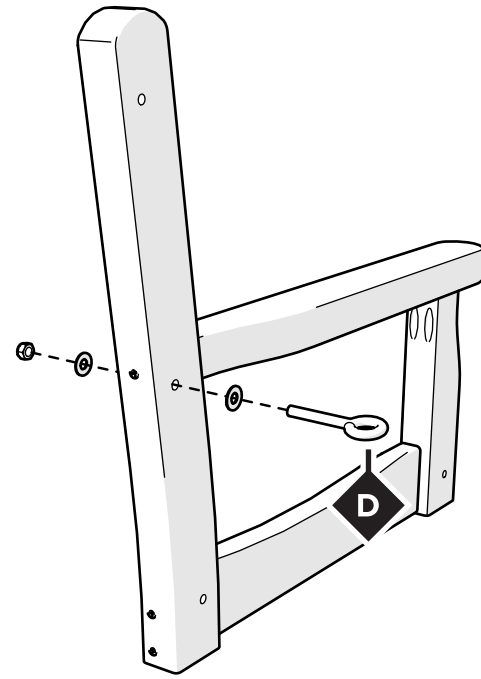


# PARTS

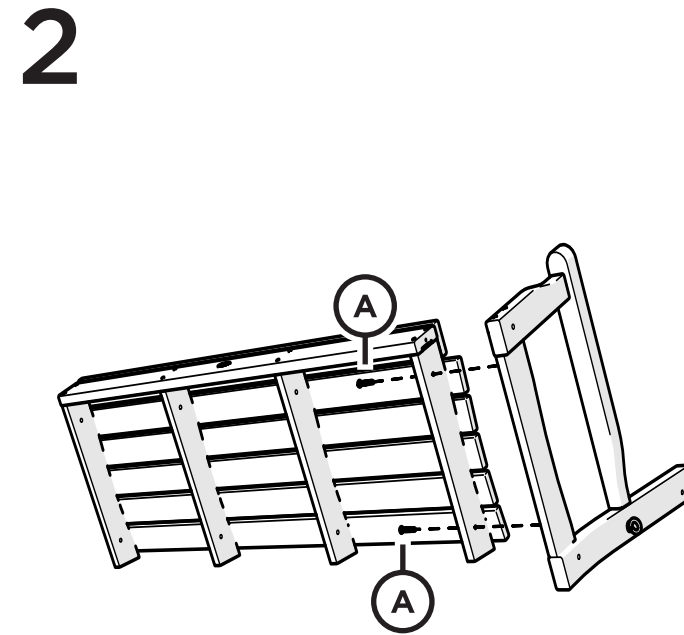


- A x4**  
1.75" Screw — H.27X1.75
  - x2**  
Quick Link — HQL.25\*
  - x4**  
Zinc Chain\*
  - B x4**  
2.5" Screw — H.27X2.5
  - C x2**  
1.75" Bolt — H.25-20X1.75
  - x4**  
Snap Hook 1/4"
  - D x2**  
Eye Bolt - 5/16-18X2\*
  - x6**  
Washer
  - E x2**  
Lag Eye Bolt — HEB.313X4SS\*
  - x2**  
Nut
- \*Not to scale

- 1** **x2**  
Washer
- x1**  
Nut



Duplicate other side



Duplicate other side

