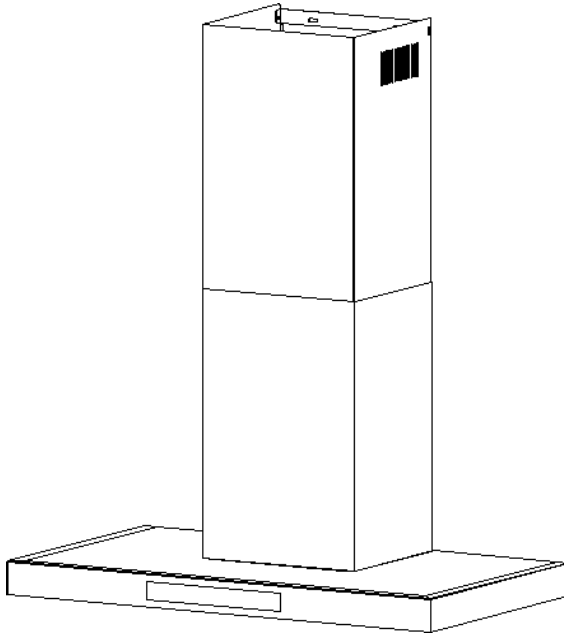


Chambers[®]

INSTALLATION AND USER MANUAL



Model: MVW102BSS

*** Important: Read the complete manual carefully before installation and save this manual***

For accuracy, measurements and rough openings should be done based on the actual hood.

CONTENTS

INTRODUCTION 3
SAFETY INFORMATION3-5
TOOLS & PARTS.....6
INSTALLATION..... 7-12
OPERATION 13
TEMPERATURE CONTROL INTELLIGENT MODE..... 14
MAINTENANCE 15
TROUBLESHOOTING16
ENVIRONMENTAL PROTECTION 17
WARRANTY 18-19

INTRODUCTION

Thank you for choosing this cooker hood.

This instruction manual is designed to provide you with all required instructions related to the installation, use, maintenance, and warranty of the appliance. Please read this instruction manual carefully before installation and operating your range hood. This range hood is made from high quality materials and has a streamlined design. Equipped with a powerful electric motor and centrifugal fan, your range hood will provide excellent ventilation and low noise operation.

1. IMPORTANT SAFETY INFORMATION

Intended for Domestic Kitchen Use Only

Warning:

TO REDUCE THE RISK OF FIRE, ELECTRICAL SHOCK OR PERSONAL INJURY, PLEASE OBSERVE THE FOLLOWING:

1. Installation and electrical work must be done by a qualified TECHNICIAN in accordance with all applicable codes and standards.
2. If the supply cord is damaged, it must be replaced by the manufacturer, its service agent or a similarly qualified person to avoid a hazard. Do not use an extension cord. If the power supply cord is too short, have a qualified electrician install an outlet near the appliance. Any modifications that may be required to the home's electrical system for the installation of the range hood must only be made by qualified electricians.
3. Before servicing or cleaning unit, unplug or disconnect the range hood from the power supply to prevent power from being switched on accidentally.
4. Use this unit only in the manner intended by the manufacturer.
5. Sufficient air is needed for combustion and exhausting of gases through the chimney of fuel burning equipment to prevent back drafting. Follow the heating equipment manufacturer's guidelines and safety standards such as those published by the National Fire Protection Association (NFPA), and the American Society for Heating, Refrigeration and Air Conditioning Engineers (ASHRAE), and the local code authorities.
6. When cutting or drilling into wall or ceiling, be careful NOT to Damage existing electrical wiring and other hidden utilities.

7. Ducted fans must always be vented to the outdoors.
8. To reduce the risk of fire, use only metal ductwork.
9. This appliance must be grounded. In the event of an electrical short circuit, grounding reduces the risk of electric shock by providing an escape wire for the electric current. This appliance is equipped with a cord having a grounding wire with a grounding plug. The plug must be plugged into outlet that is properly installed and grounded.

WARNING – Improper grounding can result in a risk of electric shock.

10. To Reduce The Risk Of Fire Or Electric Shock, Do Not Use This Fan With Any solid- State Speed Control Device.

11. To provide protection against electric shock, connect to properly grounded outlets only.

CAUTION: To reduce risk of fire and to properly exhaust air, be sure to duct air outside - Do not vent exhaust air into spaces within walls or ceilings or into attics, crawl spaces, or garages.

TO REDUCE THE RISK OF A RANGE TOP GREASE FIRE:

1. Never leave surface units unattended at high settings. Boil overs cause smoking and greasy spillovers that may ignite. Heat oils slowly on low or medium settings.
2. Always turn hood ON when cooking at high heat or when flambéing food (i.e. Crepes Suzette, Cherries Jubilee, Peppercorn Beef Flambé’).
3. Clean ventilating fans frequently. Grease should not be allowed to accumulate on fan or filter.
4. Use proper pan size. Always use cookware appropriate for the size of the surface element.

TO REDUCE THE RISK OF INJURY TO PERSONS IN THE EVENT OF A RANGE TOP GREASE FIRE, OBSERVE THE FOLLOWING:

1. SMOTHER FLAMES with a close-fitting lid, cookie sheet or metal tray, and then turn off the burner. If the flames do not go out immediately, evacuate and call the fire department.
2. NEVER PICK UP A FLAMING PAN. – You may be burned.
3. DO NOT USE WATER, including wet dishcloths or towels – a violent steam explosion may result.

4. ONLY USE AN EXTINGUISHER IF:

- You know you have a Class ABC extinguisher and you already know how to operate it.
- The fire is small and contained in the area where it started.
- The fire department is being called.
- You can fight the fire with your back to an exit.





CAUTION: For General Ventilating Use Only. Do Not Use To Exhaust Hazardous Or Explosive Materials And Vapors.

2. TOOLS AND PARTS REQUIREMENTS

Required tools:

Electrical drill or ratchet driver
 1/2" drill bit for drilling pilot holes
 1 1/4" drill bit for drilling electrical wiring access hole.
 Screwdrivers: Philips & Straight blade
 Pliers
 Tape measure or ruler and pencil
 Electrical supplies for wiring
 Aluminum tape and/or duct tape
 Hammer
 Jigsaw or saber saw
 Stud finder

Parts Supplied

Part	QTY	Photo
Bracket for body	1pcs	
Bracket for upper chimney	1pcs	
Bracket for lower chimney	1pcs	
Screw: ST4*8	6pcs	
Screw: ST4.0*30	9pcs	
Wall anchor: ϕ 8	9pcs	

Parts Supplied

Range Hood 1 pcs
 Chimney 2 pcs
 Installation manual 1 pcs
 Air Damper (In bag or already installed) 1 pcs
 Exhaust pipe 1 pcs
 Hardware bag 1 bag
 Disclaimer: Screws many vary from model to model.

LOCATION REQUIREMENTS

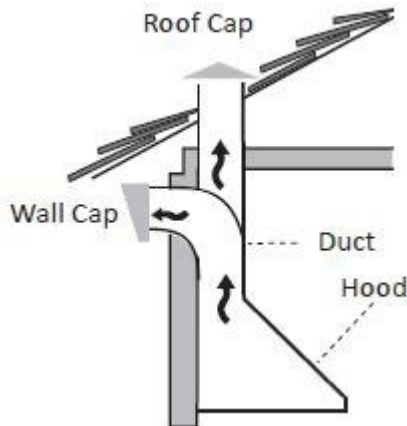
IMPORTANT: Observe all governing codes and ordinances. Have a qualified technician install the range hood. It is the installer's responsibility to comply with installation clearances specified on the model/serial rating plate.

Canopy hood's location should be away from strong draft areas, such as windows, doors, and strong heating vents.

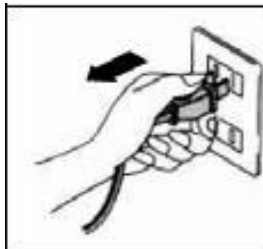
Cabinet opening dimensions that are shown must be used. Given dimensions provide minimum clearance.

3. INSTALLATION (Before You Start...)

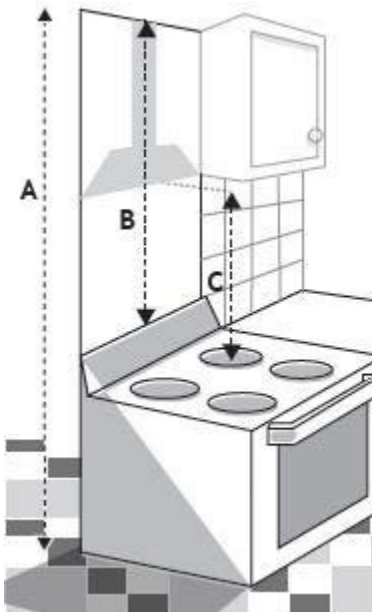
1. Read this manual carefully and completely.
2. Chambers® range hoods conform to cETLus standards. Check your local building codes for any additional requirements.
3. The appliance has been manufactured as Class I, therefore a ground connection is necessary. A 120V power cord with plug is provided. **The range hood must be installed so that the electrical outlet is easily accessible with the chimney in place.**
4. This appliance has been designed for use in both ducted and recirculating modes, follow the appropriate installation method. (For recirculation mode a kit is required – not included. Contact Chambers® to determine if a kit is available for your hood.)
5. Your cooker hood can be exhausted as below by means of an extraction duct (enamel, aluminum, flexible pipe or inflammable material with an interior diameter of 6”) or a recirculating kit (see section 6.)



6. Before installation, turn the unit off and unplug it from the outlet.



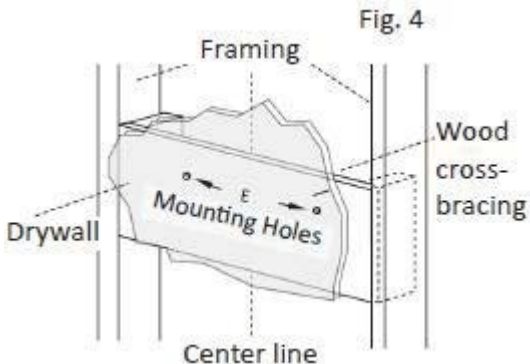
7. For models with LED Panel Lighting, do not install the range hood less than 30 inches from the cooking surface (Fig C.) to avoid potential safety hazards.

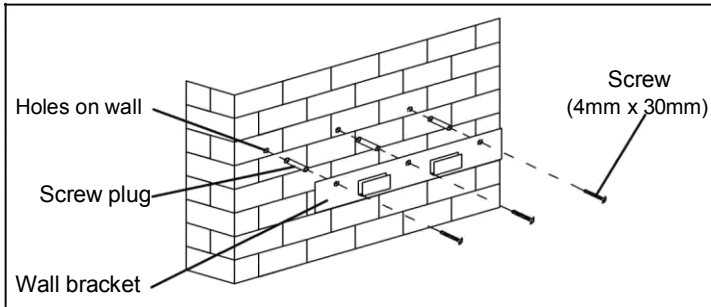


4. INSTALLATION (EXTERIOR VENTILATION):

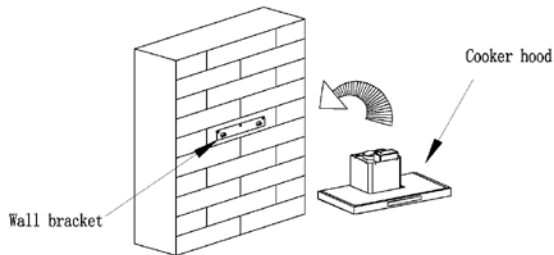
When the range hood is in operation, the negative pressure in the room must not exceed 4 Pa (4×10 Bar)

1. Drill 3x8mm holes to accommodate the body bracket. Fasten the bracket onto the wall with the screws and screw plugs provided. Ensure that you affix the bracket to a wall stud or mounting plate.

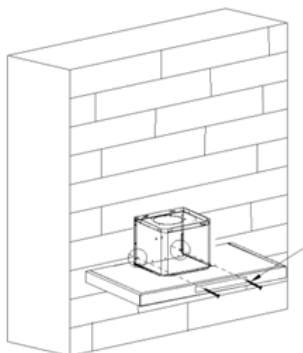




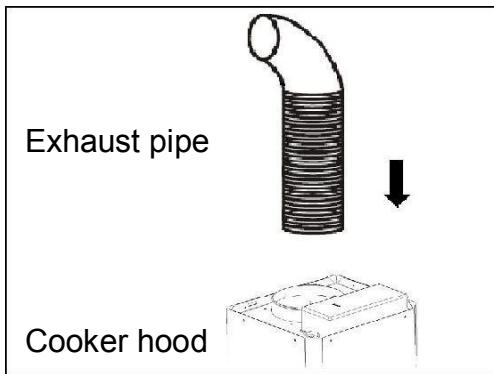
2. Lift the cooker hood and hang it onto the wall bracket hooks.



3. After hanging the hood on the bracket, remove the filters, mark the 2 safety screw holes inside the hood. After marking the holes, remove the hood and drill two holes where you have marked them. Insert 2 wall plugs and finally fasten the safety screws with 2 x ST4x30mm screws.

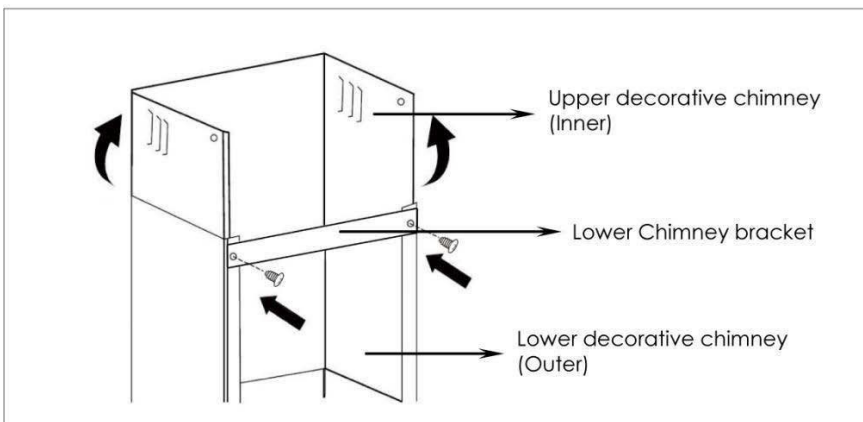


4. Fix the one-way-valve (air damper) to the air outlet of the cooker hood. If it hasn't been factory installed. Then attach the exhaust pipe to the one-way-valve as shown below.

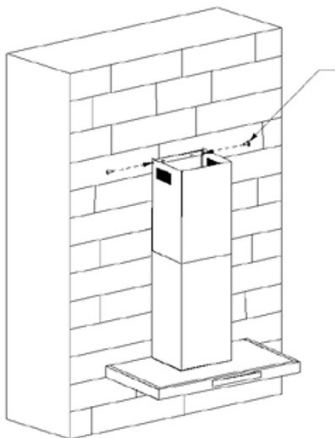


5. CHIMNEY INSTALLATION

1. Place the upper chimney into the lower chimney.
2. Before attaching the bracket to the chimney, decide and mark the location of lower chimney bracket screw holes for fixing the lower chimney bracket to the wall. Use 2 pcs ST4x8mm screws to attach the lower chimney bracket to the lower chimney.
3. **Do not over tighten the screws.**
4. Fix the lower chimney to the wall with 2 screws (ST4x30) and 2 wall plugs
5. Make sure the upper chimney can be telescopically adjusted after assembly.

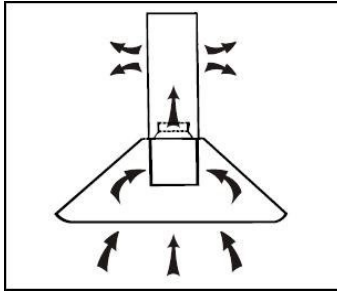


6. Mark and drill 2 holes to accommodate the upper chimney bracket. Screw and tighten the upper chimney bracket to the wall with 2 screws (ST4x30) and 2 wall plugs. Slide the upper chimney up to the correct height and affix it to the upper chimney bracket via 2 x ST4x8mm screws.

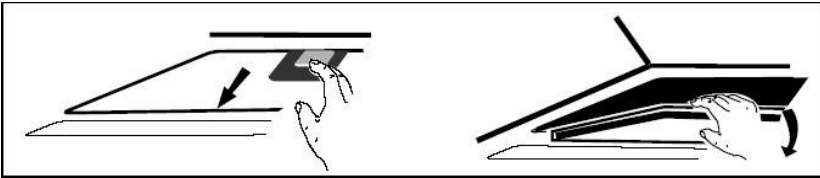


6. INSTALLATION (RECIRCULATING)

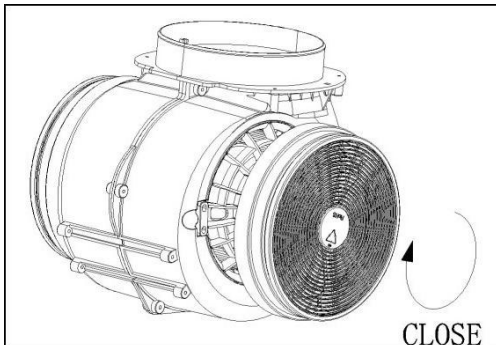
If you cannot vent your range hood externally, an exhaust pipe is not required. A recirculating kit can be used to clean the air and trap odors.



1. To install the activated carbon filter, the grease filters should be removed first. Press down the locking tab to remove the filters.



2. Attach the activated carbon filter to the air intake and turn it in a clockwise direction. Repeat on the other side.



NOTE:

- * *Make sure the filter is securely locked. Otherwise, it may become loose and cause damage or injury.*

7. OPERATION

Invisible Touch Controls



1

2


3



On/Off button

Used for turning the fan On/Off. When plugged in, press this button for 3 seconds and all buttons will light up and the range hood will function.

STANDBY MODE

When the range hood is first plugged in, the  symbol will flash slowly, it is in **STANDBY MODE**. Press any button to start normal operation.

1

Low Speed button

Suitable for simmering and cooking which does not make much steam.

2

Medium Speed button

This airflow speed is ideal for ventilation in normal cooking situations.

3

High Speed button

When lots of smoke or steam is produced, press the high-speed button for highly effective ventilation.



Light button

Turns the lights on and off.

8. TEMPERATURE CONTROL INTELLIGENT MODE

The default setting for the heat sensor is “ACTIVE”

1. When the heat sensor is in ACTIVE mode you will not need to press any buttons to activate the fan unless you wish to.
2. In ACTIVE mode, when the cooking temperature reaches the high limit threshold, the buzzer will sound, the fan will be turned on at medium speed, and the lights will turn on. When the cooking temperature drops below the high limit threshold, the buzzer will sound and all functions (including the lights) will be turned off.
3. When in active mode, all the buttons can be operated normally. If you operate the range hood manually, the buzzer will sound once, exit ACTIVE mode, and enter the corresponding functional state.
4. The position of the heat sensor must be installed above a heat source. If the distance from the heat source is too large, the temperature control function may not function correctly. For best results do not install the range hood higher than 30” from the cooktop.

Factors that can affect the function of the heat sensor

1. Wind
2. Cold water has just been added to your pot or pan
3. Low heat
4. The Heat Sensor is covered with grease

9. MAINTENANCE

Before cleaning, switch the unit off and disconnect the electrical supply.

I. Regular Cleaning

Use a soft cloth moistened with hand-warm mildly soapy water or household cleaning detergent. Never use metal pads, chemical, abrasive material or stiff brush to clean the unit.

II. Monthly Cleaning for Grease Filter

ESSENTIAL: Cleaning the filters every month can prevent risk of fire.

The filters collect grease, smoke and dust. If they are not cleaned regularly, the grease residue (potentially flammable) will saturate the filter and cause a reduction in airflow. Clean it with household cleaning detergent.

III. Annual Cleaning for Activated Carbon Filter

This applies SOLELY to units that have been installed with a recirculating kit (no exterior ventilation.) This filter traps odors and must be replaced at least once a year depending on how frequently the cooker hood used.

IV. Heat Sensor

Make sure to clean the heat sensor regularly to ensure correct operation.

10. TROUBLESHOOTING

Fault	Cause	Solution
Lights are on, but the fan does not work	The fan blade is jammed.	Turn off unit. Repair by qualified service personnel only.
Both lights and fan do not work	The motor is damaged.	Turn off unit. Repair by qualified service personnel only.
	Light bulb is burnt out.	Replace the bulb.
	Power cord is loose.	Plug in to the power supply again.
Serious Vibration of the unit	The fan blades are damaged.	Turn off unit. Repair by qualified service personnel only.
	The fan motor is not fixed tightly.	Turn off unit. Repair by qualified service personnel only.
	The unit is not hung correctly on the bracket	Check the unit is level
	The air damper or exhaust pipe is blocked/obstructed	Remove the chimney and check for blockages or obstructions
Unit is not ventilating well	Distance from the unit to the cooking plane is too far.	Re-adjust the distance to 25 1/2-36 inches.
	The air damper or exhaust pipe is blocked/obstructed	Remove the chimney and check for blockages or obstructions

11. ENVIRONMENTAL PROTECTION



Waste electrical products should not be disposed of with household waste. Please recycle where facilities exist. Check with your Local Authority or retailer for recycling advice.

By ensuring this product is disposed of correctly, you will help prevent potential negative consequences for the environment and human health, which could otherwise be caused by inappropriate waste handling of this product.

The symbol on the product indicates that this product may not be treated as household waste. Instead it shall be handed over to the applicable collection point for the recycling of electrical and electronic equipment

Disposal must be carried out in accordance with local environmental regulations for waste disposal.

For more detailed information about treatment, recovery and recycling of this product, please contact your local city office, your household waste disposal service or the shop where you purchased the product.

12. LIMITED WARRANTY

This warranty applies only to the original purchaser and may not be transferred. This warranty is applicable within North America only, to hoods installed for normal, non-commercial use in PRIVATE SINGLE FAMILY HOUSEHOLDS.

Chambers® warrants this product to be free from defects in material or workmanship for a period of ONE YEAR from the date of original purchase. During the warranty period, Chambers® will, at its option, repair or replace, without charges, any product or part which is found to be defective under normal use and service. This warranty covers parts and labor from a Chambers® authorized company, up to a maximum of one (1) hour. Proof of payment to the service company is required.

THERE ARE NO OTHER WARRANTIES, EXPRESS OR IMPLIED, INCLUDING BUT NOT LIMITED TO, IMPLIED WARRANTIES OR MERCHANT ABILITY OR FITNESS FOR A PARTICULAR PURPOSE. Proof of purchase/original invoice and serial number is required for warranty claims. Keep a photocopy easily accessible.

This warranty will be void if the serial plate has been removed or disfigured.

EXCLUSIONS – This Chambers® Warranty does not cover:

- Aluminum filters, lights or glass canopies, blower wheel damage
- Regular maintenance and service (except by an authorized Chambers® repair center)
- Damage resulting from accident, alteration, misuse, abuse, fire, flood, acts of God, improper installation, installation not in accordance with electrical codes, or use of consumables or cleaning products not approved by Chambers®
- Repair of an appliance used in other than a normal, single-family household, or in a manner that is contrary to the operation or installation instructions.
- Cosmetic damage or freight damage caused by a 3rd party freight company.
- Service to product that is not easily accessible due to unusual, exceptional, or difficult installation

- Service calls to instruct how to use the appliance
- Expenses for travel and transportation if your appliance is in a remote area where service by an authorized Chambers® servicer is not available.

The cost of repair or replacement under these exclusions shall be borne by the customer and agreed to before a servicer is dispatched.

CHAMBERS® SHALL NOT BE LIABLE FOR INCIDENTAL, CONSEQUENTIAL OR SPECIAL DAMAGES ARISING OUT OF OR IN CONNECTION WITH PRODUCT USE OR PERFORMANCE.

For a Chambers® authorized repair center please contact us at:
1-844-455-3474 ext. 2 or service@chambers-appliances.com

We do the utmost to ensure that the provided information is complete and accurate, however, images and specifications are subject to change without notice. Visit our website at www.chambers-appliances.com for the latest version of this manual.