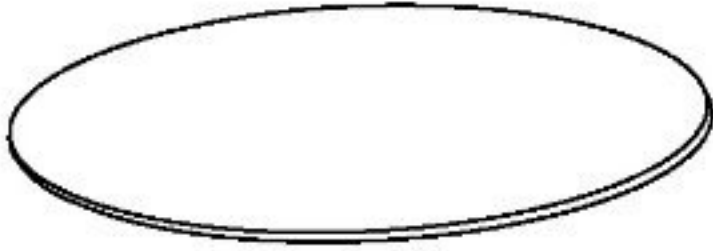
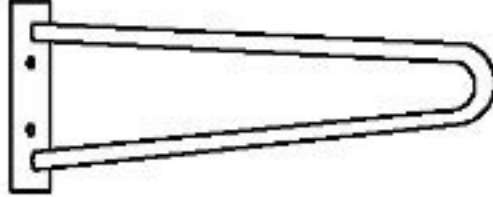

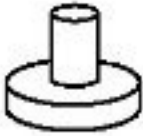



301-284BK

ASSEMBLY INSTRUCTIONS /
INSTRUCTION D'ASSEMBLAGE

| | | | | | |
|---|---|---|---|---|---|
| A | 1 | B | 4 | C | 8 |
|  | |  |  | | |
| | | D | 4 | E | 1 |
| | |  | |  | |

