

Features

- Solid polypropylene plastic.
- Elongated open-front seat.
- Ergonomic contour adds additional comfort.
- Integrated handle allows user to easily raise and lower the ring.
- Stainless steel hinge arms and hardware.
- Heavy duty.
- Without cover.
- ADA compliant when installed with an ADA compliant toilet.
- Self-sustaining check hinge prevents slamming with check hinge functionality.



Codes/Standards





None Applicable

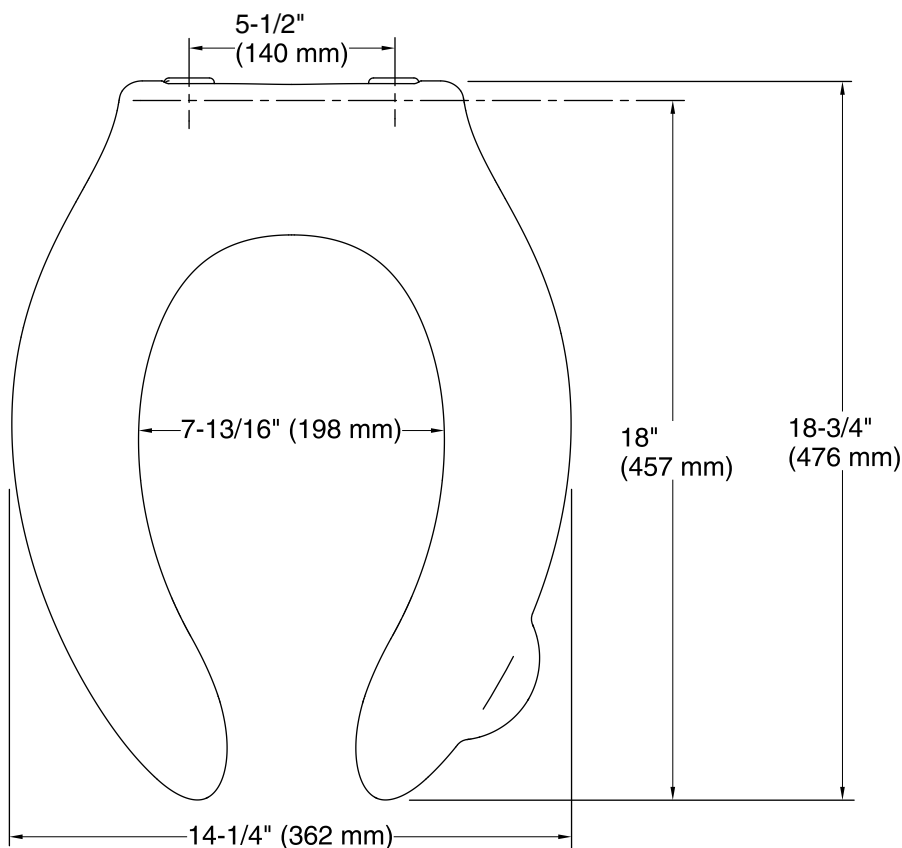
KOHLER® One-Year Limited Warranty

See website for detailed warranty information.

Available Color/Finishes

Color tiles intended for reference only.

Color	Code	Description
	0	White
	96	Biscuit
	47	Almond
	7	Black Black™



Technical Information

All product dimensions are nominal.

Seat shape type: Elongated
Seat front type: Open-front
Seat hinge type: Self-sustaining, Check
Seat-mounting holes: 5-1/2" (140 mm)

Notes

Install this product according to the installation guide.