



Stronghold®
Elongated Commercial Heavy-Duty Toilet Seat
K-4731-CA

Features

- Solid polypropylene plastic.
- Elongated open-front seat.
- Ergonomic contour adds additional comfort.
- Integrated handle allows user to easily raise and lower the ring.
- Stainless steel hinge arms and hardware.
- Heavy duty.
- Without cover.
- ADA compliant when installed with an ADA compliant toilet.
- Anti-microbial agent inhibits growth of odor-causing bacteria, mold, and mildew.
- Check hinge stops seat from leaning back and applying pressure on tank/flushometer.



Codes/Standards

None Applicable

KOHLER® One-Year Limited Warranty

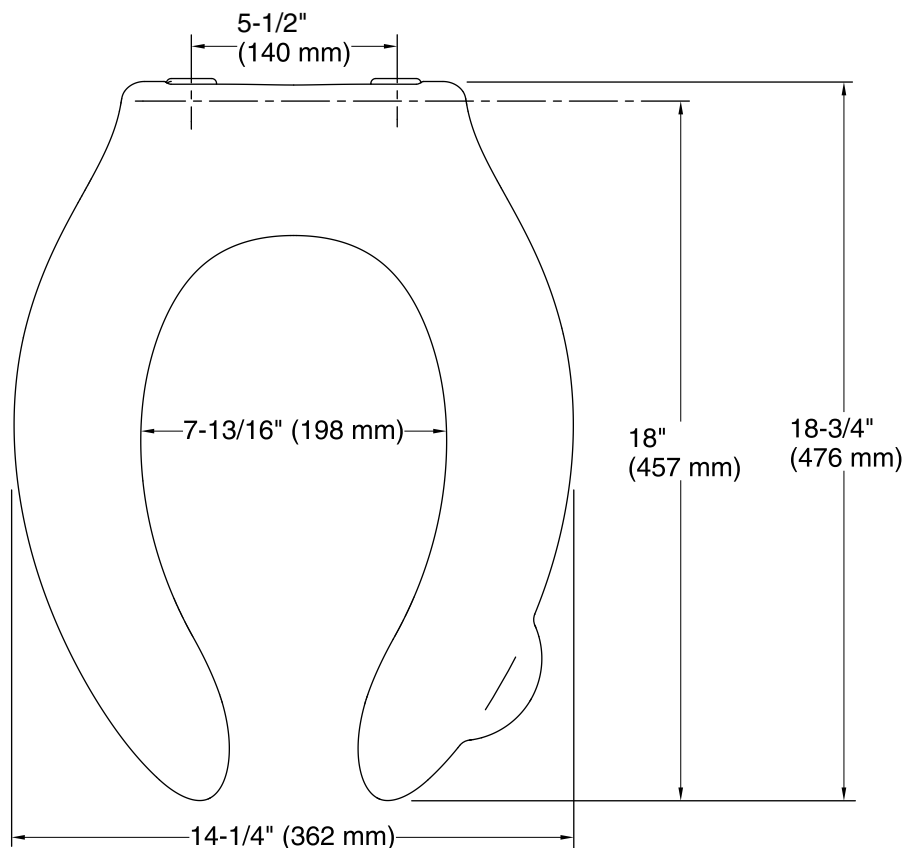
See website for detailed warranty information.

Available Color/Finishes

Color tiles intended for reference only.

Color Code Description

 0 White



Technical Information

All product dimensions are nominal.

Seat shape type: Elongated
Seat front type: Open-front
Seat hinge type: Check
Seat-mounting holes: 5-1/2" (140 mm)

Notes

Install this product according to the installation guide.