

Features

- Molded wood.
- With lid.
- Elongated closed-front seat.
- Versatile design that complements the design lines of many toilets.



Codes/Standards






IAPMO/ANSI Z124.5

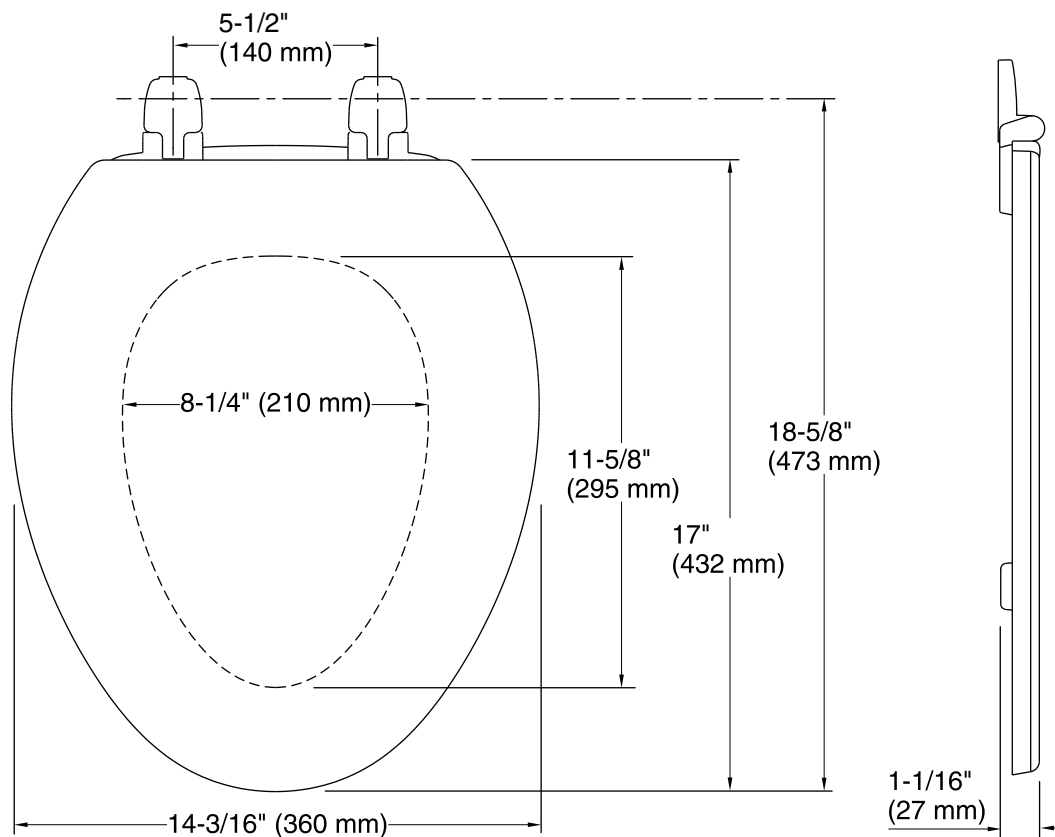
KOHLER® One-Year Limited Warranty

See website for detailed warranty information.

Available Color/Finishes

Color tiles intended for reference only.

| Color | Code | Description |
|--------------------------------------------------------------------------------------|------|---------------|
|  | 0 | White |
|  | 96 | Biscuit |
|  | 47 | Almond |
|  | 95 | Ice™ Grey |
|  | 33 | Mexican Sand™ |
|  | K4 | Cashmere |



Technical Information

All product dimensions are nominal.

Seat shape type: Elongated

Seat front type: Closed-front

Seat-mounting holes: 5-1/2" (140 mm)

Notes

Install this product according to the installation guide.