



Lustra™
Commercial Elongated Toilet Seat
K-4670-CA

Features

- Solid polypropylene plastic.
- Elongated open-front seat.
- Without cover.
- With check hinge.
- Anti-microbial agent inhibits growth of odor-causing bacteria, mold, and mildew.
- Stainless steel mounting bolts.



Codes/Standards

IAPMO/ANSI Z124.5

KOHLER® One-Year Limited Warranty

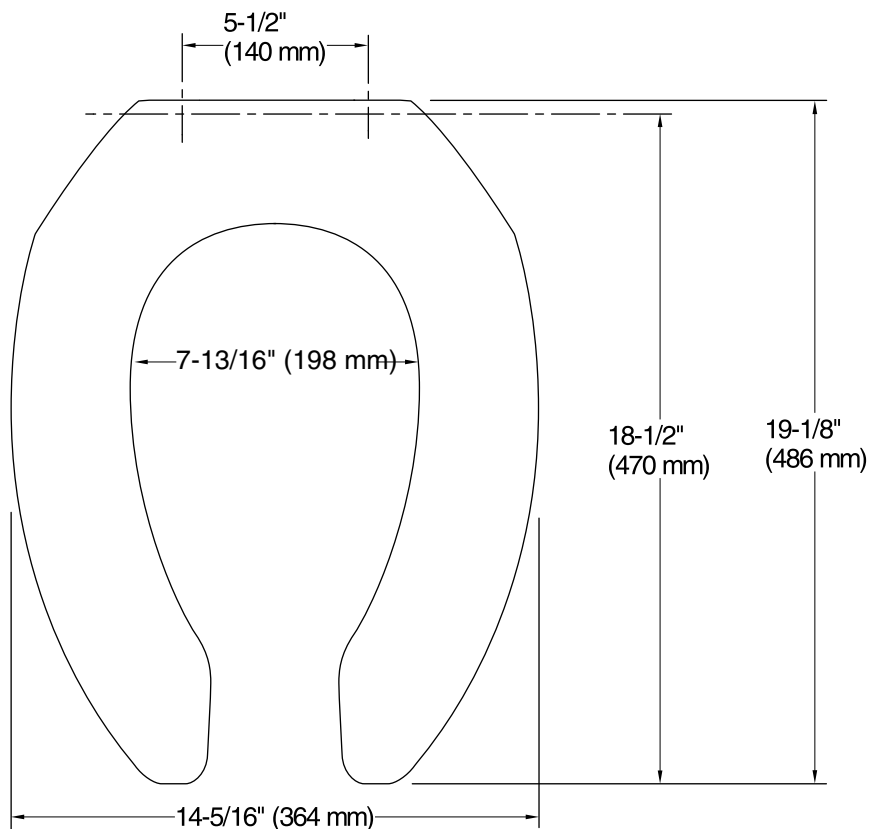
See website for detailed warranty information.

Available Color/Finishes

Color tiles intended for reference only.

Color Code Description

	0	White
--	---	-------



Technical Information

All product dimensions are nominal.

Seat shape type: Elongated

Seat front type: Open-front

Seat hinge type: Check

Seat-mounting holes: 5-1/2" (140 mm)

Notes

Install this product according to the installation guide.