

Features

- Large Single bowl.
- 10-inch depth provides generous workspace.
- No faucet holes.
- SilentShield® sound-absorption technology offers quieter performance.
- Three graduated ledges in basin allow you to place accessories at your preferred height.
- Beveled cone-shape slopes into the drain, easily disposing debris.
- Includes a bamboo cutting board that fits securely on the sink levels providing an easy-to-clean work surface.
- Includes two durable dishwasher-safe grated racks that provide a convenient shelf for drying, rinsing, and defrosting.
- Includes a durable dishwasher safe wash bin and colander for draining pasta, washing dishes, or defrosting meat.
- Includes installation hardware.

Material

- Handcrafted from 18-gauge stainless steel.

Installation

- Minimum base cabinet width: 33"-36" (33" may require cabinet modifications).
- Under-mount
- Strainer not included.

Recommended Accessories

K-6383 Soap Dispenser
K-8619 Flexible Kitchen Mat
K-8801 Sink Strainer
K-8799 Sink Strainer
K-8624 Dish Scraper

Components

Product includes:

K-5542 Multipurpose Grated Rack
K-5542 Multipurpose Grated Rack
K-5541 Bamboo Cutting Board
K-5544 Colander and Washbin



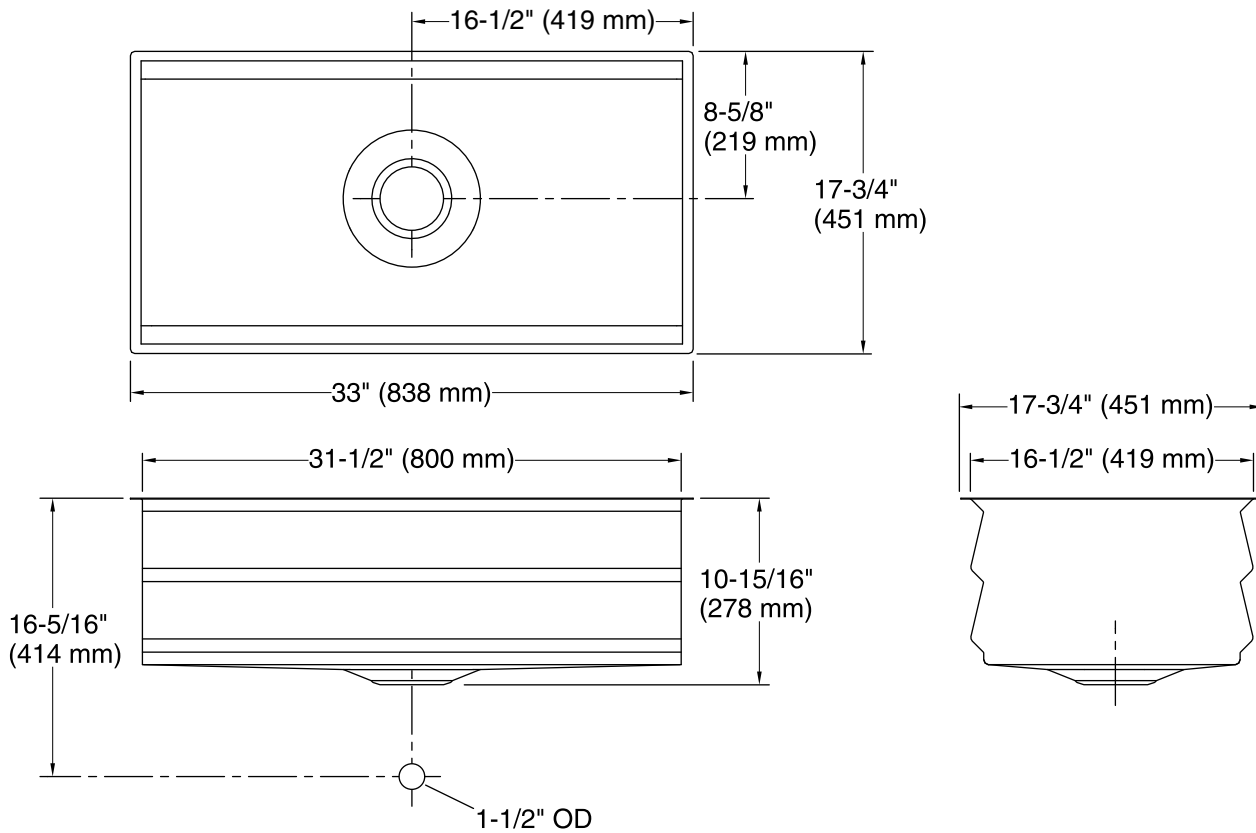
Codes/Standards

ASME A112.19.3/CSA B45.4

Lifetime Limited Warranty for KOHLER® Stainless Steel Sinks

Lifetime Limited Warranty for KOHLER® Stainless Steel Sinks

See website for detailed warranty information.



Technical Information

All product dimensions are nominal.

Bowl configuration:	Single
Installation:	Under-mount
Bowl area (Only):	Length: 31-1/2" (800 mm) Width: 16-1/2" (419 mm) Bowl depth: 10" (254 mm) Water depth: 10" (254 mm)
Drain hole:	3-3/4" (94 mm)
Template:	1093327-7, required, included

Notes

Install this product according to the installation instructions.