

Features

- 18-inch minimum base cabinet width.
- 18-gauge stainless steel.
- Top-mount or under-mount.
- Single bowl.
- 9-inch depth.
- Single faucet hole.
- Includes 1 sink rack.
- Includes installation hardware.
- 15" (381 mm) x 15" (381 mm).
- Strainer not included.

Recommended Accessories

K-8801 Sink Strainer
K-8799 Sink Strainer

Optional Accessories

1177161 Installation Clip Kit

Components

Product includes:

K-2993 Sink Rack

Additional included component/s: Cut-out template, and Hardware kit – top-mount.



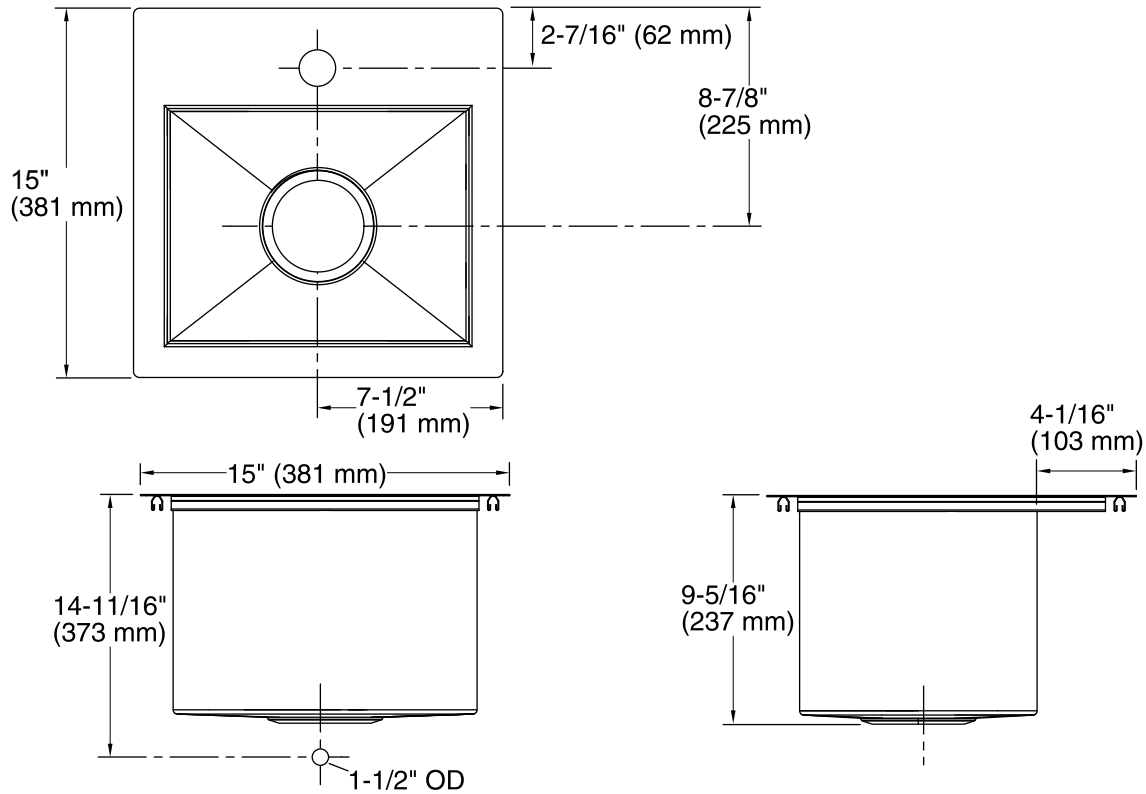
ADA

Codes/Standards

ASME A112.19.3/CSA B45.4
ADA
ICC/ANSI A117.1

Lifetime Limited Warranty for KOHLER® Stainless Steel Sinks

See website for detailed warranty information.



Technical Information

All product dimensions are nominal.

| | |
|-----------------------|--|
| Bowl configuration: | Single |
| Installation: | Top-mount, Under-mount |
| Bowl area (Only): | Length: 12-1/4" (311 mm) Width: 9-9/16" (243 mm) Bowl depth: 9" (229 mm) |
| Number of deck holes: | 1 |
| Faucet hole(s): | 1-7/16" (37 mm) |
| Drain hole: | 3-5/8" (92 mm) |
| Template: | 1161548-7, required, included |

Notes

Install this product according to the installation instructions.

ADA compliant when installed to the specific requirements of these regulations.