

Features

- Oval basin.
- Without overflow.
- 19-7/8" (505 mm) x 16-11/16" (424 mm)

Material

- 20-gauge stainless steel.
- Luster finish.

Installation

- Under-mount or drop-in.

Required Accessories

K-7107 Decorative Drain

or

K-7108 Decorative Drain

or

K-7129 Drain

or

K-7114 Pop-Up Drain

or

K-7124 Pop-Up Clicker Drain

or

K-7127 Drain

Recommended Accessories

K-8998 P-Trap

Components

Additional included component/s: 1193643 Basin Clamps , and
Cutout template..



ADA

OBC

Codes/Standards

ASME A112.19.3/CSA B45.4

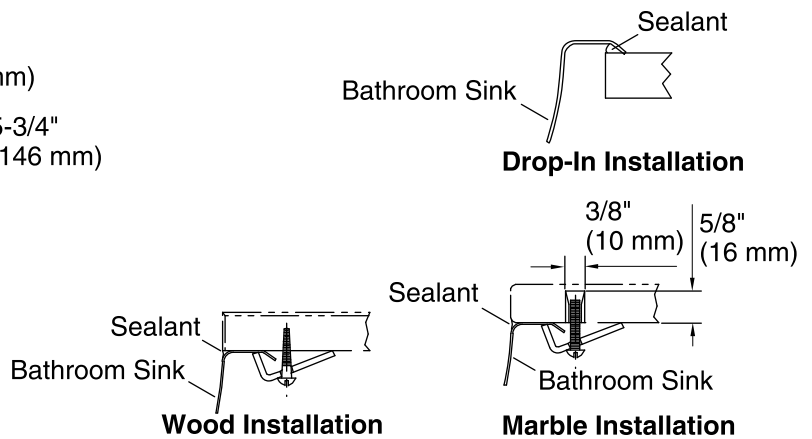
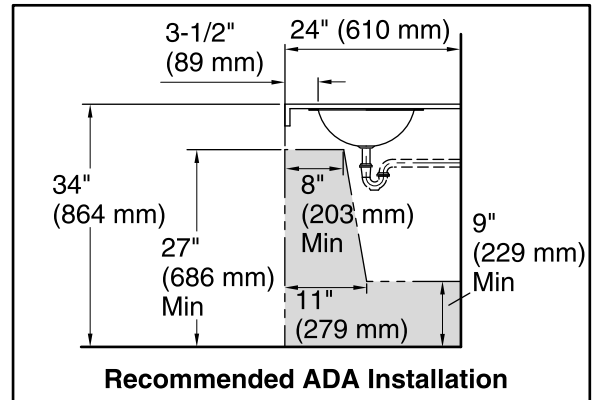
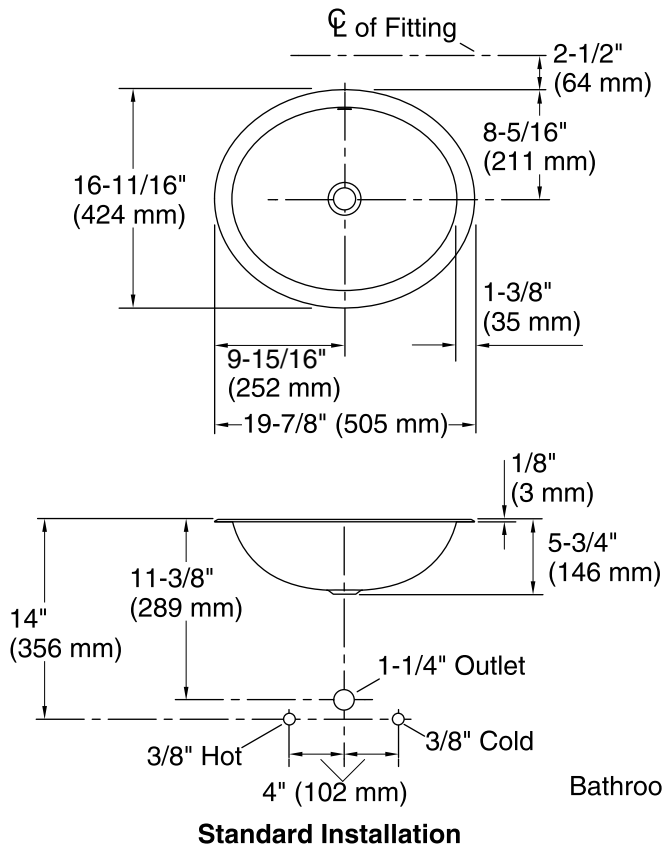
ADA

ICC/ANSI A117.1

OBC

KOHLER® One-Year Limited Warranty

See website for detailed warranty information.



Technical Information

All product dimensions are nominal.

Installation:	Drop-in, Under-mount
Bowl area:	Water depth: 5-3/8" (137 mm)
Drain hole:	1-5/8" (41 mm)
Template:	1248333-7, not required, not included

Notes

Install this product according to the installation instructions.

Installer must supply anchors based on countertop material and thickness.

ADA, OBC compliant when installed to the specific requirements of these regulations.