



## Iron Plains® Rectangle

Bathroom Sink

K-5400-W

### Features

- Above-counter, drop-in, or under-mount installation
- With overflow

### Material

- KOHLER® enameled cast iron.

### Optional Accessories

52047 Clamp Accessory Pack, 4 Ea.

### Components

Additional included component/s: 1193643 Basin Clamps.



ADA

### Codes/Standards

ASME A112.19.1/CSA B45.2

ADA

ICC/ANSI A117.1

### Lifetime Limited Warranty for KOHLER® Cast Iron Components

See website for detailed warranty information.

### Available Color/Finishes

*Color tiles intended for reference only.*

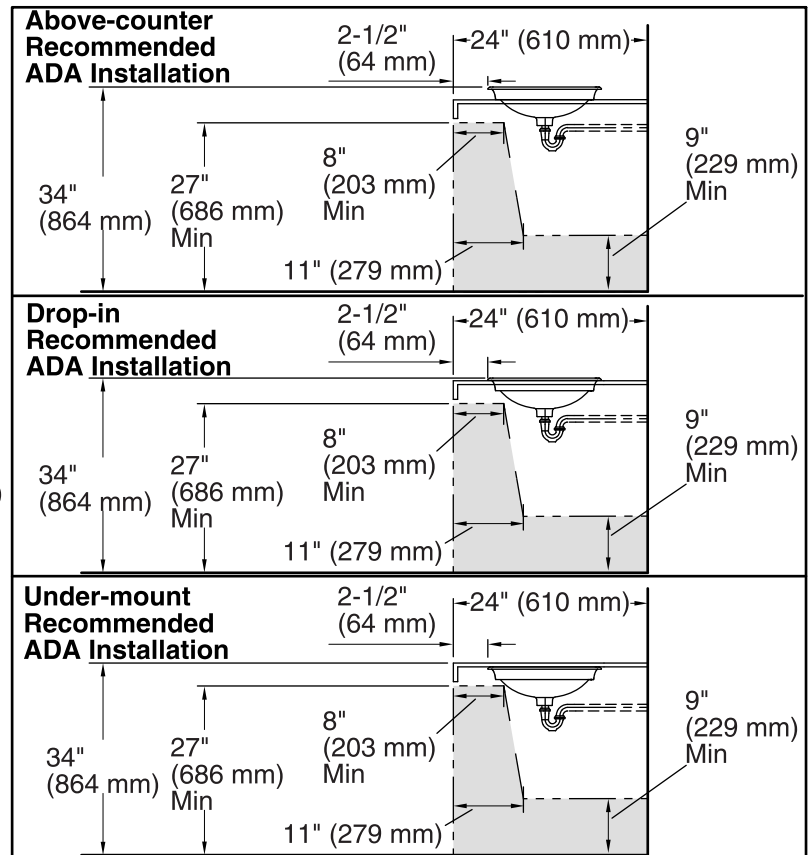
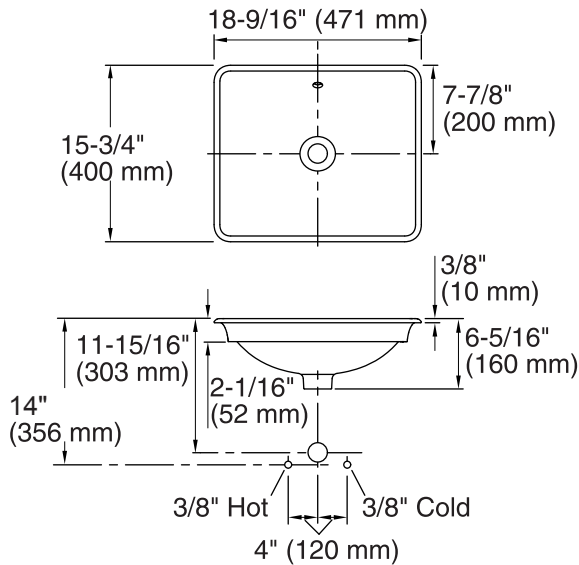
Color	Code	Description
-------	------	-------------



0 White



FF Sea Salt™



### Technical Information

All product dimensions are nominal.

- Bowl configuration: Single  
 Installation: Vessel  
 Bowl area (Only): Length: 17-1/2" (445 mm)  
 Width: 14-3/4" (375 mm)  
 Bowl depth: 4-9/16" (116 mm)  
 With overflow: Yes  
 Water depth: 2-15/16" (74 mm)
- Template: 1222632-7, required, included  
 1222632-7, required, included  
 1222632-7, required, included

### Notes

Install this product according to the installation instructions.

**NOTICE:** Countertop manufacturer or cutter must use the cut-out template provided with the product, or a current one provided by Kohler Co. (call 1-800-4-KOHLER). Kohler Co. is not responsible for cutout errors when the incorrect cut-out template is used.

ADA compliant when installed to the specific requirements of these regulations.