

## Features

- Under-mount.
- Oval basin.
- Without overflow.
- No faucet holes; requires wall- or counter-mount faucet.
- Coordinates with other products in the Serif collection.
- 20-5/8" (524 mm) x 15-1/4" (387 mm)

## Material

- KOHLER® enameled cast iron.

## Recommended Accessories

K-9018 P-Trap

## Components

Additional included component/s: 1193643 Basin Clamps.



**ADA**

## Codes/Standards

ASME A112.19.1/CSA B45.2  
ADA  
ICC/ANSI A117.1

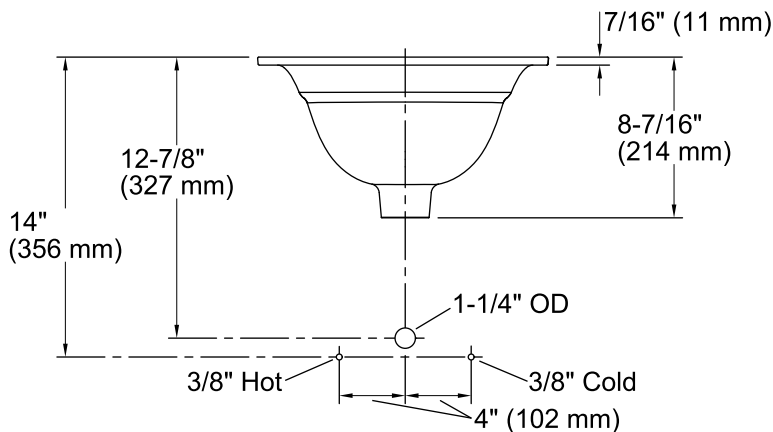
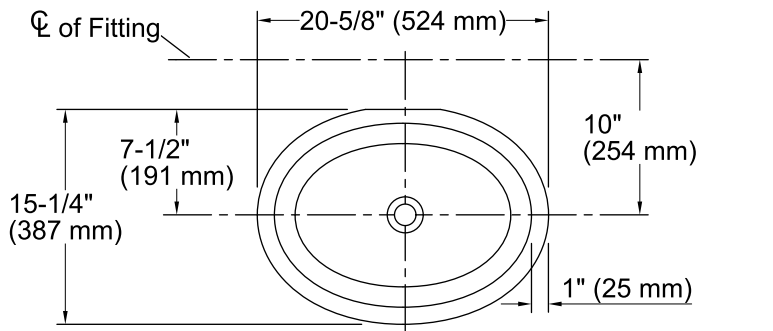
## Lifetime Limited Warranty for KOHLER® Cast Iron Components

See website for detailed warranty information.

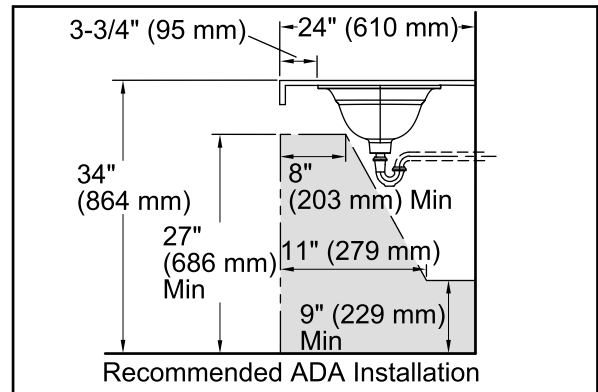
## Available Color/Finishes

*Color tiles intended for reference only.*

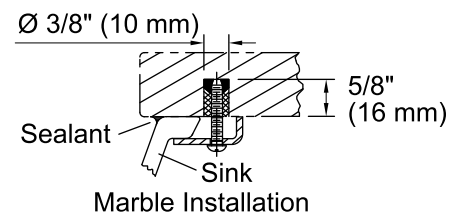
Color	Code	Description
	0	White
	FF	Sea Salt™
	96	Biscuit
	47	Almond
	FD	Cane Sugar™
	NY	Dune
	95	Ice™ Grey
	G9	Sandbar
	KC	Vapour™ Blue
	FT	Basalt
	KA	Black 'n Tan
	7	Black Black™



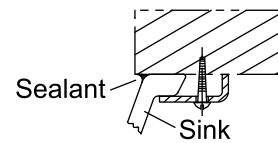
Standard Installation



Recommended ADA Installation



Marble Installation



Wood Counter Installation

### Technical Information

All product dimensions are nominal.

Bowl configuration:	Single
Installation:	Under-mount
Bowl area (Only):	Length: 17-3/4" (451 mm) Width: 12-3/4" (324 mm) Water depth: 6-7/16" (164 mm)
Drain hole:	1-5/8" (41 mm)
Template:	1039083-7, required, included

### Notes

Install this product according to the installation instructions.

Supplied basin clamp assemblies require 1" (25 mm) minimum countertop thickness. Installer must supply anchors for thinner countertops.

**NOTICE:** The countertop manufacturer or cutter must use the cutout template provided with the product, or a current one provided by the Kohler Co. (call 1-800-4KOHLER). Kohler Co. is not responsible for cutout errors when the incorrect cutout template is used.

ADA compliant when installed to the specific requirements of these regulations.