

### Features

- Glass.
- Under-mount.
- Oval basin with concentric ring styling.

### Recommended Accessories

- K-7107 Decorative Drain
- K-7108 Decorative Drain
- K-7129 Drain
- K-9018 P-Trap

### Components

Additional included component/s: Hardware Kit - 52047, and Drain Gasket Kit - 1070246.



ADA

### Codes/Standards





CSA B45.11/IAPMO Z401  
CSA B45.5/IAPMO Z124  
ADA  
ICC/ANSI A117.1

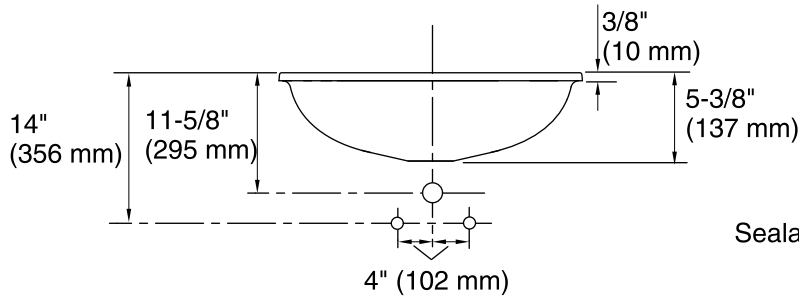
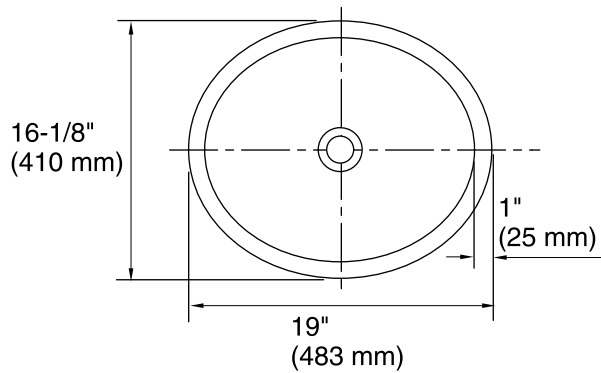
### KOHLER® One-Year Limited Warranty

See website for detailed warranty information.

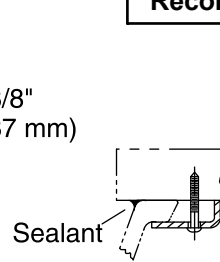
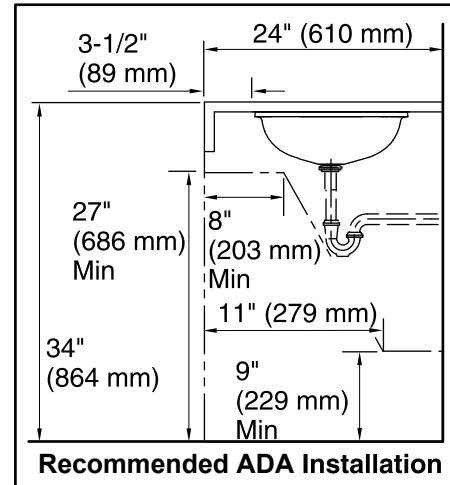
### Available Color/Finishes

*Color tiles intended for reference only.*

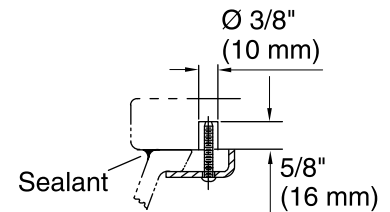
| Color  | Code | Description      |
|--|------|------------------|
|  | B11  | Ice              |
|  | TG1  | Translucent Dusk |
|  | TG2  | Translucent Dew  |
|  | TG3  | Translucent Doe  |
|  | TG6  |                  |
|  | TG7  |                  |
|  | TG8  |                  |



**Standard Installation**



**Wood Installation**



**Marble Installation**

## Technical Information

All product dimensions are nominal.

Bowl configuration: Single

Installation: Under-mount

Bowl area: Length: 17-3/16" (437 mm)  
Width: 14-3/16" (360 mm)  
Bowl depth: 4-3/4" (121 mm)  
Water depth: 4-3/4" (121 mm)

Template: 1151001-7, required, included

## Notes

Install this product according to the installation instructions.

**NOTICE:** Countertop manufacturer or cutter must use the cut-out template provided with the product, or a current one provided by Kohler Co. (call 1-800-4-KOHLER). Kohler Co. is not responsible for cutout errors when the incorrect cut-out template is used.

ADA compliant when installed to the specific requirements of these regulations.